

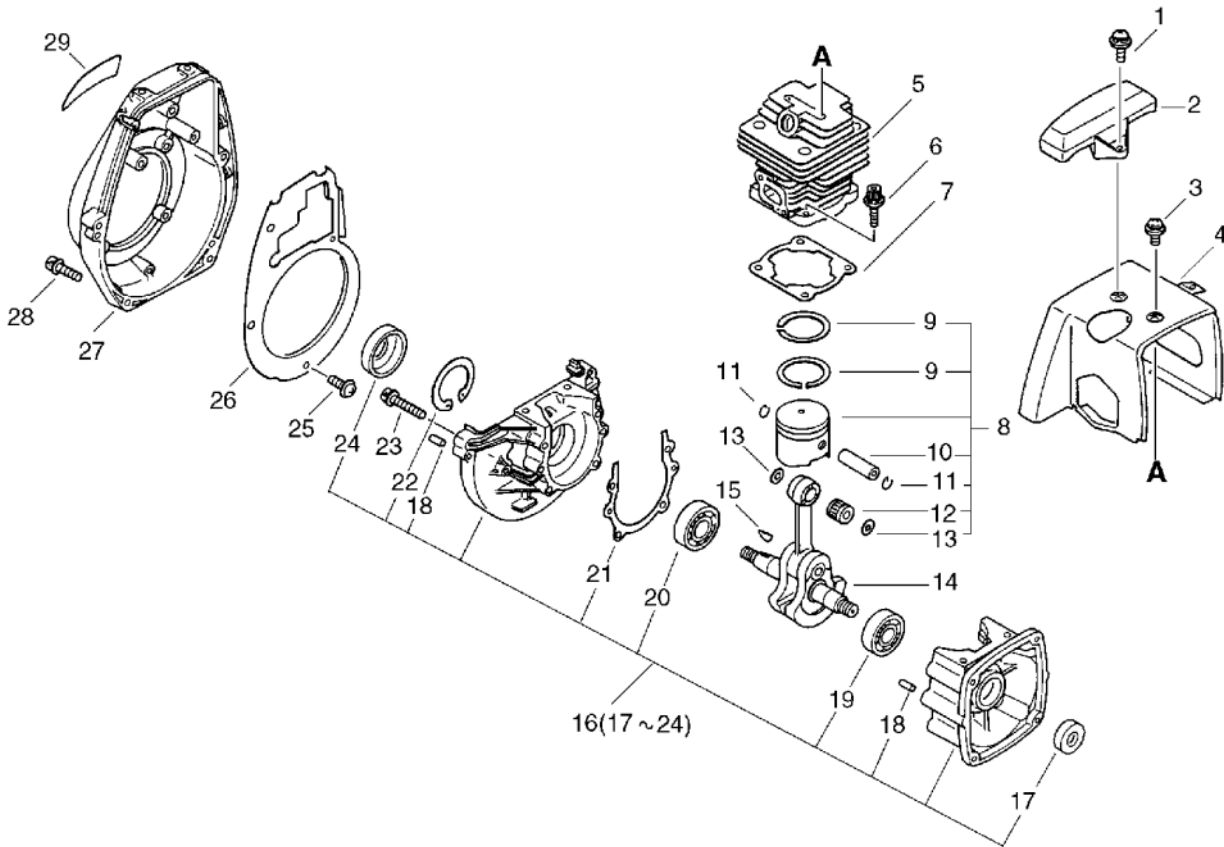


PARTS CATALOGUE

GRASS-TRIMMER / BRUSHCUTTER

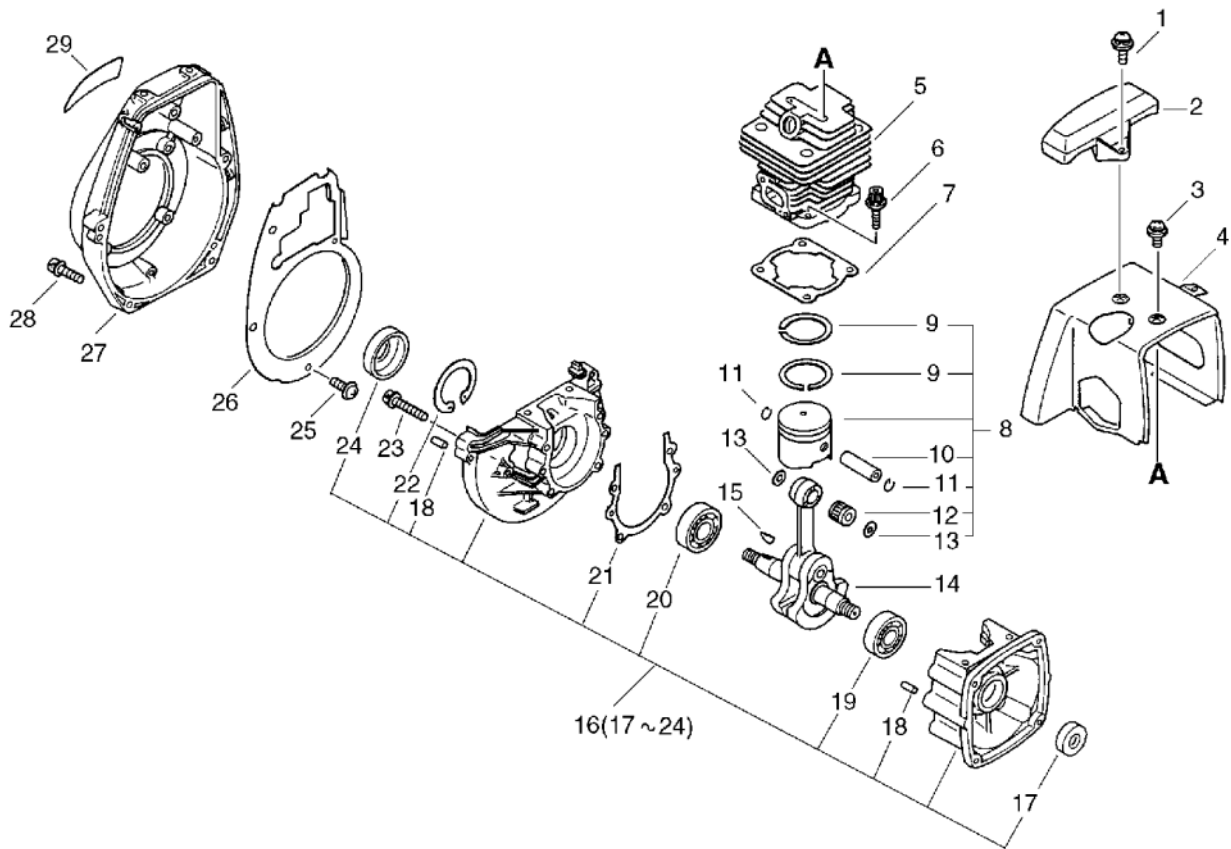
SRM-4605(6digits)

1. Cylinder, Crankcase, Piston, Fan Cover



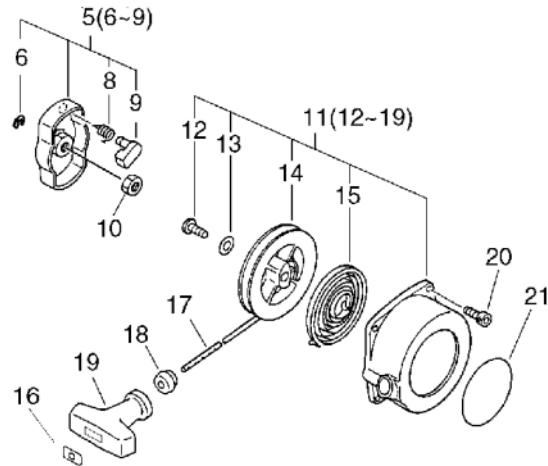
KEY	LV	PART NUMBER	Q'TY	DESCRIPTION	REMARKS	NOTE1	NOTE2
1		900238-05014	3	SCREW 5*14	5*14		
2		159905-43130	1	GUARD, TOP			
3		900238-05010	1	SCREW 5*10	5*10		
4		101514-42230	1	COVER, CYLINDER (BS)			
5		101011-47530	1	CYLINDER			
6		900162-05020	4	BOLT, H.S. 5*20	5*20 W,SW		
7		101010-42231	1	GASKET, CYL. BASE			
8		100000-43231	1	PISTON KIT			
9	+	100011-43230	2	RING, PISTON			
10	+	100013-00410	1	PIN, PISTON	6*10*29.8		
11	+	100015-00120	2	CIRCLIP, PISTON PIN			
12	+	100012-12331	1	BEARING, NEEDLE			
13	+	V307-000050	2	WASHER, CIRCULAR 10			
14		100100-43130	1	CRANKSHAFT ASSY			
15		100142-12330	1	KEY, WOODRUFF			
16		100204-42230	1	CRANKCASE KIT			
17	+	100212-27930	1	OILSEAL	ISD 12 25 7		
18	+	100215-02830	4	PIN, DOWEL			
19	+	94035-36201	1	BEARING BALL	6201X3JR2C3		
20	+	900810-36202	1	BEARING, BALL 6202	6202/C3		
21	+	100242-42230	1	GASKET, CRANKCASE			
22	+	900702-00035	1	CIRCLIP 35	CR-35		
24	+	100213-02830	1	OILSEAL	ISMX15,35,6		
23		900162-05030	4	BOLT, H.S. 5*30	5*30 W,SW		
25		900238-04010	4	SCREW 4*10	4*10		
26		101534-42230	1	PLATE, GUIDE			

1. Cylinder, Crankcase, Piston, Fan Cover



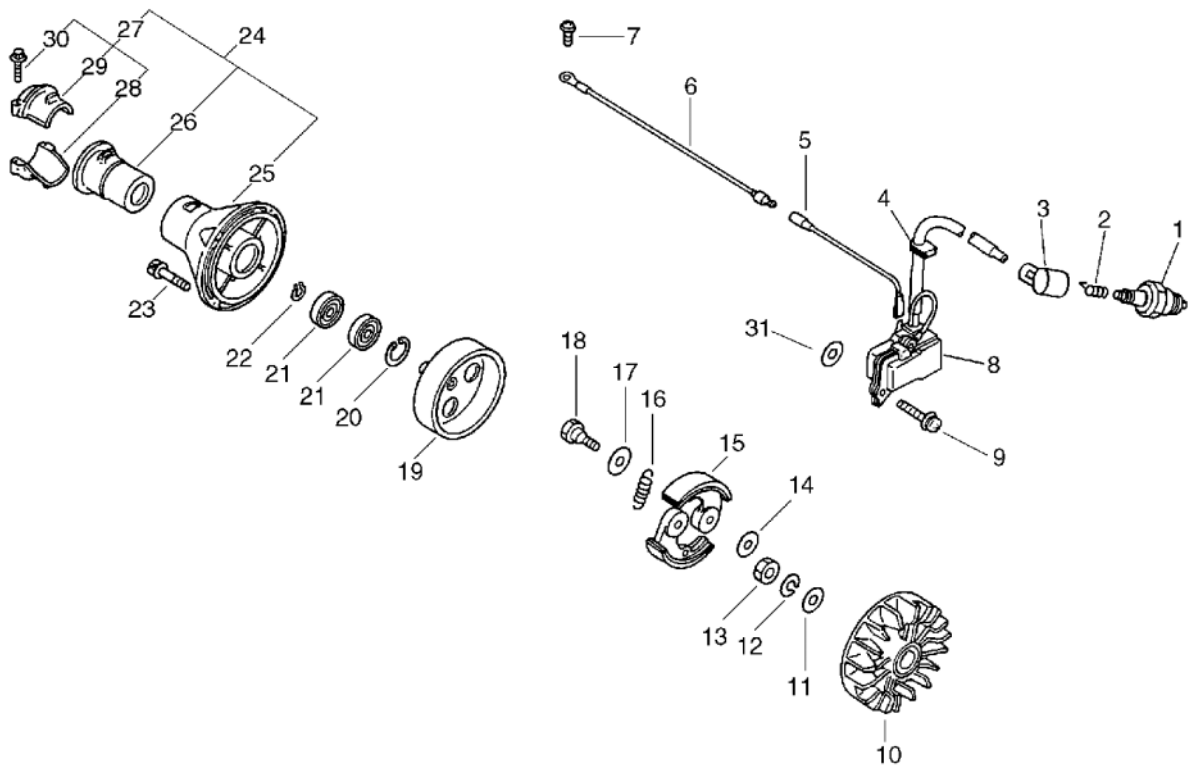
KEY	LV	PART NUMBER	Q'TY	DESCRIPTION	REMARKS	NOTE1	NOTE2
27		101511-42230	1	COVER, FAN (BS)			
28		91118-05025	4	BOLT	CM-5*25		
29		X547-001110	1	LABEL,ECHO	ECHO+SRM-4605		

2. Starter



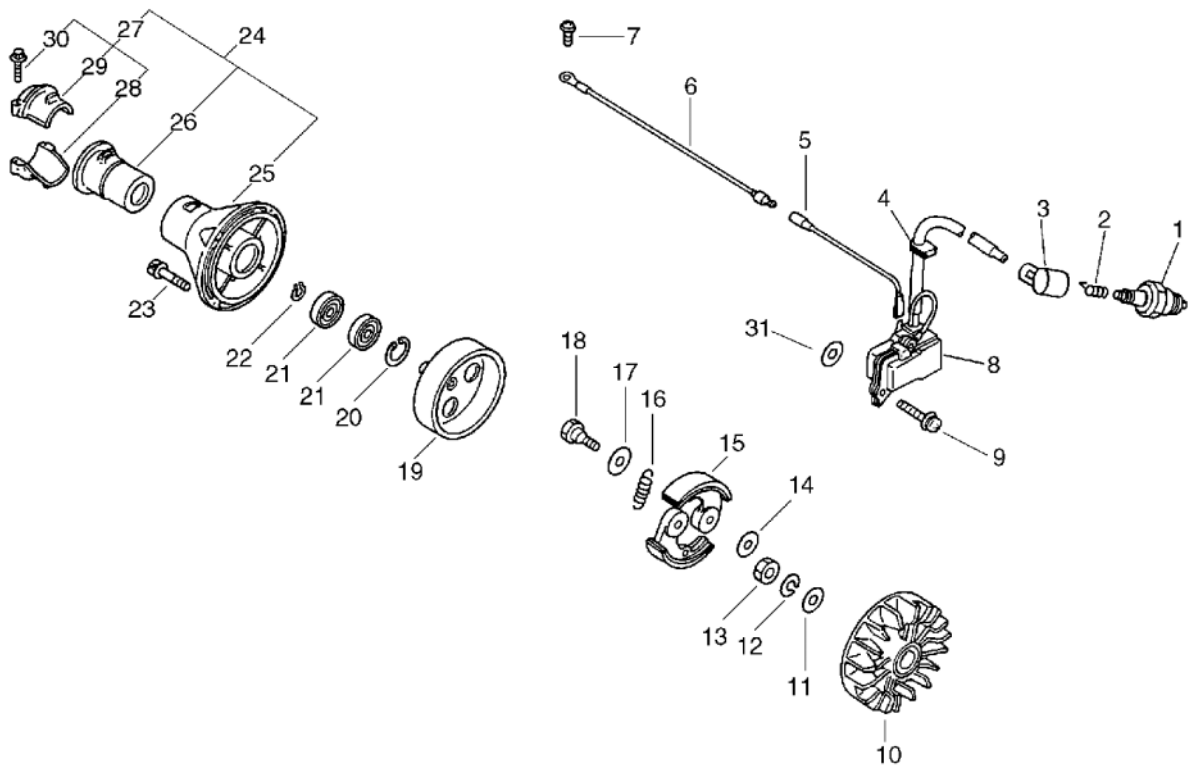
KEY	LV	PART NUMBER	Q'TY	DESCRIPTION	REMARKS	NOTE1	NOTE2
5		177202-41030	1	PAWL ASSY, STARTER			
6	+	900700-00004	1	E-RING 4	CE-4		
8	+	177234-40630	1	SPRING, RETURN			
9	+	177218-40630	1	PAWL, STARTER	WHITE		
10		900502-00008	1	NUT 8 (3N)	3N8		
11		A051-000170	1	STARTER.RECOIL			
12	+	177236-40630	1	SCREW			
13	+	177214-41030	1	WASHER			
14	+	177215-43130	1	DRUM, STARTER			
15	+	177220-40630	1	SPRING, REWIND			
16	+	177246-11120	1	CLIP, STARTER ROPE			
17	+	177226-01110	1	ROPE, STARTER	4.0*880		
18	+	177227-42030	1	GUIDE, ROPE			
19	+	177228-11120	1	GRIP, STARTER			
20		91118-04020	4	BOLT	CM-4*20		
21		X502-000450	1	LABEL,ECHO			

3. Magneto, Clutch



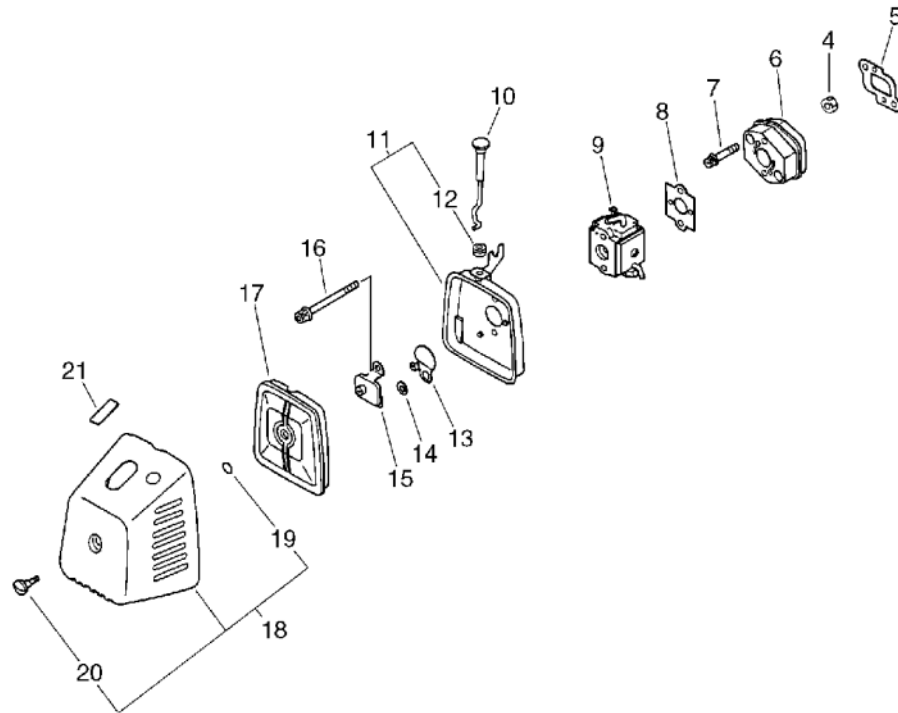
KEY	LV	PART NUMBER	Q'TY	DESCRIPTION	REMARKS	NOTE1	NOTE2
1		159017-10230	1	PLUG, SPARK (RCJ-7Y)	RCJ-7Y		
2		159011-03432	1	COIL, SPARK PLUG			
3		159012-01620	1	CAP, SPARK PLUG			
4		156112-40630	1	GROMMET			
5		162021-42230	1	LEAD			
6		156635-43130	1	LEAD, GROUND			
7		900238-05010	1	SCREW 5*10	5*10		
8		156601-12920	1	COIL,IGNITION			
9		900238-05020	2	SCREW 5*20	5*20		
10		156801-42230	1	FLYWHEEL			
11		900600-00010	1	WASHER 10	10		
12		900605-00010	1	WASHER, SPRING 10	10		
13		900503-00010	1	NUT 10 (3N *1.25)	3N10*P1.25		
14		175049-03920	2	WASHER			
15		175009-42231	2	SHOE, CLUTCH			
16		175018-42230	1	SPRING, CLUTCH			
17		175048-03920	2	WASHER			
18		175046-06230	2	BOLT, CLUTCH			
19		175005-43130	1	DRUM, CLUTCH			
20		900702-00028	1	CIRCLIP 28	CR-28		
21		900807-06001	2	BEARING, BALL 6001	6001V(LB)		
22		900701-00012	1	CIRCLIP 12	CS-12		
23		91118-05020	4	BOLT	CM-5*20		
24		P021-012920	1	CASE,CLUTCH ASY	SRM-4605		
25	+	610205-43131	1	CASE, CLUTCH DRUM			
26	+	610910-51830	1	CUSHION			

3. Magneto, Clutch



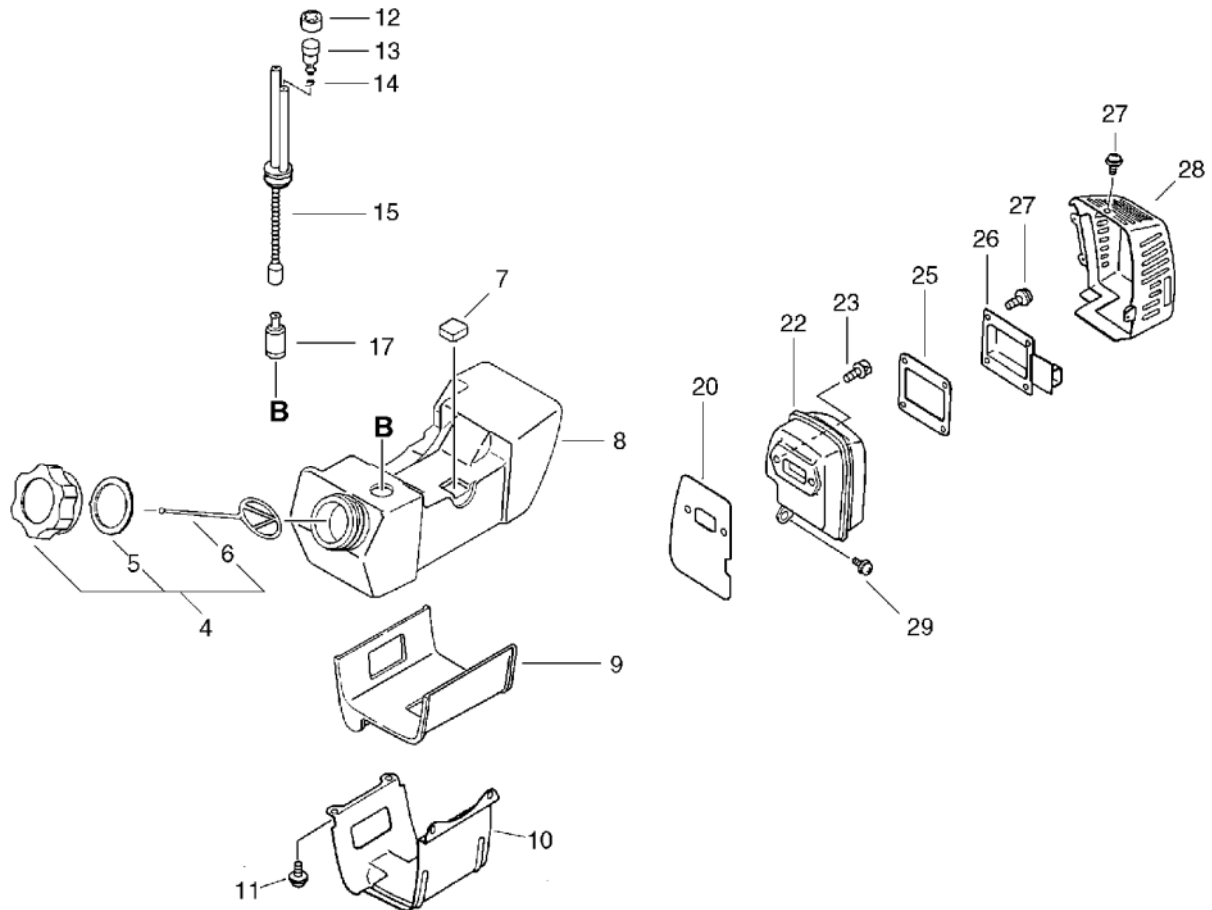
KEY	LV	PART NUMBER	Q'TY	DESCRIPTION	REMARKS	NOTE1	NOTE2
27	+	P021-012810	2	HOLDER KIT	SRM-4605		
28	++	610922-55630	1	HOLDER, PIPE			
29	++	610922-43130	1	HOLDER, MAIN PIPE			
30	++	91118-05025	2	BOLT	CM-5*25		
31		900600-00006	2	WASHER 6	6		

4. Air Cleaner, Carburetor



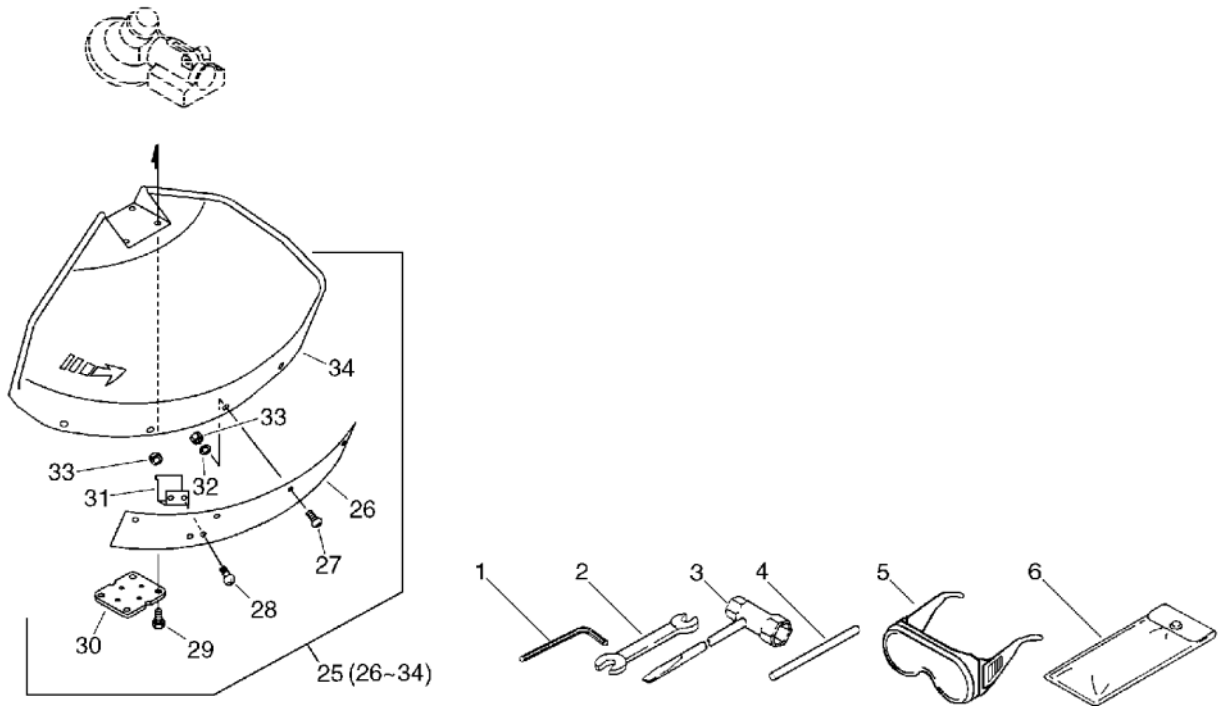
KEY	LV	PART NUMBER	Q'TY	DESCRIPTION	REMARKS	NOTE1	NOTE2
4		900500-00005	2	NUT 5	5		
5		130016-42231	1	GASKET, INTAKE			
6		130017-43130	1	INSULATOR			
7		900162-05025	2	BOLT, H.S. 5*25	5*25 W,SW		
8		130016-06232	1	GASKET, INTAKE			
9		123000-47532	1	CARBURETOR ASSY	WT-120B		
10		178510-47530	1	ROD, CHOKE			
11		130301-43130	1	CASE, AIR CLEANER			
12	+	178810-05230	1	GROMMET			
13		178515-43130	1	SHUTTER, CHOKE			
14		178516-00830	2	SPACER	5.2*8*0.8T		
15		129006-43130	1	PLATE			
16		900242-05057	2	SCREW 5*57	5*57		
17		130310-43130	1	FILTER, AIR			
18		130302-43132	1	COVER ASSY, AIR CLN.			
19	+	900720-00004	1	O-RING (P-4)	P-4		
20	+	130415-40630	1	SCREW			
21		890121-47530	1	LABEL, CHOKE			

5. Muffler, Fuel Tanks



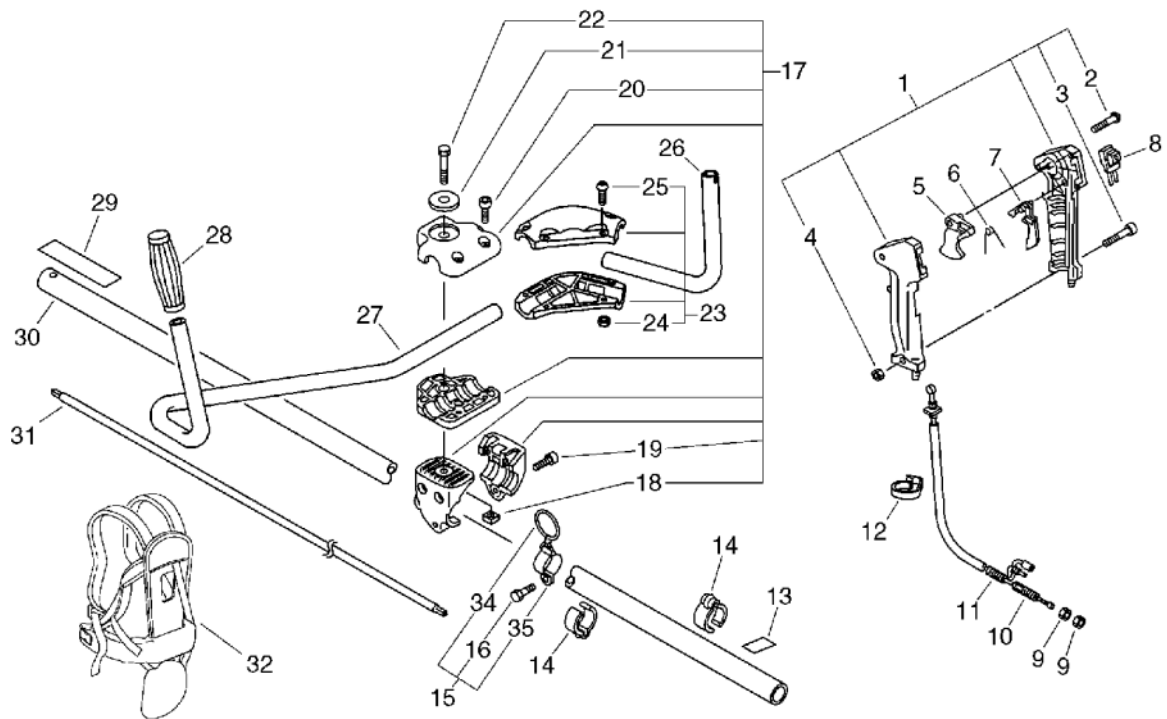
KEY	LV	PART NUMBER	Q'TY	DESCRIPTION	REMARKS	NOTE1	NOTE2
4		131004-55530	1	CAP ASSY, FUEL TANK			
5	+	131016-55830	1	GASKET, FUEL CAP			
6	+	131051-56030	1	CLIP, FUEL CAP	100L		
7		131923-11120	3	CUSHION			
8		131010-46931	1	TANK, FUEL			
9		131924-43130	1	CUSHION			
10		131910-43130	1	BRACKET, FUEL TANK (BL)			
11		900238-05014	2	SCREW 5*14	5*14		
12		131328-40630	1	COVER, VENT			
13		131300-56430	1	VALVE, CHECK			
14		132013-26630	1	CLIP	6.5MM		
15		132010-43130	1	PIPE, FUEL (INNER)	NBR		
17		131205-19831	1	STRAINER, FUEL			
20		145510-42231	1	GASKET, MUFFLER			
22		145610-47530	1	MUFFLER			
23		900162-05020	2	BOLT, H.S. 5*20	5*20 W, SW		
25		145866-43131	1	GASKET, MUFFLER LID			
26		145867-47530	1	LID, MUFFLER			
27		900238-04010	7	SCREW 4*10	4*10		
28		145871-43130	1	COVER, MUFFLER			
29		900238-05014	1	SCREW 5*14	5*14		

6. Blade Shield



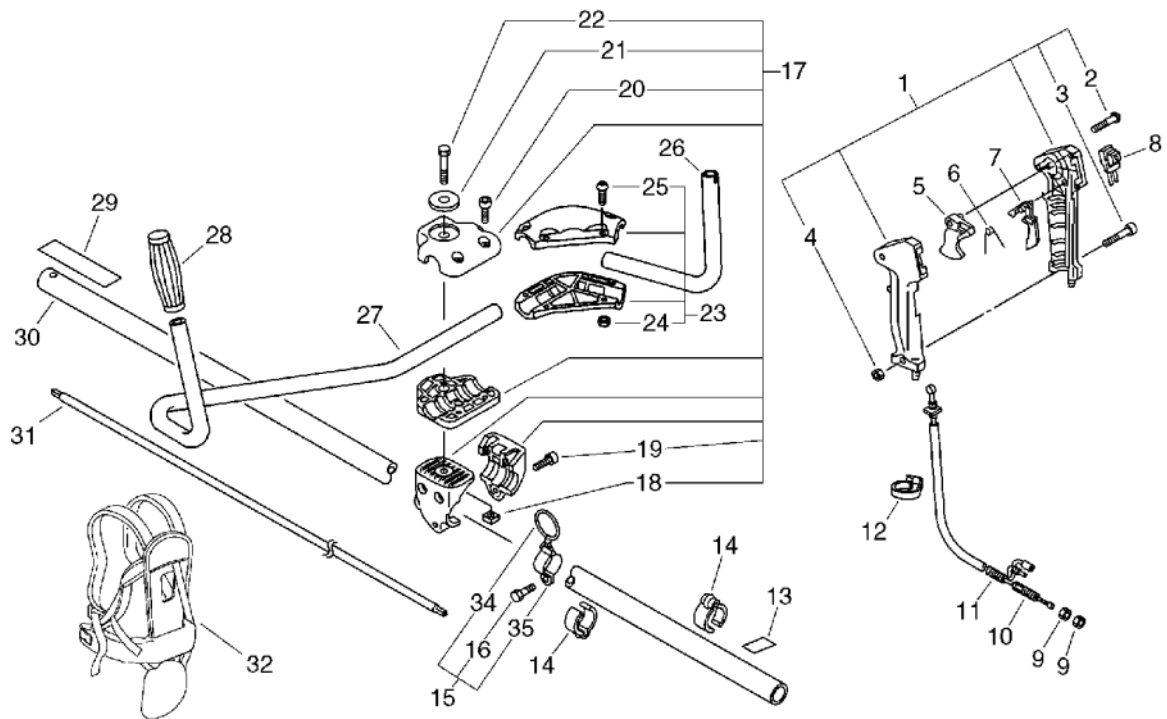
KEY	LV	PART NUMBER	Q'TY	DESCRIPTION	REMARKS	NOTE1	NOTE2
1		895610-00130	1	L-WRENCH (4MM)			
2		895112-00330	1	SPANNER 8*10			
3		X602-000020	1	TOOL,WRENCH	17*19 L200		
4		897518-01131	1	LOCKING TOOL			
5		P021-002861	1	GOGGLES			
6		898510-39130	1	BAG, TOOL			
25		699000-52931	1	SHIELD ASY			
26	+	699013-52130	1	PLATE, SHIELD			
27	+	91118-05018	4	BOLT	CM-5*18		
28	+	91118-05014	2	BOLT			
29	+	91118-05025	4	BOLT	CM-5*25		
30	+	699013-56830	1	PLATE, SHIELD			
31	+	699016-54530	1	KNIFE			
32	+	900603-00005	4	WASHER 5	5.5*12*0.8		
33	+	900500-00005	6	NUT 5	5		
34	+	699010-52931	1	SHIELD, BLADE			

7. U-Handle



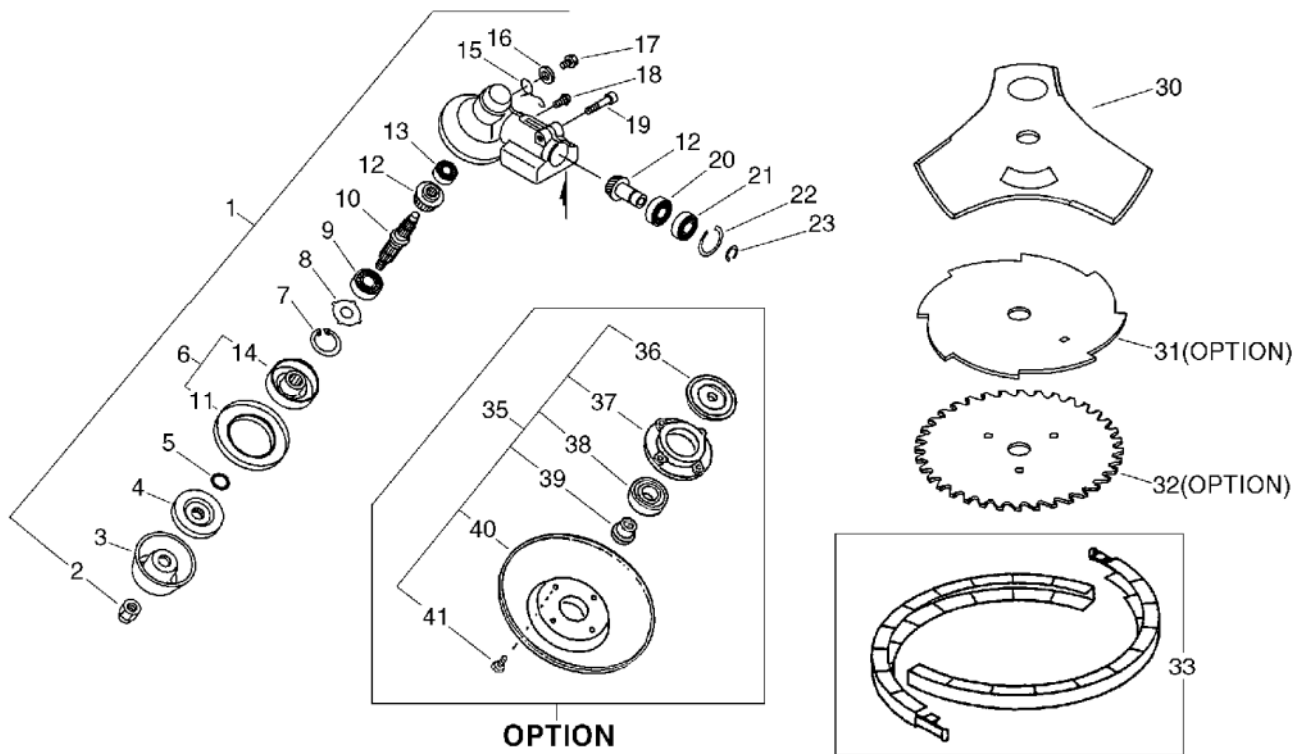
KEY	LV	PART NUMBER	Q'TY	DESCRIPTION	REMARKS	NOTE1	NOTE2
1		351102-47530	1	GRIP ASSY, F-HANDLE			
2	+	900246-03025	4	SCREW 3*25	3*25		
3	+	900220-05030	1	SCREW 5*30	5*30		
4	+	900500-00005	1	NUT 5	5		
5		178010-05960	1	CONTROL, THROTTLE			
6		178013-35631	1	SPRING, THR. LOCK			
7		178012-05960	1	LOCKOUT, THROTTLE			
8		163401-43130	1	SWITCH, IGNITION			
9		900502-00006	2	NUT 6 (3N)	3N6		
10		178001-43230	1	WIRE, THROTTLE			
11		178127-43230	1	TUBE	7*820		
12		159112-09961	1	CLIP			
13		890152-04930	1	LABEL, CAUTION			
14		224924-52930	2	CLIP	28MM		
15		301200-05230	1	HOOK ASS'Y			
16	+	91119-05012	1	BOLT	CB-5*12		
34	+	301015-05330	1	HOOK, BAND			
35	+	301210-04630	1	HOOK			
17		351301-52930	1	BRACKET ASSY, HANDLE			
18	+	900565-50008	1	NUT	8*1.25		
19	+	91118-05030	3	BOLT			
20	+	91118-05020	2	BOLT	CM-5*20		
21	+	605014-54230	1	WASHER			
22	+	351421-52130	1	BOLT			
23		P021-012781	1	FIXTURE,ASY HANDLE			
24	+	900500-00005	4	NUT 5	5		

7. U-Handle



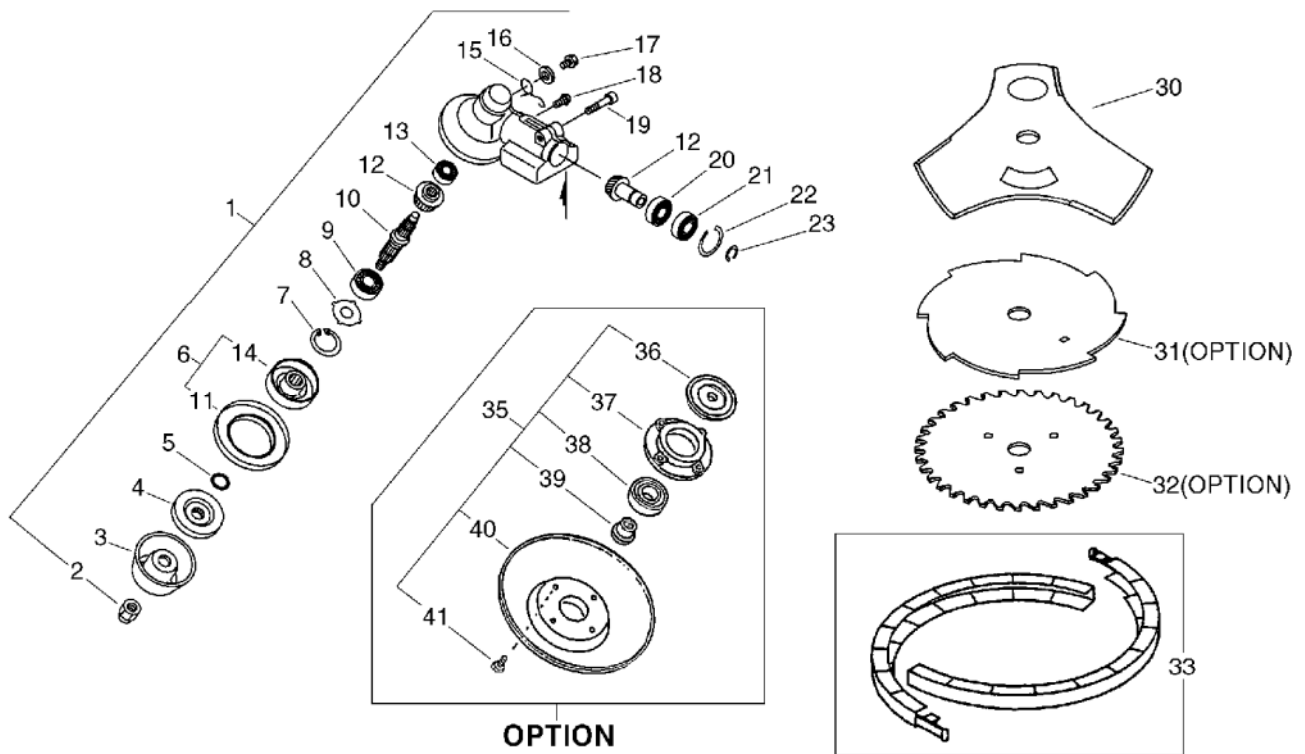
KEY	LV	PART NUMBER	Q'TY	DESCRIPTION	REMARKS	NOTE1	NOTE2
25	+	91118-05022	4	BOLT	CM-5*22		
26		351214-52931	1	HANDLE			
27		351010-52931	1	HANDLE, FRONT			
28		351311-22431	1	GRIP, HANDLE			
29		890617-43130	1	LABEL, CAUTION			
30		610206-43130	1	HOUSING ASSY, D.SHFT			
31		610011-06230	1	SHAFT, DRIVE			
32		C062-000192	1	HARNESS, SHOULDER			

8. Gear, Blade



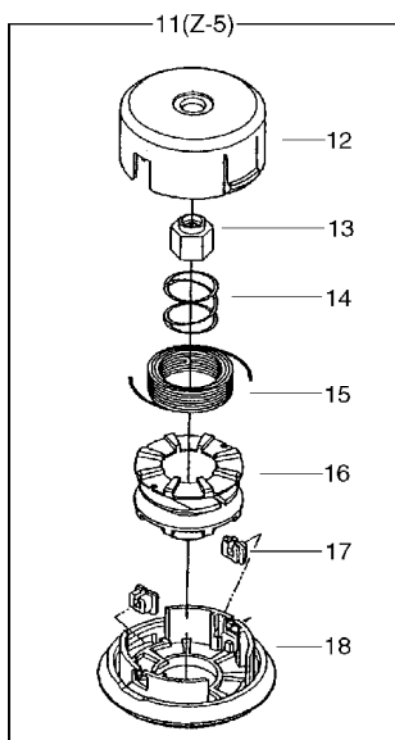
KEY	LV	PART NUMBER	Q'TY	DESCRIPTION	REMARKS	NOTE1	NOTE2
1		610400-56932	2	CASE ASY, GEAR			
2	+	610320-52130	1	NUT 10			
3	+	699229-56830	1	PLATE, COVER			
4	+	610314-52130	1	PLATE, ADAPTER (L)			
5	+	900720-00012	1	O-RING 12	P-12		
6	+	C535-000001	1	FIXTURE, BLADE			
11	++	610352-56830	1	PLATE, CUP			
14	++	C535-000011	1	FIXTURE, BLADE			
7	+	900702-00032	1	CIRCLIP 32	CR-32		
8	+	610444-56830	1	WASHER			
9	+	900812-06201	1	BEARING, BALL 6201	6201DDU(LLU)		
10	+	610310-56930	1	SHAFT, P.T.O.			
12	+	610300-56930	1	GEAR SET			
13	+	900810-00629	1	BEARING, BALL 629	629		
15	+	610473-52131	1	SPRING			
16	+	900603-50008	1	WASHER	8.5*18*0.8T		
17	+	610434-50031	1	BOLT 8*8	M8*8		
18	+	900242-05010	1	SCREW 5*10	5*10		
19	+	91118-06030	1	BOLT	CM-6*30		
20	+	900800-06001	1	BEARING, BALL 6001	6001		
21	+	900803-06001	1	BEARING, BALL 6001	6001Z		
22	+	900702-00028	1	CIRCLIP 28	CR-28		
23	+	900701-00012	1	CIRCLIP 12	CS-12		
30		X405-000001	1	SAW, BUSH CUTTER	3*255*25.4*T2.0		

8. Gear, Blade



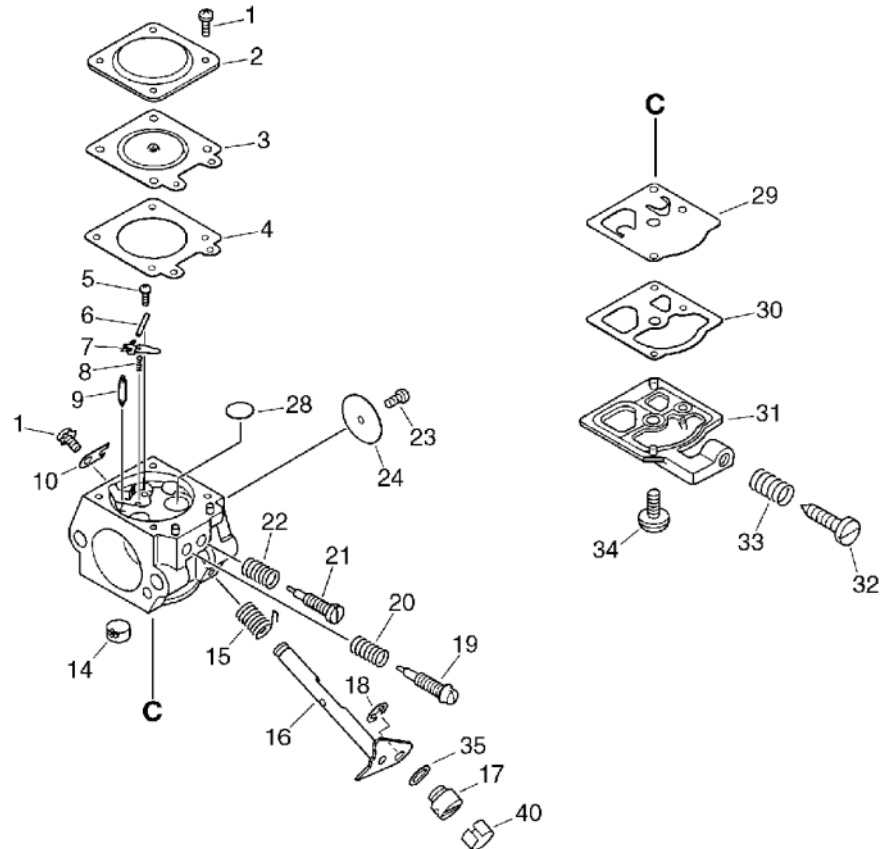
KEY	LV	PART NUMBER	Q'TY	DESCRIPTION	REMARKS	NOTE1	NOTE2
31		696001-55631	1	BLADE, 8-CUTTER 10IN	255*8T*1.4 PD25		
32		695001-55631	1	SAW, CIRCULAR 10*80T	255*80T*1.4 PD25		
33		P021-007470	1	SCABBARD, BLADE			
35		699200-56830	1	CAP ASSY, FREE			
36	+	610313-56830	1	PLATE, ADAPTER (U)			
37	+	699226-05430	1	HOLDER, BEARING			
38	+	900814-06202	1	BEARING, BALL 6202	6202ZZ		
39	+	699227-04630	1	NUT			
40	+	699228-08930	1	PLATE, COVER			
41	+	900141-05012	4	BOLT 5*12	5*12		

9. Nylon Line Head



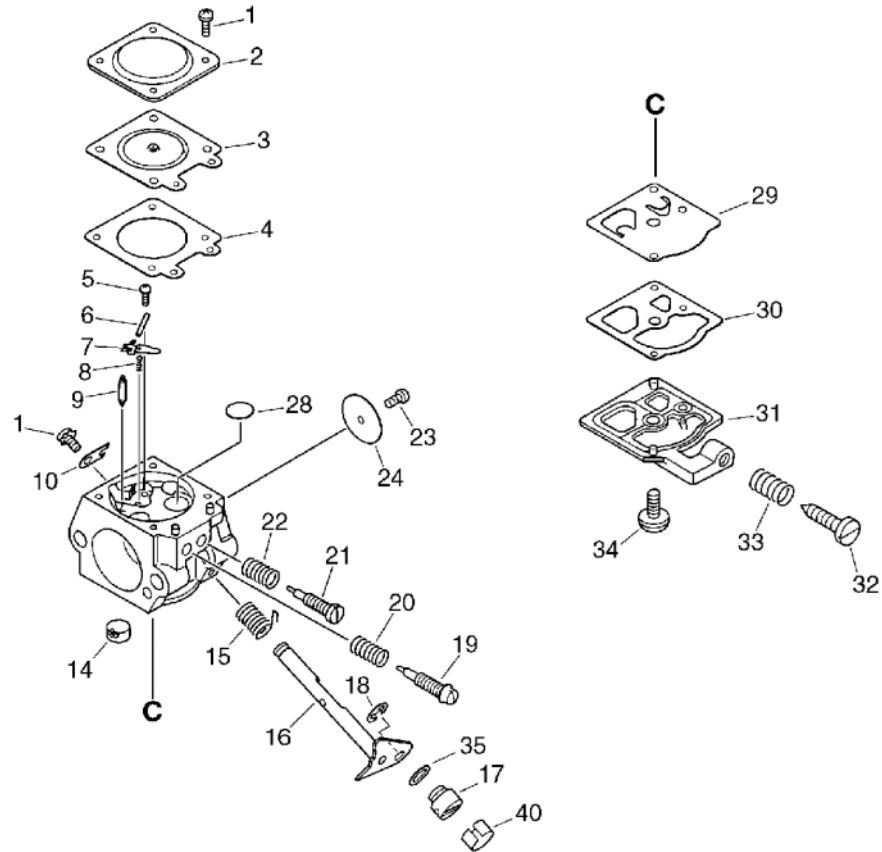
KEY	LV	PART NUMBER	Q'TY	DESCRIPTION	REMARKS	NOTE1	NOTE2
11		X047-000330	1	CUTTER,ASM LINE	Z-5 M10 L		
12	+	P022-010420	1	HOUSING			
13	+	P022-010390	1	NUT			
14	+	P022-010370	1	SPRING			
15	+	P022-010380	1	NYLON CODE			
16	+	P022-010400	1	BOBBIN			
17	+	P022-000710	2	EYELET	T4		
18	+	P022-010410	1	COVER			

10. Carburettor



KEY	LV	PART NUMBER	Q'TY	DESCRIPTION	REMARKS	NOTE1	NOTE2
		123000-47532	1	CARBURETOR ASSY	WT-120B		
1	+	123130-02960	5	SCREW			
2	+	123142-03930	1	COVER, M. DIAPHRAGM			
3	+	123141-03930	1	DIAPHRAGM, METERING			
4	+	123140-03930	1	GASKET, M. DIAPHRAGM			
5	+	123139-03930	1	SCREW, M. LEVER PIN			
6	+	123138-03930	1	PIN, METERING LEVER			
7	+	123123-03930	1	LEVER, METERING			
8	+	123122-47530	1	SPRING, METER. LEVER			
9	+	123137-04260	1	VALVE, INLET NEEDLE			
10	+	123127-03930	1	CLIP, THROTTLE SHAFT			
14	+	123126-10631	1	SCREEN, INLET			
15	+	123113-47530	1	SPRING, THR. RTN.			
16	+	123117-05020	1	SHAFT, THROTTLE			
17	+	123172-26030	1	SWIVEL			
18	+	123173-07930	1	CLIP			
19	+	123120-47530	1	NEEDLE, HIGH SPEED			
20	+	123119-22130	1	SPRING, NEEDLE			
21	+	123118-40430	1	NEEDLE, IDLE			
22	+	123121-22130	1	SPRING, NEEDLE			
23	+	123114-38830	1	SCREW			
24	+	123116-10530	1	VALVE, THROTTLE			
28	+	123146-10631	1	PLUG, WELCH			
29	+	123112-15030	1	DIAPHRAGM, FUEL PUMP			
30	+	123125-15030	1	GASKET, FUEL PUMP			
31	+	123124-24430	1	COVER, FUEL PUMP			

10. Carburettor



KEY	LV	PART NUMBER	Q'TY	DESCRIPTION	REMARKS	NOTE1	NOTE2
32	+	123134-04260	1	SCREW, IDLE ADJUST			
33	+	123133-06320	1	SPRING, IDLE ADJUST			
34	+	123110-03930	1	SCREW, PUMP COVER			
35	+	123149-26030	1	WASHER			
40		101121-56430	1	SPRING, FLAT			

Index

Patrs Number	Key No.	Patrs Number	Key No.	Patrs Number	Key No.
100000-43231	1 - 8	129006-43130	4 - 15	177228-11120	2 - 19
100011-43230	1 - 9	130016-06232	4 - 8	177234-40630	2 - 8
100012-12331	1 - 12	130016-42231	4 - 5	177236-40630	2 - 12
100013-00410	1 - 10	130017-43130	4 - 6	177246-11120	2 - 16
100015-00120	1 - 11	130301-43130	4 - 11	178001-43230	7 - 10
100100-43130	1 - 14	130302-43132	4 - 18	178010-05960	7 - 5
100142-12330	1 - 15	130310-43130	4 - 17	178012-05960	7 - 7
100204-42230	1 - 16	130415-40630	4 - 20	178013-35631	7 - 6
100212-27930	1 - 17	131004-55530	5 - 4	178127-43230	7 - 11
100213-02830	1 - 24	131010-46931	5 - 8	178510-47530	4 - 10
100215-02830	1 - 18	131016-55830	5 - 5	178515-43130	4 - 13
100242-42230	1 - 21	131051-56030	5 - 6	178516-00830	4 - 14
101010-42231	1 - 7	131205-19831	5 - 17	178810-05230	4 - 12
101011-47530	1 - 5	131300-56430	5 - 13	224924-52930	7 - 14
101121-56430	10 - 40	131328-40630	5 - 12	301015-05330	7 - 34
101511-42230	1 - 27	131910-43130	5 - 10	301200-05230	7 - 15
101514-42230	1 - 4	131923-11120	5 - 7	301210-04630	7 - 35
101534-42230	1 - 26	131924-43130	5 - 9	351010-52931	7 - 27
123000-47532	10 -	132010-43130	5 - 15	351102-47530	7 - 1
123000-47532	4 - 9	132013-26630	5 - 14	351214-52931	7 - 26
123110-03930	10 - 34	145510-42231	5 - 20	351301-52930	7 - 17
123112-15030	10 - 29	145610-47530	5 - 22	351311-22431	7 - 28
123113-47530	10 - 15	145866-43131	5 - 25	351421-52130	7 - 22
123114-38830	10 - 23	145867-47530	5 - 26	605014-54230	7 - 21
123116-10530	10 - 24	145871-43130	5 - 28	610011-06230	7 - 31
123117-05020	10 - 16	156112-40630	3 - 4	610205-43131	3 - 25
123118-40430	10 - 21	156601-12920	3 - 8	610206-43130	7 - 30
123119-22130	10 - 20	156635-43130	3 - 6	610300-56930	8 - 12
123120-47530	10 - 19	156801-42230	3 - 10	610310-56930	8 - 10
123121-22130	10 - 22	159011-03432	3 - 2	610313-56830	8 - 36
123122-47530	10 - 8	159012-01620	3 - 3	610314-52130	8 - 4
123123-03930	10 - 7	159017-10230	3 - 1	610320-52130	8 - 2
123124-24430	10 - 31	159112-09961	7 - 12	610352-56830	8 - 11
123125-15030	10 - 30	159905-43130	1 - 2	610400-56932	8 - 1
123126-10631	10 - 14	162021-42230	3 - 5	610434-50031	8 - 17
123127-03930	10 - 10	163401-43130	7 - 8	610444-56830	8 - 8
123130-02960	10 - 1	175005-43130	3 - 19	610473-52131	8 - 15
123133-06320	10 - 33	175009-42231	3 - 15	610910-51830	3 - 26
123134-04260	10 - 32	175018-42230	3 - 16	610922-43130	3 - 29
123137-04260	10 - 9	175046-06230	3 - 18	610922-55630	3 - 28
123138-03930	10 - 6	175048-03920	3 - 17	695001-55631	8 - 32
123139-03930	10 - 5	175049-03920	3 - 14	696001-55631	8 - 31
123140-03930	10 - 4	177202-41030	2 - 5	699000-52931	6 - 25
123141-03930	10 - 3	177214-41030	2 - 13	699010-52931	6 - 34
123142-03930	10 - 2	177215-43130	2 - 14	699013-52130	6 - 26
123146-10631	10 - 28	177218-40630	2 - 9	699013-56830	6 - 30
123149-26030	10 - 35	177220-40630	2 - 15	699016-54530	6 - 31
123172-26030	10 - 17	177226-01110	2 - 17	699200-56830	8 - 35
123173-07930	10 - 18	177227-42030	2 - 18	699226-05430	8 - 37

Index

Patrs Number	Key No.	Patrs Number	Key No.	Patrs Number	Key No.
699227-04630	8 - 39	900800-06001	8 - 20		
699228-08930	8 - 40	900803-06001	8 - 21		
699229-56830	8 - 3	900807-06001	3 - 21		
890121-47530	4 - 21	900810-00629	8 - 13		
890152-04930	7 - 13	900810-36202	1 - 20		
890617-43130	7 - 29	900812-06201	8 - 9		
895112-00330	6 - 2	900814-06202	8 - 38		
895610-00130	6 - 1	91118-04020	2 - 20		
897518-01131	6 - 4	91118-05014	6 - 28		
898510-39130	6 - 6	91118-05018	6 - 27		
900141-05012	8 - 41	91118-05020	3 - 23		
900162-05020	1 - 6	91118-05020	7 - 20		
900162-05020	5 - 23	91118-05022	7 - 25		
900162-05025	4 - 7	91118-05025	1 - 28		
900162-05030	1 - 23	91118-05025	3 - 30		
900220-05030	7 - 3	91118-05025	6 - 29		
900238-04010	1 - 25	91118-05030	7 - 19		
900238-04010	5 - 27	91118-06030	8 - 19		
900238-05010	1 - 3	91119-05012	7 - 16		
900238-05010	3 - 7	94035-36201	1 - 19		
900238-05014	1 - 1	A051-000170	2 - 11		
900238-05014	5 - 11	C062-000192	7 - 32		
900238-05014	5 - 29	C535-000001	8 - 6		
900238-05020	3 - 9	C535-000011	8 - 14		
900242-05010	8 - 18	P021-002861	6 - 5		
900242-05057	4 - 16	P021-007470	8 - 33		
900246-03025	7 - 2	P021-012781	7 - 23		
900500-00005	4 - 4	P021-012810	3 - 27		
900500-00005	6 - 33	P021-012920	3 - 24		
900500-00005	7 - 4	P022-000710	9 - 17		
900500-00005	7 - 24	P022-010370	9 - 14		
900502-00006	7 - 9	P022-010380	9 - 15		
900502-00008	2 - 10	P022-010390	9 - 13		
900503-00010	3 - 13	P022-010400	9 - 16		
900565-50008	7 - 18	P022-010410	9 - 18		
900600-00006	3 - 31	P022-010420	9 - 12		
900600-00010	3 - 11	V307-000050	1 - 13		
900603-00005	6 - 32	X047-000330	9 - 11		
900603-50008	8 - 16	X405-000001	8 - 30		
900605-00010	3 - 12	X502-000450	2 - 21		
900700-00004	2 - 6	X547-001110	1 - 29		
900701-00012	3 - 22	X602-000020	6 - 3		
900701-00012	8 - 23				
900702-00028	3 - 20				
900702-00028	8 - 22				
900702-00032	8 - 7				
900702-00035	1 - 22				
900720-00004	4 - 19				
900720-00012	8 - 5				

YAMABIKO CORPORATION

7-2 SUEHIROCHO 1-CHOME, OHME, TOKYO 198-8760, JAPAN
PHONE: 81-428-32-6118. FAX: 81-428-32-6145.



its)
No.