



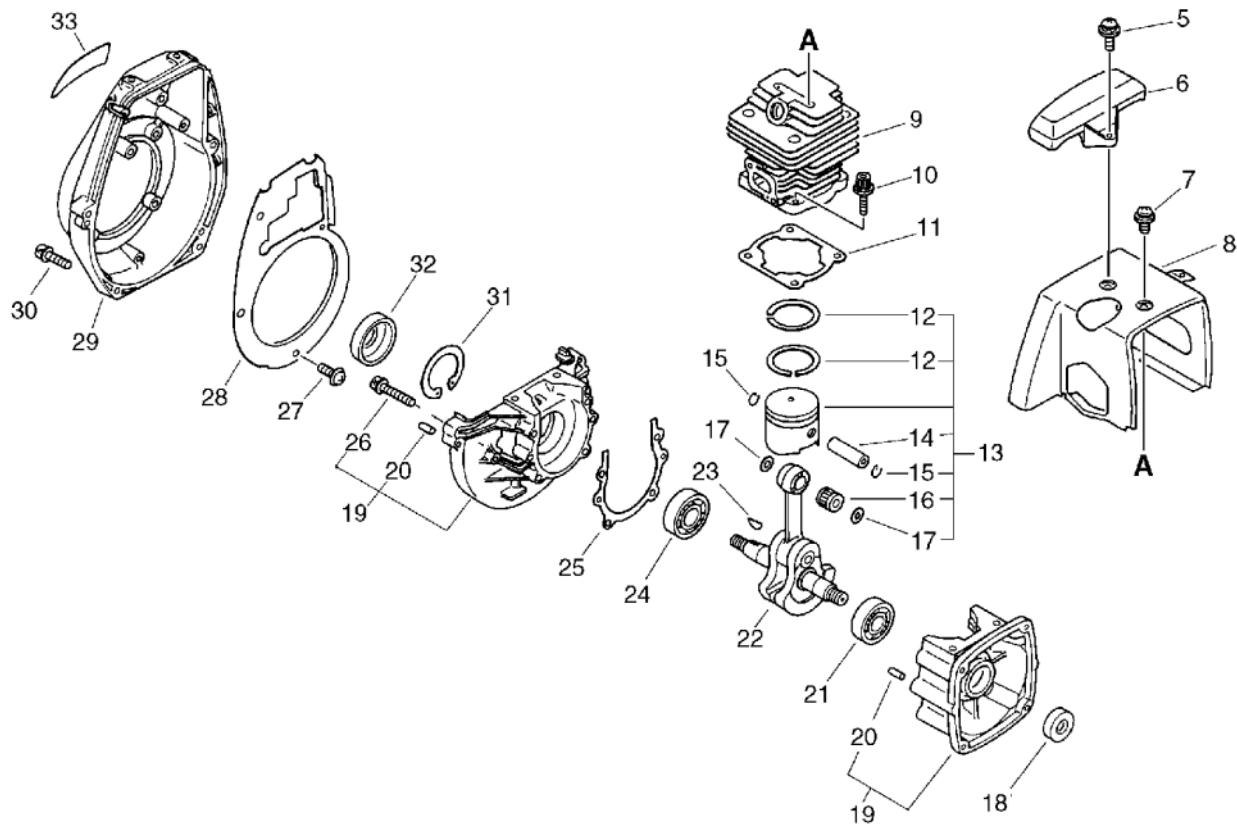
PARTS CATALOGUE

GRASS-TRIMMER / BRUSHCUTTER

SRM-4600

1. Cylinder, Crankcase, Piston, Fan Cover

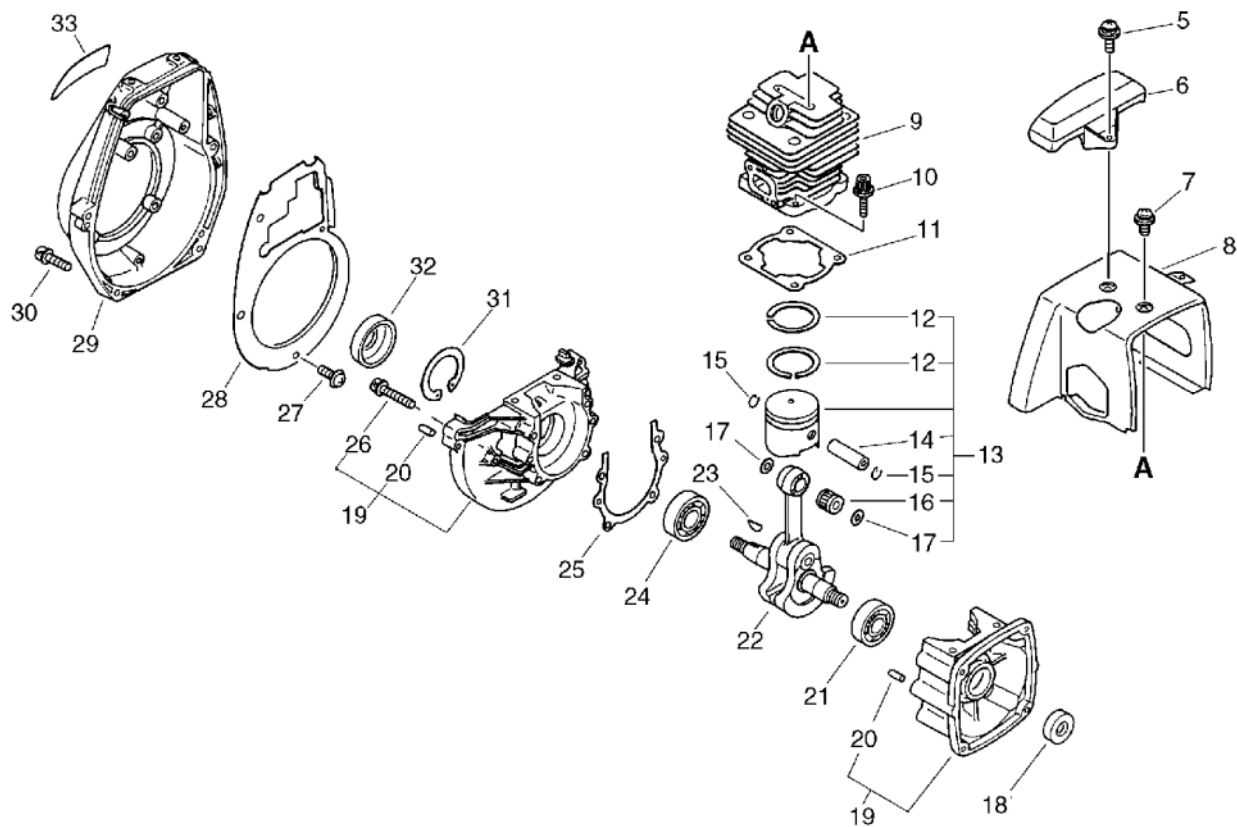
No.1



KEY	LV	PART NUMBER	Q'TY	DESCRIPTION	REMARKS	NOTE1	NOTE2
5		900238-05014	3	SCREW 5*14	5*14		
6		159905-43130	1	GUARD, TOP			
7		900238-05010	1	SCREW 5*10	5*10		
8		101514-42230	1	COVER, CYLINDER (BS)			
9		101011-47530	1	CYLINDER			
10		900162-05020	4	BOLT, H.S. 5*20	5*20 W,SW		
11		101010-42231	1	GASKET, CYL. BASE			
13		100000-43230	1	PISTON KIT		Sus. by 100000-43231	
13		100000-43231	1	PISTON KIT			
12	+	100011-43230	2	RING, PISTON			
14	+	100013-00410	1	PIN, PISTON	6*10*29.8		
15	+	100015-00120	2	CIRCLIP, PISTON PIN			
16	+	100012-27930	1	BEARING, NEEDLE		Sus. by 100012-12331	
16	+	100012-12331	1	BEARING, NEEDLE			
17	+	100014-17330	2	SPACER, PISTON PIN		Sus. by V307-000050	
17	+	V307-000050	2	WASHER,CIRCULAR 10			
18		100212-27930	1	OILSEAL	ISD 12 25 7		
19		100200-42230	1	CRANKCASE SET			
20	+	100215-02830	4	PIN, DOWEL			
26	+	900162-05030	4	BOLT, H.S. 5*30	5*30 W,SW		
21		900810-36201	1	BEARING, BALL 6201	6201/C3	Sus. by 94035-36201	
21		94035-36201	1	BEARING BALL	6201X3JR2C3		

1. Cylinder, Crankcase, Piston, Fan Cover

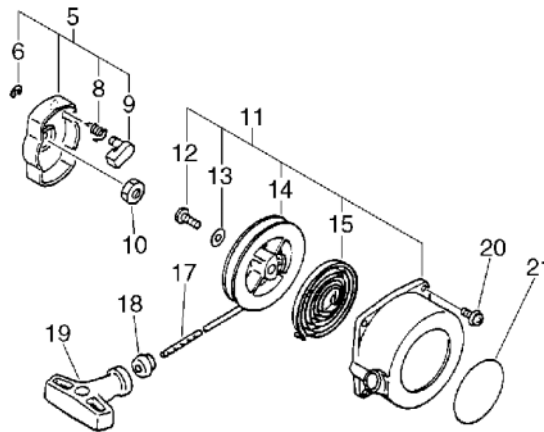
No.1



KEY	LV	PART NUMBER	Q'TY	DESCRIPTION	REMARKS	NOTE1	NOTE2
22		100100-43130	1	CRANKSHAFT ASSY			
23		100142-12330	1	KEY, WOODRUFF			
24		900810-36202	1	BEARING, BALL 6202	6202/C3		
25		100242-42230	1	GASKET, CRANKCASE			
27		900238-04010	4	SCREW 4*10	4*10		
28		101534-42230	1	PLATE, GUIDE			
29		101511-42230	1	COVER, FAN (BS)			
30		900162-05025	4	BOLT, H.S. 5*25	5*25 W,SW		
31		900702-00035	1	CIRCLIP 35	CR-35		
32		100213-02830	1	OILSEAL	ISMx15,35,6		
33		890112-43230	1	LABEL, MODEL			

2. Starter

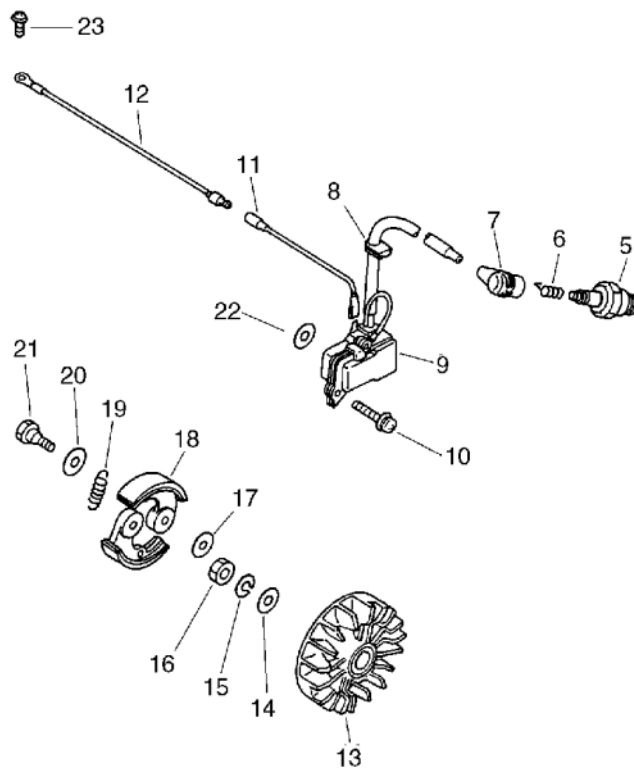
No.2



KEY	LV	PART NUMBER	Q'TY	DESCRIPTION	REMARKS	NOTE1	NOTE2
5		177202-41030	1	PAWL ASSY, STARTER			
6	+	900700-00004	1	E-RING 4	CE-4		
8	+	177234-40630	1	SPRING, RETURN			
9	+	177218-40630	1	PAWL, STARTER	WHITE		
10		900502-00008	1	NUT 8 (3N)	3N8		
11		177200-43130	1	STARTER ASSY (BS)		Sus. by A051-000170	
11		A051-000170	1	STARTER, RECOIL			
12	+	177236-40630	1	SCREW			
13	+	177214-41030	1	WASHER			
14	+	177215-43130	1	DRUM, STARTER			
15	+	177220-40630	1	SPRING, REWIND			
17	+	177226-01110	1	ROPE, STARTER	4.0*880		
18	+	177227-05530	1	GUIDE, ROPE		Can be used on the 177200-43130 only	
18	+	177227-42030	1	GUIDE, ROPE		Can be used on the A051-000170 only	
19	+	177228-11120	1	GRIP, STARTER			
20		900162-04020	4	BOLT, H.S. 4*20	4*20 W,SW		
21		890118-49330	1	LABEL, ECHO			

3. Magneto, Clutch

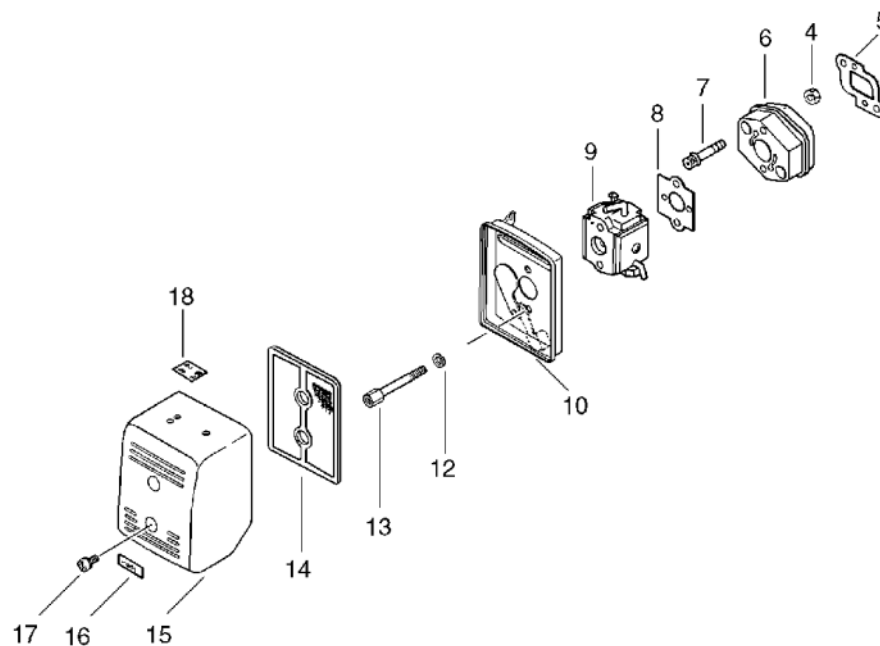
No.3



KEY	LV	PART NUMBER	Q'TY	DESCRIPTION	REMARKS	NOTE1	NOTE2
5		159017-10230	1	PLUG, SPARK (RCJ-7Y)	RCJ-7Y		
6		159011-03432	1	COIL, SPARK PLUG			
7		159012-03433	1	CAP, SPARK PLUG			
8		156112-40630	1	GROMMET			
9		156626-42230	1	COIL, IGNITION		Sus. by set of 156601-12920 and 900600-00006	
9		156601-12920	1	COIL,IGNITION			
10		900238-05020	2	SCREW 5*20	5*20		
11		162021-42230	1	LEAD			
12		156635-43130	1	LEAD, GROUND			
13		156801-42230	1	FLYWHEEL			
14		900600-00010	1	WASHER 10	10		
15		900605-00010	1	WASHER, SPRING 10	10		
16		900503-00010	1	NUT 10 (3N *1.25)	3N10*P1.25		
17		175049-03920	2	WASHER			
18		175009-42231	2	SHOE, CLUTCH			
19		175018-42230	1	SPRING, CLUTCH			
20		175048-03920	2	WASHER			
21		175046-06230	2	BOLT, CLUTCH			
22		900600-00006	2	WASHER 6	6		
23		900238-05010	1	SCREW 5*10	5*10		

4. Air Cleaner

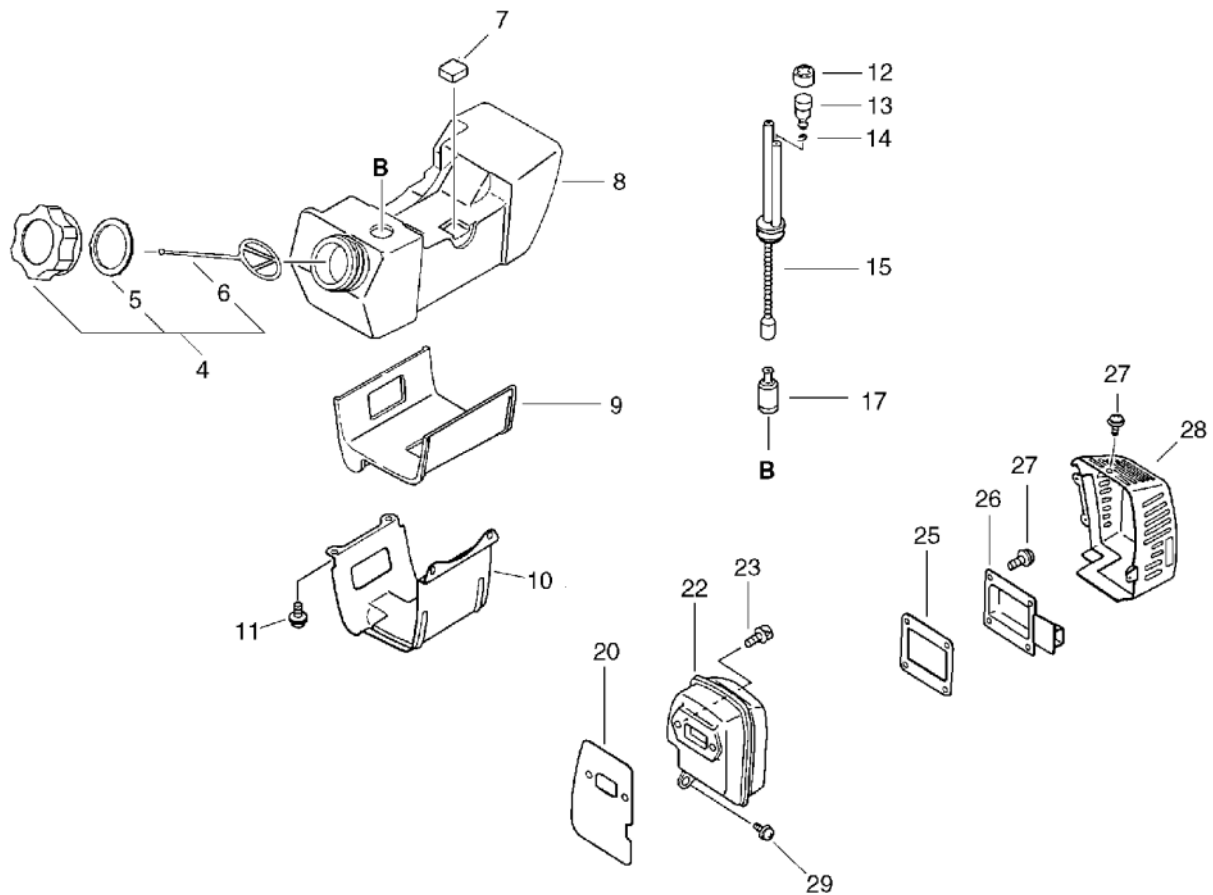
No.4



KEY	LV	PART NUMBER	Q'TY	DESCRIPTION	REMARKS	NOTE1	NOTE2
4		900500-00005	2	NUT 5	5		
5		130016-42231	1	GASKET, INTAKE			
6		130017-43130	1	INSULATOR			
7		900162-05025	2	BOLT, H.S. 5*25	5*25 W,SW		
8		130016-06231	1	GASKET		Sus. by 130016-06232	
8		130016-06232	1	GASKET, INTAKE			
9		123000-47532	1	CARBURETOR ASSY	WT-120B		
10		130307-47531	1	CASE, AIR CLEANER		Sus. by 130307-47533	
10		130307-47532	1	CASE, AIR CLEANER		Sus. by 130307-47533	
10		130307-47533	1	CASE, AIR CLEANER			
12		900605-00005	2	WASHER, SPRING 5	5		
13		130021-47530	2	BOLT, 5		Sus. by 130021-51530	
13		130021-51530	2	BOLT, 5			
14		130310-06230	1	FILTER, AIR			
15		130313-06230	1	COVER, AIR CLEANER			
16		890121-21430	1	LABEL, CHOKE			
17		900238-04008	2	SCREW 4*8	4*8		
18		890169-47530	1	LABEL, ADJUSTING			

5. Muffler, Fuel Tank

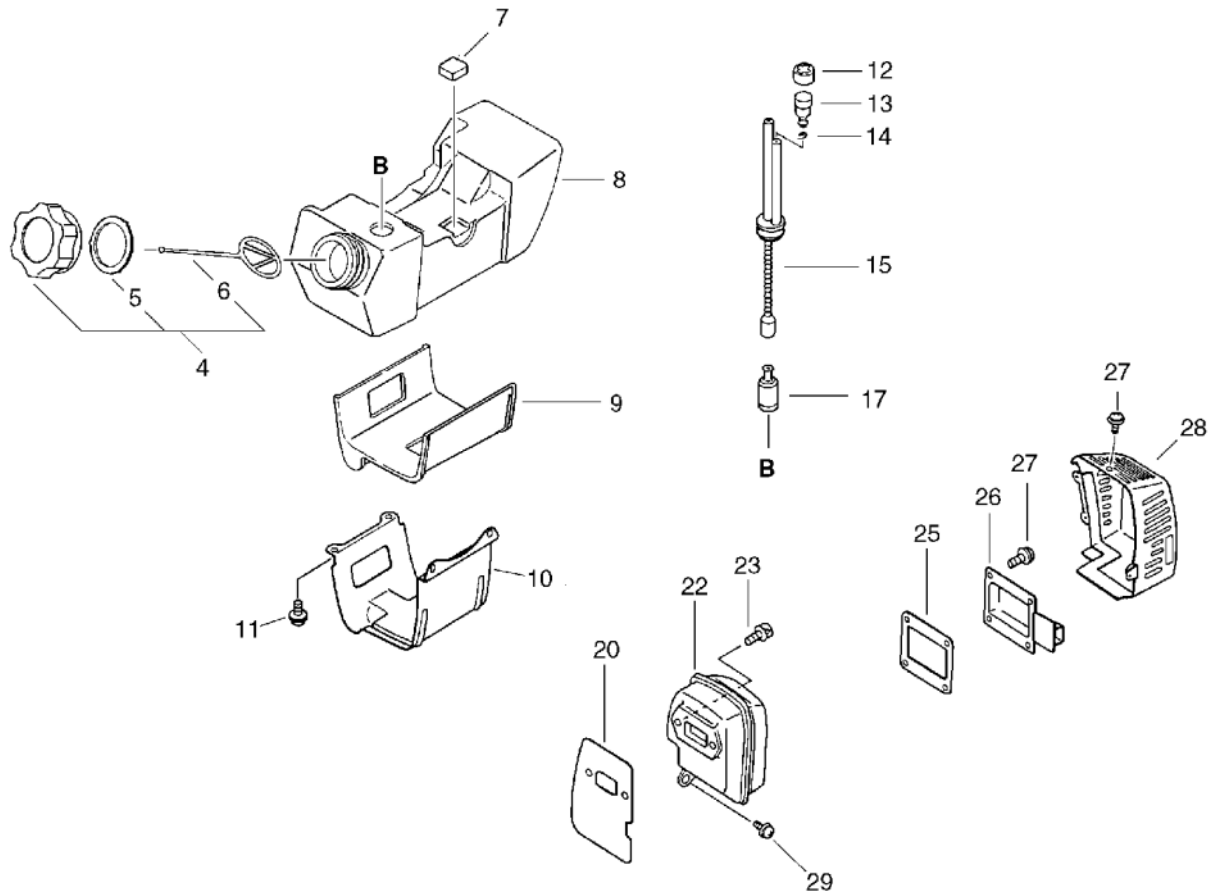
No.5



KEY	LV	PART NUMBER	Q'TY	DESCRIPTION	REMARKS	NOTE1	NOTE2
4		131004-46730	1	CAP ASSY, FUEL TANK		Sus. by 131004-08960	
4		131004-08960	1	CAP ASSY, FUEL			
5	+	131016-40930	1	GASKET, FUEL CAP		Can be used on the 131004-46730 only	
5	+	131016-55830	1	GASKET, FUEL CAP		Can be used on the 131004-08960 only	
6	+	131051-52430	1	CONNECTOR, CAP	80L		
7		131923-11120	3	CUSHION			
8		131010-43130	1	TANK, FUEL		Sus. by 131010-46931	
8		131010-46930	1	TANK, FUEL		Sus. by 131010-46931	
8		131010-46931	1	TANK, FUEL			
9		131924-43130	1	CUSHION			
10		131910-43130	1	BRACKET, FUEL TANK (BL)			
11		900238-05014	2	SCREW 5*14	5*14		
12		131328-40630	1	COVER, VENT			
13		131300-49930	1	VALVE, CHECK		Sus. by 131300-56430	
13		131300-56430	1	VALVE, CHECK			
14		132013-26630	1	CLIP	6.5MM		
15		132010-43130	1	PIPE, FUEL (INNER)	NBR		
17		131205-19830	1	STRAINER, FUEL			

5. Muffler, Fuel Tank

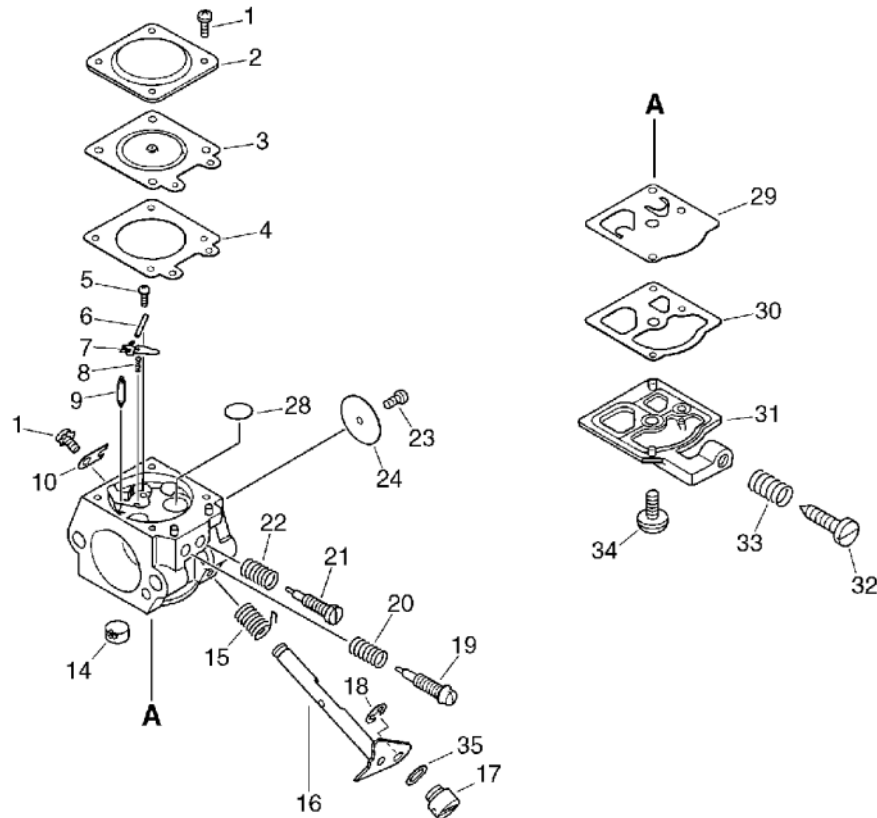
No.5



KEY	LV	PART NUMBER	Q'TY	DESCRIPTION	REMARKS	NOTE1	NOTE2
20		145510-42231	1	GASKET, MUFFLER			
22		145610-47530	1	MUFFLER			
23		900162-05020	2	BOLT, H.S. 5*20	5*20 W,SW		
25		145866-43131	1	GASKET, MUFFLER LID			
26		145867-47530	1	LID, MUFFLER			
27		900238-04010	7	SCREW 4*10	4*10		
28		145871-43130	1	COVER, MUFFLER			
29		900238-05014	1	SCREW 5*14	5*14		

6. Carburetor

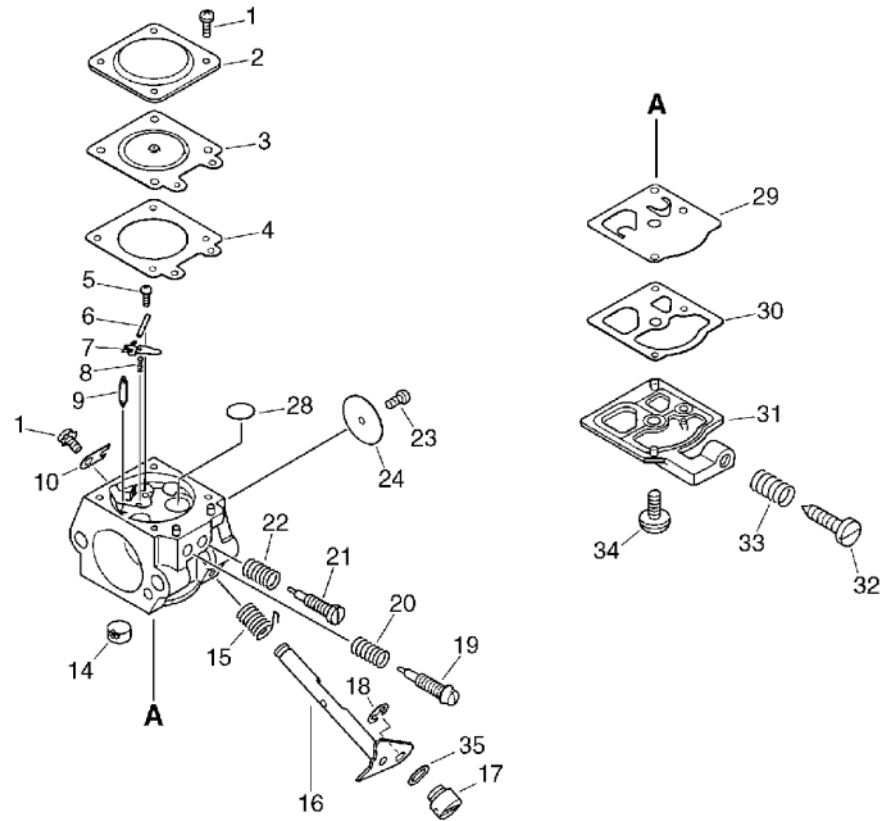
No.6



KEY	LV	PART NUMBER	Q'TY	DESCRIPTION	REMARKS	NOTE1	NOTE2
		123000-47532	1	CARBURETOR ASSY	WT-120B		
1	+	123130-02960	5	SCREW			
2	+	123142-03930	1	COVER, M. DIAPHRAGM			
3	+	123141-03930	1	DIAPHRAGM, METERING			
4	+	123140-03930	1	GASKET, M. DIAPHRAGM			
5	+	123139-03930	1	SCREW, M. LEVER PIN			
6	+	123138-03930	1	PIN, METERING LEVER			
7	+	123123-03930	1	LEVER, METERING			
8	+	123122-47530	1	SPRING, METER. LEVER			
9	+	123137-04260	1	VALVE, INLET NEEDLE			
10	+	123127-03930	1	CLIP, THROTTLE SHAFT			
14	+	123126-10631	1	SCREEN, INLET			
15	+	123113-47530	1	SPRING, THR. RTN.			
16	+	123117-05020	1	SHAFT, THROTTLE			
17	+	123172-26030	1	SWIVEL			
18	+	123173-07930	1	CLIP			
19	+	123120-47530	1	NEEDLE, HIGH SPEED			
20	+	123119-22130	1	SPRING, NEEDLE			
21	+	123118-40430	1	NEEDLE, IDLE			
22	+	123121-22130	1	SPRING, NEEDLE			
23	+	123114-03930	1	SCREW		Sus. by 123114-38830	
23	+	123114-38830	1	SCREW			
24	+	123116-10530	1	VALVE, THROTTLE			
28	+	123146-10631	1	PLUG, WELCH			
29	+	123112-15030	1	DIAPHRAGM, FUEL PUMP			

6. Carburetor

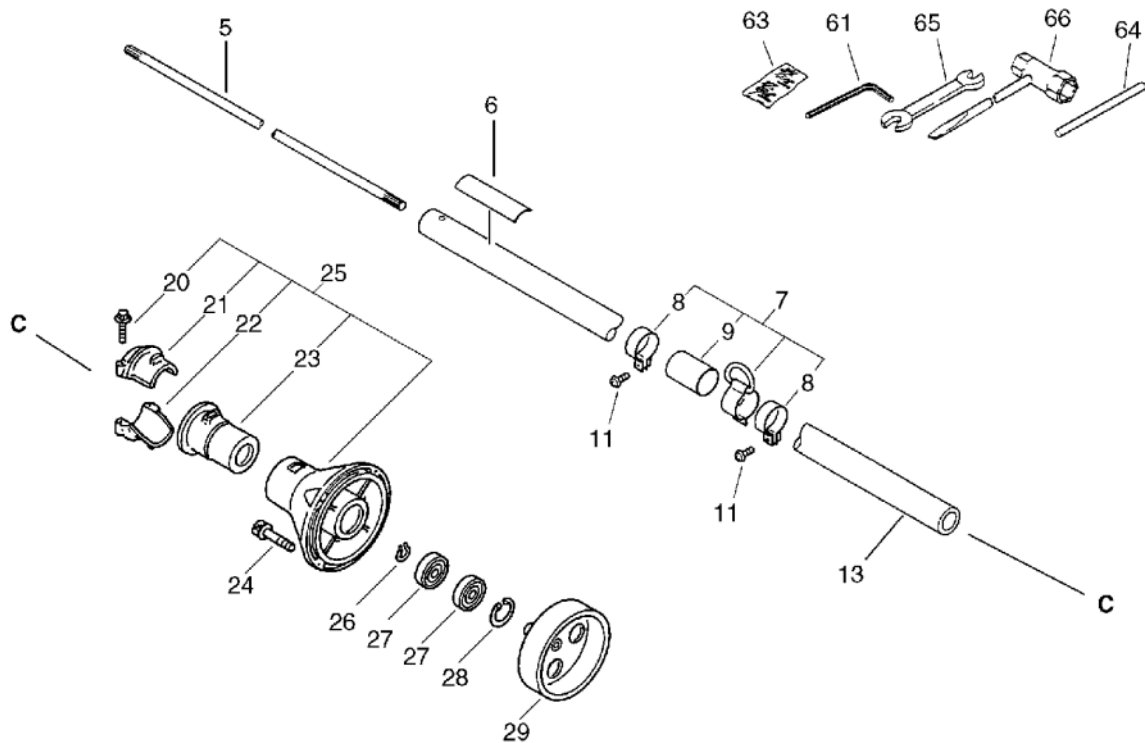
No.6



KEY	LV	PART NUMBER	Q'TY	DESCRIPTION	REMARKS	NOTE1	NOTE2
30	+	123125-15030	1	GASKET, FUEL PUMP			
31	+	123124-24430	1	COVER, FUEL PUMP			
32	+	123134-04260	1	SCREW, IDLE ADJUST			
33	+	123133-06320	1	SPRING, IDLE ADJUST			
34	+	123110-03930	1	SCREW, PUMP COVER			
35	+	123149-26030	1	WASHER			

7. Drive Shaft, Tools

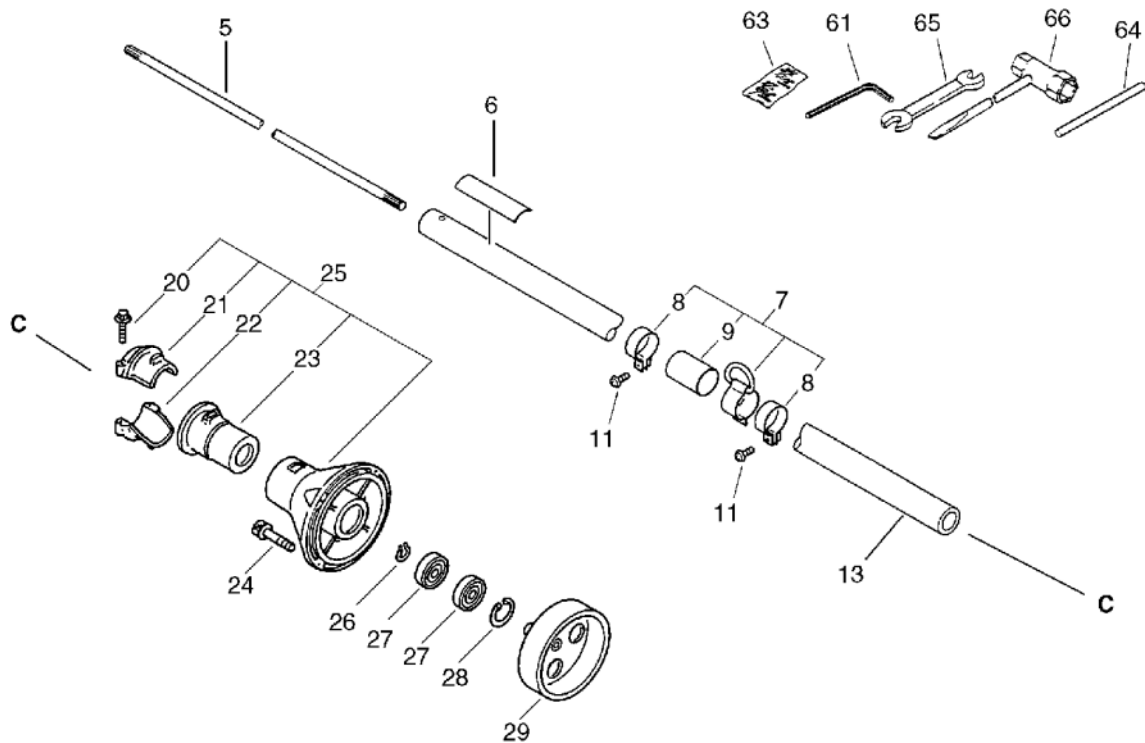
No.7



KEY	LV	PART NUMBER	Q'TY	DESCRIPTION	REMARKS	NOTE1	NOTE2
5		610011-06230	1	SHAFT, DRIVE			
6		890617-46830	1	LABEL, CAUTION		Sus. by 890617-43130	
6		890617-43130	1	LABEL, CAUTION			
7		301200-06230	1	HOOK ASS'Y			
8	+	301207-05630	2	HOOK			
9	+	301224-06230	1	GUIDE			
11	+	900242-05014	2	SCREW 5*14	5*14		
13		610206-43130	1	HOUSING ASSY, D.SHFT			
20		900142-05025	2	BOLT 5*25 (W/W,SW)	5*25		
21		610922-40430	1	HOLDER			
22		610923-40430	1	HOLDER			
23		610910-40430	1	CUSHION			
24		900162-05020	4	BOLT, H.S. 5*20	5*20 W,SW		
25		610205-43130	1	FLANGE (BS)		Sus. by 610203-43130	
25		610203-43130	1	FLANGE, ASY			
20	+	900142-05025	2	BOLT 5*25 (W/W,SW)	5*25	Can be used on the 610203-43130 only	
21	+	610922-43130	1	HOLDER, MAIN PIPE		Can be used on the 610203-43130 only	
22	+	610922-55630	1	HOLDER, PIPE		Can be used on the 610203-43130 only	

7. Drive Shaft, Tools

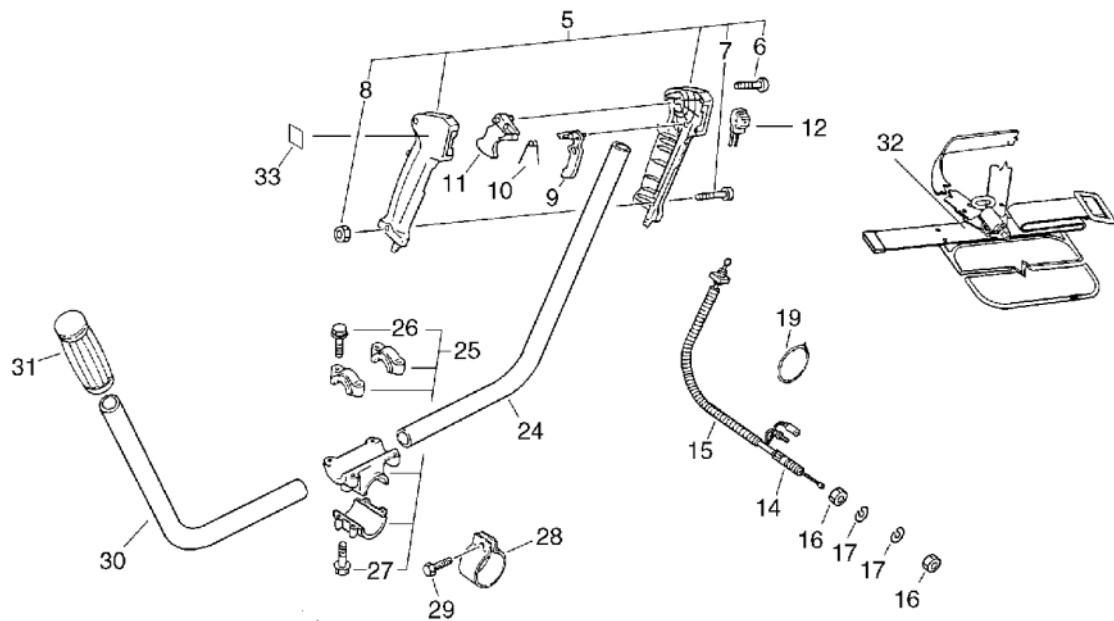
No.7



KEY	LV	PART NUMBER	Q'TY	DESCRIPTION	REMARKS	NOTE1	NOTE2
23	+	610910-51830	1	CUSHION		Can be used on the 610203-43130 only	
26		900701-00012	1	CIRCLIP 12	CS-12		
27		900807-06001	2	BEARING, BALL 6001	6001V(LB)		
28		900702-00028	1	CIRCLIP 28	CR-28		
29		175005-43130	1	DRUM, CLUTCH			
61		895610-00130	1	L-WRENCH (4MM)			
63		898502-01130	1	PIN 2*22 (W/POUCH)			
64		897518-01131	1	LOCKING TOOL			
65		895112-00330	1	SPANNER 8*10			
66		895410-08030	1	WRENCH, W/S. DRIVER		Sus. by X602- 000020	
66		X602-000020	1	TOOL,WRENCH	17*19 L200		

8. Handle

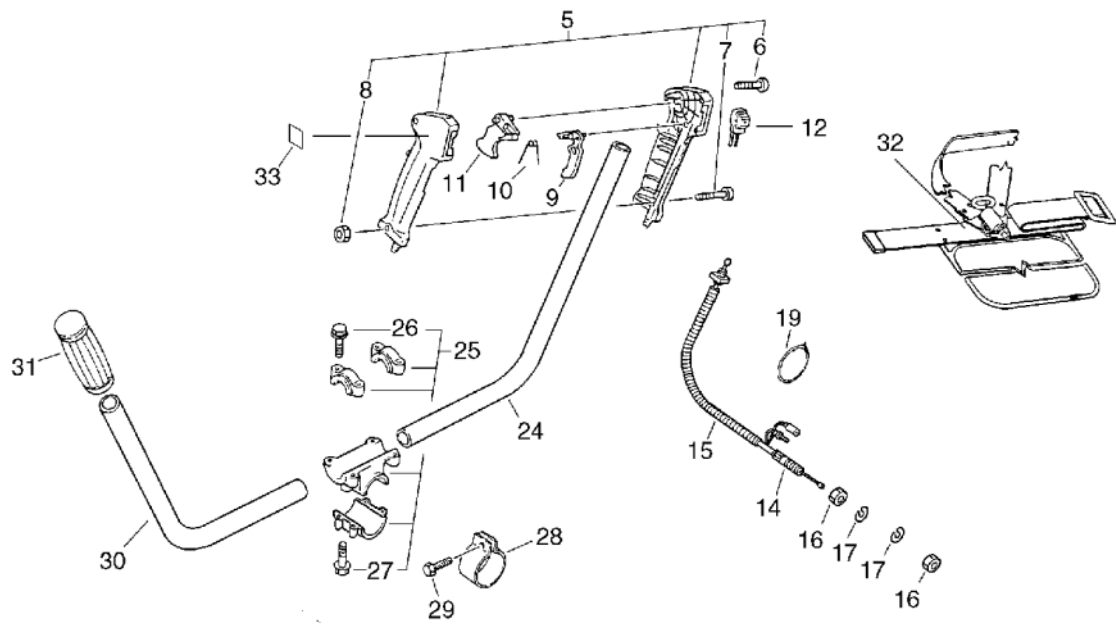
No.8



KEY	LV	PART NUMBER	Q'TY	DESCRIPTION	REMARKS	NOTE1	NOTE2
5		351102-47530	1	GRIP ASSY, F-HANDLE			
6	+	900246-03025	4	SCREW 3*25	3*25		
7	+	900220-05030	1	SCREW 5*30	5*30		
8	+	900500-00005	1	NUT 5	5		
9		178012-05960	1	LOCKOUT, THROTTLE			
10		178013-35631	1	SPRING, THR. LOCK			
11		178010-05960	1	CONTROL, THROTTLE			
12		163401-43130	1	SWITCH, IGNITION			
14		178001-43230	1	WIRE, THROTTLE			
15		178127-43230	1	TUBE	7*820		
16		900502-00006	2	NUT 6 (3N)	3N6		
17		900605-00006	2	WASHER, SPRING 6	6		
19		178121-43230	2	BAND	CV-150 BL		
24		351110-43230	1	HANDLE, FRONT			
25		351301-43230	1	BRACKET ASSY HNDL(BS)			
26	+	900142-05025	4	BOLT 5*25 (W/W,SW)	5*25		
27	+	900142-05030	4	BOLT 5*30 (W/W,SW)	5*30		
28		351642-08130	1	BAND			
29		900100-06014	1	BOLT 6*14	6*14		
30		351610-08130	1	HANDLE, FRONT			
31		351311-02330	1	GRIP, HANDLE			
32		301300-24830	1	HARNESS ASSY		Sus. by 301001-52130	
32		301300-24831	1	HARNESS ASSY		Sus. by 301001-52130	
32		301001-52130	1	HARNESS, SHOULDER			

8. Handle

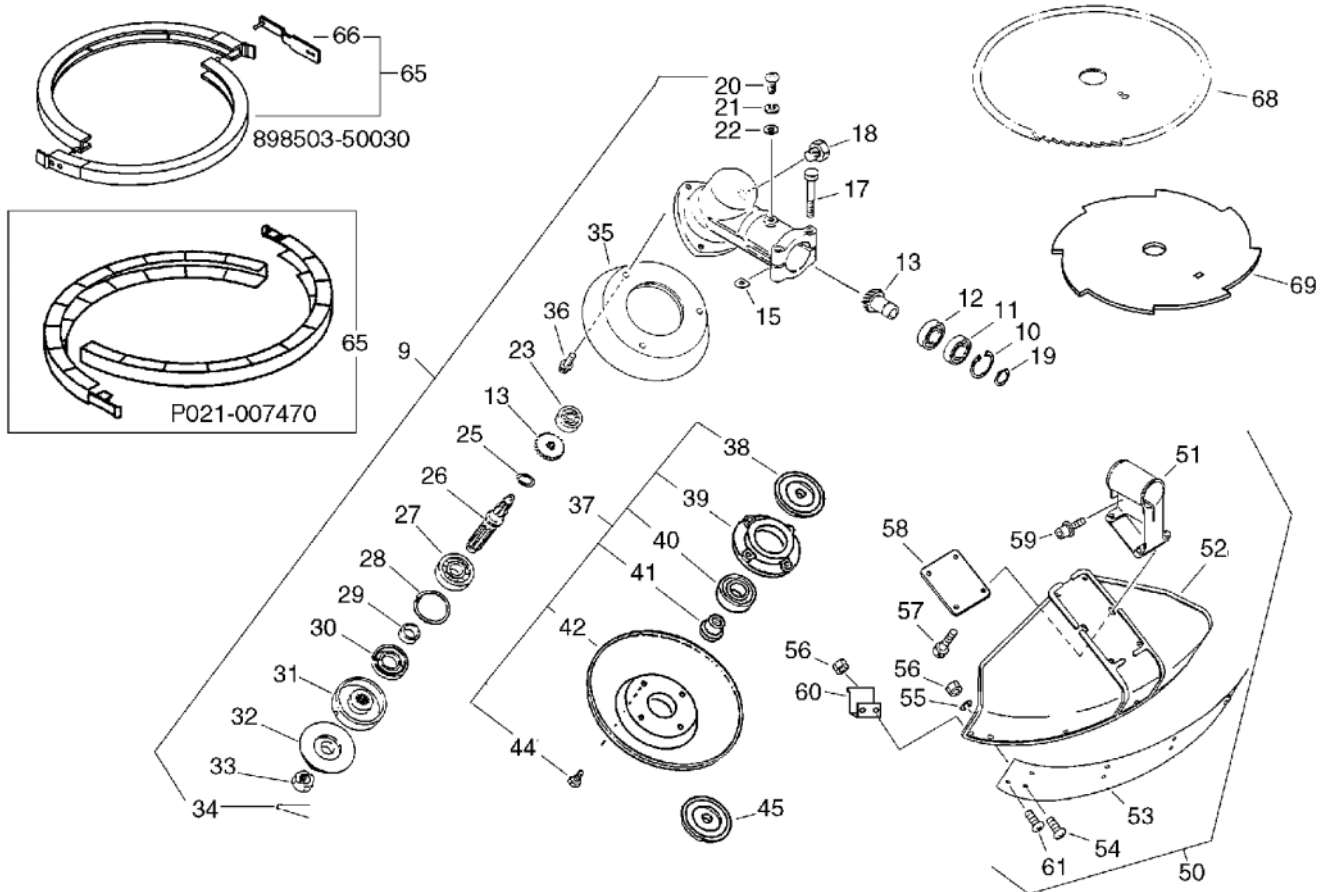
No.8



KEY	LV	PART NUMBER	Q'TY	DESCRIPTION	REMARKS	NOTE1	NOTE2
33		890157-39130	1	LABEL, SWITCH		Disuse	

9. Gear Case, Shield, Blade

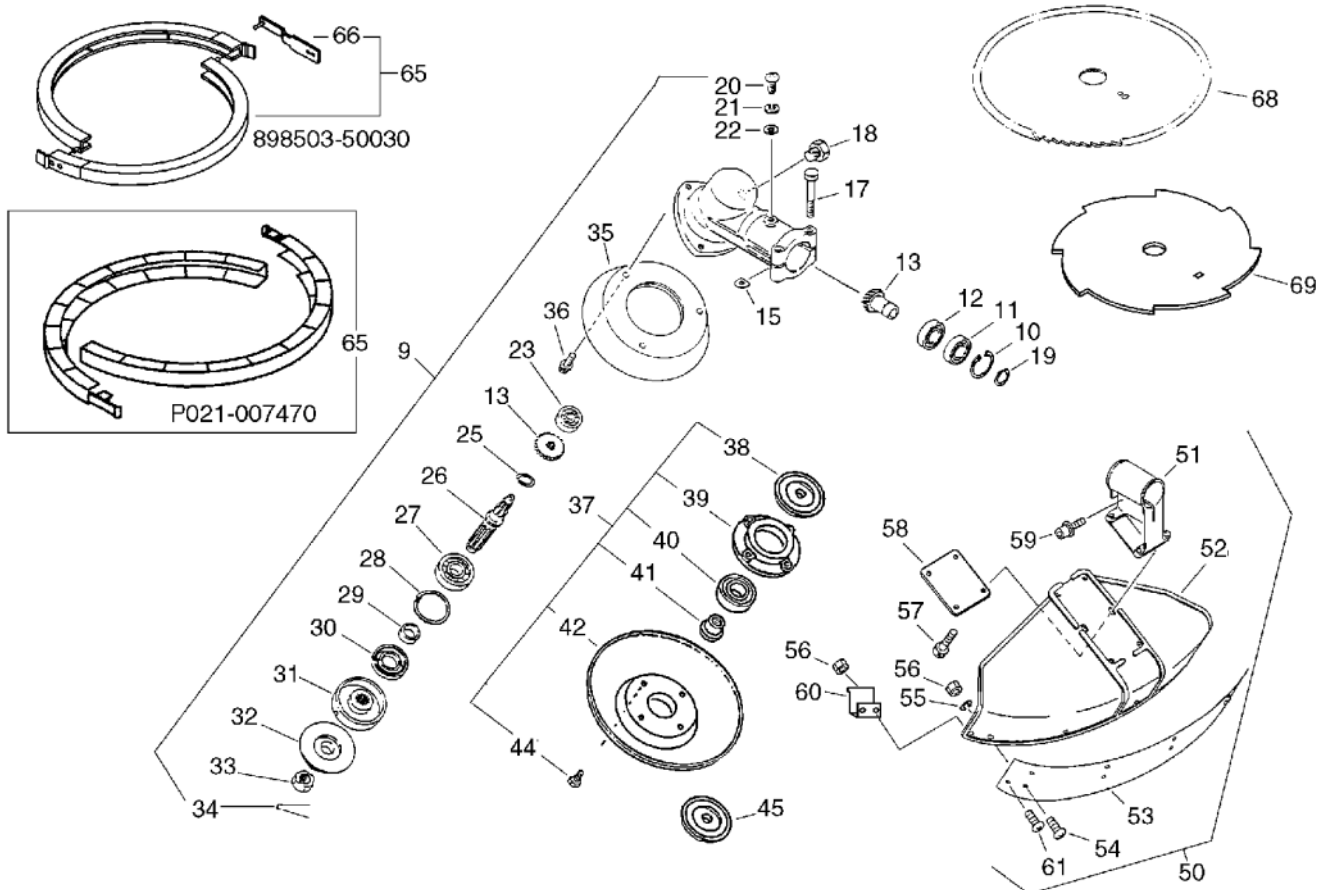
No.9



KEY	LV	PART NUMBER	Q'TY	DESCRIPTION	REMARKS	NOTE1	NOTE2
9		610400-40430	1	HOUSING ASSY, GEAR		Sus. by 610400-40433	
9		610400-40431	1	CASE ASY, GEAR		Sus. by 610400-40433	
9		610400-40433	1	CASE ASY, GEAR			
10	+	900702-00028	1	CIRCLIP 28	CR-28		
11	+	900807-06001	1	BEARING, BALL 6001	6001V(LB)		
12	+	900800-06001	1	BEARING, BALL 6001	6001		
13	+	610300-40430	1	GEAR SET			
15	+	610239-04130	2	WASHER, SHIM			
17	+	900142-05030	2	BOLT 5*30 (W/W,SW)	5*30		
18	+	610434-50030	1	BOLT 8* 6		Sus. by 610434-50031	
18	+	610434-50031	1	BOLT 8* 8	M8*8		
19	+	900701-00012	1	CIRCLIP 12	CS-12		
20	+	900220-05010	1	SCREW 5*10	5*10		
21	+	900605-00005	1	WASHER, SPRING 5	5		
22	+	900600-00005	1	WASHER 5	5		
23	+	900800-36000	1	BEARING, BALL 6000	6000/C3		
25	+	900706-00012	1	CIRCLIP 12	WR-12		
26	+	610310-07130	1	SHAFT, P.T.O.			
27	+	900810-06201	1	BEARING, BALL 6201	6201		
28	+	900702-00032	1	CIRCLIP 32	CR-32		
29	+	610315-07130	1	SPACER			
30	+	610413-07130	1	OILSEAL			

9. Gear Case, Shield, Blade

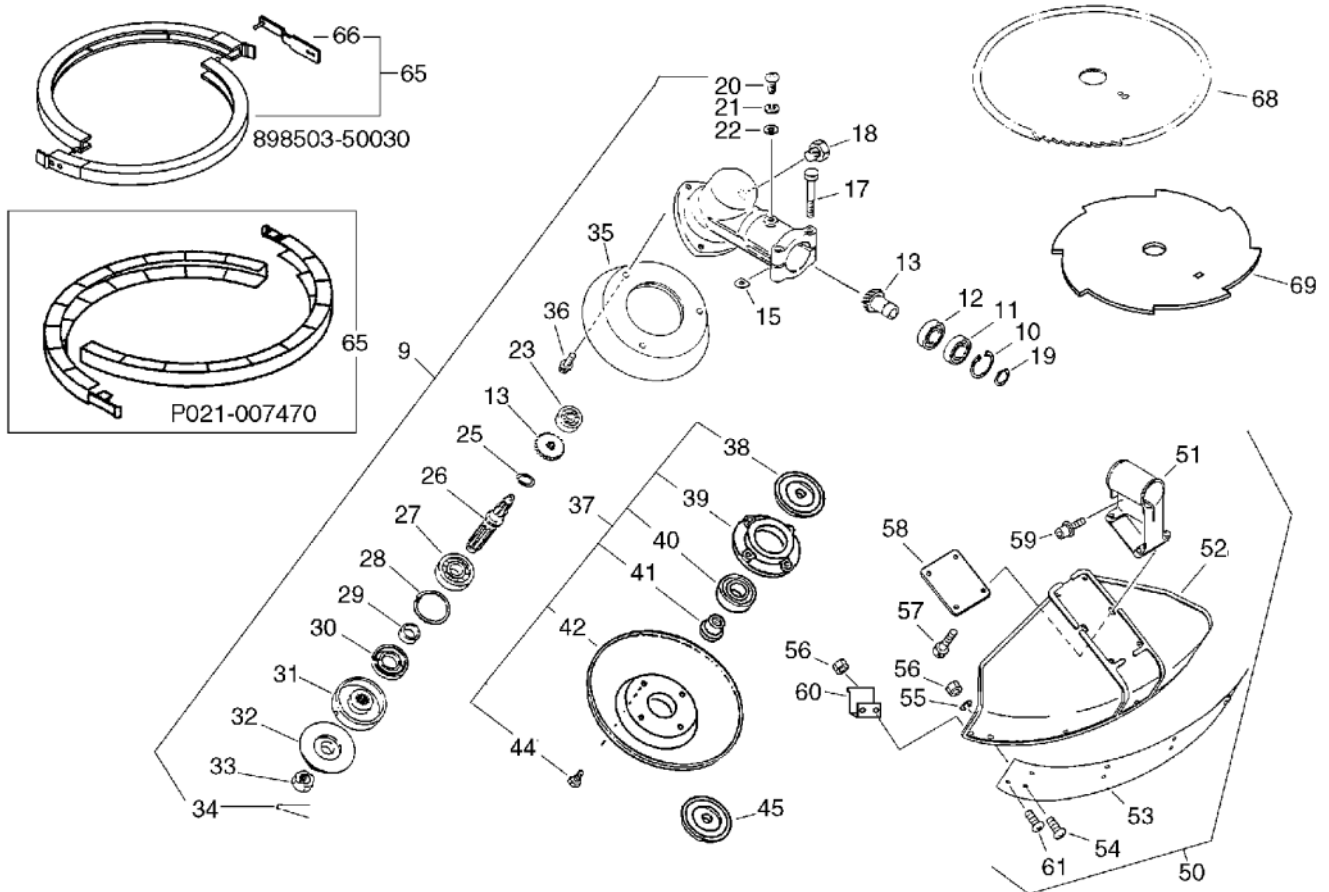
No.9



KEY	LV	PART NUMBER	Q'TY	DESCRIPTION	REMARKS	NOTE1	NOTE2
31	+	610313-07130	1	PLATE, ADAPTER (U)	PD 25.4	Sus. by 610313-07132	
31	+	610313-07131	1	PLATE, ADAPTER (U)	PD 25.4	Sus. by 610313-07132	
31	+	610313-07132	1	PLATE, ADAPTER (U)			
32	+	610314-07130	1	PLATE, ADAPTER (L)			
33	+	900511-00010	1	NUT 10 (L-H)	10*P1.25		
34	+	900300-20022	1	PIN, SPLIT 2*22	2*22		
35	+	610443-21232	1	PLATE, GUARD		Sus. by C536-000030	
35	+	C536-000030	1	COVER,GEAR CASE			
36	+	900238-05020	3	SCREW 5*20	5*20		
37		699200-07131	1	CUP ASSY, FREE			
38	+	610333-07130	1	PLATE, ADAPTER (L)			
39	+	699226-05430	1	HOLDER, BEARING			
40	+	900814-06202	1	BEARING, BALL 6202	620ZZ		
41	+	699227-04630	1	NUT			
42	+	699228-08930	1	PLATE, COVER			
44	+	900141-05012	4	BOLT 5*12	5*12		
45		610336-07131	1	PLATE, ADAPTER (L)			
50		699001-50430	1	SHIELD ASSY			
51	+	699011-43130	1	BRACKET, SHIELD			
52	+	699010-54430	1	SHIELD, BLADE			
53	+	699013-52130	1	PLATE, SHIELD			
54	+	900242-05018	4	SCREW 5*18	5*18		
55	+	900603-00005	4	WASHER 5	5.5*12*0.8		

9. Gear Case, Shield, Blade

No.9



KEY	LV	PART NUMBER	Q'TY	DESCRIPTION	REMARKS	NOTE1	NOTE2
56	+	900500-00005	6	NUT 5	5		
57	+	900242-05014	4	SCREW 5*14	5*14		
58	+	699015-52130	1	PLATE, SHIELD			
59	+	900142-05025	2	BOLT 5*25 (W/W,SW)	5*25		
60	+	699016-52130	1	KNIFE, CORD		Sus. by 699016-54530	
60	+	699016-54530	1	KNIFE			
61	+	900242-05012	2	SCREW 5*12	5*12		
65		898503-50030	1	SCABBARD KIT, BLADE		Sus. by P021-007470	
65		P021-007470	1	SCABBARD, BLADE			
66	+	898562-43230	1	FIXTURE, SCABBARD		Can be used on 898503-50030 only	
68		695001-55630	1	SAW, CIRCULAR 10*80T		Sus. by 695001-55631	
68		695001-55631	1	SAW, CIRCULAR 10*80T	255*80T*1.4 PD25		
69		696001-55630	1	BLADE, 8-CUTTER 10IN		Sus. by 696001-55631	
69		696001-55631	1	BLADE, 8-CUTTER 10IN	255*8T*1.4 PD25		

Index

Patrs Number	Key No.	Patrs Number	Key No.	Patrs Number	Key No.
100000-43230	1 - 13	123149-26030	6 - 35	175018-42230	3 - 19
100000-43231	1 - 13	123172-26030	6 - 17	175046-06230	3 - 21
100011-43230	1 - 12	123173-07930	6 - 18	175048-03920	3 - 20
100012-12331	1 - 16	130016-06231	4 - 8	175049-03920	3 - 17
100012-27930	1 - 16	130016-06232	4 - 8	177200-43130	2 - 11
100013-00410	1 - 14	130016-42231	4 - 5	177202-41030	2 - 5
100014-17330	1 - 17	130017-43130	4 - 6	177214-41030	2 - 13
100015-00120	1 - 15	130021-47530	4 - 13	177215-43130	2 - 14
100100-43130	1 - 22	130021-51530	4 - 13	177218-40630	2 - 9
100142-12330	1 - 23	130307-47531	4 - 10	177220-40630	2 - 15
100200-42230	1 - 19	130307-47532	4 - 10	177226-01110	2 - 17
100212-27930	1 - 18	130307-47533	4 - 10	177227-05530	2 - 18
100213-02830	1 - 32	130310-06230	4 - 14	177227-42030	2 - 18
100215-02830	1 - 20	130313-06230	4 - 15	177228-11120	2 - 19
100242-42230	1 - 25	131004-08960	5 - 4	177234-40630	2 - 8
101010-42231	1 - 11	131004-46730	5 - 4	177236-40630	2 - 12
101011-47530	1 - 9	131010-43130	5 - 8	178001-43230	8 - 14
101511-42230	1 - 29	131010-46930	5 - 8	178010-05960	8 - 11
101514-42230	1 - 8	131010-46931	5 - 8	178012-05960	8 - 9
101534-42230	1 - 28	131016-40930	5 - 5	178013-35631	8 - 10
123000-47532	4 - 9	131016-55830	5 - 5	178121-43230	8 - 19
123000-47532	6 -	131051-52430	5 - 6	178127-43230	8 - 15
123110-03930	6 - 34	131205-19830	5 - 17	301001-52130	8 - 32
123112-15030	6 - 29	131300-49930	5 - 13	301200-06230	7 - 7
123113-47530	6 - 15	131300-56430	5 - 13	301207-05630	7 - 8
123114-03930	6 - 23	131328-40630	5 - 12	301224-06230	7 - 9
123114-38830	6 - 23	131910-43130	5 - 10	301300-24830	8 - 32
123116-10530	6 - 24	131923-11120	5 - 7	301300-24831	8 - 32
123117-05020	6 - 16	131924-43130	5 - 9	351102-47530	8 - 5
123118-40430	6 - 21	132010-43130	5 - 15	351110-43230	8 - 24
123119-22130	6 - 20	132013-26630	5 - 14	351301-43230	8 - 25
123120-47530	6 - 19	145510-42231	5 - 20	351311-02330	8 - 31
123121-22130	6 - 22	145610-47530	5 - 22	351610-08130	8 - 30
123122-47530	6 - 8	145866-43131	5 - 25	351642-08130	8 - 28
123123-03930	6 - 7	145867-47530	5 - 26	610011-06230	7 - 5
123124-24430	6 - 31	145871-43130	5 - 28	610203-43130	7 - 25
123125-15030	6 - 30	156112-40630	3 - 8	610205-43130	7 - 25
123126-10631	6 - 14	156601-12920	3 - 9	610206-43130	7 - 13
123127-03930	6 - 10	156626-42230	3 - 9	610239-04130	9 - 15
123130-02960	6 - 1	156635-43130	3 - 12	610300-40430	9 - 13
123133-06320	6 - 33	156801-42230	3 - 13	610310-07130	9 - 26
123134-04260	6 - 32	159011-03432	3 - 6	610313-07130	9 - 31
123137-04260	6 - 9	159012-03433	3 - 7	610313-07131	9 - 31
123138-03930	6 - 6	159017-10230	3 - 5	610313-07132	9 - 31
123139-03930	6 - 5	159905-43130	1 - 6	610314-07130	9 - 32
123140-03930	6 - 4	162021-42230	3 - 11	610315-07130	9 - 29
123141-03930	6 - 3	163401-43130	8 - 12	610333-07130	9 - 38
123142-03930	6 - 2	175005-43130	7 - 29	610336-07131	9 - 45
123146-10631	6 - 28	175009-42231	3 - 18	610400-40430	9 - 9

Index

Patrs Number	Key No.	Patrs Number	Key No.	Patrs Number	Key No.
610400-40431	9 - 9	900162-04020	2 - 20	900800-36000	9 - 23
610400-40433	9 - 9	900162-05020	1 - 10	900807-06001	7 - 27
610413-07130	9 - 30	900162-05020	5 - 23	900807-06001	9 - 11
610434-50030	9 - 18	900162-05020	7 - 24	900810-06201	9 - 27
610434-50031	9 - 18	900162-05025	1 - 30	900810-36201	1 - 21
610443-21232	9 - 35	900162-05025	4 - 7	900810-36202	1 - 24
610910-40430	7 - 23	900162-05030	1 - 26	900814-06202	9 - 40
610910-51830	7 - 23	900220-05010	9 - 20	94035-36201	1 - 21
610922-40430	7 - 21	900220-05030	8 - 7	A051-000170	2 - 11
610922-43130	7 - 21	900238-04008	4 - 17	C536-000030	9 - 35
610922-55630	7 - 22	900238-04010	1 - 27	P021-007470	9 - 65
610923-40430	7 - 22	900238-04010	5 - 27	V307-000050	1 - 17
695001-55630	9 - 68	900238-05010	1 - 7	X602-000020	7 - 66
695001-55631	9 - 68	900238-05010	3 - 23		
696001-55630	9 - 69	900238-05014	1 - 5		
696001-55631	9 - 69	900238-05014	5 - 11		
699001-50430	9 - 50	900238-05014	5 - 29		
699010-54430	9 - 52	900238-05020	3 - 10		
699011-43130	9 - 51	900238-05020	9 - 36		
699013-52130	9 - 53	900242-05012	9 - 61		
699015-52130	9 - 58	900242-05014	7 - 11		
699016-52130	9 - 60	900242-05014	9 - 57		
699016-54530	9 - 60	900242-05018	9 - 54		
699200-07131	9 - 37	900246-03025	8 - 6		
699226-05430	9 - 39	900300-20022	9 - 34		
699227-04630	9 - 41	900500-00005	4 - 4		
699228-08930	9 - 42	900500-00005	8 - 8		
890112-43230	1 - 33	900500-00005	9 - 56		
890118-49330	2 - 21	900502-00006	8 - 16		
890121-21430	4 - 16	900502-00008	2 - 10		
890157-39130	8 - 33	900503-00010	3 - 16		
890169-47530	4 - 18	900511-00010	9 - 33		
890617-43130	7 - 6	900600-00005	9 - 22		
890617-46830	7 - 6	900600-00006	3 - 22		
895112-00330	7 - 65	900600-00010	3 - 14		
895410-08030	7 - 66	900603-00005	9 - 55		
895610-00130	7 - 61	900605-00005	4 - 12		
897518-01131	7 - 64	900605-00005	9 - 21		
898502-01130	7 - 63	900605-00006	8 - 17		
898503-50030	9 - 65	900605-00010	3 - 15		
898562-43230	9 - 66	900700-00004	2 - 6		
900100-06014	8 - 29	900701-00012	7 - 26		
900141-05012	9 - 44	900701-00012	9 - 19		
900142-05025	7 - 20	900702-00028	7 - 28		
900142-05025	7 - 20	900702-00028	9 - 10		
900142-05025	8 - 26	900702-00032	9 - 28		
900142-05025	9 - 59	900702-00035	1 - 31		
900142-05030	8 - 27	900706-00012	9 - 25		
900142-05030	9 - 17	900800-06001	9 - 12		

YAMABIKO CORPORATION

7-2 SUEHIROCHO 1-CHOME, OHME, TOKYO 198-8760, JAPAN
PHONE: 81-428-32-6118. FAX: 81-428-32-6145.



4600
No.