



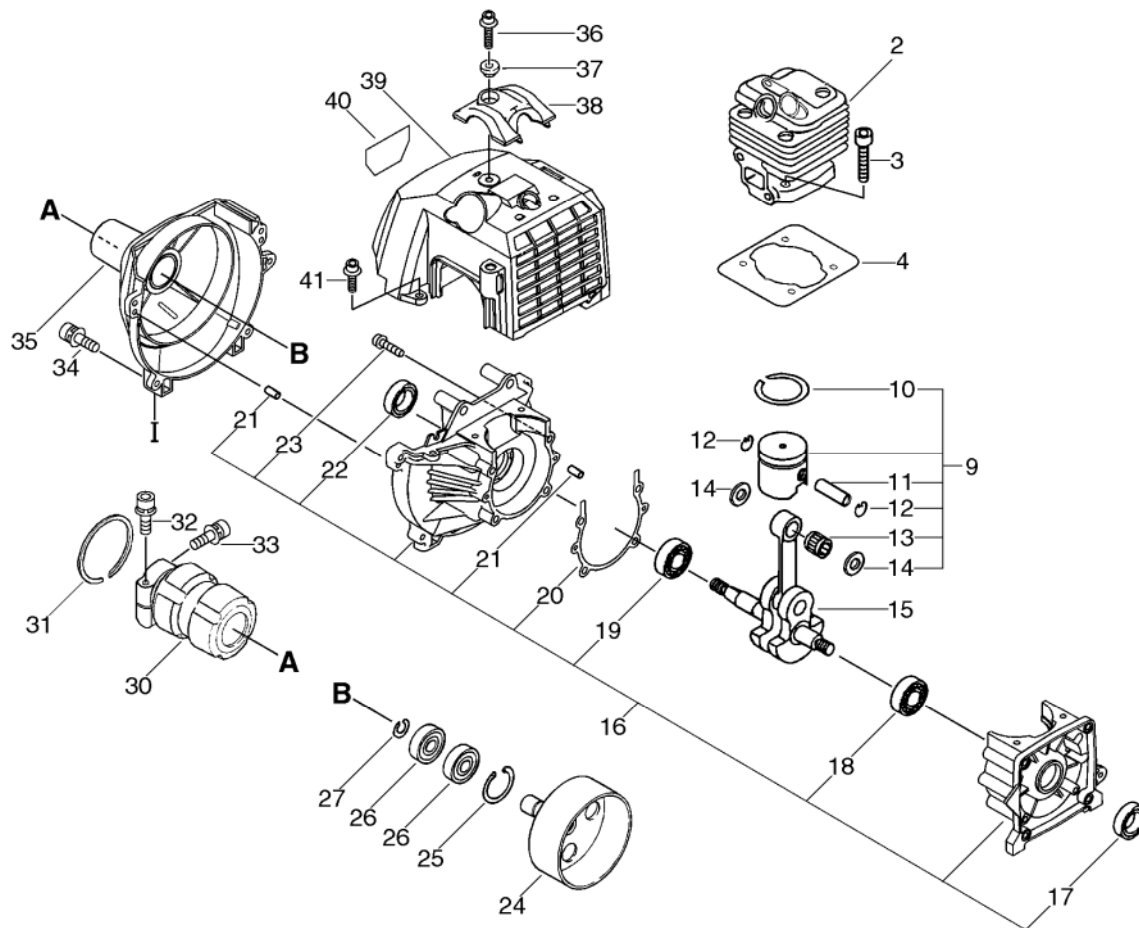
PARTS CATALOGUE

GRASS-TRIMMER / BRUSHCUTTER

SRM-410(36)

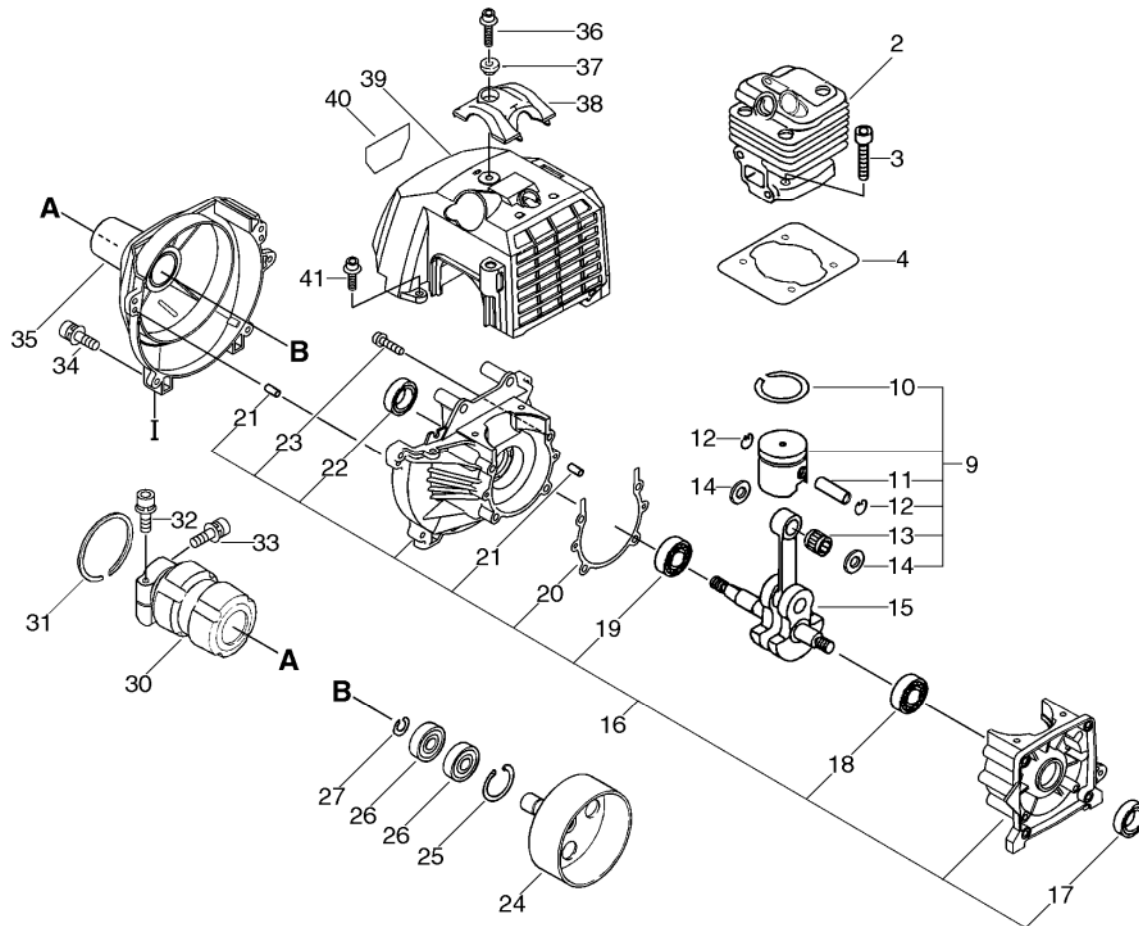
36000001 -

1. CYLINDER, CRANKCASE, PISTON



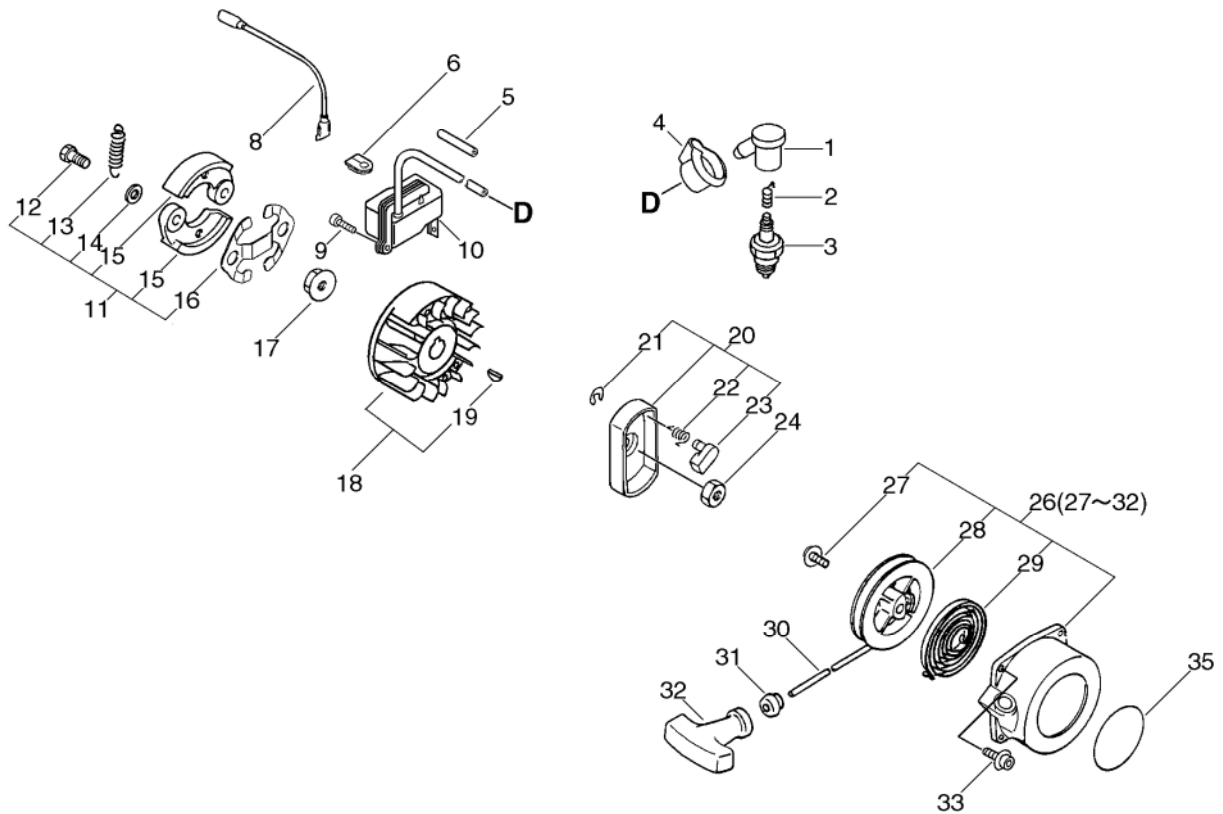
KEY	LV	PART NUMBER	Q'TY	DESCRIPTION	REMARKS	NOTE1	NOTE2
2		A130-000870	1	CYLINDER			
3		900162-05020	4	BOLT, H.S. 5*20	5*20 W,SW		
4		V100-000040	1	GASKET,CYL			
9		P021-014260	1	PISTON KIT			
10	+	100011-10530	1	RING, PISTON			
11	+	V608-000000	1	PIN,ENG 10			
12	+	V580-000010	2	RING,END	φ0.8		
13	+	V555-000010	1	BEARING,NEEDLE 10			
14	+	V307-000060	2	WASHER,CIRCULAR 10			
15		A011-000330	1	CRANKSHAFT,ASM			
16		P021-002471	1	CRANKCASE SET			
17	+	100213-05530	1	OILSEAL	ISCD 12 22 7		
18	+	94035-36201	1	BEARING BALL	6201X3JR2C3		
19	+	900810-36202	1	BEARING, BALL 6202	6202/C3		
20	+	V102-000001	1	GASKET,CRANKCASE			
21	+	100215-03930	4	PIN, DOWEL			
22	+	100213-00310	1	OILSEAL	ISCD 15 25 7		
23	+	900162-05035	4	BOLT, H.S. 5*35	5*35 W,SW		
24		A556-001410	1	DRUM, CLUTCH			
25		900702-00028	1	CIRCLIP 28	CR-28		
26		900807-06001	2	BEARING, BALL 6001	6001V(LB)		
27		900701-00012	1	CIRCLIP 12	CS-12		
30		V420-000980	1	CUSHION			
31		900702-00045	1	RING, RETAINING(IN)	CR-45		
32		91118-05028	1	BOLT	CM-5*28		
33		91118-05012	1	BOLT	CM-5*12		

1. CYLINDER, CRANKCASE, PISTON



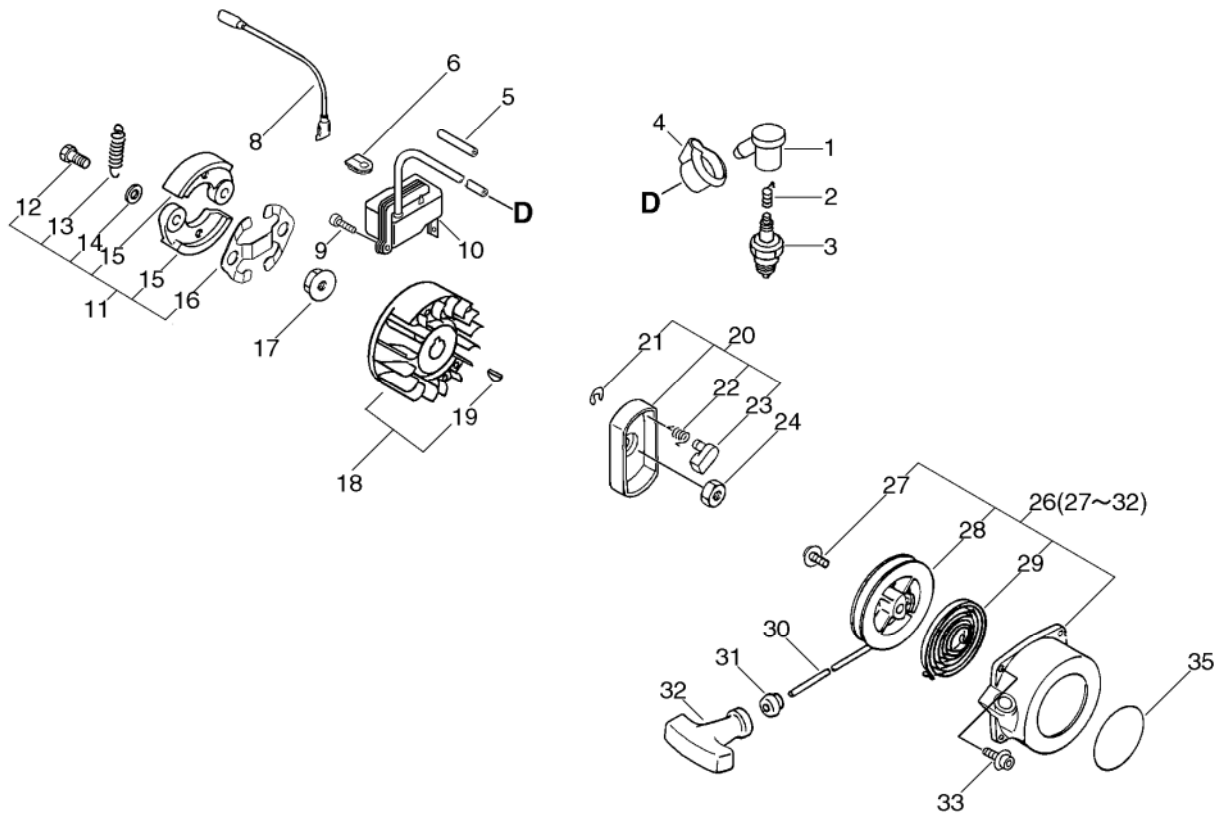
KEY	LV	PART NUMBER	Q'TY	DESCRIPTION	REMARKS	NOTE1	NOTE2
34		91118-05020	4	BOLT	CM-5*20		
35		A172-001950	1	COVER,FAN			
36		91121-05020	1	BOLT, FLANGE	10.9 SILVER		
37		V353-000020	1	COLLAR,5	12*5.5*4.5L		
38		A162-000020	1	GUARD, TOP			
39		A160-000241	1	COVER,CYLINDER			
40		X547-001850	1	LABEL,ECHO			
41		91121-05012	1	BOLT, FLANGE	10.9 SILVER		

2. RECOIL STARTER, MAGNETO



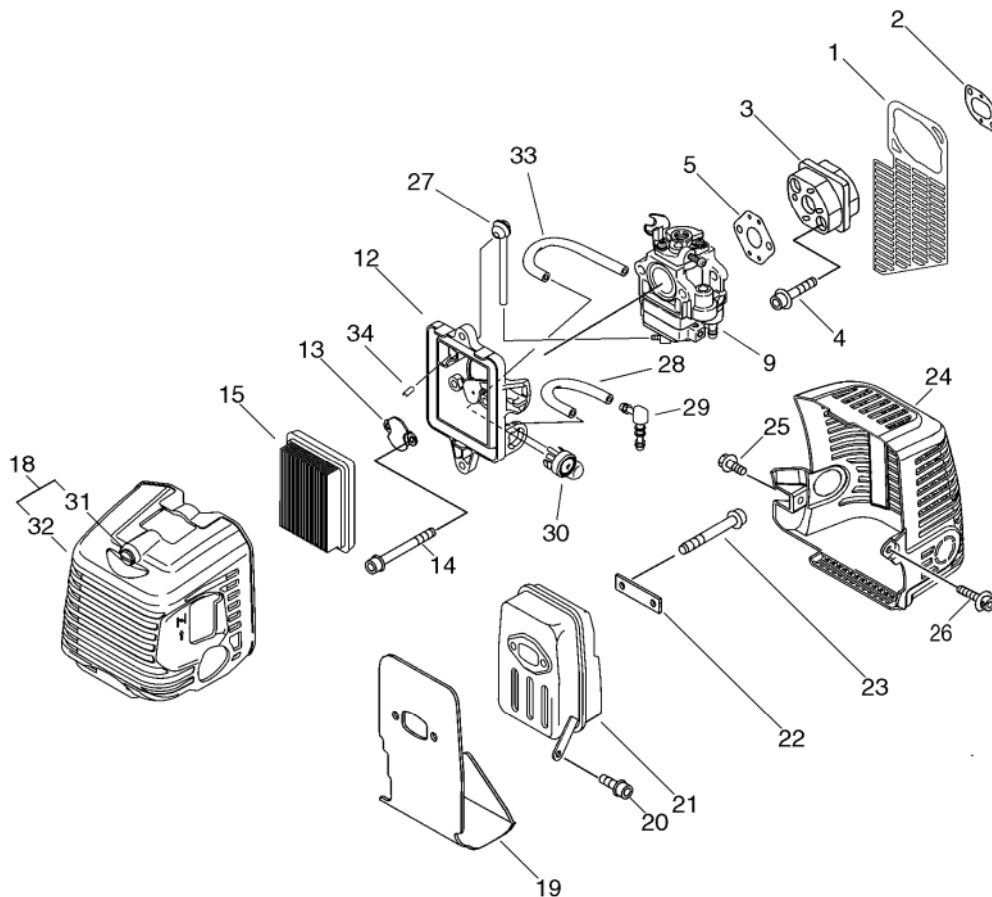
KEY	LV	PART NUMBER	Q'TY	DESCRIPTION	REMARKS	NOTE1	NOTE2
1		A427-000000	1	CAP, SPARK PLUG			
2		A426-000000	1	TERMINAL, SPARK PLUG			
3		159010-10230	1	PLUG, SPARK (BPMR-7A)	BPMR-7A		
4		V141-000020	1	GROMMET, PLUG			
5		V475-001610	1	TUBE	7*8.6*55 HST-10		
6		156114-04920	1	GROMMET			
8		162010-55630	1	LEAD, GROUND	170L		
9		900162-05020	2	BOLT, H.S. 5*20	5*20 W, SW		
10		A411-000050	1	COIL, IGNITION			
11		P021-016610	1	CLUTCH ASY			
12	+	A557-000000	2	SHAFT, CLUTCH			
13	+	V451-000480	1	SPRING, TENSION			
14	+	175049-03920	2	WASHER			
15	+	A553-000040	2	ARM, CLUTCH			
16	+	V453-000100	1	SPRING, FLAT	10.2		
17		900519-00010	1	NUT, FLANGE 10	10*1.25		
18		P021-005911	1	ROTOR, MAGNETO KIT			
19	+	900323-03014	1	KEY WOODRUFF	3*14		
20		A052-000011	1	PULLEY, ASM STARTER			
21	+	P022-002100	1	E-RING	4		
22	+	177234-40630	1	SPRING, RETURN			
23	+	177218-40630	1	PAWL, STARTER	WHITE		
24		900502-00008	1	NUT 8 (3N)	3N8		
26		A051-000070	1	STARTER, RECOIL			
27	+	177236-06910	1	SCREW			

2. RECOIL STARTER, MAGNETO



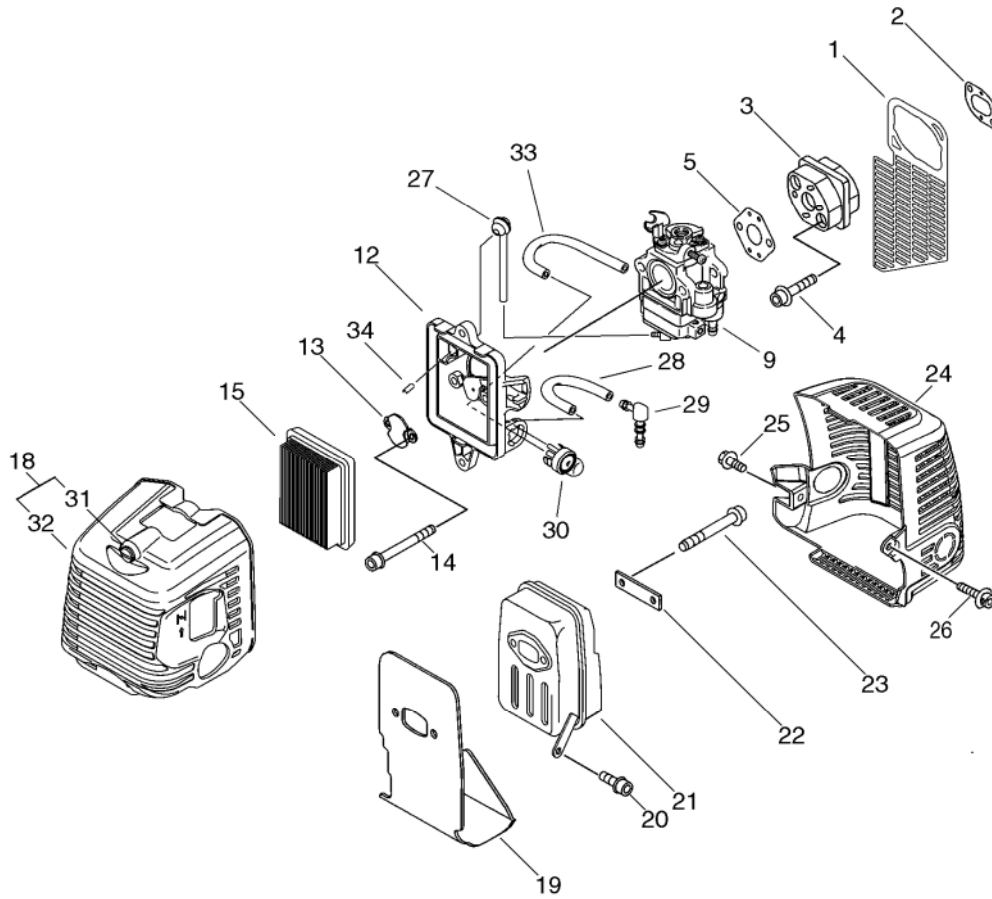
KEY	LV	PART NUMBER	Q'TY	DESCRIPTION	REMARKS	NOTE1	NOTE2
28	+	P022-002080	1	DRUM, STARTER			
29	+	177220-06310	1	SPRING, REWIND			
30	+	177226-06310	1	ROPE, STARTER	3.8*1150		
31	+	177227-42030	1	GUIDE, ROPE			
32	+	177228-27030	1	GRIP, STARTER			
33		91121-05020	1	BOLT, FLANGE	10.9 SILVER		
35		X502-000460	1	LABEL,ECHO			

3. AIR CLEANER, CARBURETOR, MUFFLER



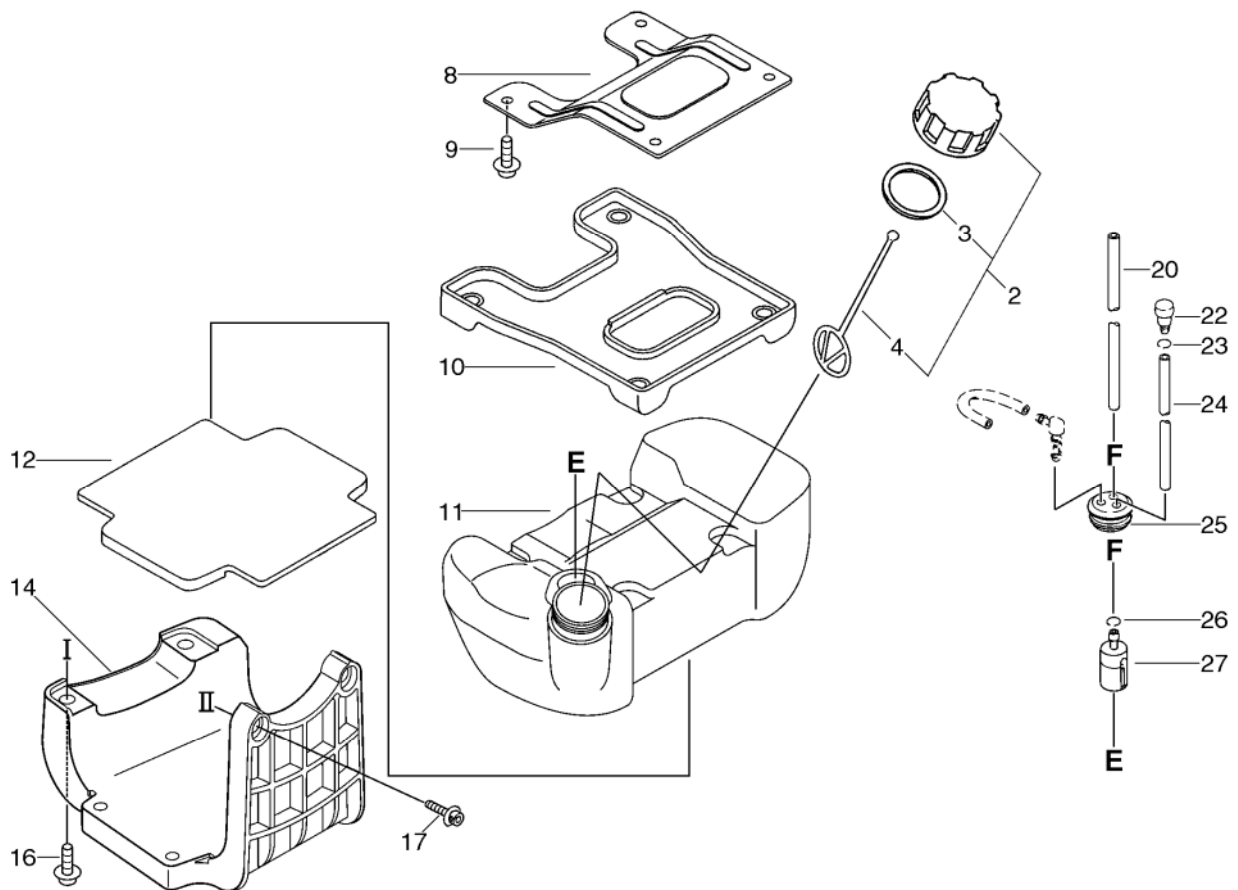
KEY	LV	PART NUMBER	Q'TY	DESCRIPTION	REMARKS	NOTE1	NOTE2
1		A128-000060	1	PLATE,DUST			
2		V103-000070	1	GASKET,INTAKE			
3		A200-000060	1	INSULATOR,INTAKE			
4		900106-05025	2	BOLT, H.S. 5*25	5*25		
5		V103-000080	1	GASKET,INTAKE			
9		A021-001172	1	CARBURETOR,DIAPHRAGM	WYK-226A		
12		P021-009590	1	CASE, AIR CLEANER			
13		A244-000010	1	PLATE,PREVENT			
14		900105-05055	2	BOLT, H.S. 5*55	5*55		
15		A226-000360	1	ELEMENT, AIR FILTER	AFP-2010K-300		
18		P021-012110	1	LID,CLEANER ASY			
31	+	V253-000100	2	SCREW,5	5*20		
32	+	A232-000390	1	LID,CLEANER			
19		V104-000210	1	GASKET,EXHAUST			
20		900162-05012	1	BOLT, H.S. 5*12	5*12 W,SW		
21		P021-008900	1	MUFFLER ASY			
22		V150-000550	1	PLATE,EYE			
23		900105-06060	2	BOLT, H.S. 6*60	6*60		
24		A320-000910	1	COVER,MUFFLER			
25		91121-05012	1	BOLT, FLANGE	10.9 SILVER		
26		91121-05020	1	BOLT, FLANGE	10.9 SILVER		
27		132012-39331	1	PIPE	3*6*105		
28		437215-20760	1	PIPE 3*6*60	3*6*60 YL		
29		V186-000080	1	JOINT,PIPE			
30		123181-39130	1	PUMP, PRIMER			

3. AIR CLEANER, CARBURETOR, MUFFLER



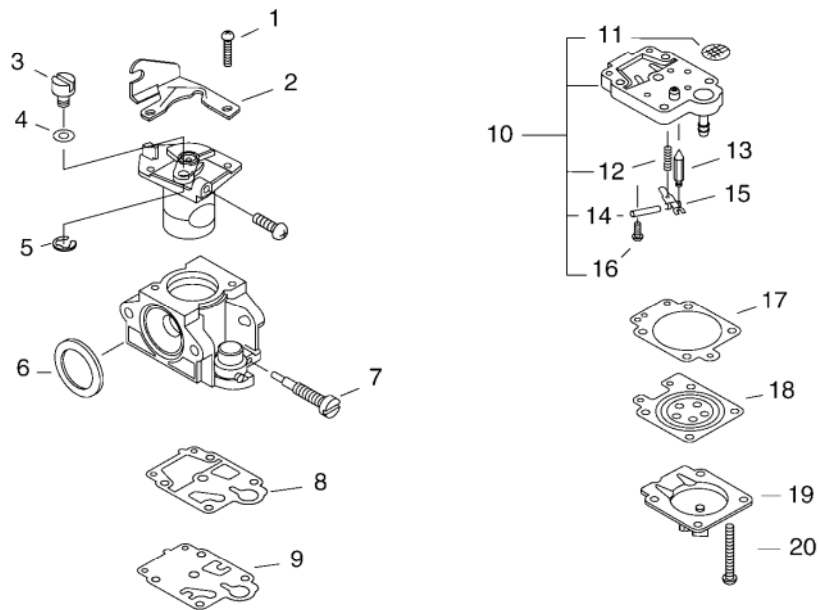
KEY	LV	PART NUMBER	Q'TY	DESCRIPTION	REMARKS	NOTE1	NOTE2
33		V471-001560	1	PIPE	2.4*5*80		
34		A239-000050	1	PIPE, INTAKE			

4. FUEL TANK



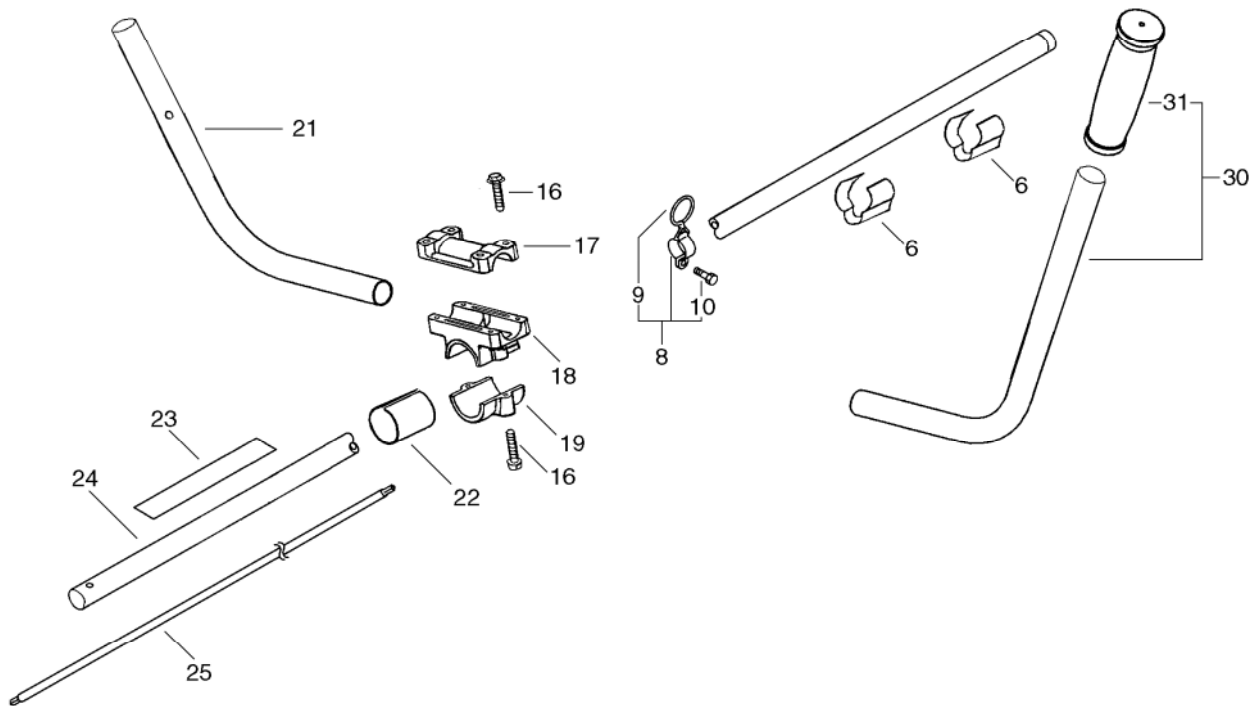
KEY	LV	PART NUMBER	Q'TY	DESCRIPTION	REMARKS	NOTE1	NOTE2
2		131004-55530	1	CAP ASSY, FUEL TANK			
3	+	131016-55830	1	GASKET, FUEL CAP			
4	+	131051-56030	1	CLIP, FUEL CAP	100L		
8		A393-000030	1	BRACKET, FUEL TANK			
9		900106-05012	4	BOLT, H.S. 5*12	5*12		
10		A390-000000	1	SEAT, FUEL TANK			
11		A350-000131	1	TANK, FUEL			
12		A390-000010	1	SEAT, FUEL TANK			
14		A393-000050	1	BRACKET, FUEL TANK			
16		91121-05020	2	BOLT, FLANGE	10.9 SILVER		
17		91121-05025	2	BOLT, FLANGE	10.9 SILVER		
20		132010-53630	1	PIPE	3*6*180 NBR		
22		131300-56430	1	VALVE, CHECK			
23		132013-26630	1	CLIP	6.5MM		
24		132012-02960	1	PIPE, FUEL	3*6*120L		
25		132115-55930	1	GROMMET, FUEL			
26		132013-26630	1	CLIP	6.5MM		
27		131205-19831	1	STRAINER, FUEL			

5. CARBURETOR



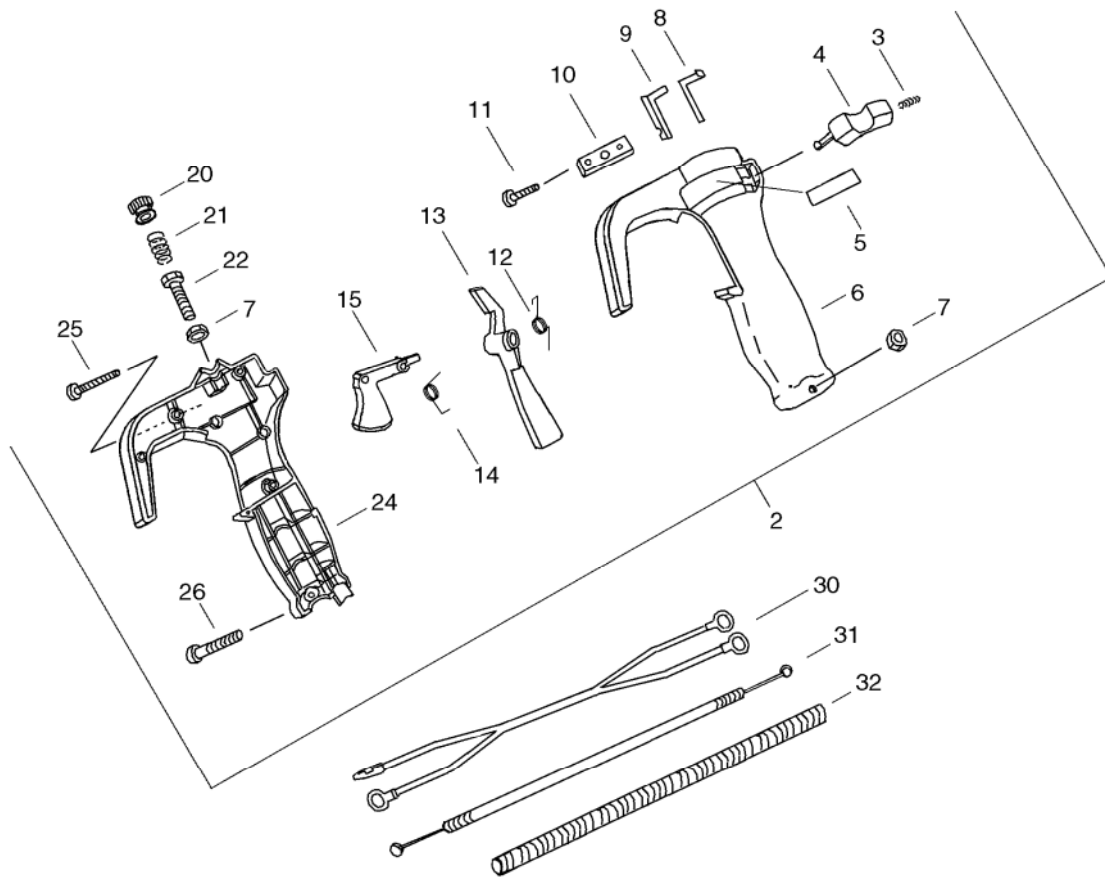
KEY	LV	PART NUMBER	Q'TY	DESCRIPTION	REMARKS	NOTE1	NOTE2
		A021-001172	1	CARBURETOR,DIAPHRAGM	WYK-226A		
1	+	123114-40630	2	SCREW			
2	+	P003-000180	1	BRACKET CABLE			
3	+	123172-45130	1	SWIVEL			
4	+	123149-54230	1	WASHER			
5	+	123173-07930	1	CLIP			
6	+	123143-12110	1	RING, PACKING			
7	+	P003-001130	1	NEEDLE, HIGH SPEED			
8	+	P003-000100	1	GASKET, PUMP			
9	+	123112-40630	1	DIAPHRAGM, PUMP			
10	+	P003-001490	1	BODY ASSEMBLY, PUMP			
11	++	123126-10631	1	SCREEN, INLET			
12	++	123122-05560	1	SPRING, METER. LEVER			
13	++	123137-19830	1	VALVE, INLET NEEDLE			
14	++	123138-03930	1	PIN, METERING LEVER			
15	++	123123-03930	1	LEVER, METERING			
16	++	123139-05560	1	SCREW, M. LEVER PIN			
17	+	123140-27230	1	GASKET,M. DIAPHRAGM			
18	+	P003-001850	1	DIAPHRAGM, METERING			
19	+	P003-001500	1	COVER, PRIMER PUMP			
20	+	123144-44330	4	SCREW			

6. HANDLE



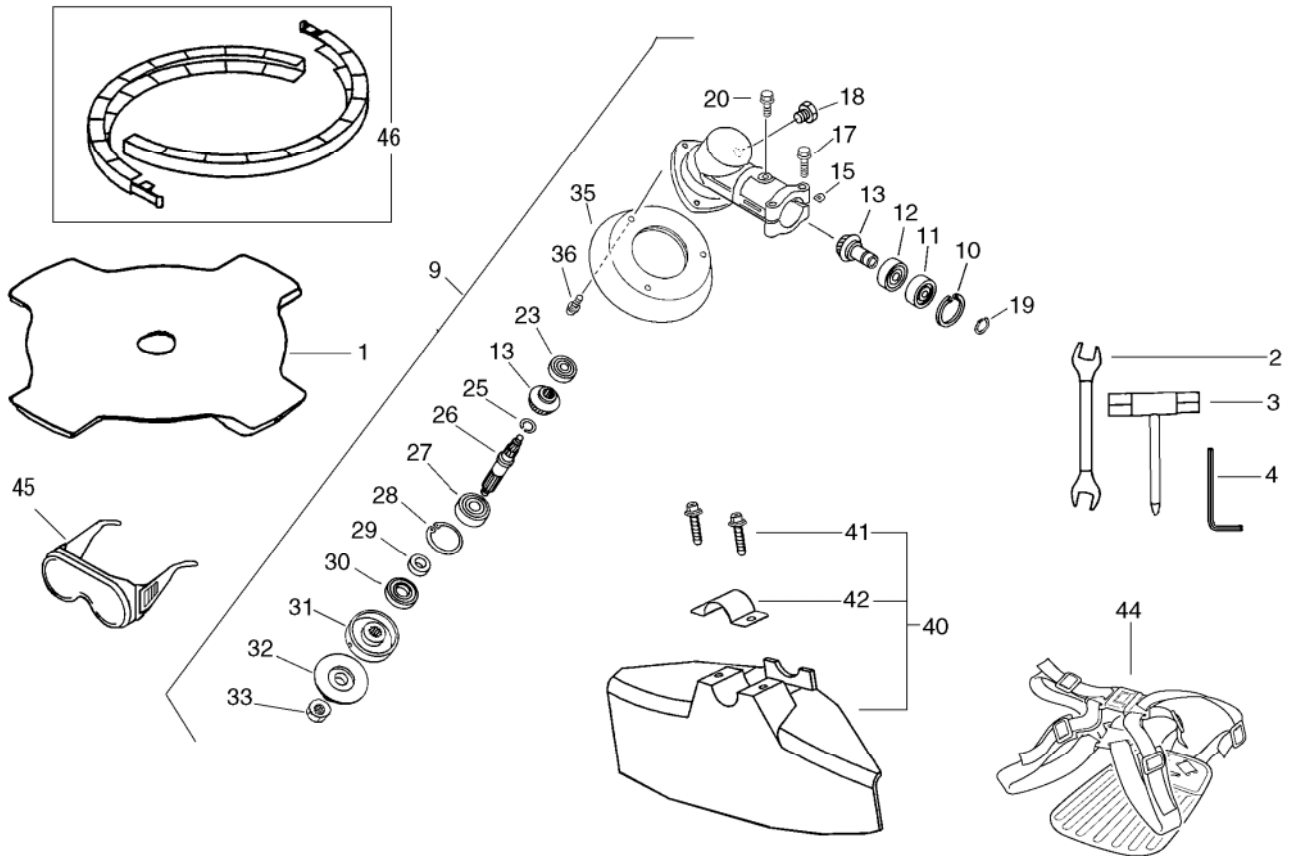
KEY	LV	PART NUMBER	Q'TY	DESCRIPTION	REMARKS	NOTE1	NOTE2
6		P022-007210	2	CLAMP			
8		301200-21330	1	HOOK ASS'Y			
9	+	301015-05330	1	HOOK, BAND			
10	+	900105-05012	1	BOLT, H.S. 5*12	5*12		
16		P022-007110	6	BOLT			
17		P022-007081	1	FIXTURE,HANDLE			
18		P022-007090	1	FIXTURE,HANDLE			
19		P022-007100	1	FIXTURE,HANDLE			
21		P022-007151	1	HANDLE			
22		P022-007120	1	SPACER			
23		P022-007070	1	LABEL			
24		P022-022020	1	MAIN PIPE ASY			
25		P022-006980	1	SHAFT,DRIVE			
30		P022-007131	1	HANDLE ASY			
31	+	P022-007140	1	GRIP			

7. SWITCH



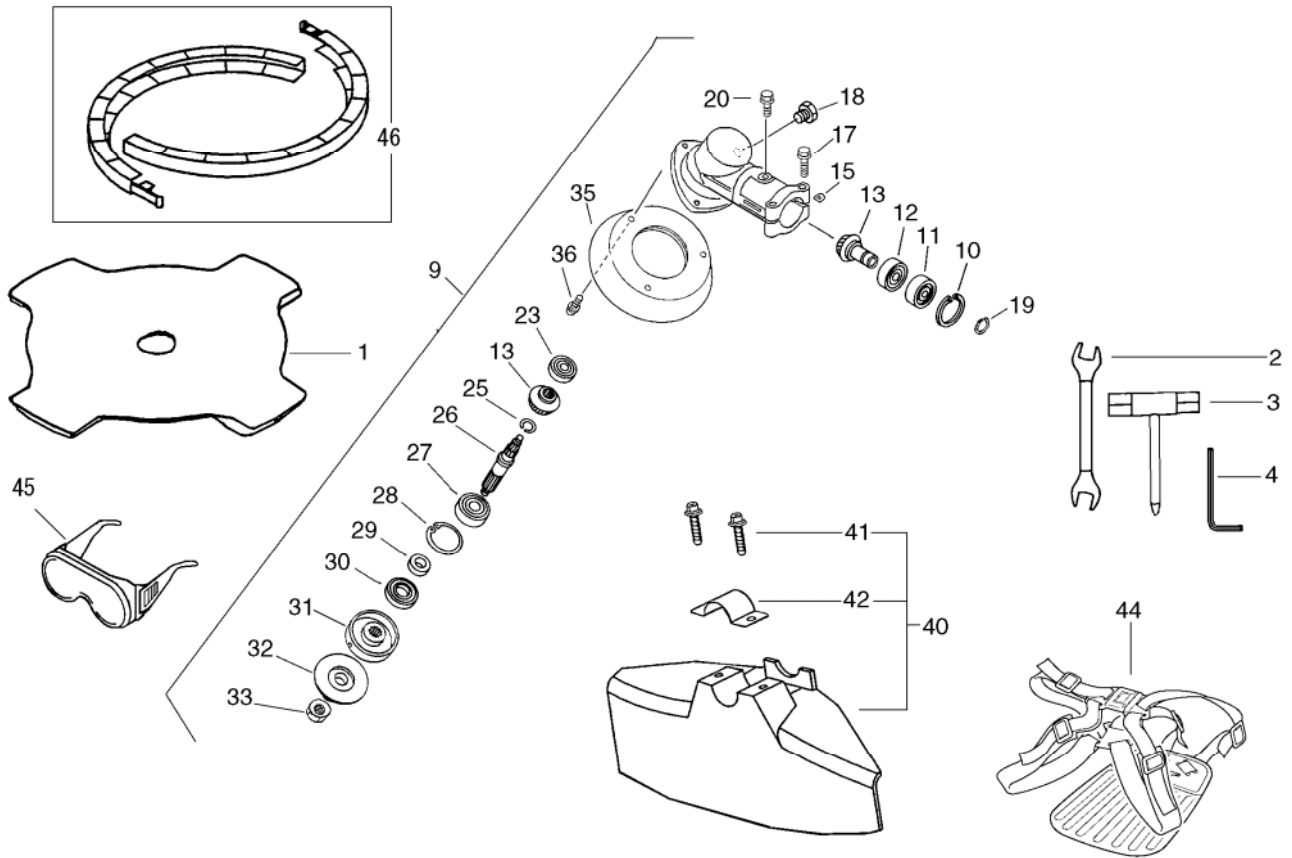
KEY	LV	PART NUMBER	Q'TY	DESCRIPTION	REMARKS	NOTE1	NOTE2
2		P022-007230	1	GRIP,LEVER ASY			
3	+	P022-007350	1	SPRING			
4	+	P022-007280	1	SWITCH			
5	+	P022-007420	1	LABEL			
6	+	P022-007250	1	GRIP L			
7	+	P022-007390	2	NUT			
8	+	P022-007340	1	SPRING			
9	+	P022-007330	1	SPRING			
10	+	P022-007290	1	HOLDER			
11	+	P022-007410	1	SCREW			
12	+	P022-007320	1	SPRING			
13	+	P022-007270	1	LOCKOUT, THROTTLE			
14	+	P022-007310	1	SPRING			
15	+	P022-007260	1	CONTROL, THROTTLE			
20	+	P022-007300	1	KNOB			
21	+	P022-007360	1	SPRING			
22	+	P022-007400	1	BOLT			
24	+	P022-007240	1	GRIP R			
25	+	P022-007370	5	SCREW			
26	+	P022-007380	1	SCREW			
30		P022-007440	1	CORD			
31		V430-000540	1	CABLE,BOWDEN			
32		P022-007450	1	TUBE			

8. GEAR CASE



KEY	LV	PART NUMBER	Q'TY	DESCRIPTION	REMARKS	NOTE1	NOTE2
1		696001-64133	1	SAW,BUSH CUTTER	4X255X25.4 T1.4		
2		P022-007200	1	SPANNER	8*10		
3		P022-007180	1	DRIVER AND SOCKET	17*19		
4		P022-007190	1	L-WRENCH	M5		
9		P022-007041	1	HOUSING ASSY,GEAR			
10	+	900702-00028	1	CIRCLIP 28	CR-28		
11	+	900807-06001	1	BEARING, BALL 6001	6001V(LB)		
12	+	900800-06001	1	BEARING, BALL 6001	6001		
13	+	P022-007460	1	GEAR SET			
15	+	610239-04130	2	WASHER, SHIM			
17	+	P022-007050	2	BOLT	M5-30		
18	+	610434-50031	1	BOLT 8* 8	M8*8		
19	+	900701-00012	1	CIRCLIP 12	CS-12		
20	+	P022-007060	1	BOLT	M5-10		
23	+	900800-36000	1	BEARING, BALL 6000	6000/C3		
25	+	900706-00012	1	CIRCLIP 12	WR-12		
26	+	610310-05730	1	SHAFT, P.T.O.			
27	+	900810-06201	1	BEARING, BALL 6201	6201		
28	+	900702-00032	1	CIRCLIP 32	CR-32		
29	+	610315-07130	1	SPACER			
30	+	610413-07130	1	OILSEAL			
31	+	610313-07130	1	PLATE, ADAPTER (U)	PD 25.4		
32	+	610314-21231	1	PLATE, ADAPTER			
33	+	610320-27430	1	NUT			
35	+	C536-000030	1	COVER,GEAR CASE			

8. GEAR CASE



KEY	LV	PART NUMBER	Q'TY	DESCRIPTION	REMARKS	NOTE1	NOTE2
36	+	900242-05020	3	SCREW 5*20	5*20		
40		P022-007160	1	SHIELD ASY			
41	+	P022-007470	2	BOLT	M6-28		
42	+	P022-007480	1	PLATE			
44		P022-007170	1	HAENESS ASY			
45		X690-000050	1	GOGGLE	GOGGLE + NOTE		
46		P021-007470	1	SCABBARD, BLADE			

Index

Patrs Number	Key No.	Patrs Number	Key No.	Patrs Number	Key No.
100011-10530	1 - 10	610320-27430	8 - 33	A162-000020	1 - 38
100213-00310	1 - 22	610413-07130	8 - 30	A172-001950	1 - 35
100213-05530	1 - 17	610434-50031	8 - 18	A200-000060	3 - 3
100215-03930	1 - 21	696001-64133	8 - 1	A226-000360	3 - 15
123112-40630	5 - 9	900105-05012	6 - 10	A232-000390	3 - 32
123114-40630	5 - 1	900105-05055	3 - 14	A239-000050	3 - 34
123122-05560	5 - 12	900105-06060	3 - 23	A244-000010	3 - 13
123123-03930	5 - 15	900106-05012	4 - 9	A320-000910	3 - 24
123126-10631	5 - 11	900106-05025	3 - 4	A350-000131	4 - 11
123137-19830	5 - 13	900162-05012	3 - 20	A390-000000	4 - 10
123138-03930	5 - 14	900162-05020	1 - 3	A390-000010	4 - 12
123139-05560	5 - 16	900162-05020	2 - 9	A393-000030	4 - 8
123140-27230	5 - 17	900162-05035	1 - 23	A393-000050	4 - 14
123143-12110	5 - 6	900242-05020	8 - 36	A411-000050	2 - 10
123144-44330	5 - 20	900323-03014	2 - 19	A426-000000	2 - 2
123149-54230	5 - 4	900502-00008	2 - 24	A427-000000	2 - 1
123172-45130	5 - 3	900519-00010	2 - 17	A553-000040	2 - 15
123173-07930	5 - 5	900701-00012	1 - 27	A556-001410	1 - 24
123181-39130	3 - 30	900701-00012	8 - 19	A557-000000	2 - 12
131004-55530	4 - 2	900702-00028	1 - 25	C536-000030	8 - 35
131016-55830	4 - 3	900702-00028	8 - 10	P003-000100	5 - 8
131051-56030	4 - 4	900702-00032	8 - 28	P003-000180	5 - 2
131205-19831	4 - 27	900702-00045	1 - 31	P003-001130	5 - 7
131300-56430	4 - 22	900706-00012	8 - 25	P003-001490	5 - 10
132010-53630	4 - 20	900800-06001	8 - 12	P003-001500	5 - 19
132012-02960	4 - 24	900800-36000	8 - 23	P003-001850	5 - 18
132012-39331	3 - 27	900807-06001	1 - 26	P021-002471	1 - 16
132013-26630	4 - 23	900807-06001	8 - 11	P021-005911	2 - 18
132013-26630	4 - 26	900810-06201	8 - 27	P021-007470	8 - 46
132115-55930	4 - 25	900810-36202	1 - 19	P021-008900	3 - 21
156114-04920	2 - 6	91118-05012	1 - 33	P021-009590	3 - 12
159010-10230	2 - 3	91118-05020	1 - 34	P021-012110	3 - 18
162010-55630	2 - 8	91118-05028	1 - 32	P021-014260	1 - 9
175049-03920	2 - 14	91121-05012	1 - 41	P021-016610	2 - 11
177218-40630	2 - 23	91121-05012	3 - 25	P022-002080	2 - 28
177220-06310	2 - 29	91121-05020	1 - 36	P022-002100	2 - 21
177226-06310	2 - 30	91121-05020	2 - 33	P022-006980	6 - 25
177227-42030	2 - 31	91121-05020	3 - 26	P022-007041	8 - 9
177228-27030	2 - 32	91121-05020	4 - 16	P022-007050	8 - 17
177234-40630	2 - 22	91121-05025	4 - 17	P022-007060	8 - 20
177236-06910	2 - 27	94035-36201	1 - 18	P022-007070	6 - 23
301015-05330	6 - 9	A011-000330	1 - 15	P022-007081	6 - 17
301200-21330	6 - 8	A021-001172	3 - 9	P022-007090	6 - 18
437215-20760	3 - 28	A021-001172	5 -	P022-007100	6 - 19
610239-04130	8 - 15	A051-000070	2 - 26	P022-007110	6 - 16
610310-05730	8 - 26	A052-000011	2 - 20	P022-007120	6 - 22
610313-07130	8 - 31	A128-000060	3 - 1	P022-007131	6 - 30
610314-21231	8 - 32	A130-000870	1 - 2	P022-007140	6 - 31
610315-07130	8 - 29	A160-000241	1 - 39	P022-007151	6 - 21

Index

Patrs Number	Key No.	Patrs Number	Key No.	Patrs Number	Key No.
P022-007160	8 - 40	V555-000010	1 - 13		
P022-007170	8 - 44	V580-000010	1 - 12		
P022-007180	8 - 3	V608-000000	1 - 11		
P022-007190	8 - 4	X502-000460	2 - 35		
P022-007200	8 - 2	X547-001850	1 - 40		
P022-007210	6 - 6	X690-000050	8 - 45		
P022-007230	7 - 2				
P022-007240	7 - 24				
P022-007250	7 - 6				
P022-007260	7 - 15				
P022-007270	7 - 13				
P022-007280	7 - 4				
P022-007290	7 - 10				
P022-007300	7 - 20				
P022-007310	7 - 14				
P022-007320	7 - 12				
P022-007330	7 - 9				
P022-007340	7 - 8				
P022-007350	7 - 3				
P022-007360	7 - 21				
P022-007370	7 - 25				
P022-007380	7 - 26				
P022-007390	7 - 7				
P022-007400	7 - 22				
P022-007410	7 - 11				
P022-007420	7 - 5				
P022-007440	7 - 30				
P022-007450	7 - 32				
P022-007460	8 - 13				
P022-007470	8 - 41				
P022-007480	8 - 42				
P022-022020	6 - 24				
V100-000040	1 - 4				
V102-000001	1 - 20				
V103-000070	3 - 2				
V103-000080	3 - 5				
V104-000210	3 - 19				
V141-000020	2 - 4				
V150-000550	3 - 22				
V186-000080	3 - 29				
V253-000100	3 - 31				
V307-000060	1 - 14				
V353-000020	1 - 37				
V420-000980	1 - 30				
V430-000540	7 - 31				
V451-000480	2 - 13				
V453-000100	2 - 16				
V471-001560	3 - 33				
V475-001610	2 - 5				

YAMABIKO CORPORATION

7-2 SUEHIROCHO 1-CHOME, OHME, TOKYO 198-8760, JAPAN
PHONE: 81-428-32-6118. FAX: 81-428-32-6145.



11Eb
No. 03-181