



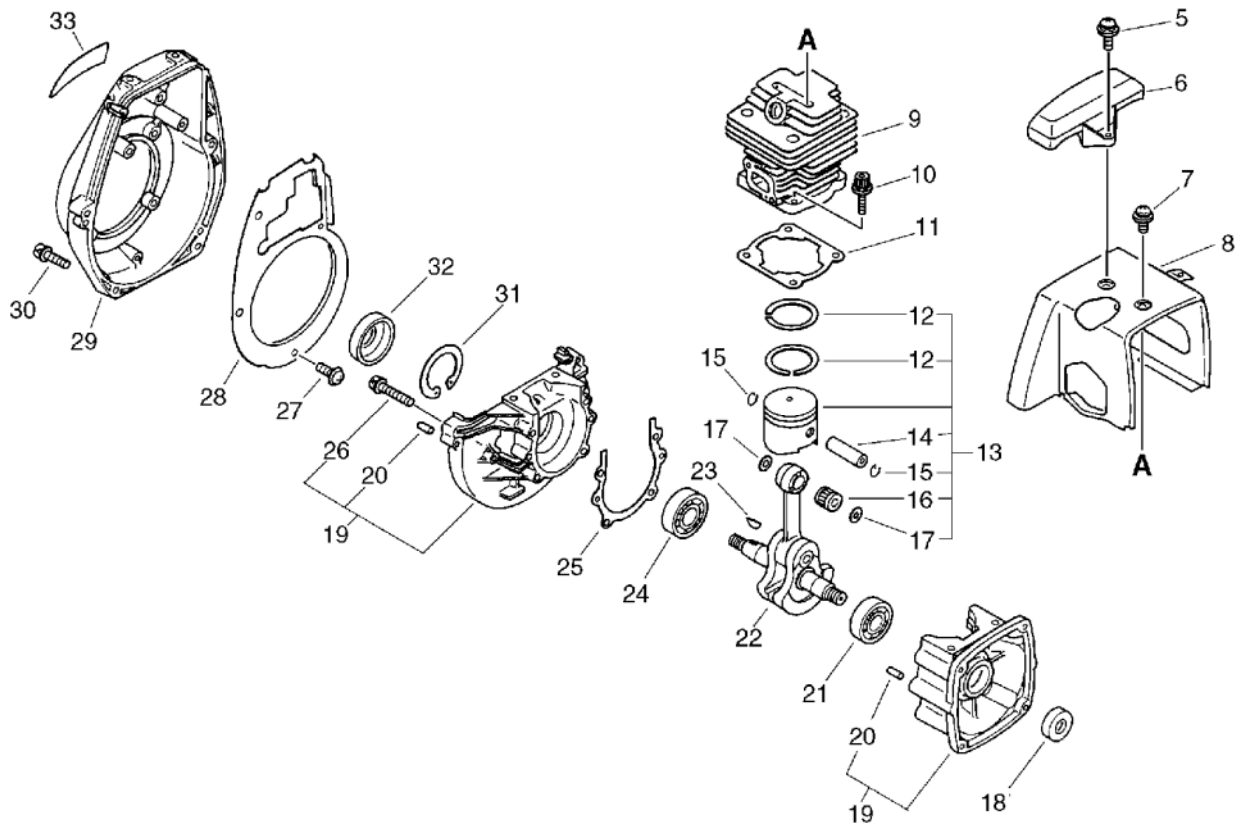
PARTS CATALOGUE

GRASS-TRIMMER / BRUSHCUTTER

SRM-3800

1. Cylinder, Crankcase, Piston, Fan Cover

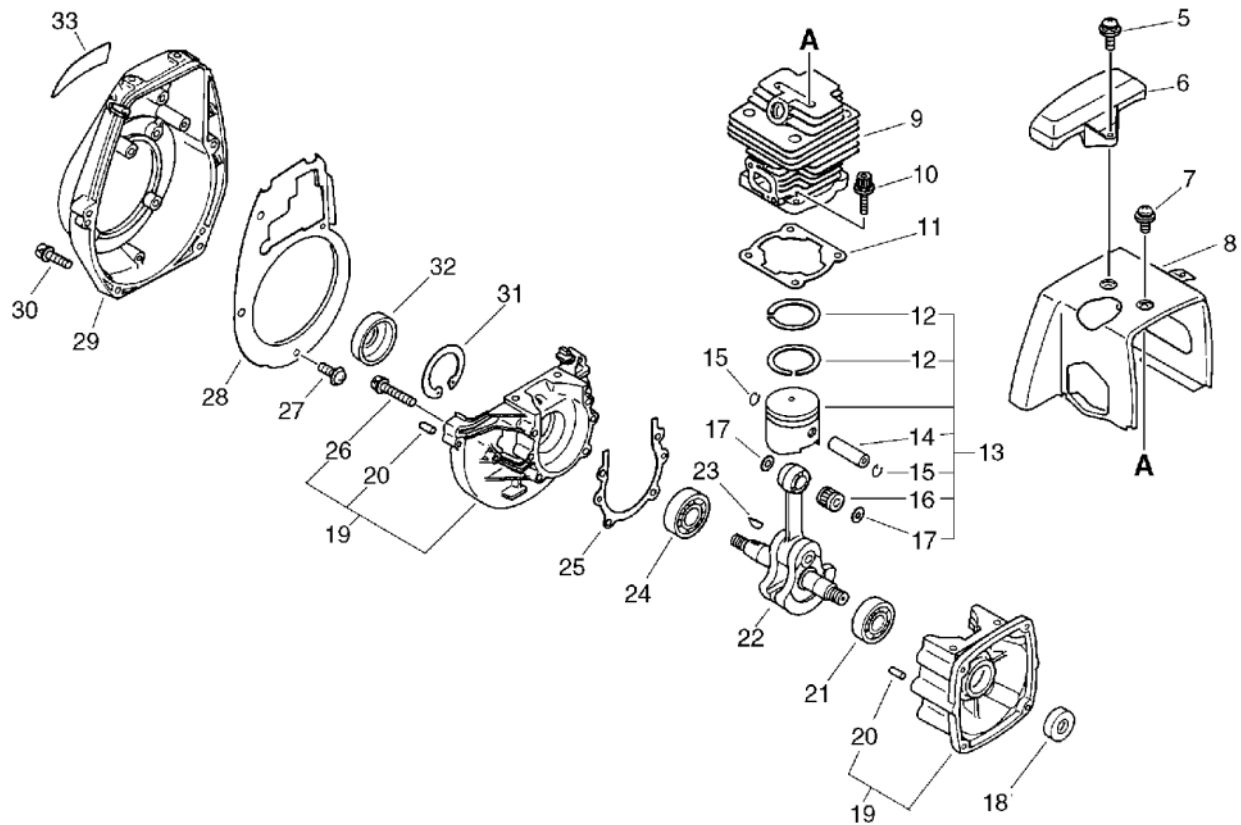
No.1



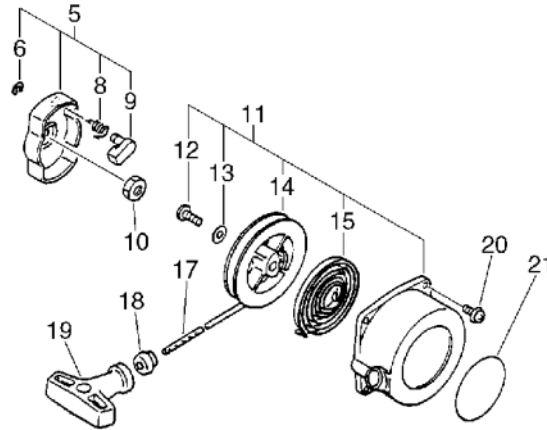
KEY	LV	PART NUMBER	Q'TY	DESCRIPTION	REMARKS	NOTE1	NOTE2
5		900238-05014	3	SCREW 5*14	5*14		
6		159905-43130	1	GUARD, TOP			
7		900238-05010	1	SCREW 5*10	5*10		
8		101514-42230	1	COVER, CYLINDER (BS)			
9		101011-43130	1	CYLINDER			
10		900162-05020	4	BOLT, H.S. 5*20	5*20 W,SW		
11		101010-42231	1	GASKET, CYL. BASE			
13		100000-43130	1	PISTON KIT		Sus. by 100000-43131	
13		100000-43131	1	PISTON KIT			
12	+	100011-42230	2	RING, PISTON			
14	+	100013-00410	1	PIN, PISTON	6*10*29.8		
15	+	100015-00120	2	CIRCLIP, PISTON PIN			
16	+	100012-27930	1	BEARING, NEEDLE		Sus. by 100012-12331	
16	+	100012-12331	1	BEARING, NEEDLE			
17	+	100014-17330	2	SPACER, PISTON PIN		Sus. by V307-000050	
17	+	V307-000050	2	WASHER,CIRCULAR 10			
18		100212-27930	1	OILSEAL	ISD 12 25 7		
19		100200-42230	1	CRANKCASE SET			
20	+	100215-02830	4	PIN, DOWEL			
26	+	900162-05030	4	BOLT, H.S. 5*30	5*30 W,SW		
21		900810-36201	1	BEARING, BALL 6201	6201/C3	Sus. by 94035-36201	
21		94035-36201	1	BEARING BALL	6201X3JR2C3		

1. Cylinder, Crankcase, Piston, Fan Cover

No.1



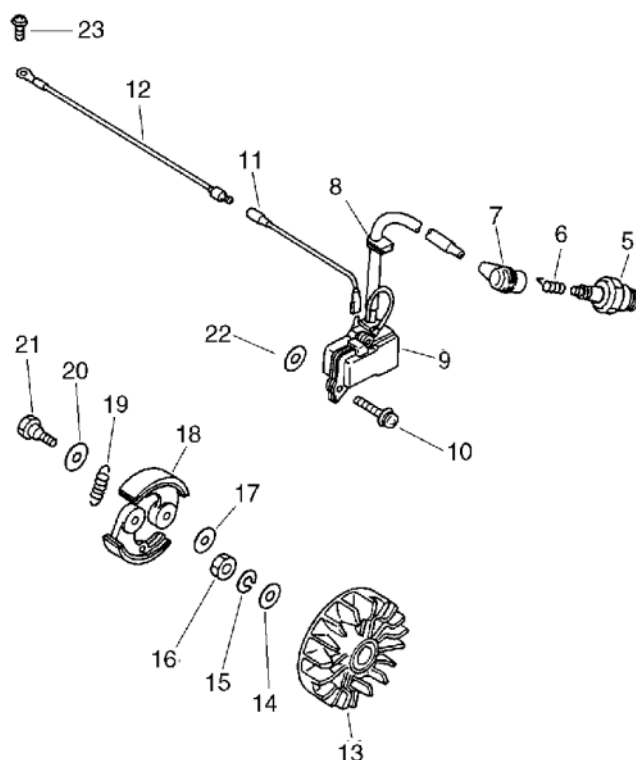
KEY	LV	PART NUMBER	Q'TY	DESCRIPTION	REMARKS	NOTE1	NOTE2
22		100100-43130	1	CRANKSHAFT ASSY			
23		100142-12330	1	KEY, WOODRUFF			
24		900810-36202	1	BEARING, BALL 6202	6202/C3		
25		100242-42230	1	GASKET, CRANKCASE			
27		900238-04010	4	SCREW 4*10	4*10		
28		101534-42230	1	PLATE, GUIDE			
29		101511-42230	1	COVER, FAN (BS)			
30		900162-05025	4	BOLT, H.S. 5*25	5*25 W,SW		
31		900702-00035	1	CIRCLIP 35	CR-35		
32		100213-02830	1	OILSEAL	ISMX15,35,6		
33		890611-43130	1	LABEL, MODEL			

2. Starter**No.2**

KEY	LV	PART NUMBER	Q'TY	DESCRIPTION	REMARKS	NOTE1	NOTE2
5		177202-41030	1	PAWL ASSY, STARTER			
6	+	900700-00004	1	E-RING 4	CE-4		
8	+	177234-40630	1	SPRING, RETURN			
9	+	177218-40630	1	PAWL, STARTER	WHITE		
10		900502-00008	1	NUT 8 (3N)	3N8		
11		177200-43130	1	STARTER ASSY (BS)		Sus. by A051-000170	
11		A051-000170	1	STARTER, RECOIL			
12	+	177236-40630	1	SCREW			
13	+	177214-41030	1	WASHER			
14	+	177215-43130	1	DRUM, STARTER			
15	+	177220-40630	1	SPRING, REWIND			
17	+	177226-01110	1	ROPE, STARTER	4.0*880		
18	+	177227-05530	1	GUIDE, ROPE		Can be used on the 177200-43130 only	
18	+	177227-42030	1	GUIDE, ROPE		Can be used on the A051-000170 only	
19	+	177228-11120	1	GRIP, STARTER			
20		900162-04020	4	BOLT, H.S. 4*20	4*20 W,SW		
21		890118-49330	1	LABEL, ECHO			

3. Magneto, Clutch

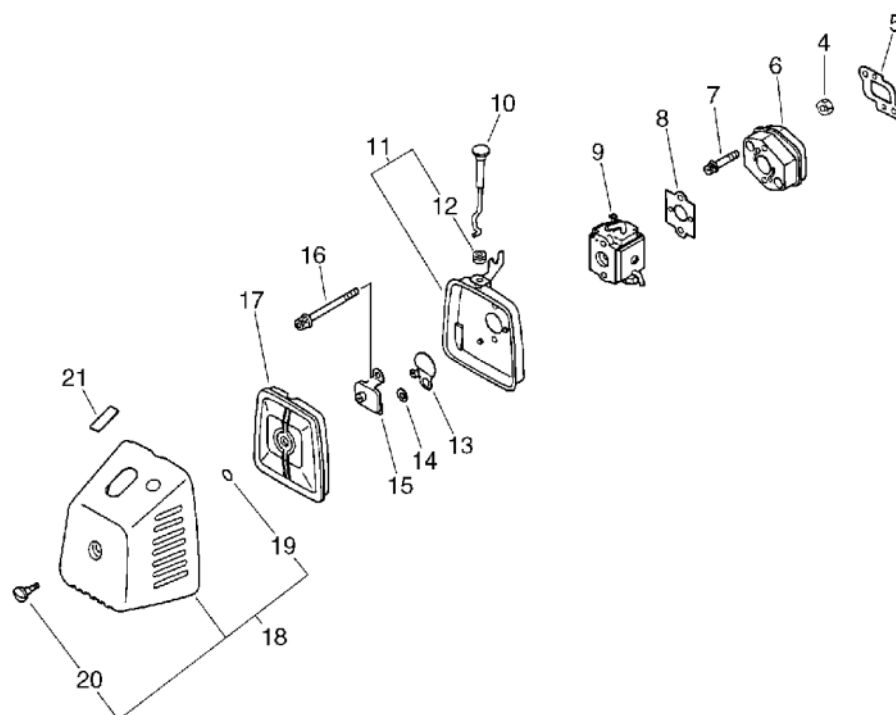
No.3



KEY	LV	PART NUMBER	Q'TY	DESCRIPTION	REMARKS	NOTE1	NOTE2
5		159017-10230	1	PLUG, SPARK (RCJ-7Y)	RCJ-7Y		
6		159011-03432	1	COIL, SPARK PLUG			
7		159012-03433	1	CAP, SPARK PLUG			
8		156112-40630	1	GROMMET			
9		156626-42230	1	COIL, IGNITION		Sus. by set of 156601-12920 and 900600-00006	
9		156601-12920	1	COIL,IGNITION			
10		900238-05020	2	SCREW 5*20	5*20		
11		162021-42230	1	LEAD			
12		156635-43130	1	LEAD, GROUND			
13		156801-42230	1	FLYWHEEL			
14		900600-00010	1	WASHER 10	10		
15		900605-00010	1	WASHER, SPRING 10	10		
16		900503-00010	1	NUT 10 (3N *1.25)	3N10*P1.25		
17		175049-03920	2	WASHER			
18		175009-42231	2	SHOE, CLUTCH			
19		175018-42230	1	SPRING, CLUTCH			
20		175048-03920	2	WASHER			
21		175046-06230	2	BOLT, CLUTCH			
22		900600-00006	2	WASHER 6	6		
23		900238-05010	1	SCREW 5*10	5*10		

4. Air Cleaner

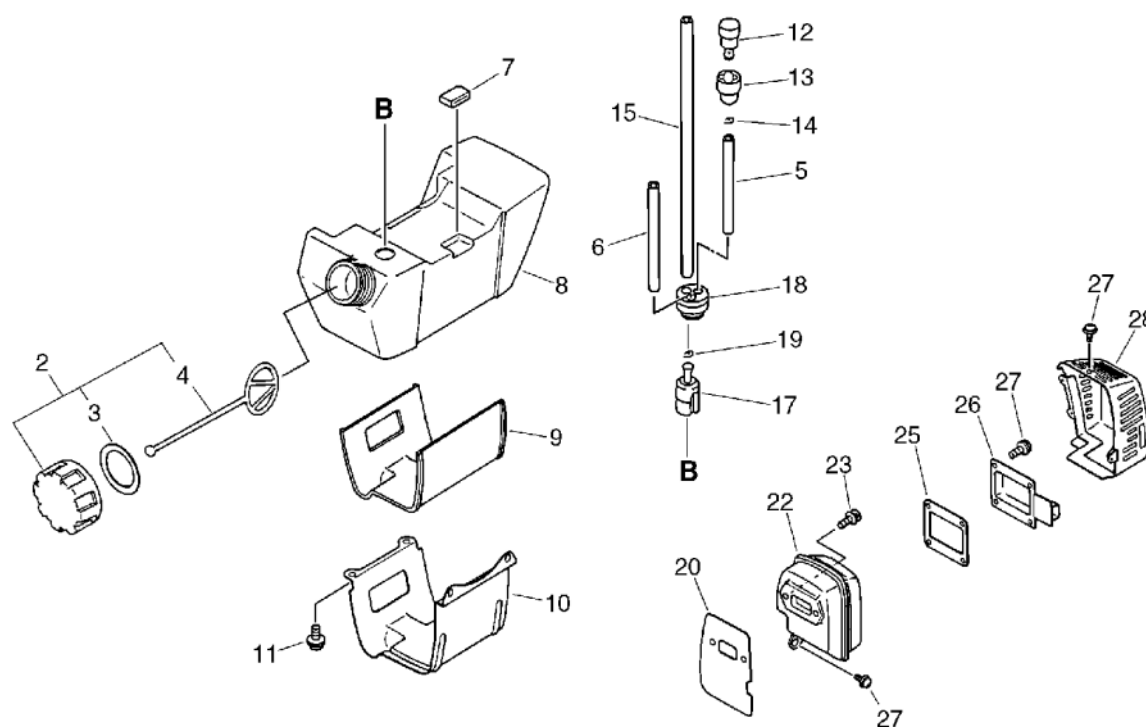
No.4



KEY	LV	PART NUMBER	Q'TY	DESCRIPTION	REMARKS	NOTE1	NOTE2
4		900500-00005	2	NUT 5	5		
5		130016-42231	1	GASKET, INTAKE			
6		130017-43130	1	INSULATOR			
7		900162-05025	2	BOLT, H.S. 5*25	5*25 W,SW		
8		130016-06231	1	GASKET		Sus. by 130016-06232	
8		130016-06232	1	GASKET, INTAKE			
9		123000-51430	1	CARBURETOR ASSY	WT-297		
10		178510-43130	1	ROD, CHOKE			
11		130301-43130	1	CASE, AIR CLEANER			
12	+	178810-05230	1	GROMMET			
13		178515-43130	1	SHUTTER, CHOKE			
14		178516-00830	2	SPACER	5.2*8*0.8T		
15		129006-43130	1	PLATE			
16		900242-05057	2	SCREW 5*57	5*57		
17		130310-43130	1	FILTER, AIR			
18		130302-43131	1	COVER ASSY, AIR CLN.		Sus. by 130302-43132	
18		130302-43132	1	COVER ASSY, AIR CLN.			
19	+	900720-00004	1	O-RING (P-4)	P-4		
20	+	130415-40630	1	SCREW			
21		890121-47530	1	LABEL, CHOKE			

5. Muffler, Fuel Tank

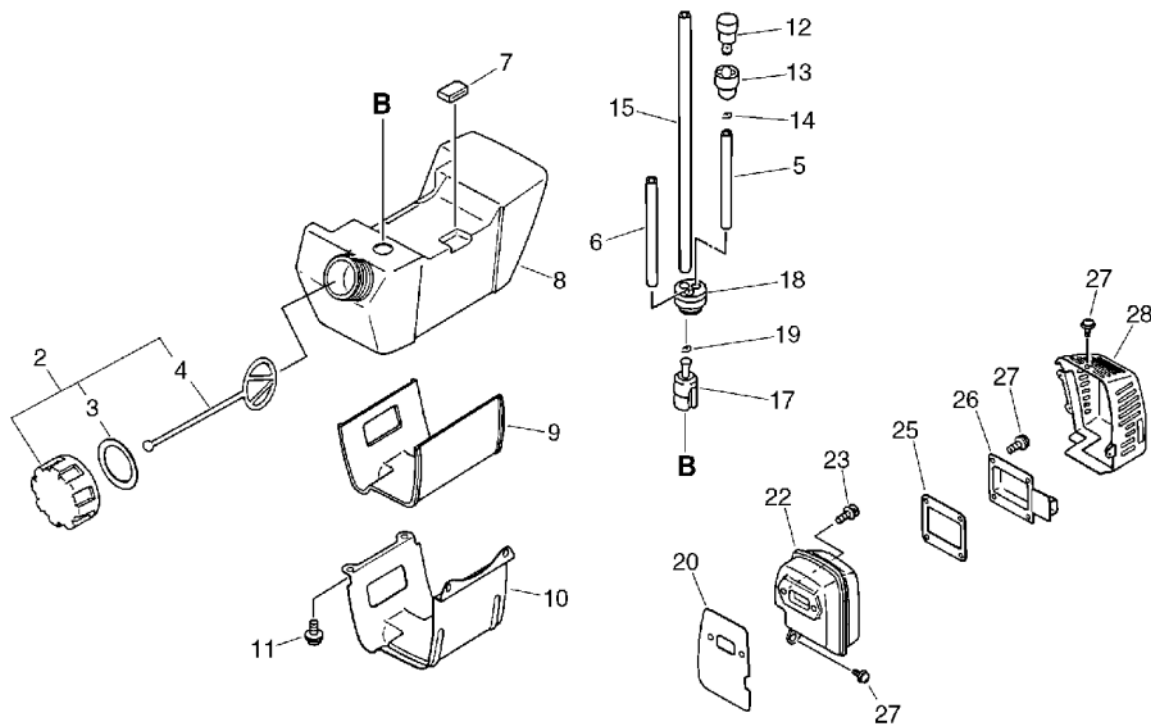
No.5



KEY	LV	PART NUMBER	Q'TY	DESCRIPTION	REMARKS	NOTE1	NOTE2
2		131004-46730	1	CAP ASSY, FUEL TANK		Sus. by 131004-08960	
2		131004-08960	1	CAP ASSY, FUEL			
3	+	131016-40930	1	GASKET, FUEL CAP		Can be used on the 131004-46730 only	
3	+	131016-55830	1	GASKET, FUEL CAP		Can be used on the 131004-08960 only	
4	+	131051-52430	1	CONNECTOR, CAP	80L		
5		132010-51230	1	PIPE	3*5*60 NBR		
6		132012-51030	1	PIPE 3*5* 90	3*5*90 ㊦ ニー㊦	Sus. by 132010-56330	
6		132010-56330	1	PIPE 3*6*90	3*6*90 YL		
7		131923-11120	3	CUSHION			
8		131010-43130	1	TANK, FUEL		Sus. by 131010-46931	
8		131010-46930	1	TANK, FUEL		Sus. by 131010-46931	
8		131010-46931	1	TANK, FUEL			
9		131924-43130	1	CUSHION			
10		131910-43130	1	BRACKET, FUEL TANK (BL)			
11		900238-05014	2	SCREW 5*14	5*14		
12		131328-40630	1	COVER, VENT			

5. Muffler, Fuel Tank

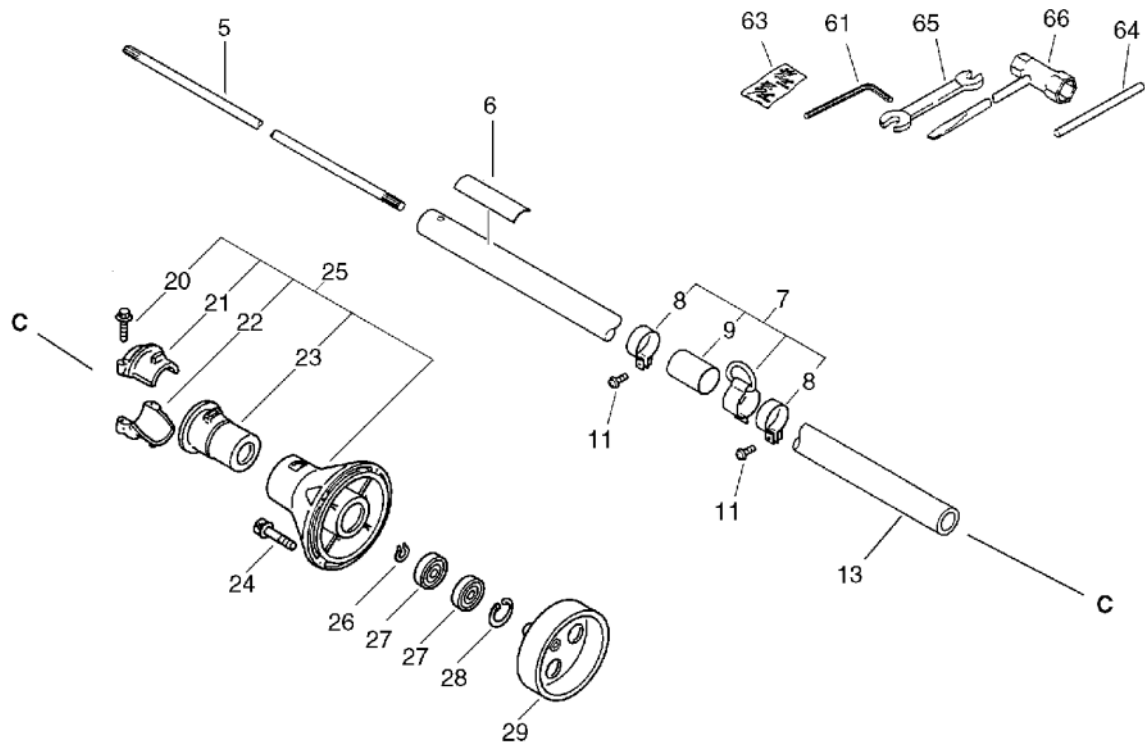
No.5



KEY	LV	PART NUMBER	Q'TY	DESCRIPTION	REMARKS	NOTE1	NOTE2
13		131300-40630	1	VALVE, CHECK		Sus. by 131300-56430	
13		131300-56430	1	VALVE, CHECK			
14		130111-00530	1	CLIP	5.5		
15		132010-13930	1	PIPE, FUEL	3*5*180L NBR		
17		131205-19830	1	STRAINER, FUEL			
18		132115-46730	1	GROMMET, FUEL			
19		132013-09820	1	CLIP	6MM		
20		145510-42231	1	GASKET, MUFFLER			
22		145610-43130	1	MUFFLER (BL)			
23		900162-05020	2	BOLT, H.S. 5*20	5*20 W,SW		
25		145866-43131	1	GASKET, MUFFLER LID			
26		145867-43130	1	HOLDER (BL)		Sus. by 145867-43131	
26		145867-43131	1	LID, MUFFLER			
27		900238-04010	7	SCREW 4*10	4*10		
28		145871-43130	1	COVER, MUFFLER			
29		900238-05014	1	SCREW 5*14	5*14		

6. Drive Shaft, Tools

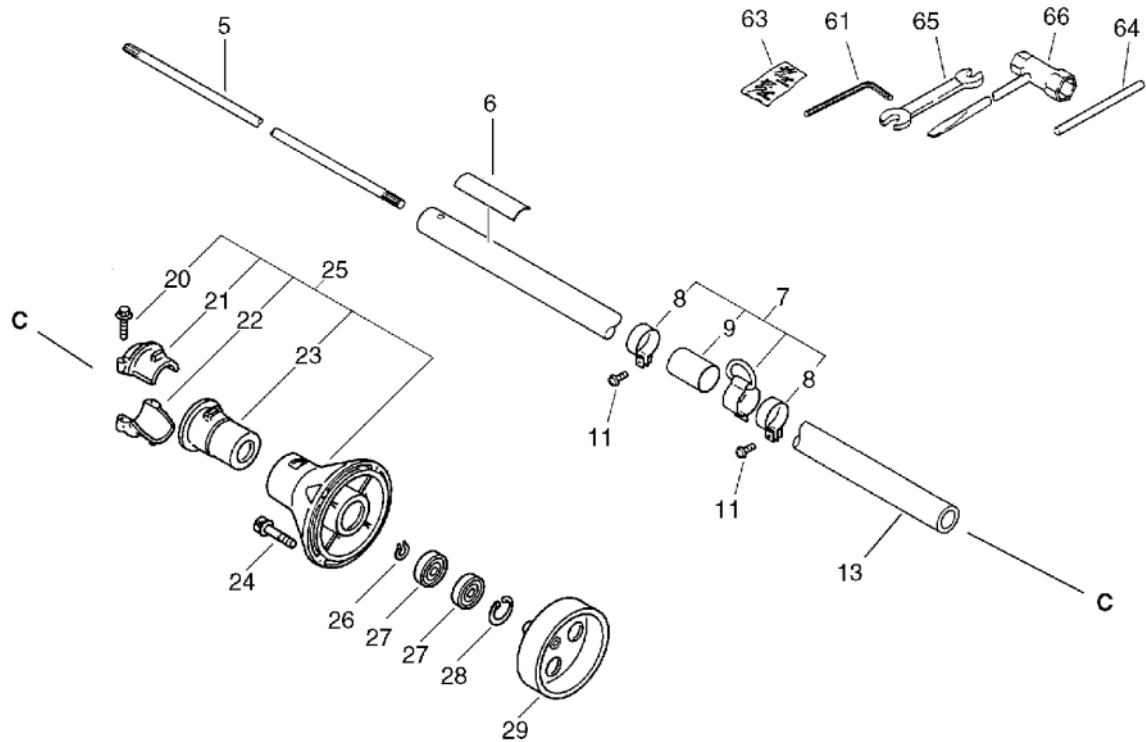
No.6



KEY	LV	PART NUMBER	Q'TY	DESCRIPTION	REMARKS	NOTE1	NOTE2
5		610011-06230	1	SHAFT, DRIVE			
6		890617-46830	1	LABEL, CAUTION		Sus. by 890617-43130	
6		890617-43130	1	LABEL, CAUTION			
7		301200-06230	1	HOOK ASS'Y			
8	+	301207-05630	2	HOOK			
9	+	301224-06230	1	GUIDE			
11	+	900242-05014	2	SCREW 5*14	5*14		
13		610206-43130	1	HOUSING ASSY, D.SHFT			
20		900142-05025	2	BOLT 5*25 (W/W,SW)	5*25		
21		610922-40430	1	HOLDER			
22		610923-40430	1	HOLDER			
23		610910-40430	1	CUSHION			
24		900162-05020	4	BOLT, H.S. 5*20	5*20 W,SW		
25		610205-43130	1	FLANGE (BS)		Sus. by 610203-43130	
25		610203-43130	1	FLANGE, ASY			
20	+	900142-05025	2	BOLT 5*25 (W/W,SW)	5*25		
21	+	610922-43130	1	HOLDER, MAIN PIPE		Can be used on the 610203-43130 only	
22	+	610922-55630	1	HOLDER, PIPE		Can be used on the 610203-43130 only	

6. Drive Shaft, Tools

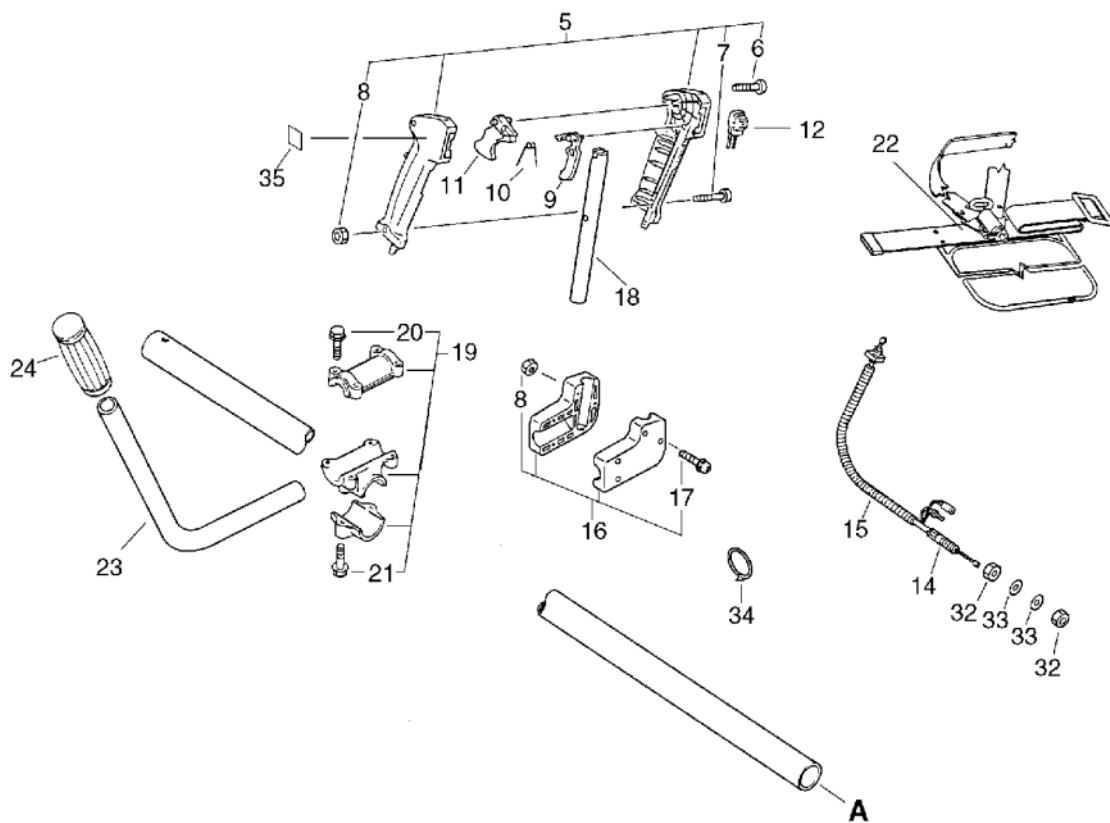
No.6



KEY	LV	PART NUMBER	Q'TY	DESCRIPTION	REMARKS	NOTE1	NOTE2
23	+	610910-51830	1	CUSHION		Can be used on the 610203-43130 only	
26		900701-00012	1	CIRCLIP 12	CS-12		
27		900807-06001	2	BEARING, BALL 6001	6001V(LB)		
28		900702-00028	1	CIRCLIP 28	CR-28		
29		175005-43130	1	DRUM, CLUTCH			
61		895610-00130	1	L-WRENCH (4MM)			
63		898502-01130	1	PIN 2*22 (W/POUCH)			
64		897518-01131	1	LOCKING TOOL			
65		895112-00330	1	SPANNER 8*10			
66		895410-08030	1	WRENCH, W/S. DRIVER		Sus. by X602-000020	
66		X602-000020	1	TOOL,WRENCH	17*19 L200		

7. Handle

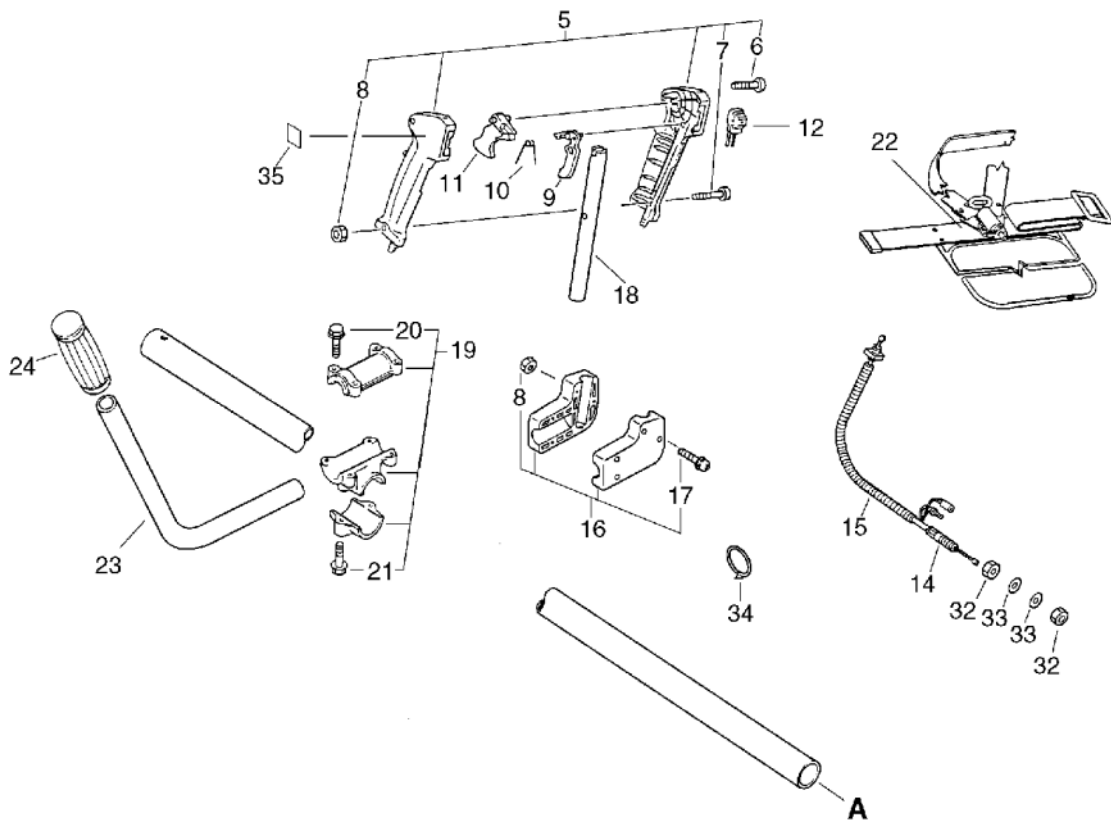
No.7



KEY	LV	PART NUMBER	Q'TY	DESCRIPTION	REMARKS	NOTE1	NOTE2
5		351102-47530	1	GRIP ASSY, F-HANDLE			
6	+	900246-03025	4	SCREW 3*25	3*25		
7	+	900220-05030	1	SCREW 5*30	5*30		
8	+	900500-00005	1	NUT 5	5		
9		178012-05960	1	LOCKOUT, THROTTLE			
10		178013-35631	1	SPRING, THR. LOCK			
11		178010-05960	1	CONTROL, THROTTLE			
12		163401-43130	1	SWITCH, IGNITION			
14		178001-43230	1	WIRE, THROTTLE			
15		178127-43230	1	TUBE	7*820		
16		351202-51430	1	BRACKET ASSY, HANDLE			
8	+	900500-00005	4	NUT 5	5		
17	+	900162-05020	4	BOLT, H.S. 5*20	5*20 W,SW		
18		351210-52430	1	HANDLE, FRONT			
19		351301-04130	1	BRACKET ASS'Y, HNDL.			
20	+	900162-05025	4	BOLT, H.S. 5*25	5*25 W,SW		
21	+	900142-06030	2	BOLT 6*30 (W/W,SW)	6*30		
22		301300-24830	1	HARNESS ASSY		Sus. by 301001-52130	
22		301300-24831	1	HARNESS ASSY		Sus. by 301001-52130	
22		301001-52130	1	HARNESS, SHOULDER			
23		351110-52430	1	HANDLE, FRONT			
24		351311-02330	1	GRIP, HANDLE			
32		900502-00006	2	NUT 6 (3N)	3N6		
33		900600-00006	2	WASHER 6	6		

7. Handle

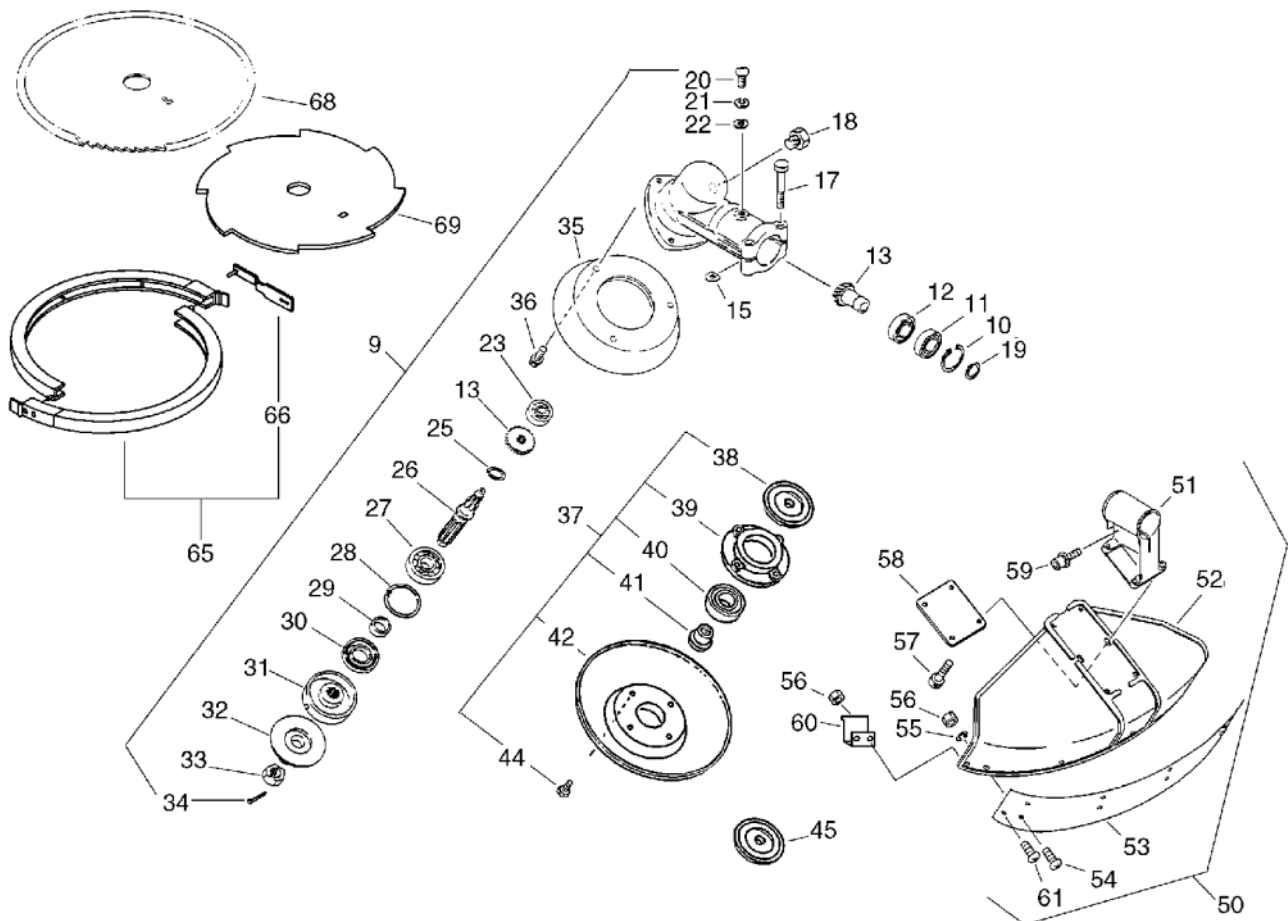
No.7



KEY	LV	PART NUMBER	Q'TY	DESCRIPTION	REMARKS	NOTE1	NOTE2
34		178121-43230	2	BAND	CV-150 BL		
35		890157-39130	1	LABEL, SWITCH			

8. Gear Case, Shield, Blade

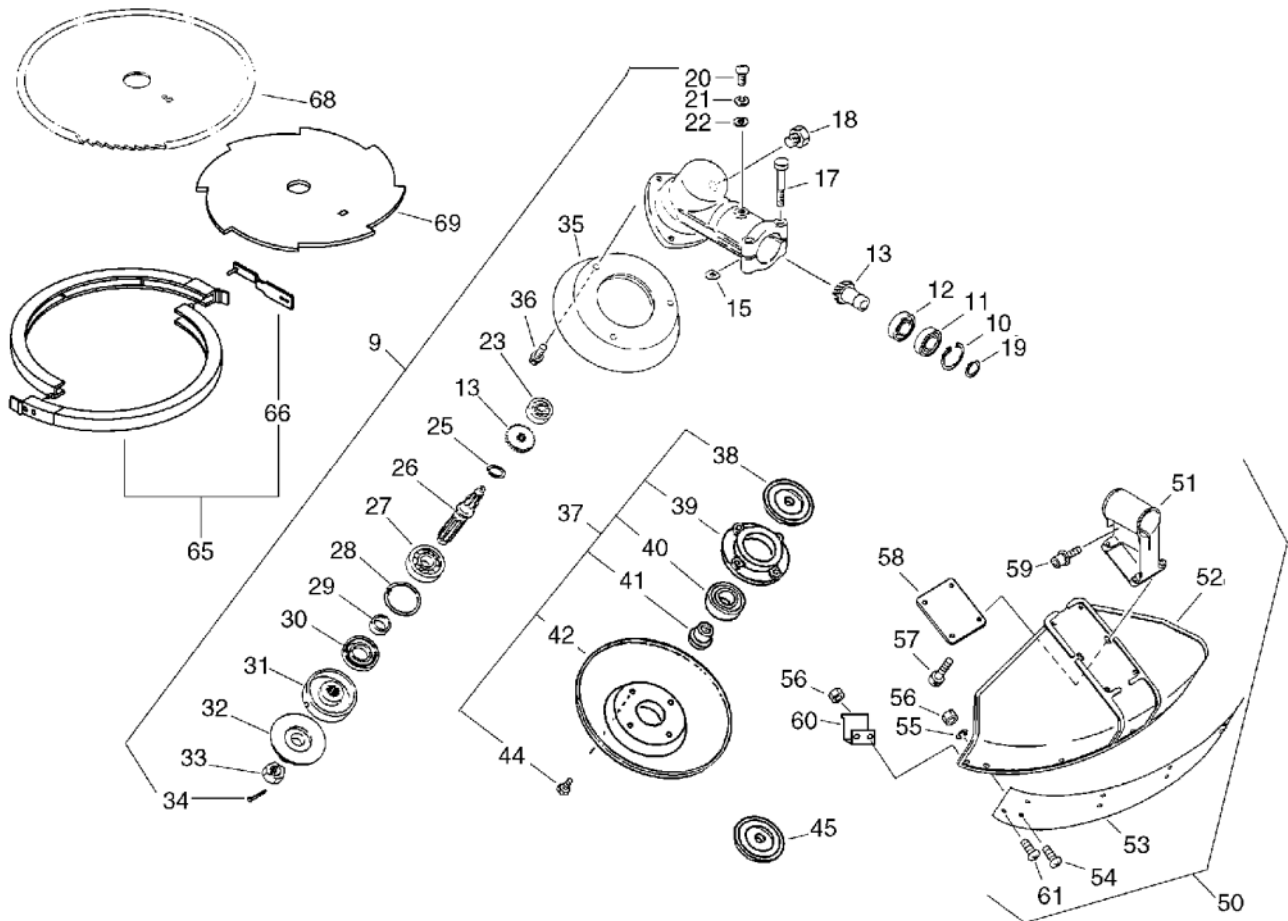
No.8



KEY	LV	PART NUMBER	Q'TY	DESCRIPTION	REMARKS	NOTE1	NOTE2
9		610400-40430	1	HOUSING ASSY, GEAR			
10	+	900702-00028	1	CIRCLIP 28	CR-28		
11	+	900807-06001	1	BEARING, BALL 6001	6001V(LB)		
12	+	900800-06001	1	BEARING, BALL 6001	6001		
13	+	610300-40430	1	GEAR SET			
15	+	610239-04130	2	WASHER, SHIM			
17	+	900142-05030	2	BOLT 5*30 (W/W,SW)	5*30		
18	+	610434-50030	1	BOLT 8* 6		Sus. by 610434-50031	
18	+	610434-50031	1	BOLT 8* 8	M8*8		
19	+	900701-00012	1	CIRCLIP 12	CS-12		
20	+	900220-05010	1	SCREW 5*10	5*10		
21	+	900605-00005	1	WASHER, SPRING 5	5		
22	+	900600-00005	1	WASHER 5	5		
23	+	900800-36000	1	BEARING, BALL 6000	6000/C3		
25	+	900706-00012	1	CIRCLIP 12	WR-12		
26	+	610310-07130	1	SHAFT, P.T.O.			
27	+	900810-06201	1	BEARING, BALL 6201	6201		
28	+	900702-00032	1	CIRCLIP 32	CR-32		
29	+	610315-07130	1	SPACER			
30	+	610413-07130	1	OILSEAL			
31	+	610313-07130	1	PLATE, ADAPTER (U)	PD 25.4		
32	+	610314-07130	1	PLATE, ADAPTER (L)			
33	+	900511-00010	1	NUT 10 (L-H)	10*P1.25		
34	+	900300-20022	1	PIN, SPLIT 2*22	2*22		
35	+	610443-21232	1	PLATE, GUARD			

8. Gear Case, Shield, Blade

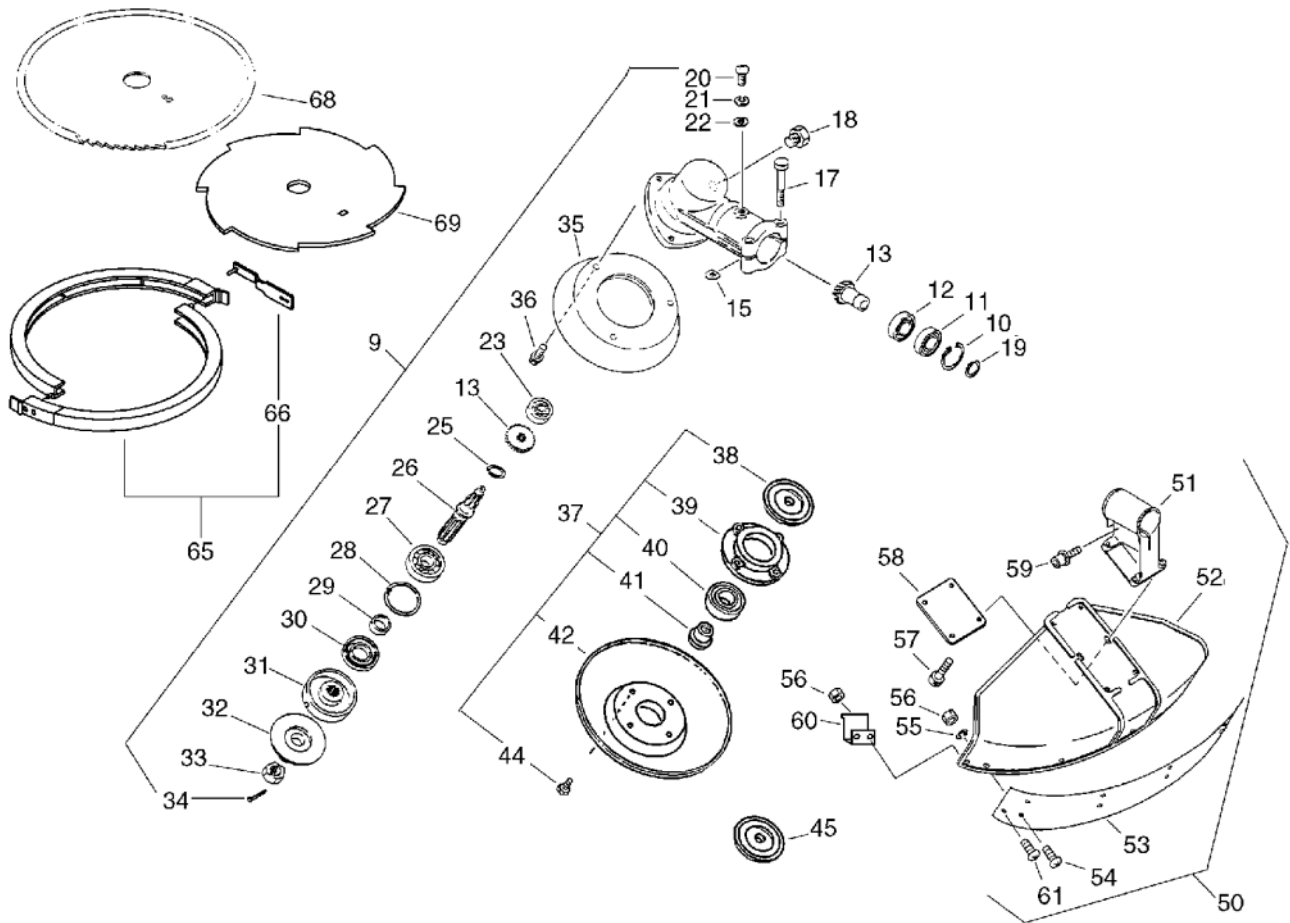
No.8



KEY	LV	PART NUMBER	Q'TY	DESCRIPTION	REMARKS	NOTE1	NOTE2
36	+	900238-05020	3	SCREW 5*20	5*20		
37		699200-07131	1	CUP ASSY, FREE			
38	+	610333-07130	1	PLATE, ADAPTER (L)			
39	+	699226-05430	1	HOLDER, BEARING			
40	+	900814-06202	1	BEARING, BALL 6202	6202ZZ		
41	+	699227-04630	1	NUT			
42	+	699228-08930	1	PLATE, COVER			
44	+	900141-05012	4	BOLT 5*12	5*12		
45		610336-07131	1	PLATE, ADAPTER (L)			
50		699001-50430	1	SHIELD ASSY			
51	+	699011-43130	1	BRACKET, SHIELD			
52	+	699010-54430	1	SHIELD, BLADE			
53	+	699013-52130	1	PLATE, SHIELD			
54	+	900242-05018	4	SCREW 5*18	5*18		
55	+	900603-00005	4	WASHER 5	5.5*12*0.8		
56	+	900500-00005	6	NUT 5	5		
57	+	900242-05014	4	SCREW 5*14	5*14		
58	+	699015-52130	1	PLATE, SHIELD			
59	+	900142-05025	2	BOLT 5*25 (W/W,SW)	5*25		
60	+	699016-52130	1	KNIFE, CORD		Sus. by 699016-54530	
60	+	699016-54530	1	KNIFE			
61	+	900242-05012	2	SCREW 5*12	5*12		
65		898503-50030	1	SCABBARD KIT, BLADE			
66	+	898562-43230	1	FIXTURE, SCABBARD			

8. Gear Case, Shield, Blade

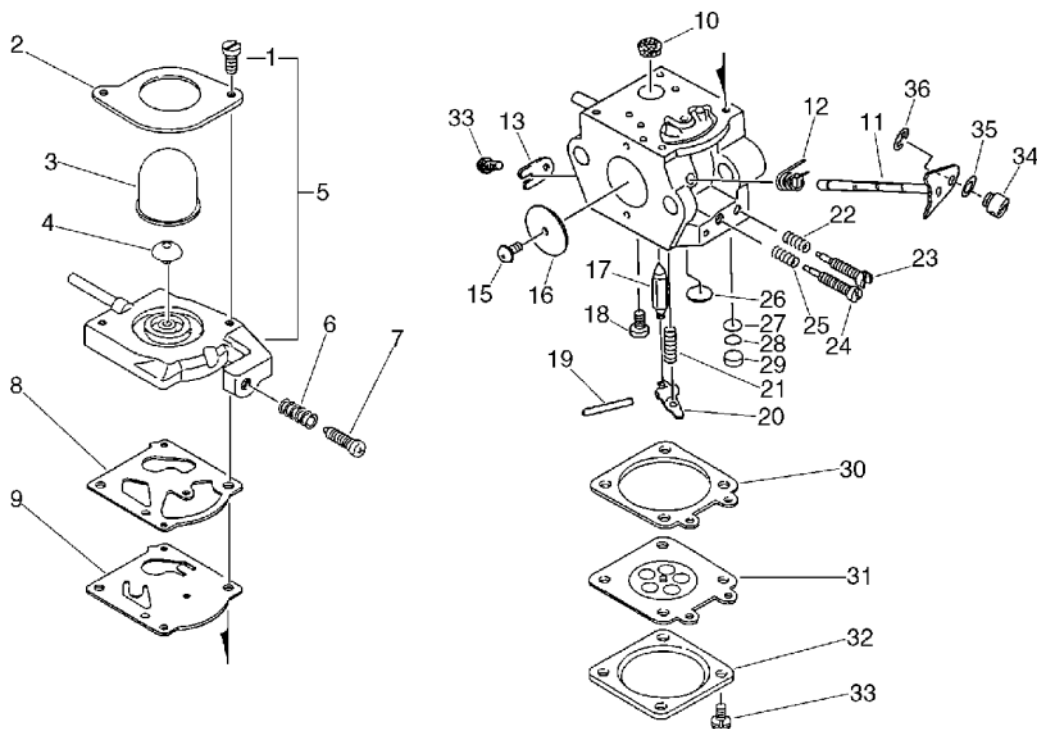
No.8



KEY	LV	PART NUMBER	Q'TY	DESCRIPTION	REMARKS	NOTE1	NOTE2
68		695001-01230	1	SAW,CIRCULAR 10 *80P		Sus. by 695001-55630	
68		695001-55630	1	SAW,CIRCULAR 10*80T			
69		696001-01130	1	BLADE, 8-CUTTER 10IN		Sus. by 696001-55630	
69		696001-55630	1	BLADE, 8-CUTTER 10IN			

9. Carburetor

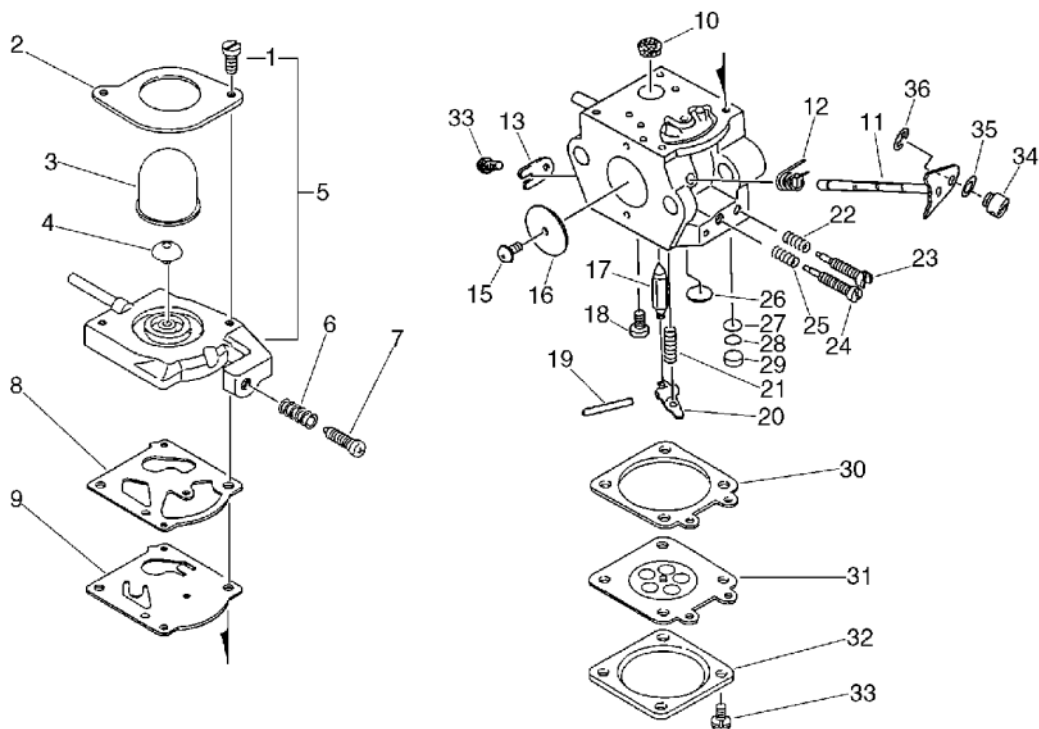
No.9



KEY	LV	PART NUMBER	Q'TY	DESCRIPTION	REMARKS	NOTE1	NOTE2
		123000-51430	1	CARBURETOR ASSY	WT-297		
5	+	123124-51430	1	COVER, FUEL PUMP		Sus. by 123124-51431	
5	+	123124-51431	1	COVER, PUMP			
1	++	123110-43130	2	SCREW			
2	+	123142-09560	1	COVER, PRIMER PUMP			
3	+	123181-09560	1	PUMP, PRIMER			
4	+	123171-35630	1	VALVE, CHECK			
6	+	123133-04260	1	SPRING, IDLE ADJUST			
7	+	123134-04260	1	SCREW, IDLE ADJUST			
8	+	123125-09560	1	GASKET, FUEL PUMP			
9	+	123112-09560	1	DIAPHRAGM, FUEL PUMP			
10	+	123126-10631	1	SCREEN, INLET			
11	+	123117-05020	1	SHAFT, THROTTLE			
12	+	123113-15030	1	SPRING, THRT. RETURN			
13	+	123127-03930	1	CLIP, THROTTLE SHAFT			
15	+	123114-03930	1	SCREW		Sus. by 123114-38830	
15	+	123114-38830	1	SCREW			
16	+	123116-10530	1	VALVE, THROTTLE			
17	+	123137-04260	1	VALVE, INLET NEEDLE			
18	+	123139-03930	1	SCREW, M. LEVER PIN			
19	+	123138-03930	1	PIN, METERING LEVER			
20	+	123123-03930	1	LEVER, METERING			
21	+	123122-06530	1	SPRING, METER. LEVER			
22	+	123119-22130	1	SPRING, NEEDLE			

9. Carburetor

No.9



KEY	LV	PART NUMBER	Q'TY	DESCRIPTION	REMARKS	NOTE1	NOTE2
23	+	123120-51430	1	NEEDLE, HIGH SPEED			
24	+	123118-37330	1	NEEDLE, IDLE			
25	+	123121-22130	1	SPRING, NEEDLE			
26	+	123146-10631	1	PLUG, WELCH			
27	+	123168-10631	1	SCREEN			
28	+	123169-10630	1	RING, RETAINING			
29	+	123146-17330	1	PLUG, CUP			
30	+	123140-03930	1	GASKET, M. DIAPHRAGM			
31	+	123141-03930	1	DIAPHRAGM, METERING			
32	+	123142-03930	1	COVER, M. DIAPHRAGM			
33	+	123130-02960	5	SCREW			
34	+	123172-26030	1	SWIVEL			
35	+	123149-26030	1	WASHER			
36	+	123173-07930	1	CLIP			

10. Repair Kit

KEY	LV	PART NUMBER	Q'TY	DESCRIPTION	REMARKS	NOTE1	NOTE2
		123101-52130	1	DIAPHRAGM/GASKET KIT			
9-8	+	123125-09560	1	GASKET, FUEL PUMP			
9-9	+	123112-09560	1	DIAPHRAGM, FUEL PUMP			
9-30	+	123140-03930	1	GASKET, M. DIAPHRAGM			
9-31	+	123141-03930	1	DIAPHRAGM, METERING			
		123100-51430	1	REPAIR KIT	WT-297		
9-1	+	123110-43130	2	SCREW			
9-8	+	123125-09560	1	GASKET, FUEL PUMP			
9-9	+	123112-09560	1	DIAPHRAGM, FUEL PUMP			
9-10	+	123126-10631	1	SCREEN, INLET			
9-17	+	123137-04260	1	VALVE, INLET NEEDLE			
9-18	+	123139-03930	1	SCREW, M. LEVER PIN			
9-19	+	123138-03930	1	PIN, METERING LEVER			
9-20	+	123123-03930	1	LEVER, METERING			
9-21	+	123122-06530	1	SPRING, METER. LEVER			
9-22	+	123119-22130	1	SPRING, NEEDLE			
9-25	+	123121-22130	1	SPRING, NEEDLE			
9-26	+	123146-10631	1	PLUG, WELCH			
9-29	+	123146-17330	1	PLUG, CUP			
9-30	+	123140-03930	1	GASKET, M. DIAPHRAGM			
9-31	+	123141-03930	1	DIAPHRAGM, METERING			
9-33	+	123130-02960	5	SCREW			

Index

Patrs Number	Key No.	Patrs Number	Key No.	Patrs Number	Key No.
100000-43130	1 - 13	123126-10631	10 - 9-10	131016-55830	5 - 3
100000-43131	1 - 13	123126-10631	9 - 10	131051-52430	5 - 4
100011-42230	1 - 12	123127-03930	9 - 13	131205-19830	5 - 17
100012-12331	1 - 16	123130-02960	10 - 9-33	131300-40630	5 - 13
100012-27930	1 - 16	123130-02960	9 - 33	131300-56430	5 - 13
100013-00410	1 - 14	123133-04260	9 - 6	131328-40630	5 - 12
100014-17330	1 - 17	123134-04260	9 - 7	131910-43130	5 - 10
100015-00120	1 - 15	123137-04260	10 - 9-17	131923-11120	5 - 7
100100-43130	1 - 22	123137-04260	9 - 17	131924-43130	5 - 9
100142-12330	1 - 23	123138-03930	10 - 9-19	132010-13930	5 - 15
100200-42230	1 - 19	123138-03930	9 - 19	132010-51230	5 - 5
100212-27930	1 - 18	123139-03930	10 - 9-18	132010-56330	5 - 6
100213-02830	1 - 32	123139-03930	9 - 18	132012-51030	5 - 6
100215-02830	1 - 20	123140-03930	10 - 9-30	132013-09820	5 - 19
100242-42230	1 - 25	123140-03930	10 - 9-30	132115-46730	5 - 18
101010-42231	1 - 11	123140-03930	9 - 30	145510-42231	5 - 20
101011-43130	1 - 9	123141-03930	10 - 9-31	145610-43130	5 - 22
101511-42230	1 - 29	123141-03930	10 - 9-31	145866-43131	5 - 25
101514-42230	1 - 8	123141-03930	9 - 31	145867-43130	5 - 26
101534-42230	1 - 28	123142-03930	9 - 32	145867-43131	5 - 26
123000-51430	4 - 9	123142-09560	9 - 2	145871-43130	5 - 28
123000-51430	9 -	123146-10631	10 - 9-26	156112-40630	3 - 8
123100-51430	10 -	123146-10631	9 - 26	156601-12920	3 - 9
123101-52130	10 -	123146-17330	10 - 9-29	156626-42230	3 - 9
123110-43130	10 - 9-1	123146-17330	9 - 29	156635-43130	3 - 12
123110-43130	9 - 1	123149-26030	9 - 35	156801-42230	3 - 13
123112-09560	10 - 9-9	123168-10631	9 - 27	159011-03432	3 - 6
123112-09560	10 - 9-9	123169-10630	9 - 28	159012-03433	3 - 7
123112-09560	9 - 9	123171-35630	9 - 4	159017-10230	3 - 5
123113-15030	9 - 12	123172-26030	9 - 34	159905-43130	1 - 6
123114-03930	9 - 15	123173-07930	9 - 36	162021-42230	3 - 11
123114-38830	9 - 15	123181-09560	9 - 3	163401-43130	7 - 12
123116-10530	9 - 16	129006-43130	4 - 15	175005-43130	6 - 29
123117-05020	9 - 11	130016-06231	4 - 8	175009-42231	3 - 18
123118-37330	9 - 24	130016-06232	4 - 8	175018-42230	3 - 19
123119-22130	10 - 9-22	130016-42231	4 - 5	175046-06230	3 - 21
123119-22130	9 - 22	130017-43130	4 - 6	175048-03920	3 - 20
123120-51430	9 - 23	130111-00530	5 - 14	175049-03920	3 - 17
123121-22130	10 - 9-25	130301-43130	4 - 11	177200-43130	2 - 11
123121-22130	9 - 25	130302-43131	4 - 18	177202-41030	2 - 5
123122-06530	10 - 9-21	130302-43132	4 - 18	177214-41030	2 - 13
123122-06530	9 - 21	130310-43130	4 - 17	177215-43130	2 - 14
123123-03930	10 - 9-20	130415-40630	4 - 20	177218-40630	2 - 9
123123-03930	9 - 20	131004-08960	5 - 2	177220-40630	2 - 15
123124-51430	9 - 5	131004-46730	5 - 2	177226-01110	2 - 17
123124-51431	9 - 5	131010-43130	5 - 8	177227-05530	2 - 18
123125-09560	10 - 9-8	131010-46930	5 - 8	177227-42030	2 - 18
123125-09560	10 - 9-8	131010-46931	5 - 8	177228-11120	2 - 19
123125-09560	9 - 8	131016-40930	5 - 3	177234-40630	2 - 8

Index

Patrs Number	Key No.	Patrs Number	Key No.	Patrs Number	Key No.
177236-40630	2 - 12	696001-55630	8 - 69	900238-05020	3 - 10
178001-43230	7 - 14	699001-50430	8 - 50	900238-05020	8 - 36
178010-05960	7 - 11	699010-54430	8 - 52	900242-05012	8 - 61
178012-05960	7 - 9	699011-43130	8 - 51	900242-05014	6 - 11
178013-35631	7 - 10	699013-52130	8 - 53	900242-05014	8 - 57
178121-43230	7 - 34	699015-52130	8 - 58	900242-05018	8 - 54
178127-43230	7 - 15	699016-52130	8 - 60	900242-05057	4 - 16
178510-43130	4 - 10	699016-54530	8 - 60	900246-03025	7 - 6
178515-43130	4 - 13	699200-07131	8 - 37	900300-20022	8 - 34
178516-00830	4 - 14	699226-05430	8 - 39	900500-00005	4 - 4
178810-05230	4 - 12	699227-04630	8 - 41	900500-00005	7 - 8
301001-52130	7 - 22	699228-08930	8 - 42	900500-00005	7 - 8
301200-06230	6 - 7	890118-49330	2 - 21	900500-00005	8 - 56
301207-05630	6 - 8	890121-47530	4 - 21	900502-00006	7 - 32
301224-06230	6 - 9	890157-39130	7 - 35	900502-00008	2 - 10
301300-24830	7 - 22	890611-43130	1 - 33	900503-00010	3 - 16
301300-24831	7 - 22	890617-43130	6 - 6	900511-00010	8 - 33
351102-47530	7 - 5	890617-46830	6 - 6	900600-00005	8 - 22
351110-52430	7 - 23	895112-00330	6 - 65	900600-00006	3 - 22
351202-51430	7 - 16	895410-08030	6 - 66	900600-00006	7 - 33
351210-52430	7 - 18	895610-00130	6 - 61	900600-00010	3 - 14
351301-04130	7 - 19	897518-01131	6 - 64	900603-00005	8 - 55
351311-02330	7 - 24	898502-01130	6 - 63	900605-00005	8 - 21
610011-06230	6 - 5	898503-50030	8 - 65	900605-00010	3 - 15
610203-43130	6 - 25	898562-43230	8 - 66	900700-00004	2 - 6
610205-43130	6 - 25	900141-05012	8 - 44	900701-00012	6 - 26
610206-43130	6 - 13	900142-05025	6 - 20	900701-00012	8 - 19
610239-04130	8 - 15	900142-05025	6 - 20	900702-00028	6 - 28
610300-40430	8 - 13	900142-05025	8 - 59	900702-00028	8 - 10
610310-07130	8 - 26	900142-05030	8 - 17	900702-00032	8 - 28
610313-07130	8 - 31	900142-06030	7 - 21	900702-00035	1 - 31
610314-07130	8 - 32	900162-04020	2 - 20	900706-00012	8 - 25
610315-07130	8 - 29	900162-05020	1 - 10	900720-00004	4 - 19
610333-07130	8 - 38	900162-05020	5 - 23	900800-06001	8 - 12
610336-07131	8 - 45	900162-05020	6 - 24	900800-36000	8 - 23
610400-40430	8 - 9	900162-05020	7 - 17	900807-06001	6 - 27
610413-07130	8 - 30	900162-05025	1 - 30	900807-06001	8 - 11
610434-50030	8 - 18	900162-05025	4 - 7	900810-06201	8 - 27
610434-50031	8 - 18	900162-05025	7 - 20	900810-36201	1 - 21
610443-21232	8 - 35	900162-05030	1 - 26	900810-36202	1 - 24
610910-40430	6 - 23	900220-05010	8 - 20	900814-06202	8 - 40
610910-51830	6 - 23	900220-05030	7 - 7	94035-36201	1 - 21
610922-40430	6 - 21	900238-04010	1 - 27	A051-000170	2 - 11
610922-43130	6 - 21	900238-04010	5 - 27	V307-000050	1 - 17
610922-55630	6 - 22	900238-05010	1 - 7	X602-000020	6 - 66
610923-40430	6 - 22	900238-05010	3 - 23		
695001-01230	8 - 68	900238-05014	1 - 5		
695001-55630	8 - 68	900238-05014	5 - 11		
696001-01130	8 - 69	900238-05014	5 - 29		

YAMABIKO CORPORATION

7-2 SUEHIROCHO 1-CHOME, OHME, TOKYO 198-8760, JAPAN
PHONE: 81-428-32-6118. FAX: 81-428-32-6145.



3800
No.