



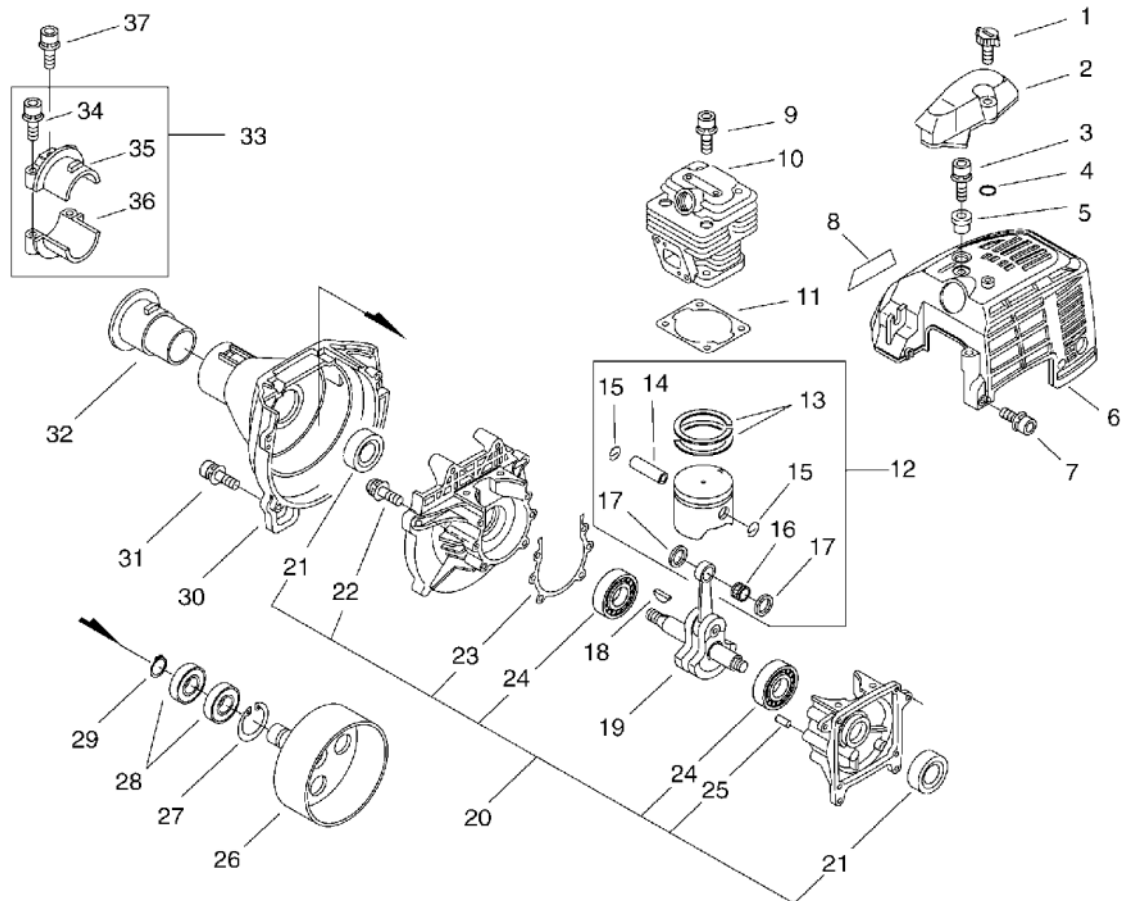
PARTS CATALOGUE

GRASS-TRIMMER / BRUSHCUTTER

SRM-3605(L)

1. Cylinder, Crankcase, Piston

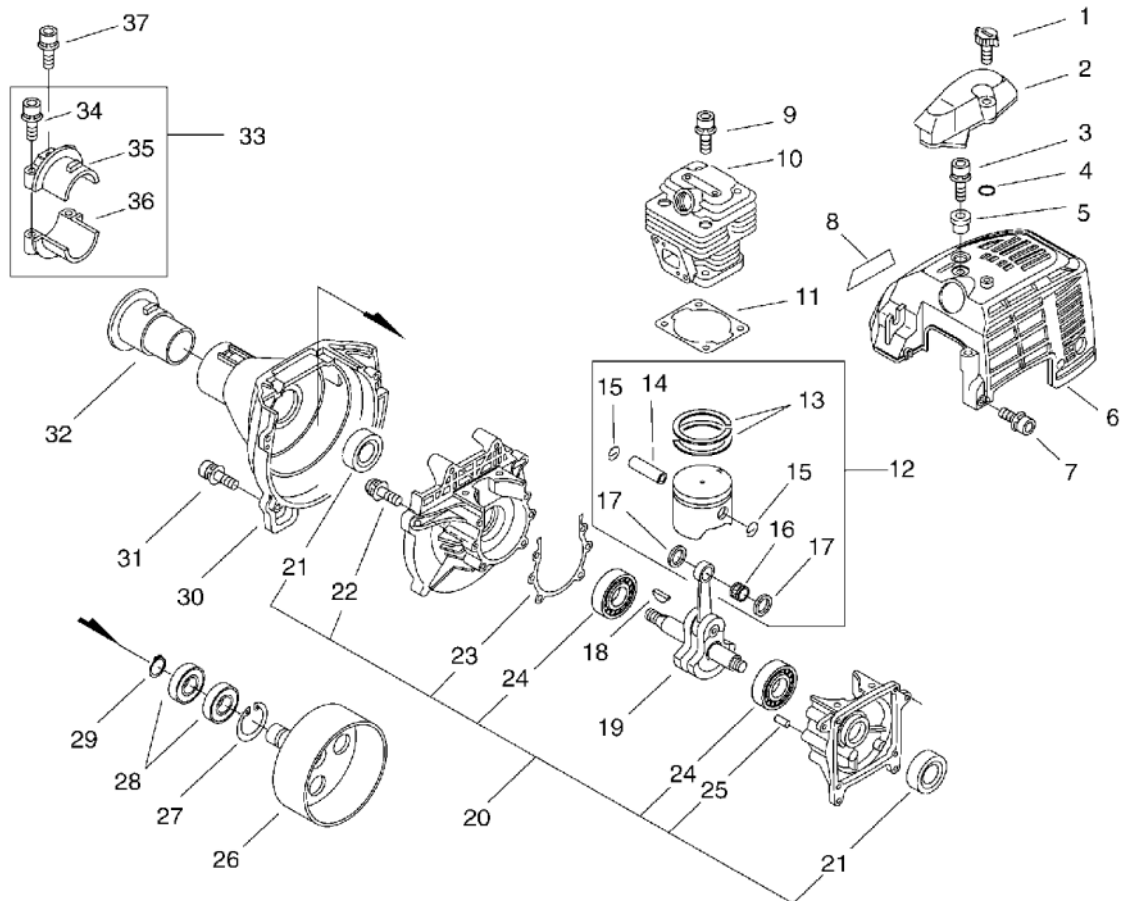
No.1



KEY	LV	PART NUMBER	Q'TY	DESCRIPTION	REMARKS	NOTE1	NOTE2
1		352325-55230	1	KNOB, FASTENER			
2		159912-55230	1	GUARD, TOP			
3		900162-05020	1	BOLT, H.S. 5*20	5*20 W,SW		
4		900720-00004	1	O-RING (P-4)	P-4		
5		101531-55230	1	COLLAR			
6		101514-55630	1	COVER, CYLINDER			
7		900162-05012	2	BOLT, H.S. 5*12	5*12 W,SW		
8		890611-55830	1	LABEL, MODEL			
9		900162-05020	4	BOLT, H.S. 5*20	5*20 W,SW		
10		A130-000600	1	CYLINDER			
11		101010-55430	1	GASKET, CYL. BASE			
12		P021-007410	1	PISTON KIT			
13	+	100011-42230	2	RING, PISTON			
14	+	100013-27430	1	PIN, PISTON			
15	+	100015-03931	2	CIRCLIP, PISTON PIN			
16	+	100012-16131	1	BEARING, NEEDLE			
17	+	100014-53630	2	SPACER, PISTON PIN			
18		100142-12330	1	KEY, WOODRUFF			
19		100100-55430	1	CRANKSHAFT ASSY			
20		100204-55430	1	CRANKCASE KIT			
21	+	100213-05530	2	OILSEAL	ISCD 12 22 7		
22	+	900162-05030	4	BOLT, H.S. 5*30	5*30 W,SW		
23	+	100242-55430	1	GASKET, CRANKCASE			
24	+	94035-36201	2	BEARING BALL	6201X3JR2C3		
25	+	100215-03930	2	PIN, DOWEL			
26		175005-49930	1	DRUM, CLUTCH			

1. Cylinder, Crankcase, Piston

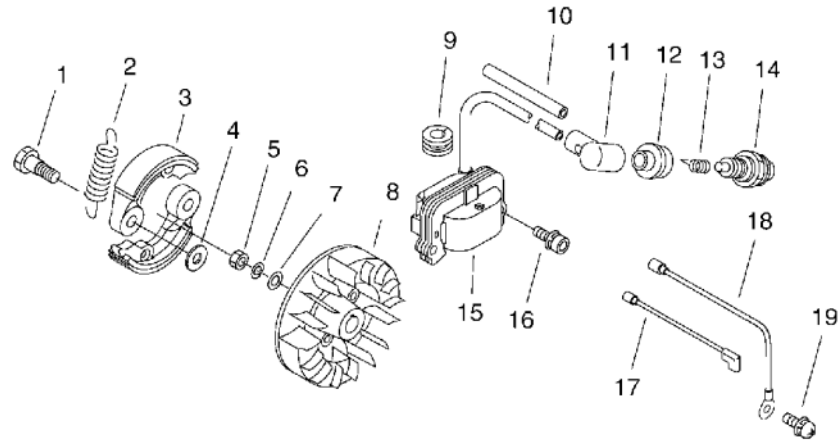
No.1



KEY	LV	PART NUMBER	Q'TY	DESCRIPTION	REMARKS	NOTE1	NOTE2
27		900702-00028	1	CIRCLIP 28	CR-28		
28		900807-06001	2	BEARING, BALL 6001	6001V(LB)		
29		900701-00012	1	CIRCLIP 12	CS-12		
30		101511-55630	1	COVER, FAN			
31		900162-05020	4	BOLT, H.S. 5*20	5*20 W,SW		
32		610910-51830	1	CUSHION			
33		610903-55630	1	HOLDER KIT			
34	+	900162-05025	2	BOLT, H.S. 5*25	5*25 W,SW		
35	+	610923-55630	1	HOLDER, PIPE			
36	+	610922-55630	1	HOLDER, PIPE			
37		900162-05012	1	BOLT, H.S. 5*12	5*12 W,SW		

2. Magneto, Clutch

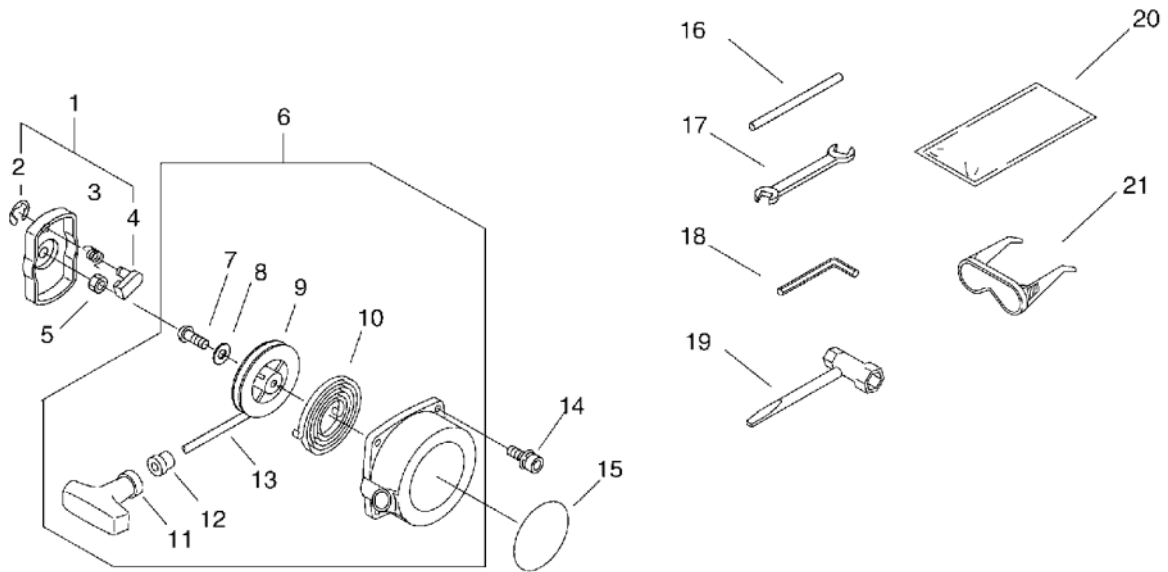
No.2



KEY	LV	PART NUMBER	Q'TY	DESCRIPTION	REMARKS	NOTE1	NOTE2
1		175046-46430	2	BOLT, CLUTCH			
2		175018-49932	1	SPRING, CLUTCH			
3		A553-000000	2	ARM, CLUTCH			
4		175048-05530	2	WASHER (I)	6.2*19*1.0		
5		900502-00008	1	NUT 8 (3N)	3N8		
6		900605-00008	1	WASHER, SPRING 8	8		
7		900600-00008	1	WASHER 8	8		
8		152801-55430	1	ROTOR, MAGNET			
9		150112-44330	1	BUSHING			
10		150611-14530	1	TUBE 6*7*110	6*7*110		
11		159012-01620	1	CAP, SPARK PLUG			
12		159015-55230	1	COVER, PLUG CAP			
13		159011-03432	1	COIL, SPARK PLUG			
14		159010-10230	1	PLUG, SPARK (BPMR-7A)	BPMR-7A		
15		152626-55430	1	COIL, IGNITION			
16		900162-05020	2	BOLT, H.S. 5*20	5*20 W,SW		
17		162010-55630	1	LEAD, GROUND	170L		
18		162014-52930	1	LEAD, GROUND			
19		900238-05010	1	SCREW 5*10	5*10		

3. Starter, Tools

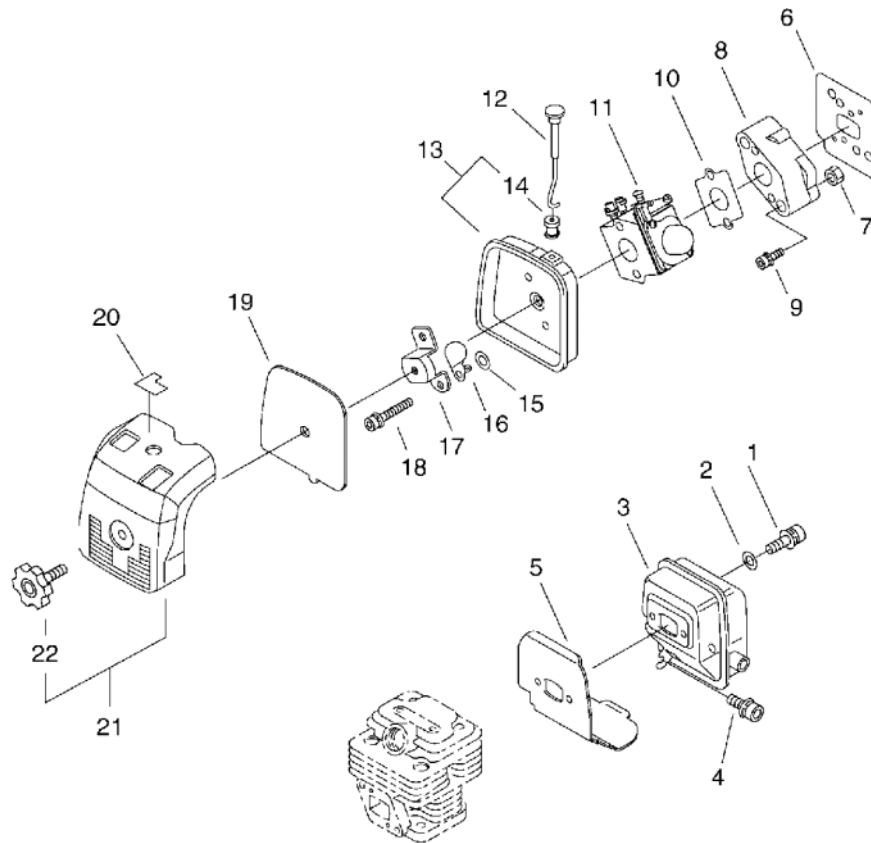
No.3



KEY	LV	PART NUMBER	Q'TY	DESCRIPTION	REMARKS	NOTE1	NOTE2
1		177202-41030	1	PAWL ASSY, STARTER			
2	+	900700-00004	1	E-RING 4	CE-4		
3	+	177234-40630	1	SPRING, RETURN			
4	+	177218-40630	1	PAWL, STARTER	WHITE		
5		900502-00008	1	NUT 8 (3N)	3N8		
6		177200-55631	1	STARTER ASSY			
7	+	177236-40630	1	SCREW			
8	+	177214-41030	1	WASHER			
9	+	177215-43130	1	DRUM, STARTER			
10	+	177220-40630	1	SPRING, REWIND			
11	+	177228-27030	1	GRIP, STARTER			
12	+	177227-42030	1	GUIDE, ROPE			
13	+	177226-01110	1	ROPE, STARTER	4.0*880		
14		900162-04014	4	BOLT, H.S. 4*14	4*14 W,SW		
15		890118-49330	1	LABEL, ECHO			
16		897518-01131	1	LOCKING TOOL			
17		895112-00330	1	SPANNER 8*10			
18		895610-00130	1	L-WRENCH (4MM)			
19		X602-000020	1	TOOL,WRENCH	17*19 L200		
20		898510-07130	1	BAG, TOOL			
21		X690-000030	1	GOGGLE			

4. Air Cleaner, Caburettor, Muffler

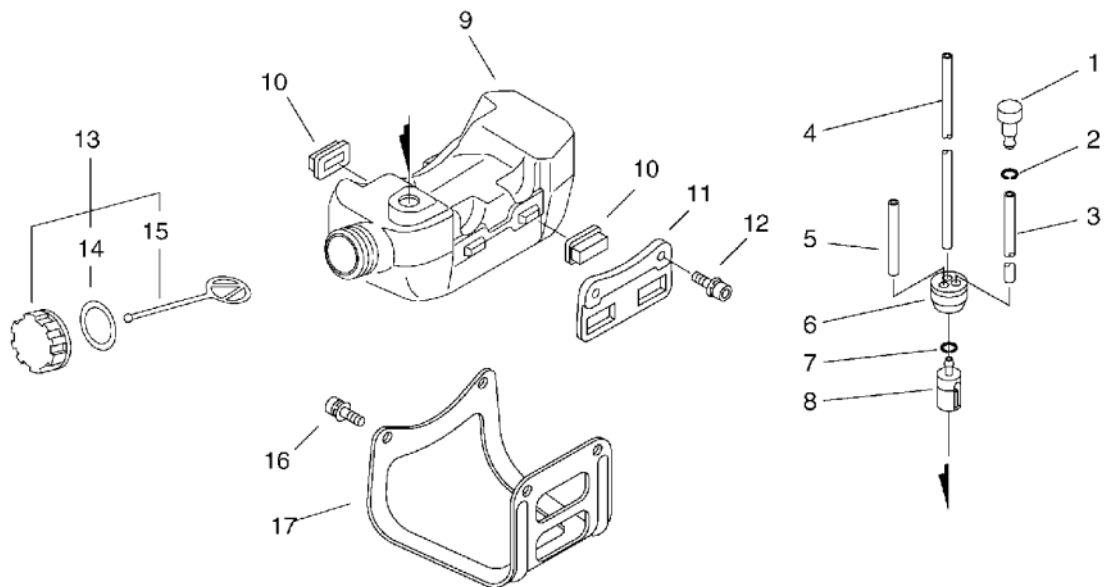
No.4



KEY	LV	PART NUMBER	Q'TY	DESCRIPTION	REMARKS	NOTE1	NOTE2
1		900105-05060	2	BOLT, H.S. 5*60	5*60		
2		900600-00005	2	WASHER 5	5		
3		145610-55230	1	MUFFLER			
4		900162-05012	1	BOLT, H.S. 5*12	5*12 W,SW		
5		145510-55430	1	GASKET, MUFFLER			
6		130016-55430	1	GASKET, INTAKE			
7		900500-00005	2	NUT 5	5		
8		130017-55630	1	INSULATOR			
9		900162-05025	2	BOLT, H.S. 5*25	5*25 W,SW		
10		130010-05960	1	GASKET, INTAKE			
11		123000-55630	1	CARBURETOR WT-344	WT-344		
12		178510-51730	1	ROD, CHOKE			
13		130314-51730	1	CASE, CLEANER			
14	+	178810-05230	1	GROMMET			
15		178516-00830	1	SPACER	5.2*8*0.8T		
16		178515-05060	1	SHUTTER, CHOKE			
17		129011-52131	1	PLATE			
18		900162-05057	2	BOLT, H.S. 5*57	5*57 W,SW		
19		130310-51730	1	FILTER, AIR			
20		890121-47530	1	LABEL, CHOKE			
21		130313-52130	1	COVER, AIR CLEANER			
22	+	130406-52131	1	KNOB, FASTENER			

5. Fuel Tank

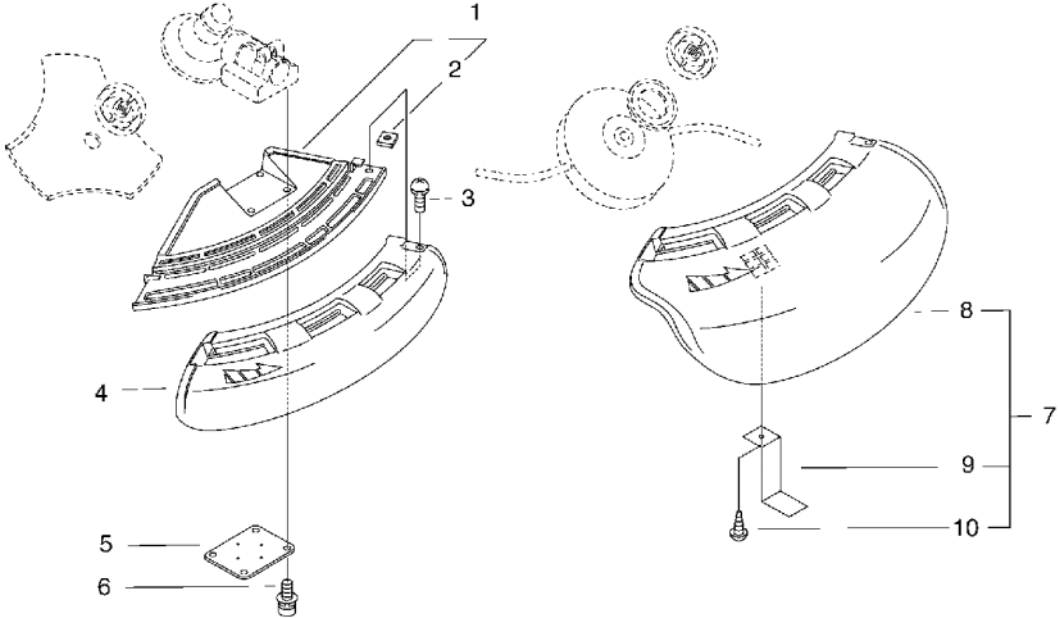
No.5



KEY	LV	PART NUMBER	Q'TY	DESCRIPTION	REMARKS	NOTE1	NOTE2
1		131300-56430	1	VALVE, CHECK			
2		130111-00530	1	CLIP	5.5		
3		V471-001210	1	PIPE	3*5*90 NBR		
4		V471-001190	1	PIPE	3*5*180 NBR		
5		132010-56330	1	PIPE 3*6*90	3*6*90 YL		
6		132115-46730	1	GROMMET, FUEL			
7		132013-09820	1	CLIP	6MM		
8		131205-14930	1	STRAINER, FUEL			
9		131010-64931	1	TANK, FUEL			
10		131920-55430	4	CUSHION, FUEL TANK			
11		131910-55430	1	BRACKET, FUEL TANK			
12		900162-05020	2	BOLT, H.S. 5*20	5*20 W, SW		
13		131004-55530	1	CAP ASSY, FUEL TANK			
14	+	131016-55830	1	GASKET, FUEL CAP			
15	+	131051-56030	1	CLIP, FUEL CAP	100L		
16		900162-05012	2	BOLT, H.S. 5*12	5*12 W, SW		
17		305110-55630	1	STAND			

6. Blade Shield

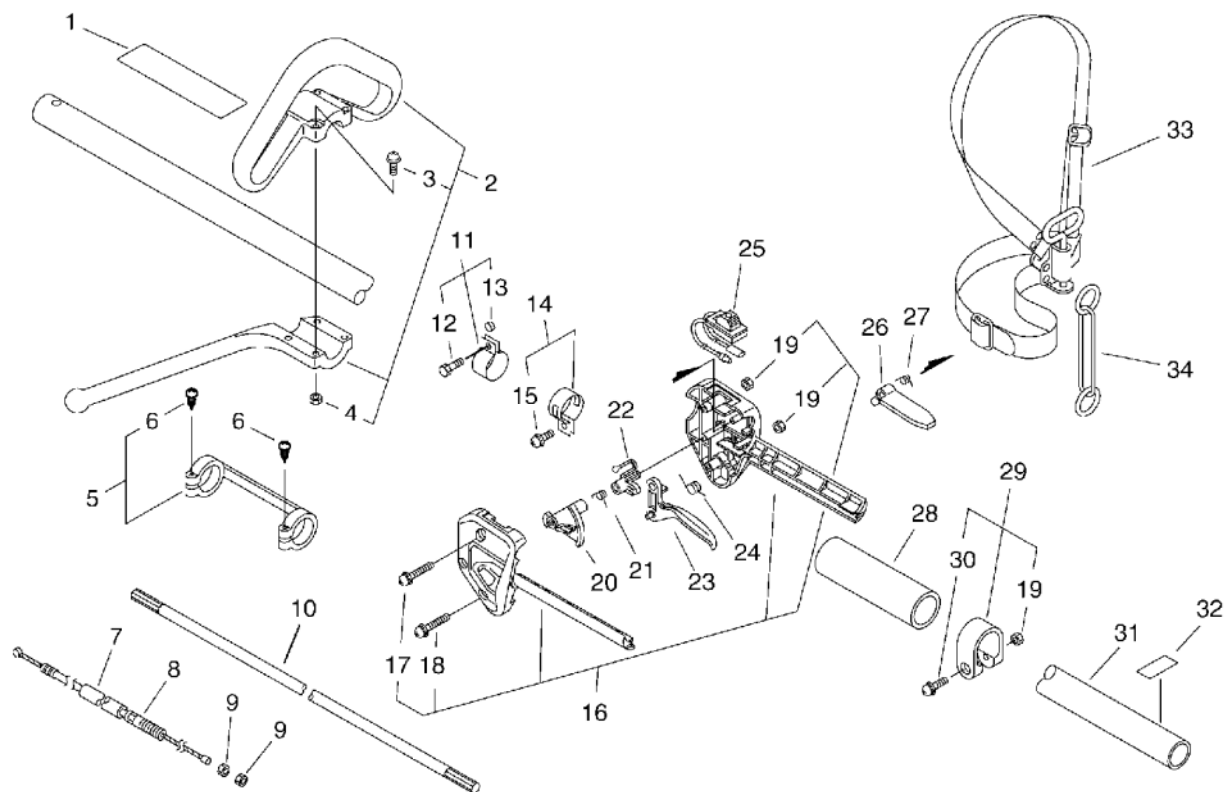
No.6



KEY	LV	PART NUMBER	Q'TY	DESCRIPTION	REMARKS	NOTE1	NOTE2
1		C550-000100	1	SHIELD, BLADE			
2	+	900565-00005	1	NUT	5		
3		900242-05018	1	SCREW 5*18	5*18		
4		C550-000090	1	SHIELD, BLADE			
5		699013-56830	1	PLATE, SHIELD			
6		900162-05025	4	BOLT, H.S. 5*25	5*25 W, SW		
7		P021-002620	1	SHIELD, BLADE(W/KNIFE			
8	+	C550-000080	1	SHIELD, BLADE			
9	+	C554-000000	1	KNIFE, CORD			
10	+	900252-05012	1	SCREW 5*12	5*12		

7. Handle

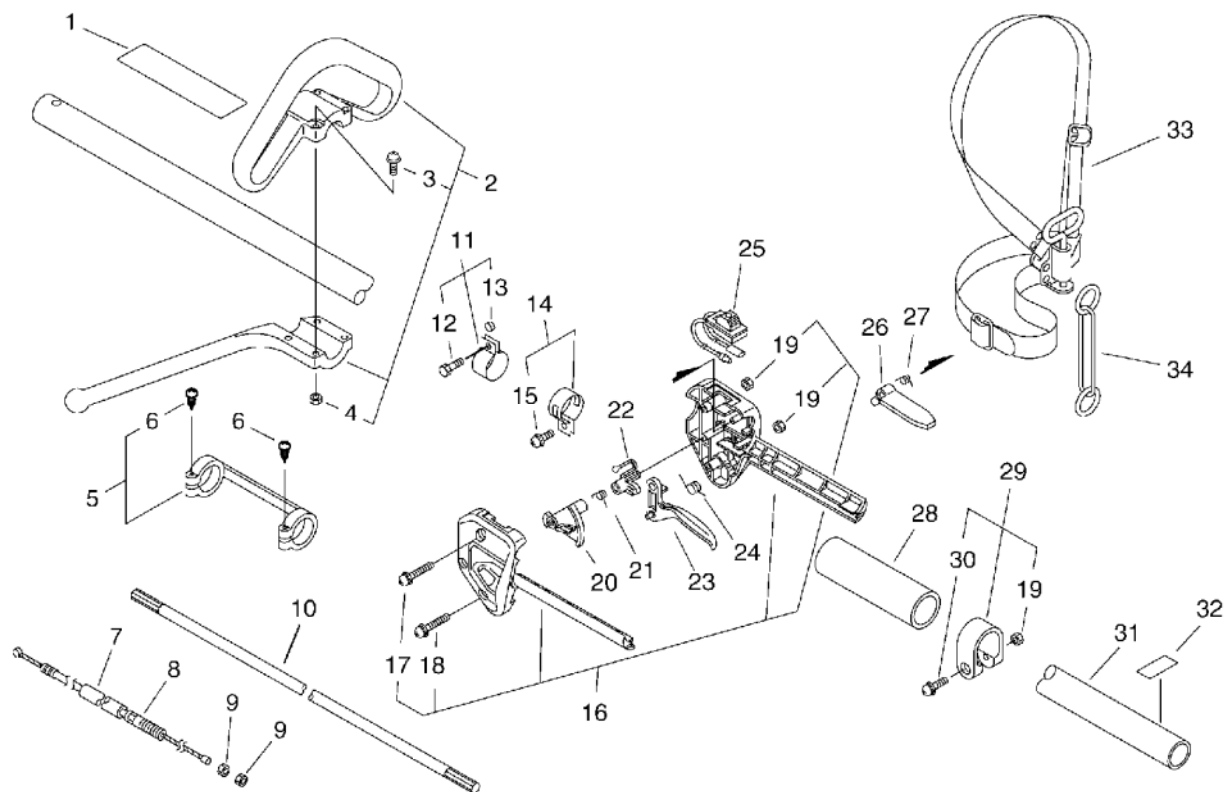
No.7



KEY	LV	PART NUMBER	Q'TY	DESCRIPTION	REMARKS	NOTE1	NOTE2
1		890617-43130	1	LABEL,CAUTION			
2		351201-55630	1	HANDLE ASSY, LOOP			
3	+	900242-05035	4	SCREW 5*35	5*35		
4	+	900500-00005	4	NUT 5	5		
5		610281-42230	1	COLLER			
6	+	900253-04025	2	SCREW 4*25	4*25		
7		178001-51030	1	WIRE, THROTTLE			
8		V475-000850	1	TUBE	7*200		
9		900502-00006	2	NUT 6 (3N)	3N6		
10		610011-06230	1	SHAFT, DRIVE			
11		301207-07530	1	HOOK			
12	+	900100-05018	1	BOLT 5*18	5*18		
13	+	699012-03330	1	SPACER			
14		301212-42230	1	BAND			
15	+	900242-05014	1	SCREW 5*14	5*14		
16		P021-005890	1	BRACKET SET,THROTTLE			
17	+	900242-05035	1	SCREW 5*35	5*35		
18	+	900242-05025	1	SCREW 5*25	5*25		
19	+	900500-00005	2	NUT 5	5		
20		C461-000010	1	LATCH,THROTTLE			
21		V452-000120	1	SPRING,TORSION			
22		C461-000000	1	LATCH,THROTTLE			
23		C450-000110	1	TRIGGER,THROTTLE			
24		178013-52630	1	SPRING, THR. LOCK			
25		163400-49330	1	SWITCH, IGNITION			
26		178090-52632	1	LOCKOUT, T. CONTROL			

7. Handle

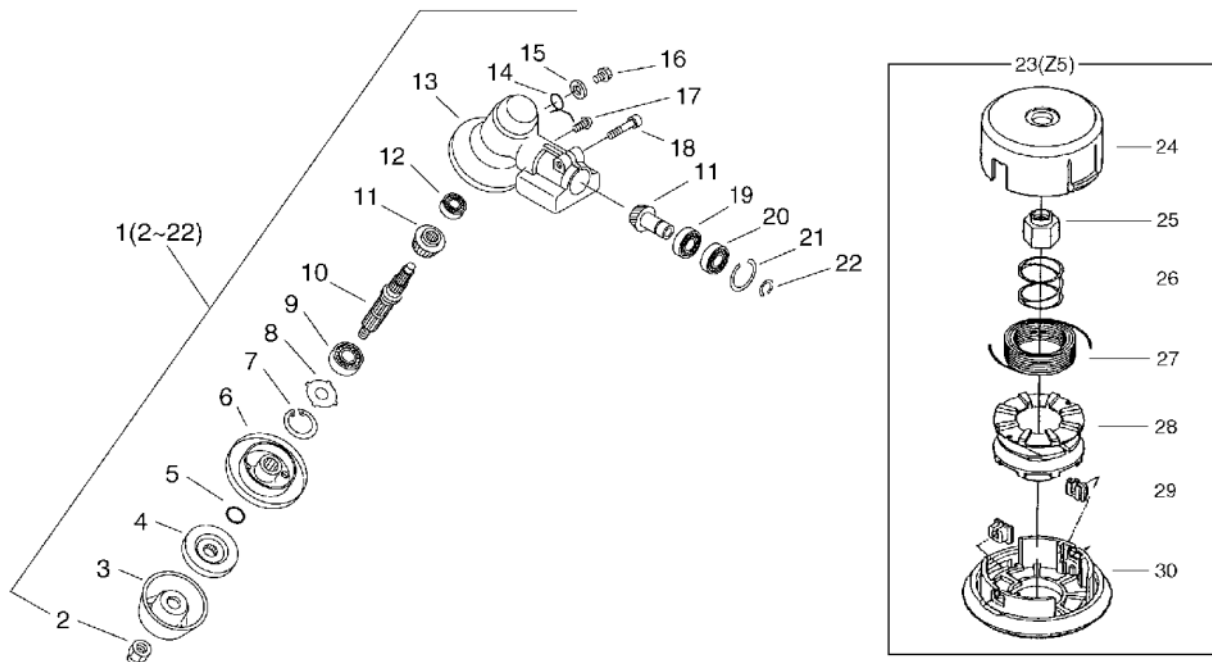
No.7



KEY	LV	PART NUMBER	Q'TY	DESCRIPTION	REMARKS	NOTE1	NOTE2
27		178043-42230	1	SPRING, THR. RETURN			
28		351213-51830	1	GRIP, FRONT HANDLE			
29		610272-51830	1	BAND			
30	+	900242-05028	1	SCREW 5*28	5*28		
19	+	900500-00005	1	NUT 5	5		
31		610206-56930	1	HOUSING ASSY, D.SHFT			
32		890152-04930	1	LABEL, CAUTION			
33		301001-46731	1	HARNESS, SHOULDER	L1910,L1550		
34		301305-24330	1	LINK			

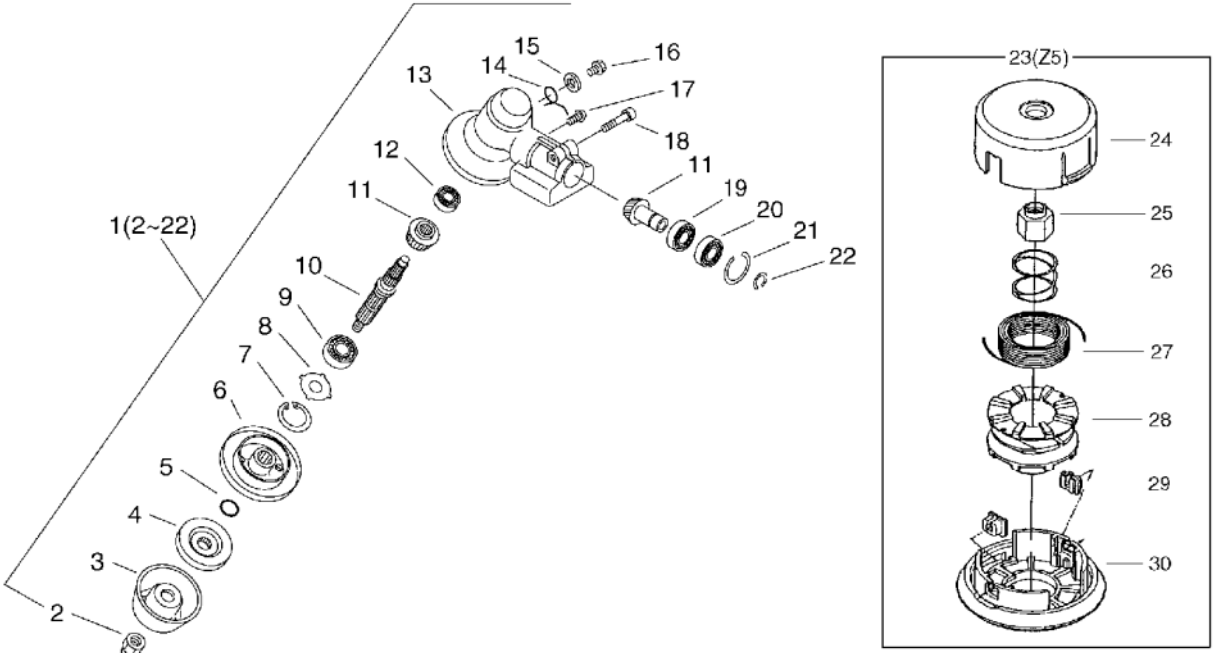
8. Gear Case, Nylon Line Head

No.8



KEY	LV	PART NUMBER	Q'TY	DESCRIPTION	REMARKS	NOTE1	NOTE2
1		610400-56932	1	CASE ASY, GEAR			
2	+	610320-52130	1	NUT 10			
3	+	699229-56830	1	PLATE, COVER			
4	+	610314-52130	1	PLATE, ADAPTER (L)			
5	+	900720-00012	1	O-RING 12	P-12		
6	+	610352-56830	1	PLATE, CUP			
7	+	900702-00032	1	CIRCLIP 32	CR-32		
8	+	610444-56830	1	WASHER			
9	+	900812-06201	1	BEARING, BALL 6201	6201DDU(LLU)		
10	+	610310-56930	1	SHAFT, P.T.O.			
11	+	610300-56930	1	GEAR SET			
12	+	900810-00629	1	BEARING, BALL 629	629		
13	+	610410-56931	1	CASE, GEAR			
14	+	610473-52131	1	SPRING			
15	+	900603-50008	1	WASHER	8.5*18*0.8T		
16	+	610434-50031	1	BOLT 8*8	M8*8		
17	+	900242-05010	1	SCREW 5*10	5*10		
18	+	900162-06030	1	BOLT, H.S. 6*30	6*30W, SW		
19	+	900800-06001	1	BEARING, BALL 6001	6001		
20	+	900803-06001	1	BEARING, BALL 6001	6001Z		
21	+	900702-00028	1	CIRCLIP 28	CR-28		
22	+	900701-00012	1	CIRCLIP 12	CS-12		
23		X047-000330	1	CUTTER,ASM LINE	Z-5 M10 L		
24	+	P022-010420	1	HOUSING			
25	+	P022-010390	1	NUT			
26	+	P022-010370	1	SPRING			

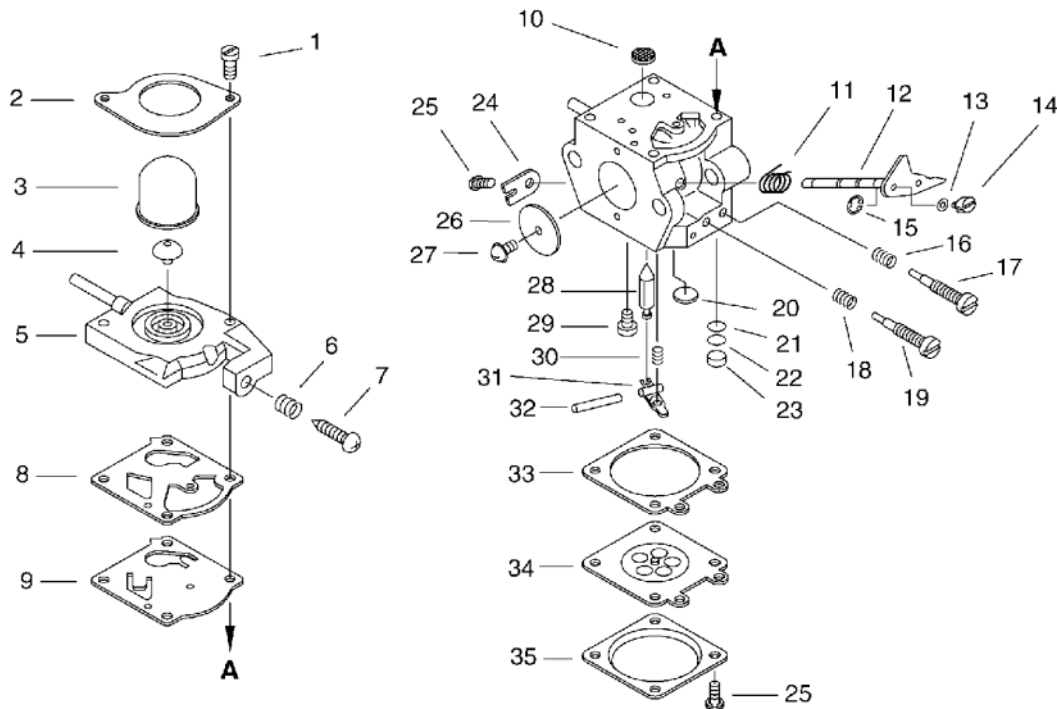
8. Gear Case, Nylon Line Head
No.8



KEY	LV	PART NUMBER	Q'TY	DESCRIPTION	REMARKS	NOTE1	NOTE2
27	+	P022-010380	1	NYLON CODE			
28	+	P022-010400	1	BOBBIN			
29	+	P022-000710	2	EYELET	T4		
30	+	P022-010410	1	COVER			

9. Caburettor

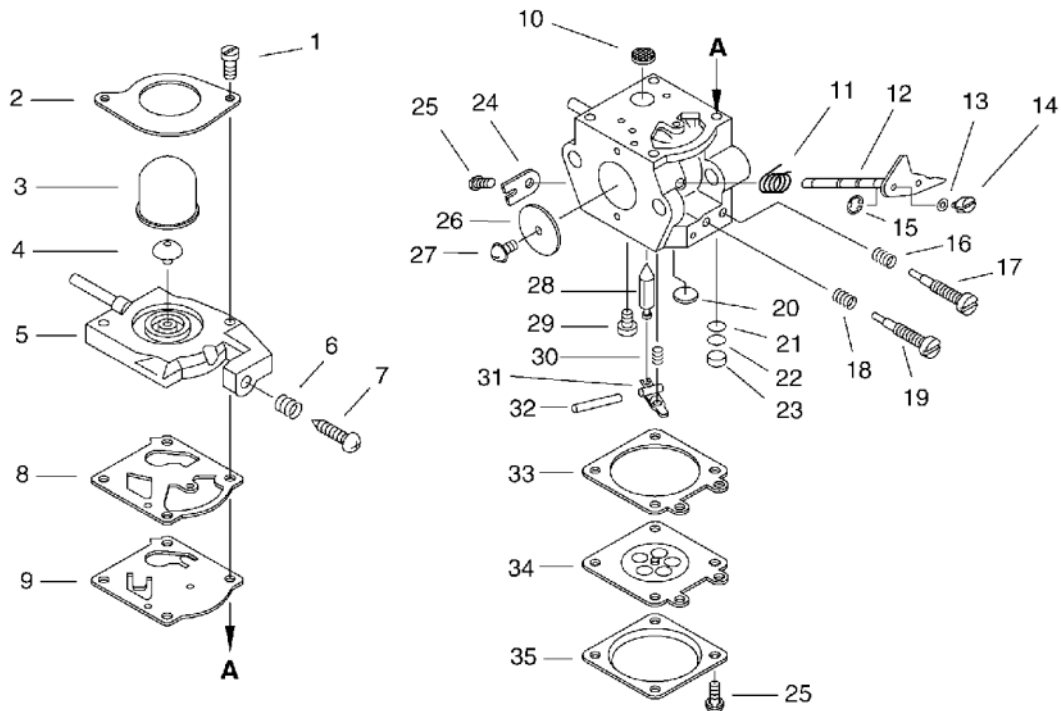
No.9



KEY	LV	PART NUMBER	Q'TY	DESCRIPTION	REMARKS	NOTE1	NOTE2
		123000-55630	1	CARBURETOR WT-344	WT-344		
1	+	123110-43130	2	SCREW			
2	+	123142-09560	1	COVER, PRIMER PUMP			
3	+	123181-09560	1	PUMP, PRIMER			
4	+	123171-35630	1	VALVE, CHECK			
5	+	123124-43130	1	COVER, FUEL PUMP			
6	+	123133-04260	1	SPRING, IDLE ADJUST			
7	+	123134-04260	1	SCREW, IDLE ADJUST			
8	+	123125-09560	1	GASKET, FUEL PUMP			
9	+	123112-09560	1	DIAPHRAGM, FUEL PUMP			
10	+	123126-10631	1	SCREEN, INLET			
11	+	123113-47530	1	SPRING, THR. RTN.			
12	+	123117-55630	1	SHAFT, THROTTLE			
13	+	123149-26030	1	WASHER			
14	+	123172-26030	1	SWIVEL			
15	+	123173-07930	1	CLIP			
16	+	123119-22130	1	SPRING, NEEDLE			
17	+	123120-09560	1	NEEDLE, HIGH SPEED			
18	+	123121-22130	1	SPRING, NEEDLE			
19	+	123118-24430	1	NEEDLE, IDLE			
20	+	123146-10631	1	PLUG, WELCH			
21	+	123168-10631	1	SCREEN			
22	+	123169-10630	1	RING, RETAINING			
23	+	123146-17330	1	PLUG, CUP			
24	+	123127-03930	1	CLIP, THROTTLE SHAFT			
25	+	123130-02960	5	SCREW			

9. Caburettor

No.9



KEY	LV	PART NUMBER	Q'TY	DESCRIPTION	REMARKS	NOTE1	NOTE2
26	+	123116-23230	1	VALVE, THROTTLE			
27	+	123114-38830	1	SCREW			
28	+	123137-04260	1	VALVE, INLET NEEDLE			
29	+	123139-03930	1	SCREW, M. LEVER PIN			
30	+	123122-06530	1	SPRING, METER. LEVER			
31	+	123123-03930	1	LEVER, METERING			
32	+	123138-03930	1	PIN, METERING LEVER			
33	+	123140-27230	1	GASKET, M. DIAPHRAGM			
34	+	123141-03930	1	DIAPHRAGM, METERING			
35	+	123142-03930	1	COVER, M. DIAPHRAGM			

Index

Patrs Number	Key No.	Patrs Number	Key No.	Patrs Number	Key No.
100011-42230	1 - 13	123172-26030	9 - 14	177228-27030	3 - 11
100012-16131	1 - 16	123173-07930	9 - 15	177234-40630	3 - 3
100013-27430	1 - 14	123181-09560	9 - 3	177236-40630	3 - 7
100014-53630	1 - 17	129011-52131	4 - 17	178001-51030	7 - 7
100015-03931	1 - 15	130010-05960	4 - 10	178013-52630	7 - 24
100100-55430	1 - 19	130016-55430	4 - 6	178043-42230	7 - 27
100142-12330	1 - 18	130017-55630	4 - 8	178090-52632	7 - 26
100204-55430	1 - 20	130111-00530	5 - 2	178510-51730	4 - 12
100213-05530	1 - 21	130310-51730	4 - 19	178515-05060	4 - 16
100215-03930	1 - 25	130313-52130	4 - 21	178516-00830	4 - 15
100242-55430	1 - 23	130314-51730	4 - 13	178810-05230	4 - 14
101010-55430	1 - 11	130406-52131	4 - 22	301001-46731	7 - 33
101511-55630	1 - 30	131004-55530	5 - 13	301207-07530	7 - 11
101514-55630	1 - 6	131010-64931	5 - 9	301212-42230	7 - 14
101531-55230	1 - 5	131016-55830	5 - 14	301305-24330	7 - 34
123000-55630	4 - 11	131051-56030	5 - 15	305110-55630	5 - 17
123000-55630	9 -	131205-14930	5 - 8	351201-55630	7 - 2
123110-43130	9 - 1	131300-56430	5 - 1	351213-51830	7 - 28
123112-09560	9 - 9	131910-55430	5 - 11	352325-55230	1 - 1
123113-47530	9 - 11	131920-55430	5 - 10	610011-06230	7 - 10
123114-38830	9 - 27	132010-56330	5 - 5	610206-56930	7 - 31
123116-23230	9 - 26	132013-09820	5 - 7	610272-51830	7 - 29
123117-55630	9 - 12	132115-46730	5 - 6	610281-42230	7 - 5
123118-24430	9 - 19	145510-55430	4 - 5	610300-56930	8 - 11
123119-22130	9 - 16	145610-55230	4 - 3	610310-56930	8 - 10
123120-09560	9 - 17	150112-44330	2 - 9	610314-52130	8 - 4
123121-22130	9 - 18	150611-14530	2 - 10	610320-52130	8 - 2
123122-06530	9 - 30	152626-55430	2 - 15	610352-56830	8 - 6
123123-03930	9 - 31	152801-55430	2 - 8	610400-56932	8 - 1
123124-43130	9 - 5	159010-10230	2 - 14	610410-56931	8 - 13
123125-09560	9 - 8	159011-03432	2 - 13	610434-50031	8 - 16
123126-10631	9 - 10	159012-01620	2 - 11	610444-56830	8 - 8
123127-03930	9 - 24	159015-55230	2 - 12	610473-52131	8 - 14
123130-02960	9 - 25	159912-55230	1 - 2	610903-55630	1 - 33
123133-04260	9 - 6	162010-55630	2 - 17	610910-51830	1 - 32
123134-04260	9 - 7	162014-52930	2 - 18	610922-55630	1 - 36
123137-04260	9 - 28	163400-49330	7 - 25	610923-55630	1 - 35
123138-03930	9 - 32	175005-49930	1 - 26	699012-03330	7 - 13
123139-03930	9 - 29	175018-49932	2 - 2	699013-56830	6 - 5
123140-27230	9 - 33	175046-46430	2 - 1	699229-56830	8 - 3
123141-03930	9 - 34	175048-05530	2 - 4	890118-49330	3 - 15
123142-03930	9 - 35	177200-55631	3 - 6	890121-47530	4 - 20
123142-09560	9 - 2	177202-41030	3 - 1	890152-04930	7 - 32
123146-10631	9 - 20	177214-41030	3 - 8	890611-55830	1 - 8
123146-17330	9 - 23	177215-43130	3 - 9	890617-43130	7 - 1
123149-26030	9 - 13	177218-40630	3 - 4	895112-00330	3 - 17
123168-10631	9 - 21	177220-40630	3 - 10	895610-00130	3 - 18
123169-10630	9 - 22	177226-01110	3 - 13	897518-01131	3 - 16
123171-35630	9 - 4	177227-42030	3 - 12	898510-07130	3 - 20

Index

Patrs Number	Key No.	Patrs Number	Key No.	Patrs Number	Key No.
900100-05018	7 - 12	900803-06001	8 - 20		
900105-05060	4 - 1	900807-06001	1 - 28		
900162-04014	3 - 14	900810-00629	8 - 12		
900162-05012	1 - 7	900812-06201	8 - 9		
900162-05012	1 - 37	94035-36201	1 - 24		
900162-05012	4 - 4	A130-000600	1 - 10		
900162-05012	5 - 16	A553-000000	2 - 3		
900162-05020	1 - 3	C450-000110	7 - 23		
900162-05020	1 - 9	C461-000000	7 - 22		
900162-05020	1 - 31	C461-000010	7 - 20		
900162-05020	2 - 16	C550-000080	6 - 8		
900162-05020	5 - 12	C550-000090	6 - 4		
900162-05025	1 - 34	C550-000100	6 - 1		
900162-05025	4 - 9	C554-000000	6 - 9		
900162-05025	6 - 6	P021-002620	6 - 7		
900162-05030	1 - 22	P021-005890	7 - 16		
900162-05057	4 - 18	P021-007410	1 - 12		
900162-06030	8 - 18	P022-000710	8 - 29		
900238-05010	2 - 19	P022-010370	8 - 26		
900242-05010	8 - 17	P022-010380	8 - 27		
900242-05014	7 - 15	P022-010390	8 - 25		
900242-05018	6 - 3	P022-010400	8 - 28		
900242-05025	7 - 18	P022-010410	8 - 30		
900242-05028	7 - 30	P022-010420	8 - 24		
900242-05035	7 - 3	V452-000120	7 - 21		
900242-05035	7 - 17	V471-001190	5 - 4		
900252-05012	6 - 10	V471-001210	5 - 3		
900253-04025	7 - 6	V475-000850	7 - 8		
900500-00005	4 - 7	X047-000330	8 - 23		
900500-00005	7 - 4	X602-000020	3 - 19		
900500-00005	7 - 19	X690-000030	3 - 21		
900500-00005	7 - 19				
900502-00006	7 - 9				
900502-00008	2 - 5				
900502-00008	3 - 5				
900565-00005	6 - 2				
900600-00005	4 - 2				
900600-00008	2 - 7				
900603-50008	8 - 15				
900605-00008	2 - 6				
900700-00004	3 - 2				
900701-00012	1 - 29				
900701-00012	8 - 22				
900702-00028	1 - 27				
900702-00028	8 - 21				
900702-00032	8 - 7				
900720-00004	1 - 4				
900720-00012	8 - 5				
900800-06001	8 - 19				

YAMABIKO CORPORATION

7-2 SUEHIROCHO 1-CHOME, OHME, TOKYO 198-8760, JAPAN
PHONE: 81-428-32-6118. FAX: 81-428-32-6145.



5(L)
No.