



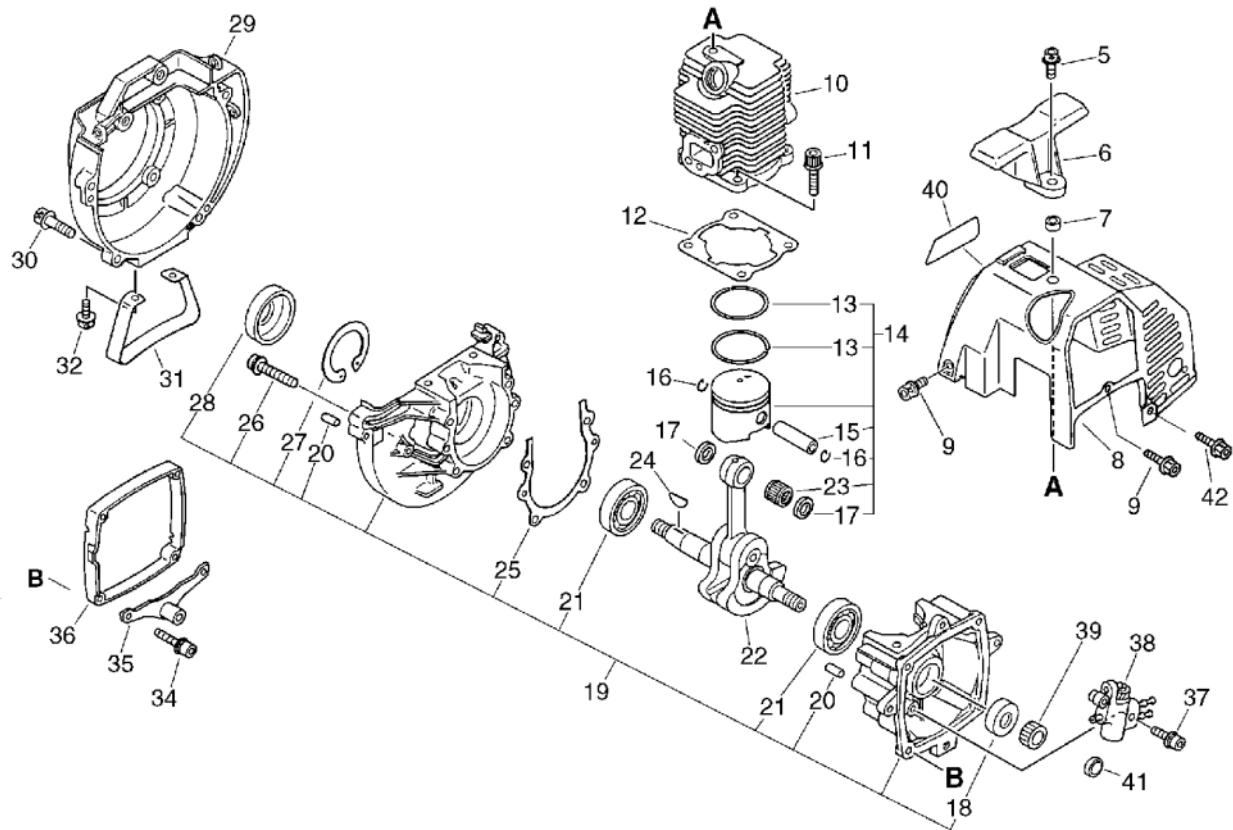
PARTS CATALOGUE

GRASS-TRIMMER / BRUSHCUTTER

SRM-343SL

1. Cylinder, Crankcase, Piston, Fan Cover

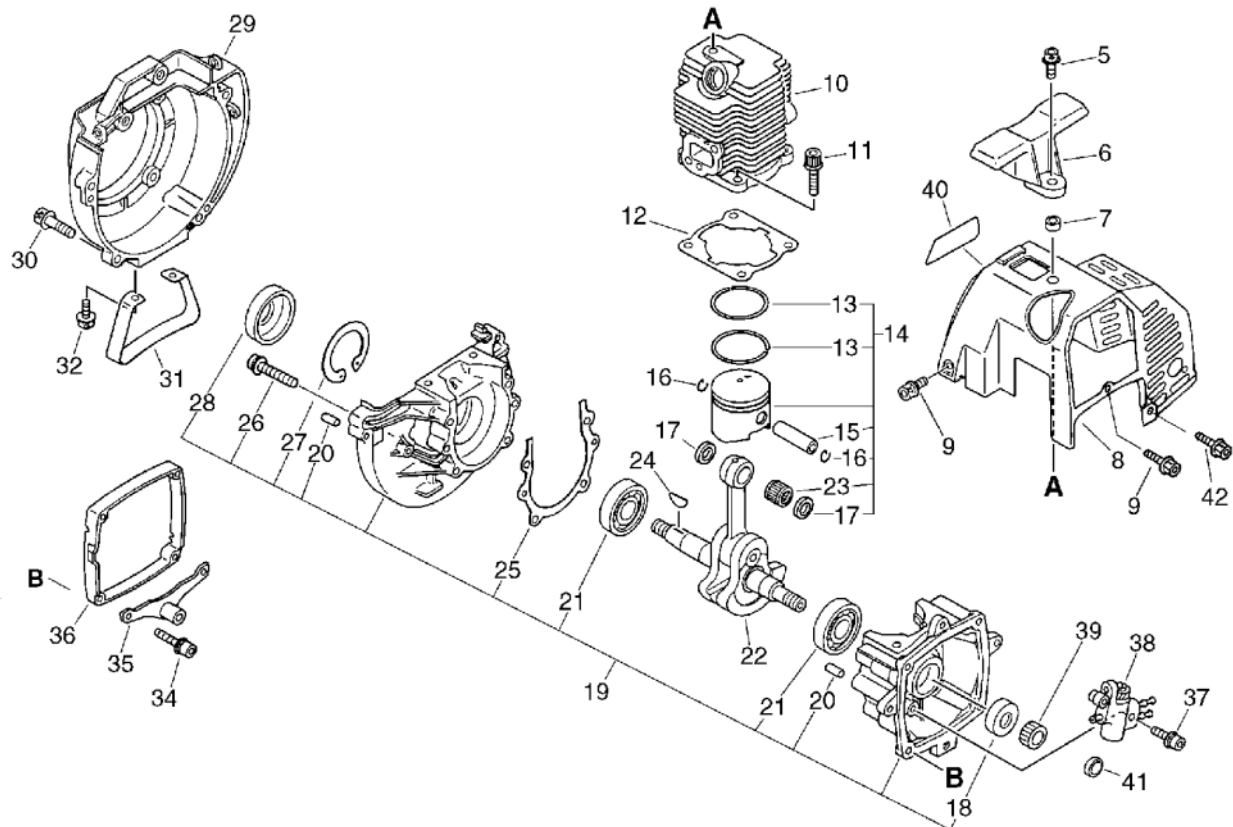
No.1



KEY	LV	PART NUMBER	Q'TY	DESCRIPTION	REMARKS	NOTE1	NOTE2
5		900162-05025	1	BOLT, H.S. 5*25	5*25 W,SW		
6		159905-46430	1	GUARD, TOP			
7		159906-46430	1	COLLAR	6.2*12*8		
8		101506-46430	1	COVER, CYLINDER		Sus. by 101506-46431	
8		101506-46431	1	COVER, CYLINDER			
9		900162-05014	3	BOLT, H.S. 5*14	5*14 W,SW		
10		101011-46431	1	CYLINDER			
11		900162-05020	4	BOLT, H.S. 5*20	5*20 W,SW		
12		101010-46431	1	GASKET, CYL. BASE			
14		100000-53630	1	PISTON KIT		Sus. by 100000-53631	
14		100000-53631	1	PISTON KIT			
13	+	100011-46430	2	RING, PISTON			
15	+	100013-27430	1	PIN, PISTON			
16	+	100015-03930	2	CIRCLIP, PISTON PIN		Sus. by 100015-03931	
16	+	100015-03931	2	CIRCLIP, PISTON PIN			
17	+	100014-53630	2	SPACER, PISTON PIN			
23	+	100012-16131	1	BEARING, NEEDLE			
19		100204-50430	1	CRANKCASE KIT			
18	+	100213-05530	1	OILSEAL	ISCD 12 22 7		
20	+	100215-02830	4	PIN, DOWEL			
21	+	900810-36201	2	BEARING, BALL 6201	6201/C3	Sus. by 94035-36201	
21	+	94035-36201	2	BEARING BALL	6201X3JR2C3		

1. Cylinder, Crankcase, Piston, Fan Cover

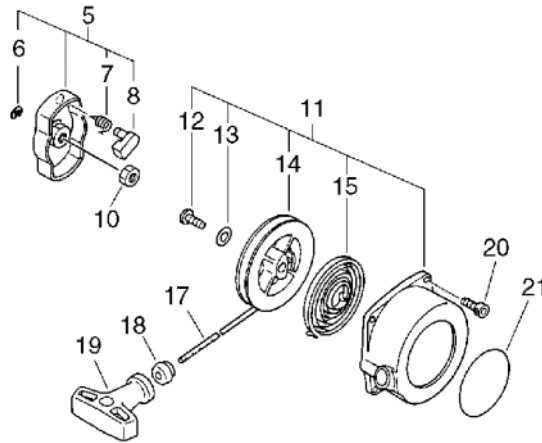
No.1



KEY	LV	PART NUMBER	Q'TY	DESCRIPTION	REMARKS	NOTE1	NOTE2
25	+	100242-46430	1	GASKET, CRANKCASE			
26	+	900242-05030	4	SCREW 5*30	5*30		
27	+	900702-00032	1	CIRCLIP 32	CR-32		
28	+	100212-03930	1	OILSEAL	ISCX12*32*5.5		
22		100105-50430	1	CRANKSHAFT			
24		100142-12330	1	KEY, WOODRUFF			
29		101535-46431	1	COVER, FAN		Sus. by 101511-46431	
29		101511-46431	1	COVER, FAN			
30		900162-05020	4	BOLT, H.S. 5*20	5*20 W,SW		
31		305110-46430	1	STAND			
32		900162-05012	2	BOLT, H.S. 5*12	5*12 W,SW		
34		900162-04025	2	BOLT, H.S. 4*25	4*25 W,SW		
35		131910-50430	1	BRACKET, FUEL TANK			
36		131045-50430	1	SPACER			
37		900240-04016	2	SCREW 4*16	4*16		
38		437002-50430	1	AUTO-OILER ASSY		Sus. by 437002-50431	
38		437002-50431	1	AUTO-OILER ASSEMBLY			
39		437063-50430	1	GEAR, WORM			
40		890112-50430	1	LABEL, MODEL			
41		100127-50430	1	COLLAR 8			
42		900162-04012	1	BOLT, H.S. 4*12	4*12 W,SW		

2. Starter

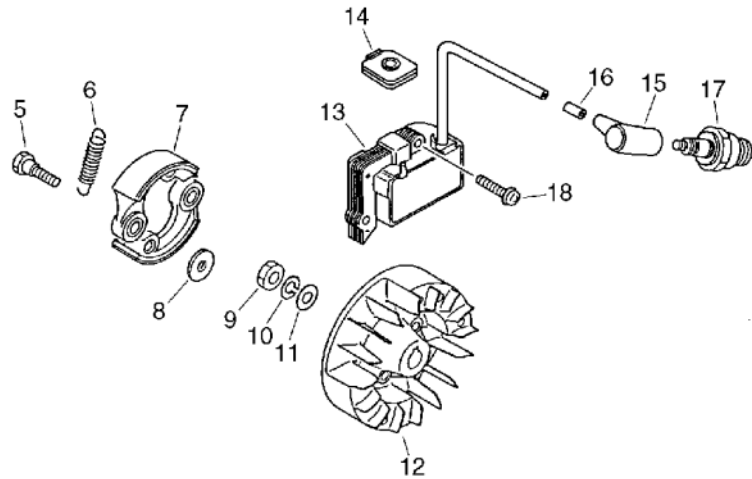
No.2



KEY	LV	PART NUMBER	Q'TY	DESCRIPTION	REMARKS	NOTE1	NOTE2
5		177202-41030	1	PAWL ASSY, STARTER			
6	+	900700-00004	1	E-RING 4	CE-4		
7	+	177234-40630	1	SPRING, RETURN			
8	+	177218-40630	1	PAWL, STARTER	WHITE		
10		900502-00008	1	NUT 8 (3N)	3N8		
11		177200-46430	1	STARTER ASSY		Sus. by 177200-46431	
11		177200-46431	1	STARTER ASSY			
12	+	177236-40630	1	SCREW			
13	+	177214-41030	1	WASHER			
14	+	177215-43130	1	DRUM, STARTER			
15	+	177220-40630	1	SPRING, REWIND			
17	+	177226-01110	1	ROPE, STARTER	4.0*880		
18	+	177227-42030	1	GUIDE, ROPE			
19	+	177228-11120	1	GRIP, STARTER		Sus. by 177228-27030	
19	+	177228-27030	1	GRIP, STARTER			
20		900162-04025	2	BOLT, H.S. 4*25	4*25 W,SW		
21		890118-49330	1	LABEL, ECHO			

3. Magneto, Clutch

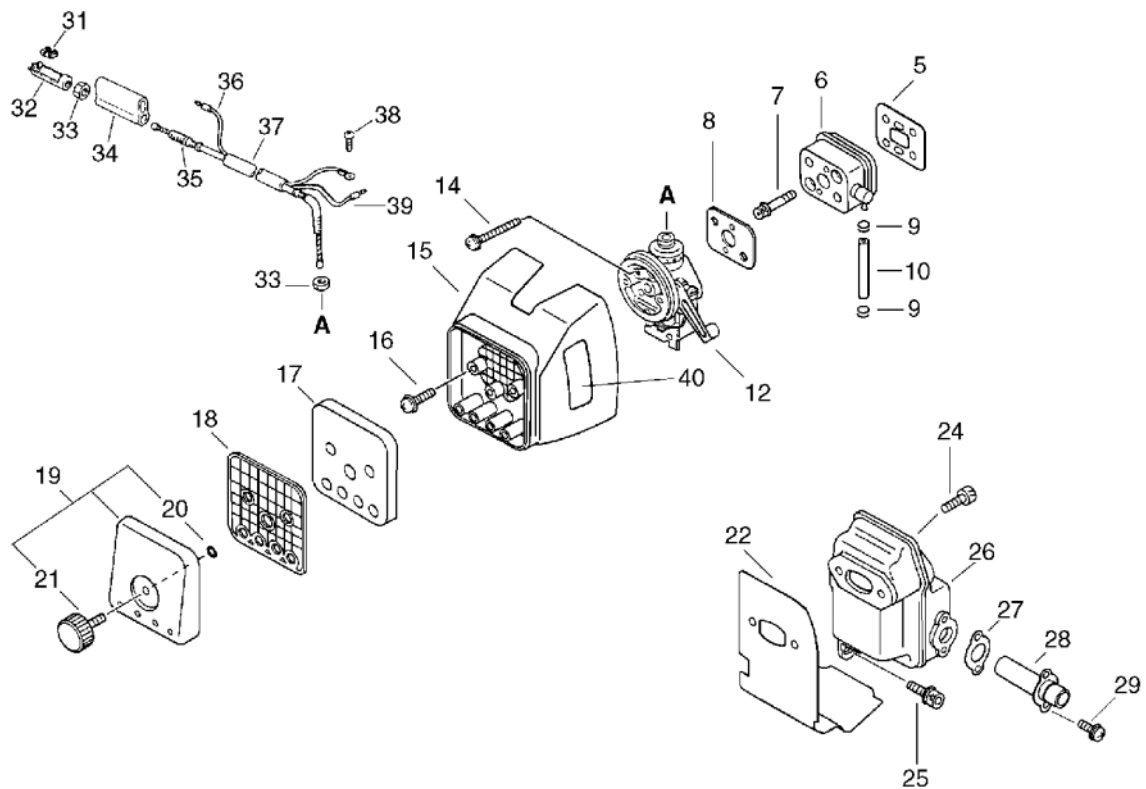
No.3



KEY	LV	PART NUMBER	Q'TY	DESCRIPTION	REMARKS	NOTE1	NOTE2
5		175046-46430	2	BOLT, CLUTCH			
6		175018-49930	1	SPRING, CLUTCH		Sus. by 175018-49932	
6		175018-49931	1	SPRING, CLUTCH		Sus. by 175018-49932	
6		175018-49932	1	SPRING, CLUTCH			
7		175009-49930	2	SHOE, CLUTCH		Sus. by A553-00000	
7		A553-00000	2	ARM, CLUTCH			
8		175048-05530	2	WASHER (I)	6.2*19*1.0		
9		900502-00008	1	NUT 8 (3N)	3N8		
10		900605-00008	1	WASHER, SPRING 8	8		
11		900600-00008	1	WASHER 8	8		
12		156801-52930	1	FLYWHEEL			
13		156601-46430	1	C.D.IGNITION MODULE			
14		152112-46430	1	BUSHING			
15		159012-10230	1	CAP, SPARK PLUG			
16		159016-05330	1	ADAPTER, PLUG CAP			
17		159010-10230	1	PLUG, SPARK (BPMR-7A)	BPMR-7A		
18		900242-05020	2	SCREW 5*20	5*20		

4. Air Cleaner, Muffler

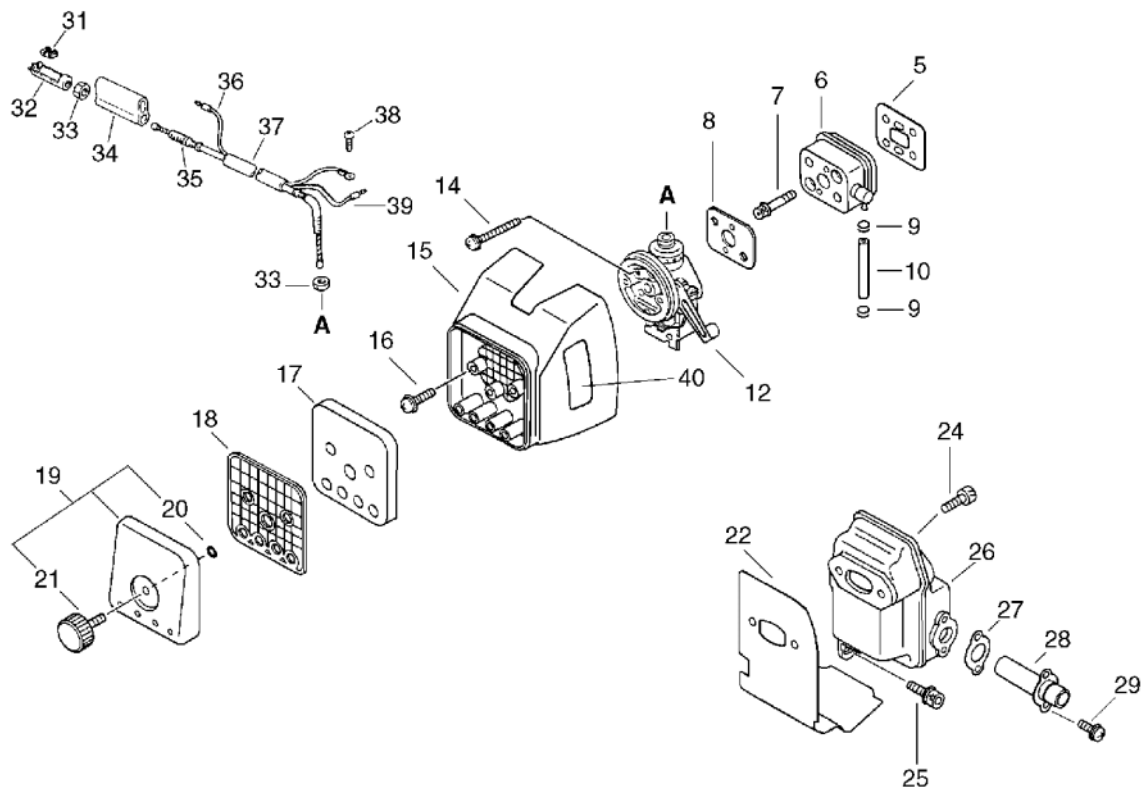
No.4



KEY	LV	PART NUMBER	Q'TY	DESCRIPTION	REMARKS	NOTE1	NOTE2
5		130010-46431	1	GASKET			
6		130007-50430	1	INSULATOR		Sus. by 130007-50431	
6		130007-50431	1	INSULATOR			
7		900162-05020	2	BOLT, H.S. 5*20	5*20 W,SW		
8		130016-22331	1	GASKET			
9		132014-50430	2	CLIP, PIPE			
10		132716-34330	1	PIPE,PUMP 4*2*80L	2*4*80		
12		124200-50330	1	CARBURETOR ASSY	DPK11R-35B		
14		900242-05035	2	SCREW 5*35	5*35		
15		130307-46431	1	CASE, AIR CLEANER		Sus. by 130307-46432	
15		130307-46432	1	CASE, AIR CLEANER			
16		900242-04018	2	SCREW 4*18	4*18	Sr/Nr 005450 and before	
16		900242-04020	2	SCREW 4*20	4*20	Sr/Nr 005451 and after	
17		130310-46430	1	FILTER, AIR			
18		130311-46430	1	GRIP, AIR CLEANER			
19		130302-46430	1	COVER ASSY, AIR CLN.			
20	+	900720-00003	1	O-RING P-3	P-3		
21	+	130406-16331	1	NUT, THUMB			
22		145910-46431	1	INSULATOR, MUFFLER			
24		900105-05016	2	BOLT, H.S. 5*16	5*16		
25		900162-05014	1	BOLT, H.S. 5*14	5*14 W,SW		
26		145610-46430	1	MUFFLER			

4. Air Cleaner, Muffler

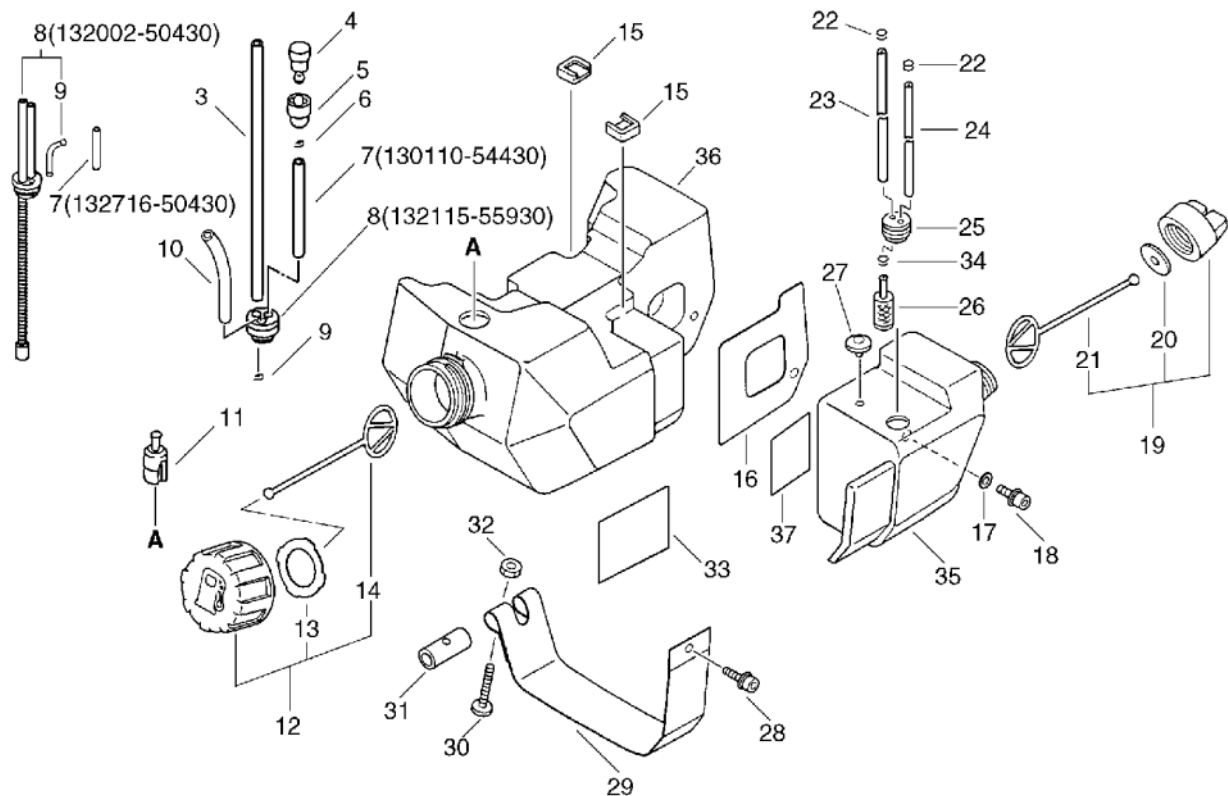
No.4



KEY	LV	PART NUMBER	Q'TY	DESCRIPTION	REMARKS	NOTE1	NOTE2
27		145618-46431	1	GASKET, MUFFLER			
28		145619-46430	1	LID, MUFFLER			
29		900242-04014	2	SCREW 4*14	4*14		
31		178049-06630	1	CONNECTOR			
32		178114-05630	1	CONNECTOR, THR. WIRE			
33		178021-05530	2	LOCKNUT			
34		178128-22130	1	SLEEVE			
35		178001-50330	1	WIRE, THROTTLE			
36		162014-50330	1	LEAD, GROUND			
37		178127-50330	1	TUBE	10*11*140		
38		900242-05010	1	SCREW 5*10	5*10		
39		162010-50330	1	LEAD, GROUND		Sus. by 162021-27230	
39		162021-27230	1	LEAD			
40		890121-50430	1	LABEL, CHOKE			

5. Fuel Tank

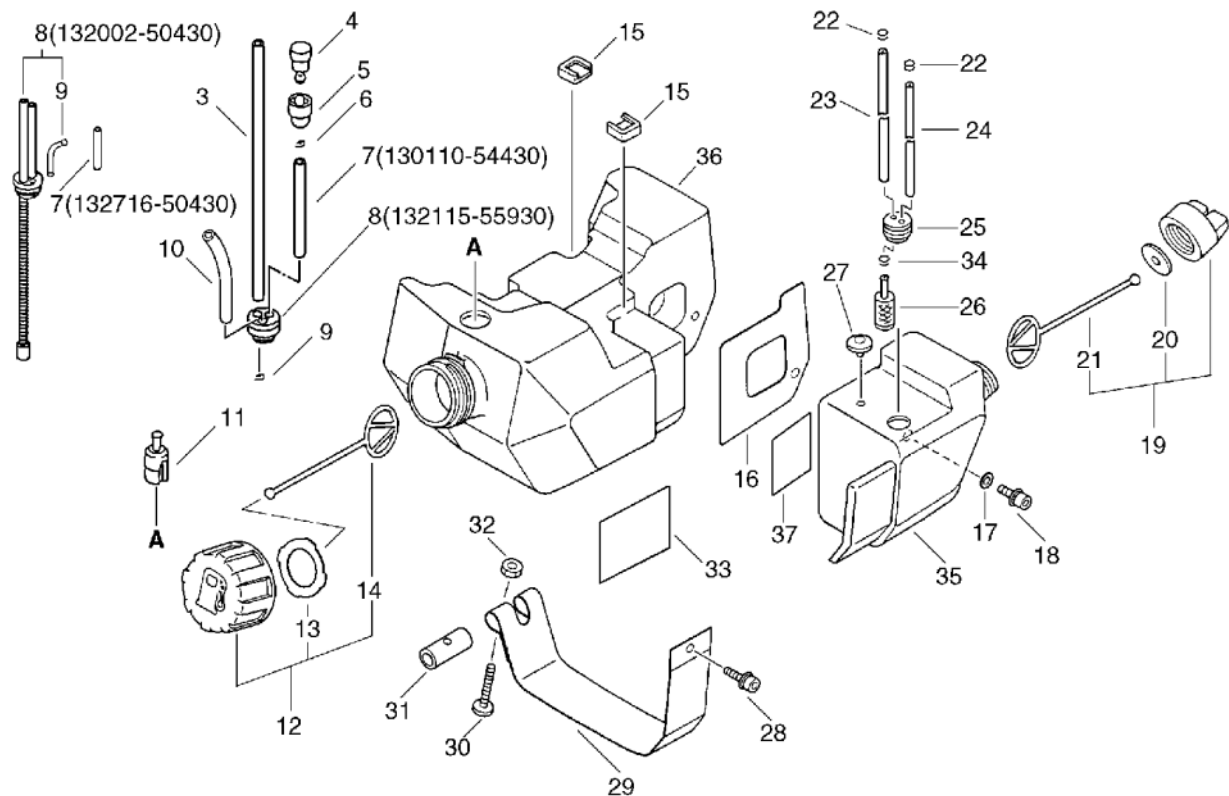
No.5



KEY	LV	PART NUMBER	Q'TY	DESCRIPTION	REMARKS	NOTE1	NOTE2
3		132010-14530	1	PIPE, FUEL	3*6*225 NBR	Sr/Nr 005451 and after	
4		131300-49930	1	VALVE, CHECK		Sus. by 131300-56430	
4		131300-56430	1	VALVE, CHECK			
5		131328-40630	1	COVER, VENT			
6		130111-00530	1	CLIP	5.5		
7		132716-50430	1	PIPE 3*3*45	3*6*45	Sr/Nr 005450 and before	
7		130110-54430	1	PIPE, IMPULSE	3*6*105 NBR	Sr/Nr 005451 and after	
8		132002-50430	1	PIPE, FUEL		Sr/Nr 005450 and before	
9	+	132021-49830	1	CONNECTOR, PIPE		Sr/Nr 005450 and before	
8		132115-55930	1	GROMMET, FUEL		Sr/Nr 005451 and after	
9		132013-26630	1	CLIP	6.5MM	Sr/Nr 005451 and after	
10		132717-50430	1	PIPE 3* 6* 70	3*6*70 YL	Sr/Nr 005451 and after	
11		131205-19830	1	STRAINER, FUEL			
12		131600-50430	1	CAP ASSY, FUEL TANK		Sus. by 131004-54930	
12		131004-54930	1	CAP ASSY, FUEL TANK			

5. Fuel Tank

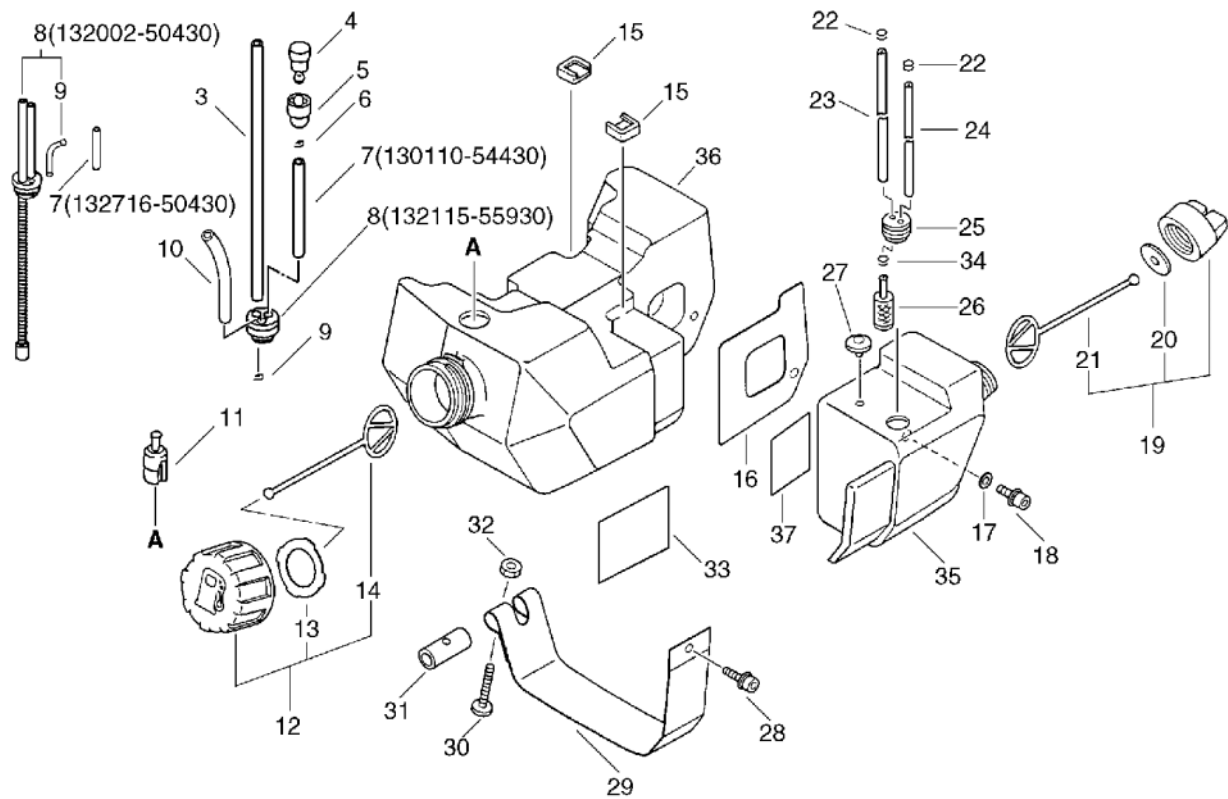
No.5



KEY	LV	PART NUMBER	Q'TY	DESCRIPTION	REMARKS	NOTE1	NOTE2
13	+	131016-40930	1	GASKET, FUEL CAP			Can be used on the 131600-50430 only
13	+	131016-55830	1	GASKET, FUEL CAP			Can be used on the 131004-54930 only
14	+	131051-52430	1	CONNECTOR, CAP	80L		
15		131923-11120	3	CUSHION			
16		131920-50430	1	CUSHION, FUEL TANK			
17		900603-00005	1	WASHER 5	5.5*12*0.8		
18		900162-05014	1	BOLT, H.S. 5*14	5*14 W,SW		
19		436001-54830	1	CAP ASSY, OIL TANK			
20	+	436012-37830	1	GASKET, CIRCULAR			
21	+	131051-19830	1	LINK	60L		
22		132014-50430	2	CLIP, PIPE			
23		132010-50430	1	PIPE	2*4*160		
24		132012-50430	1	PIPE	2*4*130		
25		132115-50430	1	GROMMET, FUEL			
26		436205-50430	1	STRAINER, OIL			
27		131314-06320	1	VALVE, CHECK			
28		900162-05012	1	BOLT, H.S. 5*12	5*12 W,SW		
29		131917-50430	1	BAND, FUEL TANK			
30		900220-05030	1	SCREW 5*30	5*30		
31		131931-45430	1	BRACKET			
32		900500-00005	1	NUT 5	5		
33		890147-50430	1	LABEL, FUEL MIX			

5. Fuel Tank

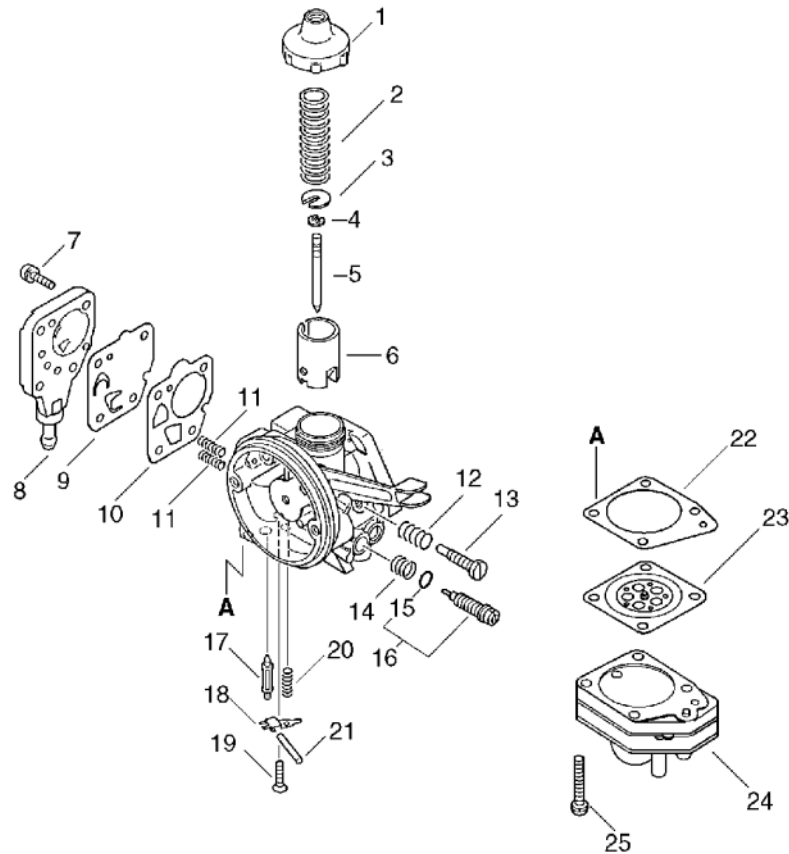
No.5



KEY	LV	PART NUMBER	Q'TY	DESCRIPTION	REMARKS	NOTE1	NOTE2
34		132013-50430	1	CLIP, PIPE			
35		436010-50430	1	TANK, OIL			
36		131005-50431	1	TANK, FUEL		Sr/Nr 005450 and before	
36		131005-50432	1	TANK, FUEL		Sr/Nr 005451 and after	
37		131924-50430	1	CUSHION, FUEL TANK			

6. Carburetor

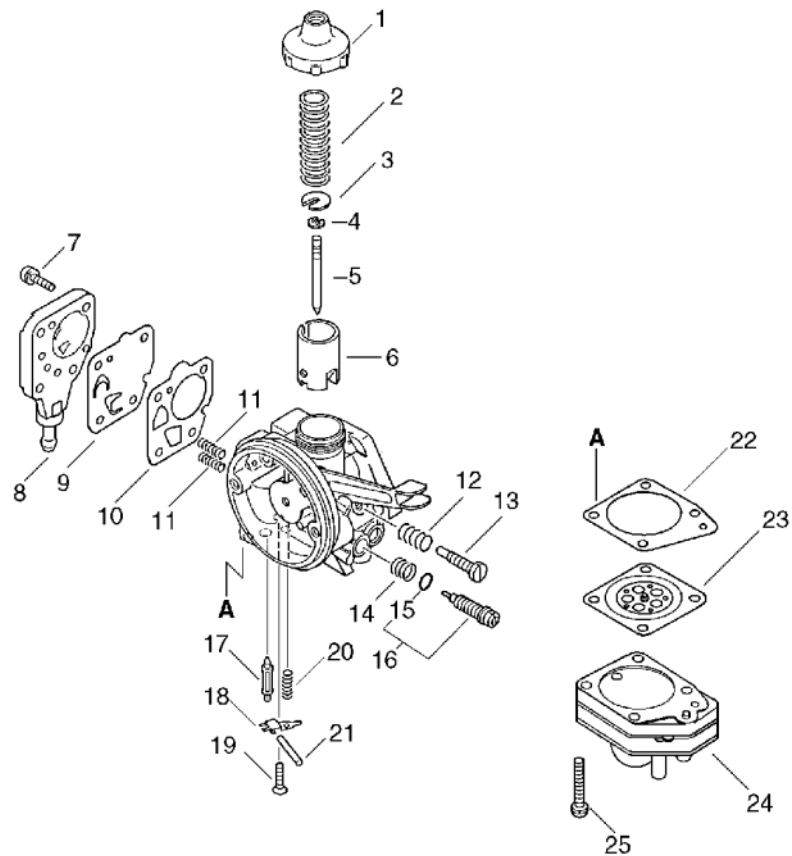
No.6



KEY	LV	PART NUMBER	Q'TY	DESCRIPTION	REMARKS	NOTE1	NOTE2
		124200-50330	1	CARBURETOR ASSY	DPK11R-35B		
1	+	124113-05530	1	COVER, TOP			
2	+	124114-50330	1	SPRING, THROTTLE			
3	+	124115-05530	1	SEAT, SPRING			
4	+	124116-05530	1	E-RING			
5	+	124317-49930	1	NEEDLE, JET			
6	+	124318-49930	1	VALVE, THROTTLE			
7	+	900241-03010	4	SCREW 3*10 (W/SW)	3*10		
8	+	124365-05510	1	COVER, PUMP			
9	+	124364-05510	1	DIAPHRAGM, FUEL PUMP			
10	+	124363-21330	1	GASKET, PUMP DIAPH.			
11	+	124355-50130	2	SPRING, ADJUSTMENT			
12	+	124333-05630	1	SPRING, IDLE ADJUST			
13	+	124159-05530	1	SCREW, IDLE ADJUST			
14	+	124355-21330	1	SPRING, ADJUSTMENT			
16	+	124354-46430	1	SCREW, MAIN ADJUST		Sus. by 124354-12710	
16	+	124354-12710	1	SCREW, MAIN ADJUST			
15	++	124356-21330	1	O-RING			
17	+	124320-52830	1	VALVE, NEEDLE			
18	+	124321-21330	1	LEVER, INLET CONTROL			
19	+	900204-03008	1	SCREW 3*8	-SF3*8	Sus. by 900212-03008	
19	+	900212-03008	1	SCREW 3*8	+SF3*8		
20	+	124331-49930	1	SPRING, TENSION			
21	+	124332-21330	1	PIN, LEVER			

6. Carburetor

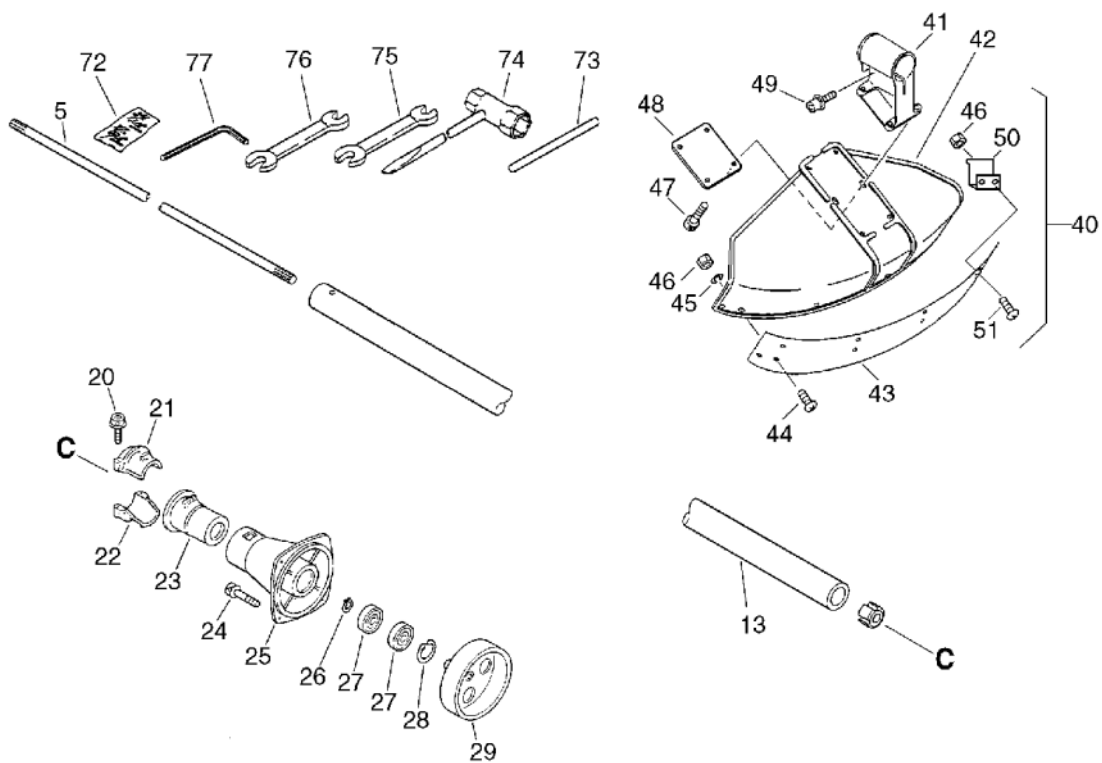
No.6



KEY	LV	PART NUMBER	Q'TY	DESCRIPTION	REMARKS	NOTE1	NOTE2
22	+	124358-49930	1	GASKET, DIAPHRAGM			
23	+	124341-49930	1	DIAPHRAGM			
24	+	124309-11320	1	COVER ASY, DIAPHRAGM			
25	+	900241-03020	4	SCREW 3*20	3*20		

7. Shield, Tools

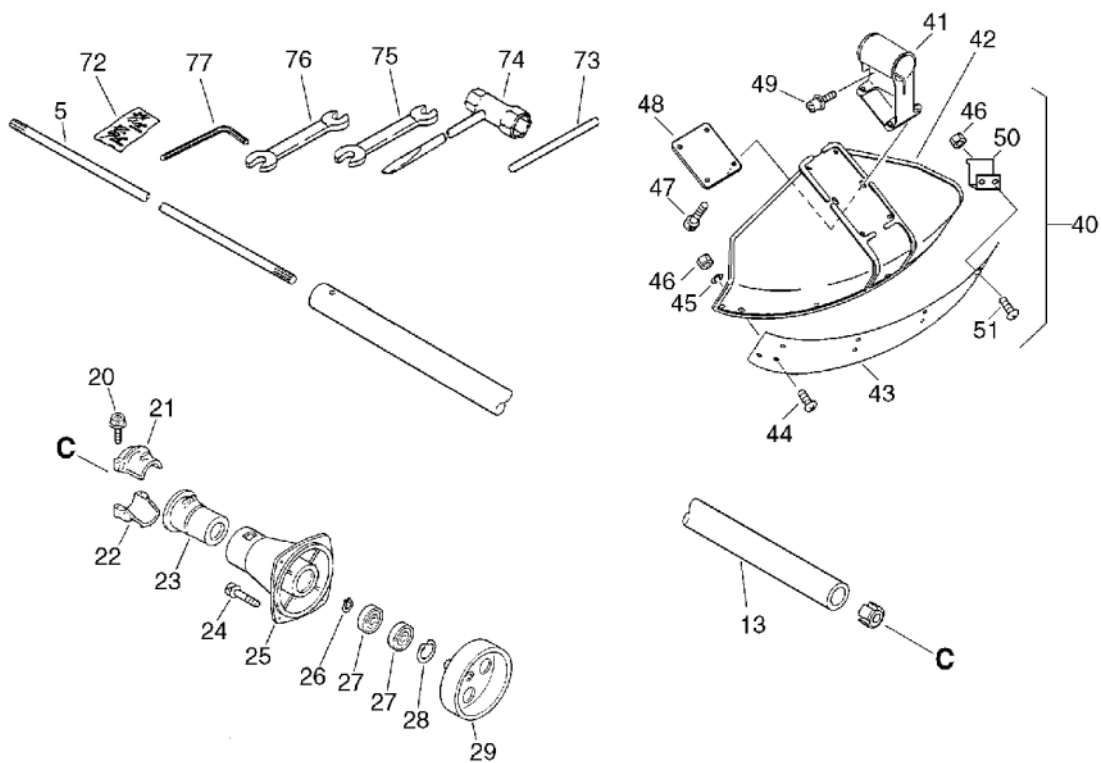
No.7



KEY	LV	PART NUMBER	Q'TY	DESCRIPTION	REMARKS	NOTE1	NOTE2
5		610011-06230	1	SHAFT, DRIVE			
13		610206-52930	1	HOUSING ASSY, D.SHFT			
20		900162-05025	2	BOLT, H.S. 5*25	5*25 W,SW		
21		610922-40430	1	HOLDER			
22		610923-40430	1	HOLDER			
23		610910-40430	1	CUSHION			
24		900162-05016	4	BOLT, H.S. 5*16	5*16 W,SW		
25		610205-46430	1	CASE, FLANGE			
26		900701-00012	1	CIRCLIP 12	CS-12		
27		900807-06001	2	BEARING, BALL 6001	6001V(LB)		
28		900702-00028	1	CIRCLIP 28	CR-28		
29		175005-49930	1	DRUM, CLUTCH			
40		699001-50430	1	SHIELD ASSY			
41	+	699011-43130	1	BRACKET, SHIELD			
42	+	699010-54430	1	SHIELD, BLADE			
43	+	699013-52130	1	PLATE, SHIELD			
44	+	900242-05018	4	SCREW 5*18	5*18		
45	+	900603-00005	4	WASHER 5	5.5*12*0.8		
46	+	900500-00005	6	NUT 5	5		
47	+	900242-05014	4	SCREW 5*14	5*14		
48	+	699015-52130	1	PLATE, SHIELD			
49	+	900142-05025	2	BOLT 5*25 (W/W,SW)	5*25		
50	+	699016-52130	1	KNIFE, CORD		Sus. by 699016-54530	
50	+	699016-54530	1	KNIFE			
51	+	900242-05012	2	SCREW 5*12	5*12		

7. Shield, Tools

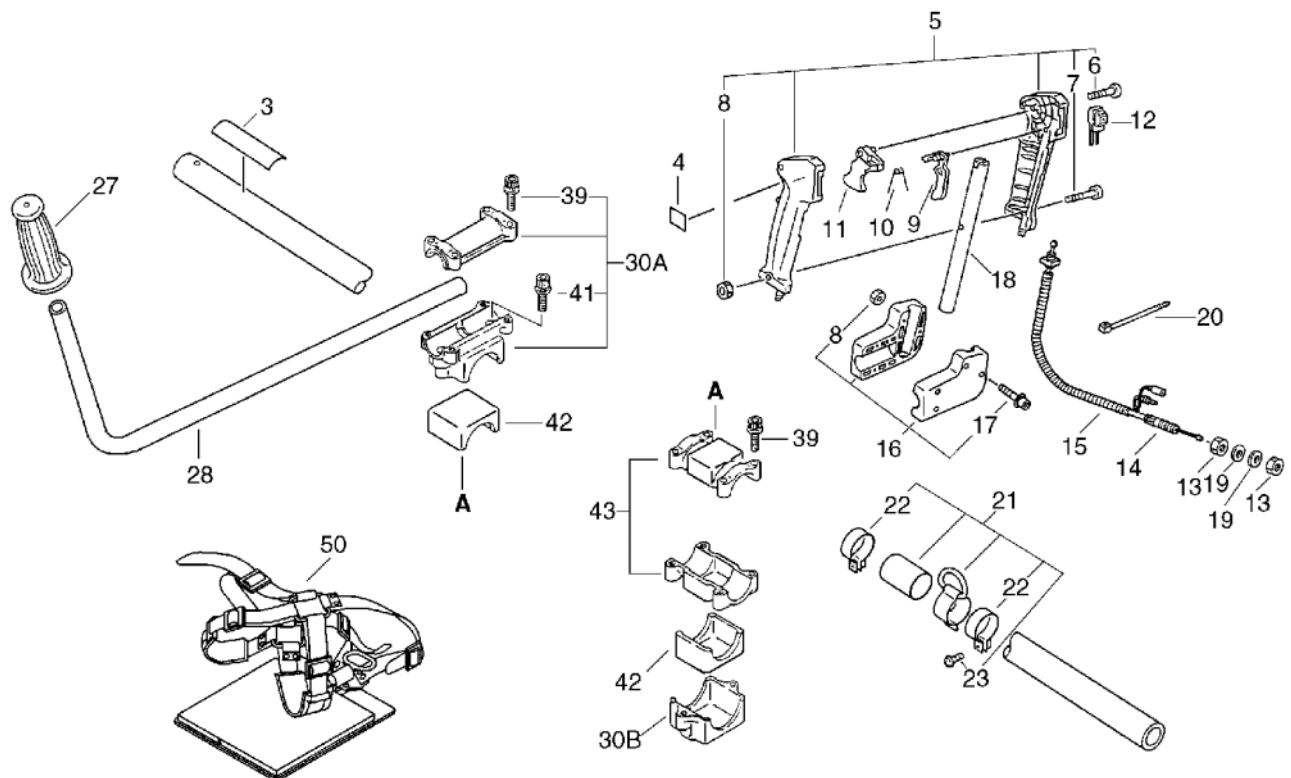
No.7



KEY	LV	PART NUMBER	Q'TY	DESCRIPTION	REMARKS	NOTE1	NOTE2
72		898502-01130	1	PIN 2*22 (W/POUCH)			
73		897518-01131	1	LOCKING TOOL			
74		895410-08030	1	WRENCH, W/S. DRIVER		Sus. by X602-000020	
74		X602-000020	1	TOOL,WRENCH	17*19 L200		
75		895112-00330	1	SPANNER 8*10			
76		895123-03830	1	SPANNER 10*13			
77		895610-00130	1	L-WRENCH (4MM)			

8. U-Handle

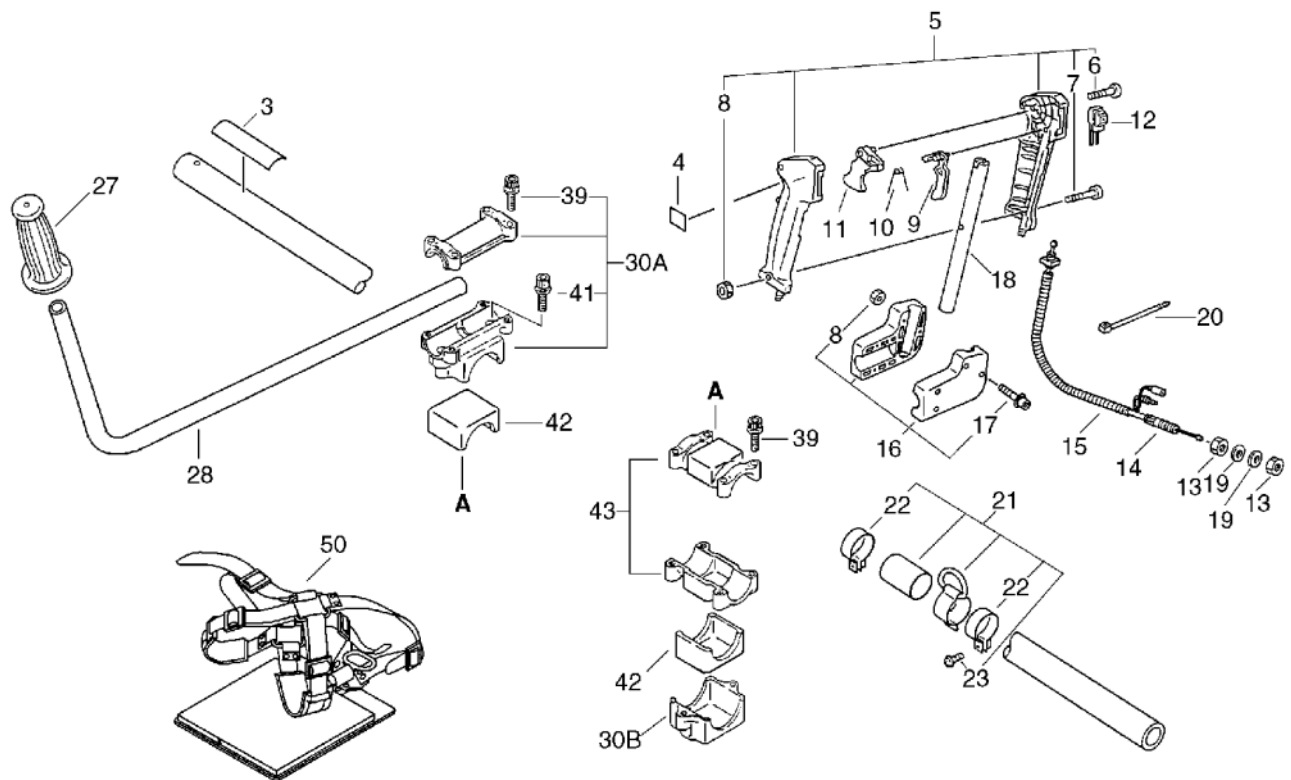
No.8



KEY	LV	PART NUMBER	Q'TY	DESCRIPTION	REMARKS	NOTE1	NOTE2
3		890617-46830	1	LABEL, CAUTION		Sus. by 890617-43130	
3		890617-43130	1	LABEL, CAUTION			
4		890157-39130	1	LABEL, SWITCH		Diuse	
5		351102-47530	1	GRIP ASSY, F-HANDLE			
6	+	900246-03025	4	SCREW 3*25	3*25		
7	+	900220-05030	1	SCREW 5*30	5*30		
8	+	900500-00005	1	NUT 5	5		
9		178012-05960	1	LOCKOUT, THROTTLE			
10		178013-35631	1	SPRING, THR. LOCK			
11		178010-05960	1	CONTROL, THROTTLE			
12		163400-50330	1	SWITCH, IGNITION			
13		900502-00006	2	NUT 6 (3N)	3N6		
14		178001-27230	1	WIRE, THROTTLE			
15		162110-27230	1	TUBE	7*590		
16		351202-51430	1	BRACKET ASSY, HANDLE			
8	+	900500-00005	4	NUT 5	5		
17	+	900162-05020	4	BOLT, H.S. 5*20	5*20 W, SW		
18		351210-52430	1	HANDLE, FRONT			
19		900603-00006	2	WASHER 6	6.5*13*1		
20		178121-43230	2	BAND	CV-150 BL		
21		301200-06230	1	HOOK ASS'Y			
22	+	301207-05630	2	HOOK			
23	+	900242-05014	2	SCREW 5*14	5*14		
27		351311-22430	1	GRIP, HANDLE			
28		351110-52430	1	HANDLE, FRONT			

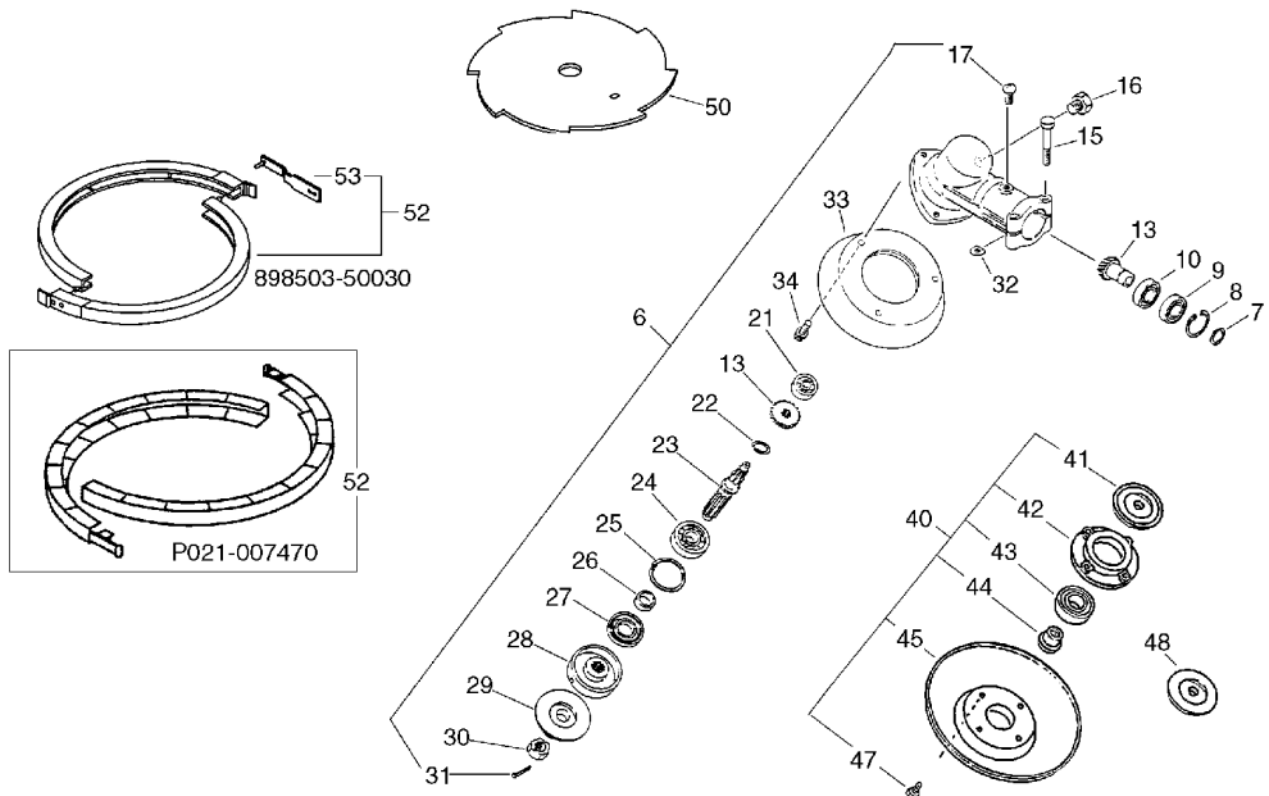
8. U-Handle

No.8



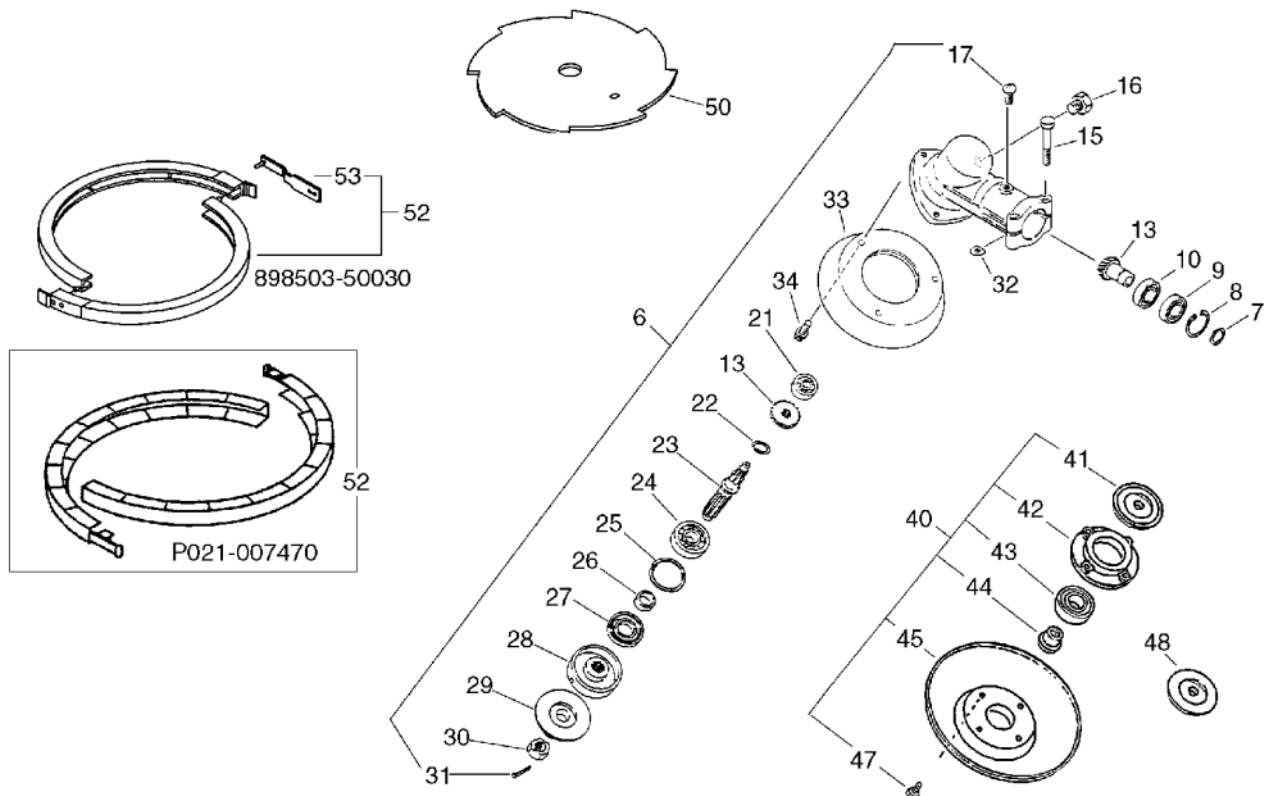
KEY	LV	PART NUMBER	Q'TY	DESCRIPTION	REMARKS	NOTE1	NOTE2
30		351301-45430	1	FIXTURE, ASSY HANDLE			
39	+	900162-05025	4	BOLT, H.S. 5*25	5*25 W,SW		
41	+	900162-05030	2	BOLT, H.S. 5*30	5*30 W,SW		
42		351335-40530	2	CUSHION			
43		610601-40530	1	HOLDER			
39	+	900162-05025	4	BOLT, H.S. 5*25	5*25 W,SW		
50		301300-24830	1	HARNESS ASSY		Sus. by 301001-52130	
50		301300-24831	1	HARNESS ASSY		Sus. by 301001-52130	
50		301001-52130	1	HARNESS, SHOULDER			

9. Gear Case(U-Handle Type), Blade No.9



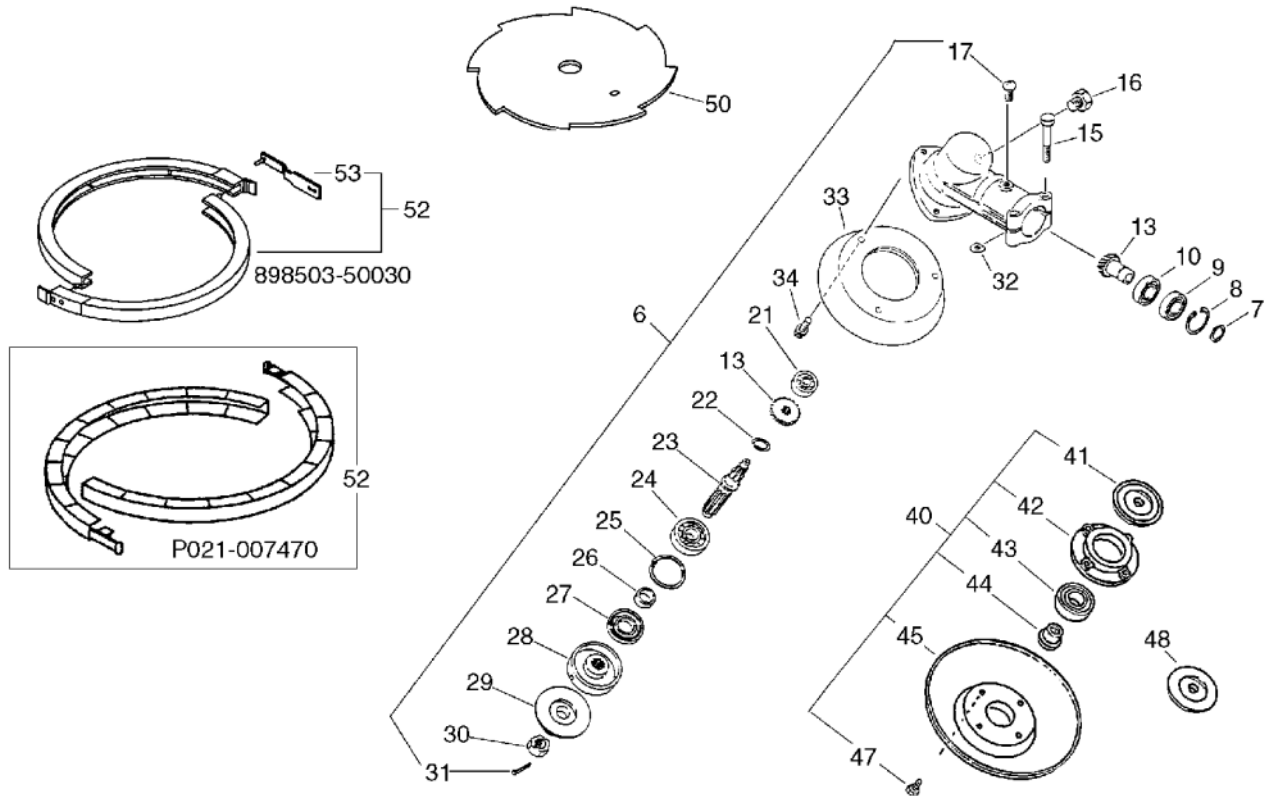
KEY	LV	PART NUMBER	Q'TY	DESCRIPTION	REMARKS	NOTE1	NOTE2
6		610400-40430	1	HOUSING ASSY, GEAR		Sus. by 610400-40431	
6		610400-40431	1	CASE ASY, GEAR			
7	+	900701-00012	1	CIRCLIP 12	CS-12		
8	+	900702-00028	1	CIRCLIP 28	CR-28		
9	+	900807-06001	1	BEARING, BALL 6001	6001V(LB)		
10	+	900800-06001	1	BEARING, BALL 6001	6001		
13	+	610300-40430	1	GEAR SET			
15	+	900142-05030	2	BOLT 5*30 (W/W,SW)	5*30		
16	+	610434-50030	1	BOLT 8* 6		Sus. by 610434-50031	
16	+	610434-50031	1	BOLT 8* 8	M8*8		
17	+	900242-05010	1	SCREW 5*10	5*10		
21	+	900800-36000	1	BEARING, BALL 6000	6000/C3		
22	+	900706-00012	1	CIRCLIP 12	WR-12		
23	+	610310-07130	1	SHAFT, P.T.O.			
24	+	900810-06201	1	BEARING, BALL 6201	6201		
25	+	900702-00032	1	CIRCLIP 32	CR-32		
26	+	610315-07130	1	SPACER			
27	+	610413-07130	1	OILSEAL			
28	+	610313-07130	1	PLATE, ADAPTER (U)	PD 25.4	Sus. by 610313-07132	
28	+	610313-07131	1	PLATE, ADAPTER (U)	PD 25.4	Sus. by 610313-07132	
28	+	610313-07132	1	PLATE, ADAPTER (U)			
29	+	610314-07130	1	PLATE, ADAPTER (L)			

9. Gear Case(U-Handle Type), Blade No.9



KEY	LV	PART NUMBER	Q'TY	DESCRIPTION	REMARKS	NOTE1	NOTE2
30	+	900511-00010	1	NUT 10 (L-H)	10*P1.25		
31	+	900300-20022	1	PIN, SPLIT 2*22	2*22		
32	+	610239-04130	2	WASHER, SHIM			
33	+	610443-21232	1	PLATE, GUARD		Sus. by C536-000030	
33	+	C536-000030	1	COVER, GEAR CASE			
34	+	900242-05020	3	SCREW 5*20	5*20		
40		699200-07131	1	CUP ASSY, FREE			
41	+	610333-07130	1	PLATE, ADAPTER (L)			
42	+	699226-05430	1	HOLDER, BEARING			
43	+	900814-06202	1	BEARING, BALL 6202	6202ZZ		
44	+	699227-04630	1	NUT			
45	+	699228-08930	1	PLATE, COVER			
47	+	900141-05012	4	BOLT 5*12	5*12		
48		610336-07131	1	PLATE, ADAPTER (L)			
50		696001-01130	1	BLADE, 8-CUTTER 10IN		Sus. by 696001-55631	
50		696001-55630	1	BLADE, 8-CUTTER 10IN		Sus. by 696001-55631	
50		696001-55631	1	BLADE, 8-CUTTER 10IN	255*8T*1.4 PD25		
52		898503-50030	1	SCABBARD KIT, BLADE		Sus. by P021-007470	
52		P021-007470	1	SCABBARD, BLADE			

9. Gear Case(U-Handle Type), Blade No.9

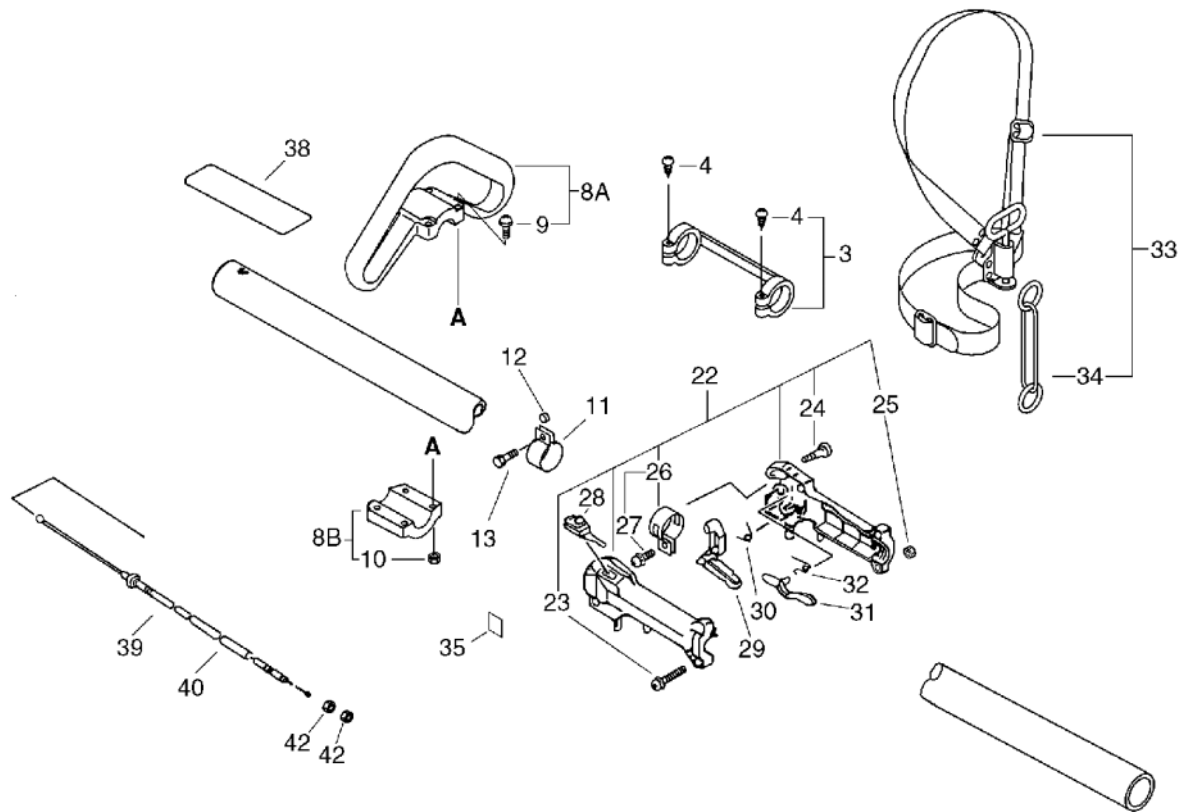


KEY	LV	PART NUMBER	Q'TY	DESCRIPTION	REMARKS	NOTE1	NOTE2
-----	----	-------------	------	-------------	---------	-------	-------

53	+	898562-43230	1	FIXTURE, SCABBARD		Can be used on 898503-50030 only	
----	---	--------------	---	-------------------	--	-------------------------------------	--

10. Loop Handle

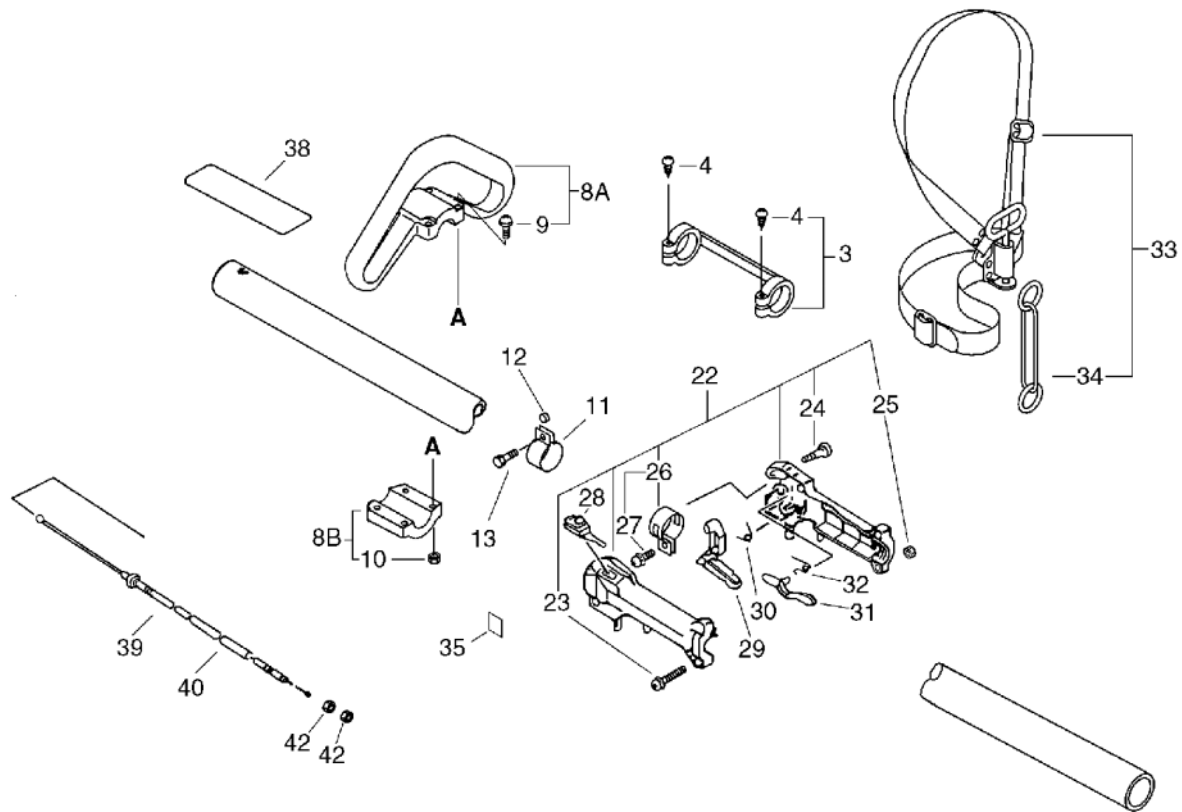
No.10



KEY	LV	PART NUMBER	Q'TY	DESCRIPTION	REMARKS	NOTE1	NOTE2
3		610280-42230	1	COLLAR		Sus. by 610281-42230	
3		610281-42230	1	COLLAR			
4	+	900253-04025	2	SCREW 4*25	4*25		
8		351201-06930	1	HANDLE ASSY, LOOP			
9	+	900242-05035	4	SCREW 5*35	5*35		
10	+	900500-00005	4	NUT 5	5		
11		301207-07530	1	HOOK			
12		699012-03330	1	SPACER			
13		900100-05018	1	BOLT 5*18	5*18		
22		351102-42230	1	GRIP ASSY, F-HANDLE			
23	+	900238-05025	1	SCREW 5*25	5*25		
24	+	900253-04018	3	SCREW TAPPING 4*18	4*18		
25	+	900500-00005	1	NUT 5	5		
26	+	301200-42230	1	HOOK ASSY			
27	++	900238-05012	1	SCREW 5*12	5*12		
28		163401-50430	1	SWITCH, IGNITION			
29		178010-42232	1	CONTROL, THROTTLE			
30		178043-42230	1	SPRING, THR. RETURN			
31		178012-42230	1	LOCKOUT, THROTTLE			
32		178013-42230	1	SPRING, THR. LOCKOUT			
33		301000-55230	1	HARNESS ASSY		Sus. by 301000-55231	
33		301000-55231	1	HARNESS ASY, SHOULDER			
34	+	301305-24330	1	LINK			
35		890157-39130	1	LABEL, SWITCH		Diuse	

10. Loop Handle

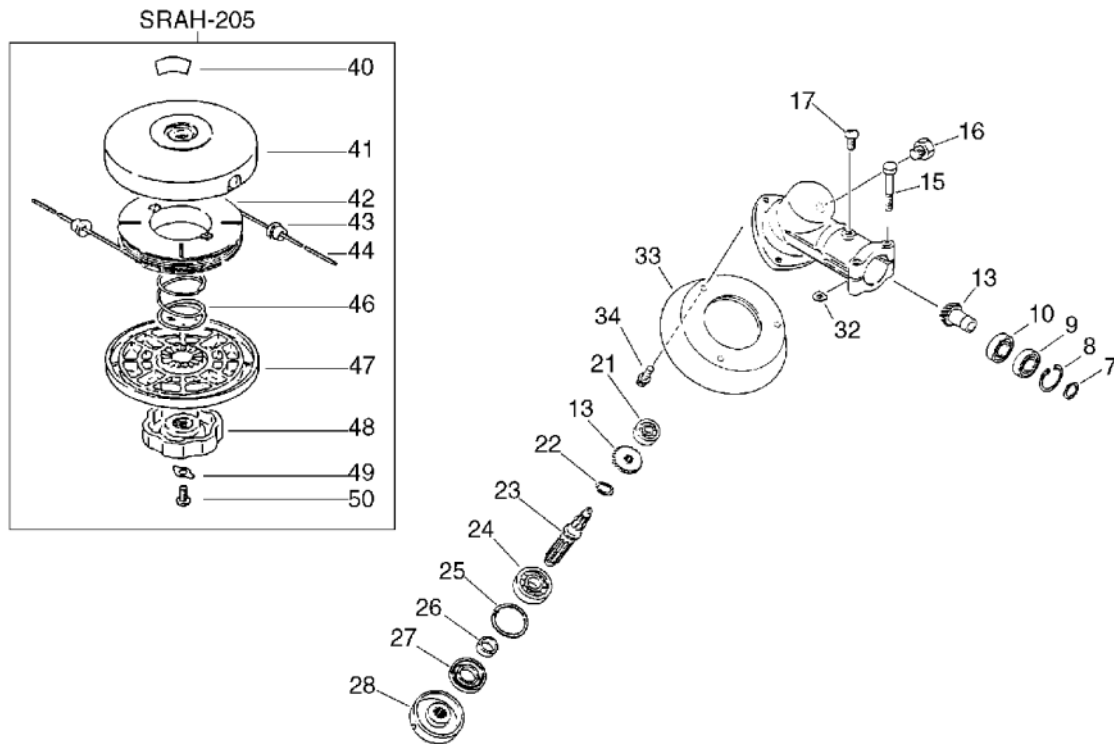
No.10



KEY	LV	PART NUMBER	Q'TY	DESCRIPTION	REMARKS	NOTE1	NOTE2
38		890177-46730	1	LABEL, CAUTION		Sus. by 890617-43130	
38		890617-63630	1	LABEL, CAUTION		Sus. by 890617-43130	
38		X505-000140	1	LABEL, CAUTION		Sus. by 890617-43130	
38		890617-43130	1	LABEL, CAUTION			
39		178001-40430	1	WIRE, THROTTLE			
40		178127-24030	1	TUBE	10*11*160		
42		900502-00006	2	NUT 6 (3N)	3N6		

11. Gear Case(Loop Handle Type), Nylon Line Cutting Head

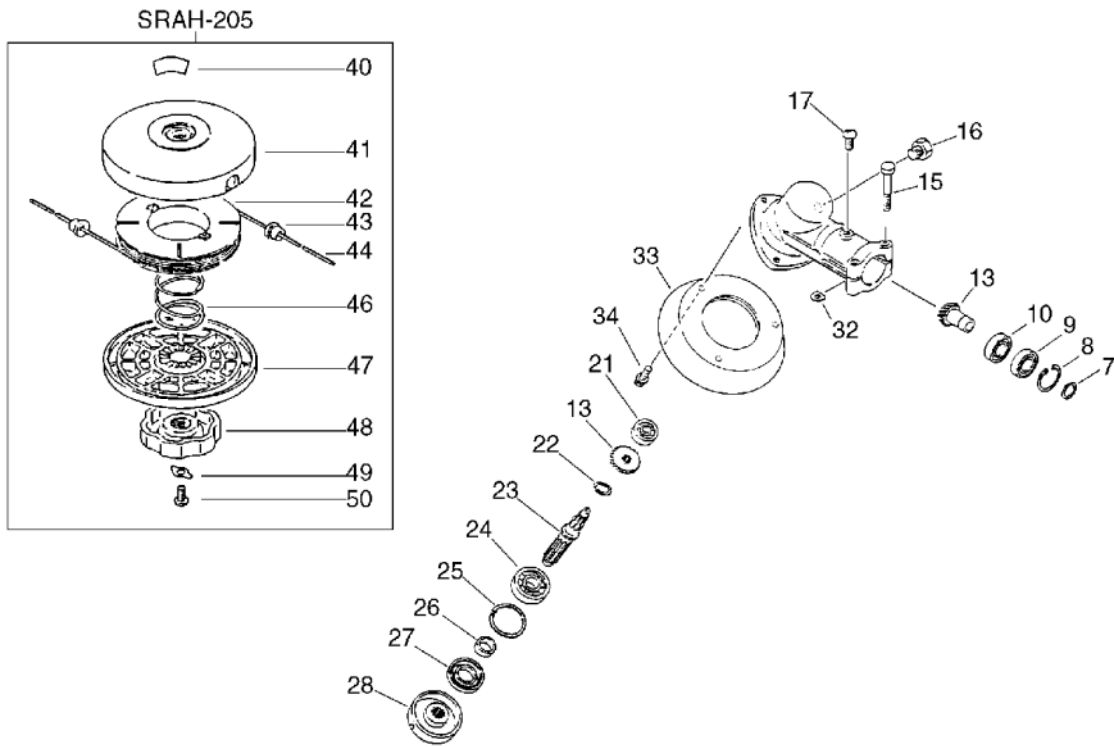
No.11



KEY	LV	PART NUMBER	Q'TY	DESCRIPTION	REMARKS	NOTE1	NOTE2
7		900701-00012	1	CIRCLIP 12	CS-12		
8		900702-00028	1	CIRCLIP 28	CR-28		
9		900807-06001	1	BEARING, BALL 6001	6001V(LB)		
10		900800-06001	1	BEARING, BALL 6001	6001		
13		610300-40430	1	GEAR SET			
15		900142-05030	2	BOLT 5*30 (W/W.SW)	5*30		
16		610434-50030	1	BOLT 8* 6		Sus. by 610434-50031	
16		610434-50031	1	BOLT 8* 8	M8*8		
17		900242-05010	1	SCREW 5*10	5*10		
21		900800-36000	1	BEARING, BALL 6000	6000/C3		
22		900706-00012	1	CIRCLIP 12	WR-12		
23		610310-07130	1	SHAFT, P.T.O.			
24		900810-06201	1	BEARING, BALL 6201	6201		
25		900702-00032	1	CIRCLIP 32	CR-32		
26		610315-07130	1	SPACER			
27		610413-07130	1	OILSEAL			
28		610313-47731	1	PLATE, ADAPTER (U)			
32		610239-04130	2	WASHER, SHIM			
33		610443-21232	1	PLATE, GUARD		Sus. by C536-000030	
33		C536-000030	1	COVER,GEAR CASE			
34		900242-05020	3	SCREW 5*20	5*20		
40		890617-46730	1	LABEL, CAUTION			
41		696205-06033	1	DRUM, CORD REEL			
42		696214-06830	1	REEL, CORD			

11. Gear Case(Loop Handle Type), Nylon Line Cutting Head

No.11



KEY	LV	PART NUMBER	Q'TY	DESCRIPTION	REMARKS	NOTE1	NOTE2
43		696212-06032	2	EYELET			
44		696215-22830	2	CORD, NYLON(2.4*2.5)			
46		696216-06030	1	SPRING			
47		696206-06032	1	COVER, DRUM (JY)			
48		696219-06031	1	NUT (JY)		Sus. by V299-000260	
48		V299-000260	1	KNOB,FASTENER	M16X2		
49		696220-06030	1	STOPPER, NUT			
50		900220-06010	1	SCREW 6*10	6*10		

Index

Patrs Number	Key No.	Patrs Number	Key No.	Patrs Number	Key No.
100000-53630	1 - 14	130010-46431	4 - 5	156601-46430	3 - 13
100000-53631	1 - 14	130016-22331	4 - 8	156801-52930	3 - 12
100011-46430	1 - 13	130110-54430	5 - 7	159010-10230	3 - 17
100012-16131	1 - 23	130111-00530	5 - 6	159012-10230	3 - 15
100013-27430	1 - 15	130302-46430	4 - 19	159016-05330	3 - 16
100014-53630	1 - 17	130307-46431	4 - 15	159905-46430	1 - 6
100015-03930	1 - 16	130307-46432	4 - 15	159906-46430	1 - 7
100015-03931	1 - 16	130310-46430	4 - 17	162010-50330	4 - 39
100105-50430	1 - 22	130311-46430	4 - 18	162014-50330	4 - 36
100127-50430	1 - 41	130406-16331	4 - 21	162021-27230	4 - 39
100142-12330	1 - 24	131004-54930	5 - 12	162110-27230	8 - 15
100204-50430	1 - 19	131005-50431	5 - 36	163400-50330	8 - 12
100212-03930	1 - 28	131005-50432	5 - 36	163401-50430	10 - 28
100213-05530	1 - 18	131016-40930	5 - 13	175005-49930	7 - 29
100215-02830	1 - 20	131016-55830	5 - 13	175009-49930	3 - 7
100242-46430	1 - 25	131045-50430	1 - 36	175018-49930	3 - 6
101010-46431	1 - 12	131051-19830	5 - 21	175018-49931	3 - 6
101011-46431	1 - 10	131051-52430	5 - 14	175018-49932	3 - 6
101506-46430	1 - 8	131205-19830	5 - 11	175046-46430	3 - 5
101506-46431	1 - 8	131300-49930	5 - 4	175048-05530	3 - 8
101511-46431	1 - 29	131300-56430	5 - 4	177200-46430	2 - 11
101535-46431	1 - 29	131314-06320	5 - 27	177200-46431	2 - 11
124113-05530	6 - 1	131328-40630	5 - 5	177202-41030	2 - 5
124114-50330	6 - 2	131600-50430	5 - 12	177214-41030	2 - 13
124115-05530	6 - 3	131910-50430	1 - 35	177215-43130	2 - 14
124116-05530	6 - 4	131917-50430	5 - 29	177218-40630	2 - 8
124159-05530	6 - 13	131920-50430	5 - 16	177220-40630	2 - 15
124200-50330	4 - 12	131923-11120	5 - 15	177226-01110	2 - 17
124200-50330	6 -	131924-50430	5 - 37	177227-42030	2 - 18
124309-11320	6 - 24	131931-45430	5 - 31	177228-11120	2 - 19
124317-49930	6 - 5	132002-50430	5 - 8	177228-27030	2 - 19
124318-49930	6 - 6	132010-14530	5 - 3	177234-40630	2 - 7
124320-52830	6 - 17	132010-50430	5 - 23	177236-40630	2 - 12
124321-21330	6 - 18	132012-50430	5 - 24	178001-27230	8 - 14
124331-49930	6 - 20	132013-26630	5 - 9	178001-40430	10 - 39
124332-21330	6 - 21	132013-50430	5 - 34	178001-50330	4 - 35
124333-05630	6 - 12	132014-50430	4 - 9	178010-05960	8 - 11
124341-49930	6 - 23	132014-50430	5 - 22	178010-42232	10 - 29
124354-12710	6 - 16	132021-49830	5 - 9	178012-05960	8 - 9
124354-46430	6 - 16	132115-50430	5 - 25	178012-42230	10 - 31
124355-21330	6 - 14	132115-55930	5 - 8	178013-35631	8 - 10
124355-50130	6 - 11	132716-34330	4 - 10	178013-42230	10 - 32
124356-21330	6 - 15	132716-50430	5 - 7	178021-05530	4 - 33
124358-49930	6 - 22	132717-50430	5 - 10	178043-42230	10 - 30
124363-21330	6 - 10	145610-46430	4 - 26	178049-06630	4 - 31
124364-05510	6 - 9	145618-46431	4 - 27	178114-05630	4 - 32
124365-05510	6 - 8	145619-46430	4 - 28	178121-43230	8 - 20
130007-50430	4 - 6	145910-46431	4 - 22	178127-24030	10 - 40
130007-50431	4 - 6	152112-46430	3 - 14	178127-50330	4 - 37

Index

Patrs Number	Key No.	Patrs Number	Key No.	Patrs Number	Key No.
178128-22130	4 - 34	610400-40431	9 - 6	895123-03830	7 - 76
301000-55230	10 - 33	610413-07130	11 - 27	895410-08030	7 - 74
301000-55231	10 - 33	610413-07130	9 - 27	895610-00130	7 - 77
301001-52130	8 - 50	610434-50030	11 - 16	897518-01131	7 - 73
301200-06230	8 - 21	610434-50030	9 - 16	898502-01130	7 - 72
301200-42230	10 - 26	610434-50031	11 - 16	898503-50030	9 - 52
301207-05630	8 - 22	610434-50031	9 - 16	898562-43230	9 - 53
301207-07530	10 - 11	610443-21232	11 - 33	900100-05018	10 - 13
301300-24830	8 - 50	610443-21232	9 - 33	900105-05016	4 - 24
301300-24831	8 - 50	610601-40530	8 - 43	900141-05012	9 - 47
301305-24330	10 - 34	610910-40430	7 - 23	900142-05025	7 - 49
305110-46430	1 - 31	610922-40430	7 - 21	900142-05030	11 - 15
351102-42230	10 - 22	610923-40430	7 - 22	900142-05030	9 - 15
351102-47530	8 - 5	696001-01130	9 - 50	900162-04012	1 - 42
351110-52430	8 - 28	696001-55630	9 - 50	900162-04025	1 - 34
351201-06930	10 - 8	696001-55631	9 - 50	900162-04025	2 - 20
351202-51430	8 - 16	696205-06033	11 - 41	900162-05012	1 - 32
351210-52430	8 - 18	696206-06032	11 - 47	900162-05012	5 - 28
351301-45430	8 - 30	696212-06032	11 - 43	900162-05014	1 - 9
351311-22430	8 - 27	696214-06830	11 - 42	900162-05014	4 - 25
351335-40530	8 - 42	696215-22830	11 - 44	900162-05014	5 - 18
436001-54830	5 - 19	696216-06030	11 - 46	900162-05016	7 - 24
436010-50430	5 - 35	696219-06031	11 - 48	900162-05020	1 - 11
436012-37830	5 - 20	696220-06030	11 - 49	900162-05020	1 - 30
436205-50430	5 - 26	699001-50430	7 - 40	900162-05020	4 - 7
437002-50430	1 - 38	699010-54430	7 - 42	900162-05020	8 - 17
437002-50431	1 - 38	699011-43130	7 - 41	900162-05025	1 - 5
437063-50430	1 - 39	699012-03330	10 - 12	900162-05025	7 - 20
610011-06230	7 - 5	699013-52130	7 - 43	900162-05025	8 - 39
610205-46430	7 - 25	699015-52130	7 - 48	900162-05025	8 - 39
610206-52930	7 - 13	699016-52130	7 - 50	900162-05030	8 - 41
610239-04130	11 - 32	699016-54530	7 - 50	900204-03008	6 - 19
610239-04130	9 - 32	699200-07131	9 - 40	900212-03008	6 - 19
610280-42230	10 - 3	699226-05430	9 - 42	900220-05030	5 - 30
610281-42230	10 - 3	699227-04630	9 - 44	900220-05030	8 - 7
610300-40430	11 - 13	699228-08930	9 - 45	900220-06010	11 - 50
610300-40430	9 - 13	890112-50430	1 - 40	900238-05012	10 - 27
610310-07130	11 - 23	890118-49330	2 - 21	900238-05025	10 - 23
610310-07130	9 - 23	890121-50430	4 - 40	900240-04016	1 - 37
610313-07130	9 - 28	890147-50430	5 - 33	900241-03010	6 - 7
610313-07131	9 - 28	890157-39130	10 - 35	900241-03020	6 - 25
610313-07132	9 - 28	890157-39130	8 - 4	900242-04014	4 - 29
610313-47731	11 - 28	890177-46730	10 - 38	900242-04018	4 - 16
610314-07130	9 - 29	890617-43130	10 - 38	900242-04020	4 - 16
610315-07130	11 - 26	890617-43130	8 - 3	900242-05010	11 - 17
610315-07130	9 - 26	890617-46730	11 - 40	900242-05010	4 - 38
610333-07130	9 - 41	890617-46830	8 - 3	900242-05010	9 - 17
610336-07131	9 - 48	890617-63630	10 - 38	900242-05012	7 - 51
610400-40430	9 - 6	895112-00330	7 - 75	900242-05014	7 - 47

Index

Patrs Number	Key No.	Patrs Number	Key No.	Patrs Number	Key No.
900242-05014	8 - 23	900810-06201	9 - 24		
900242-05018	7 - 44	900810-36201	1 - 21		
900242-05020	11 - 34	900814-06202	9 - 43		
900242-05020	3 - 18	94035-36201	1 - 21		
900242-05020	9 - 34	A553-000000	3 - 7		
900242-05030	1 - 26	C536-000030	11 - 33		
900242-05035	10 - 9	C536-000030	9 - 33		
900242-05035	4 - 14	P021-007470	9 - 52		
900246-03025	8 - 6	V299-000260	11 - 48		
900253-04018	10 - 24	X505-000140	10 - 38		
900253-04025	10 - 4	X602-000020	7 - 74		
900300-20022	9 - 31				
900500-00005	10 - 10				
900500-00005	10 - 25				
900500-00005	5 - 32				
900500-00005	7 - 46				
900500-00005	8 - 8				
900500-00005	8 - 8				
900502-00006	10 - 42				
900502-00006	8 - 13				
900502-00008	2 - 10				
900502-00008	3 - 9				
900511-00010	9 - 30				
900600-00008	3 - 11				
900603-00005	5 - 17				
900603-00005	7 - 45				
900603-00006	8 - 19				
900605-00008	3 - 10				
900700-00004	2 - 6				
900701-00012	11 - 7				
900701-00012	7 - 26				
900701-00012	9 - 7				
900702-00028	11 - 8				
900702-00028	7 - 28				
900702-00028	9 - 8				
900702-00032	1 - 27				
900702-00032	11 - 25				
900702-00032	9 - 25				
900706-00012	11 - 22				
900706-00012	9 - 22				
900720-00003	4 - 20				
900800-06001	11 - 10				
900800-06001	9 - 10				
900800-36000	11 - 21				
900800-36000	9 - 21				
900807-06001	11 - 9				
900807-06001	7 - 27				
900807-06001	9 - 9				
900810-06201	11 - 24				

YAMABIKO CORPORATION

7-2 SUEHIROCHO 1-CHOME, OHME, TOKYO 198-8760, JAPAN
PHONE: 81-428-32-6118. FAX: 81-428-32-6145.



43SL
No.