



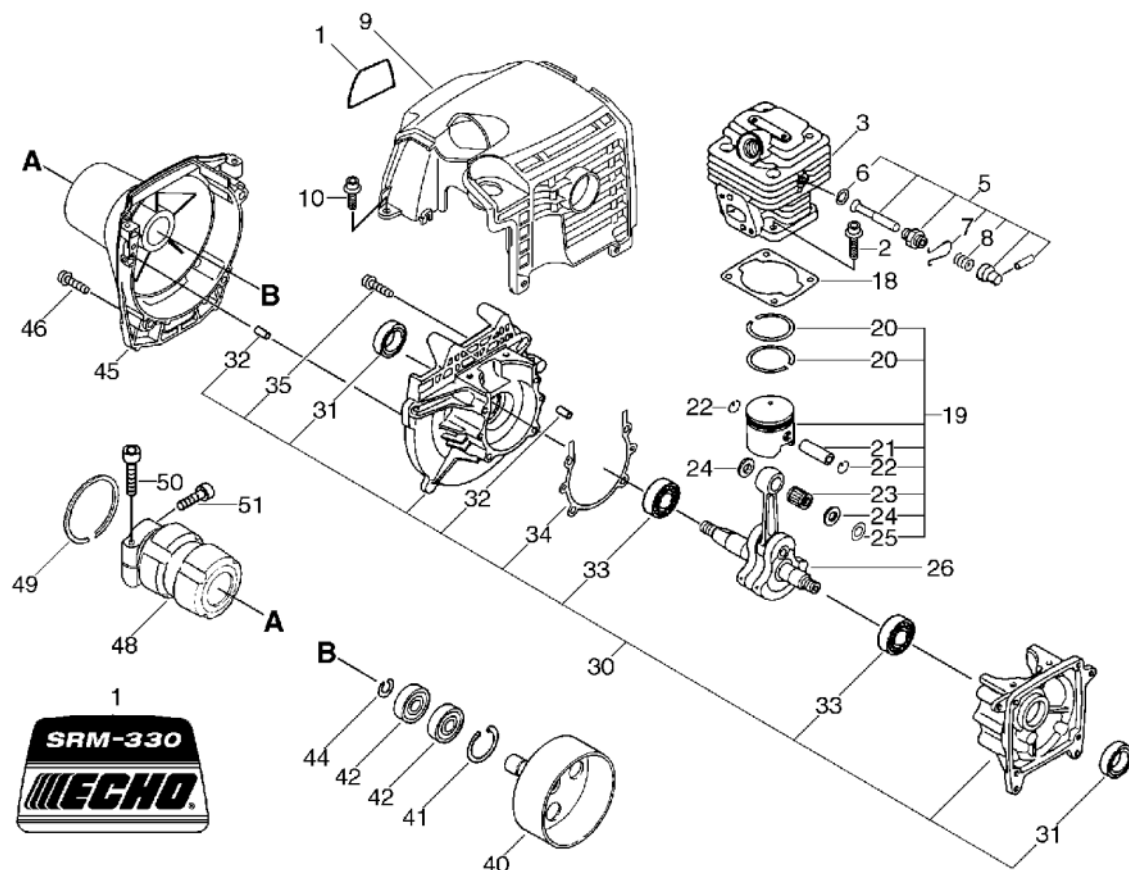
PARTS CATALOGUE

GRASS-TRIMMER / BRUSHCUTTER

SRM-330

1. Cylinder, Crankcase, Piston, Fan Cover

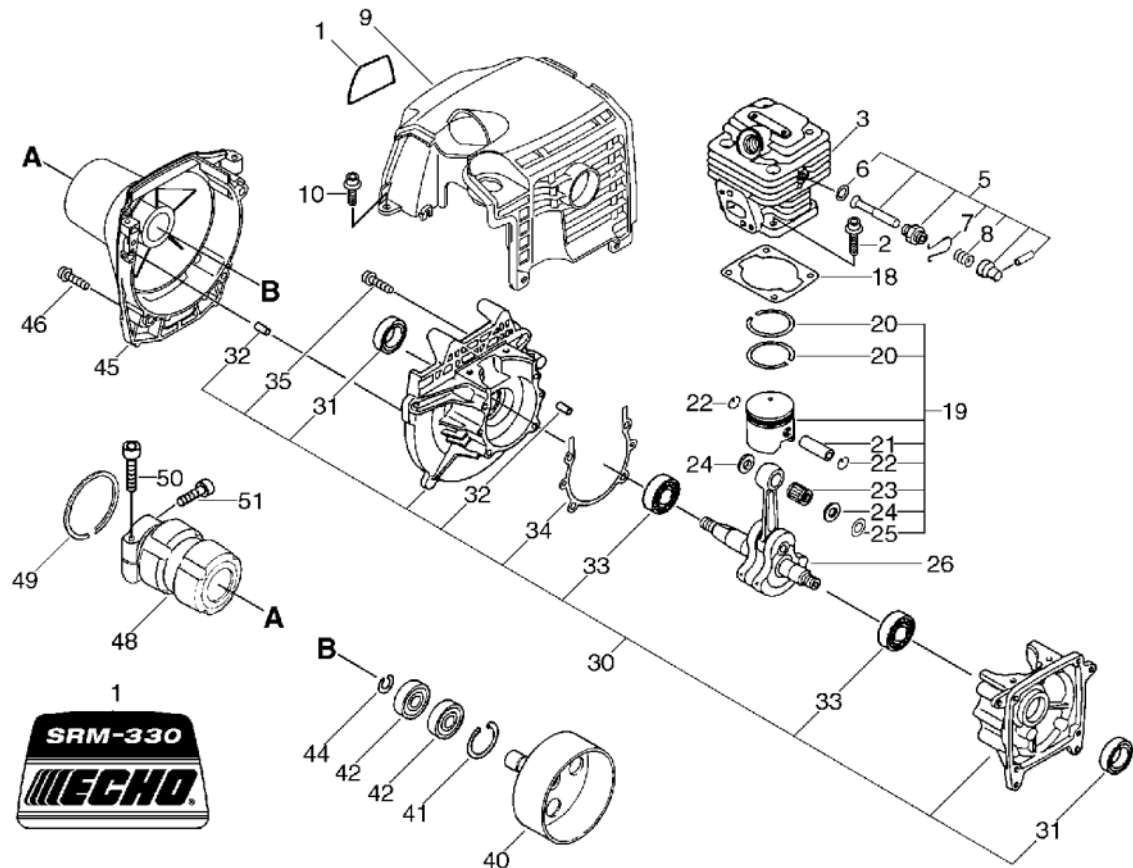
No.1



KEY	LV	PART NUMBER	Q'TY	DESCRIPTION	REMARKS	NOTE1	NOTE2
1		X503-004680	1	LABEL,MODEL	SRM-330		
2		900162-05020	4	BOLT, H.S. 5*20	5*20 W,SW		
3		A130-000320	1	CYLINDER			
5		101100-37530	1	RELEASE ASSY, COMP.			
6	+	159025-37530	1	GASKET			
7	+	101119-37530	1	CLIP			
8	+	101113-37530	1	SPRING			
9		A160-000390	1	COVER,CYLINDER		Sus. by A160-000391	
9		A160-000391	1	COVER,CYLINDER			
10		900106-05012	2	BOLT, H.S. 5*12	5*12		
18		101010-55430	1	GASKET, CYL. BASE			
19		P021-003080	1	PISTON KIT		Sus. by P021-006802	
19		P021-003081	1	PISTON KIT		Sus. by P021-006802	
19		P021-006802	1	PISTON KIT			
20	+	100011-16131	2	RING, PISTON		Sus. by A101-000080	
20	+	A101-000080	2	RING,PISTON			
21	+	100013-27430	1	PIN, PISTON			
22	+	100015-03931	2	CIRCLIP, PISTON PIN			
23	+	100012-16131	1	BEARING, NEEDLE			
24	+	100014-53630	2	SPACER, PISTON PIN			
25	+	V306-000121	1	WASHER,CIRCULAR 8	9.1*16*T1		
26		100100-55430	1	CRANKSHAFT ASSY			

1. Cylinder, Crankcase, Piston, Fan Cover

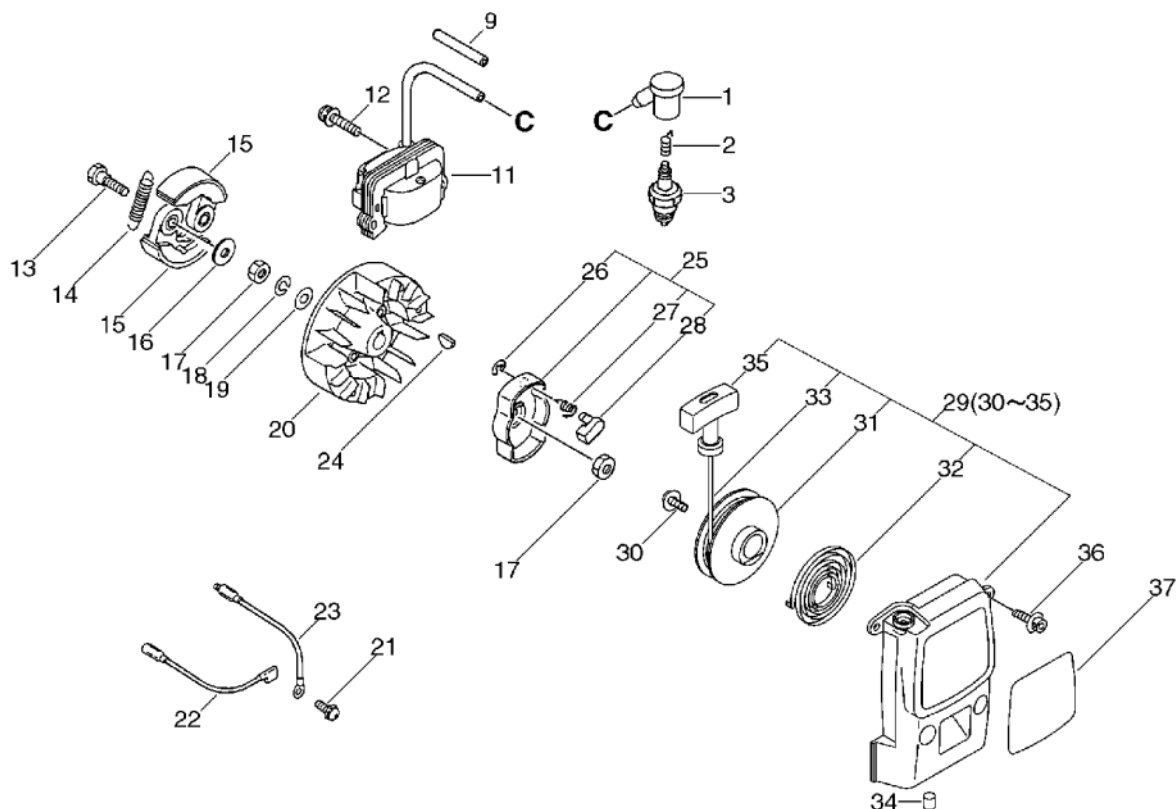
No.1



KEY	LV	PART NUMBER	Q'TY	DESCRIPTION	REMARKS	NOTE1	NOTE2
30		100204-55430	1	CRANKCASE KIT			
31	+	100213-05530	2	OILSEAL	ISCD 12 22 7		
32	+	100215-03930	4	PIN, DOWEL			
33	+	94035-36201	2	BEARING BALL	6201X3JR2C3		
34	+	100242-55430	1	GASKET, CRANKCASE			
35	+	900162-05030	4	BOLT, H.S. 5*30	5*30 W,SW		
40		A556-000270	1	DRUM,CLUTCH			
41		900702-00028	1	CIRCLIP 28	CR-28		
42		900807-06001	2	BEARING, BALL 6001	6001V(LB)		
44		900701-00012	1	CIRCLIP 12	CS-12		
45		A172-000260	1	COVER,FAN			
46		900162-05020	4	BOLT, H.S. 5*20	5*20 W,SW		
48		V420-000970	1	CUSHION			
49		900702-00045	1	RING, RETAINING(IN)	CR-45		
50		900162-05028	1	BOLT, H.S. 5*28	5*28 W,SW		
51		900162-05012	1	BOLT, H.S. 5*12	5*12 W,SW		

2. Starter, Magneto, Clutch

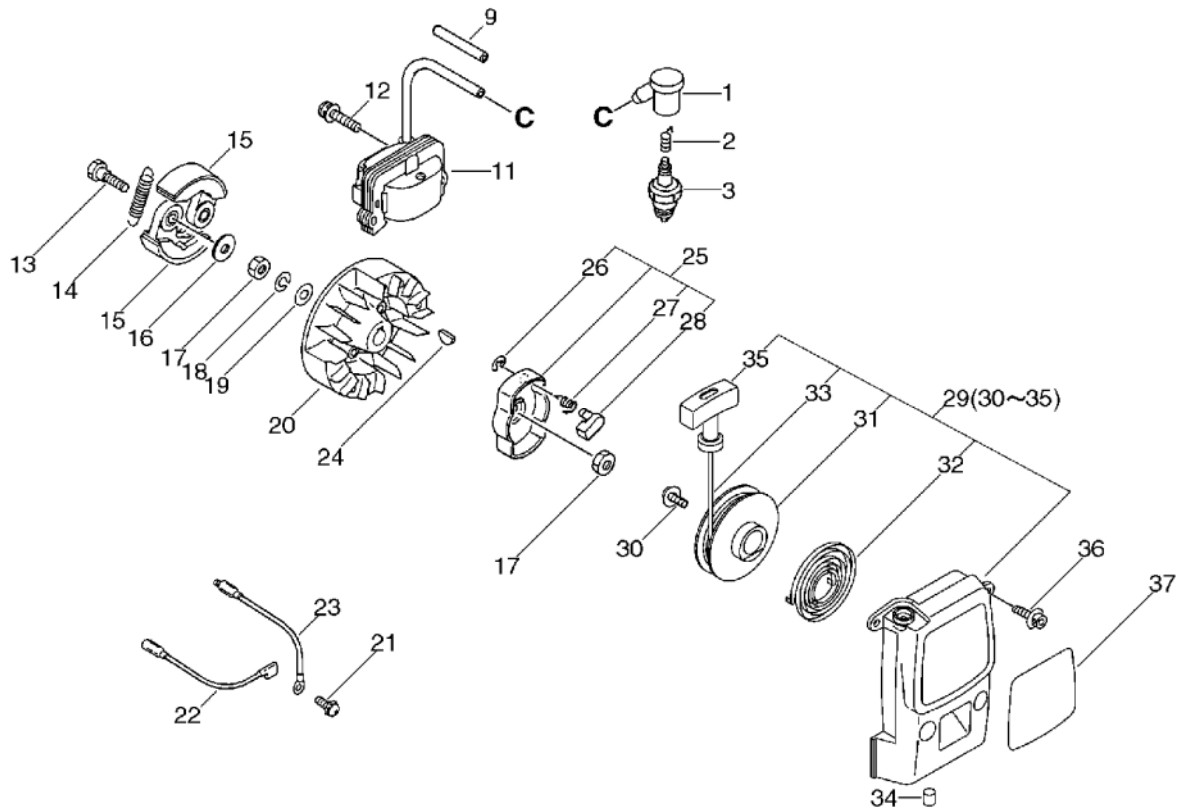
No.2



KEY	LV	PART NUMBER	Q'TY	DESCRIPTION	REMARKS	NOTE1	NOTE2
1		A427-000000	1	CAP, SPARK PLUG			
2		A426-000000	1	TERMINAL, SPARK PLUG			
3		159010-10230	1	PLUG, SPARK (BPMR-7A)	BPMR-7A		
9		437412-16430	1	TUBE, PROTECTOR			
11		152626-55730	1	COIL, IGNITION			
12		900162-05020	2	BOLT, H.S. 5*20	5*20 W.SW		
13		175046-46430	2	BOLT, CLUTCH			
14		175018-49931	1	SPRING, CLUTCH		Sus. by 175018-49932	
14		175018-49932	1	SPRING, CLUTCH			
15		A553-000000	2	ARM, CLUTCH			
16		175048-05530	2	WASHER (I)	6.2*19*1.0		
17		900502-00008	2	NUT 8 (3N)	3N8		
18		900605-00008	1	WASHER, SPRING 8	8		
19		900600-00008	1	WASHER 8	8		
20		152801-55430	1	ROTOR, MAGNET			
21		900238-05010	1	SCREW 5*10	5*10		
22		V485-000230	1	LEAD			
23		V485-000240	1	LEAD			
24		100142-12330	1	KEY, WOODRUFF			
25		177202-41030	1	PAWL ASSY, STARTER			
26	+	900700-00004	1	E-RING 4	CE-4		
27	+	177234-40630	1	SPRING, RETURN			
28	+	177218-40630	1	PAWL, STARTER	WHITE		
29		A051-000280	1	STARTER, RECOIL			
30	+	177236-44330	1	SCREW			

2. Starter, Magneto, Clutch

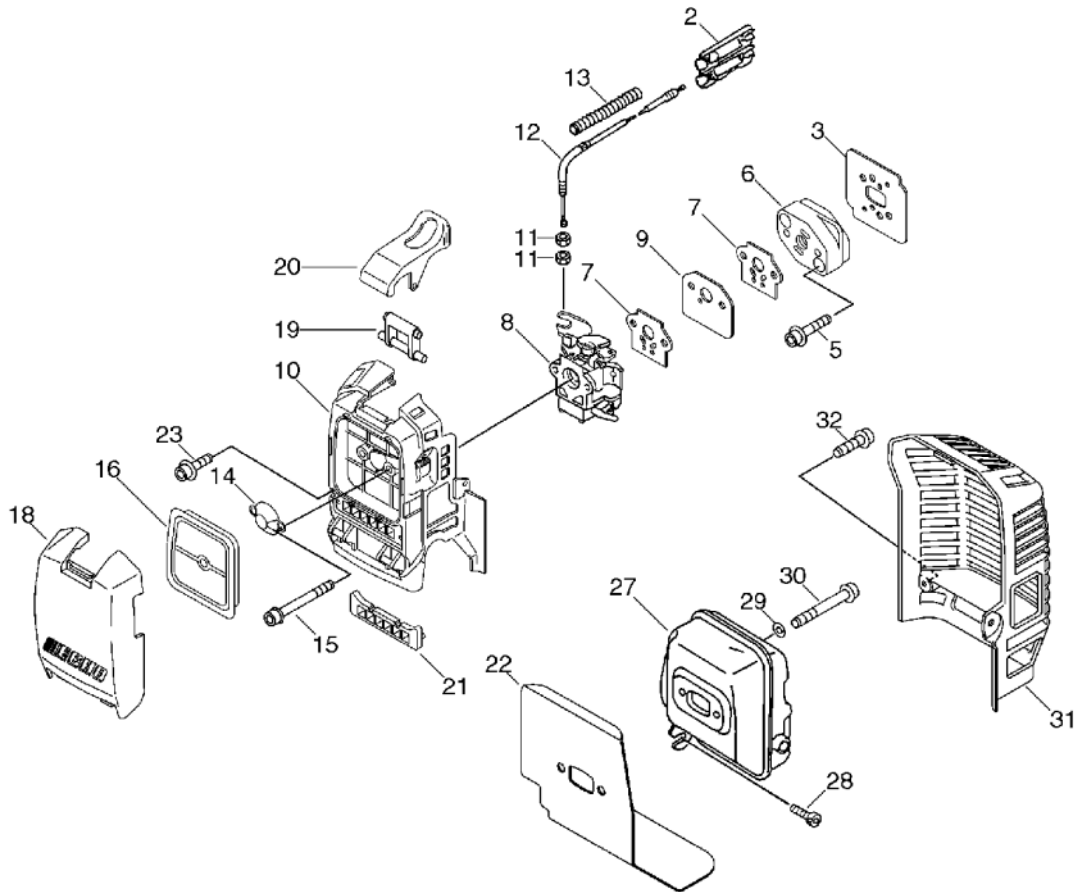
No.2



KEY	LV	PART NUMBER	Q'TY	DESCRIPTION	REMARKS	NOTE1	NOTE2
31	+	177215-43130	1	DRUM, STARTER			
32	+	177220-40630	1	SPRING, REWIND			
33	+	P022-005090	1	ROPE, STARTER			
34	+	V354-000110	1	COLLAR,6	6.2*7.8*8		
35	+	177228-27030	1	GRIP, STARTER			
36		900106-05016	4	BOLT, H.S. 5*16	5*16		
37		X502-000070	1	LABEL,ECHO			

3. Air Cleaner, Muffler

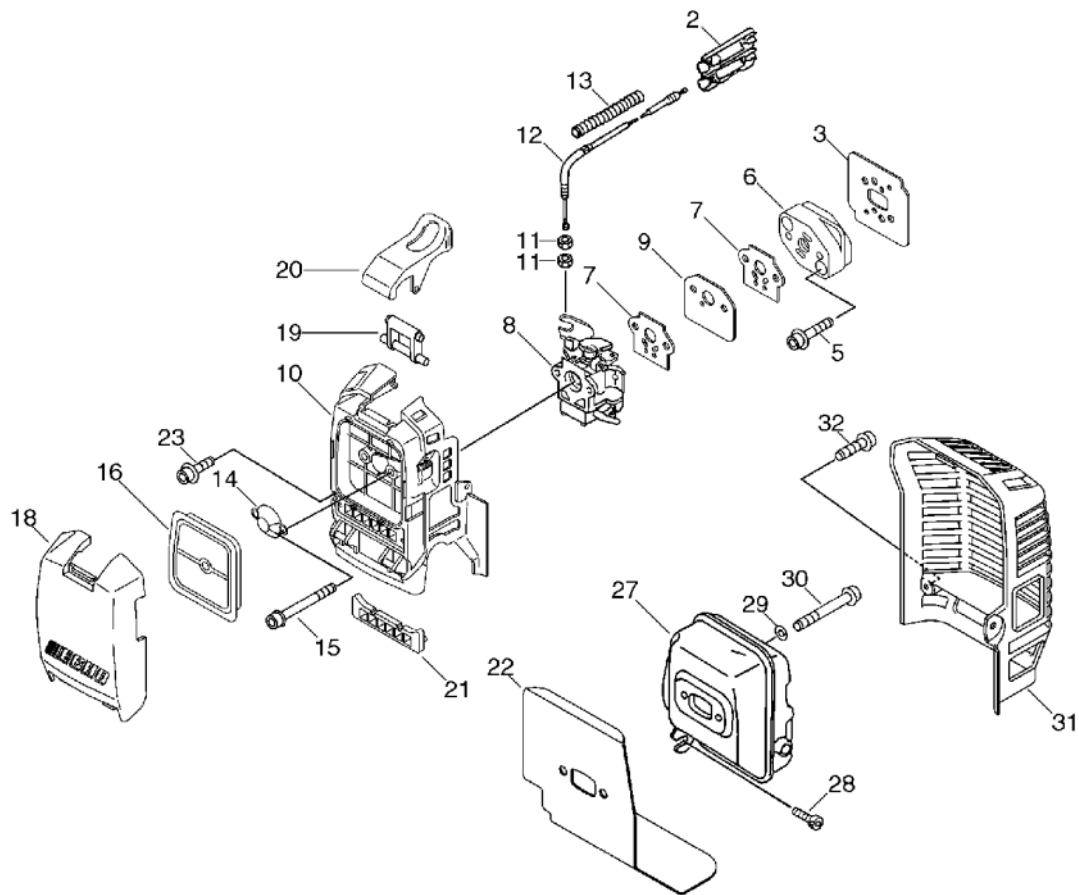
No.3



KEY	LV	PART NUMBER	Q'TY	DESCRIPTION	REMARKS	NOTE1	NOTE2
2		178081-55931	1	CONNECTOR,CABLE			
3		V103-000150	1	GASKET,INTAKE			
5		900162-05025	2	BOLT, H.S. 5*25	5*25 W,SW		
6		A200-000090	1	INSULATOR,INTAKE			
7		V103-000160	2	GASKET,INTAKE			
8		A021-000420	1	CARBURETOR,DIAPHRAGM		Sus. by A021-000421	
8		A021-000421	1	CARBURETOR,DIAPHRAGM	WYJ-312A		
9		A200-000100	1	INSULATOR,INTAKE			
10		P021-004280	1	CASE,AIR CLEANER			
11		900502-00006	2	NUT 6 (3N)	3N6		
12		V430-000540	1	CABLE,BOWDEN			
13		V475-002210	1	TUBE			
14		A244-000010	1	PLATE,PREVENT			
15		900105-05060	2	BOLT, H.S. 5*60	5*60		
16		A226-000140	1	ELEMENT,AIR FILTER			
18		A232-000150	1	LID,CLEANER		Sus. by A232-000151	
18		A232-000151	1	LID,CLEANER			
19		J485-000030	1	HINGE			
20		A235-000100	1	KNOB,CLEANER LID			
21		V420-000640	1	CUSHION			
22		V104-000330	1	GASKET,EXHAUST			
23		900106-05012	1	BOLT, H.S. 5*12	5*12		
27		145610-55230	1	MUFFLER			
28		900162-05012	1	BOLT, H.S. 5*12	5*12 W,SW		

3. Air Cleaner, Muffler

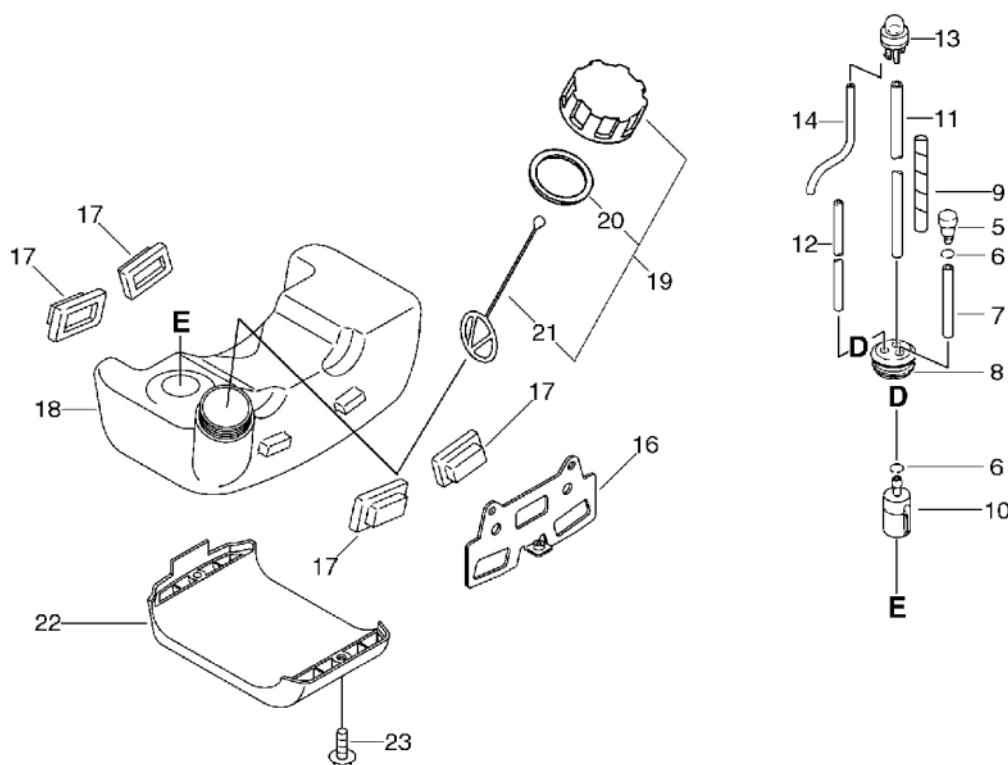
No.3



KEY	LV	PART NUMBER	Q'TY	DESCRIPTION	REMARKS	NOTE1	NOTE2
29		900600-00005	2	WASHER 5	5		
30		900105-05060	2	BOLT, H.S. 5*60	5*60		
31		A320-000130	1	COVER,MUFFLER			
32		900106-05012	1	BOLT, H.S. 5*12	5*12		

4. Fuel Tank

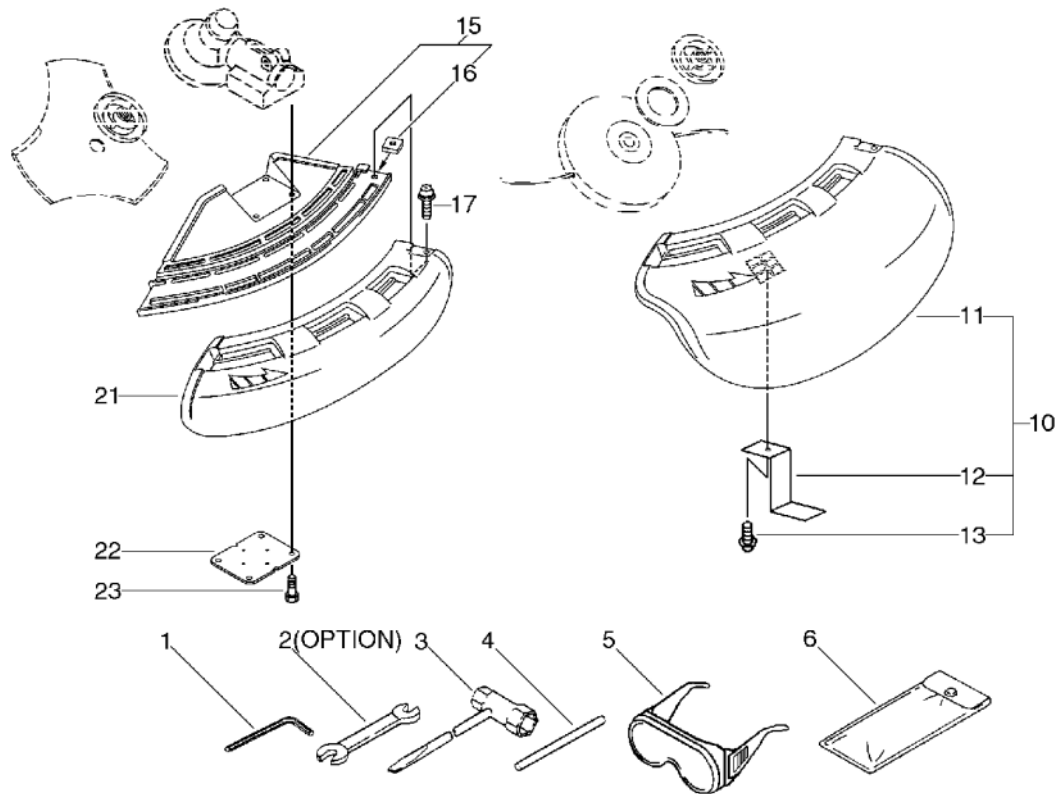
No.4



KEY	LV	PART NUMBER	Q'TY	DESCRIPTION	REMARKS	NOTE1	NOTE2
5		131300-56430	1	VALVE, CHECK			
6		132013-26630	2	CLIP	6.5MM		
7		132010-21160	1	PIPE, FUEL	3*6*35	Sus. by V471-001180	
7		V471-001180	1	PIPE	3*6*35 NBR		
8		132115-55930	1	GROMMET, FUEL			
9		V475-002240	1	TUBE			
10		131205-14930	1	STRAINER, FUEL			
11		132010-22130	1	PIPE, FUEL	3*6*150L NBR		
12		132010-53630	1	PIPE	3*6*180 NBR		
13		123181-39130	1	PUMP, PRIMER			
14		V471-000640	1	PIPE	2.38*4.76*105		
16		A393-000060	1	BRACKET, FUEL TANK			
17		131920-55430	4	CUSHION, FUEL TANK			
18		A350-000200	1	TANK, FUEL			
19		P021-004290	1	CAP ASY, FUEL TANK			
20	+	131016-55830	1	GASKET, FUEL CAP			
21	+	A365-000020	1	CONNECTOR, CAP			
22		A175-000010	1	STAND		Sus. by A175-000011	
22		A175-000011	1	STAND			
23		900106-05016	2	BOLT, H.S. 5*16	5*16		

5. Shield, Tools

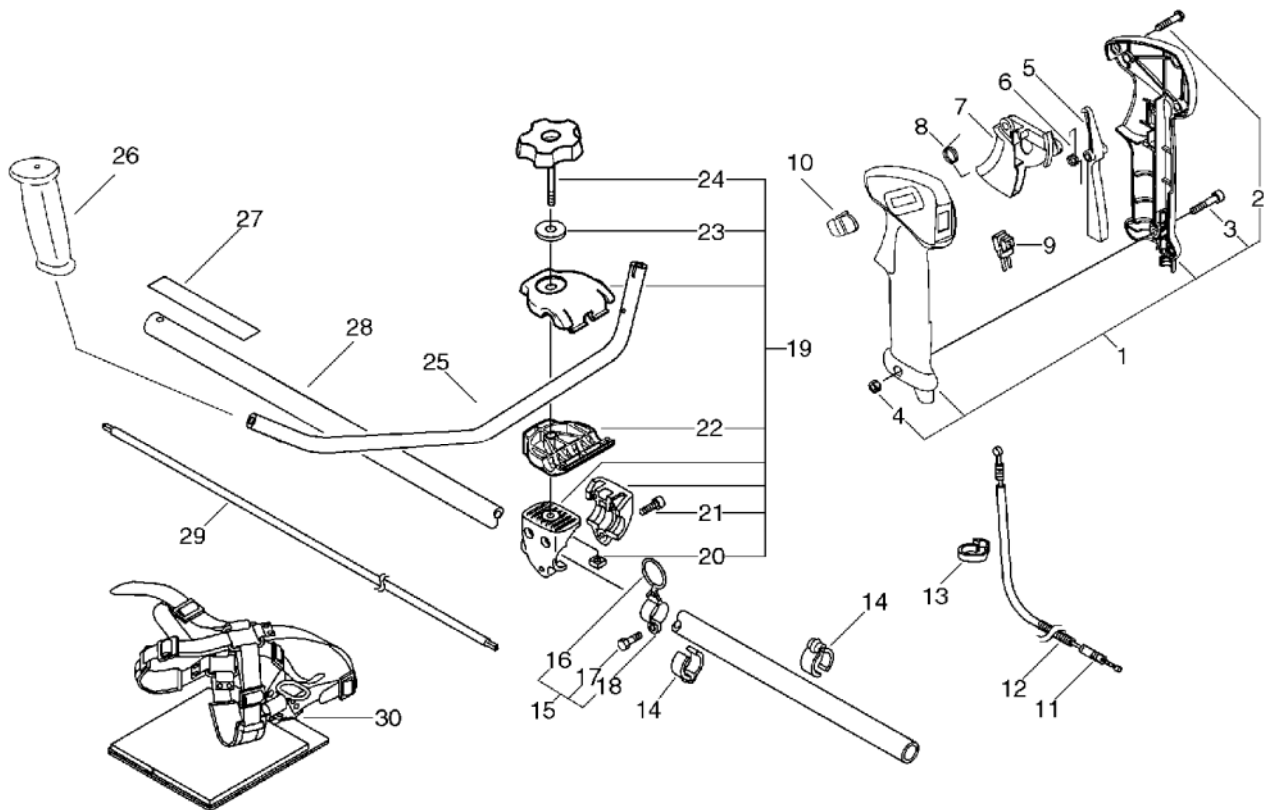
No.5



KEY	LV	PART NUMBER	Q'TY	DESCRIPTION	REMARKS	NOTE1	NOTE2
1		895610-00130	1	L-WRENCH (4MM)			
2		895112-00330	1	SPANNER 8*10		OPTION	
3		X602-000020	1	TOOL,WRENCH	17*19 L200		
4		897518-01131	1	LOCKING TOOL			
5		899580-68730	1	SAFETY GLASSES		Sus. by X690-000030	
5		X690-000030	1	GOGGLE			
6		898510-39130	1	BAG, TOOL			
10		P021-002620	1	SHIELD,BLADE(W/KNIFE			
11	+	C550-000080	1	SHIELD,BLADE			
12	+	C554-000000	1	KNIFE,CORD			
13	+	900252-05012	1	SCREW 5*12	5*12		
15		C550-000100	1	SHIELD,BLADE			
16	+	900565-00005	1	NUT	5		
17		900242-05018	1	SCREW 5*18	5*18		
21		C550-000090	1	SHIELD,BLADE			
22		699013-56830	1	PLATE, SHIELD			
23		900162-05025	4	BOLT, H.S. 5*25	5*25 W,SW		

6. U-Handle

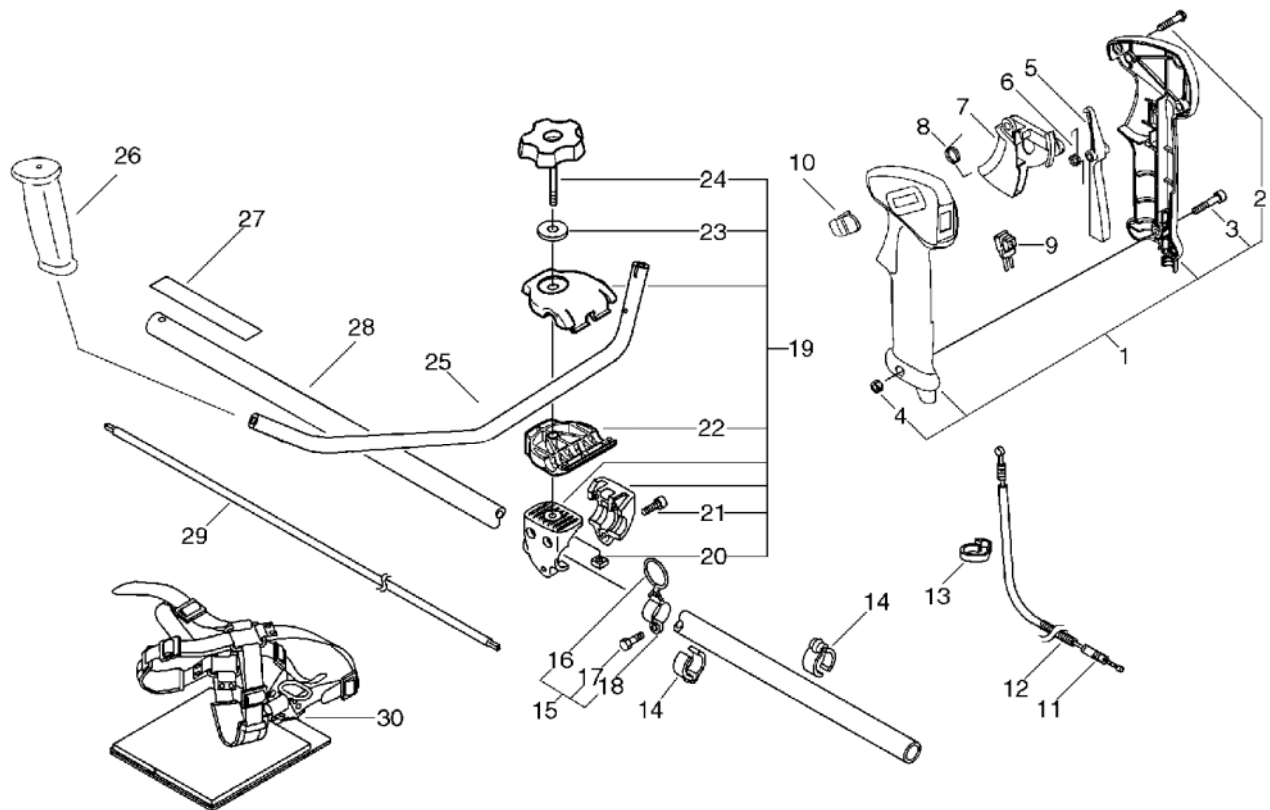
No.6



KEY	LV	PART NUMBER	Q'TY	DESCRIPTION	REMARKS	NOTE1	NOTE2
1		P021-002611	1	GRIP ASY,F-HANDLE		Sus. by P021-002612	
1		P021-002612	1	GRIP ASY,F-HANDLE			
2	+	900253-04016	3	SCREW 4*16	4*16		
3	+	900220-05030	1	SCREW 5*30	5*30		
4	+	900500-00005	1	NUT 5	5		
5		C460-000011	1	LOCKOUT,THROTTLE			
6		V452-000130	1	SPRING,TORSION			
7		C450-000022	1	TRIGGER,THROTTLE			
8		V452-000060	1	SPRING,TORSION			
9		A440-000400	1	SWITCH,ON OFF			
10		C463-000000	1	KNOB,LATCH			
11		V430-000561	1	CABLE,BOWDEN			
12		V475-002220	1	TUBE	7*680		
13		159112-09960	1	CLIP		Sus. By 159112-09961	
13		159112-09961	1	CLIP			
14		224924-52130	2	CLIP	25MM		
15		301200-21330	1	HOOK ASS'Y			
16	+	301015-05330	1	HOOK, BAND			
17	+	900105-05012	1	BOLT, H.S. 5*12	5*12		
18	+	301205-21330	1	HOOK			
19		P021-002751	1	BRACKET ASY. HANDLE			
20	+	900565-50008	1	NUT	8*1.25		
21	+	900162-05030	3	BOLT, H.S. 5*30	5*30 W,SW		
22	+	C423-000041	1	FIXTURE,HANDLE			

6. U-Handle

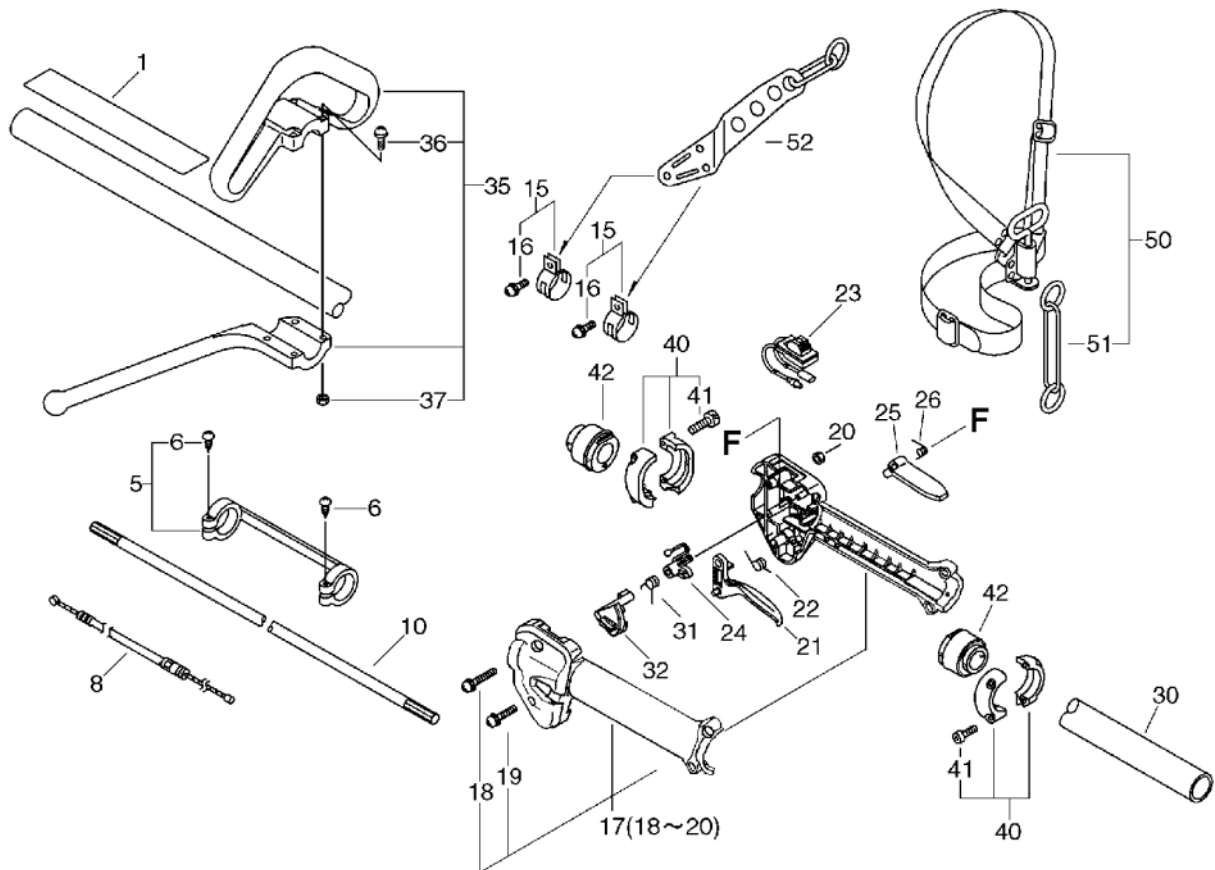
No.6



KEY	LV	PART NUMBER	Q'TY	DESCRIPTION	REMARKS	NOTE1	NOTE2
23	+	605014-54230	1	WASHER			
24	+	V299-000110	1	KNOB,FASTENER			
25		C400-000210	1	HANDLE,FRONT	Uハンドル 19	Sus. by C400-000211	
25		C400-000211	1	HANDLE,FRONT			
26		C403-000030	1	GRIP,HANDLE		Sus. by C403-000031	
26		C403-000031	1	GRIP,HANDLE			
27		890617-43130	1	LABEL,CAUTION			
28		C050-000330	1	PIPE,MAIN			
29		C504-000050	1	SHAFT,DRIVE	7*1540		
30		301001-56831	1	HARNESS ASY,SHOULDER		Sus. by C062-000181	
30		C062-000190	1	HARNESS,SHOULDER	ECHO	Sus. by C062-000181	
30		C062-000181	1	HARNESS,SHOULDER			

7. Loop Handle

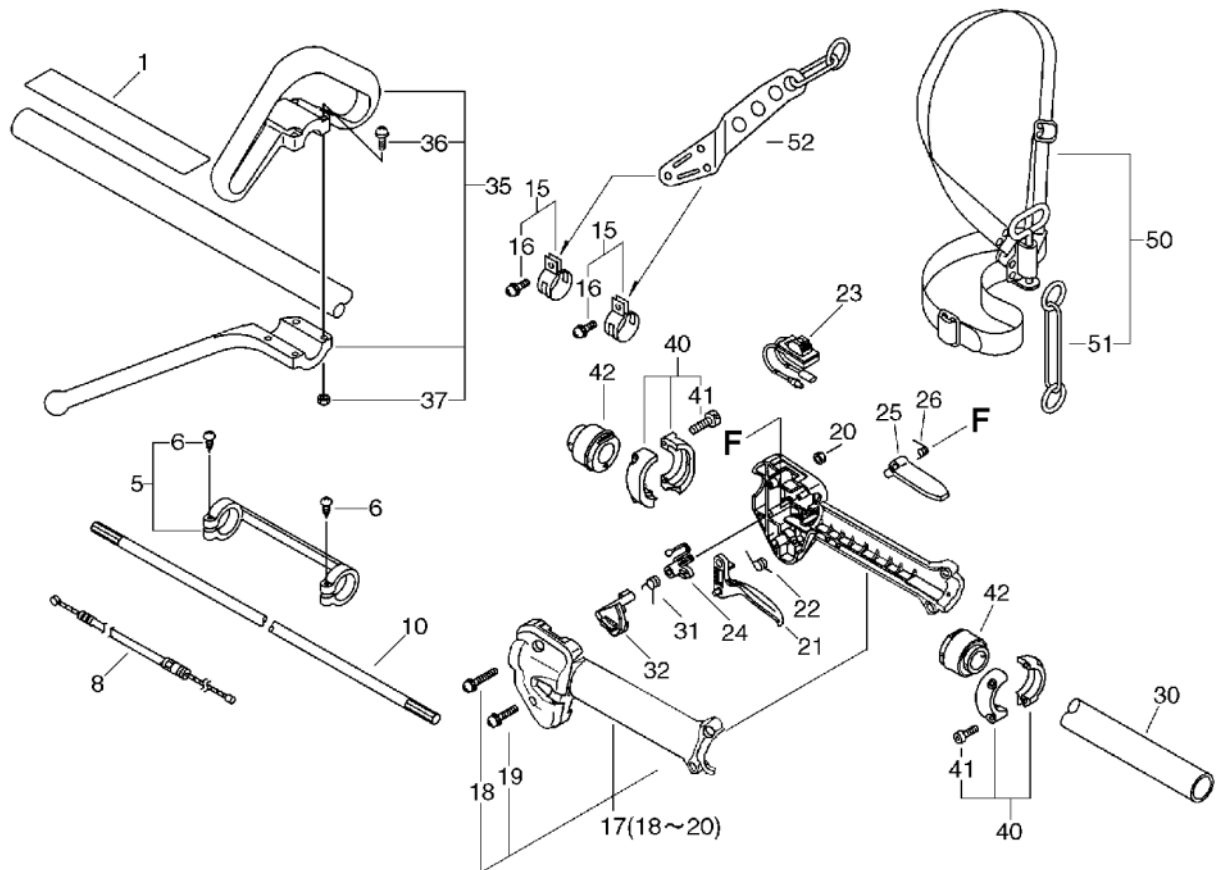
No.7



KEY	LV	PART NUMBER	Q'TY	DESCRIPTION	REMARKS	NOTE1	NOTE2
1		X505-000140	1	LABEL,CAUTION		Sus. by 890617-43130	
1		890617-43130	1	LABEL,CAUTION			
5		610281-54130	1	COLLER			
6	+	900253-04025	2	SCREW 4*25	4*25		
8		V430-000930	1	CABLE,BOWDEN			
10		C504-000050	1	SHAFT,DRIVE	7*1540		
15		P021-006010	2	HOOK ASSY		Sus. by P021-006011	
15		P021-006011	2	HOOK ASY			
16	+	900162-05012	2	BOLT, H.S. 5*12	5*12 W,SW	Sus. by 900162-05016	
16	+	900162-05016	2	BOLT, H.S. 5*16	5*16 W,SW		
17		P021-005960	1	BRACKET SET,THROTTLE			
18	+	900242-05035	1	SCREW 5*35	5*35		
19	+	900242-05025	3	SCREW 5*25	5*25		
20	+	900500-00005	4	NUT 5	5		
21		C450-000110	1	TRIGGER,THROTTLE			
22		178043-42230	1	SPRING, THR. RETURN			
23		A440-000440	1	SWITCH,ON OFF			
24		C461-000000	1	LATCH,THROTTLE			
25		178090-52631	1	LOCKOUT, T. CONTROL		Sus. by 178090-52632	
25		178090-52632	1	LOCKOUT, T. CONTROL			
26		178013-52630	1	SPRING, THR. LOCK			
30		C050-000330	1	PIPE,MAIN			

7. Loop Handle

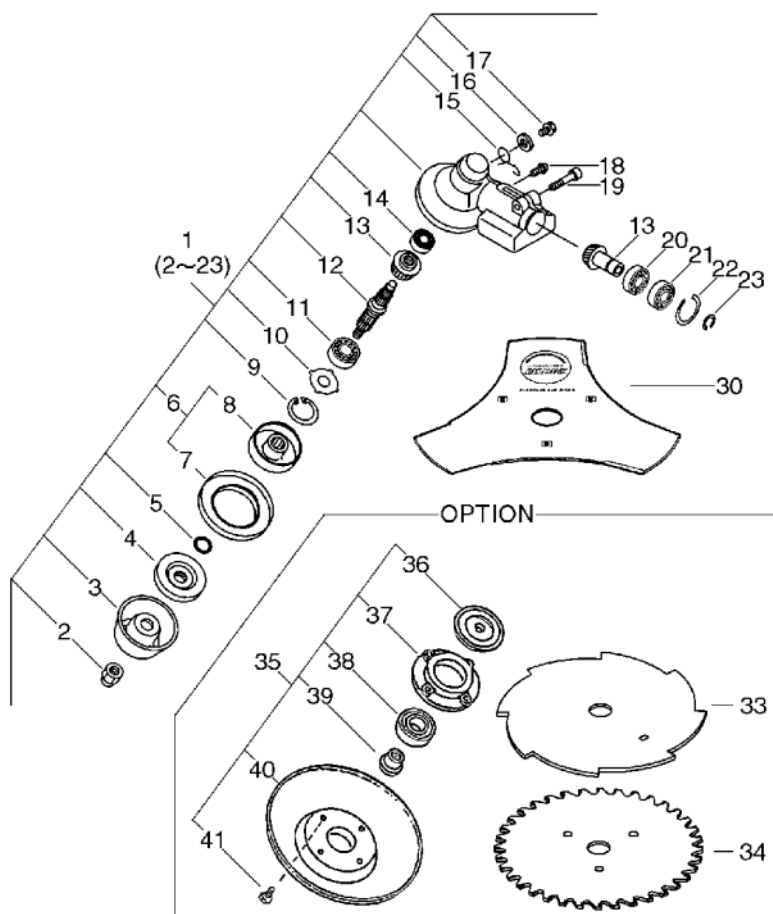
No.7



KEY	LV	PART NUMBER	Q'TY	DESCRIPTION	REMARKS	NOTE1	NOTE2
31		V452-000120	1	SPRING,TORSION			
32		C461-000010	1	LATCH,THROTTLE			
35		P021-005940	1	HANDLE ASY, LOOP			
36	+	900242-05035	4	SCREW 5*35	5*35		
37	+	900500-00005	4	NUT 5	5		
40		P021-005950	2	FIXTURE,ASY HANDLE			
41	+	900162-05025	4	BOLT, H.S. 5*25	5*25 W,SW		
42		V420-000960	2	CUSHION			
50		301000-55230	1	HARNESS ASSY		Sus. by 301000-55231	
50		301000-55231	1	HARNESS ASY,SHOULDER			
51	+	301305-24330	1	LINK			
52		C624-000020	1	HANGER,HARNESS			

8. Gear Case, Blade

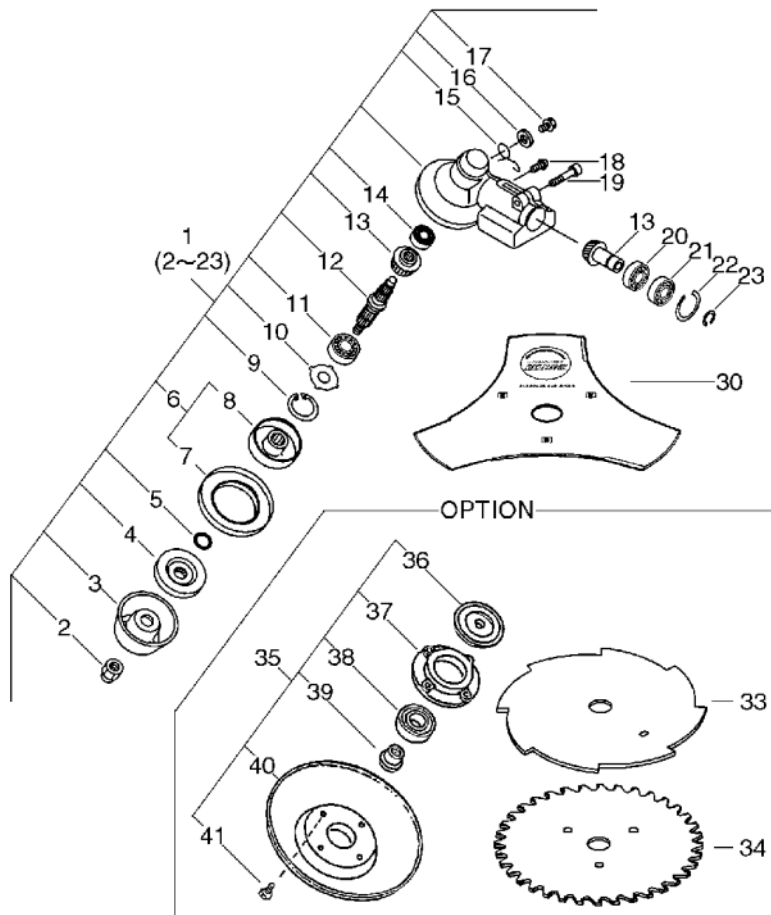
No.8



KEY	LV	PART NUMBER	Q'TY	DESCRIPTION	REMARKS	NOTE1	NOTE2
1		610400-52131	1	CASE ASY, GEAR		Sus. by 610400-52132	
1		610400-52132	1	CASE ASY, GEAR			
2	+	610320-52130	1	NUT 10			
3	+	699229-56830	1	PLATE, COVER			
4	+	610314-52130	1	PLATE, ADAPTER (L)			
5	+	900720-00012	1	O-RING 12	P-12		
6	+	C535-000000	1	FIXTURE, BLADE		Sus. by C535-000001	
6	+	C535-000001	1	FIXTURE, BLADE			
7	++	610352-56830	1	PLATE, CUP			
8	++	C535-000010	1	FIXTURE, BLADE		Sus. by C535-000011	
8	++	C535-000011	1	FIXTURE, BLADE			
9	+	900702-00032	1	CIRCLIP 32	CR-32		
10	+	610444-56830	1	WASHER			
11	+	900812-06201	1	BEARING, BALL 6201	6201DDU(LLU)		
12	+	610310-56830	1	SHAFT, P.T.O.			
13	+	610300-25531	1	GEAR SET	7S		
14	+	900810-00626	1	BEARING, BALL 626	626		
15	+	610473-52131	1	SPRING			
16	+	900603-50008	1	WASHER	8.5*18*0.8T		
17	+	610434-50031	1	BOLT 8*8	M8*8		
18	+	900242-05010	1	SCREW 5*10	5*10		
19	+	900162-06025	1	BOLT, H.S. 6*25	6*25 W,SW		
20	+	900855-06900	1	BEARING, BALL 6900	6900		

8. Gear Case, Blade

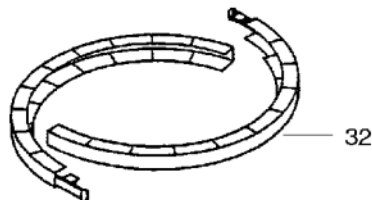
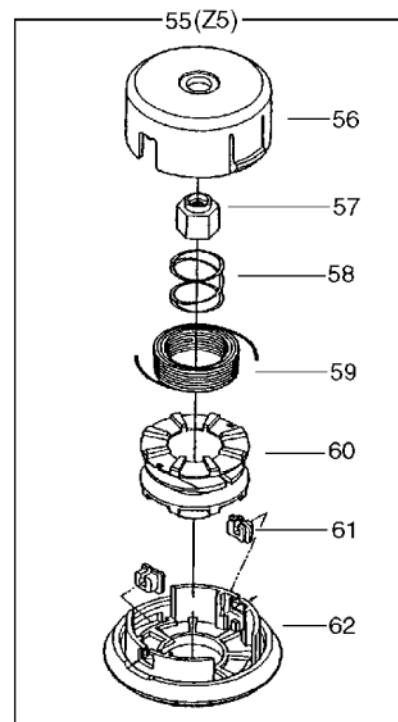
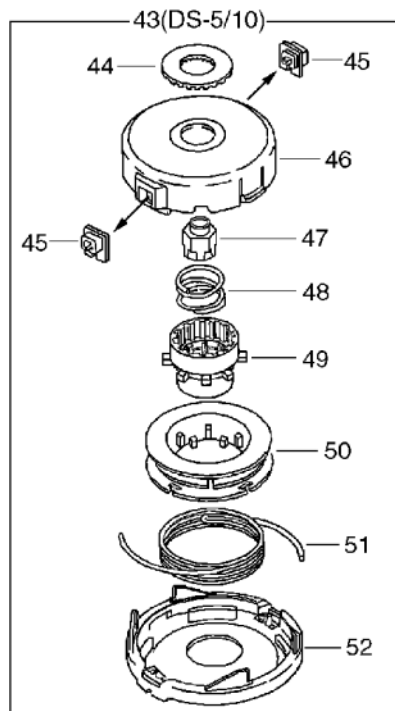
No.8



KEY	LV	PART NUMBER	Q'TY	DESCRIPTION	REMARKS	NOTE1	NOTE2
21	+	900858-06900	1	BEARING, BALL 6900Z	6900Z		
22	+	900702-00022	1	CIRCLIP 22	CR-22		
23	+	900706-00010	1	CIRCLIP 10	WR-10		
30		X405-000000	1	SAW,BUSH CUTTER	3*255*25.4*T2.0	Sus. by X405-000001	
30		X405-000001	1	SAW,BUSH CUTTER	3*255*25.4*T2.0		
33		696001-55630	1	BLADE, 8-CUTTER 10IN		Sus. by 696001-55631	
33		696001-55631	1	BLADE, 8-CUTTER 10IN	255*8T*1.4 PD25	OPTION	
34		695001-55630	1	SAW,CIRCULAR 10*80T		Sus. by 695001-55631	
34		695001-55631	1	SAW, CIRCULAR 10*80T	255*80T*1.4 PD25	OPTION	
35		699200-56830	1	CAP ASSY, FREE		OPTION	
36	+	610313-56830	1	PLATE, ADAPTER (U)		OPTION	
37	+	699226-05430	1	HOLDER, BEARING		OPTION	
38	+	900814-06202	1	BEARING, BALL 6202	6202ZZ	OPTION	
39	+	699227-04630	1	NUT		OPTION	
40	+	699228-08930	1	PLATE, COVER		OPTION	
41	+	900141-05012	4	BOLT 5*12	5*12	OPTION	

9. Nylon Line Cutting Head

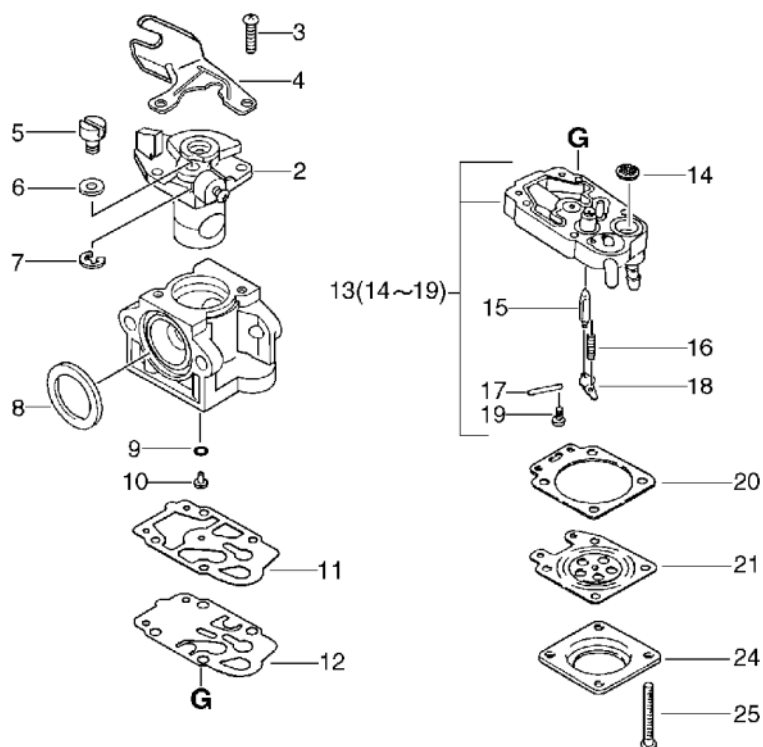
No.9



KEY	LV	PART NUMBER	Q'TY	DESCRIPTION	REMARKS	NOTE1	NOTE2
32		898523-47130	1	SCABBARD, BLADE		Sus. by P021-007470	
32		P021-007470	1	SCABBARD, BLADE			
43		X047-000220	1	CUTTER, ASM LINE	DS-5 M10L	Sus. by P021-000330	
44	+	V332-000000	1	WASHER, CIRCULAR 24			
45	+	P022-000710	2	EYELET	T4		
46	+	P022-005040	1	HOUSING			
47	+	P022-001160	1	NUT			
48	+	P022-001200	1	SPRING	DS-5/10		
49	+	P022-001310	1	TAP KNOB	DS-5/10		
50	+	P022-001180	1	BOBBIN	DS-5/10		
51	+	P022-006200	1	NYLON CODE	3.0*3M		
52	+	P022-005030	1	COVER			
55		X047-000330	1	CUTTER, ASM LINE	Z-5 M10 L	Z5	
56	+	P022-010420	1	HOUSING			
57	+	P022-010390	1	NUT			
58	+	P022-010370	1	SPRING			
59	+	P022-010380	1	NYLON CODE			
60	+	P022-010400	1	BOBBIN			
61	+	P022-000710	2	EYELET	T4		
62	+	P022-010410	1	COVER			

10. Carburetor

No.10



KEY	LV	PART NUMBER	Q'TY	DESCRIPTION	REMARKS	NOTE1	NOTE2
		A021-000420	1	CARBURETOR,DIAPHRAGM		Sus. by A021-000421	
		A021-000421	1	CARBURETOR,DIAPHRAGM	WYJ-312A		
2	+	P003-000750	1	VALVE ASY THROTTLE			
3	+	123114-40630	2	SCREW			
4	+	P003-000180	1	BRACKET CABLE			
5	+	123172-45130	1	SWIVEL			
6	+	123149-54230	1	WASHER			
7	+	123173-07930	1	CLIP			
8	+	123143-12110	1	RING, PACKING			
9	+	123183-40630	1	O-RING			
10	+	P003-000740	1	JET			
11	+	P003-000100	1	GASKET, PUMP			
12	+	123112-40630	1	DIAPHRAGM, PUMP			
13	+	P003-000720	1	BODY ASSEMBLY, PUMP			
14	++	123126-10631	1	SCREEN, INLET			
15	++	123137-19830	1	VALVE, INLET NEEDLE			
16	++	123122-05560	1	SPRING, METER. LEVER			
17	++	123138-03930	1	PIN, METERING LEVER			
18	++	123123-03930	1	LEVER, METERING			
19	++	123139-05560	1	SCREW, M. LEVER PIN			
20	+	123140-27230	1	GASKET, M. DIAPHRAGM			
21	+	P003-000090	1	METERING, DIAPHRAGM			
24	+	123142-03930	1	COVER, M. DIAPHRAGM			
25	+	123144-44330	4	SCREW			

Index

Patrs Number	Key No.	Patrs Number	Key No.	Patrs Number	Key No.
100011-16131	1 - 20	175018-49932	2 - 14	895112-00330	5 - 2
100012-16131	1 - 23	175046-46430	2 - 13	895610-00130	5 - 1
100013-27430	1 - 21	175048-05530	2 - 16	897518-01131	5 - 4
100014-53630	1 - 24	177202-41030	2 - 25	898510-39130	5 - 6
100015-03931	1 - 22	177215-43130	2 - 31	898523-47130	9 - 32
100100-55430	1 - 26	177218-40630	2 - 28	899580-68730	5 - 5
100142-12330	2 - 24	177220-40630	2 - 32	900105-05012	6 - 17
100204-55430	1 - 30	177228-27030	2 - 35	900105-05060	3 - 15
100213-05530	1 - 31	177234-40630	2 - 27	900105-05060	3 - 30
100215-03930	1 - 32	177236-44330	2 - 30	900106-05012	1 - 10
100242-55430	1 - 34	178013-52630	7 - 26	900106-05012	3 - 23
101010-55430	1 - 18	178043-42230	7 - 22	900106-05012	3 - 32
101100-37530	1 - 5	178081-55931	3 - 2	900106-05016	2 - 36
101113-37530	1 - 8	178090-52631	7 - 25	900106-05016	4 - 23
101119-37530	1 - 7	178090-52632	7 - 25	900141-05012	8 - 41
123112-40630	10 - 12	224924-52130	6 - 14	900162-05012	1 - 51
123114-40630	10 - 3	301000-55230	7 - 50	900162-05012	3 - 28
123122-05560	10 - 16	301000-55231	7 - 50	900162-05012	7 - 16
123123-03930	10 - 18	301001-56831	6 - 30	900162-05016	7 - 16
123126-10631	10 - 14	301015-05330	6 - 16	900162-05020	1 - 2
123137-19830	10 - 15	301200-21330	6 - 15	900162-05020	1 - 46
123138-03930	10 - 17	301205-21330	6 - 18	900162-05020	2 - 12
123139-05560	10 - 19	301305-24330	7 - 51	900162-05025	3 - 5
123140-27230	10 - 20	437412-16430	2 - 9	900162-05025	5 - 23
123142-03930	10 - 24	605014-54230	6 - 23	900162-05025	7 - 41
123143-12110	10 - 8	610281-54130	7 - 5	900162-05028	1 - 50
123144-44330	10 - 25	610300-25531	8 - 13	900162-05030	1 - 35
123149-54230	10 - 6	610310-56830	8 - 12	900162-05030	6 - 21
123172-45130	10 - 5	610313-56830	8 - 36	900162-06025	8 - 19
123173-07930	10 - 7	610314-52130	8 - 4	900220-05030	6 - 3
123181-39130	4 - 13	610320-52130	8 - 2	900238-05010	2 - 21
123183-40630	10 - 9	610352-56830	8 - 7	900242-05010	8 - 18
131016-55830	4 - 20	610400-52131	8 - 1	900242-05018	5 - 17
131205-14930	4 - 10	610400-52132	8 - 1	900242-05025	7 - 19
131300-56430	4 - 5	610434-50031	8 - 17	900242-05035	7 - 18
131920-55430	4 - 17	610444-56830	8 - 10	900242-05035	7 - 36
132010-21160	4 - 7	610473-52131	8 - 15	900252-05012	5 - 13
132010-22130	4 - 11	695001-55630	8 - 34	900253-04016	6 - 2
132010-53630	4 - 12	695001-55631	8 - 34	900253-04025	7 - 6
132013-26630	4 - 6	696001-55630	8 - 33	900500-00005	6 - 4
132115-55930	4 - 8	696001-55631	8 - 33	900500-00005	7 - 20
145610-55230	3 - 27	699013-56830	5 - 22	900500-00005	7 - 37
152626-55730	2 - 11	699200-56830	8 - 35	900502-00006	3 - 11
152801-55430	2 - 20	699226-05430	8 - 37	900502-00008	2 - 17
159010-10230	2 - 3	699227-04630	8 - 39	900565-00005	5 - 16
159025-37530	1 - 6	699228-08930	8 - 40	900565-50008	6 - 20
159112-09960	6 - 13	699229-56830	8 - 3	900600-00005	3 - 29
159112-09961	6 - 13	890617-43130	6 - 27	900600-00008	2 - 19
175018-49931	2 - 14	890617-43130	7 - 1	900603-50008	8 - 16

Index

Patrs Number	Key No.	Patrs Number	Key No.	Patrs Number	Key No.
900605-00008	2 - 18	C400-000210	6 - 25	P022-001310	9 - 49
900700-00004	2 - 26	C400-000211	6 - 25	P022-005030	9 - 52
900701-00012	1 - 44	C403-000030	6 - 26	P022-005040	9 - 46
900702-00022	8 - 22	C403-000031	6 - 26	P022-005090	2 - 33
900702-00028	1 - 41	C423-000041	6 - 22	P022-006200	9 - 51
900702-00032	8 - 9	C450-000022	6 - 7	P022-010370	9 - 58
900702-00045	1 - 49	C450-000110	7 - 21	P022-010380	9 - 59
900706-00010	8 - 23	C460-000011	6 - 5	P022-010390	9 - 57
900720-00012	8 - 5	C461-000000	7 - 24	P022-010400	9 - 60
900807-06001	1 - 42	C461-000010	7 - 32	P022-010410	9 - 62
900810-00626	8 - 14	C463-000000	6 - 10	P022-010420	9 - 56
900812-06201	8 - 11	C504-000050	6 - 29	V103-000150	3 - 3
900814-06202	8 - 38	C504-000050	7 - 10	V103-000160	3 - 7
900855-06900	8 - 20	C535-000000	8 - 6	V104-000330	3 - 22
900858-06900	8 - 21	C535-000001	8 - 6	V299-000110	6 - 24
94035-36201	1 - 33	C535-000010	8 - 8	V306-000121	1 - 25
A021-000420	10 -	C535-000011	8 - 8	V332-000000	9 - 44
A021-000420	3 - 8	C550-000080	5 - 11	V354-000110	2 - 34
A021-000421	10 -	C550-000090	5 - 21	V420-000640	3 - 21
A021-000421	3 - 8	C550-000100	5 - 15	V420-000960	7 - 42
A051-000280	2 - 29	C554-000000	5 - 12	V420-000970	1 - 48
A101-000080	1 - 20	C624-000020	7 - 52	V430-000540	3 - 12
A130-000320	1 - 3	J485-000030	3 - 19	V430-000561	6 - 11
A160-000390	1 - 9	P003-000090	10 - 21	V430-000930	7 - 8
A160-000391	1 - 9	P003-000100	10 - 11	V452-000060	6 - 8
A172-000260	1 - 45	P003-000180	10 - 4	V452-000120	7 - 31
A175-000010	4 - 22	P003-000720	10 - 13	V452-000130	6 - 6
A175-000011	4 - 22	P003-000740	10 - 10	V471-000640	4 - 14
A200-000090	3 - 6	P003-000750	10 - 2	V471-001180	4 - 7
A200-000100	3 - 9	P021-002611	6 - 1	V475-002210	3 - 13
A226-000140	3 - 16	P021-002612	6 - 1	V475-002220	6 - 12
A232-000150	3 - 18	P021-002620	5 - 10	V475-002240	4 - 9
A232-000151	3 - 18	P021-002751	6 - 19	V485-000230	2 - 22
A235-000100	3 - 20	P021-003080	1 - 19	V485-000240	2 - 23
A244-000010	3 - 14	P021-003081	1 - 19	X047-000220	9 - 43
A320-000130	3 - 31	P021-004280	3 - 10	X047-000330	9 - 55
A350-000200	4 - 18	P021-004290	4 - 19	X405-000000	8 - 30
A365-000020	4 - 21	P021-005940	7 - 35	X405-000001	8 - 30
A393-000060	4 - 16	P021-005950	7 - 40	X502-000070	2 - 37
A426-000000	2 - 2	P021-005960	7 - 17	X503-004680	1 - 1
A427-000000	2 - 1	P021-006010	7 - 15	X505-000140	7 - 1
A440-000400	6 - 9	P021-006011	7 - 15	X602-000020	5 - 3
A440-000440	7 - 23	P021-006802	1 - 19	X690-000030	5 - 5
A553-000000	2 - 15	P021-007470	9 - 32		
A556-000270	1 - 40	P022-000710	9 - 45		
C050-000330	6 - 28	P022-000710	9 - 61		
C050-000330	7 - 30	P022-001160	9 - 47		
C062-000181	6 - 30	P022-001180	9 - 50		
C062-000190	6 - 30	P022-001200	9 - 48		

YAMABIKO CORPORATION

7-2 SUEHIROCHO 1-CHOME, OHME, TOKYO 198-8760, JAPAN
PHONE: 81-428-32-6118. FAX: 81-428-32-6145.

