

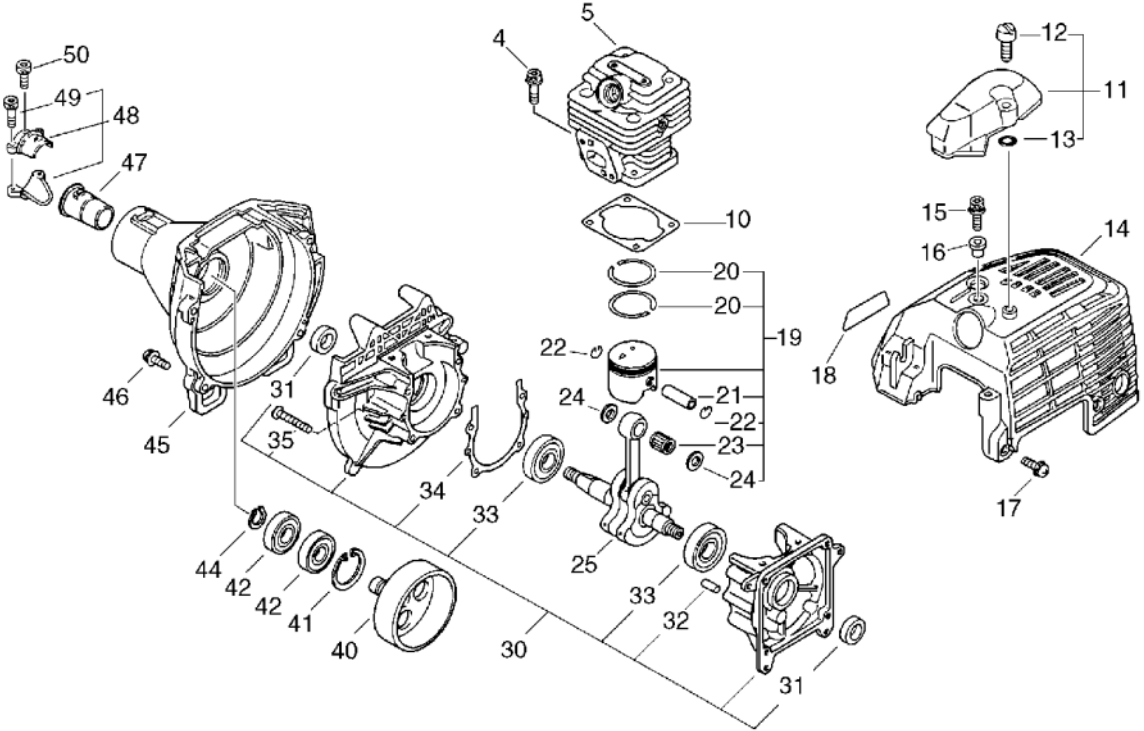


# **PARTS CATALOGUE**

## **GRASS-TRIMMER / BRUSHCUTTER**

**SRM-3150,3600**

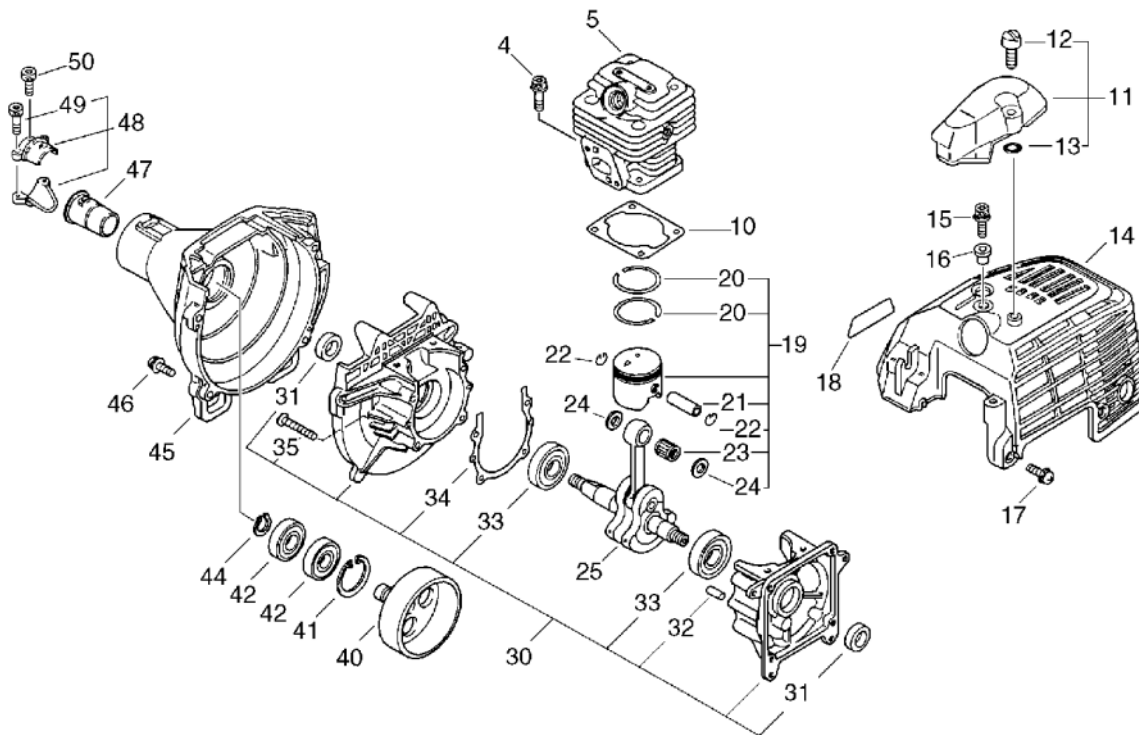
**1. Cylinder, Crankcase, Piston, Fan Cover**  
**No.1**



KEY	LV	PART NUMBER	Q'TY	DESCRIPTION	REMARKS	NOTE1	NOTE2
4		900162-05020	4	BOLT, H.S. 5*20	5*20 W,SW		
5		101034-55630	1	CYLINDER		SRM-3150	
5		101034-55830	1	CYLINDER		Sus. by A130-000601 SRM-3600	
5		A130-000601	1	CYLINDER			
5		A130-000600	1	CYLINDER		SRM-3600	
10		101010-55430	1	GASKET, CYL. BASE			
11		159902-55230	1	GUARD KIT, TOP			
12	+	352325-55230	1	KNOB, FASTENER			
13	+	900720-00004	1	O-RING (P-4)	P-4		
14		101514-55630	1	COVER, CYLINDER			
15		900162-05020	1	BOLT, H.S. 5*20	5*20 W,SW		
16		101531-55230	1	COLLAR			
17		900162-05012	2	BOLT, H.S. 5*12	5*12 W,SW		
18		890112-55630	1	LABEL, MODEL		SRM-3150	
18		890115-55430	1	LABEL MODEL SRM-3600		SRM-3600	
19		100000-55430	1	PISTON KIT		Sus. by 100000-55431	
19		100000-55431	1	PISTON KIT		SRM-3150	
19		100000-55830	1	PISTON KIT		Sus. by P021-007410	
19		100000-55831	1	PISTON KIT		Sus. by P021-007410	
19		100000-55832	1	PISTON KIT		Sus. by P021-007410	

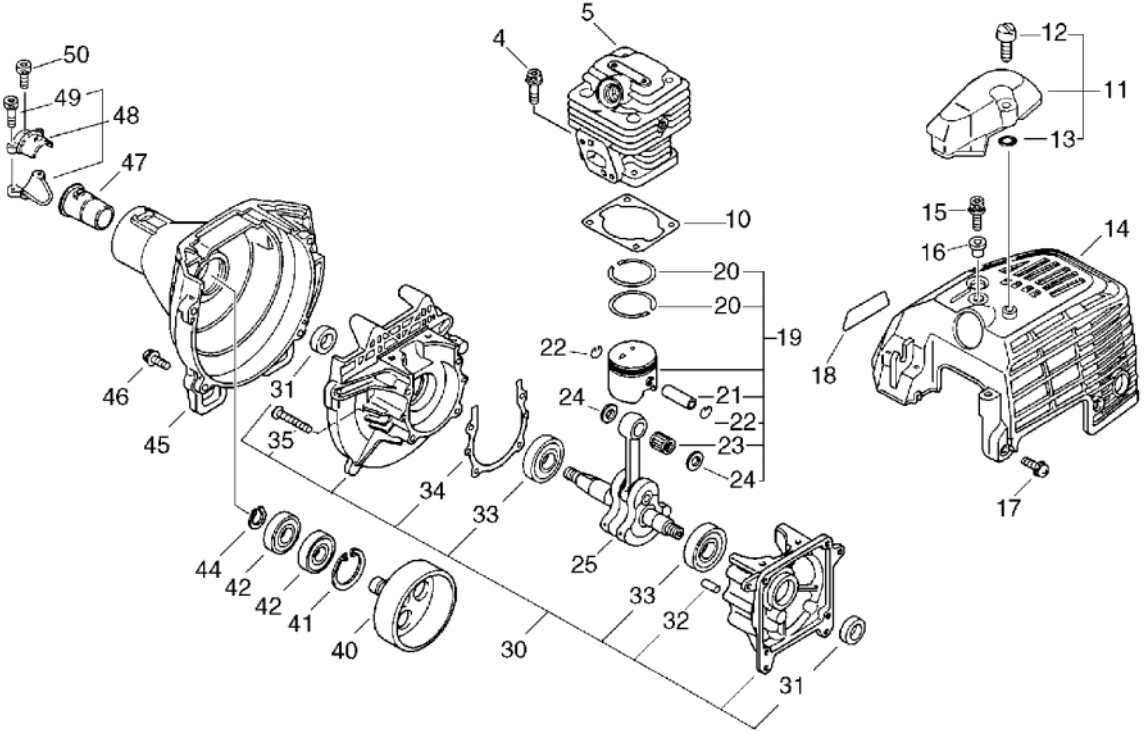
# 1. Cylinder, Crankcase, Piston, Fan Cover

## No.1



KEY	LV	PART NUMBER	Q'TY	DESCRIPTION	REMARKS	NOTE1	NOTE2
19		P021-007410	1	PISTON KIT		SRM-3600	
20	+	100011-16131	2	RING, PISTON		SRM-3150	
20	+	100011-42230	2	RING, PISTON		SRM-3600	
21	+	100013-27430	1	PIN, PISTON			
22	+	100015-03930	2	CIRCLIP, PISTON PIN		Sus. by 100015-03931	
22	+	100015-03931	2	CIRCLIP, PISTON PIN			
23	+	100012-16131	1	BEARING, NEEDLE			
24	+	100014-53630	2	SPACER, PISTON PIN			
25		100100-55430	1	CRANKSHAFT ASSY			
30		100204-55430	1	CRANKCASE KIT			
31	+	100213-05530	2	OILSEAL	ISCD 12 22 7		
32	+	100215-03930	4	PIN, DOWEL			
33	+	900810-36201	2	BEARING, BALL 6201	6201/C3	Sus. by 94035-36201	
33	+	94035-36201	2	BEARING BALL	6201X3JR2C3		
34	+	100242-55430	1	GASKET, CRANKCASE			
35	+	900162-05030	4	BOLT, H.S. 5*30	5*30 W,SW		
40		175005-49930	1	DRUM, CLUTCH			
41		900702-00028	1	CIRCLIP 28	CR-28		
42		900807-06001	2	BEARING, BALL 6001	6001V(LB)		
44		900701-00012	1	CIRCLIP 12	CS-12		
45		101511-55630	1	COVER, FAN			
46		900162-05020	4	BOLT, H.S. 5*20	5*20 W,SW		
47		610910-55630	1	CUSHION		Sus. by 610910-51830	

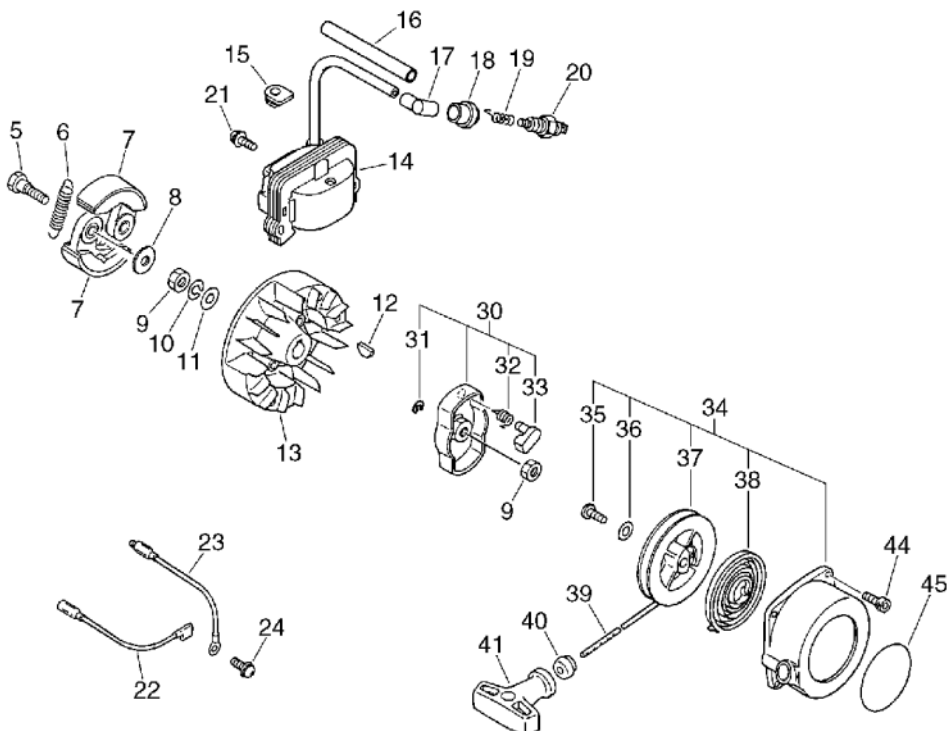
**1. Cylinder, Crankcase, Piston, Fan Cover**  
**No.1**



KEY	LV	PART NUMBER	Q'TY	DESCRIPTION	REMARKS	NOTE1	NOTE2
47		610910-51830	1	CUSHION			
48		610903-55630	1	HOLDER KIT			
49	+	900162-05025	2	BOLT, H.S. 5*25	5*25 W,SW		
50		900162-05012	1	BOLT, H.S. 5*12	5*12 W,SW		

2. Starter, Magneto, Clutch

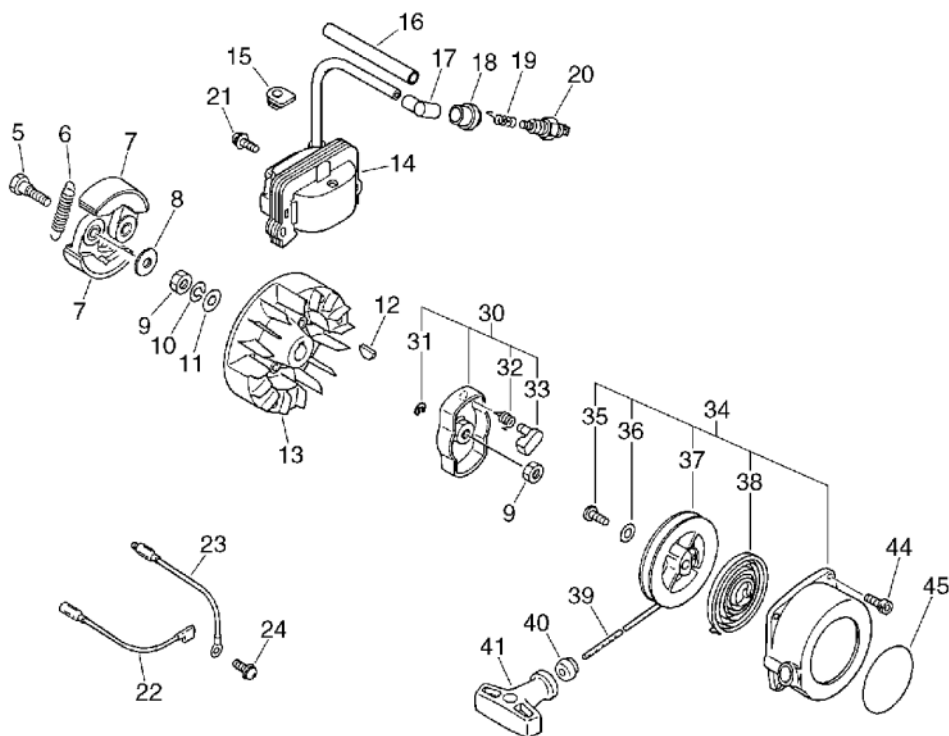
No.2



KEY	LV	PART NUMBER	Q'TY	DESCRIPTION	REMARKS	NOTE1	NOTE2
5		175046-46430	2	BOLT, CLUTCH			
6		175018-27931	1	SPRING, CLUTCH		Sus. by 175018-49932	
6		175018-27932	1	SPRING, CLUTCH		Sus. by 175018-49932	
6		175018-49931	1	SPRING, CLUTCH		Sus. by 175018-49932	
6		175018-49932	1	SPRING, CLUTCH		Sus. by 175018-49932	
7		175009-46431	2	SHOE, CLUTCH		Sus. by A553-000000	
7		A553-000000	2	ARM,CLUTCH			
8		175048-05530	2	WASHER (I)	6.2*19*1.0		
9		900502-00008	2	NUT 8 (3N)	3N8		
10		900605-00008	1	WASHER, SPRING 8	8		
11		900600-00008	1	WASHER 8	8		
12		100142-12330	1	KEY, WOODRUFF			
13		152801-55430	1	ROTOR, MAGNET			
14		152626-55430	1	COIL, IGNITION			
15		150112-44330	1	BUSHING			
16		150611-14530	1	TUBE 6*7*110	6*7*110		
17		159012-01620	1	CAP, SPARK PLUG			
18		159015-55230	1	COVER, PLUG CAP			
19		159011-03432	1	COIL, SPARK PLUG			
20		159010-10230	1	PLUG, SPARK (BPMR-7A)	BPMR-7A		
21		900162-05020	2	BOLT, H.S. 5*20	5*20 W,SW		
22		162010-55630	1	LEAD, GROUND	170L		

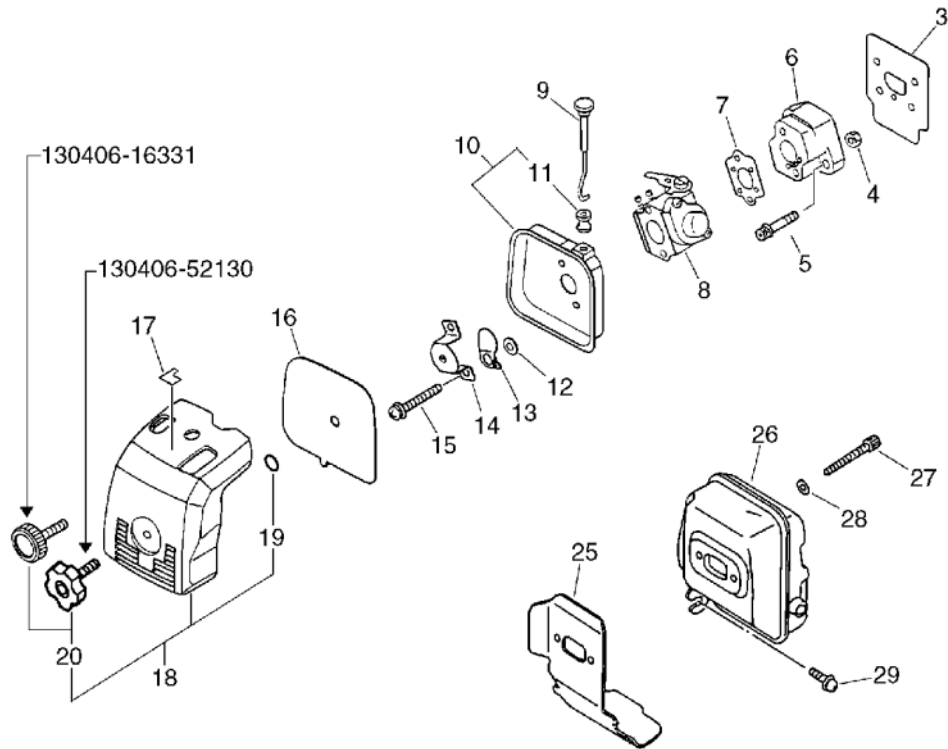
## 2. Starter, Magneto, Clutch

No.2



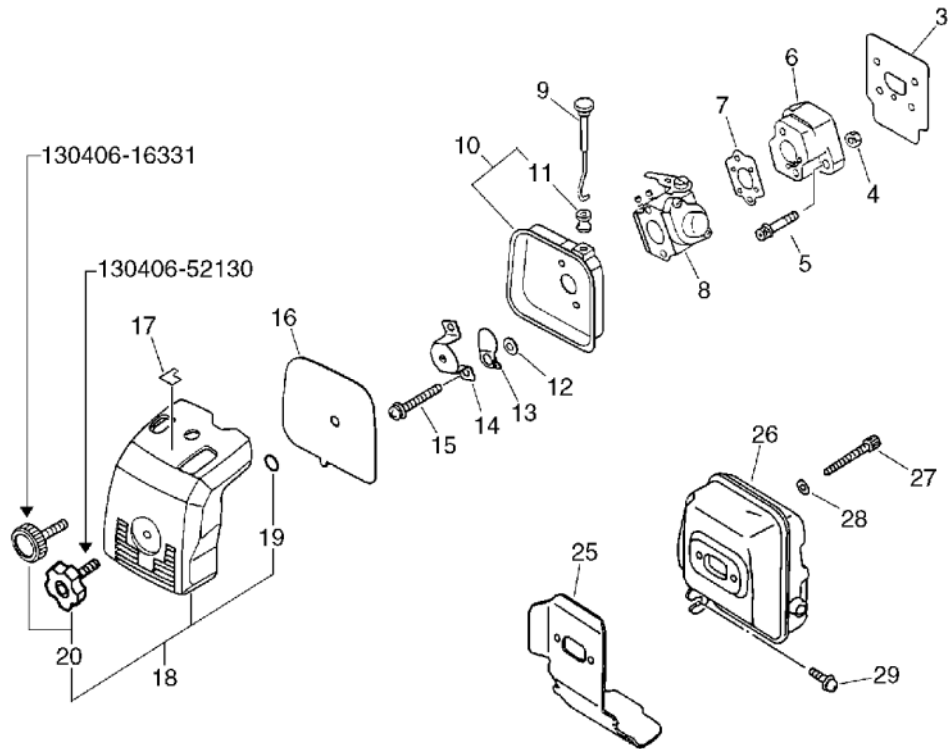
KEY	LV	PART NUMBER	Q'TY	DESCRIPTION	REMARKS	NOTE1	NOTE2
23		162014-52930	1	LEAD, GROUND			
24		900238-05010	1	SCREW 5*10	5*10		
30		177202-41030	1	PAWL ASSY, STARTER			
31	+	900700-00004	1	E-RING 4	CE-4		
32	+	177234-40630	1	SPRING, RETURN			
33	+	177218-40630	1	PAWL, STARTER	WHITE		
34		177200-55630	1	STARTER ASSY		Sus. by 177200-55631	
34		177200-55631	1	STARTER ASSY			
35	+	177236-40630	1	SCREW			
36	+	177214-41030	1	WASHER			
37	+	177215-43130	1	DRUM, STARTER			
38	+	177220-40630	1	SPRING, REWIND			
39	+	177226-01110	1	ROPE, STARTER	4.0*880		
40	+	177227-42030	1	GUIDE, ROPE			
41	+	177228-11120	1	GRIP, STARTER		Sus. by 177228-27030	
41	+	177228-27030	1	GRIP, STARTER			
44		900162-04014	4	BOLT, H.S. 4*14	4*14 W,SW		
45		890118-49330	1	LABEL, ECHO			

**3. Air Cleaner, Muffler**  
No.3



KEY	LV	PART NUMBER	Q'TY	DESCRIPTION	REMARKS	NOTE1	NOTE2
3		130016-55430	1	GASKET, INTAKE			
4		900500-00005	2	NUT 5	5		
5		900162-05025	2	BOLT, H.S. 5*25	5*25 W,SW		
6		130017-55630	1	INSULATOR			
7		130010-05960	1	GASKET, INTAKE			
8		123000-55630	1	CARBURETOR WT-344	WT-344		
9		178510-51730	1	ROD, CHOKE			
10		130301-51730	1	CASE, AIR CLEANER			
11	+	178810-05230	1	GROMMET			
12		178516-00830	1	SPACER	5.2*8*0.8T		
13		178515-05060	1	SHUTTER, CHOKE			
14		129011-52130	1	PLATE		Sus. by 129011-52131	
14		129011-52131	1	PLATE			
15		900162-05057	2	BOLT, H.S. 5*57	5*57 W,SW		
16		130310-51730	1	FILTER, AIR			
17		890121-47530	1	LABEL, CHOKE			
18		130302-51731	1	COVER ASSY, AIR CLN.		Sus. by 130302-52131	
18		130302-52130	1	COVER ASSY, AIR CLN.		Sus. by 130302-52131	
18		130302-52131	1	COVER ASY, A.CLEANER			
19	+	900720-00003	1	O-RING P-3	P-3	Can be used on the 130302-51731 only	

**3. Air Cleaner, Muffler**  
No.3

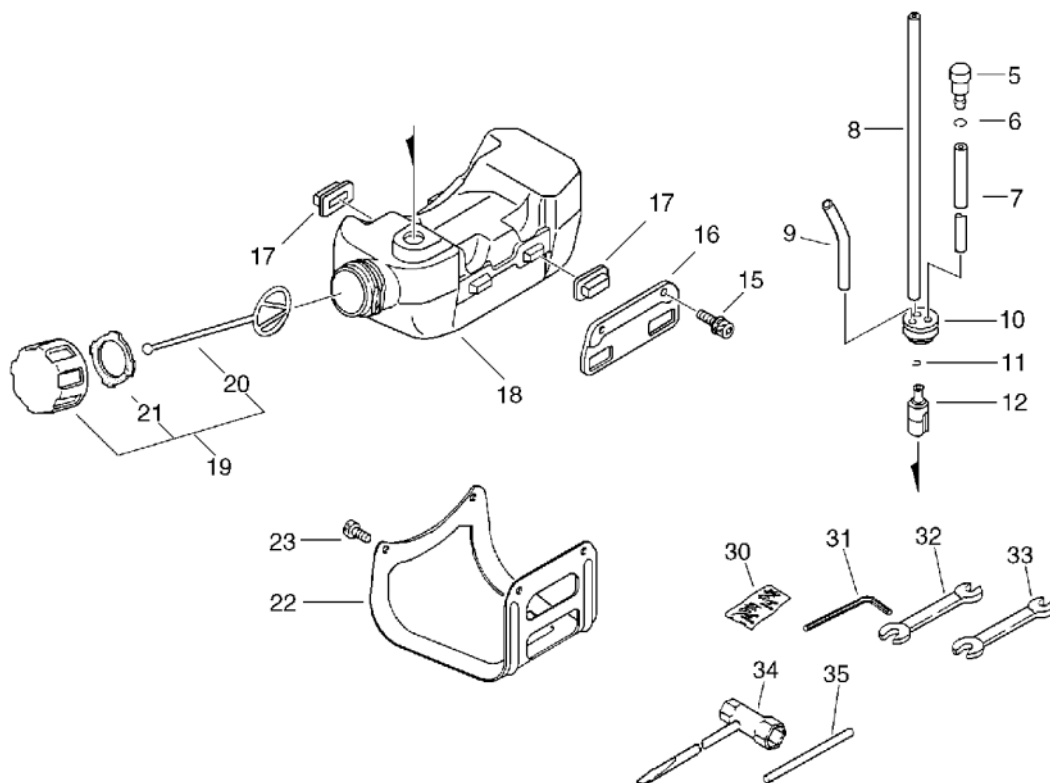


KEY	LV	PART NUMBER	Q'TY	DESCRIPTION	REMARKS	NOTE1	NOTE2
20	+	130406-16331	1	NUT, THUMB		Can be used on the 130302-51731 only	
20	+	130406-52130	1	KNOB, FASTENER		Sus. by 130406-52131	
20	+	130406-52131	1	KNOB, FASTENER		Can be used on the 130302-52130 and 52131	
25		145510-55430	1	GASKET, MUFFLER			
26		145610-55230	1	MUFFLER			
27		900105-05060	2	BOLT, H.S. 5*60	5*60		
28		900600-00005	2	WASHER 5	5		
29		900162-05012	1	BOLT, H.S. 5*12	5*12 W,SW		



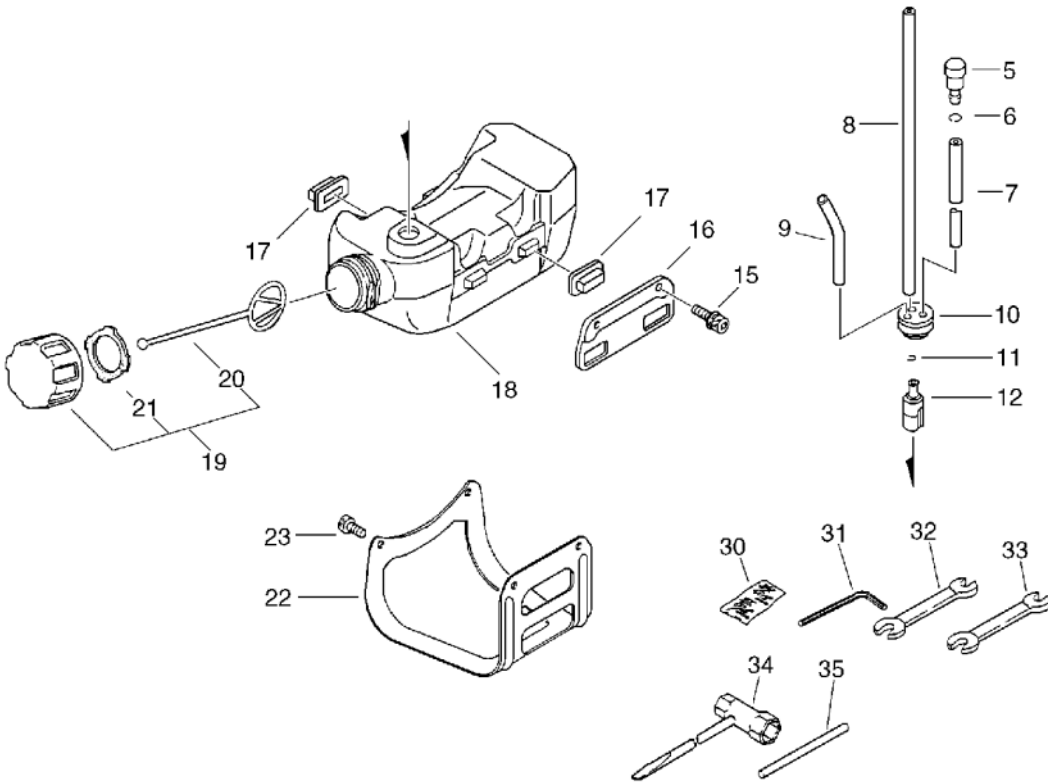
# 4. Fuel Tank, Tools

No.4



KEY	LV	PART NUMBER	Q'TY	DESCRIPTION	REMARKS	NOTE1	NOTE2
5		131300-49930	1	VALVE, CHECK		Sus. by 131300-56430	
5		131300-56430	1	VALVE, CHECK			
6		130111-00530	1	CLIP	5.5		
7		437210-11131	1	PIPE 3*5*90 NBR	3*5*90 NBR	Sus. by V471-001210	
7		V471-001210	1	PIPE	3*5*90 NBR		
8		132010-13930	1	PIPE, FUEL	3*5*180L NBR	Sus. by V471-001190	
8		V471-001190	1	PIPE	3*5*180 NBR		
9		132012-51030	1	PIPE 3*5* 90	3*5*90 ㄷ ㄷ ㄷ	Sus. by 132010-56330	
9		132010-56330	1	PIPE 3*6*90	3*6*90 YL		
10		132115-46730	1	GROMMET, FUEL			
11		132013-09820	1	CLIP	6MM		
12		131205-14930	1	STRAINER,FUEL			
15		900162-05020	2	BOLT, H.S. 5*20	5*20 W,SW		
16		131910-55430	1	BRACKET, FUEL TANK			
17		131920-55430	4	CUSHION, FUEL TANK			
18		131010-55430	1	TANK, FUEL		Sus. by 131010-64931	
18		131010-58130	1	TANK, FUEL		Sus. by 131010-64931	
18		131010-64930	1	TANK, FUEL		Sus. by 131010-64931	
18		131010-64931	1	TANK, FUEL			

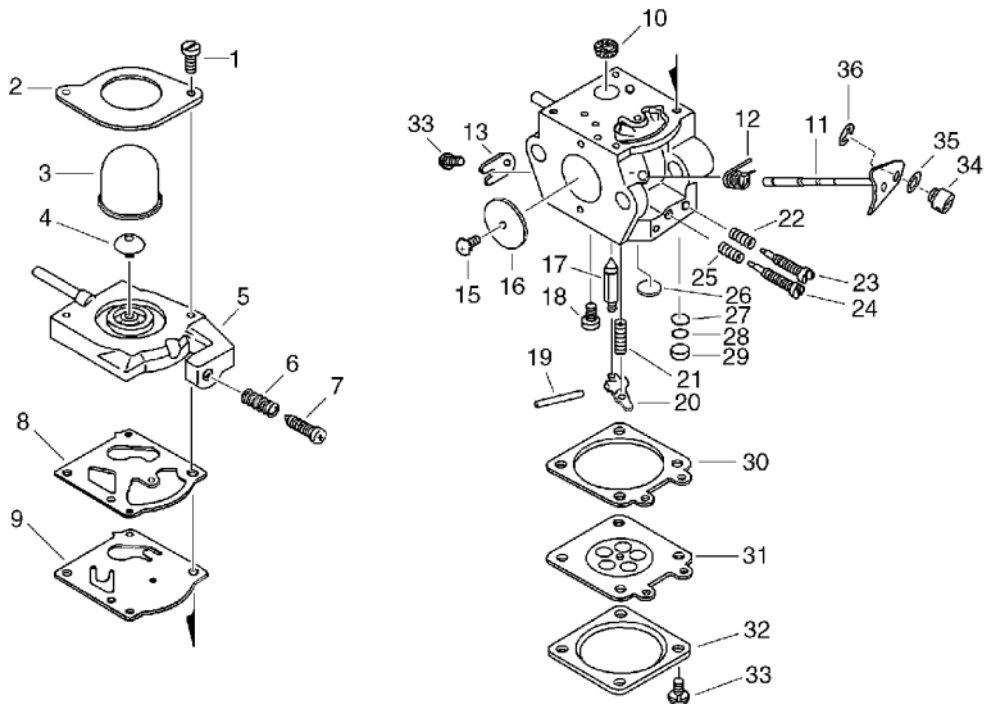
**4. Fuel Tank, Tools**  
No.4



KEY	LV	PART NUMBER	Q'TY	DESCRIPTION	REMARKS	NOTE1	NOTE2
19		131004-46730	1	CAP ASSY, FUEL TANK		Sus. by 131004-08960	
19		131004-08960	1	CAP ASSY, FUEL			
20	+	131051-52430	1	CONNECTOR, CAP	80L		
21	+	131016-40930	1	GASKET, FUEL CAP		Can be used on the 131004-46730 only	
21	+	131016-55830	1	GASKET, FUEL CAP		Can be used on the 131004-08960 only	
22		305110-55630	1	STAND			
23		900162-05012	2	BOLT, H.S. 5*12	5*12 W,SW		
30		898502-01130	1	PIN 2*22 (W/POUCH)			
31		895610-00130	1	L-WRENCH (4MM)			
32		895112-00330	1	SPANNER 8*10			
33		895123-03830	1	SPANNER 10*13			
34		895410-08030	1	WRENCH, W/S. DRIVER		Sus. by X602-000020	
34		X602-000020	1	TOOL,WRENCH	17*19 L200		
35		897518-01131	1	LOCKING TOOL			

## 5. Carburetor

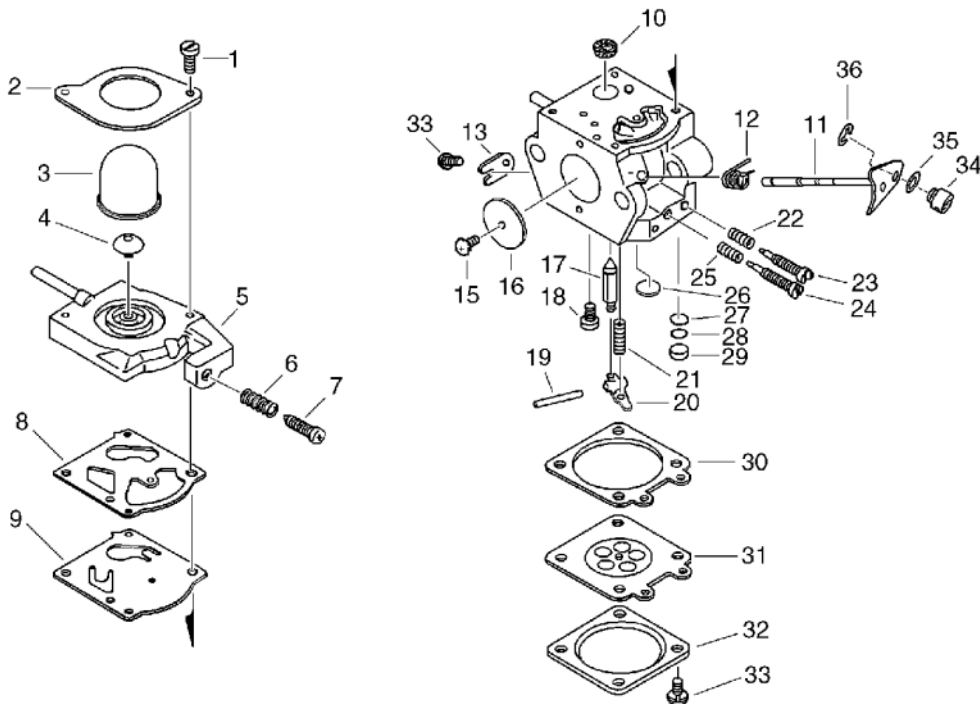
No.5



KEY	LV	PART NUMBER	Q'TY	DESCRIPTION	REMARKS	NOTE1	NOTE2
		123000-55630	1	CARBURETOR WT-344	WT-344		
1	+	123110-43130	2	SCREW			
2	+	123142-09560	1	COVER, PRIMER PUMP			
3	+	123181-09560	1	PUMP, PRIMER			
4	+	123171-35630	1	VALVE, CHECK			
5	+	123124-43130	1	COVER, FUEL PUMP			
6	+	123133-04260	1	SPRING, IDLE ADJUST			
7	+	123134-04260	1	SCREW, IDLE ADJUST			
8	+	123125-09560	1	GASKET, FUEL PUMP			
9	+	123112-09560	1	DIAPHRAGM, FUEL PUMP			
10	+	123126-10631	1	SCREEN, INLET			
11	+	123117-55630	1	SHAFT, THROTTLE			
12	+	123113-47530	1	SPRING, THR. RTN.			
13	+	123127-03930	1	CLIP, THROTTLE SHAFT			
15	+	123114-03930	1	SCREW		Sus. by 123114-38830	
15	+	123114-38830	1	SCREW			
16	+	123116-23230	1	VALVE, THROTTLE			
17	+	123137-04260	1	VALVE, INLET NEEDLE			
18	+	123139-03930	1	SCREW, M. LEVER PIN			
19	+	123138-03930	1	PIN, METERING LEVER			
20	+	123123-03930	1	LEVER, METERING			
21	+	123122-06530	1	SPRING, METER. LEVER			
22	+	123119-22130	1	SPRING, NEEDLE			
23	+	123120-09560	1	NEEDLE, HIGH SPEED			
24	+	123118-24430	1	NEEDLE, IDLE			

5. Carburetor

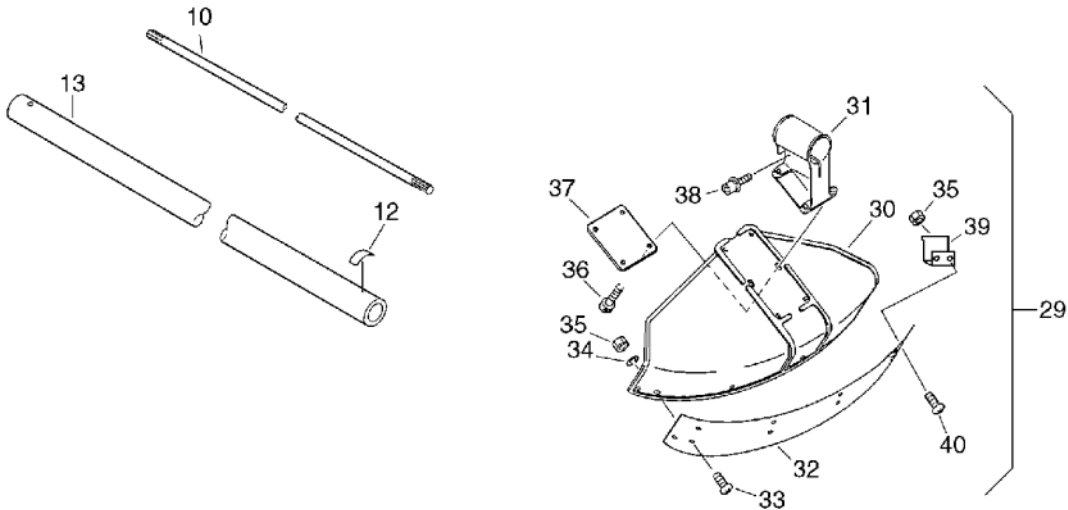
No.5



KEY	LV	PART NUMBER	Q'TY	DESCRIPTION	REMARKS	NOTE1	NOTE2
25	+	123121-22130	1	SPRING, NEEDLE			
26	+	123146-10631	1	PLUG, WELCH			
27	+	123168-10630	1	SCREEN			
28	+	123169-10630	1	RING, RETAINING			
29	+	123146-17330	1	PLUG, CUP			
30	+	123140-27230	1	GASKET, M. DIAPHRAGM			
31	+	123141-03930	1	DIAPHRAGM, METERING			
32	+	123142-03930	1	COVER, M. DIAPHRAGM			
33	+	123130-02960	5	SCREW			
34	+	123172-26030	1	SWIVEL			
35	+	123149-26030	1	WASHER			
36	+	123173-07930	1	CLIP			

6. Shield

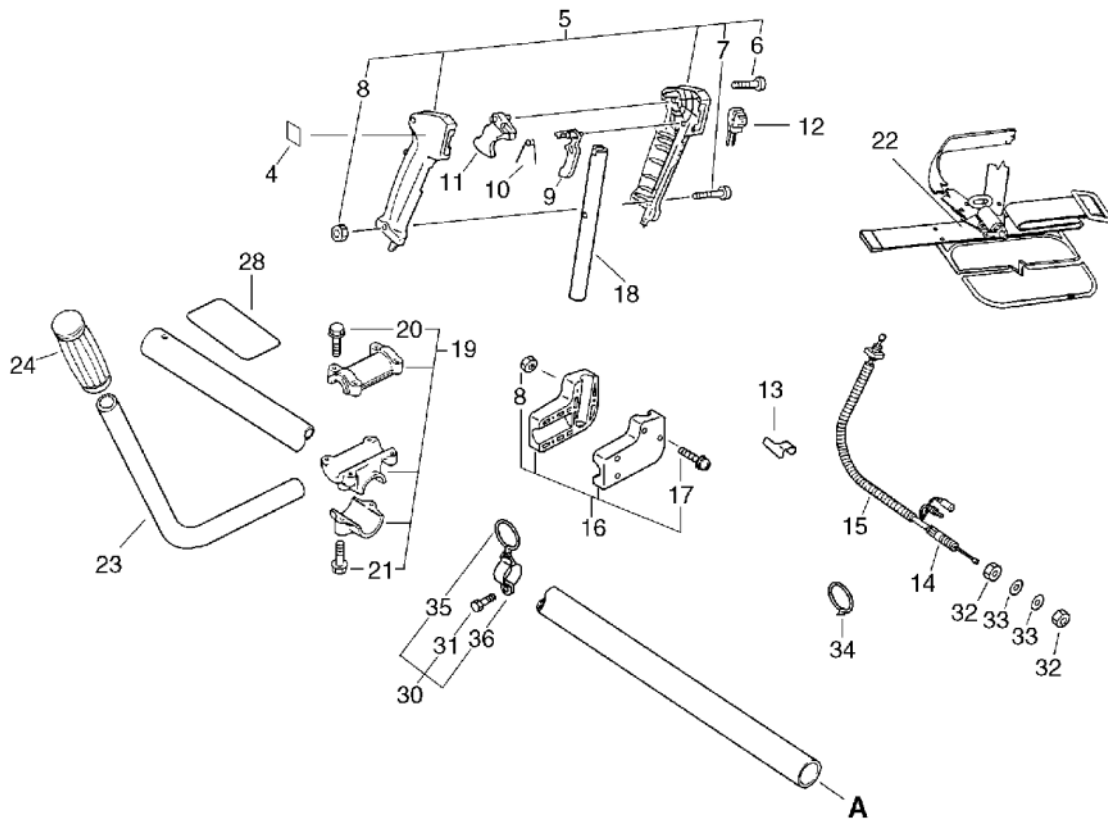
No.6



KEY	LV	PART NUMBER	Q'TY	DESCRIPTION	REMARKS	NOTE1	NOTE2
10		610011-06230	1	SHAFT, DRIVE			
12		890152-04930	1	LABEL, CAUTION			
13		610206-55630	1	HOUSING ASSY, D.SHFT			
29		699001-50430	1	SHIELD ASSY			
30	+	699010-54430	1	SHIELD, BLADE			
31	+	699011-43130	1	BRACKET, SHIELD			
32	+	699013-52130	1	PLATE, SHIELD			
33	+	900242-05018	4	SCREW 5*18	5*18		
34	+	900603-00005	4	WASHER 5	5.5*12*0.8		
35	+	900500-00005	6	NUT 5	5		
36	+	900242-05014	4	SCREW 5*14	5*14		
37	+	699015-52130	1	PLATE, SHIELD			
38	+	900142-05025	2	BOLT 5*25 (W/W,SW)	5*25		
39	+	699016-52130	1	KNIFE, CORD		Sus. by 699016-54530	
39	+	699016-54530	1	KNIFE			
40	+	900242-05012	2	SCREW 5*12	5*12		

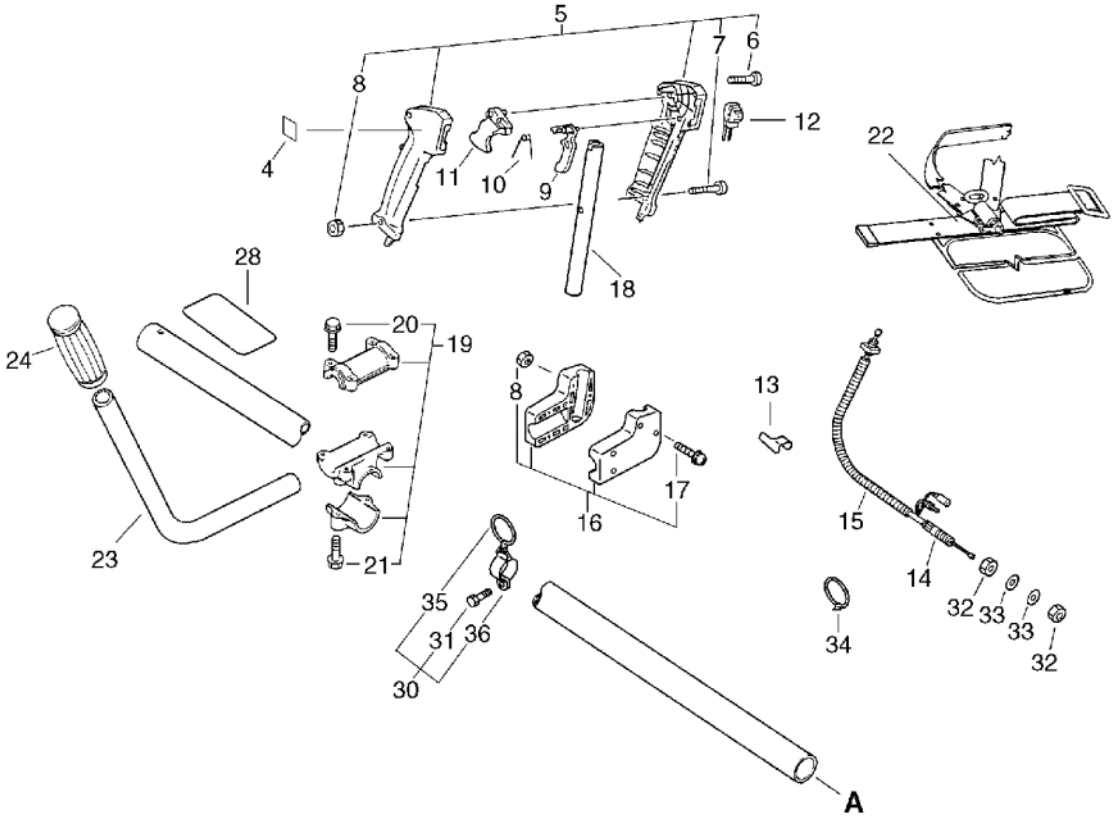
# 7. U-Handle

No.7



KEY	LV	PART NUMBER	Q'TY	DESCRIPTION	REMARKS	NOTE1	NOTE2
4		890157-39130	1	LABEL, SWITCH		Diuse	
5		351102-47530	1	GRIP ASSY, F-HANDLE			
6	+	900246-03025	4	SCREW 3*25	3*25		
7	+	900220-05030	1	SCREW 5*30	5*30		
8	+	900500-00005	1	NUT 5	5		
9		178012-05960	1	LOCKOUT, THROTTLE			
10		178013-35631	1	SPRING, THR. LOCK			
11		178010-05960	1	CONTROL, THROTTLE			
12		163400-48030	1	SWITCH, IGNITION			
13		178111-04930	1	CLIP			
14		178001-47530	1	WIRE, THROTTLE			
15		178127-47530	1	TUBE	7*10*760		
16		351202-51430	1	BRACKET ASSY, HANDLE			
8	+	900500-00005	4	NUT 5	5		
17	+	900162-05020	4	BOLT, H.S. 5*20	5*20 W,SW		
18		351210-52430	1	HANDLE, FRONT			
19		351301-04130	1	BRACKET ASS'Y, HNDL.			
20	+	900162-05025	4	BOLT, H.S. 5*25	5*25 W,SW		
21	+	900142-06030	2	BOLT 6*30 (W/W,SW)	6*30		
22		301300-24830	1	HARNESS ASSY		Sus. by 301001-52130	
22		301300-24831	1	HARNESS ASSY		Sus. by 301001-52130	
22		301001-52130	1	HARNESS, SHOULDER			
23		351110-52430	1	HANDLE, FRONT			
24		351311-22430	1	GRIP, HANDLE			

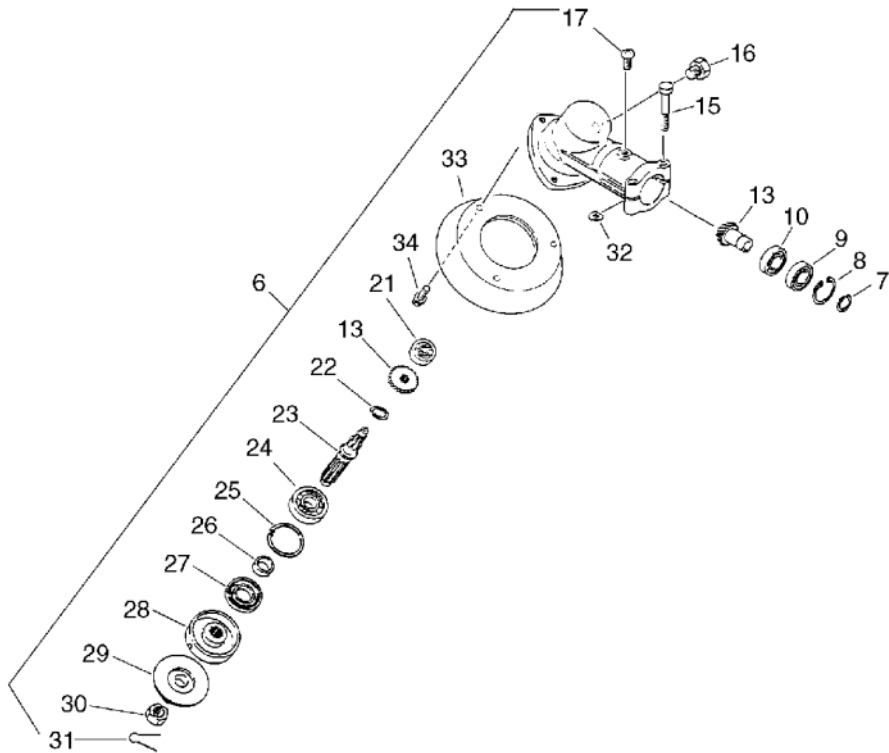
**7. U-Handle**  
No.7



KEY	LV	PART NUMBER	Q'TY	DESCRIPTION	REMARKS	NOTE1	NOTE2
28		890617-46830	1	LABEL, CAUTION		Sus. by 890617-43130	
28		890617-43130	1	LABEL, CAUTION			
30		301200-05230	1	HOOK ASS'Y			
31	+	900100-05012	1	BOLT 5*12	5*12		
35	+	301015-05330	1	HOOK, BAND			
36	+	301210-04630	1	HOOK			
32		900502-00006	2	NUT 6 (3N)	3N6		
33		900603-00006	2	WASHER 6	6.5*13*1		
34		178121-43230	1	BAND	CV-150 BL		

8. Gear Case(U-Handle Type)

No.8

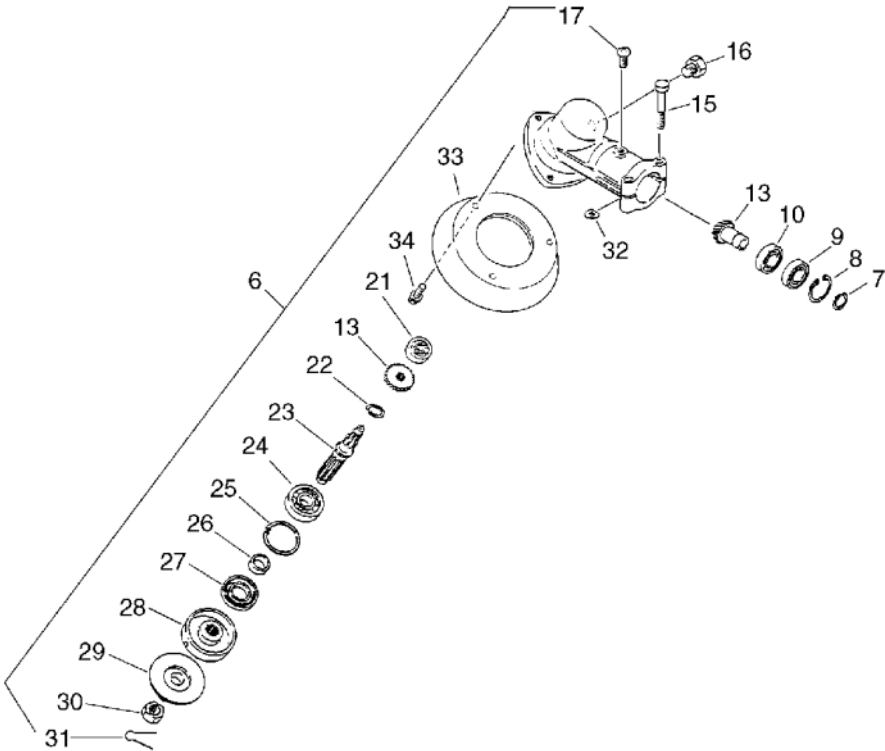


KEY	LV	PART NUMBER	Q'TY	DESCRIPTION	REMARKS	NOTE1	NOTE2
6		610400-40430	1	HOUSING ASSY, GEAR		Sus. by 610400-40431	
6		610400-40431	1	CASE ASY, GEAR			
7	+	900701-00012	1	CIRCLIP 12	CS-12		
8	+	900702-00028	1	CIRCLIP 28	CR-28		
9	+	900807-06001	1	BEARING, BALL 6001	6001V(LB)		
10	+	900800-06001	1	BEARING, BALL 6001	6001		
13	+	610300-40430	1	GEAR SET			
15	+	900142-05030	2	BOLT 5*30 (W/W,SW)	5*30		
16	+	610434-50030	1	BOLT 8* 6		Sus. by 610434-50031	
16	+	610434-50031	1	BOLT 8* 8	M8*8		
17	+	900242-05010	1	SCREW 5*10	5*10		
21	+	900800-36000	1	BEARING, BALL 6000	6000/C3		
22	+	900706-00012	1	CIRCLIP 12	WR-12		
23	+	610310-07130	1	SHAFT, P.T.O.			
24	+	900810-06201	1	BEARING, BALL 6201	6201		
25	+	900702-00032	1	CIRCLIP 32	CR-32		
26	+	610315-07130	1	SPACER			
27	+	610413-07130	1	OILSEAL			
28	+	610313-07130	1	PLATE, ADAPTER (U)	PD 25.4	Sus. by 610313-07132	
28	+	610313-07131	1	PLATE, ADAPTER (U)	PD 25.4	Sus. by 610313-07132	
28	+	610313-07132	1	PLATE, ADAPTER (U)			
29	+	610314-07130	1	PLATE, ADAPTER (L)			



8. Gear Case(U-Handle Type)

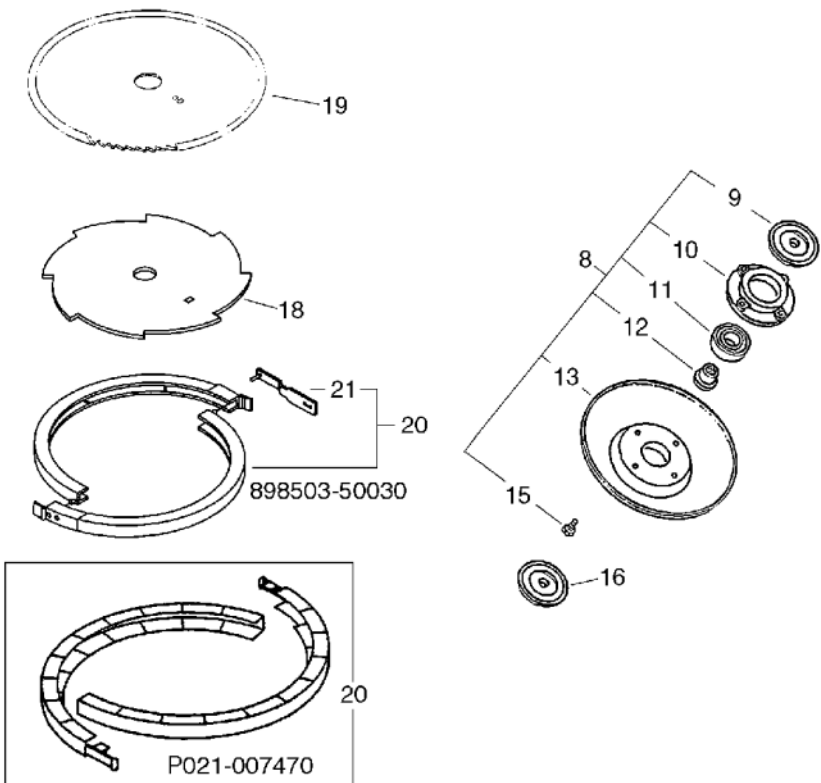
No.8



KEY	LV	PART NUMBER	Q'TY	DESCRIPTION	REMARKS	NOTE1	NOTE2
30	+	900511-00010	1	NUT 10 (L-H)	10*P1.25		
31	+	900300-20022	1	PIN, SPLIT 2*22	2*22		
32	+	610239-04130	2	WASHER, SHIM			
33	+	610443-21232	1	PLATE, GUARD		Sus. by C536-000030	
33	+	C536-000030	1	COVER,GEAR CASE			
34	+	900242-05020	3	SCREW 5*20	5*20		

9. Blade, Free Cup

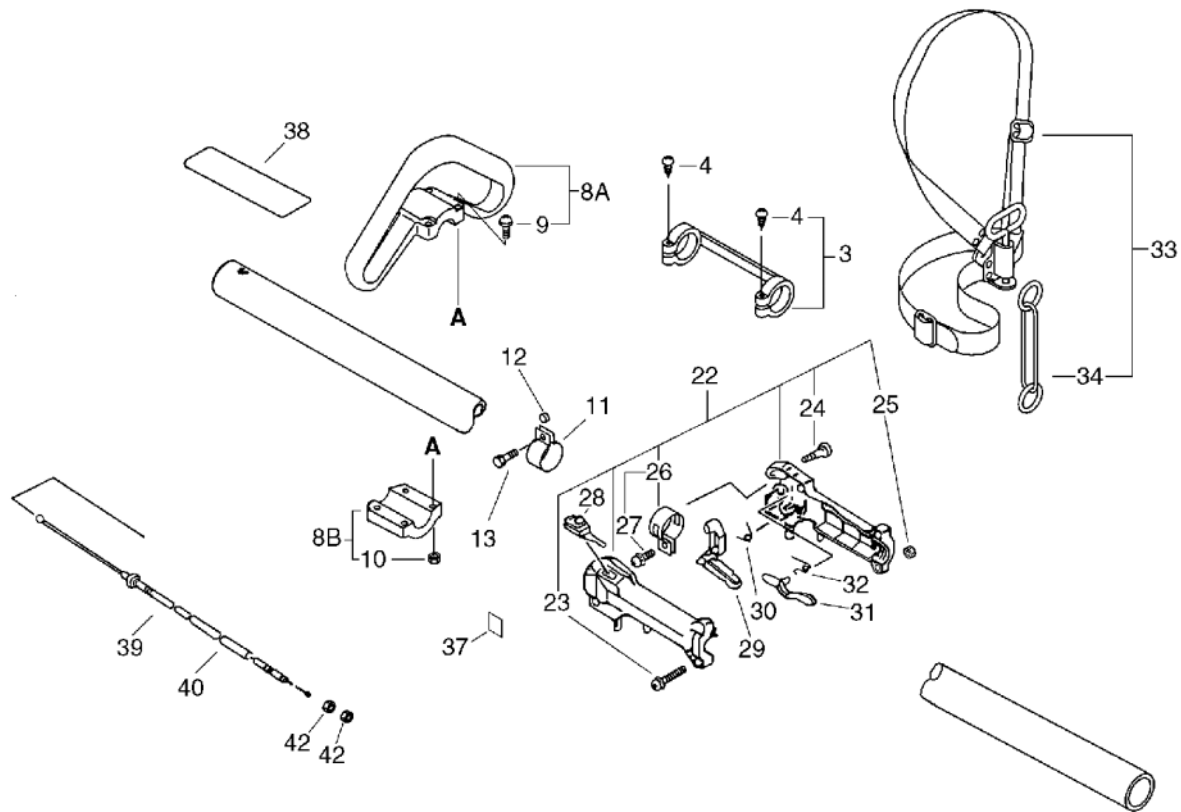
No.9



KEY	LV	PART NUMBER	Q'TY	DESCRIPTION	REMARKS	NOTE1	NOTE2
8		699200-07131	1	CUP ASSY, FREE			
9	+	610333-07130	1	PLATE, ADAPTER (L)			
10	+	699226-05430	1	HOLDER, BEARING			
11	+	900814-06202	1	BEARING, BALL 6202	620ZZ		
12	+	699227-04630	1	NUT			
13	+	699228-08930	1	PLATE, COVER			
15	+	900141-05012	4	BOLT 5*12	5*12		
16		610336-07131	1	PLATE, ADAPTER (L)			
18		696001-55630	1	BLADE, 8-CUTTER 10IN		Sus. by 696001-55631	
18		696001-55631	1	BLADE, 8-CUTTER 10IN	255*8T*1.4 PD25		
19		695001-55630	1	SAW,CIRCULAR 10*80T		Sus. by 695001-55631	
19		695001-55631	1	SAW, CIRCULAR 10*80T	255*80T*1.4 PD25		
20		898503-50030	1	SCABBARD KIT, BLADE		Sus. by P021-007470	
20		P021-007470	1	SCABBARD, BLADE			
21	+	898562-43230	1	FIXTURE, SCABBARD		Can be used on 898503-50030 only	

## 10. Loop Handle

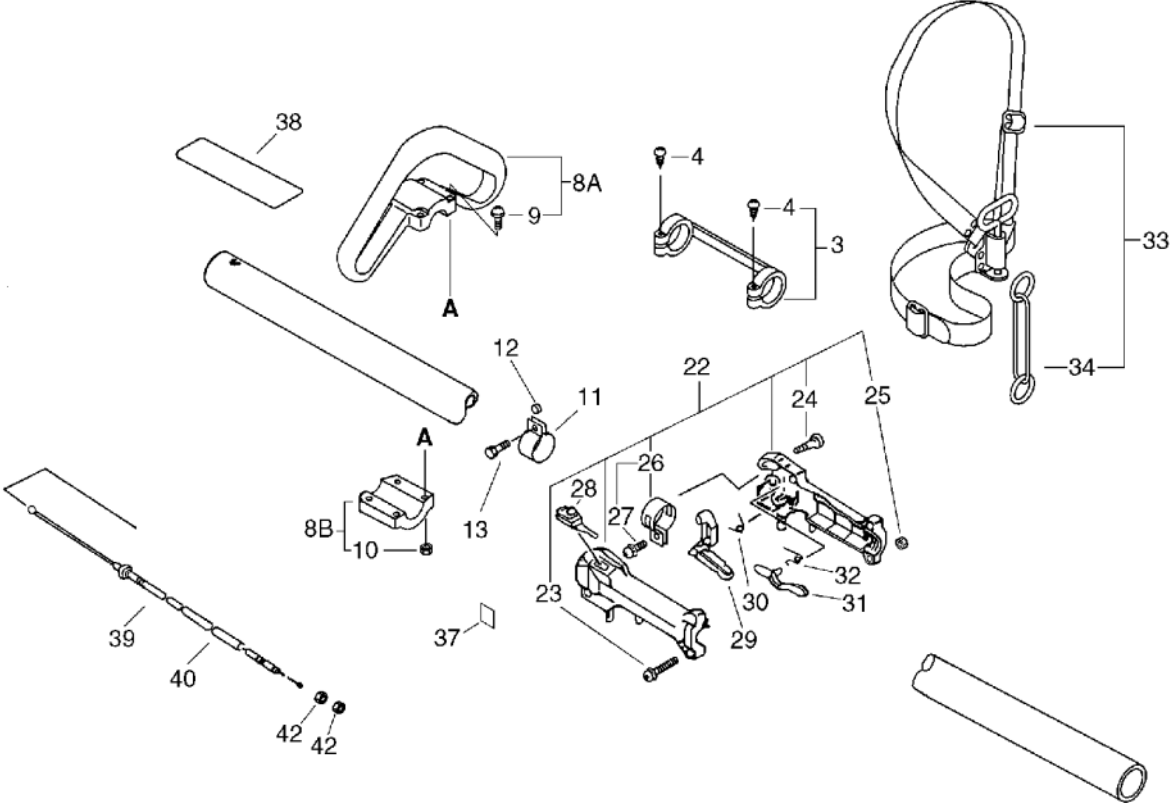
No.10



KEY	LV	PART NUMBER	Q'TY	DESCRIPTION	REMARKS	NOTE1	NOTE2
3		610281-42230	1	COLLER			
4	+	900253-04025	2	SCREW 4*25	4*25		
8		351201-06930	1	HANDLE ASSY, LOOP			
9	+	900242-05035	4	SCREW 5*35	5*35		
10	+	900500-00005	4	NUT 5	5		
11		301207-07530	1	HOOK			
12		699012-03330	1	SPACER			
13		900100-05018	1	BOLT 5*18	5*18		
22		351102-42230	1	GRIP ASSY, F-HANDLE			
23	+	900238-05025	1	SCREW 5*25	5*25		
24	+	900253-04018	3	SCREW TAPPING 4*18	4*18		
25	+	900500-00005	1	NUT 5	5		
26	+	301200-42230	1	HOOK ASSY			
27	++	900238-05012	1	SCREW 5*12	5*12		
28		163400-52430	1	SWITCH, IGNITION			
29		178010-42232	1	CONTROL, THROTTLE			
30		178043-42230	1	SPRING, THR. RETURN			
31		178012-42230	1	LOCKOUT, THROTTLE			
32		178013-42230	1	SPRING, THR. LOCKOUT			
33		301000-55230	1	HARNESS ASSY		Sus. by 301000-55231	
33		301000-55231	1	HARNESS ASY, SHOULDER			
34	+	301305-24330	1	LINK			
37		890157-39130	1	LABEL, SWITCH		Diuse	
38		890177-46730	1	LABEL, CAUTION		Sus. by 890617-43130	

10. Loop Handle

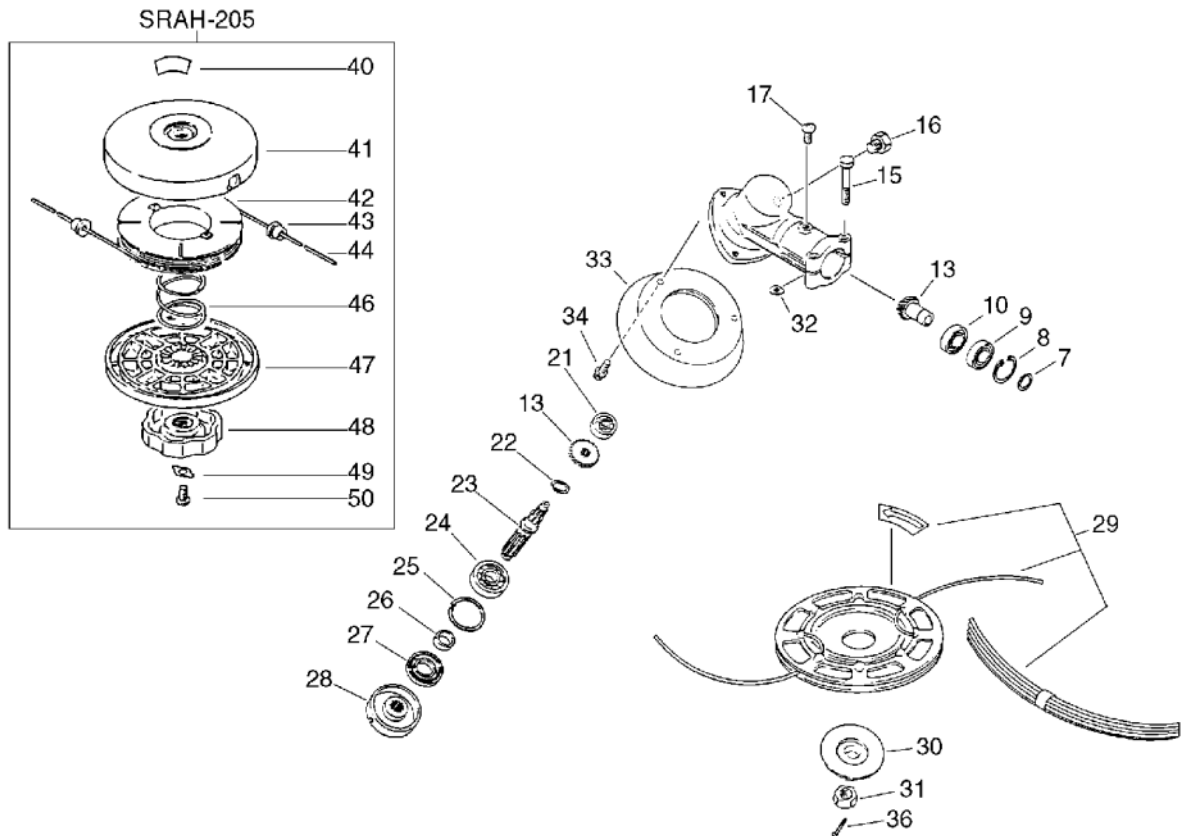
No.10



KEY	LV	PART NUMBER	Q'TY	DESCRIPTION	REMARKS	NOTE1	NOTE2
38		890617-63630	1	LABEL,CAUTION		Sus. by 890617-43130	
38		X505-000140	1	LABEL,CAUTION		Sus. by 890617-43130	
38		890617-43130	1	LABEL,CAUTION			
39		178001-52430	1	WIRE, THROTTLE			
40		178127-24030	1	TUBE	10*11*160		
42		900502-00006	2	NUT 6 (3N)	3N6		

**11. Gear Case(Loop Handle Type), Nylon Line Cutting Head**

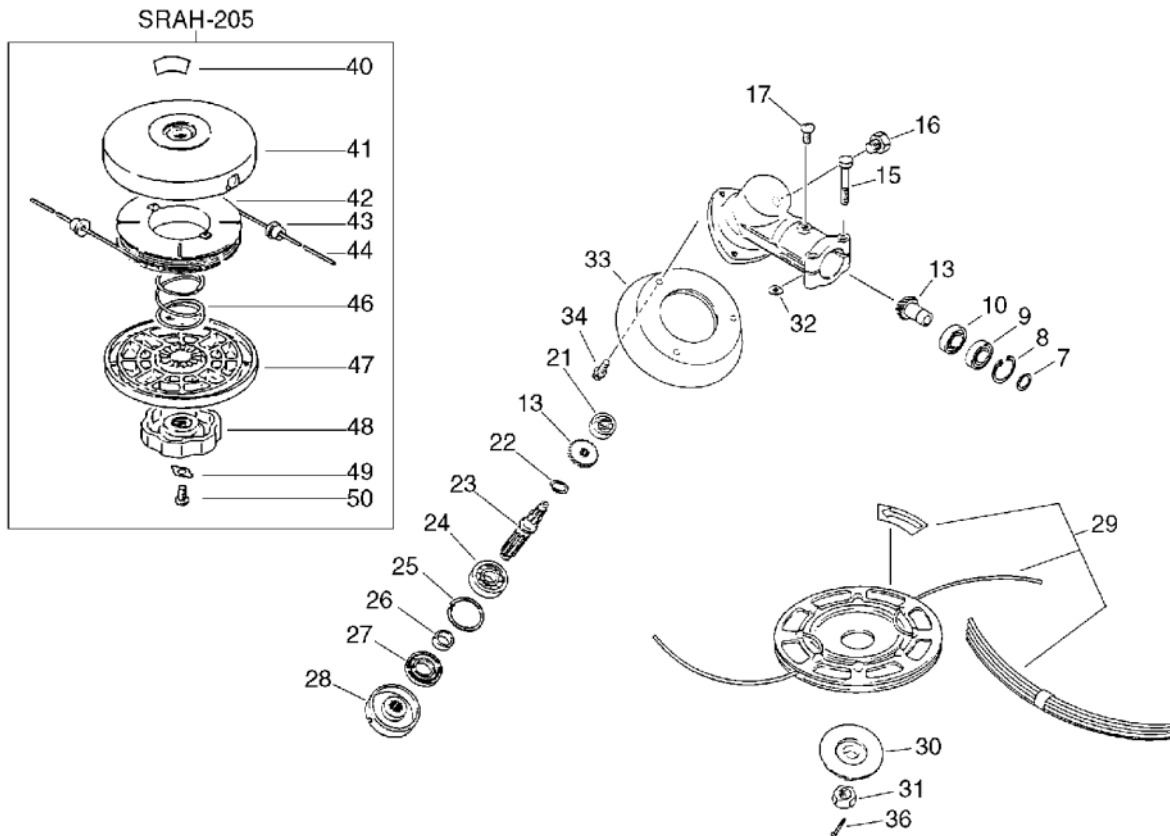
No.11



KEY	LV	PART NUMBER	Q'TY	DESCRIPTION	REMARKS	NOTE1	NOTE2
7		900701-00012	1	CIRCLIP 12	CS-12		
8		900702-00028	1	CIRCLIP 28	CR-28		
9		900807-06001	1	BEARING, BALL 6001	6001V(LB)		
10		900800-06001	1	BEARING, BALL 6001	6001		
13		610300-40430	1	GEAR SET			
15		900142-05030	2	BOLT 5*30 (W/W.SW)	5*30		
16		610434-50030	1	BOLT 8* 6		Sus. by 610434-50031	
16		610434-50031	1	BOLT 8* 8	M8*8		
17		900242-05010	1	SCREW 5*10	5*10		
21		900800-36000	1	BEARING, BALL 6000	6000/C3		
22		900706-00012	1	CIRCLIP 12	WR-12		
23		610310-07130	1	SHAFT, P.T.O.			
24		900810-06201	1	BEARING, BALL 6201	6201		
25		900702-00032	1	CIRCLIP 32	CR-32		
26		610315-07130	1	SPACER			
27		610413-07130	1	OILSEAL			
28		610313-47731	1	PLATE, ADAPTER (U)		D. shaft Sr/Nr 008551 and before/SRM-3150	
28		610313-07130	1	PLATE, ADAPTER (U)	PD 25.4	Sus. by 610313-07131	

# 11. Gear Case(Loop Handle Type), Nylon Line Cutting Head

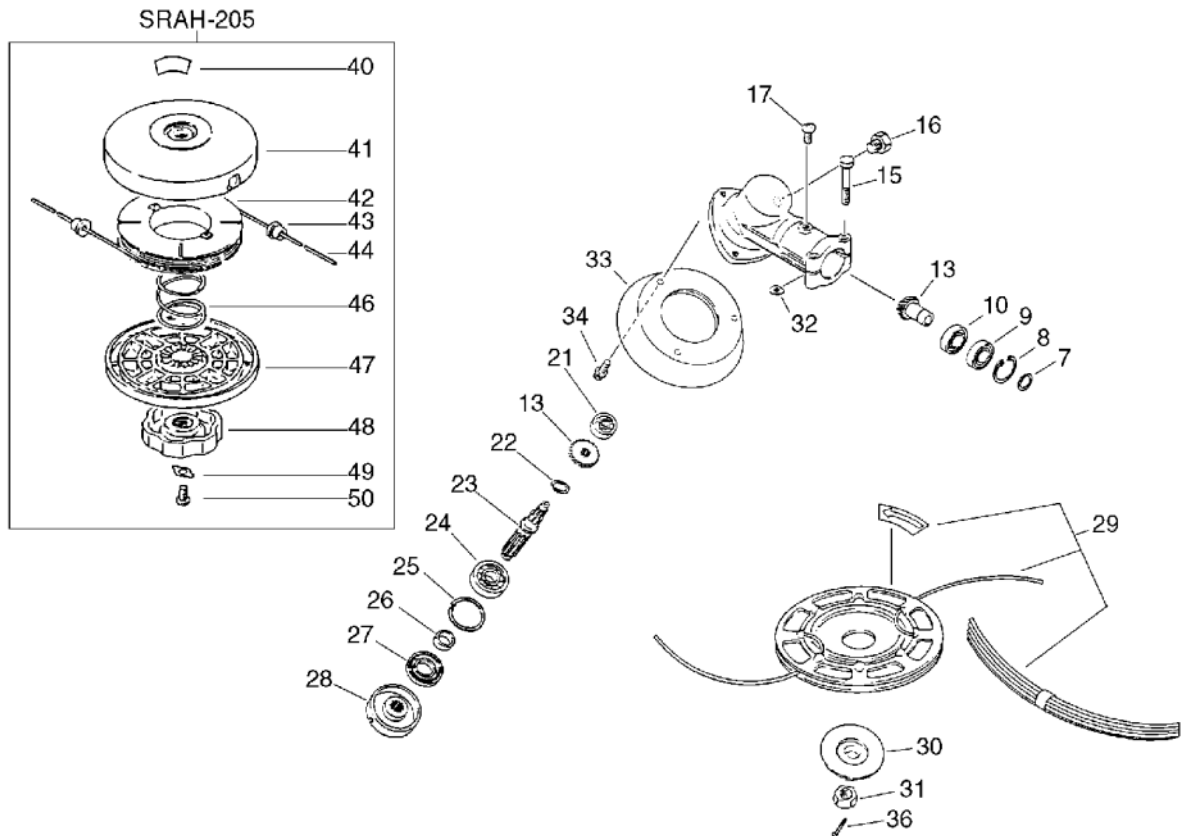
No.11



KEY	LV	PART NUMBER	Q'TY	DESCRIPTION	REMARKS	NOTE1	NOTE2
28		610313-07131	1	PLATE, ADAPTER (U)	PD 25.4	D. shaft Sr/Nr 008552 and after/SRM-3150	
28		610313-07130	1	PLATE, ADAPTER (U)	PD 25.4	Sus. by 610313- 07131	
28		610313-07131	1	PLATE, ADAPTER (U)	PD 25.4	D. shaft Sr/Nr 001001 and after/SRM-3600	
28		610313-07132	1	PLATE, ADAPTER (U)			
29		696200-55230	1	CUTTER ASSY, LINE		Sus. by 990109- 09040	
29		990109-09040	1	CUTTER BLACK			
30		610314-07130	1	PLATE, ADAPTER (L)		D. shaft Sr/Nr 008552 and after/SRM-3150	
30		610314-07130	1	PLATE, ADAPTER (L)		D. shaft Sr/Nr 001001 and after/SRM-3600	
31		900511-00010	1	NUT 10 (L-H)	10*P1.25	D. shaft Sr/Nr 008552 and after/SRM-3150	

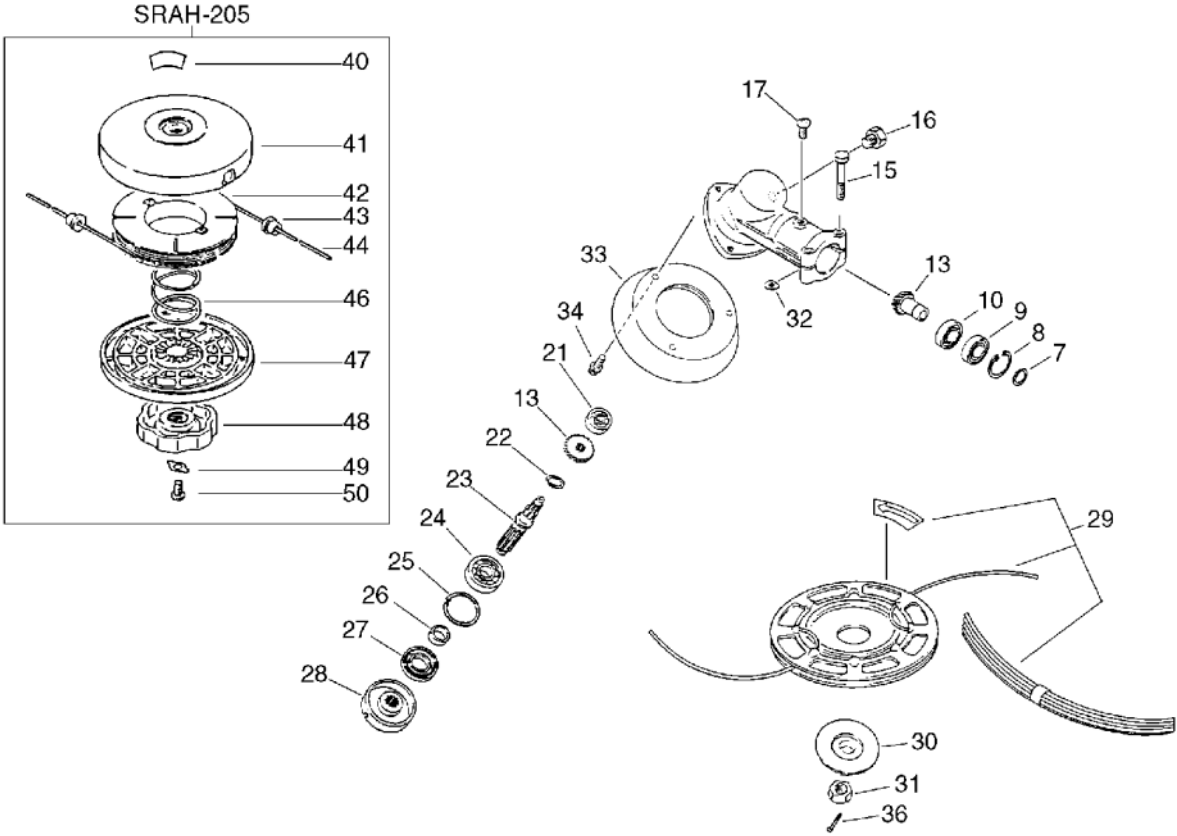
## 11. Gear Case(Loop Handle Type), Nylon Line Cutting Head

No.11



KEY	LV	PART NUMBER	Q'TY	DESCRIPTION	REMARKS	NOTE1	NOTE2
31		900511-00010	1	NUT 10 (L-H)	10*P1.25	D. shaft Sr/Nr 001001 and after/SRM-3600	
32		610239-04130	2	WASHER, SHIM			
33		610443-21232	1	PLATE, GUARD			
34		900242-05020	3	SCREW 5*20	5*20		
36		900300-20022	1	PIN, SPLIT 2*22	2*22	D. shaft Sr/Nr 008552 and after/SRM-3150	
36		900300-20022	1	PIN, SPLIT 2*22	2*22	D. shaft Sr/Nr 001001 and after/SRM-3600	
40		890617-46730	1	LABEL, CAUTION			
41		696205-06033	1	DRUM, CORD REEL			
42		696214-06830	1	REEL, CORD			
43		696212-06032	2	EYELET			
44		696215-22830	2	CORD, NYLON(2.4*2.5)			
46		696216-06030	1	SPRING			
47		696206-06032	1	COVER, DRUM (JY)			
48		696219-06031	1	NUT (JY)		Sus. by V299- 000260	
48		V299-000260	1	KNOB,FASTENER	M16X2		
49		696220-06030	1	STOPPER, NUT			

**11. Gear Case(Loop Handle Type), Nylon Line Cutting Head**  
**No.11**



KEY	LV	PART NUMBER	Q'TY	DESCRIPTION	REMARKS	NOTE1	NOTE2
50		900220-06010	1	SCREW 6*10	6*10		



## 12. Repair Kit

KEY	LV	PART NUMBER	Q'TY	DESCRIPTION	REMARKS	NOTE1	NOTE2
		123101-09560	1	GASKET/DIAPHRAGM KIT			
5-8	+	123125-09560	1	GASKET, FUEL PUMP			
5-9	+	123112-09560	1	DIAPHRAGM, FUEL PUMP			
5-30	+	123140-27230	1	GASKET,M. DIAPHRAGM			
5-31	+	123141-03930	1	DIAPHRAGM, METERING			
		123100-09560	1	REPAIR KIT			
5-8	+	123125-09560	1	GASKET, FUEL PUMP			
5-9	+	123112-09560	1	DIAPHRAGM, FUEL PUMP			
5-10	+	123126-10631	1	SCREEN, INLET			
5-17	+	123137-04260	1	VALVE, INLET NEEDLE			
5-19	+	123138-03930	1	PIN, METERING LEVER			
5-20	+	123123-03930	1	LEVER, METERING			
5-26	+	123146-10631	1	PLUG, WELCH			
5-28	+	123169-10630	1	RING, RETAINING			
5-29	+	123146-17330	1	PLUG, CUP			
5-30	+	123140-27230	1	GASKET,M. DIAPHRAGM			
5-31	+	123141-03930	1	DIAPHRAGM, METERING			

**Index**

<b>Patrs Number</b>	<b>Key No.</b>	<b>Patrs Number</b>	<b>Key No.</b>	<b>Patrs Number</b>	<b>Key No.</b>
100000-55430	1 - 19	123126-10631	5 - 10	131010-64931	4 - 18
100000-55431	1 - 19	123127-03930	5 - 13	131016-40930	4 - 21
100000-55830	1 - 19	123130-02960	5 - 33	131016-55830	4 - 21
100000-55831	1 - 19	123133-04260	5 - 6	131051-52430	4 - 20
100000-55832	1 - 19	123134-04260	5 - 7	131205-14930	4 - 12
100011-16131	1 - 20	123137-04260	12 - 5-17	131300-49930	4 - 5
100011-42230	1 - 20	123137-04260	5 - 17	131300-56430	4 - 5
100012-16131	1 - 23	123138-03930	12 - 5-19	131910-55430	4 - 16
100013-27430	1 - 21	123138-03930	5 - 19	131920-55430	4 - 17
100014-53630	1 - 24	123139-03930	5 - 18	132010-13930	4 - 8
100015-03930	1 - 22	123140-27230	12 - 5-30	132010-56330	4 - 9
100015-03931	1 - 22	123140-27230	12 - 5-30	132012-51030	4 - 9
100100-55430	1 - 25	123140-27230	5 - 30	132013-09820	4 - 11
100142-12330	2 - 12	123141-03930	12 - 5-31	132115-46730	4 - 10
100204-55430	1 - 30	123141-03930	12 - 5-31	145510-55430	3 - 25
100213-05530	1 - 31	123141-03930	5 - 31	145610-55230	3 - 26
100215-03930	1 - 32	123142-03930	5 - 32	150112-44330	2 - 15
100242-55430	1 - 34	123142-09560	5 - 2	150611-14530	2 - 16
101010-55430	1 - 10	123146-10631	12 - 5-26	152626-55430	2 - 14
101034-55630	1 - 5	123146-10631	5 - 26	152801-55430	2 - 13
101034-55830	1 - 5	123146-17330	12 - 5-29	159010-10230	2 - 20
101511-55630	1 - 45	123146-17330	5 - 29	159011-03432	2 - 19
101514-55630	1 - 14	123149-26030	5 - 35	159012-01620	2 - 17
101531-55230	1 - 16	123168-10630	5 - 27	159015-55230	2 - 18
123000-55630	3 - 8	123169-10630	12 - 5-28	159902-55230	1 - 11
123000-55630	5 -	123169-10630	5 - 28	162010-55630	2 - 22
123100-09560	12 -	123171-35630	5 - 4	162014-52930	2 - 23
123101-09560	12 -	123172-26030	5 - 34	163400-48030	7 - 12
123110-43130	5 - 1	123173-07930	5 - 36	163400-52430	10 - 28
123112-09560	12 - 5-9	123181-09560	5 - 3	175005-49930	1 - 40
123112-09560	12 - 5-9	129011-52130	3 - 14	175009-46431	2 - 7
123112-09560	5 - 9	129011-52131	3 - 14	175018-27931	2 - 6
123113-47530	5 - 12	130010-05960	3 - 7	175018-27932	2 - 6
123114-03930	5 - 15	130016-55430	3 - 3	175018-49931	2 - 6
123114-38830	5 - 15	130017-55630	3 - 6	175018-49932	2 - 6
123116-23230	5 - 16	130111-00530	4 - 6	175046-46430	2 - 5
123117-55630	5 - 11	130301-51730	3 - 10	175048-05530	2 - 8
123118-24430	5 - 24	130302-51731	3 - 18	177200-55630	2 - 34
123119-22130	5 - 22	130302-52130	3 - 18	177200-55631	2 - 34
123120-09560	5 - 23	130302-52131	3 - 18	177202-41030	2 - 30
123121-22130	5 - 25	130310-51730	3 - 16	177214-41030	2 - 36
123122-06530	5 - 21	130406-16331	3 - 20	177215-43130	2 - 37
123123-03930	12 - 5-20	130406-52130	3 - 20	177218-40630	2 - 33
123123-03930	5 - 20	130406-52131	3 - 20	177220-40630	2 - 38
123124-43130	5 - 5	131004-08960	4 - 19	177226-01110	2 - 39
123125-09560	12 - 5-8	131004-46730	4 - 19	177227-42030	2 - 40
123125-09560	12 - 5-8	131010-55430	4 - 18	177228-11120	2 - 41
123125-09560	5 - 8	131010-58130	4 - 18	177228-27030	2 - 41
123126-10631	12 - 5-10	131010-64930	4 - 18	177234-40630	2 - 32

**Index**

<b>Patrs Number</b>	<b>Key No.</b>	<b>Patrs Number</b>	<b>Key No.</b>	<b>Patrs Number</b>	<b>Key No.</b>
177236-40630	2 - 35	610313-07130	11 - 28	699016-54530	6 - 39
178001-47530	7 - 14	610313-07130	11 - 28	699200-07131	9 - 8
178001-52430	10 - 39	610313-07130	8 - 28	699226-05430	9 - 10
178010-05960	7 - 11	610313-07131	11 - 28	699227-04630	9 - 12
178010-42232	10 - 29	610313-07131	11 - 28	699228-08930	9 - 13
178012-05960	7 - 9	610313-07131	8 - 28	890112-55630	1 - 18
178012-42230	10 - 31	610313-07132	11 - 28	890115-55430	1 - 18
178013-35631	7 - 10	610313-07132	8 - 28	890118-49330	2 - 45
178013-42230	10 - 32	610313-47731	11 - 28	890121-47530	3 - 17
178043-42230	10 - 30	610314-07130	11 - 30	890152-04930	6 - 12
178111-04930	7 - 13	610314-07130	11 - 30	890157-39130	10 - 37
178121-43230	7 - 34	610314-07130	8 - 29	890157-39130	7 - 4
178127-24030	10 - 40	610315-07130	11 - 26	890177-46730	10 - 38
178127-47530	7 - 15	610315-07130	8 - 26	890617-43130	10 - 38
178510-51730	3 - 9	610333-07130	9 - 9	890617-43130	7 - 28
178515-05060	3 - 13	610336-07131	9 - 16	890617-46730	11 - 40
178516-00830	3 - 12	610400-40430	8 - 6	890617-46830	7 - 28
178810-05230	3 - 11	610400-40431	8 - 6	890617-63630	10 - 38
301000-55230	10 - 33	610413-07130	11 - 27	895112-00330	4 - 32
301000-55231	10 - 33	610413-07130	8 - 27	895123-03830	4 - 33
301001-52130	7 - 22	610434-50030	11 - 16	895410-08030	4 - 34
301015-05330	7 - 35	610434-50030	8 - 16	895610-00130	4 - 31
301200-05230	7 - 30	610434-50031	11 - 16	897518-01131	4 - 35
301200-42230	10 - 26	610434-50031	8 - 16	898502-01130	4 - 30
301207-07530	10 - 11	610443-21232	11 - 33	898503-50030	9 - 20
301210-04630	7 - 36	610443-21232	8 - 33	898562-43230	9 - 21
301300-24830	7 - 22	610903-55630	1 - 48	900100-05012	7 - 31
301300-24831	7 - 22	610910-51830	1 - 47	900100-05018	10 - 13
301305-24330	10 - 34	610910-55630	1 - 47	900105-05060	3 - 27
305110-55630	4 - 22	695001-55630	9 - 19	900141-05012	9 - 15
351102-42230	10 - 22	695001-55631	9 - 19	900142-05025	6 - 38
351102-47530	7 - 5	696001-55630	9 - 18	900142-05030	11 - 15
351110-52430	7 - 23	696001-55631	9 - 18	900142-05030	8 - 15
351201-06930	10 - 8	696200-55230	11 - 29	900142-06030	7 - 21
351202-51430	7 - 16	696205-06033	11 - 41	900162-04014	2 - 44
351210-52430	7 - 18	696206-06032	11 - 47	900162-05012	1 - 17
351301-04130	7 - 19	696212-06032	11 - 43	900162-05012	1 - 50
351311-22430	7 - 24	696214-06830	11 - 42	900162-05012	3 - 29
352325-55230	1 - 12	696215-22830	11 - 44	900162-05012	4 - 23
437210-11131	4 - 7	696216-06030	11 - 46	900162-05020	1 - 4
610011-06230	6 - 10	696219-06031	11 - 48	900162-05020	1 - 15
610206-55630	6 - 13	696220-06030	11 - 49	900162-05020	1 - 46
610239-04130	11 - 32	699001-50430	6 - 29	900162-05020	2 - 21
610239-04130	8 - 32	699010-54430	6 - 30	900162-05020	4 - 15
610281-42230	10 - 3	699011-43130	6 - 31	900162-05020	7 - 17
610300-40430	11 - 13	699012-03330	10 - 12	900162-05025	1 - 49
610300-40430	8 - 13	699013-52130	6 - 32	900162-05025	3 - 5
610310-07130	11 - 23	699015-52130	6 - 37	900162-05025	7 - 20
610310-07130	8 - 23	699016-52130	6 - 39	900162-05030	1 - 35

**Index**

<b>Patrs Number</b>	<b>Key No.</b>	<b>Patrs Number</b>	<b>Key No.</b>	<b>Patrs Number</b>	<b>Key No.</b>
900162-05057	3 - 15	900720-00004	1 - 13		
900220-05030	7 - 7	900800-06001	11 - 10		
900220-06010	11 - 50	900800-06001	8 - 10		
900238-05010	2 - 24	900800-36000	11 - 21		
900238-05012	10 - 27	900800-36000	8 - 21		
900238-05025	10 - 23	900807-06001	1 - 42		
900242-05010	11 - 17	900807-06001	11 - 9		
900242-05010	8 - 17	900807-06001	8 - 9		
900242-05012	6 - 40	900810-06201	11 - 24		
900242-05014	6 - 36	900810-06201	8 - 24		
900242-05018	6 - 33	900810-36201	1 - 33		
900242-05020	11 - 34	900814-06202	9 - 11		
900242-05020	8 - 34	94035-36201	1 - 33		
900242-05035	10 - 9	990109-09040	11 - 29		
900246-03025	7 - 6	A130-000600	1 - 5		
900253-04018	10 - 24	A130-000601	1 - 5		
900253-04025	10 - 4	A553-000000	2 - 7		
900300-20022	11 - 36	C536-000030	8 - 33		
900300-20022	11 - 36	P021-007410	1 - 19		
900300-20022	8 - 31	P021-007470	9 - 20		
900500-00005	10 - 10	V299-000260	11 - 48		
900500-00005	10 - 25	V471-001190	4 - 8		
900500-00005	3 - 4	V471-001210	4 - 7		
900500-00005	6 - 35	X505-000140	10 - 38		
900500-00005	7 - 8	X602-000020	4 - 34		
900500-00005	7 - 8				
900502-00006	10 - 42				
900502-00006	7 - 32				
900502-00008	2 - 9				
900511-00010	11 - 31				
900511-00010	11 - 31				
900511-00010	8 - 30				
900600-00005	3 - 28				
900600-00008	2 - 11				
900603-00005	6 - 34				
900603-00006	7 - 33				
900605-00008	2 - 10				
900700-00004	2 - 31				
900701-00012	1 - 44				
900701-00012	11 - 7				
900701-00012	8 - 7				
900702-00028	1 - 41				
900702-00028	11 - 8				
900702-00028	8 - 8				
900702-00032	11 - 25				
900702-00032	8 - 25				
900706-00012	11 - 22				
900706-00012	8 - 22				
900720-00003	3 - 19				

# YAMABIKO CORPORATION

7-2 SUEHIROCHO 1-CHOME, OHME, TOKYO 198-8760, JAPAN  
PHONE: 81-428-32-6118. FAX: 81-428-32-6145.



3600  
No.