

# SRM-300TES/U

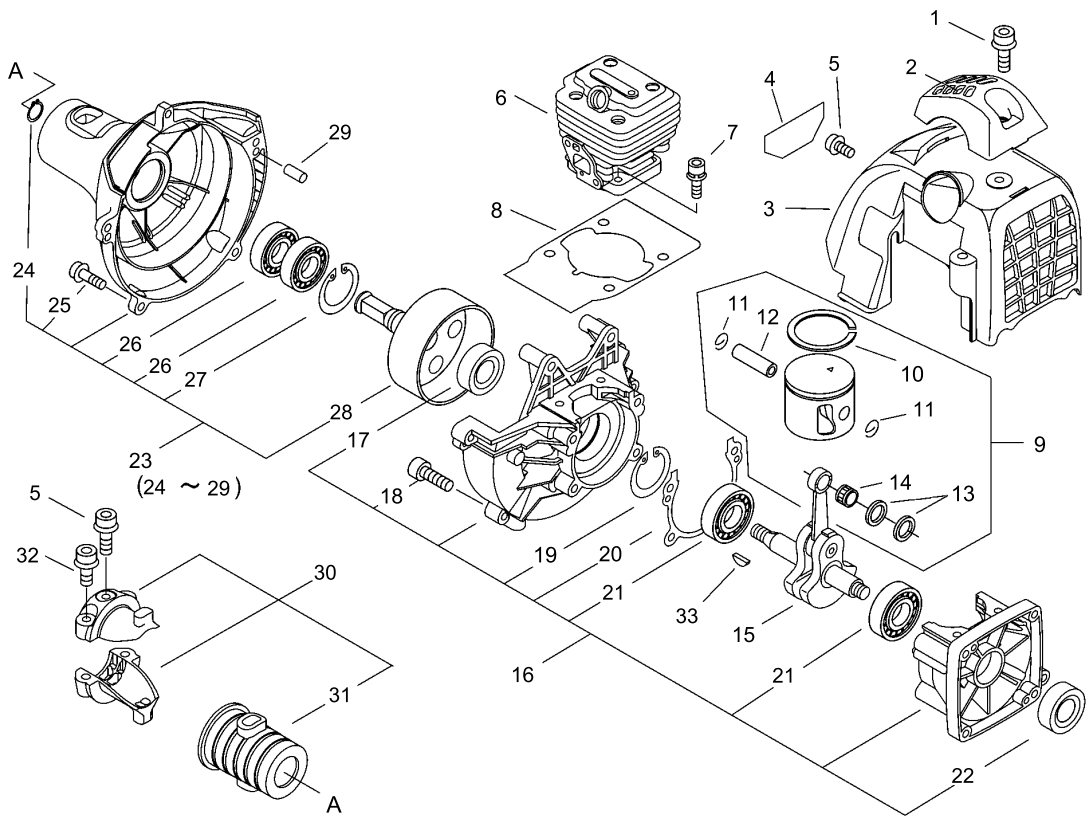
Published:05/16/2017

## TABLE OF CONTENTS

---

CYLINDER, CRANKCASE, PISTON .....	1
STARTER, MAGNETO, CLUTCH .....	3
AIR CLEANER, CARBURETOR, MUFFLER.....	5
FUEL TANK.....	7
U-HANDLE .....	9
GEAR CASE, CUTTER .....	11
SHIELD .....	13
CARBURETOR.....	15

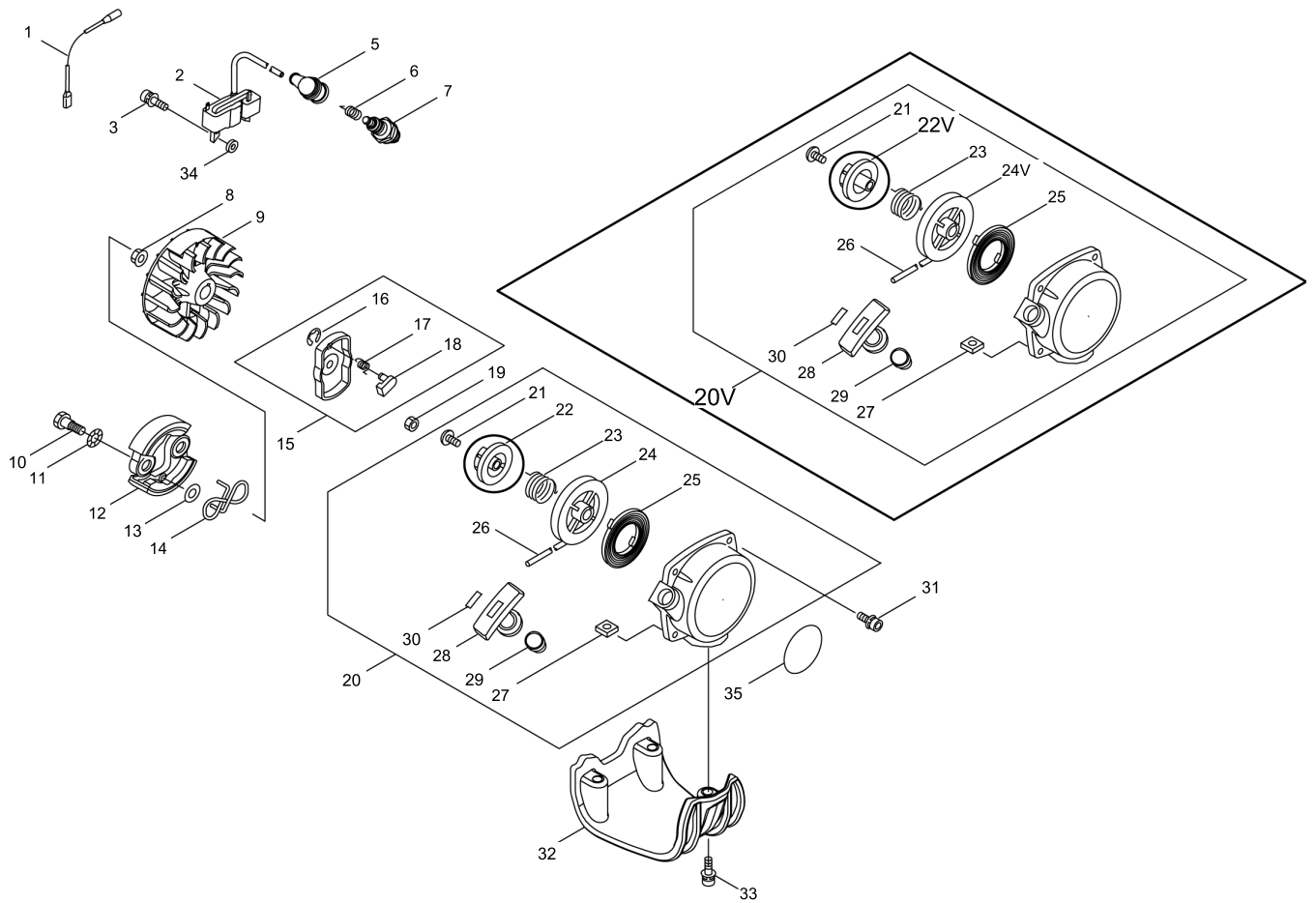
## CYLINDER, CRANKCASE, PISTON



## CYLINDER, CRANKCASE, PISTON

KEY NO	LV(+)	Part No	Description	Qty	Standard
1		V203-000290	BOLT,5	1	
2		A162-000110	GUARD, TOP	1	
3		A160-000800	COVER, CYLINDER	1	
4		X547-001810	LABEL, ECHO	1	
5		91121-05010	BOLT, FLANGE	2	10.9 SILVER
6		A130-000800	CYLINDER	1	
7		91128-05025	BOLT HSH	4	
8		V100-000201	GASKET, CYL	1	
9		P021-010730	PISTON KIT	1	
10	+	A101-000170	RING, PISTON	1	34*1.5*1.5
11	+	100015-03931	CIRCLIP, PISTON PIN	2	
12	+	100013-35430	PIN, PISTON	1	6*9*27.8
13	+	V306-000200	WASHER, CIRCULAR 8	2	9.2*14*T0.5
14	+	100012-16131	BEARING, NEEDLE	1	
15		A011-000471	CRANKSHAFT, ASY	1	
16		P021-010741	CRANKCASE KIT	1	
17	+	100212-03930	OILSEAL	1	ISCX12*32*5.5
18	+	91128-05028	BOLT HSH	4	
19	+	900702-00032	CIRCLIP 32	1	CR-32
20	+	V102-000030	GASKET, CRANKCASE	1	T:0.5
21	+	94035-36201	BEARING BALL	2	6201X3JR2C3
22	+	V505-000020	SEAL, OIL 12	1	12*22*7
23		P021-014330	COVER ASY, FAN	1	
24	+	900701-00012	CIRCLIP 12	1	CS-12
25	+	91121-05020	BOLT, FLANGE	4	10.9 SILVER
26	+	900807-06001	BEARING, BALL 6001	2	6001V(LB)
27	+	900702-00028	CIRCLIP 28	1	CR-28
28	+	A556-000430	DRUM, CLUTCH	1	
29	+	100215-03930	PIN, DOWEL	2	
30		P021-013900	FIXTURE, MAIN PIPE	1	
31	+	V420-001400	CUSHION	1	
32		91121-05025	BOLT, FLANGE	2	10.9 SILVER
33		100142-12330	KEY, WOODRUFF	1	

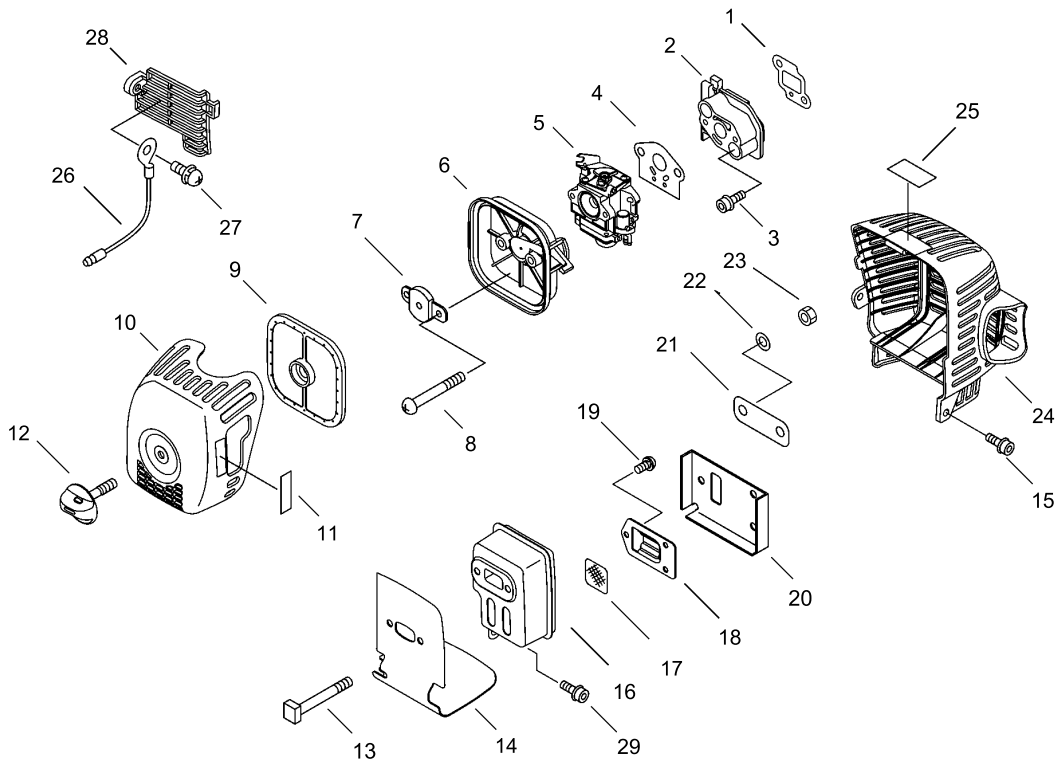
## STARTER, MAGNETO, CLUTCH



## STARTER, MAGNETO, CLUTCH

KEY NO	LV(+)	Part No	Description	Qty	Standard
1		V485-000810	LEAD	1	L215
2		A411-000312	COIL, IGNITION	1	ID#C10415
3		900162-05020	BOLT, H.S. 5*20	2	5*20 W,SW
5		159012-03433	CAP, SPARK PLUG	1	
6		159011-03432	COIL, SPARK PLUG	1	
7		A425-000000	SPARKPLUG	1	BPMR8Y
8		900515-00008	NUT, FLANGE 8	1	8
9		A409-000290	ROTOR, MAGNETO	1	
10		175046-56030	SHAFT, CLUTCH	2	
11		175049-56030	WASHER	2	8.5*16*0.5
12		A553-000050	ARM, CLUTCH	2	
13		175048-05530	WASHER (I)	2	6.2*19*1.0
14		A566-000020	SPRING, CLUTCH	1	
15		A052-000180	PULLEY,ASM STARTER	1	
16	+	P022-002100	E-RING	2	4
17	+	P022-006510	SPRING, RETURN	2	
18	+	P022-006850	PAWL, STARTER	2	
19		900502-00008	NUT 8 (3N)	1	3N8
20		A051-001211	STARTER,RECOIL ASY	1	
20V		A051-001212	STARTER,RECOIL ASY	1	
21	+	177236-61830	SCREW	1	
22	+	P022-008280	PLATE, CAM(TI12-511)	1	
22V	+	P022-033310	PLATE, CAM	1	
23	+	P022-008270	SPRING,DAMPER	1	
24	+	A506-000080	REEL,ROPE	1	
24V	+	P022-033320	DRUM, STARTER	1	
25	+	177220-40630	SPRING, REWIND	1	
26	+	P022-022110	ROPE, STARTER	1	
27	+	P022-022010	NUT	1	5
28	+	177228-27030	GRIP, STARTER	1	
29	+	177227-42030	GUIDE, ROPE	1	
30	+	177246-11120	CLIP, STARTER ROPE	1	
36	+	P022-039980	STARTER CASE	1	
31		V203-000280	BOLT,5	4	
32		A175-000040	STAND	2	
33		91121-05020	BOLT, FLANGE	3	10.9 SILVER
34		V323-000070	WASHER,CIRCULAR 5	2	5.2*10*3
35		X502-000330	LABEL,ECHO	1	ECHO

# AIR CLEANER, CARBURETOR, MUFFLER

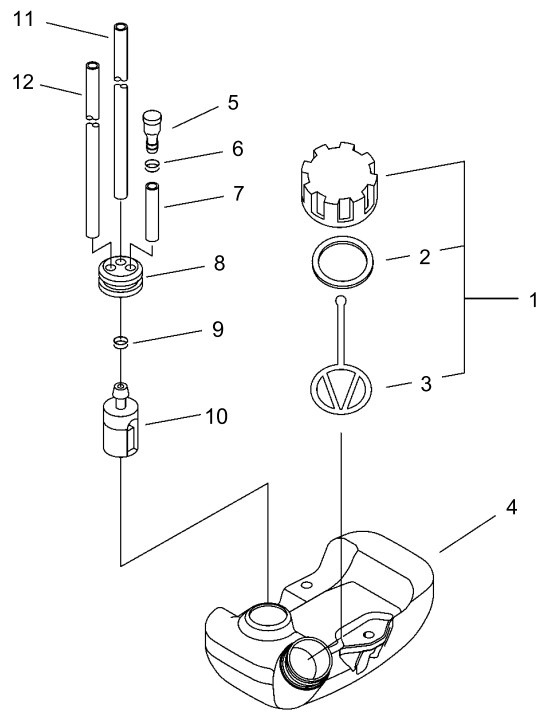


## AIR CLEANER, CARBURETOR, MUFFLER

KEY NO	LV(+)	Part No	Description	Qty	Standard
1		V103-000380	GASKET,INTAKE	1	T0.5
2		A200-000270	INSULATOR, INTAKE	1	PM9685L
3		900106-05030	BOLT, H.S.H. 5*30	2	5*30
4		V103-000160	GASKET,INTAKE	1	
5		A021-001340	CARBURETOR, DIAPHRAGM	1	WYK-233A
6		P021-010760	CASE,CLEANER ASY	1	
7		A244-000070	PLATE,PREVENT	1	
8		900242-05060	SCREW 5*60	2	5*60
9		A226-000471	ELEMENT, AIR FILTER	1	
10		A232-000360	LID,CLEANER	1	ID #1320
11		890332-52730	LABEL, CHOKE	1	
12		V299-000250	KNOB,FASTENER	1	
13		V203-000120	BOLT,5	2	L=60
14		V104-000810	GASKET,EXHAUST	1	NP7002 T:1.0
15		V203-000280	BOLT,5	1	
16		A300-000640	MUFFLER, EXHAUST	1	CAT25X26DEF STAY
17		145862-40630	SCREEN, MUFFLER	1	
18		A313-000860	GUIDE, EXHAUST	1	
19		91367-04010	SCREW	3	4*10/SW(SUS)
20		V104-000790	GASKET,EXHAUST	1	
21		V150-001760	PLATE,EYE	1	
22		92280-05000	WASHER, NORD-LOCK	2	NL5 5.4*9*1.8
23		900500-00005	NUT 5	2	5
24		A320-000400	COVER,MUFFLER	1	
25		X505-002310	LABEL,CAUTION	1	HOT CAUTION
26		162014-27230	LEAD, GROUND	1	
27		900242-05010	SCREW 5*10	1	5*10
28		A127-000150	COVER,DUST	1	
29		900106-05016	BOLT, H.S. 5*16	1	5*16



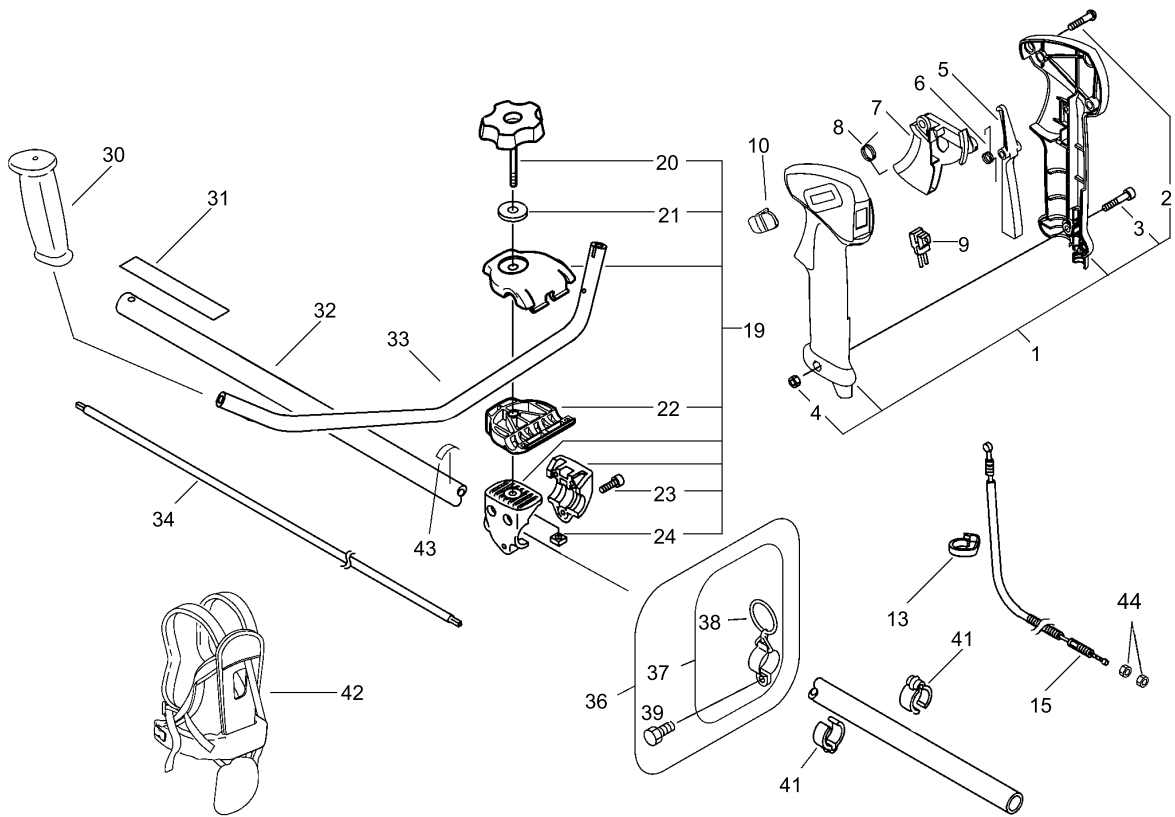
# FUEL TANK



## FUEL TANK

KEY NO	LV(+)	Part No	Description	Qty	Standard
1		P021-012210	CAP,FUEL ASY	1	
2	+	131016-55830	GASKET, FUEL CAP	1	
3	+	A365-000060	CONNECTOR,CAP	1	L=123
4		A350-000500	TANK, FUEL	1	
5		A356-000030	VALVE,CHECK	1	
6		132013-26630	CLIP	1	6.5MM
7		V471-000110	PIPE	1	3*6*115
8		132115-55930	GROMMET, FUEL	1	
9		132013-09820	CLIP	1	6MM
10		131205-19831	STRAINER, FUEL	1	
11		V470-000580	PIPE	1	3*5*195
12		132012-56030	PIPE	1	3*6*80 YL

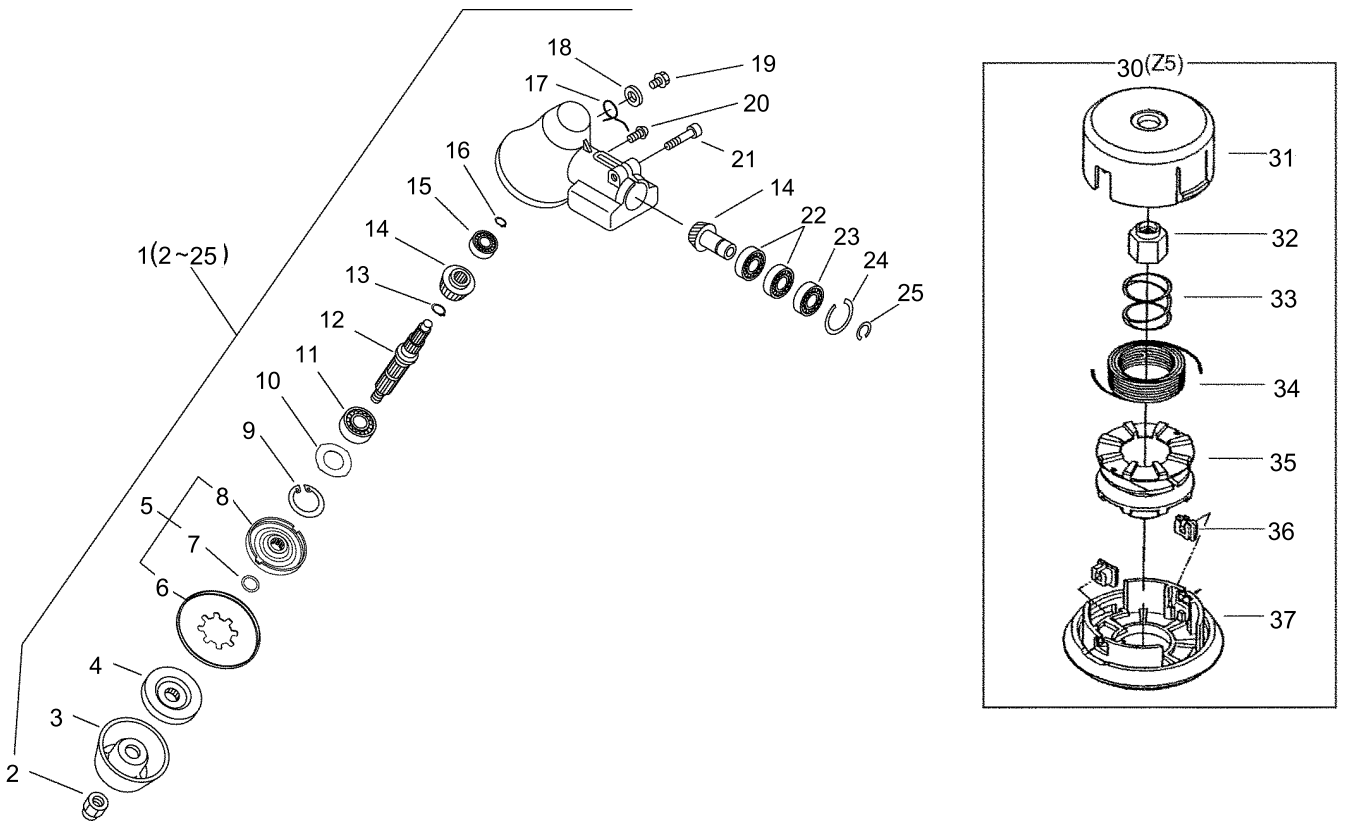
U-HANDLE



## U-HANDLE

KEY NO	LV(+)	Part No	Description	Qty	Standard
1		P021-014090	GRIP ASY,F-HANDLE	1	
2	+	900256-04016	SCREW 4*16	3	4*16
3	+	91119-05030	BOLT	1	
4	+	900500-00005	NUT 5	1	5
5		C460-000111	LOCKOUT, THROTTLE	1	70MM
6		V452-000350	SPRING,TORSION	1	
7		C450-000270	CONTROL, THROTTLE	1	
8		V452-000360	SPRING,TORSION	1	
9		P021-042300	SWITCH,ON OFF	1	
10		C463-000020	KNOB, LATCH	1	
13		159112-09961	CLIP	1	
15		V430-002080	CABLE,BOWDEN	1	
19		P021-012821	FIXTURE,ASY HANDLE	1	SRM-2655SI
20	+	V299-000110	KNOB,FASTENER	1	
21	+	605014-54230	WASHER	1	
22	+	C423-000042	FIXTURE,HANDLE	1	
23	+	91118-05030	BOLT	3	
24	+	900565-50008	NUT	1	8*1.25
30		C403-000031	GRIP,HANDLE	1	
31		890617-43130	LABEL,CAUTION	1	
32		C050-000870	PIPE, MAIN	1	
33		C400-000211	HANDLE,FRONT	1	
34		C504-000050	SHAFT,DRIVE	1	7*1540
36		P021-013580	RING, HARNESS KIT	1	
37	+	301205-21330	HOOK	1	
38	++	301015-05330	HOOK, BAND	1	
39	+	91121-05012	BOLT, FLANGE	1	10.9 SILVER
41		224924-52130	CLIP	2	25MM
42		C062-000192	HARNESS,SHOULDER	1	
43		890152-04930	LABEL, CAUTION	1	
44		900502-00006	NUT 6 (3N)	2	3N6

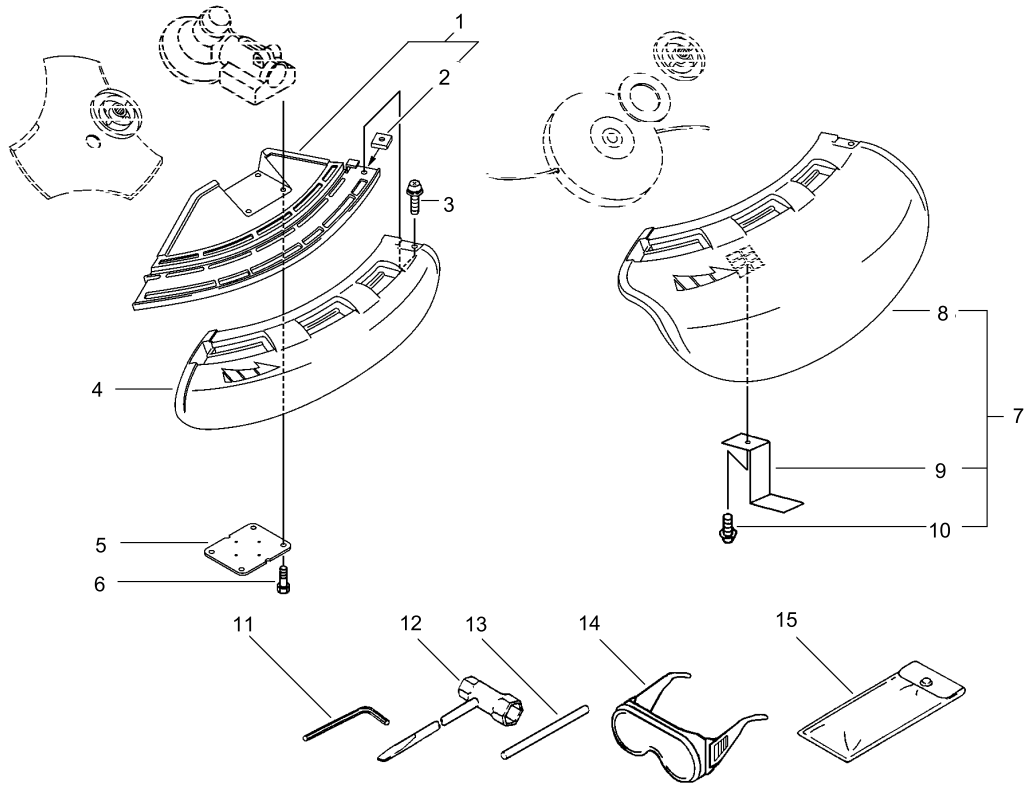
# GEAR CASE, CUTTER



## GEAR CASE, CUTTER

KEY NO	LV(+)	Part No	Description	Qty	Standard
1		P021-035820	HOUSING ASY,GEAR	1	
2	+	610320-52130	NUT 10	1	
3	+	699229-56830	PLATE, COVER	1	
4	+	610314-52130	PLATE, ADAPTER (L)	1	
5	+	C535-000920	FIXTURE, BLADE	1	
6	++	610352-56830	PLATE, CUP	1	
7	++	900720-00012	O-RING 12	1	P-12
8	++	C535-000930	FIXTURE, BLADE	1	
9	+	900702-00042	CIRCLIP 42	1	CR-42
10	+	V313-000090	WASHER,CIRCULAR 20	1	
11	+	900812-06302	BEARING	1	BB6302 LLU, DDU
12	+	C534-000850	SHAFT, GEAR	1	
13	+	900706-00012	CIRCLIP 12	1	WR-12
14	+	V000-000110	GEAR SET, BEVEL	1	
15	+	900810-00629	BEARING, BALL 629	1	629
16	+	900701-00009	CIRCLIP 9	1	CS-9
17	+	610473-52131	SPRING	1	
18	+	900603-50008	WASHER	1	8.5*18*0.8T
19	+	610434-50031	BOLT 8* 8	1	M8*8
20	+	900242-05010	SCREW 5*10	1	5*10
21	+	91118-06025	BOLT	1	
22	+	900855-06900	BEARING, BALL 6900	2	6900
23	+	900858-06900	BEARING, BALL 6900Z	1	6900Z
24	+	900702-00022	CIRCLIP 22	1	CR-22
25	+	900706-00010	SNAP RING	1	WR-10
30		X047-000321	CUTTER,ASM LINE	1	
31	+	P022-010420	HOUSING	1	
32	+	P022-023180	NUT	1	
33	+	P022-010370	SPRING	1	
34	+	P022-010380	NYLON CODE	1	
35	+	P022-010400	BOBBIN	1	
36	+	P022-000710	EYELET	2	T4
37	+	P022-010410	COVER	1	

# SHIELD

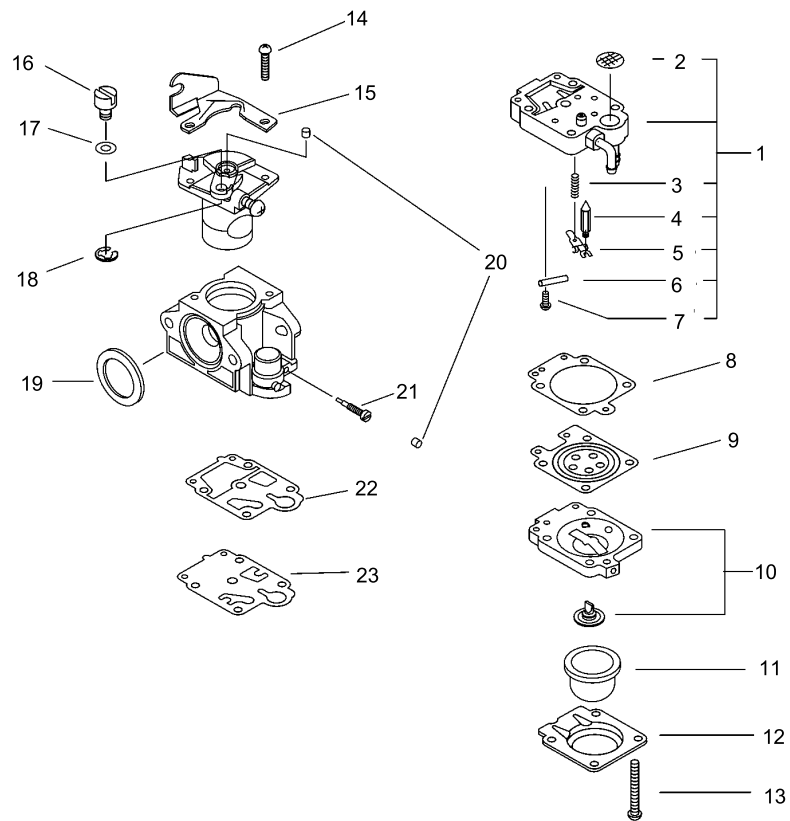


## SHIELD

KEY NO	LV(+)	Part No	Description	Qty	Standard
1		C550-000100	SHIELD,BLADE	1	
2	+	900565-00005	NUT	1	5
3		91118-05018	BOLT	1	CM-5*18
4		C550-000090	SHIELD,BLADE	1	
5		699013-56830	PLATE, SHIELD	1	
6		91118-05025	BOLT	4	CM-5*25
7		P021-013770	SHIELD KIT	1	
8	+	C550-000080	SHIELD,BLADE	1	
9	+	C554-000030	KNIFE, CORD	1	17INCH
10	+	900252-05012	SCREW 5*12	1	5*12
11		895610-00130	L-WRENCH (4MM)	1	
12		X602-000020	TOOL,WRENCH	1	17*19 L200
13		X606-000080	TOOL,BAR	1	5*120
14		X690-000050	GOGGLE	1	GOGGLE + NOTE
15		898510-39130	BAG, TOOL	1	



# CARBURETOR



## CARBURETOR

KEY NO	LV(+)	Part No	Description	Qty	Standard
		A021-001340	CARBURETOR, DIAPHRAGM	1	WYK-233A
1	+	P003-000440	BODY ASY, PUMP	1	
2	++	123126-10631	SCREEN, INLET	1	
3	++	P003-000450	SPRING, METER. LEVER	1	
4	++	123137-19830	VALVE, INLET NEEDLE	1	
5	++	123123-03930	LEVER, METERING	1	
6	++	123138-03930	PIN, METERING LEVER	1	
7	++	123139-05560	SCREW, M. LEVER PIN	1	
8	+	123140-05560	GASKET, M. DIAPHRAGM	1	
9	+	P003-001850	DIAPHRAGM, METERING	1	
10	+	123180-05560	BODY, AIR PURGE	1	
11	+	123181-40630	PUMP, PRIMER	1	
12	+	123142-05560	COVER, PRIMER PUMP	1	
13	+	123110-05560	SCREW, PUMP COVER	4	
14	+	123114-40630	SCREW	2	
15	+	P003-000180	BRACKET CABLE	1	
16	+	123172-45130	SWIVEL	1	
17	+	123149-54230	WASHER	1	
18	+	123173-07930	CLIP	1	
19	+	123143-12110	RING, PACKING	1	
20	+	A259-000000	CAP,LIMITER	2	WALBRO 88-265
21	+	P003-001130	NEEDLE, HIGH SPEED	1	
22	+	P003-000100	GASKET, PUMP	1	
23	+	123112-40630	DIAPHRAGM, PUMP	1	

# NUMERICAL PARTS INDEX

Part No	Part description	Page	Part No	Part description	Page	Part No	Part description	Page
100012-16131	BEARING, NEEDLE	2	610314-52130	PLATE, ADAPTER (L)	12	91118-06025	BOLT	12
100013-35430	PIN, PISTON	2	610320-52130	NUT 10	12	91119-05030	BOLT	10
100015-03931	CIRCLIP, PISTON PIN	2	610352-56830	PLATE, CUP	12	91121-05010	BOLT, FLANGE	2
100142-12330	KEY, WOODRUFF	2	610434-50031	BOLT 8* 8	12	91121-05012	BOLT, FLANGE	10
100212-03930	OILSEAL	2	610473-52131	SPRING	12	91121-05020	BOLT, FLANGE	2
100215-03930	PIN, DOWEL	2	699013-56830	PLATE, SHIELD	14	91121-05020	BOLT, FLANGE	4
123110-05560	SCREW, PUMP COVER	16	699229-56830	PLATE, COVER	12	91121-05025	BOLT, FLANGE	2
123112-40630	DIAPHRAGM, PUMP	16	890152-04930	LABEL, CAUTION	10	91128-05025	BOLT HSH	2
123114-40630	SCREW	16	890332-52730	LABEL, CHOKE	6	91128-05028	BOLT HSH	2
123123-03930	LEVER, METERING	16	890617-43130	LABEL,CAUTION	10	91367-04010	SCREW	6
123126-10631	SCREEN, INLET	16	895610-00130	L-WRENCH (4MM)	14	92280-05000	WASHER, NORD-LOCK	6
123137-19830	VALVE, INLET NEEDLE	16	898510-39130	BAG, TOOL	14	94035-36201	BEARING BALL	2
123138-03930	PIN, METERING LEVER	16	900106-05016	BOLT, H.S. 5*16	6	A011-000471	CRANKSHAFT,ASY	2
123139-05560	SCREW, M. LEVER PIN	16	900106-05030	BOLT, H.S.H. 5*30	6	A021-001340	CARBURETOR, DIAPHRAGM	6
123140-05560	GASKET, M. DIAPHRAGM	16	900162-05020	BOLT, H.S. 5*20	4	A021-001340	CARBURETOR, DIAPHRAGM	16
123142-05560	COVER, PRIMER PUMP	16	900242-05010	SCREW 5*10	6	A051-001211	STARTER,RECOIL ASY	4
123143-12110	RING, PACKING	16	900242-05010	SCREW 5*10	12	A051-001212	STARTER,RECOIL ASY	4
123149-54230	WASHER	16	900242-05060	SCREW 5*60	6	A052-000180	PULLEY,ASM STARTER	4
123172-45130	SWIVEL	16	900252-05012	SCREW 5*12	14	A101-000170	RING, PISTON	2
123173-07930	CLIP	16	900256-04016	SCREW 4*16	10	A127-000150	COVER,DUST	6
123180-05560	BODY, AIR PURGE	16	900500-00005	NUT 5	6	A130-000800	CYLINDER	2
123181-40630	PUMP, PRIMER	16	900500-00005	NUT 5	10	A160-000800	COVER,CYLINDER	2
131016-55830	GASKET, FUEL CAP	8	900502-00006	NUT 6 (3N)	10	A162-000110	GUARD,TOP	2
131205-19831	STRAINER, FUEL	8	900502-00008	NUT 8 (3N)	4	A175-000040	STAND	4
132012-56030	PIPE	8	900515-00008	NUT, FLANGE 8	4	A200-000270	INSULATOR, INTAKE	6
132013-09820	CLIP	8	900565-00005	NUT	14	A226-000471	ELEMENT, AIR FILTER	6
132013-26630	CLIP	8	900565-50008	NUT	10	A232-000360	LID,CLEANER	6
132115-55930	GROMMET, FUEL	8	900603-50008	WASHER	12	A244-000070	PLATE,PREVENT	6
145862-40630	SCREEN, MUFFLER	6	900701-00009	CIRCLIP 9	12	A259-000000	CAP,LIMITER	16
159011-03432	COIL, SPARK PLUG	4	900701-00012	CIRCLIP 12	2	A300-000640	MUFFLER, EXHAUST	6
159012-03433	CAP, SPARK PLUG	4	900702-00022	CIRCLIP 22	12	A313-000860	GUIDE, EXHAUST	6
159112-09961	CLIP	10	900702-00028	CIRCLIP 28	2	A320-000400	COVER,MUFFLER	6
162014-27230	LEAD, GROUND	6	900702-00032	CIRCLIP 32	2	A350-000500	TANK, FUEL	8
175046-56030	SHAFT, CLUTCH	4	900702-00042	CIRCLIP 42	12	A356-000030	VALVE,CHECK	8
175048-05530	WASHER (I)	4	900706-00010	SNAP RING	12	A365-000060	CONNECTOR,CAP	8
175049-56030	WASHER	4	900706-00012	CIRCLIP 12	12	A409-000290	ROTOR, MAGNETO	4
177220-40630	SPRING, REWIND	4	900720-00012	O-RING 12	12	A411-000312	COIL, IGNITION	4
177227-42030	GUIDE, ROPE	4	900807-06001	BEARING, BALL 6001	2	A425-000000	SPARKPLUG	4
177228-27030	GRIP, STARTER	4	900810-00629	BEARING, BALL 629	12	A506-000080	REEL,ROPE	4
177236-61830	SCREW	4	900812-06302	BEARING	12	A553-000050	ARM, CLUTCH	4
177246-11120	CLIP, STARTER ROPE	4	900855-06900	BEARING, BALL 6900	12	A556-000430	DRUM, CLUTCH	2
224924-52130	CLIP	10	900858-06900	BEARING, BALL 6900Z	12	A566-000020	SPRING, CLUTCH	4
301015-05330	HOOK, BAND	10	91118-05018	BOLT	14	C050-000870	PIPE, MAIN	10
301205-21330	HOOK	10	91118-05025	BOLT	14	C062-000192	HARNES,SHOULDER	10
605014-54230	WASHER	10	91118-05030	BOLT	10			

# NUMERICAL PARTS INDEX

Part No	Part description	Page	Part No	Part description	Page
C400-000211	HANDLE,FRONT	10	P022-023180	NUT	12
C403-000031	GRIP,HANDLE	10	P022-033310	PLATE, CAM	4
C423-000042	FIXTURE,HANDLE	10	P022-033320	DRUM, STARTER	4
C450-000270	CONTROL, THROTTLE	10	P022-039980	STARTER CASE	4
C460-000111	LOCKOUT, THROTTLE	10	V000-000110	GEAR SET, BEVEL	12
C463-000020	KNOB, LATCH	10	V100-000201	GASKET,CYL	2
C504-000050	SHAFT,DRIVE	10	V102-000030	GASKET,CRANKCASE	2
C534-000850	SHAFT, GEAR	12	V103-000160	GASKET,INTAKE	6
C535-000920	FIXTURE, BLADE	12	V103-000380	GASKET,INTAKE	6
C535-000930	FIXTURE, BLADE	12	V104-000790	GASKET,EXHAUST	6
C550-000080	SHIELD,BLADE	14	V104-000810	GASKET,EXHAUST	6
C550-000090	SHIELD,BLADE	14	V150-001760	PLATE,EYE	6
C550-000100	SHIELD,BLADE	14	V203-000120	BOLT,5	6
C554-000030	KNIFE, CORD	14	V203-000280	BOLT,5	4
P003-000100	GASKET, PUMP	16	V203-000280	BOLT,5	6
P003-000180	BRACKET CABLE	16	V203-000290	BOLT,5	2
P003-000440	BODY ASY, PUMP	16	V299-000110	KNOB,FASTENER	10
P003-000450	SPRING, METER. LEVER	16	V299-000250	KNOB,FASTENER	6
P003-001130	NEEDLE, HIGH SPEED	16	V306-000200	WASHER,CIRCULAR 8	2
P003-001850	DIAPHRAGM, METERING	16	V313-000090	WASHER,CIRCULAR 20	12
P021-010730	PISTON KIT	2	V323-000070	WASHER,CIRCULAR 5	4
P021-010741	CRANKCASE KIT	2	V420-001400	CUSHION	2
P021-010760	CASE,CLEANER ASY	6	V430-002080	CABLE,BOWDEN	10
P021-012210	CAP,FUEL ASY	8	V452-000350	SPRING,TORSION	10
P021-012821	FIXTURE,ASY HANDLE	10	V452-000360	SPRING,TORSION	10
P021-013580	RING, HARNESS KIT	10	V470-000580	PIPE	8
P021-013770	SHIELD KIT	14	V471-000110	PIPE	8
P021-013900	FIXTURE,MAIN PIPE	2	V485-000810	LEAD	4
P021-014090	GRIP ASY,F-HANDLE	10	V505-000020	SEAL,OIL 12	2
P021-014330	COVER ASY, FAN	2	X047-000321	CUTTER,ASM LINE	12
P021-035820	HOUSING ASY,GEAR	12	X502-000330	LABEL,ECHO	4
P021-042300	SWITCH,ON OFF	10	X505-002310	LABEL,CAUTION	6
P022-000710	EYELET	12	X547-001810	LABEL,ECHO	2
P022-002100	E-RING	4	X602-000020	TOOL,WRENCH	14
P022-006510	SPRING, RETURN	4	X606-000080	TOOL,BAR	14
P022-006850	PAWL, STARTER	4	X690-000050	GOGGLE	14
P022-008270	SPRING,DAMPER	4			
P022-008280	PLATE, CAM(TI12-511)	4			
P022-010370	SPRING	12			
P022-010380	NYLON CODE	12			
P022-010400	BOBBIN	12			
P022-010410	COVER	12			
P022-010420	HOUSING	12			
P022-022010	NUT	4			
P022-022110	ROPE, STARTER	4			