



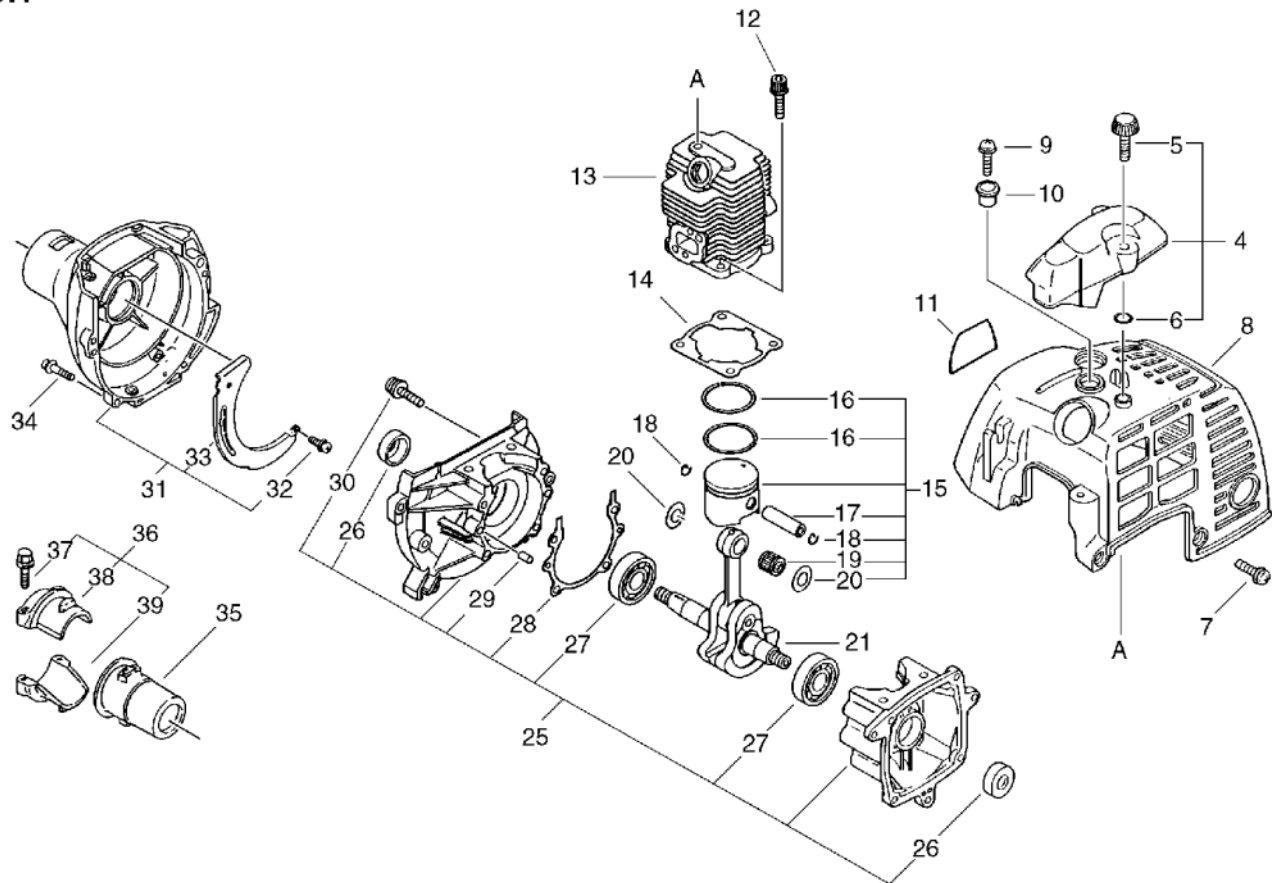
PARTS CATALOGUE

GRASS-TRIMMER / BRUSHCUTTER

SRM-2605

1. Cylinder, Crankcase, Piston, Fan Cover

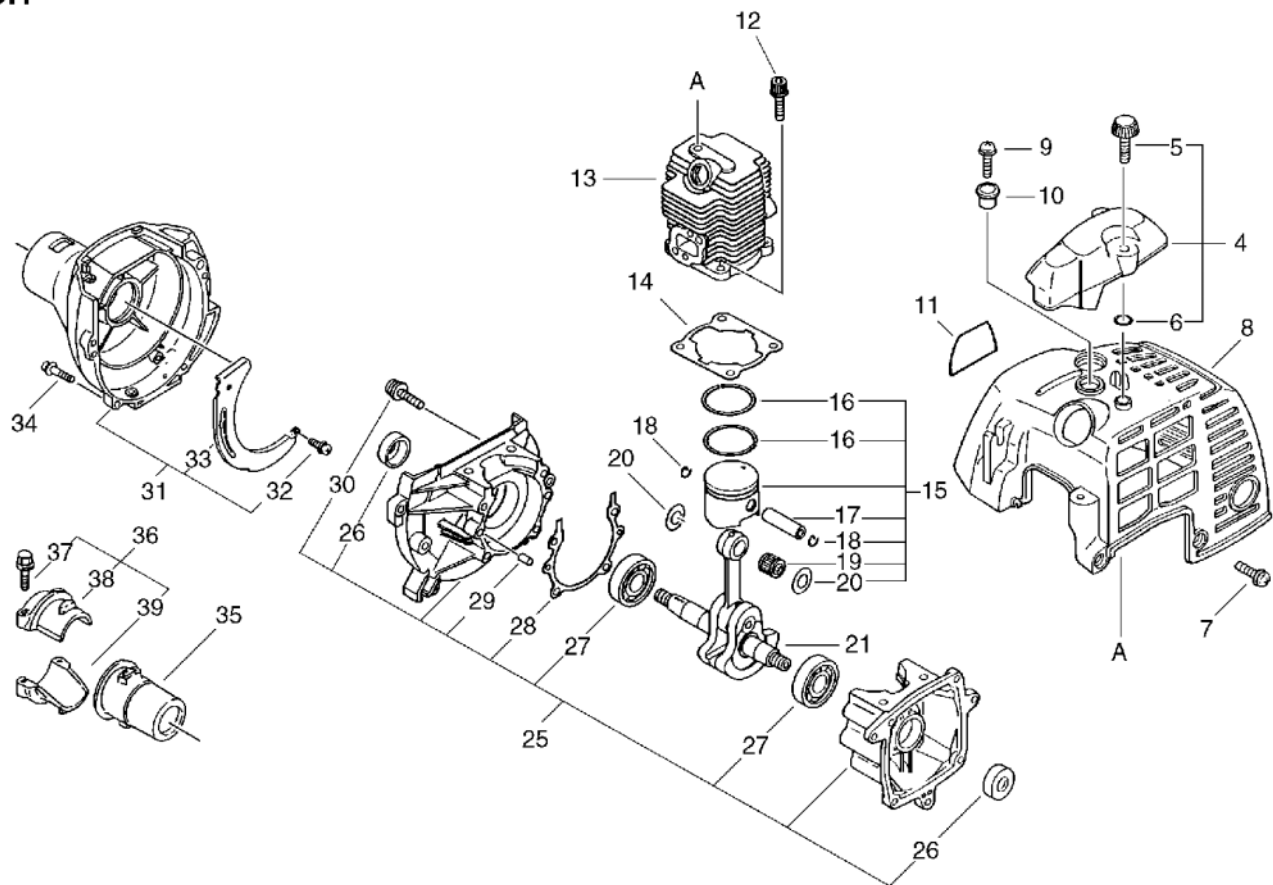
No.1



KEY	LV	PART NUMBER	Q'TY	DESCRIPTION	REMARKS	NOTE1	NOTE2
4		159902-55230	1	GUARD KIT, TOP			
5	+	352325-55230	1	KNOB, FASTENER			
6	+	900720-00004	1	O-RING (P-4)	P-4		
7		900238-05012	2	SCREW 5*12	5*12		
8		101514-55230	1	COVER, CYLINDER			
9		900238-05020	1	SCREW 5*20	5*20		
10		101531-55230	1	COLLAR			
11		890611-55230	1	LABEL, MODEL			
12		900162-05020	4	BOLT, H.S. 5*20	5*20 W, SW		
13		101011-55230	1	CYLINDER			
14		101010-22331	1	GASKET, CYL. BASE			
15		100000-55230	1	PISTON KIT			
16	+	100011-05330	2	RING, PISTON			
17	+	100013-22330	1	PIN, PISTON			
18	+	100015-04630	2	CIRCLIP, PISTON PIN			
19	+	175012-03930	1	BEARING, NEEDLE			
20	+	100014-11520	2	SPACER, PISTON PIN			
21		100100-55230	1	CRANKSHAFT ASSY		Sus. by 100100-55232	
21		100100-55231	1	CRANKSHAFT		Sus. by 100100-55232	
21		100100-55232	1	CRANKSHAFT			
25		100204-55230	1	CRANKCASE KIT		Sus. by 100204-55231	
25		100204-55231	1	CRANKCASE KIT			

1. Cylinder, Crankcase, Piston, Fan Cover

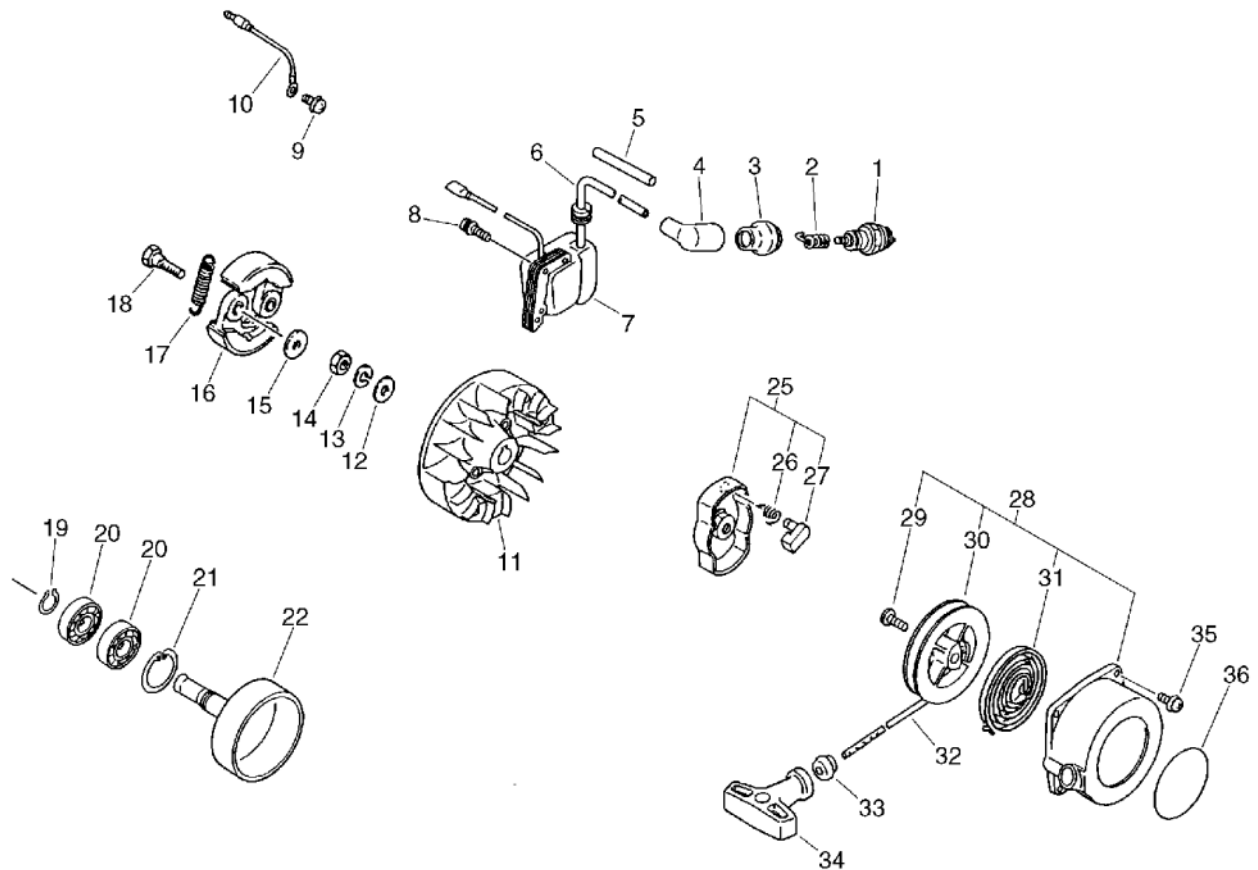
No.1



KEY	LV	PART NUMBER	Q'TY	DESCRIPTION	REMARKS	NOTE1	NOTE2
26	+	100212-42030	2	OILSEAL	ISCD12*22*4.5	Sus. by 100212-42031	
26	+	100212-42031	2	OILSEAL	ISCD 12*22*4.5		
27	+	900810-36201	2	BEARING, BALL 6201	6201/C3	Sus. by 94035-36201	
27	+	94035-36201	2	BEARING BALL	6201X3JR2C3		
28	+	100242-55230	1	GASKET, CRANKCASE			
29	+	100215-03930	4	PIN, DOWEL			
30	+	900242-05028	4	SCREW 5*28	5*28		
31		101503-55230	1	COVER ASSY, FAN			
32	+	900238-04008	2	SCREW 4*8	4*8		
33	+	101534-55230	1	PLATE, GUIDE			
34		900238-05020	4	SCREW 5*20	5*20		
35		610910-55230	1	CUSHION			
36		610903-55230	1	HOLDER KIT			
37	+	900162-05025	2	BOLT, H.S. 5*25	5*25 W,SW		
38	+	610922-27432	1	HOLDER			
39	+	610923-55230	1	HOLDER			

2. Starter, Magneto, Clutch

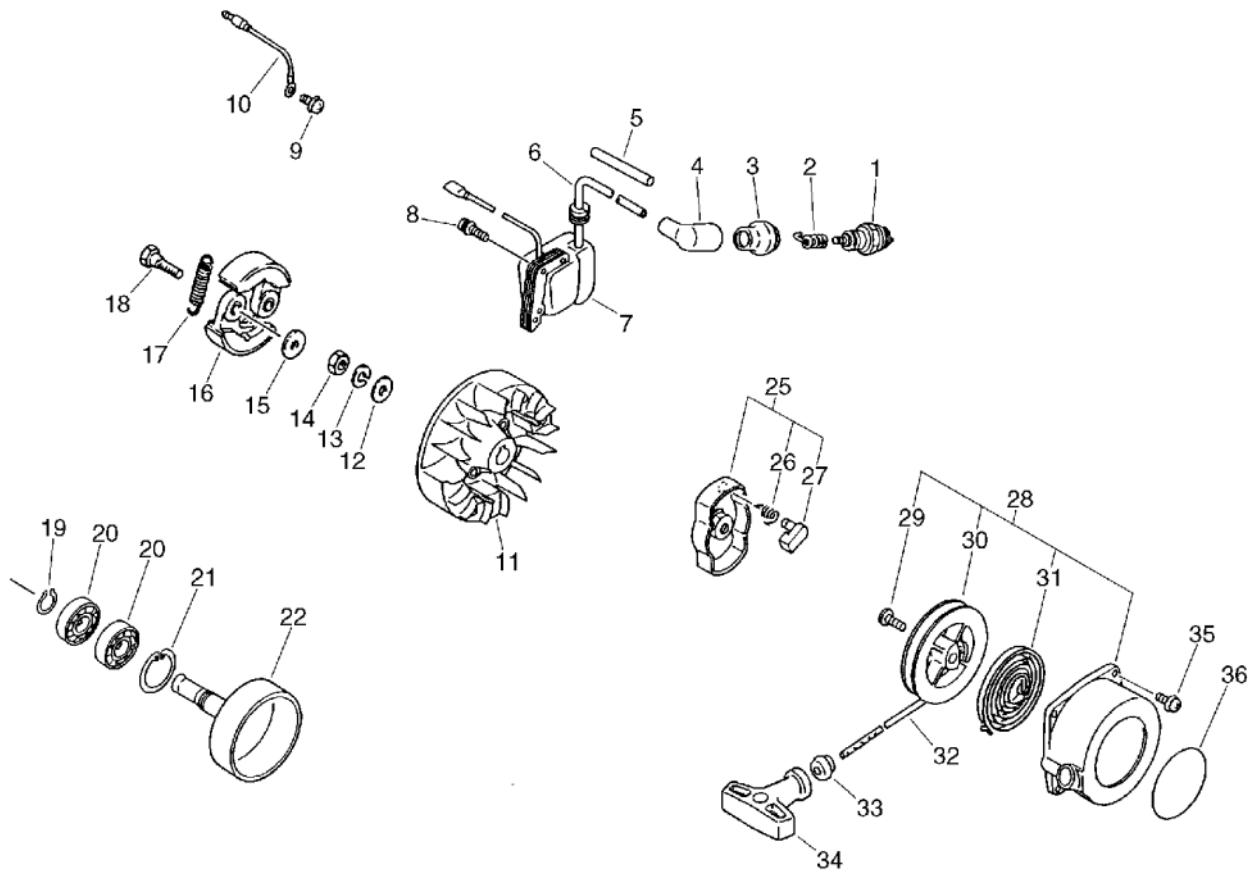
No.2



KEY	LV	PART NUMBER	Q'TY	DESCRIPTION	REMARKS	NOTE1	NOTE2
1		159010-10230	1	PLUG, SPARK (BPMR-7A)	BPMR-7A		
2		159011-03432	1	COIL, SPARK PLUG			
3		159015-55230	1	COVER, PLUG CAP			
4		159012-01620	1	CAP, SPARK PLUG			
5		156111-55230	1	TUBE	6*7*100		
6		150112-44330	1	BUSHING			
7		156626-55231	1	COIL, IGNITION			
8		900238-04022	2	SCREW 4*22	4*22		
9		900238-05010	1	SCREW 5*10	5*10		
10		162014-27230	1	LEAD, GROUND			
11		156801-55231	1	FLYWHEEL			
12		900600-00008	1	WASHER 8	8		
13		900605-00008	1	WASHER, SPRING 8	8		
14		900502-00008	1	NUT 8 (3N)	3N8		
15		175048-05530	2	WASHER (I)	6.2*19*1.0		
16		175009-05532	2	SHOE, CLUTCH		Sus. by 175009-55931	
16		175009-55930	2	SHOE, CLUTCH		Sus. by 175009-55931	
16		175009-55931	2	SHOE, CLUTCH			
17		175018-05535	1	SPRING, CLUTCH			
18		175046-22332	2	BOLT, CLUTCH			
19		900701-00012	1	CIRCLIP 12	CS-12		
20		900807-06001	2	BEARING, BALL 6001	6001V(LB)		
21		900702-00028	1	CIRCLIP 28	CR-28		
22		175005-40930	1	DRUM, CLUTCH			

2. Starter, Magneto, Clutch

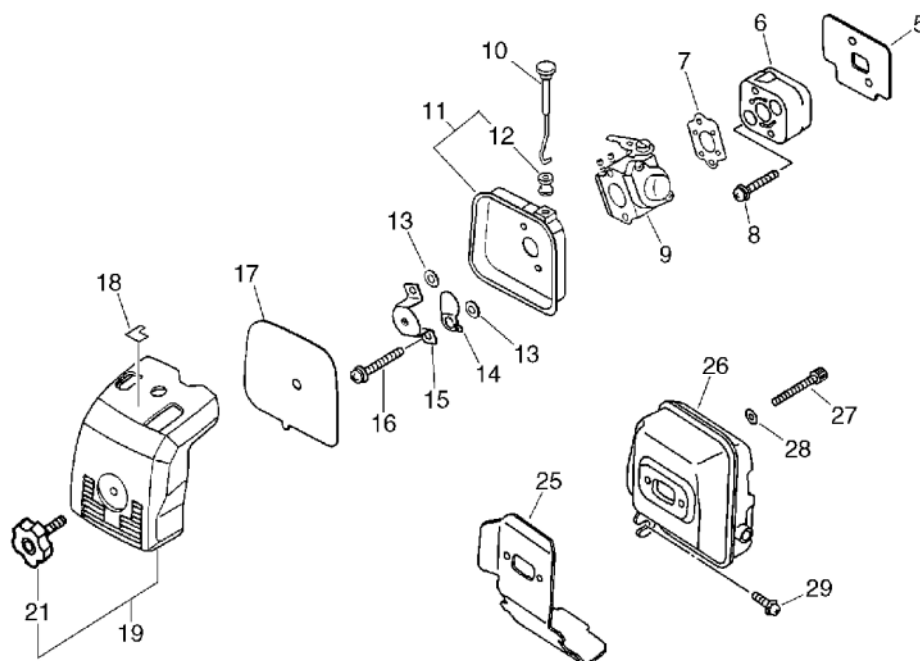
No.2



KEY	LV	PART NUMBER	Q'TY	DESCRIPTION	REMARKS	NOTE1	NOTE2
25		177202-55230	1	PAWL ASSY, STARTER			
26	+	177234-40630	1	SPRING, RETURN			
27	+	177218-55230	1	PAWL, STARTER			
28		177200-55230	1	STARTER ASSY			
29	+	177236-40630	1	SCREW			
30	+	177215-40630	1	DRUM, STARTER			
31	+	177220-40630	1	SPRING, REWIND			
32	+	177226-40630	1	ROPE, STARTER	3.5*820		
33	+	177227-05530	1	GUIDE, ROPE			
34	+	177228-06530	1	GRIP, STARTER			
35		900238-04014	4	SCREW 4*14	4*14		
36		890118-49330	1	LABEL, ECHO			

3. Air Cleaner, Muffler

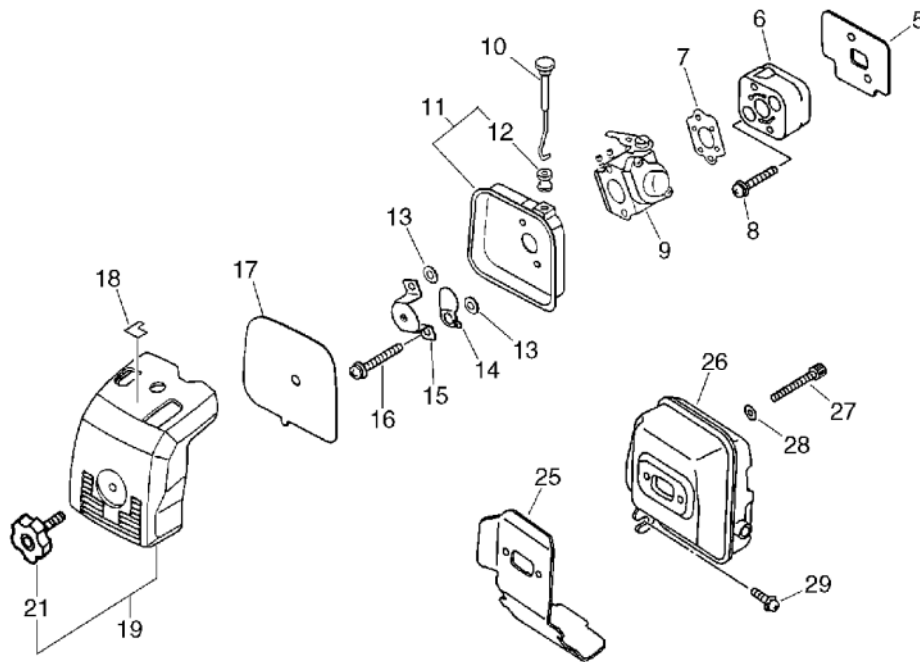
No.3



KEY	LV	PART NUMBER	Q'TY	DESCRIPTION	REMARKS	NOTE1	NOTE2
5		130010-55230	1	GASKET, INTAKE			
6		130007-51231	1	INSULATOR			
7		130016-42031	1	GASKET, INTAKE			
8		900162-05025	2	BOLT, H.S. 5*25	5*25 W,SW		
9		125200-55230	1	CARBURETOR ASSY	C1U-K36A	Sus. by 125200-55232	
9		125200-55231	1	CARBURETOR	C1U-K36A	Sus. by 125200-55232	
9		125200-55232	1	CARBURETOR C1U-K36A	C1U-K36A		
10		178510-51730	1	ROD, CHOKE			
11		130301-51730	1	CASE, AIR CLEANER			
12	+	178810-05230	1	GROMMET			
13		178516-00830	2	SPACER	5.2*8*0.8T		
14		178515-05060	1	SHUTTER, CHOKE			
15		129011-51730	1	PLATE			
16		900238-05050	2	SCREW 5*50	5*50		
17		130310-51730	1	FILTER, AIR			
18		890121-47530	1	LABEL, CHOKE			
19		130302-52130	1	COVER ASSY, AIR CLN.		Sus. by 130302-52131	
19		130302-52131	1	COVER ASY, A.CLEANER			
21	+	130406-52130	1	KNOB, FASTENER		Sus. by 130406-52131	
21	+	130406-52131	1	KNOB, FASTENER			
25		145510-55230	1	GASKET, MUFFLER			
26		145610-55230	1	MUFFLER			

3. Air Cleaner, Muffler

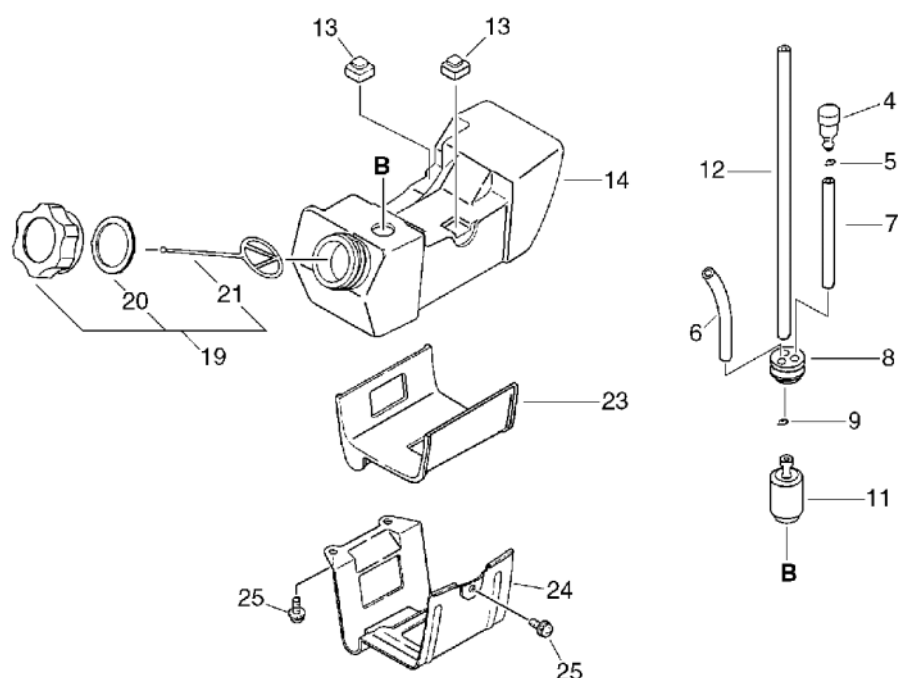
No.3



KEY	LV	PART NUMBER	Q'TY	DESCRIPTION	REMARKS	NOTE1	NOTE2
27		900105-05060	2	BOLT, H.S. 5*60	5*60		
28		900600-00005	2	WASHER 5	5		
29		900238-05010	1	SCREW 5*10	5*10		

4. Fuel Tank

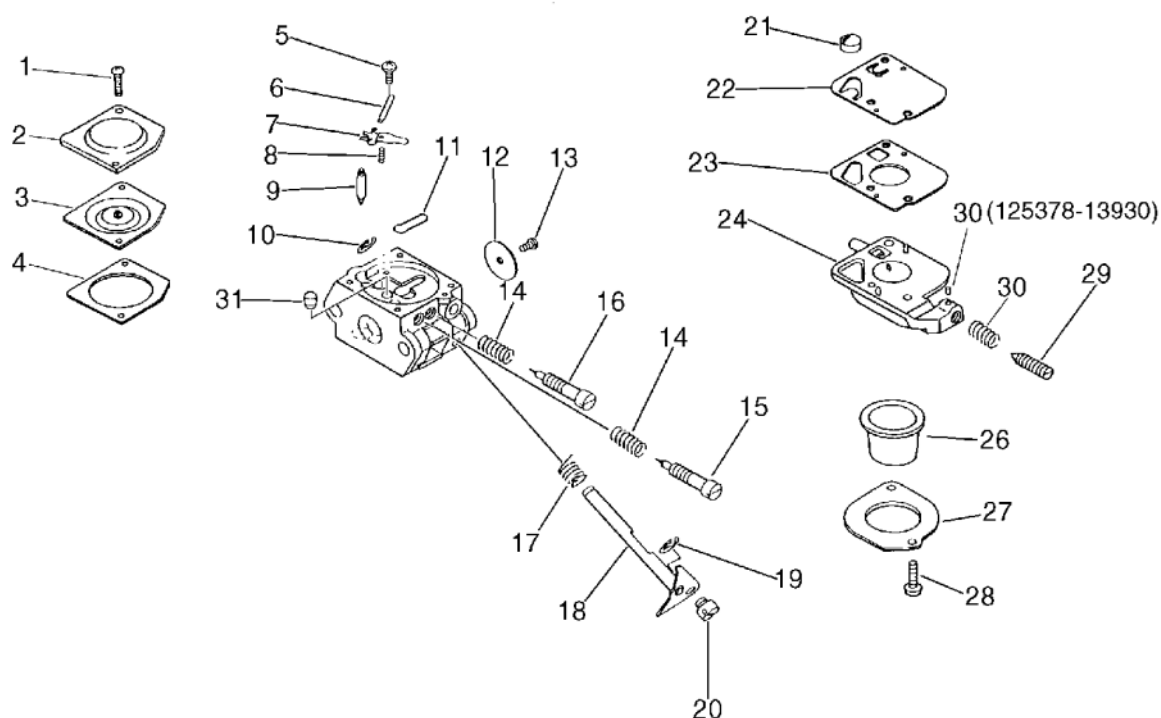
No.4



KEY	LV	PART NUMBER	Q'TY	DESCRIPTION	REMARKS	NOTE1	NOTE2
4		131300-56430	1	VALVE, CHECK			
5		130111-00530	1	CLIP	5.5		
6		132010-56330	1	PIPE 3*6*90	3*6*90 YL		
7		437210-11131	1	PIPE 3*5*90 NBR	3*5*90 NBR	Sus. by V471-001210	
7		V471-001210	1	PIPE	3*5*90 NBR		
8		132115-46730	1	GROMMET, FUEL			
9		132013-09820	1	CLIP	6MM		
11		131205-14930	1	STRAINER, FUEL			
12		132010-13930	1	PIPE, FUEL	3*5*180L NBR	Sus. by V471-001190	
12		V471-001190	1	PIPE	3*5*180 NBR		
13		131925-22330	3	CUSHION			
14		131010-41930	1	TANK, FUEL			
19		131004-55530	1	CAP ASSY, FUEL TANK			
20	+	131016-55830	1	GASKET, FUEL CAP			
21	+	131051-56030	1	CLIP, FUEL CAP	100L		
23		131924-40930	1	CUSHION			
24		305110-40930	1	STAND (BL)			
25		900238-05010	3	SCREW 5*10	5*10		

5. Carburetor

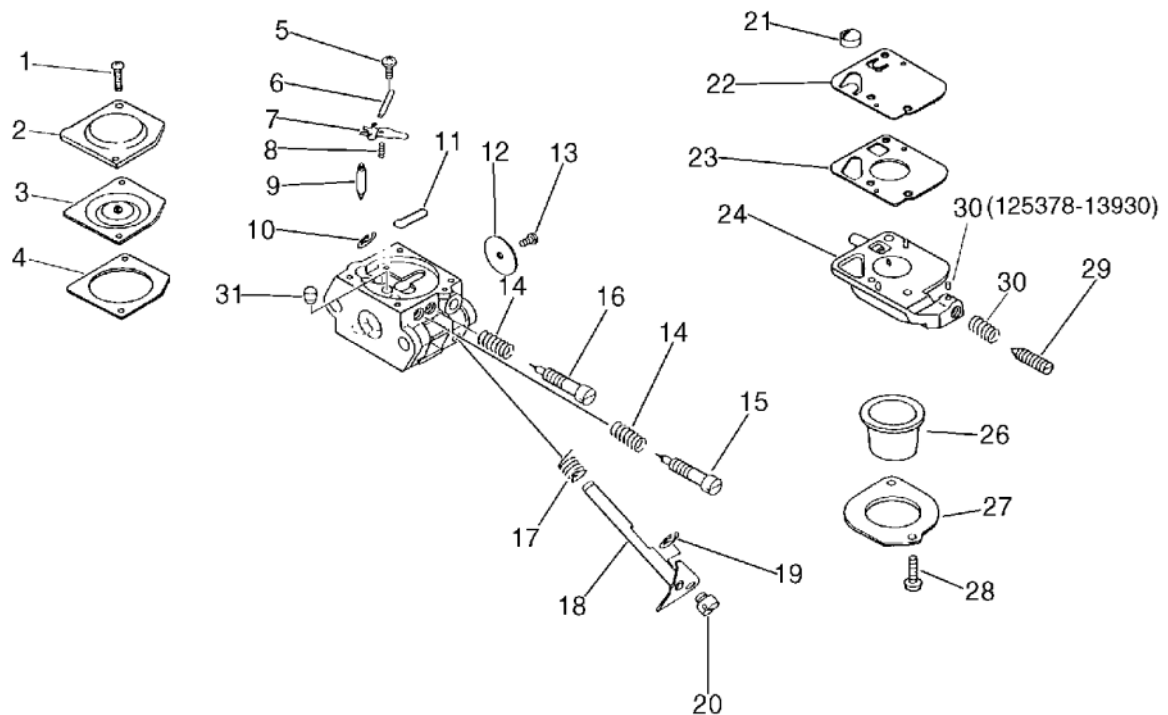
No.5



KEY	LV	PART NUMBER	Q'TY	DESCRIPTION	REMARKS	NOTE1	NOTE2
		125200-55230	1	CARBURETOR ASSY	C1U-K36A	Sus. by 125200-55232	
		125200-55231	1	CARBURETOR	C1U-K36A	Sus. by 125200-55232	
		125200-55232	1	CARBURETOR C1U-K36A	C1U-K36A		
1	+	125344-52130	2	SCREW			
2	+	125342-13210	1	COVER, DIAPHRAGM			
3	+	125341-42030	1	DIAPHRAGM			
4	+	125340-42030	1	GASKET, DIAPHRAGM			
5	+	125339-42030	1	SCREW			
6	+	125338-13930	1	PIN, METERING ARM			
7	+	125323-42030	1	LEVER, METERING			
8	+	125322-12620	1	SPRING, COIL			
9	+	125337-06960	1	VALVE, INLET NEEDLE			
10	+	125327-15130	1	CLIP			
11	+	125345-15130	1	PLUG, WELCH			
12	+	125316-07260	1	VALVE, THROTTLE			
13	+	125314-13930	1	SCREW	3*4		
14	+	125319-42030	2	SPRING, COIL			
15	+	125320-51030	1	NEEDLE, HIGH SPEED			
16	+	125318-42030	1	NEEDLE, IDLE			
17	+	125313-42030	1	SPRING, THRT. RETURN			
18	+	125317-42030	1	SHAFT, THROTTLE			
19	+	125327-13930	1	CLIP			
20	+	125372-42030	1	SWIVEL			
21	+	125326-42030	1	STRAINER			

5. Carburetor

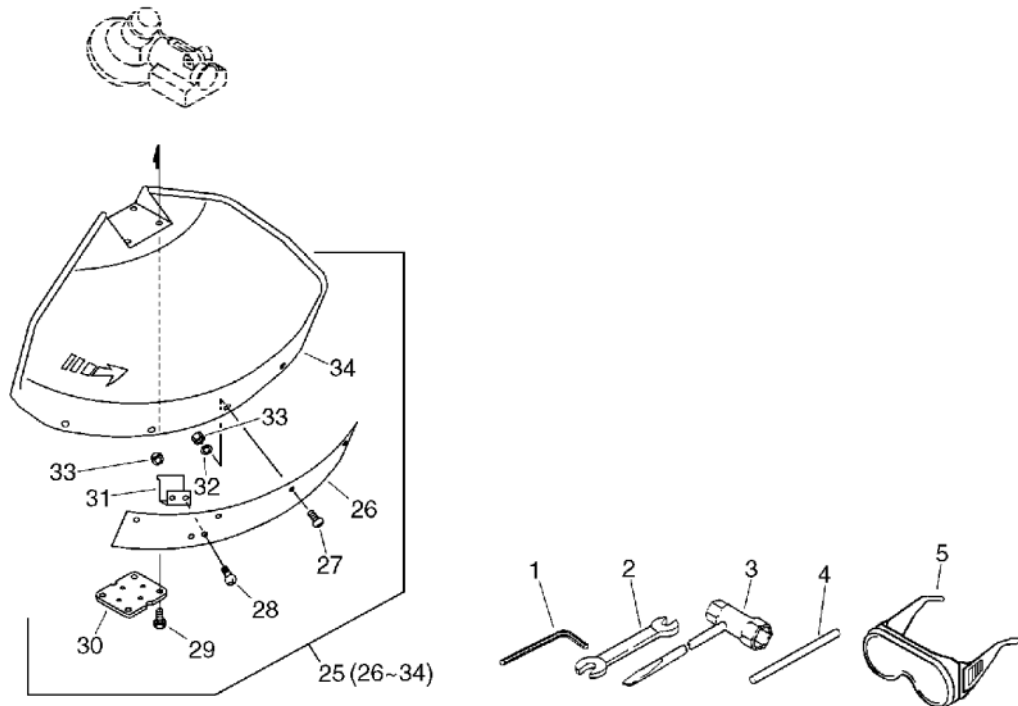
No.5



KEY	LV	PART NUMBER	Q'TY	DESCRIPTION	REMARKS	NOTE1	NOTE2
22	+	125312-12820	1	DIAPHRAGM, FUEL PUMP			
23	+	125325-13310	1	GASKET, PUMP			
24	+	125383-13310	1	BASE, PRIMER		Sus. by P005-000990	
24	+	P005-000990	1	BASE, PRIMER			
26	+	125381-08660	1	PUMP, PRIMING			
27	+	125363-11610	1	RING			
28	+	125310-11610	2	SCREW			
29	+	125334-13930	1	SCREW, IDLE ADJUST		Sr/Nr 003295 and before	
29	+	125344-08560	1	SCREW		Sr/Nr 003296 and after	
30	+	125378-13930	1	PIECE, FRICTION		Sr/Nr 003295 and before	
30	+	125333-08560	1	SPRING, ADJUST SCREW		Sr/Nr 003296 and after	
31	+	125376-55230	1	NOZZLE, CHECK VALVE			

6. Shield, Tools

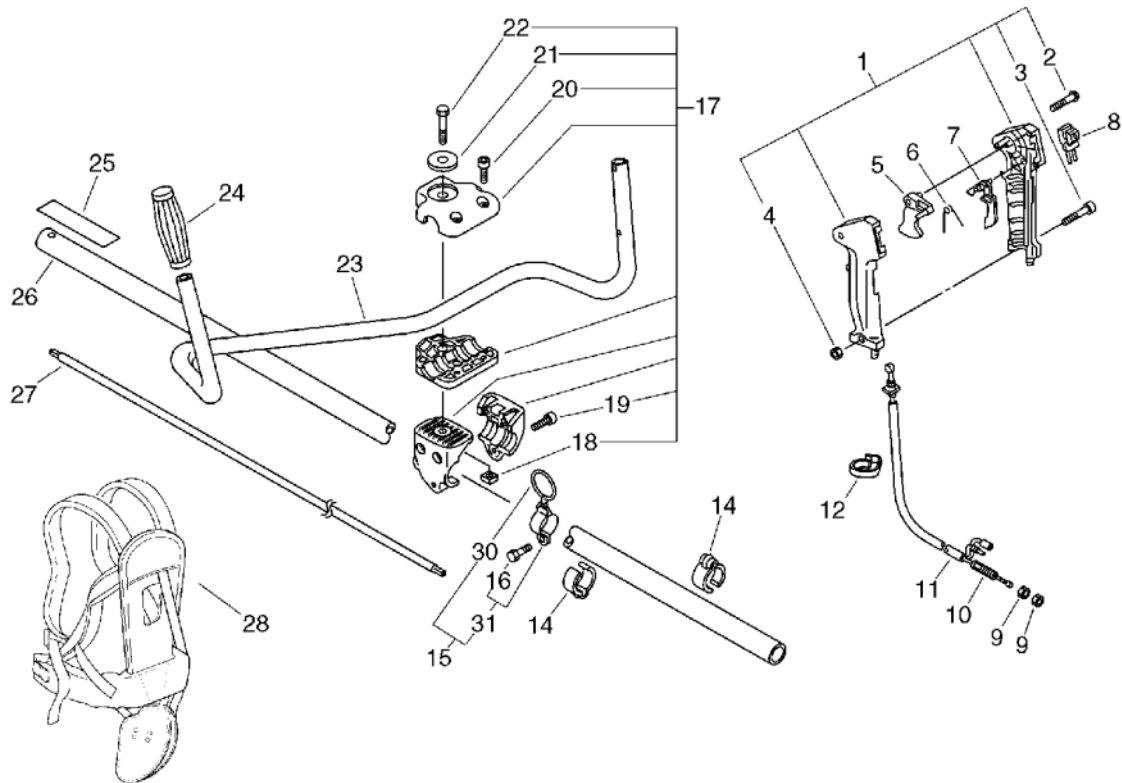
No.6



KEY	LV	PART NUMBER	Q'TY	DESCRIPTION	REMARKS	NOTE1	NOTE2
1		895610-00130	1	L-WRENCH (4MM)			
2		895112-00330	1	SPANNER 8*10			
3		895410-08030	1	WRENCH, W/S. DRIVER		Sus. by X602-000020	
3		x602-000020	1	#N/A			
4		897518-01131	1	LOCKING TOOL			
5		899580-40930	1	GOGGLE		Sus. by 899580-68730	
5		899580-68730	1	SAFETY GLASSES			
25		699000-52930	1	SHIELD ASSY		Sus. by 699000-52931	
25		699000-52931	1	SHIELD ASY			
26	+	699013-52130	1	PLATE, SHIELD			
27	+	900162-05018	4	BOLT, H.S. 5*18	5*18 W,SW		
28	+	900162-05014	2	BOLT, H.S. 5*14	5*14 W,SW		
29	+	900162-05025	4	BOLT, H.S. 5*25	5*25 W,SW		
30	+	699013-56830	1	PLATE, SHIELD			
31	+	699016-52130	1	KNIFE, CORD		Sus. by 699016-54530	
31	+	699016-54530	1	KNIFE			
32	+	900603-00005	4	WASHER 5	5.5*12*0.8		
33	+	900500-00005	6	NUT 5	5		
34	+	699010-52930	1	SHIELD, BLADE		Sus. by 699010-52931	
34	+	699010-52931	1	SHIELD, BLADE			

7. U-Handle

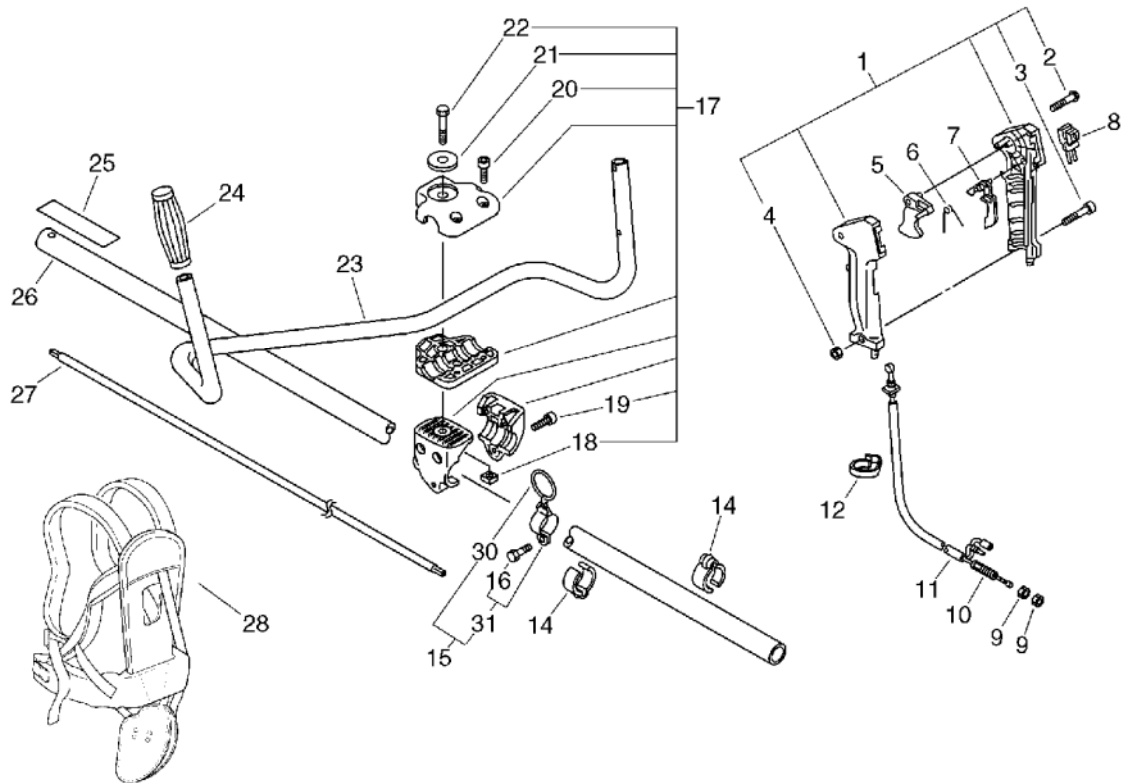
No.7



KEY	LV	PART NUMBER	Q'TY	DESCRIPTION	REMARKS	NOTE1	NOTE2
1		351102-47530	1	GRIP ASSY, F-HANDLE			
2	+	900246-03025	4	SCREW 3*25	3*25		
3	+	900220-05030	1	SCREW 5*30	5*30		
4	+	900500-00005	1	NUT 5	5		
5		178010-05960	1	CONTROL, THROTTLE			
6		178013-35631	1	SPRING, THR. LOCK			
7		178012-05960	1	LOCKOUT, THROTTLE			
8		163400-48030	1	SWITCH, IGNITION			
9		900502-00006	2	NUT 6 (3N)	3N6		
10		178001-47530	1	WIRE, THROTTLE			
11		178127-47530	1	TUBE	7*10*760		
12		159112-09960	1	CLIP		Sus. by 159112-09961	
12		159112-09961	1	CLIP			
14		224924-52130	2	CLIP	25MM		
15		301200-21330	1	HOOK ASS'Y			
30	+	301015-05330	1	HOOK, BAND			
31	+	301205-21330	1	HOOK			
16	++	900105-05012	1	BOLT, H.S. 5*12	5*12		
17		351301-52130	1	BRACKET ASSY, HANDLE			
18	+	900565-50008	1	NUT	8*1.25		
19	+	900162-05030	3	BOLT, H.S. 5*30	5*30 W,SW		
20	+	900162-05020	2	BOLT, H.S. 5*20	5*20 W,SW		
21	+	605014-54230	1	WASHER			
22	+	351421-52130	1	BOLT			

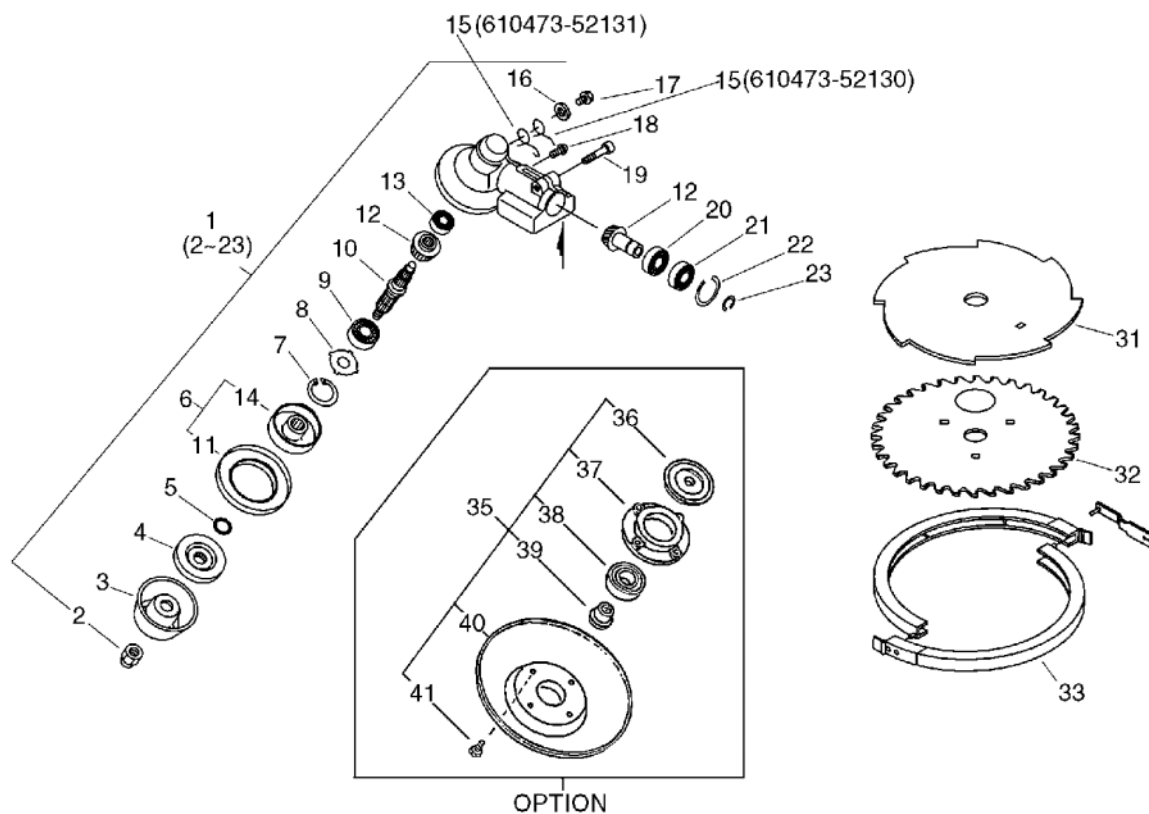
7. U-Handle

No.7



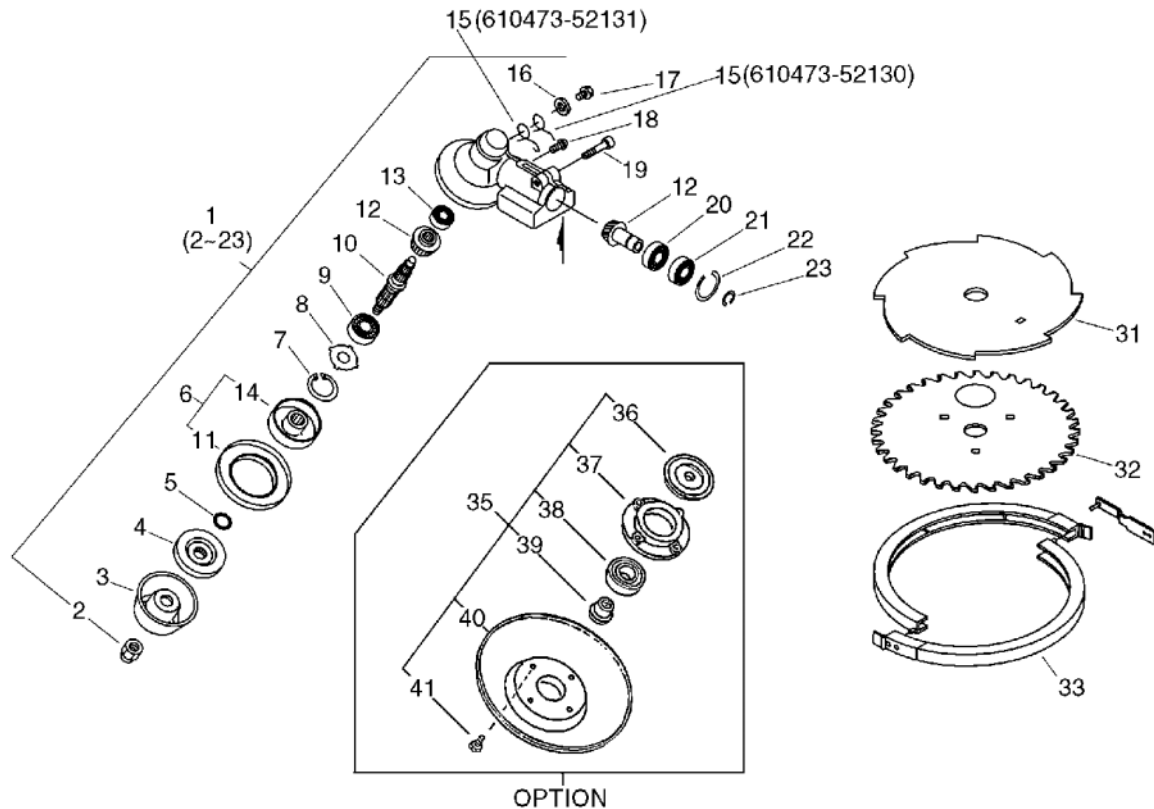
KEY	LV	PART NUMBER	Q'TY	DESCRIPTION	REMARKS	NOTE1	NOTE2
23		351214-52130	1	HANDLE, FRONT		Sus. by C400-000000	
23		C400-000000	1	HANDLE, FRONT			
24		351311-02330	1	GRIP, HANDLE			
25		890617-46830	1	LABEL, CAUTION		Sus. by 890617-43130	
25		890617-43130	1	LABEL, CAUTION			
26		610206-23030	1	HOUSING ASS'Y, D.SFT			
27		610011-25530	1	SHAFT, DRIVE			
28		301001-56830	1	HARNESS, SHOULDER		Sus. by C062-000181	
28		301001-56831	1	HARNESS ASY, SHOULDER		Sus. by C062-000181	
28		C062-000180	1	HARNESS, SHOULDER	ECHO	Sus. by C062-000181	
28		C062-000181	1	HARNESS, SHOULDER			
29		890157-39130	1	LABEL, SWITCH		Diuse	

8. Gear Case(U-Handle Type), Blade No.8



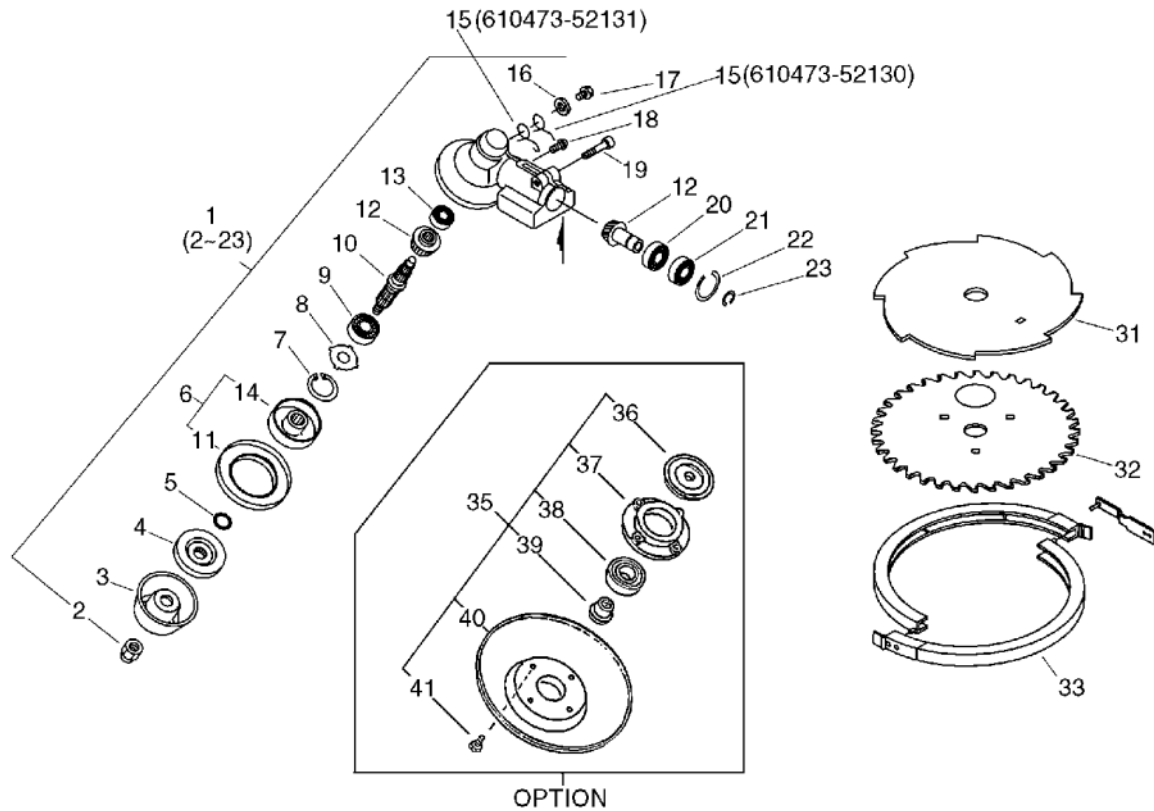
KEY	LV	PART NUMBER	Q'TY	DESCRIPTION	REMARKS	NOTE1	NOTE2
1		610400-52130	1	HOUSING ASSY, GEAR		Sus. by 610400-52132	
1		610400-52131	1	CASE ASY, GEAR		Sus. by 610400-52132	
1		610400-52132	1	CASE ASY, GEAR			
2	+	610320-52130	1	NUT 10			
3	+	699229-56830	1	PLATE, COVER			
4	+	610314-52130	1	PLATE, ADAPTER (L)			
5	+	900720-00012	1	O-RING 12	P-12		
6	+	610313-52930	1	PLATE, ADAPTER (U)		Sus. by C535-000001	
6	+	C535-000000	1	FIXTURE, BLADE		Sus. by C535-000001	
6	+	C535-000001	1	FIXTURE, BLADE			
11	++	610352-56830	1	PLATE, CUP			
14	++	C535-000010	1	FIXTURE, BLADE		Sus. by C535-000011	
14	++	C535-000011	1	FIXTURE, BLADE			
7	+	900702-00032	1	CIRCLIP 32	CR-32		
8	+	610444-56830	1	WASHER			
9	+	900812-06201	1	BEARING, BALL 6201	6201DDU(LLU)		
10	+	610310-56830	1	SHAFT, P.T.O.			
12	+	610300-25531	1	GEAR SET	7S		
13	+	900810-00626	1	BEARING, BALL 626	626		

8. Gear Case(U-Handle Type), Blade No.8



KEY	LV	PART NUMBER	Q'TY	DESCRIPTION	REMARKS	NOTE1	NOTE2
15	+	610473-52130	1	SPRING, TORSION		Can be used on the 610313-52930 only	
15	+	610473-52131	1	SPRING		Can be used on the C535-000000 only	
16	+	900603-50008	1	WASHER	8.5*18*0.8T		
17	+	610434-50030	1	BOLT 8* 6		Sus. by 610434-50031	
17	+	610434-50031	1	BOLT 8* 8	M8*8		
18	+	900242-05010	1	SCREW 5*10	5*10		
19	+	900162-06025	1	BOLT, H.S. 6*25	6*25 W,SW		
20	+	900855-06900	1	BEARING, BALL 6900	6900		
21	+	900858-06900	1	BEARING, BALL 6900Z	6900Z		
22	+	900702-00022	1	CIRCLIP 22	CR-22		
23	+	900706-00010	1	CIRCLIP 10	WR-10		
31		696001-44730	1	BLADE,8-CUTTER 9IN		Sus. by 696001-44731	
31		696001-44731	1	BLADE, 8-CUTTER 9IN	230*8T*1.4 PD25		
32		695001-44730	1	SAW,CIRCULAR 9*80T		Sus. by 695001-44731	
32		695001-44731	1	SAW, CIRCULAR 9*80T	230*80P*1.4 PD25		
33		898523-50030	1	SCABBARD, BLADE		Sus. by P021-007470	

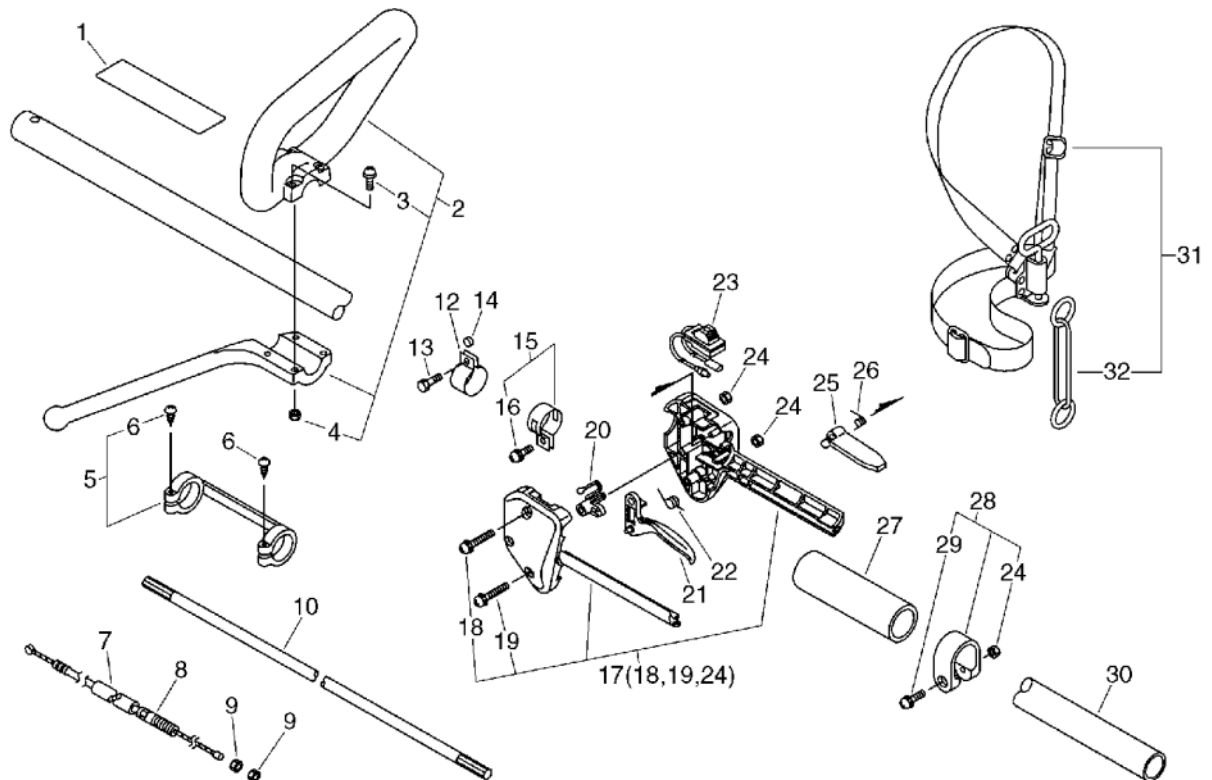
8. Gear Case(U-Handle Type), Blade No.8



KEY	LV	PART NUMBER	Q'TY	DESCRIPTION	REMARKS	NOTE1	NOTE2
33		898523-47130	1	SCABBARD, BLADE		Sus. by P021-007470	
33		P021-007470	1	SCABBARD, BLADE			
35		699200-56830	1	CAP ASSY, FREE			
36	+	610313-56830	1	PLATE, ADAPTER (U)			
37	+	699226-05430	1	HOLDER, BEARING			
38	+	900814-06202	1	BEARING, BALL 6202	6202ZZ		
39	+	699227-04630	1	NUT			
40	+	699228-08930	1	PLATE, COVER			
41	+	900141-05012	4	BOLT 5*12	5*12		

9. Loop Handle

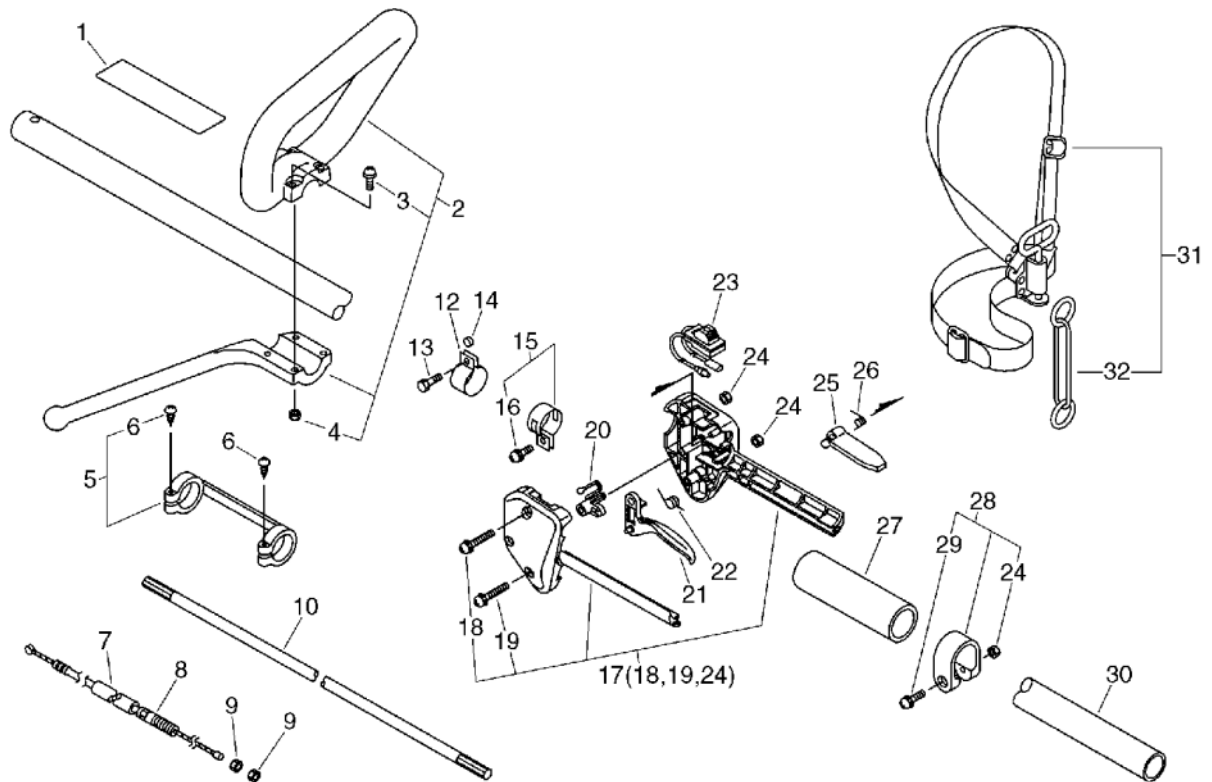
No.9



KEY	LV	PART NUMBER	Q'TY	DESCRIPTION	REMARKS	NOTE1	NOTE2
1		890177-46730	1	LABEL, CAUTION		Sus. by 890617-43130	
1		890617-63630	1	LABEL, CAUTION		Sus. by 890617-43130	
1		X505-000140	1	LABEL, CAUTION		Sus. by 890617-43130	
1		890617-43130	1	LABEL, CAUTION			
2		351201-54130	1	HANDLE ASSY, LOOP			
3	+	900242-05035	4	SCREW 5*35	5*35		
4	+	900500-00005	4	NUT 5	5		
5		610281-54130	1	COLLER			
6	+	900253-04025	2	SCREW 4*25	4*25		
7		162110-56530	1	TUBE	7*175		
8		178001-51030	1	WIRE, THROTTLE			
9		900502-00006	2	NUT 6 (3N)	3N6		
10		610011-25530	1	SHAFT, DRIVE			
11		890157-39130	1	LABEL, SWITCH		Diuse	
12		301207-08930	1	HOOK			
13		900100-05018	1	BOLT 5*18	5*18		
14		699012-03330	1	SPACER			
15		301200-29430	1	BAND ASSY			
16	+	900242-05014	1	SCREW 5*14	5*14		
17		178003-52130	1	BRACKET SET, THROTTLE			
18	+	900242-05035	1	SCREW 5*35	5*35		
19	+	900242-05025	1	SCREW 5*25	5*25		
24	+	900500-00005	2	NUT 5	5		

9. Loop Handle

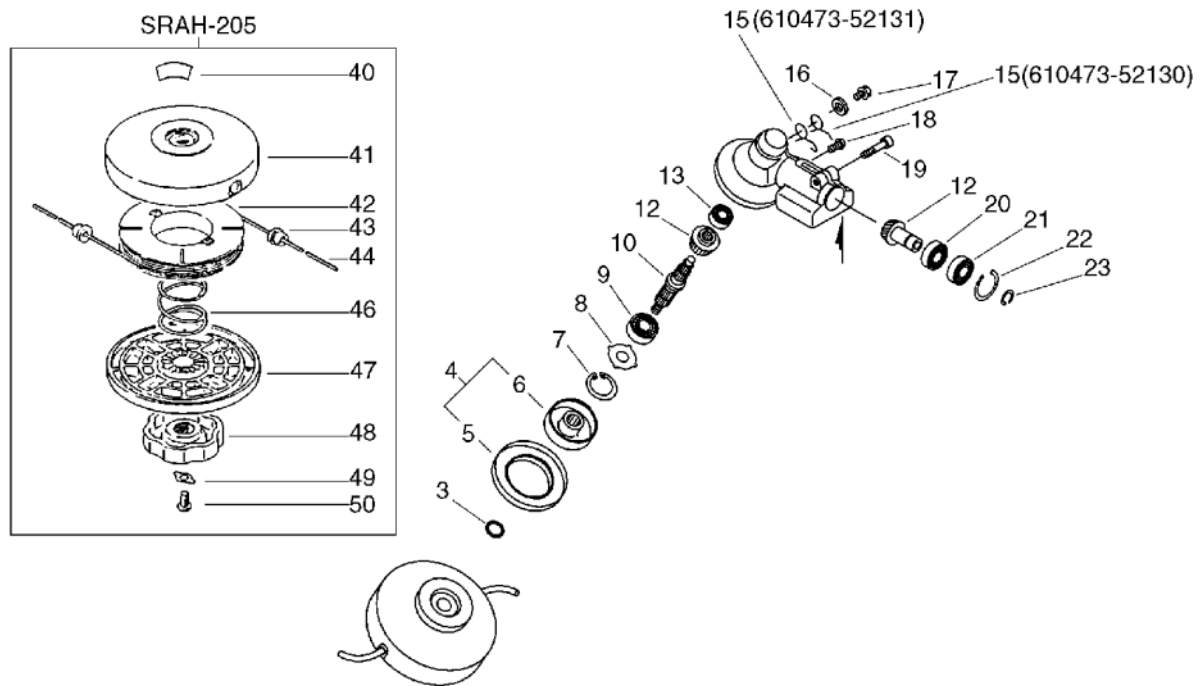
No.9



KEY	LV	PART NUMBER	Q'TY	DESCRIPTION	REMARKS	NOTE1	NOTE2
20		178012-52630	1	LOCKOUT, THROTTLE			
21		178010-52130	1	CONTROL, THROTTLE			
22		178043-42230	1	SPRING, THR. RETURN			
23		163400-49330	1	SWITCH, IGNITION			
25		178090-52630	1	LOCKOUT, T. CONTROL		Sus. by 178090-52632	
25		178090-52631	1	LOCKOUT, T. CONTROL		Sus. by 178090-52632	
25		178090-52632	1	LOCKOUT, T. CONTROL			
26		178013-52630	1	SPRING, THR. LOCK			
27		351213-52130	1	GRIP		Sus. by C403-000140	
27		C403-000140	1	GRIP, HANDLE	L129.5*28		
28		610272-52130	1	BAND			
24	+	900500-00005	1	NUT 5	5		
29	+	900242-05028	1	SCREW 5*28	5*28		
30		610206-23030	1	HOUSING ASS'Y, D.SFT			
31		301000-55230	1	HARNESS ASSY		Sus. by 301000-55231	
31		301000-55231	1	HARNESS ASY, SHOULDER		Diuse	
32	+	301305-24330	1	LINK			

10. Gear Case(Loop Handle Type), Nylon Line Cutting Head

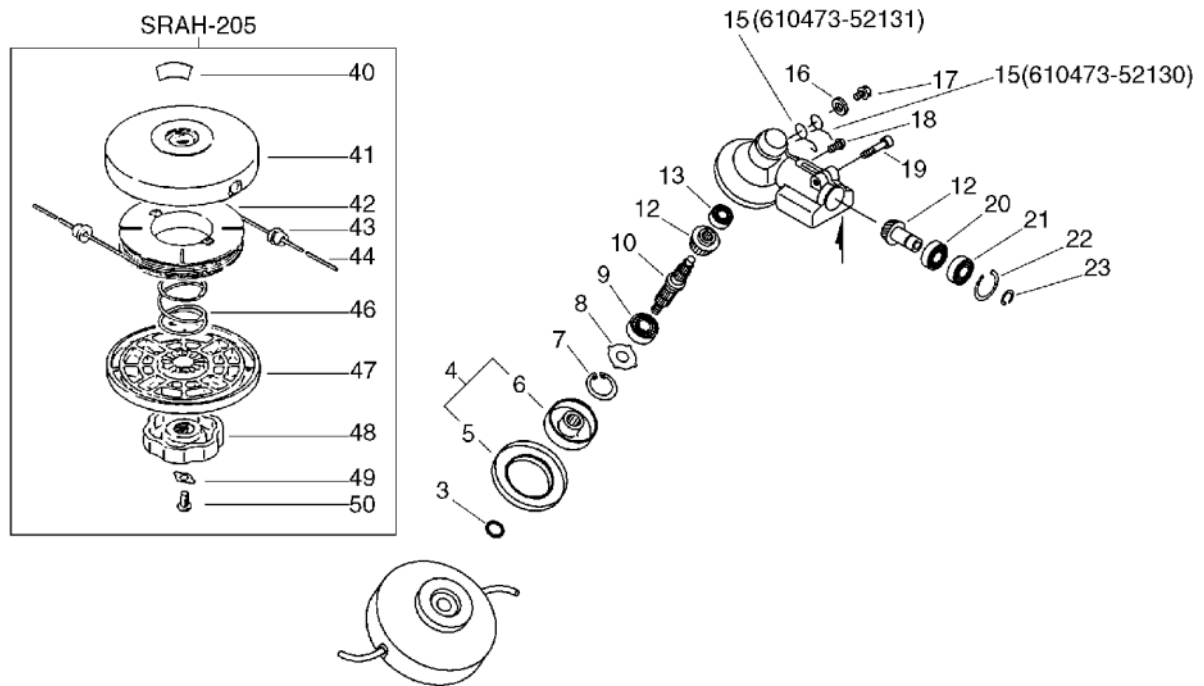
No.10



KEY	LV	PART NUMBER	Q'TY	DESCRIPTION	REMARKS	NOTE1	NOTE2
3		900720-00012	1	O-RING 12	P-12		
4		610313-52930	1	PLATE, ADAPTER (U)		Sus. by C535-000001	
4		C535-000000	1	FIXTURE, BLADE		Sus. by C535-000001	
4		C535-000001	1	FIXTURE, BLADE			
5	+	610352-56830	1	PLATE, CUP			
6	+	C535-000010	1	FIXTURE, BLADE		Sus. by C535-000011	
6	+	C535-000011	1	FIXTURE, BLADE			
7		900702-00032	1	CIRCLIP 32	CR-32		
8		610444-56830	1	WASHER			
9		900812-06201	1	BEARING, BALL 6201	6201DDU(LLU)		
10		610310-56830	1	SHAFT, P.T.O.			
12		610300-25531	1	GEAR SET	7S		
13		900810-00626	1	BEARING, BALL 626	626		
15		610473-52130	1	SPRING, TORSION		Can be used on the 610313-52930 only	
15		610473-52131	1	SPRING		Can be used on the C535-000000 only	
16		900603-50008	1	WASHER	8.5*18*0.8T		
17		610434-50030	1	BOLT 8*6		Sus. by 610434-50031	
17		610434-50031	1	BOLT 8*8	M8*8		

10. Gear Case(Loop Handle Type), Nylon Line Cutting Head

No.10



KEY	LV	PART NUMBER	Q'TY	DESCRIPTION	REMARKS	NOTE1	NOTE2
18		900242-05010	1	SCREW 5*10	5*10		
19		900162-06025	1	BOLT, H.S. 6*25	6*25 W,SW		
20		900855-06900	1	BEARING, BALL 6900	6900		
21		900858-06900	1	BEARING, BALL 6900Z	6900Z		
22		900702-00022	1	CIRCLIP 22	CR-22		
23		900706-00010	1	CIRCLIP 10	WR-10		
40		890617-46730	1	LABEL, CAUTION			
41		696210-56930	1	DRUM, REEL			
42		696214-06830	1	REEL, CORD			
43		696212-06032	2	EYELET			
44		696215-22830	2	CORD, NYLON(2.4*2.5)			
46		696216-06030	1	SPRING			
47		696206-28232	1	COVER, DRUM (BL)			
48		696219-28231	1	NUT (BL)		Sus. by V299-000260	
48		V299-000260	1	KNOB,FASTENER	M16X2		
49		696220-06030	1	STOPPER, NUT			
50		900220-06010	1	SCREW 6*10	6*10		

11. Repair Kit

KEY	LV	PART NUMBER	Q'TY	DESCRIPTION	REMARKS	NOTE1	NOTE2
		125303-42030	1	GASKET/DIAPHRAGM KIT			
5-3	+	125341-42030	1	DIAPHRAGM			
5-4	+	125340-42030	1	GASKET, DIAPHRAGM			
5-22	+	125312-12820	1	DIAPHRAGM, FUEL PUMP			
5-23	+	125325-13310	1	GASKET, PUMP			
		125300-12620	1	REBUILD KIT			
5-3	+	125341-42030	1	DIAPHRAGM			
5-4	+	125340-42030	1	GASKET, DIAPHRAGM			
5-6	+	125338-13930	1	PIN, METERING ARM			
5-7	+	125323-42030	1	LEVER, METERING			
5-8	+	125322-12620	1	SPRING, COIL			
5-9	+	125337-06960	1	VALVE, INLET NEEDLE			
5-11	+	125345-15130	1	PLUG, WELCH			
5-21	+	125326-42030	1	STRAINER			
5-22	+	125312-12820	1	DIAPHRAGM, FUEL PUMP			
5-23	+	125325-13310	1	GASKET, PUMP			

Index

Patrs Number	Key No.	Patrs Number	Key No.	Patrs Number	Key No.
100000-55230	1 - 15	125327-15130	5 - 10	145610-55230	3 - 26
100011-05330	1 - 16	125333-08560	5 - 30	150112-44330	2 - 6
100013-22330	1 - 17	125334-13930	5 - 29	156111-55230	2 - 5
100014-11520	1 - 20	125337-06960	11 - 5-9	156626-55231	2 - 7
100015-04630	1 - 18	125337-06960	5 - 9	156801-55231	2 - 11
100100-55230	1 - 21	125338-13930	11 - 5-6	159010-10230	2 - 1
100100-55231	1 - 21	125338-13930	5 - 6	159011-03432	2 - 2
100100-55232	1 - 21	125339-42030	5 - 5	159012-01620	2 - 4
100204-55230	1 - 25	125340-42030	11 - 5-4	159015-55230	2 - 3
100204-55231	1 - 25	125340-42030	11 - 5-4	159112-09960	7 - 12
100212-42030	1 - 26	125340-42030	5 - 4	159112-09961	7 - 12
100212-42031	1 - 26	125341-42030	11 - 5-3	159902-55230	1 - 4
100215-03930	1 - 29	125341-42030	11 - 5-3	162014-27230	2 - 10
100242-55230	1 - 28	125341-42030	5 - 3	162110-56530	9 - 7
101010-22331	1 - 14	125342-13210	5 - 2	163400-48030	7 - 8
101011-55230	1 - 13	125344-08560	5 - 29	163400-49330	9 - 23
101503-55230	1 - 31	125344-52130	5 - 1	175005-40930	2 - 22
101514-55230	1 - 8	125345-15130	11 - 5-11	175009-05532	2 - 16
101531-55230	1 - 10	125345-15130	5 - 11	175009-55930	2 - 16
101534-55230	1 - 33	125363-11610	5 - 27	175009-55931	2 - 16
125200-55230	3 - 9	125372-42030	5 - 20	175012-03930	1 - 19
125200-55230	5 -	125376-55230	5 - 31	175018-05535	2 - 17
125200-55231	3 - 9	125378-13930	5 - 30	175046-22332	2 - 18
125200-55231	5 -	125381-08660	5 - 26	175048-05530	2 - 15
125200-55232	3 - 9	125383-13310	5 - 24	177200-55230	2 - 28
125200-55232	5 -	129011-51730	3 - 15	177202-55230	2 - 25
125300-12620	11 -	130007-51231	3 - 6	177215-40630	2 - 30
125303-42030	11 -	130010-55230	3 - 5	177218-55230	2 - 27
125310-11610	5 - 28	130016-42031	3 - 7	177220-40630	2 - 31
125312-12820	11 - 5-22	130111-00530	4 - 5	177226-40630	2 - 32
125312-12820	11 - 5-22	130301-51730	3 - 11	177227-05530	2 - 33
125312-12820	5 - 22	130302-52130	3 - 19	177228-06530	2 - 34
125313-42030	5 - 17	130302-52131	3 - 19	177234-40630	2 - 26
125314-13930	5 - 13	130310-51730	3 - 17	177236-40630	2 - 29
125316-07260	5 - 12	130406-52130	3 - 21	178001-47530	7 - 10
125317-42030	5 - 18	130406-52131	3 - 21	178001-51030	9 - 8
125318-42030	5 - 16	131004-55530	4 - 19	178003-52130	9 - 17
125319-42030	5 - 14	131010-41930	4 - 14	178010-05960	7 - 5
125320-51030	5 - 15	131016-55830	4 - 20	178010-52130	9 - 21
125322-12620	11 - 5-8	131051-56030	4 - 21	178012-05960	7 - 7
125322-12620	5 - 8	131205-14930	4 - 11	178012-52630	9 - 20
125323-42030	11 - 5-7	131300-56430	4 - 4	178013-35631	7 - 6
125323-42030	5 - 7	131924-40930	4 - 23	178013-52630	9 - 26
125325-13310	11 - 5-23	131925-22330	4 - 13	178043-42230	9 - 22
125325-13310	11 - 5-23	132010-13930	4 - 12	178090-52630	9 - 25
125325-13310	5 - 23	132010-56330	4 - 6	178090-52631	9 - 25
125326-42030	11 - 5-21	132013-09820	4 - 9	178090-52632	9 - 25
125326-42030	5 - 21	132115-46730	4 - 8	178127-47530	7 - 11
125327-13930	5 - 19	145510-55230	3 - 25	178510-51730	3 - 10

Index

Patrs Number	Key No.	Patrs Number	Key No.	Patrs Number	Key No.
178515-05060	3 - 14	610444-56830	10 - 8	895610-00130	6 - 1
178516-00830	3 - 13	610444-56830	8 - 8	897518-01131	6 - 4
178810-05230	3 - 12	610473-52130	10 - 15	898523-47130	8 - 33
224924-52130	7 - 14	610473-52130	8 - 15	898523-50030	8 - 33
301000-55230	9 - 31	610473-52131	10 - 15	899580-40930	6 - 5
301000-55231	9 - 31	610473-52131	8 - 15	899580-68730	6 - 5
301001-56830	7 - 28	610903-55230	1 - 36	900100-05018	9 - 13
301001-56831	7 - 28	610910-55230	1 - 35	900105-05012	7 - 16
301015-05330	7 - 30	610922-27432	1 - 38	900105-05060	3 - 27
301200-21330	7 - 15	610923-55230	1 - 39	900141-05012	8 - 41
301200-29430	9 - 15	695001-44730	8 - 32	900162-05014	6 - 28
301205-21330	7 - 31	695001-44731	8 - 32	900162-05018	6 - 27
301207-08930	9 - 12	696001-44730	8 - 31	900162-05020	1 - 12
301305-24330	9 - 32	696001-44731	8 - 31	900162-05020	7 - 20
305110-40930	4 - 24	696206-28232	10 - 47	900162-05025	1 - 37
351102-47530	7 - 1	696210-56930	10 - 41	900162-05025	3 - 8
351201-54130	9 - 2	696212-06032	10 - 43	900162-05025	6 - 29
351213-52130	9 - 27	696214-06830	10 - 42	900162-05030	7 - 19
351214-52130	7 - 23	696215-22830	10 - 44	900162-06025	10 - 19
351301-52130	7 - 17	696216-06030	10 - 46	900162-06025	8 - 19
351311-02330	7 - 24	696219-28231	10 - 48	900220-05030	7 - 3
351421-52130	7 - 22	696220-06030	10 - 49	900220-06010	10 - 50
352325-55230	1 - 5	699000-52930	6 - 25	900238-04008	1 - 32
437210-11131	4 - 7	699000-52931	6 - 25	900238-04014	2 - 35
605014-54230	7 - 21	699010-52930	6 - 34	900238-04022	2 - 8
610011-25530	7 - 27	699010-52931	6 - 34	900238-05010	2 - 9
610011-25530	9 - 10	699012-03330	9 - 14	900238-05010	3 - 29
610206-23030	7 - 26	699013-52130	6 - 26	900238-05010	4 - 25
610206-23030	9 - 30	699013-56830	6 - 30	900238-05012	1 - 7
610272-52130	9 - 28	699016-52130	6 - 31	900238-05020	1 - 9
610281-54130	9 - 5	699016-54530	6 - 31	900238-05020	1 - 34
610300-25531	10 - 12	699200-56830	8 - 35	900238-05050	3 - 16
610300-25531	8 - 12	699226-05430	8 - 37	900242-05010	10 - 18
610310-56830	10 - 10	699227-04630	8 - 39	900242-05010	8 - 18
610310-56830	8 - 10	699228-08930	8 - 40	900242-05014	9 - 16
610313-52930	10 - 4	699229-56830	8 - 3	900242-05025	9 - 19
610313-52930	8 - 6	890118-49330	2 - 36	900242-05028	1 - 30
610313-56830	8 - 36	890121-47530	3 - 18	900242-05028	9 - 29
610314-52130	8 - 4	890157-39130	7 - 29	900242-05035	9 - 3
610320-52130	8 - 2	890157-39130	9 - 11	900242-05035	9 - 18
610352-56830	10 - 5	890177-46730	9 - 1	900246-03025	7 - 2
610352-56830	8 - 11	890611-55230	1 - 11	900253-04025	9 - 6
610400-52130	8 - 1	890617-43130	7 - 25	900500-00005	6 - 33
610400-52131	8 - 1	890617-43130	9 - 1	900500-00005	7 - 4
610400-52132	8 - 1	890617-46730	10 - 40	900500-00005	9 - 4
610434-50030	10 - 17	890617-46830	7 - 25	900500-00005	9 - 24
610434-50030	8 - 17	890617-63630	9 - 1	900500-00005	9 - 24
610434-50031	10 - 17	895112-00330	6 - 2	900502-00006	7 - 9
610434-50031	8 - 17	895410-08030	6 - 3	900502-00006	9 - 9

Index

Patrs Number	Key No.	Patrs Number	Key No.	Patrs Number	Key No.
900502-00008	2 - 14	x602-000020	6 - 3		
900565-50008	7 - 18				
900600-00005	3 - 28				
900600-00008	2 - 12				
900603-00005	6 - 32				
900603-50008	10 - 16				
900603-50008	8 - 16				
900605-00008	2 - 13				
900701-00012	2 - 19				
900702-00022	10 - 22				
900702-00022	8 - 22				
900702-00028	2 - 21				
900702-00032	10 - 7				
900702-00032	8 - 7				
900706-00010	10 - 23				
900706-00010	8 - 23				
900720-00004	1 - 6				
900720-00012	10 - 3				
900720-00012	8 - 5				
900807-06001	2 - 20				
900810-00626	10 - 13				
900810-00626	8 - 13				
900810-36201	1 - 27				
900812-06201	10 - 9				
900812-06201	8 - 9				
900814-06202	8 - 38				
900855-06900	10 - 20				
900855-06900	8 - 20				
900858-06900	10 - 21				
900858-06900	8 - 21				
94035-36201	1 - 27				
C062-000180	7 - 28				
C062-000181	7 - 28				
C400-000000	7 - 23				
C403-000140	9 - 27				
C535-000000	10 - 4				
C535-000000	8 - 6				
C535-000001	10 - 4				
C535-000001	8 - 6				
C535-000010	10 - 6				
C535-000010	8 - 14				
C535-000011	10 - 6				
C535-000011	8 - 14				
P005-000990	5 - 24				
P021-007470	8 - 33				
V299-000260	10 - 48				
V471-001190	4 - 12				
V471-001210	4 - 7				
X505-000140	9 - 1				

YAMABIKO CORPORATION

7-2 SUEHIROCHO 1-CHOME, OHME, TOKYO 198-8760, JAPAN
PHONE: 81-428-32-6118. FAX: 81-428-32-6145.



2605
No.