



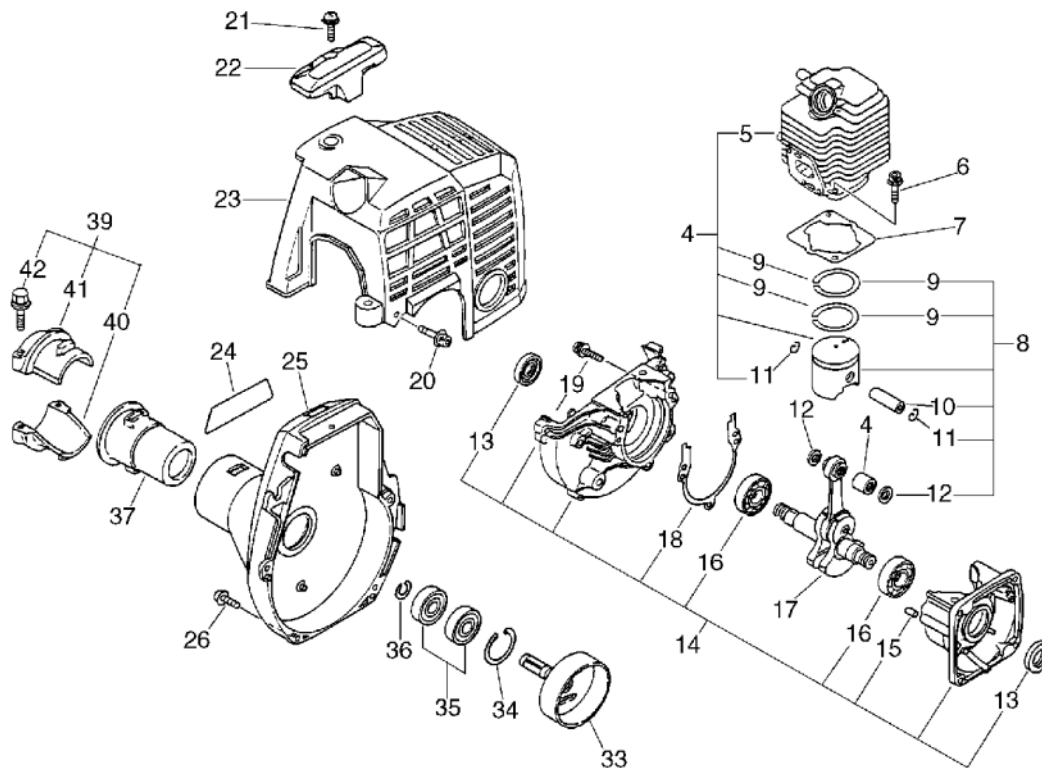
PARTS CATALOGUE

GRASS-TRIMMER / BRUSHCUTTER

SRM-2400

1. Cylinder, Crankcase, Piston, Fan Cover

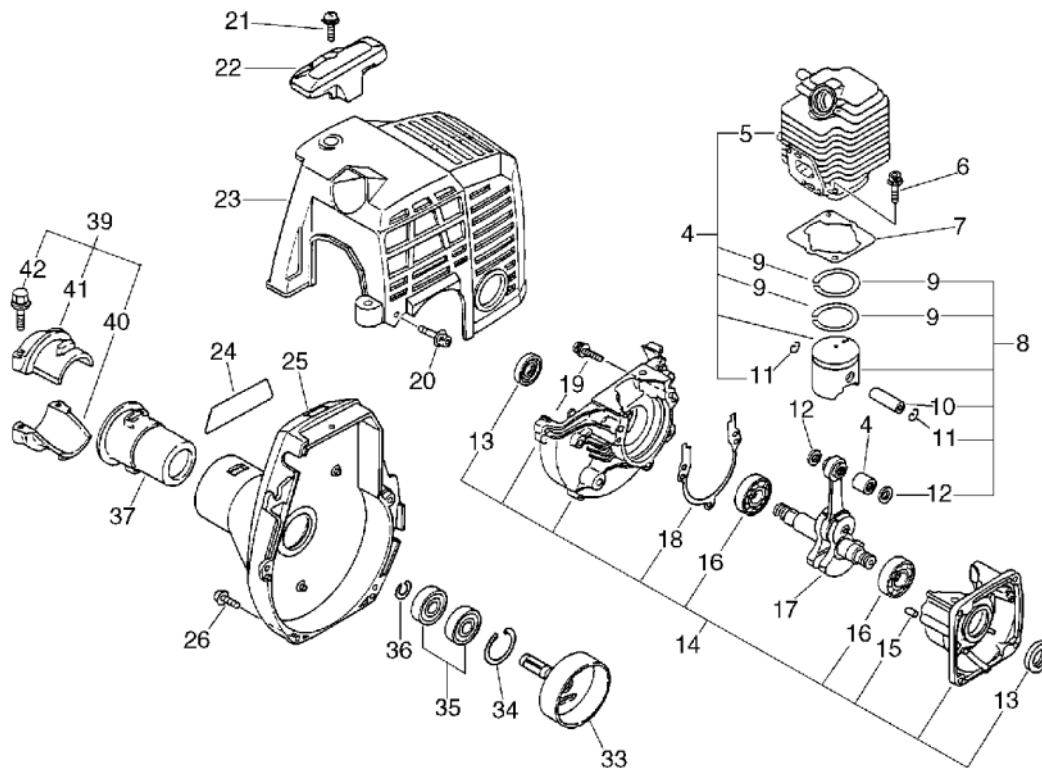
No.1



KEY	LV	PART NUMBER	Q'TY	DESCRIPTION	REMARKS	NOTE1	NOTE2
5		101011-08960	1	CYLINDER (CR)		Sus. by 101003-08960	
4		101003-08960	1	CYLINDER PISTON KIT			
5	+	101011-08961	1	CYLINDER (CR)		Sr/Nr 195575 and after	
9	+	100011-09560	2	RING, PISTON			
11	+	100015-04630	2	CIRCLIP, PISTON PIN			
6		900162-05022	2	BOLT, H.S. 5*22	5*22 W,SW		
7		101010-44332	1	GASKET, CYL. BASE			
8		100000-09562	1	PISTON KIT		Sus. by 100000-09563	
8		100000-09563	1	PISTON KIT			
9	+	100011-09560	2	RING, PISTON			
10	+	100013-11520	1	PIN, PISTON			
11	+	100015-04630	2	CIRCLIP, PISTON PIN			
12	+	100014-11520	2	SPACER, PISTON PIN			
14		100204-52130	1	CRANKCASE KIT		Sus. by 100204-52132	
14		100204-52131	1	CRANKCASE KIT		Sus. by 100204-52132	
14		100204-52132	1	CRANKCASE KIT			
13	+	100212-42030	2	OILSEAL	ISCD12*22*4.5	Sus. by 100212-42031	
13	+	100212-42031	2	OILSEAL	ISCD 12*22*4.5		

1. Cylinder, Crankcase, Piston, Fan Cover

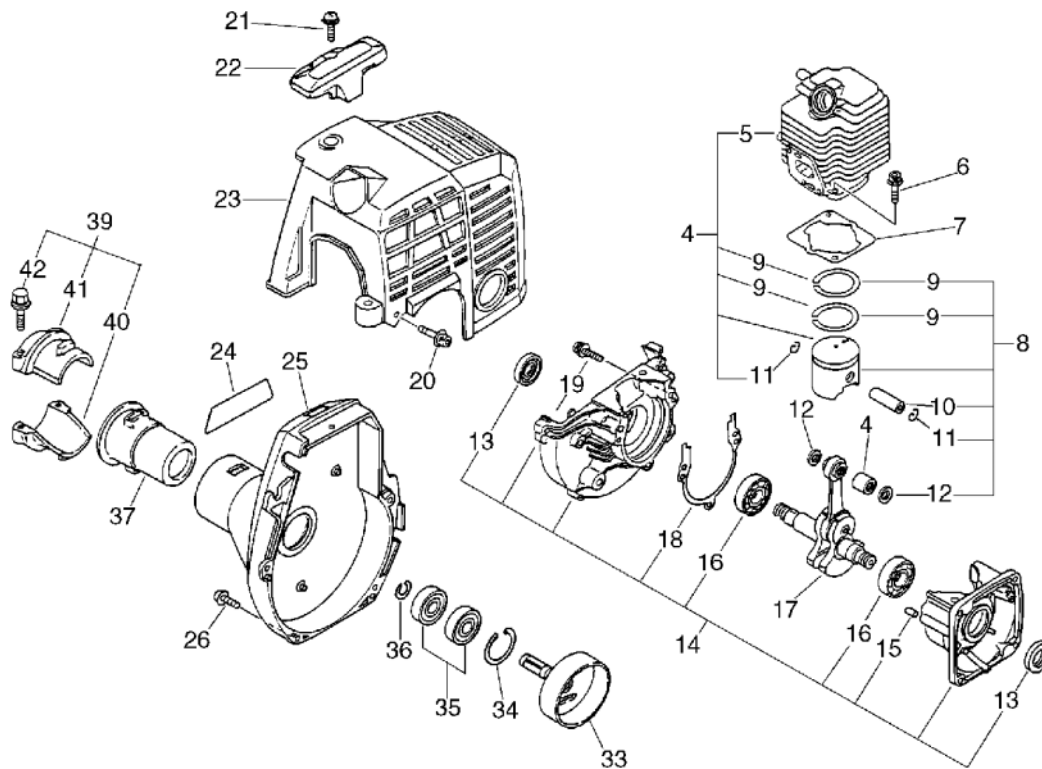
No.1



KEY	LV	PART NUMBER	Q'TY	DESCRIPTION	REMARKS	NOTE1	NOTE2
15	+	100215-03930	2	PIN, DOWEL		Sus. by V622-000020	
15	+	V622-000020	2	PIN, STRAIGHT 4	4*7.8		
16	+	900810-36201	2	BEARING, BALL 6201	6201/C3	Sus. by 94035-36201	
16	+	94035-36201	2	BEARING BALL	6201X3JR2C3		
18	+	100242-42030	1	GASKET, CRANKCASE			
19	+	900162-05028	3	BOLT, H.S. 5*28	5*28 W,SW		
17		100100-44732	1	CRANKSHAFT ASSY		Sus. by A011-000101	
17		A011-000100	1	CRANKSHAFT, ASM		Sus. by A011-000101	
17		A011-000101	1	CRANKSHAFT, ASM			
4	+	100012-51230	1	BEARING, NEEDLE	8*12*10	Sus. by V553-000010	
4	+	V553-000010	1	BEARING, NEEDLE 8	HK0810		
20		900162-04016	2	BOLT, H.S. 4*16	4*16 W,SW	Sus. by 900163-04016	
20		900163-04016	2	BOLT HSH			
21		900238-05016	1	SCREW 5*16	5*16		
22		159912-54130	1	GUARD, TOP			
23		101514-48930	1	COVER, CYLINDER			
24		890112-52130	1	LABEL, MODEL			
25		101503-52131	1	COVER ASSY, FAN			
26		900162-04016	4	BOLT, H.S. 4*16	4*16 W,SW	Sus. by 900163-04016	

1. Cylinder, Crankcase, Piston, Fan Cover

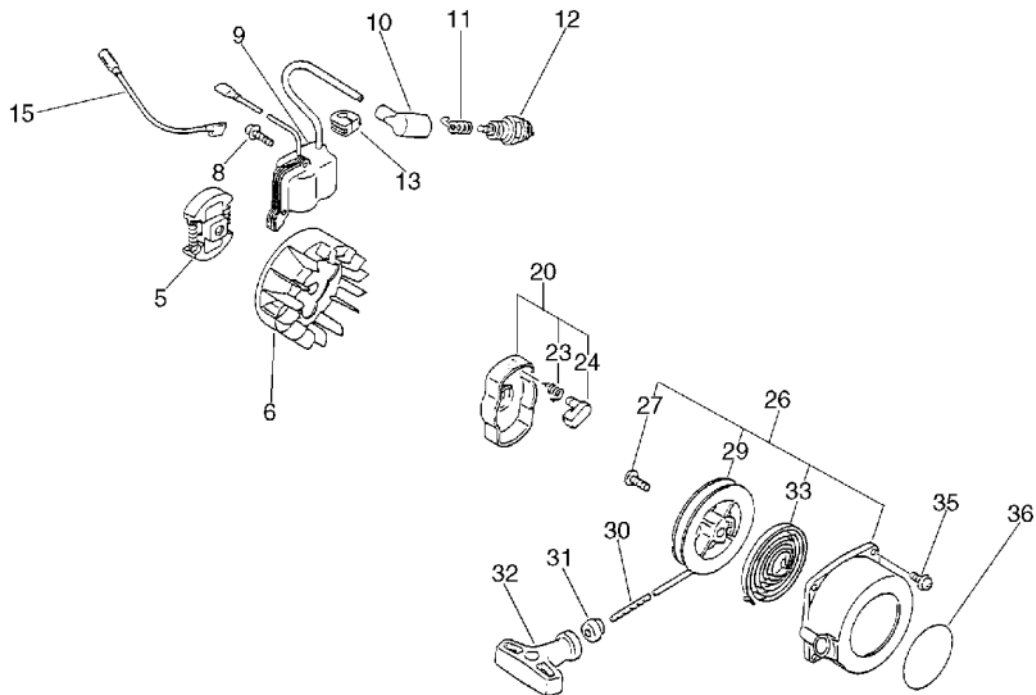
No.1



KEY	LV	PART NUMBER	Q'TY	DESCRIPTION	REMARKS	NOTE1	NOTE2
26		900163-04016	4	BOLT HSH			
33		175005-48930	1	DRUM, CLUTCH		Sus. by 175005-48931	
33		175005-48931	1	DRUM, CLUTCH			
34		900702-00028	1	CIRCLIP 28	CR-28		
35		900807-06001	2	BEARING, BALL 6001	6001V(LB)		
36		900701-00012	1	CIRCLIP 12	CS-12		
37		610910-55230	1	CUSHION			
39		610903-55230	1	HOLDER KIT			
40	+	610923-55230	1	HOLDER			
41	+	610922-27432	1	HOLDER			
42	+	900142-05025	2	BOLT 5*25 (W/W,SW)	5*25		

2. Starter, Magneto, Clutch

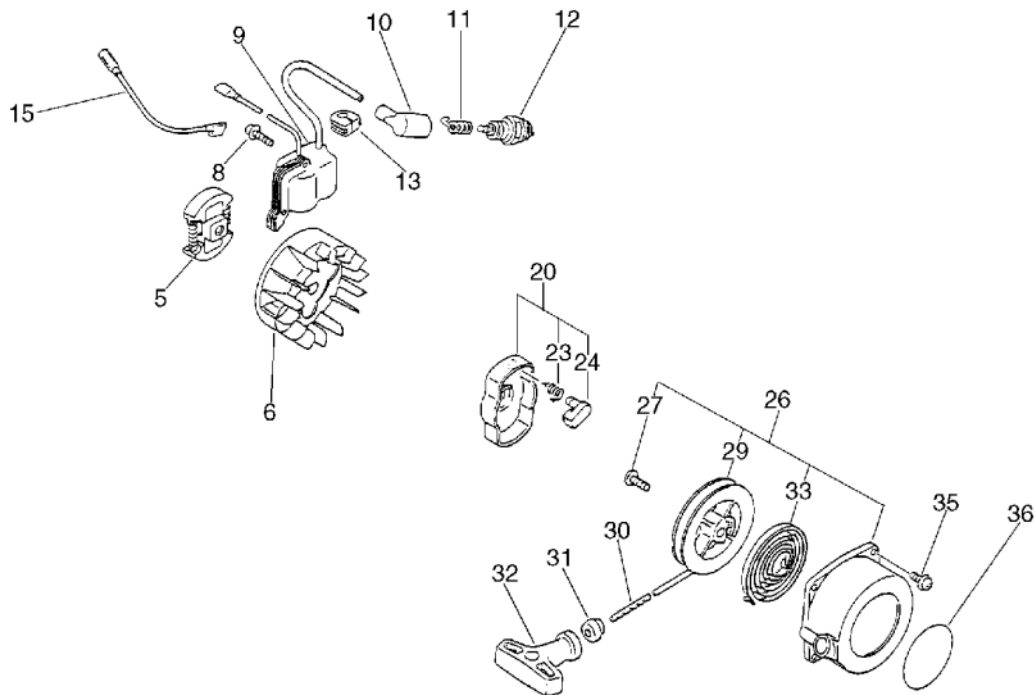
No.2



KEY	LV	PART NUMBER	Q'TY	DESCRIPTION	REMARKS	NOTE1	NOTE2
5		175000-49030	1	CLUTCH ASSY		Sus. by 175000-56830	
5		175000-56830	1	CLUTCH ASSY			
6		156801-44731	1	FLYWHEEL		Sr/Nr 208136 and before	
6		156801-09660	1	FLYWHEEL		Sr/Nr 208137 and after	
8		900162-04022	2	BOLT, H.S. 4*22	4*22 W,SW		
9		156601-52130	1	COIL, IGNITION		Sr/Nr 208136 and before	
9		156626-52730	1	COIL, IGNITION		Sr/Nr 208137 and after	
10		159012-03433	1	CAP, SPARK PLUG			
11		159011-03432	1	COIL, SPARK PLUG			
12		159017-10230	1	PLUG, SPARK (RCJ-7Y)	RCJ-7Y		
13		156112-40630	1	GROMMET			
15		162021-52130	1	LEAD	210L	Sus. by 162010-52830	
15		162010-52830	1	LEAD, GROUND			
20		177202-44330	1	PAWL ASSY, STARTER		Sus. by 177202-44331	
20		177202-44331	1	PAWL ASM., STARTER			
23	+	177234-42030	1	SPRING, RETURN		Sus. by 177234-12220	
23	+	177234-12220	1	SPRING, PAWL			
24	+	177218-44330	1	PAWL, STARTER	BLACK		

2. Starter, Magneto, Clutch

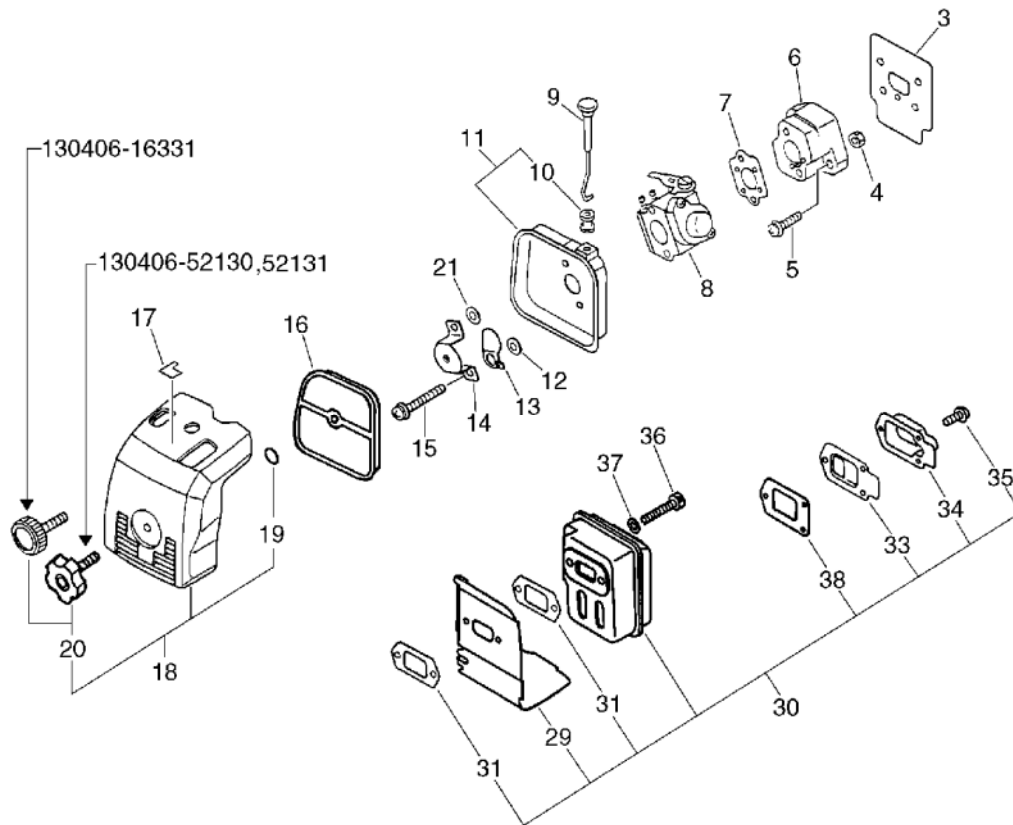
No.2



KEY	LV	PART NUMBER	Q'TY	DESCRIPTION	REMARKS	NOTE1	NOTE2
26		177200-42033	1	STARTER ASSY			
27	+	177236-44330	1	SCREW			
29	+	177215-44430	1	DRUM, STARTER			
30	+	177226-10120	1	ROPE, STARTER	3.0*1000		
31	+	177227-42030	1	GUIDE, ROPE			
32	+	177228-06530	1	GRIP, STARTER			
33	+	177220-42030	1	SPRING, REWIND			
35		900162-04016	2	BOLT, H.S. 4*16	4*16 W,SW	Sus. by 900163-04016	
35		900163-04016	2	BOLT HSH			
36		890118-49130	1	LABEL, ECHO			

3. Air Cleaner, Muffler

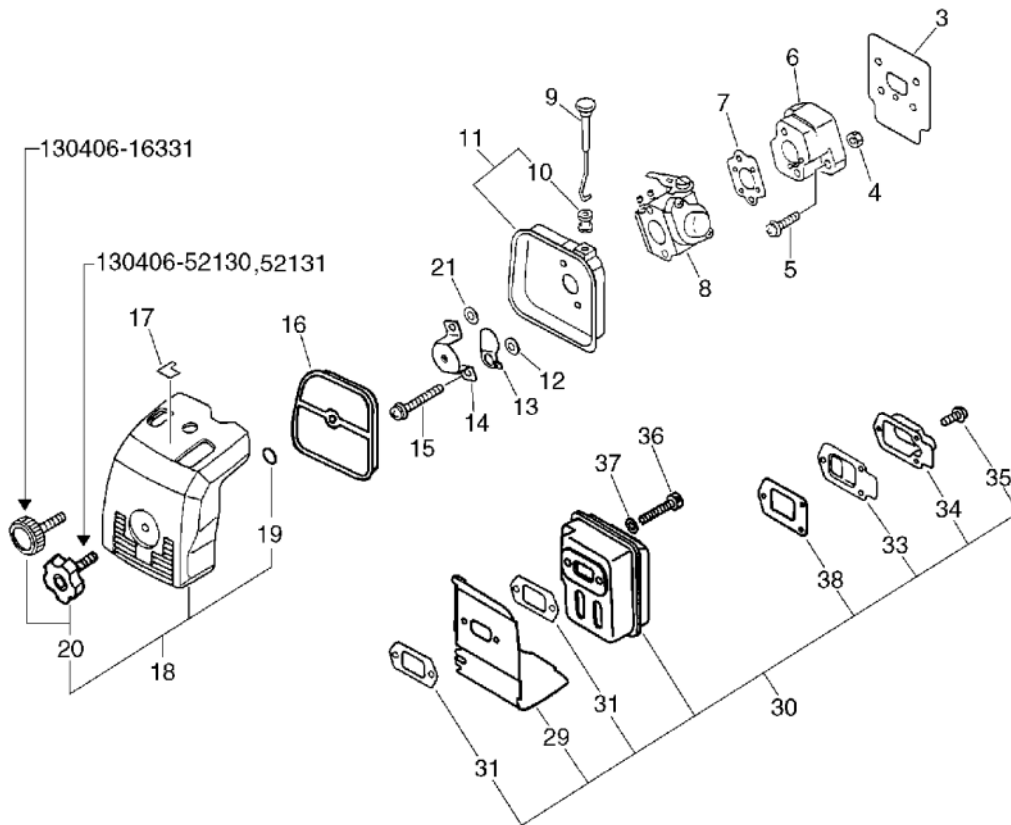
No.3



KEY	LV	PART NUMBER	Q'TY	DESCRIPTION	REMARKS	NOTE1	NOTE2
3		130010-42032	1	GASKET,INTAKE			
4		900500-00005	2	NUT 5	5		
5		900238-05020	2	SCREW 5*20	5*20		
6		130017-42031	1	INSULATOR, INTAKE			
7		130010-05960	1	GASKET, INTAKE			
8		123000-52130	1	CARBURETOR ASSY	WT-424	Sus. by 123000-52133	
8		123000-52131	1	CARBURETOR ASSY	WT-424A	Sus. by 123000-52133	
8		123000-52132	1	CARBURETOR ASSY	WT424B	Sus. by 123000-52133	
8		123000-52133	1	CARBURETOR WT-424C	WT-424C		
9		178510-51730	1	ROD, CHOKE			
11		130314-48930	1	CASE, CLEANER		Sr/Nr 102000 and before(W/O Grommet)	
11		130301-51730	1	CASE, AIR CLEANER		Sr/Nr 102001 and after(W.Grommet)	
10	+	178810-05230	1	GROMMET			
12		178516-00830	2	SPACER	5.2*8*0.8T	Sr/Nr 102000 and before	
12		178516-00830	1	SPACER	5.2*8*0.8T	Sr/Nr 102001 and after	
13		178515-05060	1	SHUTTER, CHOKE			

3. Air Cleaner, Muffler

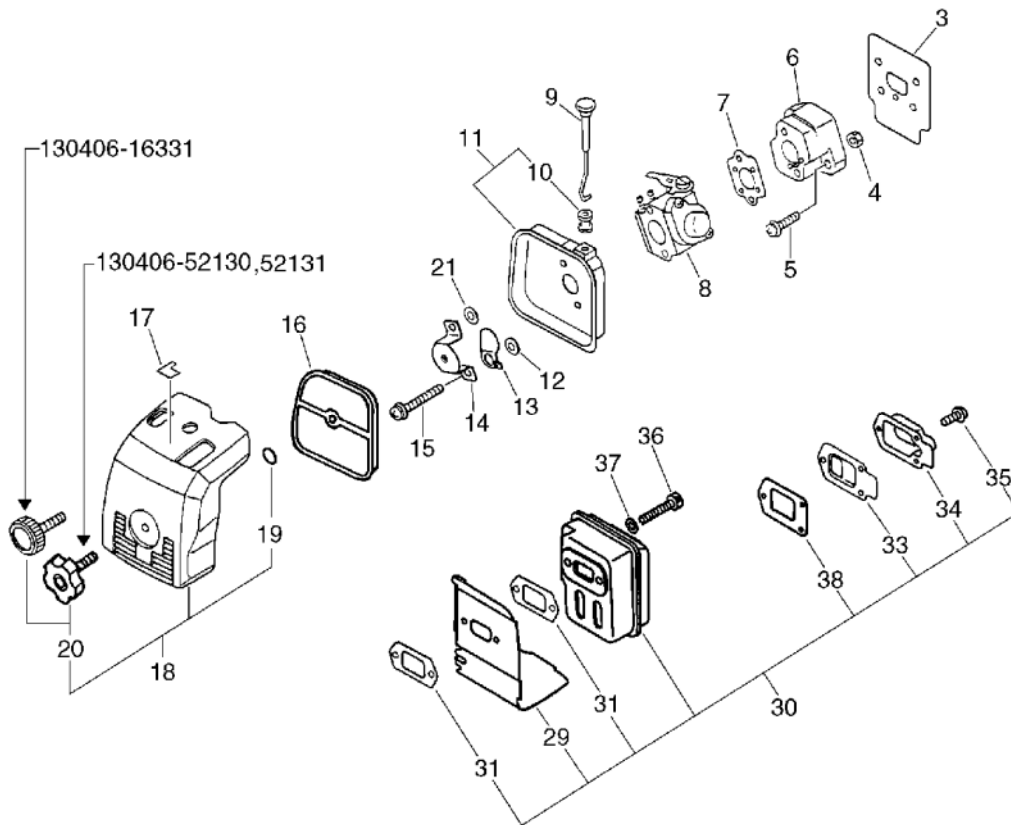
No.3



KEY	LV	PART NUMBER	Q'TY	DESCRIPTION	REMARKS	NOTE1	NOTE2
14		129011-51730	1	PLATE		Sr/Nr 102000 and before	
14		129011-52130	1	PLATE		Sus. by 129011-52131	
14		129011-52131	1	PLATE		Sr/Nr 102001 and after	
15		900242-05057	2	SCREW 5*57	5*57		
16		130310-52130	1	FILTER, AIR		Sr/Nr 102000 and before	
16		130310-51830	1	FILTER, AIR		Sr/Nr 102001 and after	
17		890121-47530	1	LABEL, CHOKE			
18		130302-48930	1	COVER ASSY, AIR CLN.		Sr/Nr 102000 and before	
18		130302-51730	1	COVER ASSY, AIR CLN.		Sus. by 130302-52131	
18		130302-51731	1	COVER ASSY, AIR CLN.		Sus. by 130302-52131	
18		130302-52130	1	COVER ASSY, AIR CLN.		Sus. by 130302-52131	
18		130302-52131	1	COVER ASY, A.CLEANER		Sr/Nr 102001 and after	
19	+	900720-00003	1	O-RING P-3	P-3	Can be used on the 130406-16331 only	

3. Air Cleaner, Muffler

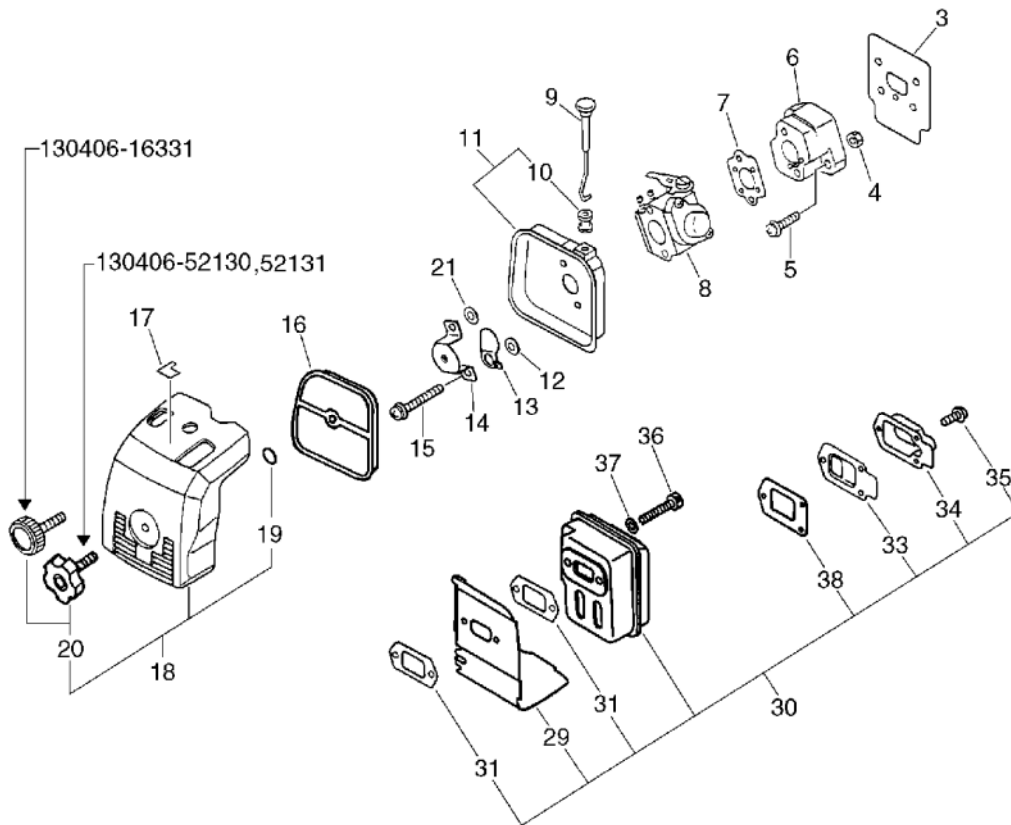
No.3



KEY	LV	PART NUMBER	Q'TY	DESCRIPTION	REMARKS	NOTE1	NOTE2
20	+	130406-16331	1	NUT, THUMB			Can be used on cleaner cover hole dia 4.3 mm
20	+	130406-52130	1	KNOB, FASTENER			Sus. by 130406-52131
20	+	130406-52131	1	KNOB, FASTENER			Can be used on cleaner cover hole dia 3.5 mm
21		900600-00005	1	WASHER 5	5		Sr/Nr 102001 and after
30		145802-52630	1	MUFFLER ASSY			Sus. by 145802-52633
30		145802-52632	1	MUFFLER ASY (SAM)			Sus. by 145802-52633
30		145802-52633	1	MUFFLER ASY (SAM)			
29	+	145871-44331	1	COVER, MUFFLER			Sus. by A320-000251
29	+	145631-42030	1	COVER, MUFFLER			Sus. by A320-000251
29	+	A320-000250	1	COVER,MUFFLER			Sus. by A320-000251
29	+	A320-000251	1	COVER,MUFFLER			
31	+	145510-42031	2	GASKET, MUFFLER			Sus. by V104-000160

3. Air Cleaner, Muffler

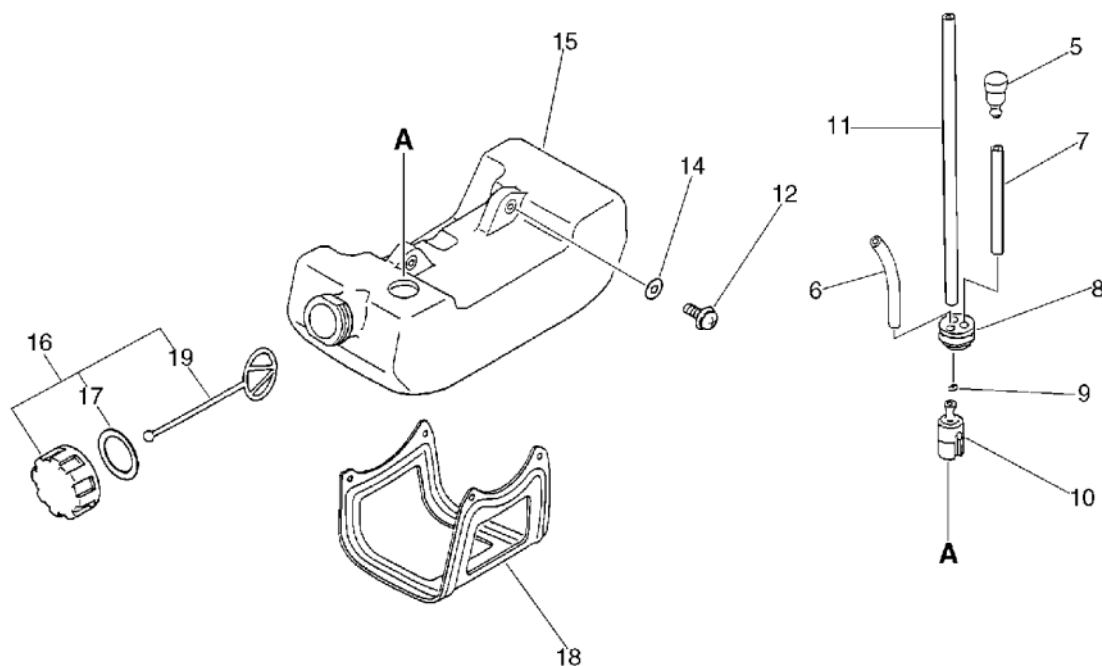
No.3



KEY	LV	PART NUMBER	Q'TY	DESCRIPTION	REMARKS	NOTE1	NOTE2
31	+	V104-000160	2	GASKET,EXHAUST			
33	+	145876-42030	1	LID, MUFFLER (B)			
34	+	145818-52130	1	GUIDE, EXHAUST			
35	+	900238-04010	3	SCREW 4*10	4*10		
38	+	145866-42031	1	GASKET, MUFFLER LID			
36		900105-05055	2	BOLT, H.S. 5*55	5*55		
37		900600-00005	2	WASHER 5	5		

4. Fuel Tank

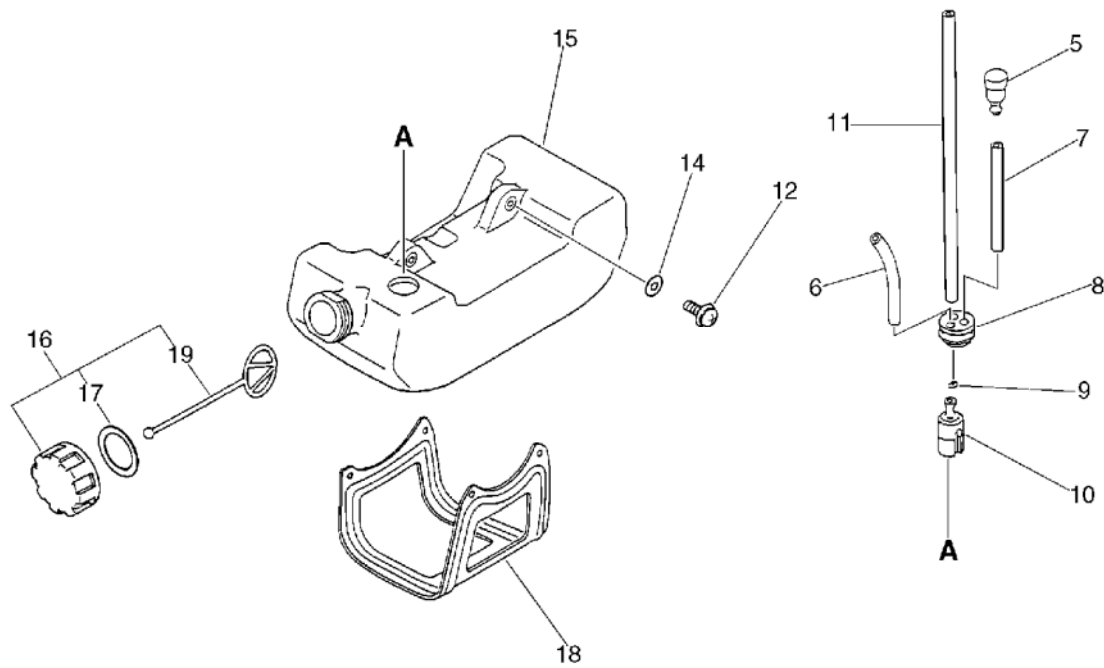
No.4



KEY	LV	PART NUMBER	Q'TY	DESCRIPTION	REMARKS	NOTE1	NOTE2
5		131300-56430	1	VALVE, CHECK		Sus. by A356-000030	
5		A356-000030	1	VALVE,CHECK			
6		132012-51030	1	PIPE 3*5*90	3*5*90 ㇿニ-ル	Sus. by 132010-56330	
6		132010-56330	1	PIPE 3*6*90	3*6*90 YL		
7		131312-44330	1	PIPE, 3*5*70L	3*5*70L NBR	Sus. by V471-001200	
7		131312-39130	1	PIPE	3*5*70(+3)NBR	Sus. by V471-001200	
7		V471-001200	1	PIPE	3*5*70 NBR		
8		132115-46730	1	GROMMET, FUEL		Sus. by V137-000030	
8		V137-000030	1	GROMMET,FUEL			
9		132013-09820	1	CLIP	6MM		
10		131205-07320	1	STRAINER, FUEL			
11		132010-13930	1	PIPE, FUEL	3*5*180L NBR	Sus. by V471-001190	
11		V471-001190	1	PIPE	3*5*180 NBR		
12		900238-05016	2	SCREW 5*16	5*16		
14		900603-00005	2	WASHER 5	5.5*12*0.8		
15		131005-44331	1	TANK, FUEL		Sus. by 131005-46831	
15		131005-46830	1	TANK, FUEL		Sus. by 131005-46831	
15		131005-46831	1	TANK, FUEL			

4. Fuel Tank

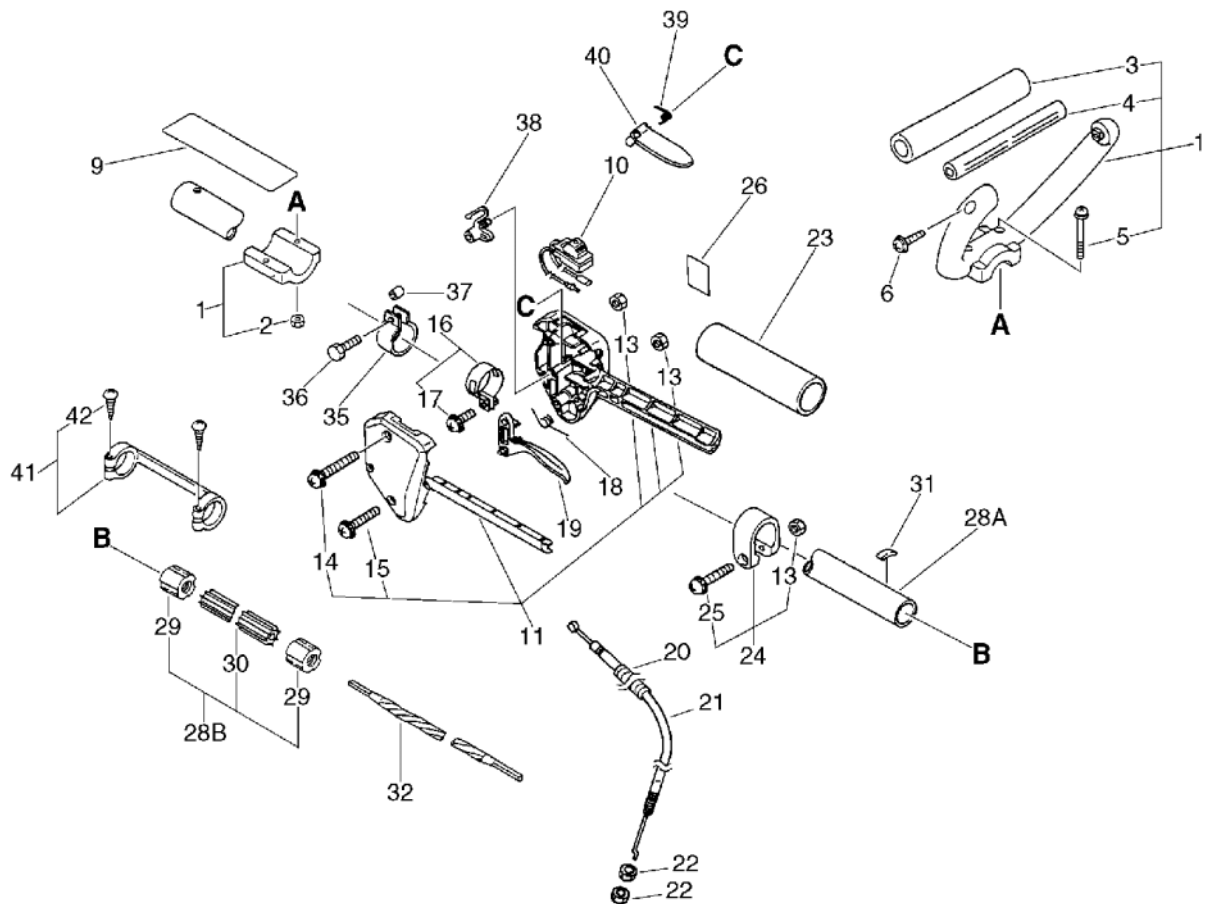
No.4



KEY	LV	PART NUMBER	Q'TY	DESCRIPTION	REMARKS	NOTE1	NOTE2
16		131004-06560	1	CAP ASSY,FUEL TANK		Sus. by 131004-08960	
16		131004-08960	1	CAP ASSY, FUEL			
17	+	131016-40930	1	GASKET, FUEL CAP		Sr/Nr 174766 and before	
17	+	131016-55830	1	GASKET, FUEL CAP		Sr/Nr 174767 and after	
19	+	131051-52430	1	CONNECTOR, CAP	80L		
18		305110-42030	1	STAND (BL)			

5. Handle

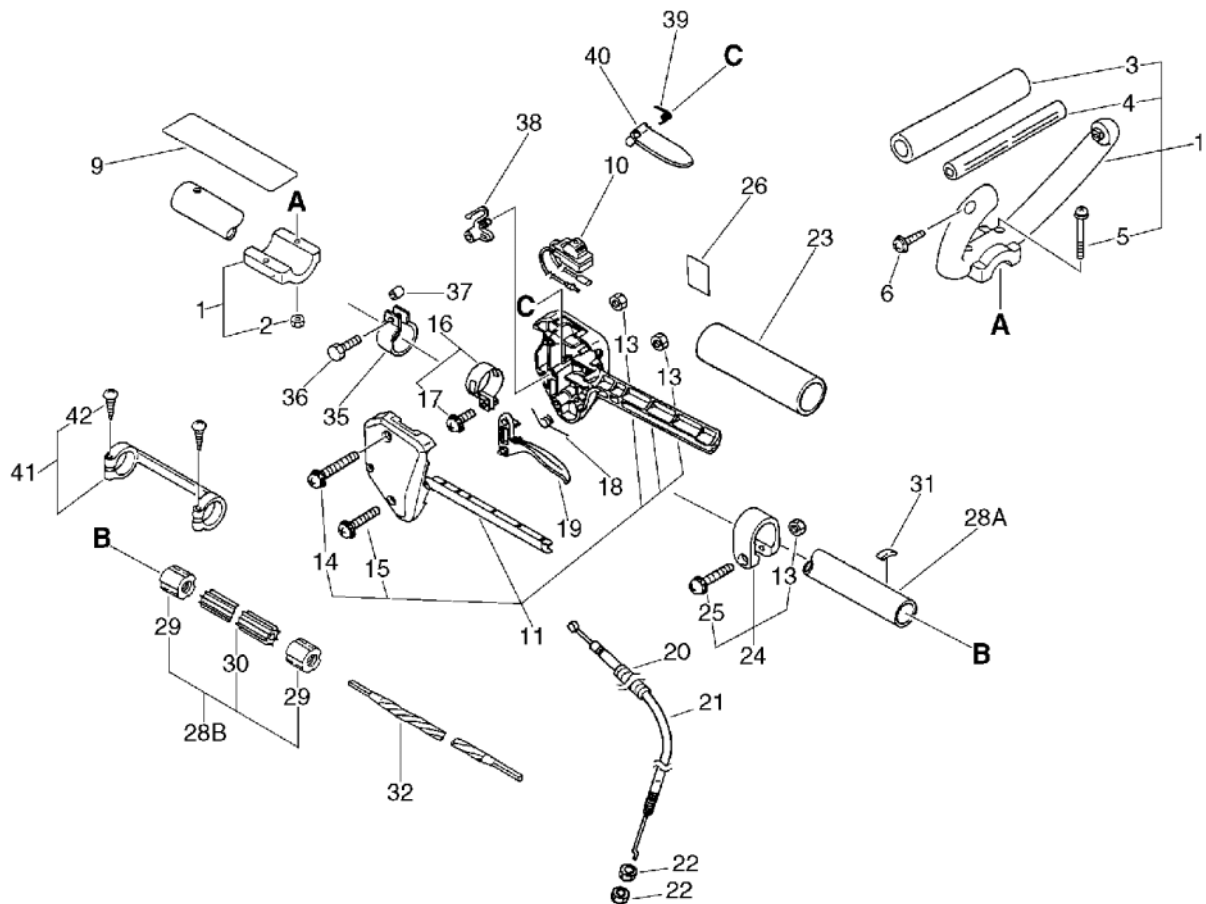
No.5



KEY	LV	PART NUMBER	Q'TY	DESCRIPTION	REMARKS	NOTE1	NOTE2
1		351201-51730	1	HANDLE ASSY, LOOP			
2	+	900500-00005	4	NUT 5	5		
3	+	351213-51730	1	GRIP, FRONT HANDLE			
4	+	351210-51730	1	HANDLE, REAR			
5	+	900242-05035	4	SCREW 5*35	5*35		
6	+	900246-05030	2	SCREW 5*30	5*30		
9		890617-52730	1	LABEL, CAUTION		Sus. by X505-000140	
9		890617-63630	1	LABEL, CAUTION		Sus. by X505-000140	
9		X505-000140	1	LABEL, CAUTION			
10		163400-49230	1	SWITCH, IGNITION			
11		178003-52130	1	BRACKET SET, THROTTLE			
13	+	900500-00005	2	NUT 5	5		
14	+	900242-05035	1	SCREW 5*35	5*35		
15	+	900242-05025	1	SCREW 5*25	5*25		
16		301200-29430	1	BAND ASSY			
17	+	900242-05014	1	SCREW 5*14	5*14		
18		178043-42230	1	SPRING, THR. RETURN			
19		178010-52130	1	CONTROL, THROTTLE			
20		178127-50330	1	TUBE	10*11*140		
21		178001-44430	1	WIRE, THROTTLE		Sus. by 178001-56730	
21		178001-56730	1	CABLE, THROTTLE			
22		900502-00006	2	NUT 6 (3N)	3N6		
23		351213-52130	1	GRIP			

5. Handle

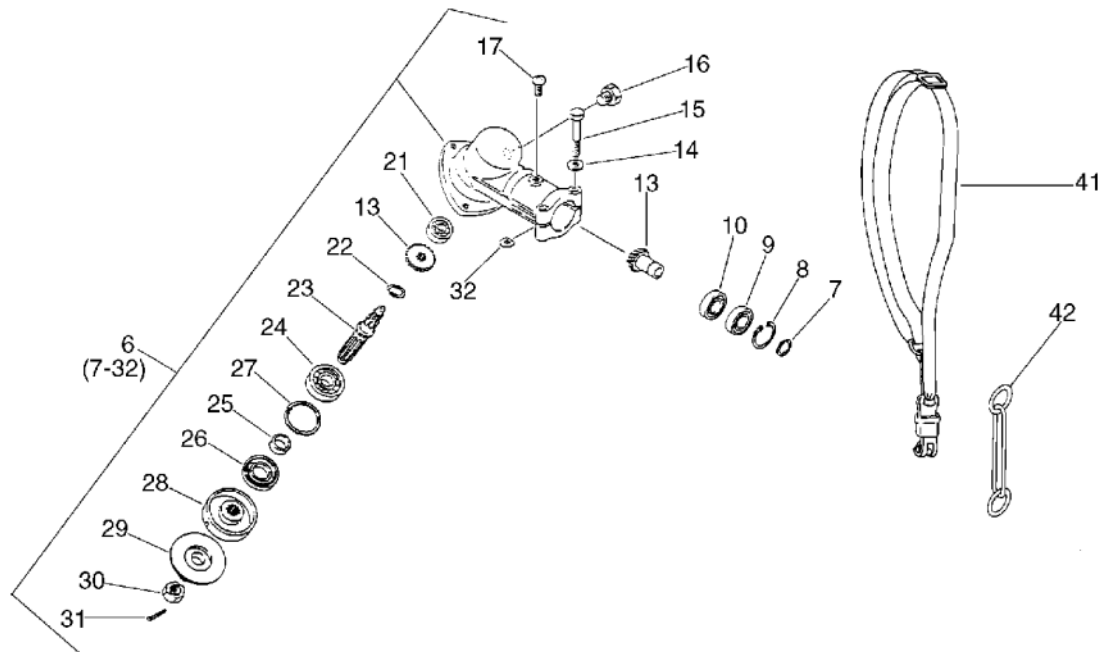
No.5



KEY	LV	PART NUMBER	Q'TY	DESCRIPTION	REMARKS	NOTE1	NOTE2
24		610272-52130	1	BAND			
13	+	900500-00005	1	NUT 5	5		
25	+	900242-05028	1	SCREW 5*28	5*28		
26		890157-39130	1	LABEL, SWITCH			
28		610206-44730	1	HOUSING ASSY, D.SHFT		Sus. by C050-000460	
28		C050-000460	1	PIPE,MAIN			
29	+	610246-44730	2	STOPPER			
30	+	610217-44730	1	LINER, FLEXIBLE			
31		890152-04930	1	LABEL, CAUTION			
32		610013-44730	1	SHAFT, FLEXIBLE			
35		301207-08930	1	HOOK			
36		900100-05018	1	BOLT 5*18	5*18		
37		699012-03330	1	SPACER			
38		178012-52730	1	LOCKOUT, THROTTLE			
39		178013-52630	1	SPRING, THR. LOCK			
40		178090-52630	1	LOCKOUT, T. CONTROL		Sus. by 178090-52632	
40		178090-52631	1	LOCKOUT, T. CONTROL		Sus. by 178090-52632	
40		178090-52632	1	LOCKOUT, T. CONTROL			
41		610281-46730	1	COLLER			
42	+	900253-04025	2	SCREW 4*25	4*25		

6. Gear Case

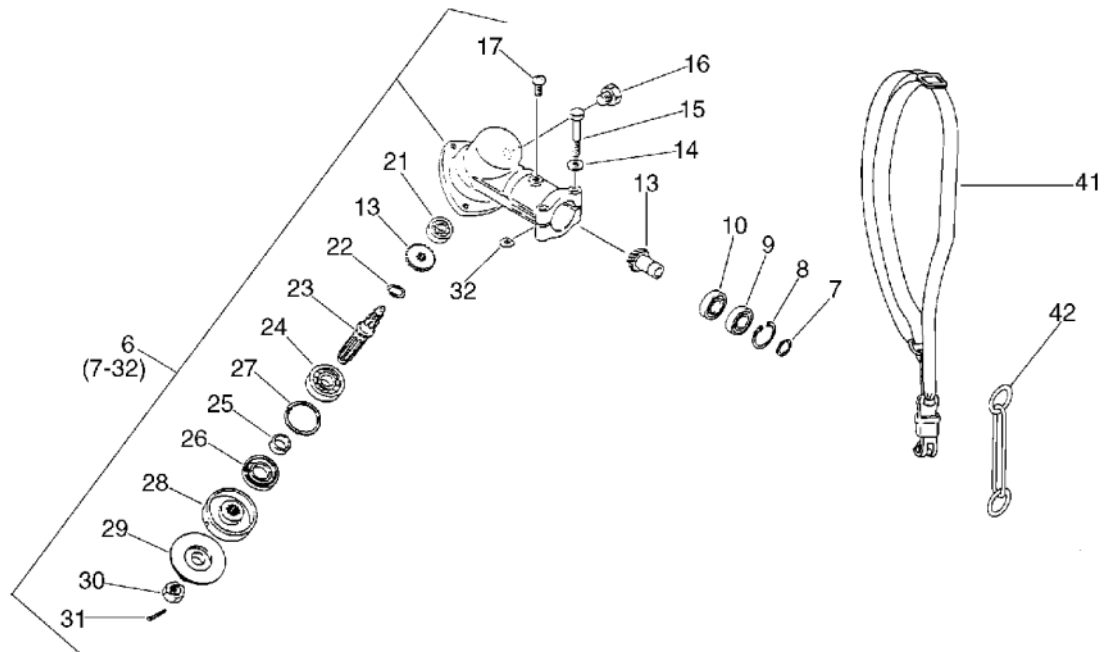
No.6



KEY	LV	PART NUMBER	Q'TY	DESCRIPTION	REMARKS	NOTE1	NOTE2
6		610402-40930	1	HOUSING ASSY, GEAR		Sus. by 610402-40932	
6		610402-40931	1	CASE ASY, GEAR		Sus. by 610402-40932	
6		610402-40932	1	CASE ASY, GEAR			
7	+	900706-00012	1	CIRCLIP 12	WR-12		
8	+	900702-00022	1	CIRCLIP 22	CR-22		
9	+	900858-06900	1	BEARING, BALL 6900Z	6900Z		
10	+	900855-06900	1	BEARING, BALL 6900	6900		
13	+	610300-44830	1	GEAR SET			
14	+	900600-00005	2	WASHER 5	5		
15	+	900100-05035	2	BOLT 5*35	5*35		
16	+	610434-50030	1	BOLT 8*6		Sus. by 610434-50031	
16	+	610434-50031	1	BOLT 8*8	M8*8		
17	+	900242-05010	1	SCREW 5*10	5*10		
21	+	900800-00609	1	BEARING, BALL 609	609		
22	+	900706-00010	1	CIRCLIP 10	WR-10		
23	+	610360-08931	1	SHAFT, P.T.O.			
24	+	900810-06201	1	BEARING, BALL 6201	6201		
25	+	610315-07130	1	SPACER			
26	+	610413-07130	1	OILSEAL			
27	+	900702-00032	1	CIRCLIP 32	CR-32		
28	+	610338-08930	1	PLATE, ADAPTER (U)		Sus. by 610313-07132	

6. Gear Case

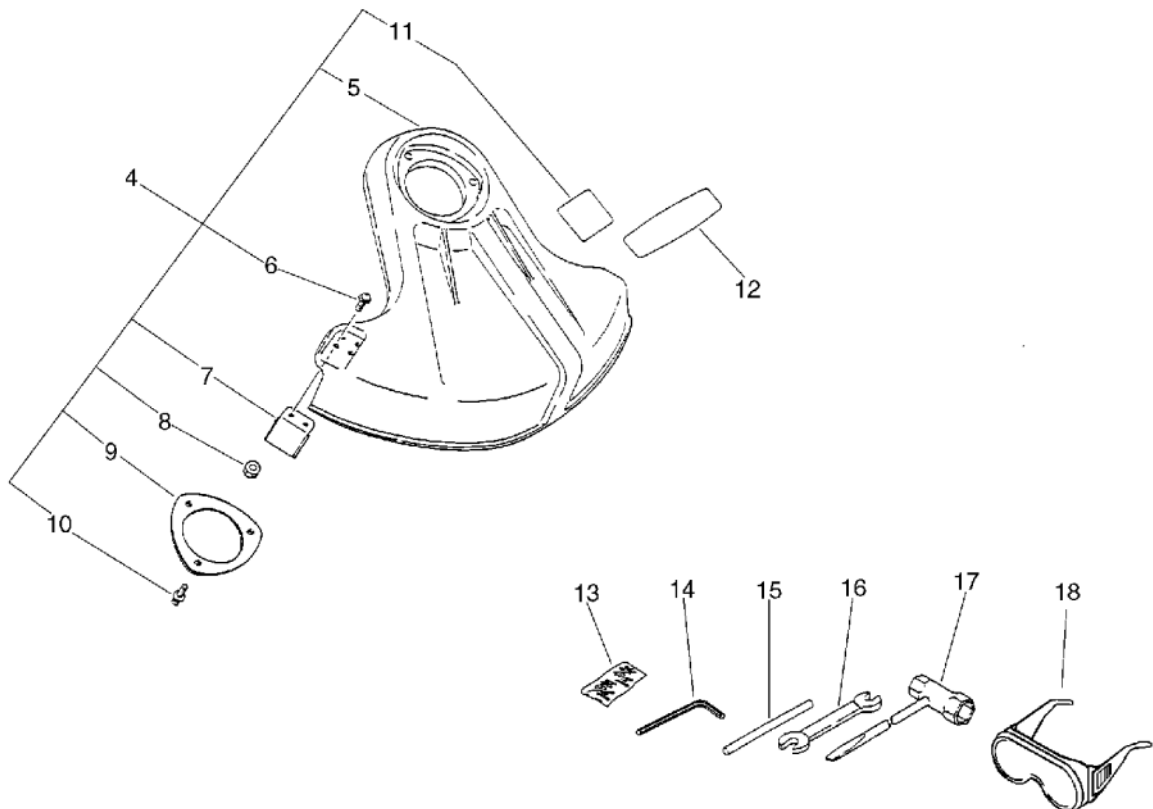
No.6



KEY	LV	PART NUMBER	Q'TY	DESCRIPTION	REMARKS	NOTE1	NOTE2
28	+	610313-07130	1	PLATE, ADAPTER (U)	PD 25.4	Sus. by 610313-07132	
28	+	610313-07131	1	PLATE, ADAPTER (U)	PD 25.4	Sus. by 610313-07132	
28	+	610313-07132	1	PLATE, ADAPTER (U)			
29	+	610314-04131	1	PLATE, ADAPTER (L)			
30	+	900511-00010	1	NUT 10 (L-H)	10*P1.25		
31	+	900300-20022	1	PIN, SPLIT 2*22	2*22		
32	+	610239-04130	2	WASHER, SHIM			
34		900500-00005	2	NUT 5	5		
35		900605-00005	2	WASHER, SPRING 5	5		
41		301001-54130	1	HARNESS, SHOULDER			
42		301016-52730	1	RING, HARNESS			

7. Shield, Tools

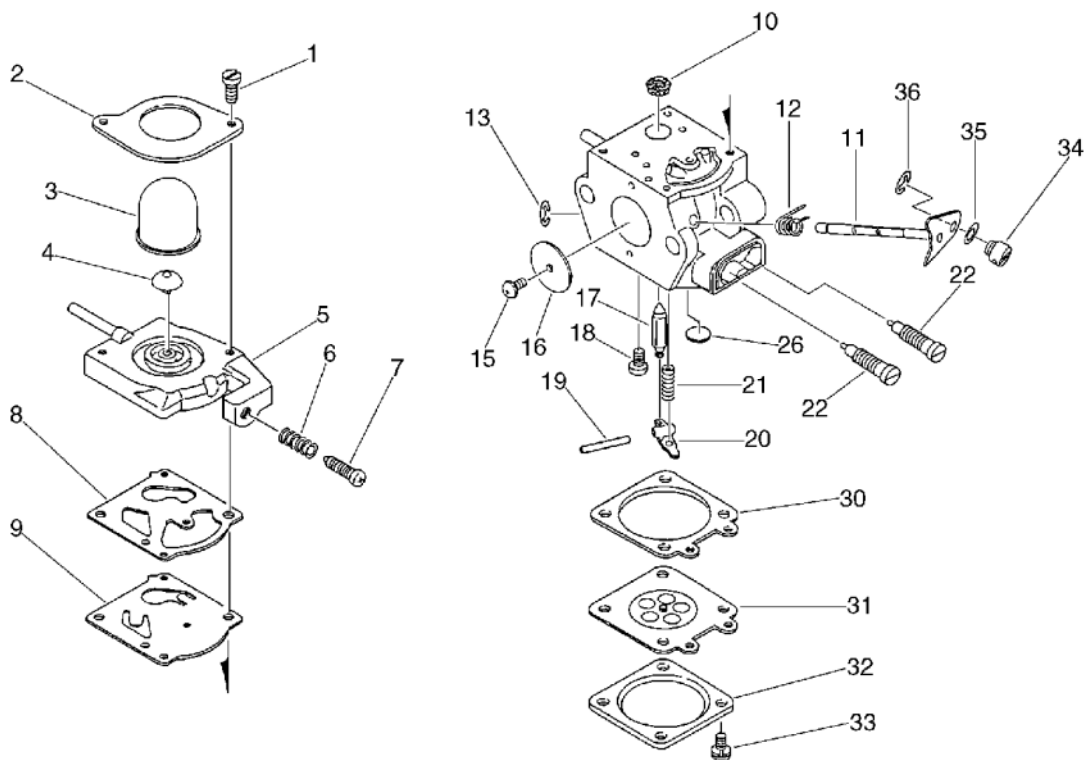
No.7



KEY	LV	PART NUMBER	Q'TY	DESCRIPTION	REMARKS	NOTE1	NOTE2
4		699000-40931	1	SHIELD ASSY		Sus. by 699004-40931	
4		699004-40931	1	SHIELD ASSY W/LABEL			
5	+	699010-27231	1	SHIELD, BLADE			
6	+	900238-05016	2	SCREW 5*16	5*16		
7	+	699016-44330	1	CUTTER			
8	+	900500-00005	2	NUT 5	5		
9	+	699018-40830	1	BRACKET, SHIELD		Sus. by C552-000110	
9	+	C552-000110	1	PLATE,SHIELD			
10	+	900238-05016	3	SCREW 5*16	5*16		
11	+	890168-44830	1	LABEL, CAUTION			
12		890118-48830	1	LABEL, ECHO			
13		898502-01130	1	PIN 2*22 (W/POUCH)			
14		895612-03430	1	L-WRENCH (3MM)			
15		897518-01131	1	LOCKING TOOL			
16		895112-00330	1	SPANNER 8*10			
17		895410-08030	1	WRENCH, W/S. DRIVER		Sus. by X602-000020	
17		X602-000020	1	TOOL,WRENCH	17*19 L200		
18		899580-40930	1	GOGGLE		Sus. by P021-002861	
18		899580-68730	1	SAFETY GLASSES		Sus. by P021-002861	
18		P021-002861	1	GOGGLES			

8. Carburetor

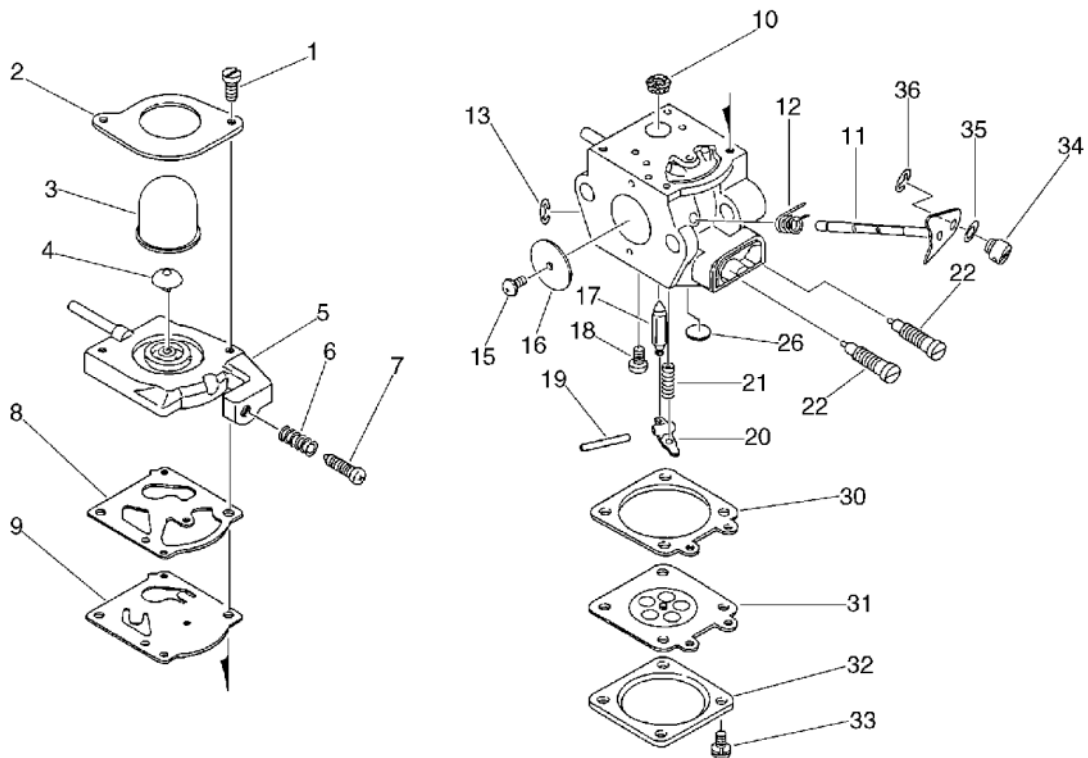
No.8



KEY	LV	PART NUMBER	Q'TY	DESCRIPTION	REMARKS	NOTE1	NOTE2
		123000-52130	1	CARBURETOR ASSY	WT-424	Sus. by 123000-52133	
		123000-52131	1	CARBURETOR ASSY	WT-424A	Sus. by 123000-52133	
		123000-52132	1	CARBURETOR ASSY	WT424B	Sus. by 123000-52133	
		123000-52133	1	CARBURETOR WT-424C	WT-424C		
1	+	123110-43130	2	SCREW			
2	+	123142-09560	1	COVER, PRIMER PUMP			
3	+	123181-09560	1	PUMP, PRIMER			
4	+	123171-35630	1	VALVE, CHECK			
5	+	123124-43230	1	COVER, FUEL PUMP			
6	+	123133-04260	1	SPRING, IDLE ADJUST			
7	+	123134-04260	1	SCREW, IDLE ADJUST			
8	+	123125-09560	1	GASKET, FUEL PUMP			
9	+	123112-09560	1	DIAPHRAGM, FUEL PUMP			
10	+	123126-10631	1	SCREEN, INLET			
11	+	123117-52130	1	SHAFT, THROTTLE			
12	+	123113-52130	1	SPRING, THE.RTN			
13	+	123127-15030	1	RING			
15	+	123114-03930	1	SCREW		Can be used on 123000-52130 only	

8. Carburetor

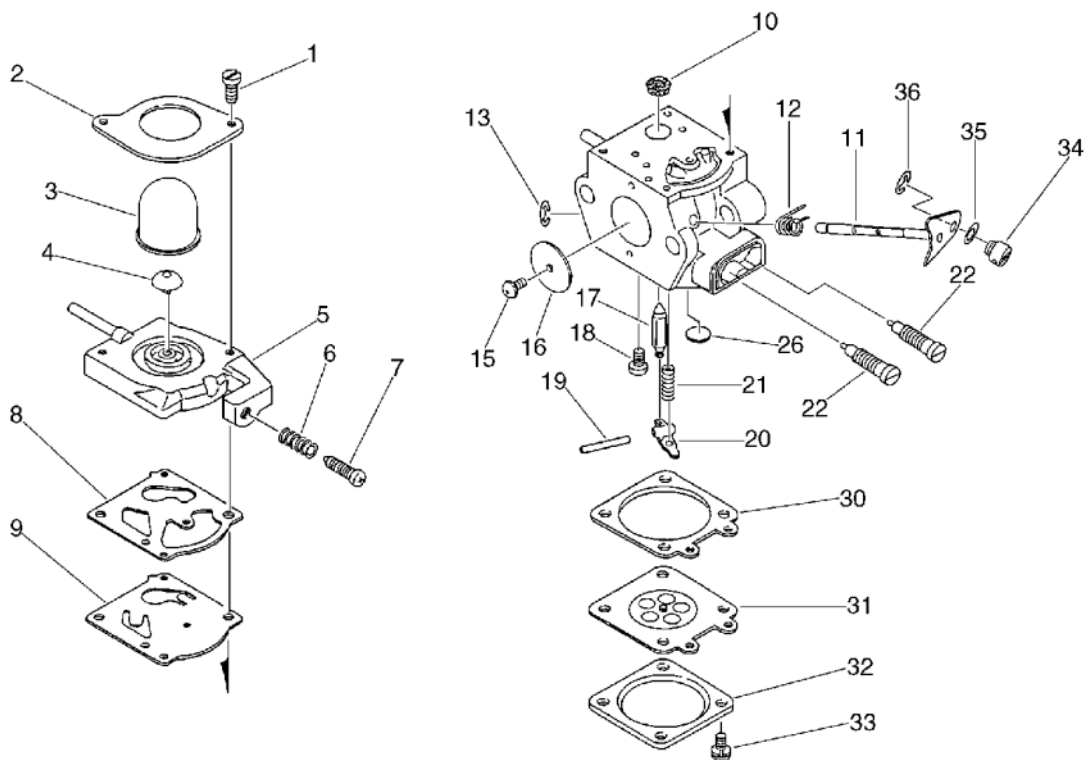
No.8



KEY	LV	PART NUMBER	Q'TY	DESCRIPTION	REMARKS	NOTE1	NOTE2
15	+	123114-38830	1	SCREW		Can be used on 123000- 52131,52132,5213 3	
16	+	123116-52130	1	VALVE, THROTTLE		Can be used on 123000-52130 only	
16	+	123116-53130	1	VALVE, THROTTLE		Can be used on 123000- 52131,52132,5213 3	
17	+	123137-19830	1	VALVE, INLET NEEDLE			
18	+	123139-03930	1	SCREW, M. LEVER PIN			
19	+	123138-03930	1	PIN, METERING LEVER			
20	+	123123-03930	1	LEVER, METERING			
21	+	123122-39330	1	SPRING, METER. LEVER			
22	+	123120-52130	2	NEEDLE, HIGH SPEED		Can be used on 123000-52130 and 123000-52131	
22	+	123120-52131	2	NEEDLE, HIGH SPEED		Can be used on 123000-52132 and 123000-52133	
26	+	123146-10631	1	PLUG, WELCH			
30	+	123140-03930	1	GASKET, M. DIAPHRAGM			

8. Carburetor

No.8



KEY	LV	PART NUMBER	Q'TY	DESCRIPTION	REMARKS	NOTE1	NOTE2
31	+	123141-03930	1	DIAPHRAGM, METERING			
32	+	123142-03930	1	COVER, M. DIAPHRAGM			
33	+	123130-02960	4	SCREW			
34	+	123172-26030	1	SWIVEL			
35	+	123149-26030	1	WASHER			
36	+	123173-07930	1	CLIP			

Index

Patrs Number	Key No.	Patrs Number	Key No.	Patrs Number	Key No.
100000-09562	1 - 8	123134-04260	8 - 7	145510-42031	3 - 31
100000-09563	1 - 8	123137-19830	8 - 17	145631-42030	3 - 29
100011-09560	1 - 9	123138-03930	8 - 19	145802-52630	3 - 30
100011-09560	1 - 9	123139-03930	8 - 18	145802-52632	3 - 30
100012-51230	1 - 4	123140-03930	8 - 30	145802-52633	3 - 30
100013-11520	1 - 10	123141-03930	8 - 31	145818-52130	3 - 34
100014-11520	1 - 12	123142-03930	8 - 32	145866-42031	3 - 38
100015-04630	1 - 11	123142-09560	8 - 2	145871-44331	3 - 29
100015-04630	1 - 11	123146-10631	8 - 26	145876-42030	3 - 33
100100-44732	1 - 17	123149-26030	8 - 35	156112-40630	2 - 13
100204-52130	1 - 14	123171-35630	8 - 4	156601-52130	2 - 9
100204-52131	1 - 14	123172-26030	8 - 34	156626-52730	2 - 9
100204-52132	1 - 14	123173-07930	8 - 36	156801-09660	2 - 6
100212-42030	1 - 13	123181-09560	8 - 3	156801-44731	2 - 6
100212-42031	1 - 13	129011-51730	3 - 14	159011-03432	2 - 11
100215-03930	1 - 15	129011-52130	3 - 14	159012-03433	2 - 10
100242-42030	1 - 18	129011-52131	3 - 14	159017-10230	2 - 12
101003-08960	1 - 4	130010-05960	3 - 7	159912-54130	1 - 22
101010-44332	1 - 7	130010-42032	3 - 3	162010-52830	2 - 15
101011-08960	1 - 5	130017-42031	3 - 6	162021-52130	2 - 15
101011-08961	1 - 5	130301-51730	3 - 11	163400-49230	5 - 10
101503-52131	1 - 25	130302-48930	3 - 18	175000-49030	2 - 5
101514-48930	1 - 23	130302-51730	3 - 18	175000-56830	2 - 5
123000-52130	3 - 8	130302-51731	3 - 18	175005-48930	1 - 33
123000-52130	8 -	130302-52130	3 - 18	175005-48931	1 - 33
123000-52131	3 - 8	130302-52131	3 - 18	177200-42033	2 - 26
123000-52131	8 -	130310-51830	3 - 16	177202-44330	2 - 20
123000-52132	3 - 8	130310-52130	3 - 16	177202-44331	2 - 20
123000-52132	8 -	130314-48930	3 - 11	177215-44430	2 - 29
123000-52133	3 - 8	130406-16331	3 - 20	177218-44330	2 - 24
123000-52133	8 -	130406-52130	3 - 20	177220-42030	2 - 33
123110-43130	8 - 1	130406-52131	3 - 20	177226-10120	2 - 30
123112-09560	8 - 9	131004-06560	4 - 16	177227-42030	2 - 31
123113-52130	8 - 12	131004-08960	4 - 16	177228-06530	2 - 32
123114-03930	8 - 15	131005-44331	4 - 15	177234-12220	2 - 23
123114-38830	8 - 15	131005-46830	4 - 15	177234-42030	2 - 23
123116-52130	8 - 16	131005-46831	4 - 15	177236-44330	2 - 27
123116-53130	8 - 16	131016-40930	4 - 17	178001-44430	5 - 21
123117-52130	8 - 11	131016-55830	4 - 17	178001-56730	5 - 21
123120-52130	8 - 22	131051-52430	4 - 19	178003-52130	5 - 11
123120-52131	8 - 22	131205-07320	4 - 10	178010-52130	5 - 19
123122-39330	8 - 21	131300-56430	4 - 5	178012-52730	5 - 38
123123-03930	8 - 20	131312-39130	4 - 7	178013-52630	5 - 39
123124-43230	8 - 5	131312-44330	4 - 7	178043-42230	5 - 18
123125-09560	8 - 8	132010-13930	4 - 11	178090-52630	5 - 40
123126-10631	8 - 10	132010-56330	4 - 6	178090-52631	5 - 40
123127-15030	8 - 13	132012-51030	4 - 6	178090-52632	5 - 40
123130-02960	8 - 33	132013-09820	4 - 9	178127-50330	5 - 20
123133-04260	8 - 6	132115-46730	4 - 8	178510-51730	3 - 9

Index

Patrs Number	Key No.	Patrs Number	Key No.	Patrs Number	Key No.
178515-05060	3 - 13	890157-39130	5 - 26	900600-00005	3 - 37
178516-00830	3 - 12	890168-44830	7 - 11	900600-00005	6 - 14
178516-00830	3 - 12	890617-52730	5 - 9	900603-00005	4 - 14
178810-05230	3 - 10	890617-63630	5 - 9	900605-00005	6 - 35
301001-54130	6 - 41	895112-00330	7 - 16	900701-00012	1 - 36
301016-52730	6 - 42	895410-08030	7 - 17	900702-00022	6 - 8
301200-29430	5 - 16	895612-03430	7 - 14	900702-00028	1 - 34
301207-08930	5 - 35	897518-01131	7 - 15	900702-00032	6 - 27
305110-42030	4 - 18	898502-01130	7 - 13	900706-00010	6 - 22
351201-51730	5 - 1	899580-40930	7 - 18	900706-00012	6 - 7
351210-51730	5 - 4	899580-68730	7 - 18	900720-00003	3 - 19
351213-51730	5 - 3	900100-05018	5 - 36	900800-00609	6 - 21
351213-52130	5 - 23	900100-05035	6 - 15	900807-06001	1 - 35
610013-44730	5 - 32	900105-05055	3 - 36	900810-06201	6 - 24
610206-44730	5 - 28	900142-05025	1 - 42	900810-36201	1 - 16
610217-44730	5 - 30	900162-04016	1 - 20	900855-06900	6 - 10
610239-04130	6 - 32	900162-04016	1 - 26	900858-06900	6 - 9
610246-44730	5 - 29	900162-04016	2 - 35	94035-36201	1 - 16
610272-52130	5 - 24	900162-04022	2 - 8	A011-000100	1 - 17
610281-46730	5 - 41	900162-05022	1 - 6	A011-000101	1 - 17
610300-44830	6 - 13	900162-05028	1 - 19	A320-000250	3 - 29
610313-07130	6 - 28	900163-04016	1 - 20	A320-000251	3 - 29
610313-07131	6 - 28	900163-04016	1 - 26	A356-000030	4 - 5
610313-07132	6 - 28	900163-04016	2 - 35	C050-000460	5 - 28
610314-04131	6 - 29	900238-04010	3 - 35	C552-000110	7 - 9
610315-07130	6 - 25	900238-05016	1 - 21	P021-002861	7 - 18
610338-08930	6 - 28	900238-05016	4 - 12	V104-000160	3 - 31
610360-08931	6 - 23	900238-05016	7 - 6	V137-000030	4 - 8
610402-40930	6 - 6	900238-05016	7 - 10	V471-001190	4 - 11
610402-40931	6 - 6	900238-05020	3 - 5	V471-001200	4 - 7
610402-40932	6 - 6	900242-05010	6 - 17	V553-000010	1 - 4
610413-07130	6 - 26	900242-05014	5 - 17	V622-000020	1 - 15
610434-50030	6 - 16	900242-05025	5 - 15	X505-000140	5 - 9
610434-50031	6 - 16	900242-05028	5 - 25	X602-000020	7 - 17
610903-55230	1 - 39	900242-05035	5 - 5		
610910-55230	1 - 37	900242-05035	5 - 14		
610922-27432	1 - 41	900242-05057	3 - 15		
610923-55230	1 - 40	900246-05030	5 - 6		
699000-40931	7 - 4	900253-04025	5 - 42		
699004-40931	7 - 4	900300-20022	6 - 31		
699010-27231	7 - 5	900500-00005	3 - 4		
699012-03330	5 - 37	900500-00005	5 - 2		
699016-44330	7 - 7	900500-00005	5 - 13		
699018-40830	7 - 9	900500-00005	5 - 13		
890112-52130	1 - 24	900500-00005	6 - 34		
890118-48830	7 - 12	900500-00005	7 - 8		
890118-49130	2 - 36	900502-00006	5 - 22		
890121-47530	3 - 17	900511-00010	6 - 30		
890152-04930	5 - 31	900600-00005	3 - 21		

YAMABIKO CORPORATION

7-2 SUEHIROCHO 1-CHOME, OHME, TOKYO 198-8760, JAPAN
PHONE: 81-428-32-6118. FAX: 81-428-32-6145.



2400
No.