



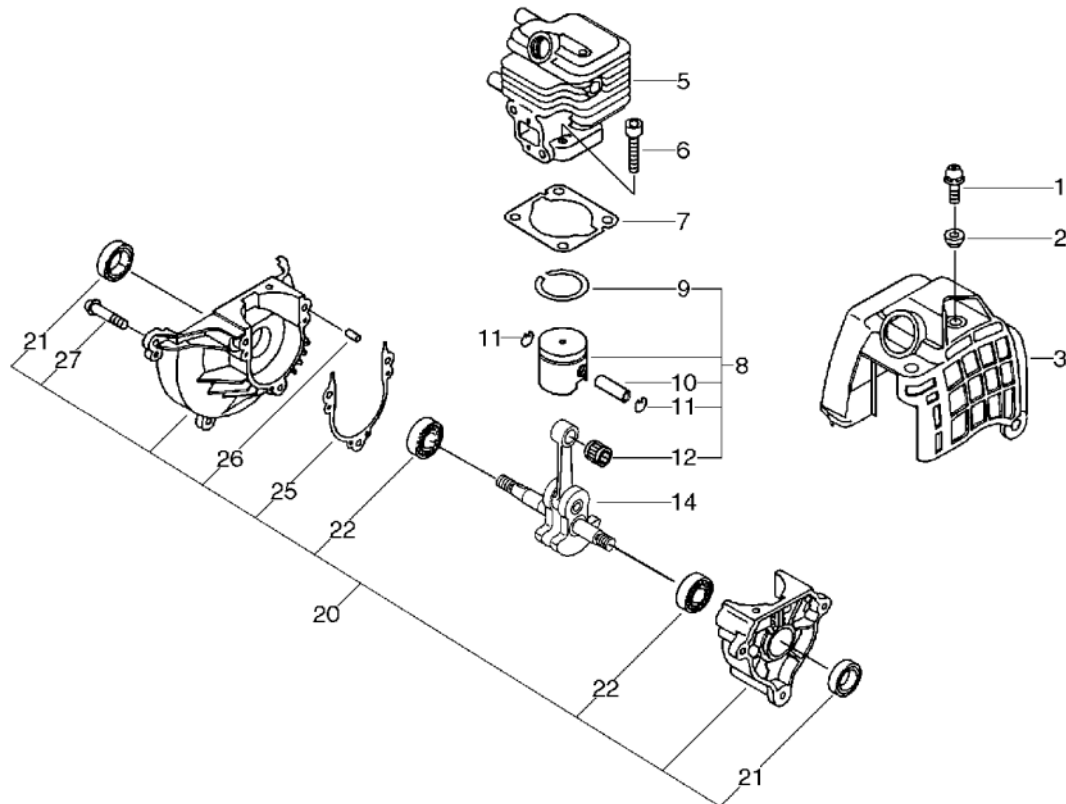
# **PARTS CATALOGUE**

## **GRASS-TRIMMER / BRUSHCUTTER**

### **SRM-2001(SI)**

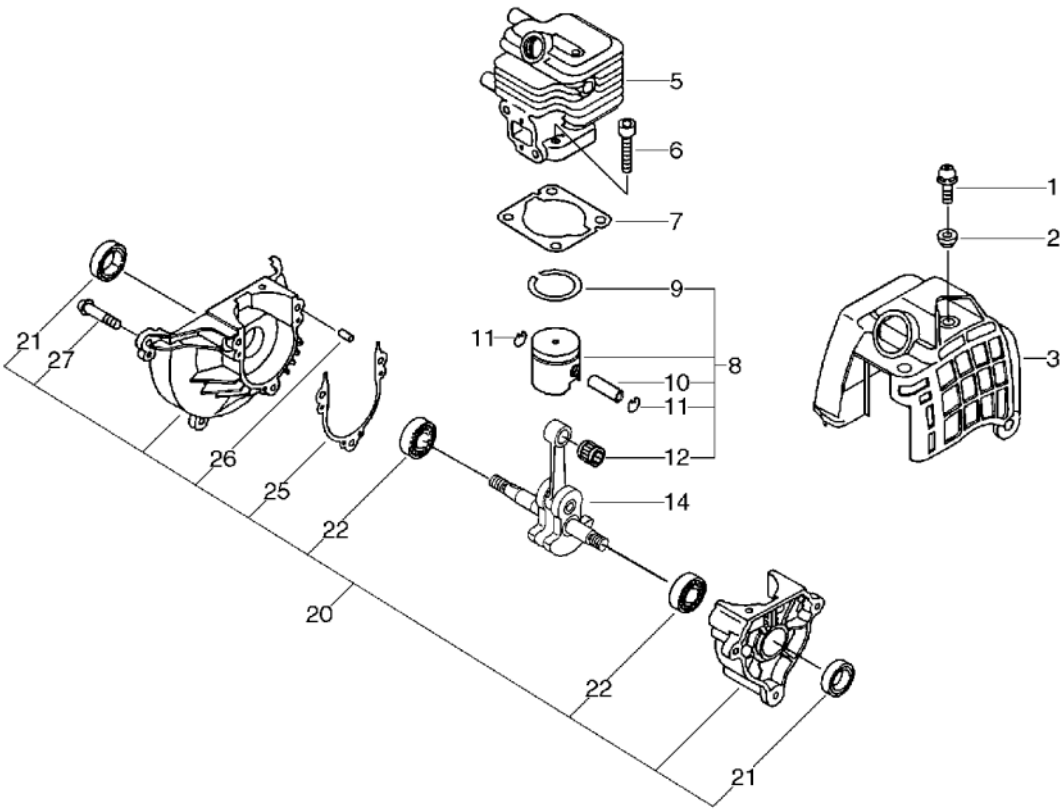
# 1. Cylinder, Crankcase, Piston

No.1



KEY	LV	PART NUMBER	Q'TY	DESCRIPTION	REMARKS	NOTE1	NOTE2
1		900239-05018	1	SCREW 5*18	5*18		
2		150117-16430	1	SPACER			
3		101514-61831	1	COVER, CYLINDER			
5		101011-61830	1	CYLINDER		Sus. by 101011-61831	
5		101011-61831	1	CYLINDER			
6		900162-05020	2	BOLT, H.S. 5*20	5*20 W,SW		
7		101010-61830	1	GASKET, CYL. BASE			
8		100000-61830	1	PISTON KIT			
9	+	100011-05330	1	RING, PISTON			
10	+	100013-61830	1	PIN, PISTON			
11	+	100015-61830	2	RING, SNAP			
12	+	100012-61830	1	BEARING, NEEDLE			
14		100100-61831	1	CRANKSHAFT			
20		100204-61832	1	CRANKCASE KIT		Sus. by P021-004340	
20		100204-61833	1	CRANKCASE KIT		Sus. by P021-004340	
20		P021-004340	1	CRANK CASE KIT			
21	+	100212-61830	2	OILSEAL	ISCD 10*20*5		
22	+	900810-36000	2	BEARING, BALL			
25	+	100242-61830	1	GASKET, CRANKCASE			
26	+	100215-03930	2	PIN, DOWEL			

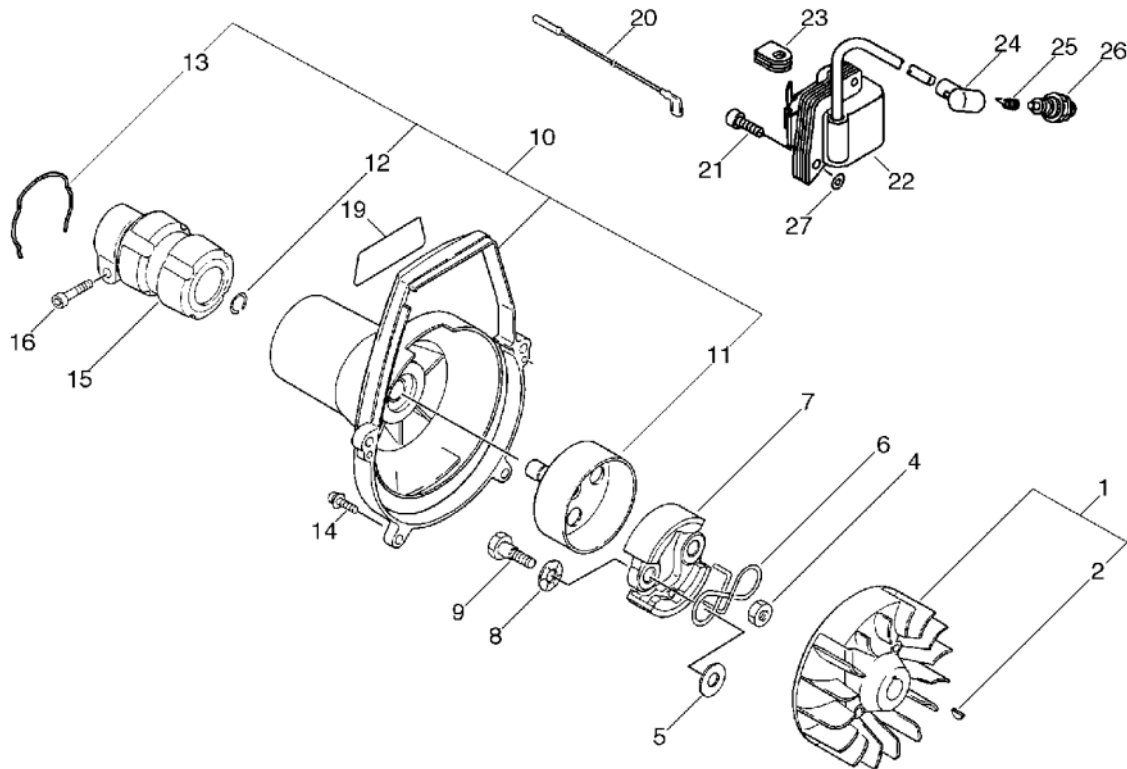
**1. Cylinder, Crankcase, Piston**  
**No.1**



KEY	LV	PART NUMBER	Q'TY	DESCRIPTION	REMARKS	NOTE1	NOTE2
27	+	900162-05020	3	BOLT, H.S. 5*20	5*20 W,SW	Can be used on the 100204-61832 only/SRM-2001	
27	+	900162-05025	3	BOLT, H.S. 5*25	5*25 W,SW	Can be used on the 100204-61833 only/SRM-2001	
27	+	900162-05025	3	BOLT, H.S. 5*25	5*25 W,SW	SRM-2001SI	

## 2. Fan Cover, Magneto, Clutch

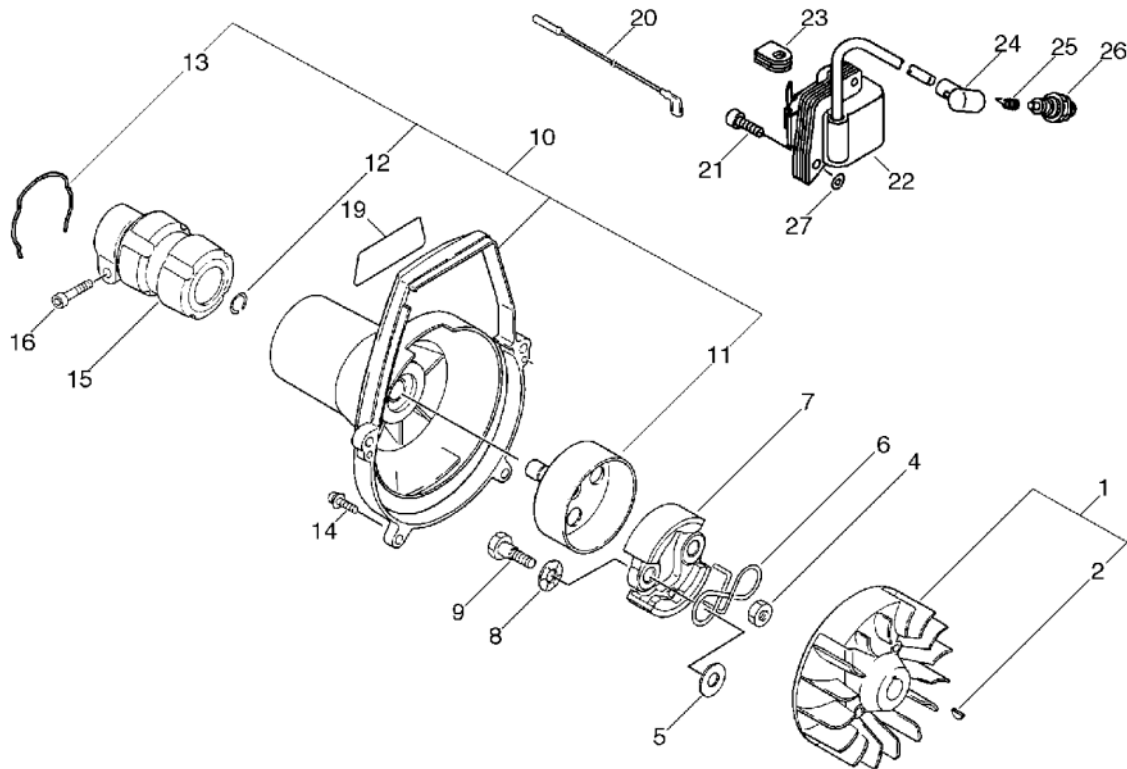
### No.2



KEY	LV	PART NUMBER	Q'TY	DESCRIPTION	REMARKS	NOTE1	NOTE2
3		A409-000011	1	ROTOR,MAGNETO		Sus. by P021-003331	
1		P021-003330	1	ROTOR,MAGNETO W/KEY		Sus. by P021-003331	
1		P021-003331	1	ROTOR,MAGNETO W/KEY			
2	+	100142-12330	1	KEY, WOODRUFF		Can be used on the P021-003330 and 003331 only/SRM-2001	
2	+	100142-12330	1	KEY, WOODRUFF		SRM-2001SI	
4		900515-00006	1	NUT, FLANGE 6	6		
5		175048-05530	2	WASHER (I)	6.2*19*1.0		
6		175018-05535	1	SPRING, CLUTCH			
7		175009-55930	2	SHOE, CLUTCH		Sus. by 175009-55931	
7		175009-55931	2	SHOE, CLUTCH			
8		175049-56030	2	WASHER	8.5*16*0.5		
9		175046-56030	2	SHAFT, CLUTCH			
10		P021-000341	1	COVER,FAN ASSY			
11	+	A556-000010	1	DRUM,CLUTCH			
12	+	900701-00010	1	CIRCLIP 10	CS-10		
13	+	660316-55630	1	CLIP			
14		900239-05016	4	SCREW 5*16	5*16		
15		610922-55931	1	HOLDER, MAIN PIPE			
16		900162-05028	1	BOLT, H.S. 5*28	5*28 W,SW		

## 2. Fan Cover, Magneto, Clutch

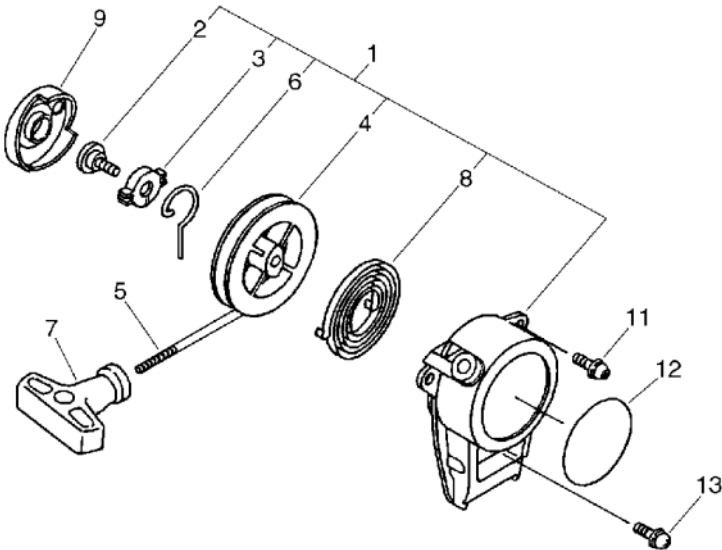
### No.2



KEY	LV	PART NUMBER	Q'TY	DESCRIPTION	REMARKS	NOTE1	NOTE2
19		X503-001660	1	LABEL,MODEL	SRM-2001	SRM-2001	
19		X503-003370	1	LABEL,MODEL	SRM-2001SI	SRM-2001SI	
20		162010-56430	1	LEAD, GROUND	145L		
21		900162-04022	2	BOLT, H.S. 4*22	4*22 W,SW	Sus. by 91128-04022	
21		91128-04022	2	BOLT HSH	CM-4*22		
22		A411-000000	1	COIL,IGNITION		Sus. by A411-000001	
22		A411-000001	1	COIL,IGNITION			
23		156112-61830	1	GROMMET, H.T.CORD		Sus. by 156112-61831	
23		156112-61831	1	GROMMET, H.T.CORD			
24		159012-03433	1	CAP, SPARK PLUG			
25		159011-03432	1	COIL, SPARK PLUG			
26		159010-10230	1	PLUG, SPARK (BPMR-7A)	BPMR-7A		
27		150117-09130	2	SPACER			

**3. Starter(SRM-2001)**

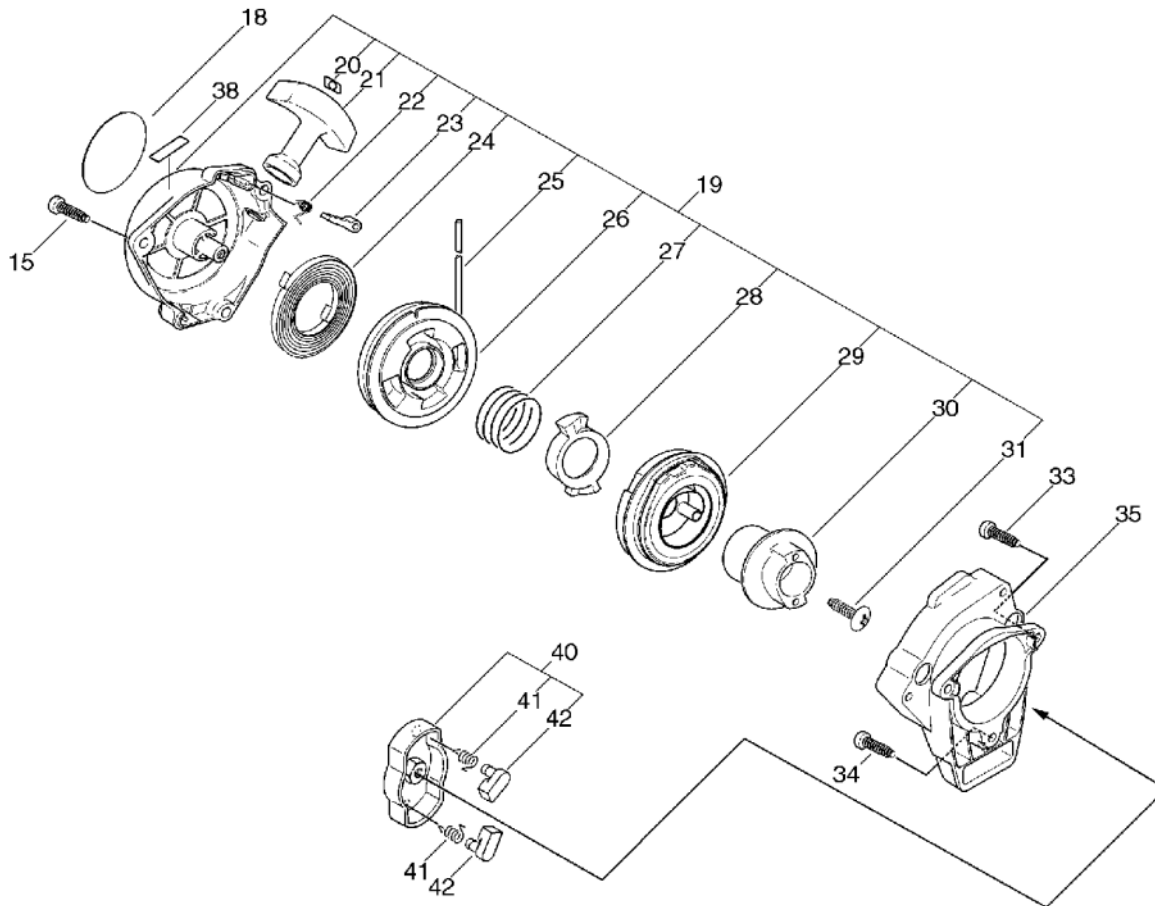
No.3



KEY	LV	PART NUMBER	Q'TY	DESCRIPTION	REMARKS	NOTE1	NOTE2
1		177200-61832	1	STARTER ASY		Sus. by A051-000012/SRM-2001	
1		A051-000012	1	STARTER, RECOIL		SRM-2001	
2	+	177236-61830	1	SCREW		SRM-2001	
3	+	177246-61830	1	SPACER		SRM-2001	
4	+	177215-61830	1	DRUM, STARTER		SRM-2001	
5	+	177226-61830	1	ROPE, STARTER	3*800	SRM-2001	
6	+	177243-61830	1	SWING ARM		SRM-2001	
7	+	177228-61830	1	GRIP, STARTER		SRM-2001	
8	+	177220-61830	1	SPRING, REWIND		SRM-2001	
9		177202-61830	1	PULLEY ASY, STARTER		SRM-2001	
11		900239-05016	2	SCREW 5*16	5*16	SRM-2001	
12		890118-49130	1	LABEL, ECHO		SRM-2001	
13		900239-05022	1	SCREW 5*22	5*22	SRM-2001	

## 4. Starter(SRM-2001SI)

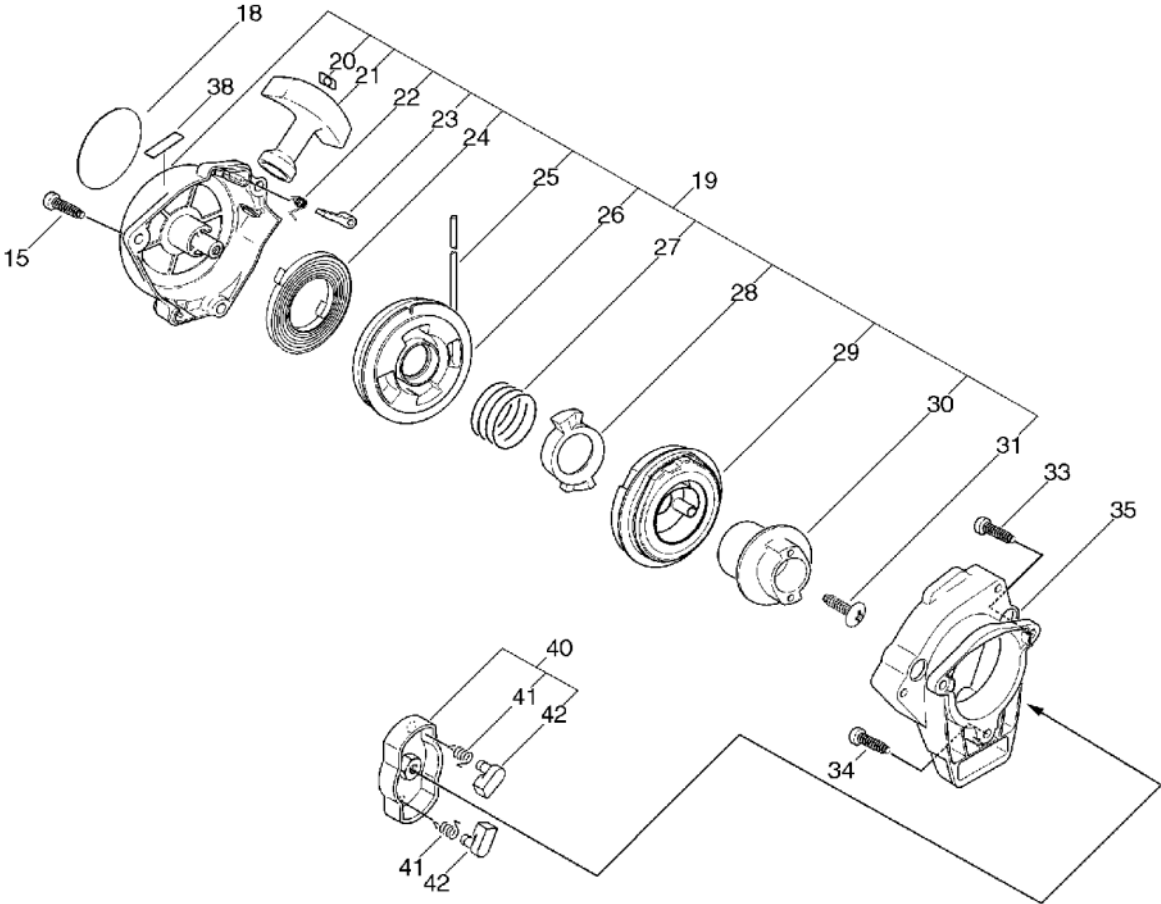
No.4



KEY	LV	PART NUMBER	Q'TY	DESCRIPTION	REMARKS	NOTE1	NOTE2
15		900253-05020	3	SCREW 5*20	5*20	SRM-2001SI	
18		X502-000031	1	LABEL,ECHO		Sus. by X502-000032/SRM-2001SI	
18		X502-000032	1	LABEL,ECHO		SRM-2001SI	
19		A051-000290	1	STARTER,RECOIL		Sus. by A051-000291/SRM-2001SI	
19		A051-000291	1	STARTER,RECOIL		SRM-2001SI	
20	+	177246-11120	1	CLIP, STARTER ROPE		SRM-2001SI	
21	+	177228-27030	1	GRIP, STARTER		SRM-2001SI	
22	+	P022-004610	2	SPRING, RETURN		SRM-2001SI	
23	+	P022-004620	2	PAWL, STARTER		SRM-2001SI	
24	+	P022-004680	1	SPRING, SPIRAL		SRM-2001SI	
25	+	P022-004600	1	ROPE,STARTER	3.0*920	SRM-2001SI	
26	+	P022-004690	1	REEL,ROPE		SRM-2001SI	
27	+	P022-004660	1	SPRING, RETURN		SRM-2001SI	
28	+	P022-004670	1	PAWL, STARTER		SRM-2001SI	
29	+	P022-004650	1	COMPLETE,SPRING		SRM-2001SI	
30	+	P022-004640	1	PLATE,CAM		SRM-2001SI	
31	+	P022-004630	1	SCREW		SRM-2001SI	
33		900239-05016	2	SCREW 5*16	5*16	SRM-2001SI	
34		900239-05022	1	SCREW 5*22	5*22	SRM-2001SI	
35		V376-000341	1	SPACER		SRM-2001SI	
38		X505-000620	1	LABEL,CAUTION		SRM-2001SI	
40		A052-000140	1	PULLEY,ASM STARTER		SRM-2001SI	

4. Starter(SRM-2001SI)

No.4

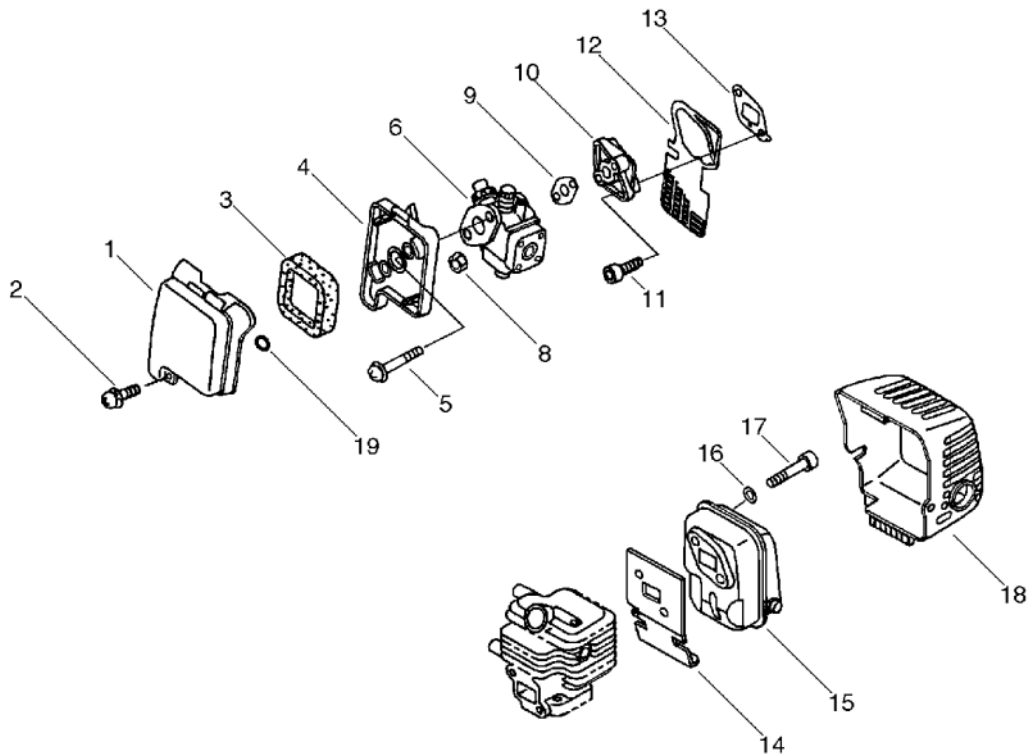


KEY	LV	PART NUMBER	Q'TY	DESCRIPTION	REMARKS	NOTE1	NOTE2
41	+	177234-12220	2	SPRING, PAWL		SRM-2001SI	
42	+	P022-005080	2	PAWL, STARTER	WHITE	SRM-2001SI	



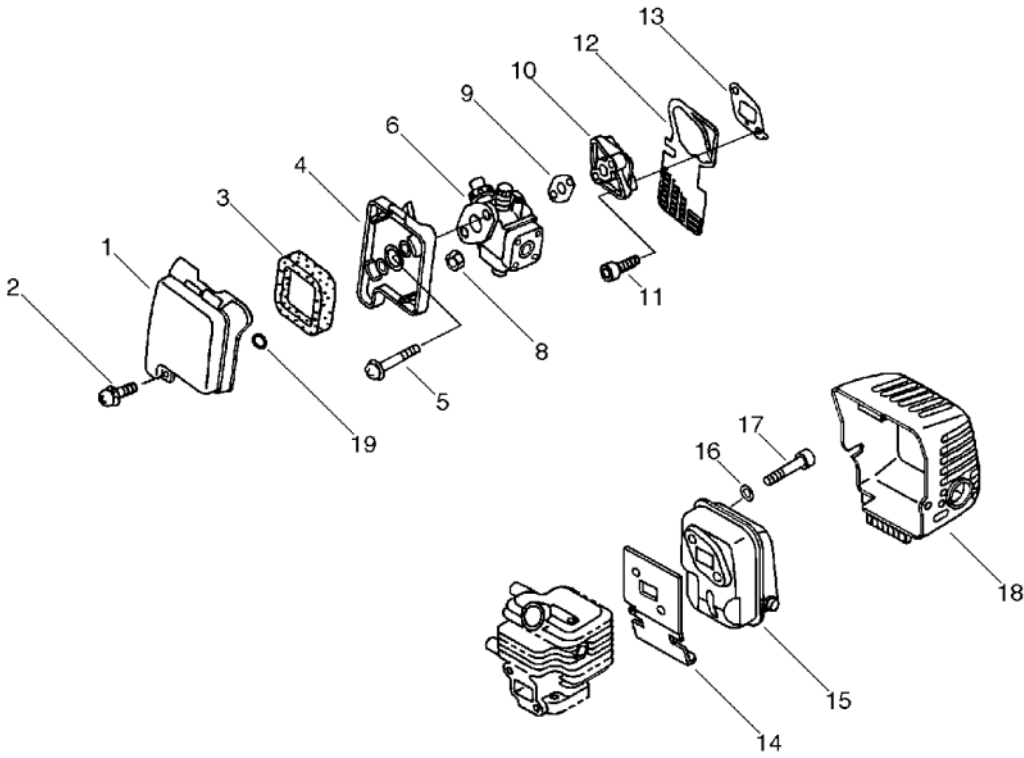
## 5. Air Cleaner, Muffler

No.5



KEY	LV	PART NUMBER	Q'TY	DESCRIPTION	REMARKS	NOTE1	NOTE2
1		130313-61830	1	COVER, AIR CLEANER			
2		900239-05012	1	SCREW 5*12	5*12		
3		130310-63030	1	FILTER, AIR			
4		130307-61830	1	CASE, AIR CLEANER			
5		900242-05050	2	SCREW 5*50	5*50		
6		125200-61830	1	CARBURETOR	AA-K56	Sus. by 125200-61831	
6		125200-61831	1	CARBURETOR AA-K56	AA-K56		
8		900500-00005	1	NUT 5	5		
9		130016-55930	1	GASKET, INTAKE			
10		130017-61830	1	INSULATOR, INTAKE			
11		900106-05020	2	BOLT, H.S. 5*20	5*20		
12		100283-61831	1	PLATE,DUST		Sus. by A128-000010	
12		A128-000010	1	PLATE,DUST			
13		130010-61830	1	GASKET, INTAKE			
14		145510-61830	1	GASKET, MUFFLER		Sus. by 145510-61832	
14		145510-61831	1	GASKET, MUFFLER		Sus. by 145510-61832	
14		145510-61832	1	GASKET, MUFFLER			
15		145605-61830	1	MUFFLER		Sus. by 145605-61830	
15		A300-000360	1	MUFFLER,EXHAUST		Sus. by 145605-61830	
15		145605-61830	1	MUFFLER			

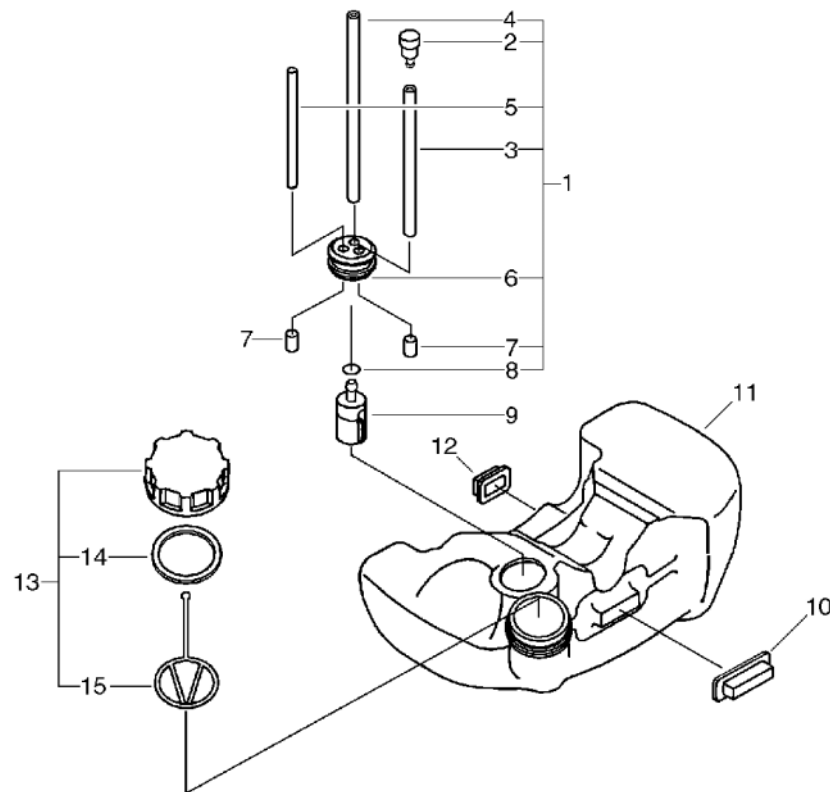
**5. Air Cleaner, Muffler**  
**No.5**



KEY	LV	PART NUMBER	Q'TY	DESCRIPTION	REMARKS	NOTE1	NOTE2
16		900600-00005	2	WASHER 5	5		
17		900105-05050	2	BOLT, H.S. 5*50	5*50		
18		145621-61830	1	COVER, MUFFLER		Sus. by 145621-61831	
18		145621-61831	1	COVER, MUFFLER			
19		900720-00004	1	O-RING (P-4)	P-4		

## 6. Fuel Tank

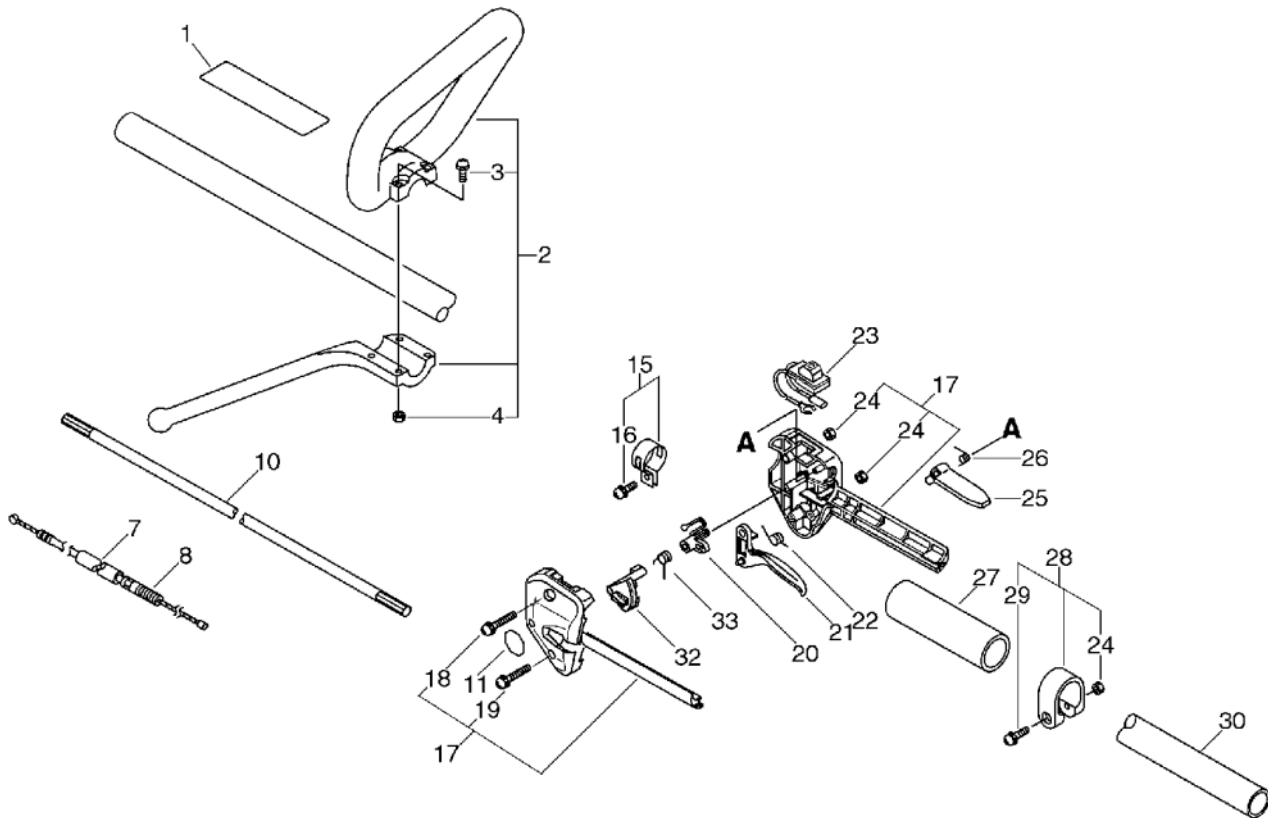
No.6



KEY	LV	PART NUMBER	Q'TY	DESCRIPTION	REMARKS	NOTE1	NOTE2
1		132007-61830	1	PIPE W/GROMMET		Sus. by 132007-61831	
1		132007-61831	1	PIPE W/GROMMET			
2	+	131300-56430	1	VALVE, CHECK			
3	+	132012-61830	1	PIPE	3*5*95L		
4	+	632201-61830	1	PIPE	3*5*140L		
5	+	132010-61830	1	PIPE	3*5*L55	Sus. by 132010-61831	
5	+	V471-000320	1	PIPE	3*5*L45	Sus. by 132010-61831	
5	+	132010-61831	1	PIPE	3*5*L60		
6	+	132115-61830	1	GROMMET, PIPE			
7	+	132017-61830	2	COLLAR,3			
8	+	132013-09820	1	CLIP	6MM		
9		131205-19830	1	STRAINER, FUEL			
10		131920-61830	1	CUSHION, FUEL TANK			
11		131010-61830	1	TANK, FUEL		Sus. by 131010-61831	
11		131010-61831	1	TANK, FUEL			
12		131920-55430	2	CUSHION, FUEL TANK			
13		131004-55530	1	CAP ASSY, FUEL TANK			
14	+	131016-55830	1	GASKET, FUEL CAP			
15	+	131051-56030	1	CLIP, FUEL CAP	100L		

## 7. Handle

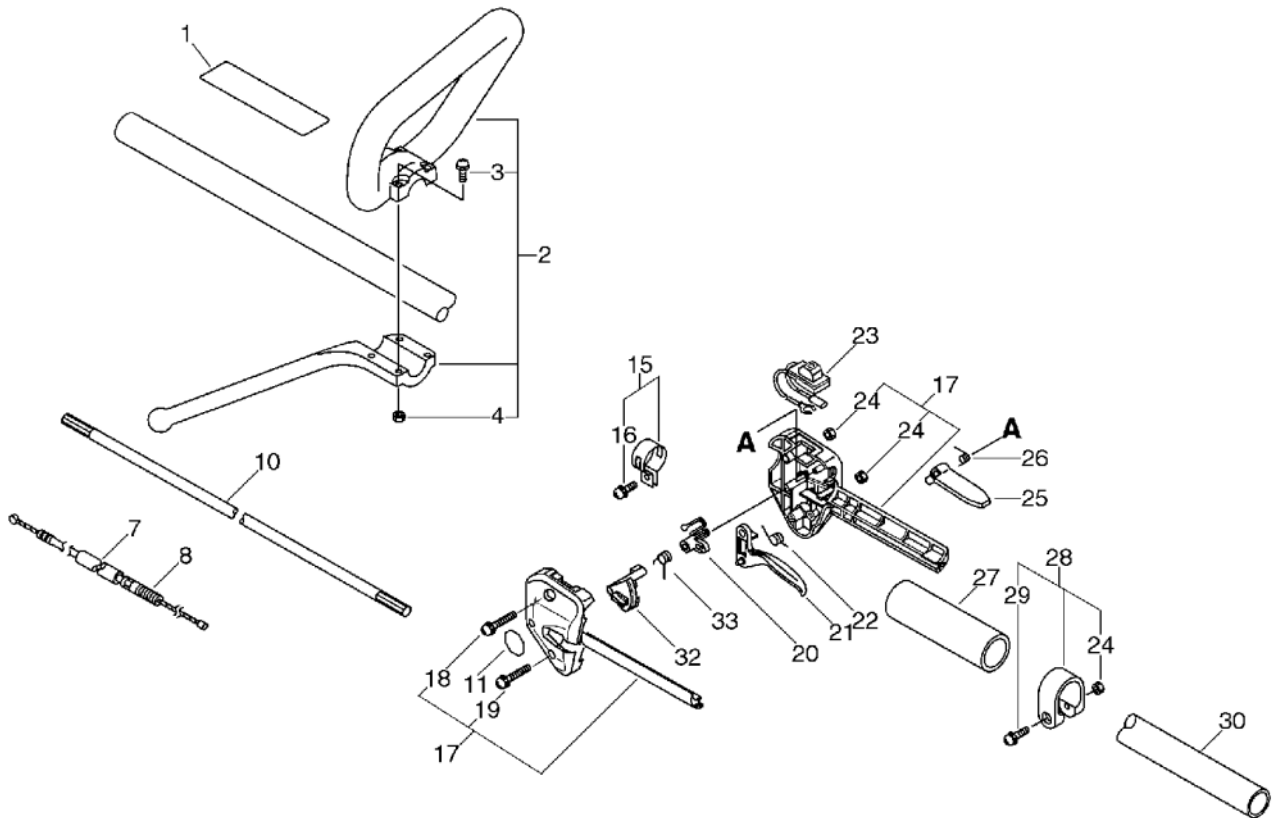
No.7



KEY	LV	PART NUMBER	Q'TY	DESCRIPTION	REMARKS	NOTE1	NOTE2
1		X505-000140	1	LABEL,CAUTION			
2		351201-54130	1	HANDLE ASSY, LOOP			
3	+	900242-05035	4	SCREW 5*35	5*35		
4	+	900500-00005	4	NUT 5	5		
7		V475-001280	1	TUBE			
8		V430-000260	1	CABLE,BOWDEN			
10		610011-55930	1	SHAFT, DRIVE	7SS*1540		
11		890157-39130	1	LABEL, SWITCH		Sr/Nr 20004150 and before/SRM- 2001	
11		890157-39130	1	LABEL, SWITCH		Sr/Nr 20001400 and before/SRM- 2001SI	
15		301200-29430	1	BAND ASSY			
16	+	900242-05014	1	SCREW 5*14	5*14		
17		178003-52130	1	BRACKET SET,THROTTLE		Sr/Nr 20004150 and before/SRM- 2001	
17		178003-52130	1	BRACKET SET,THROTTLE		Sr/Nr 20001400 and before/SRM- 2001SI	
17		P021-005850	1	BRACKET SET,THROTTLE		Sr/Nr 20004151 and after/SRM- 2001	

## 7. Handle

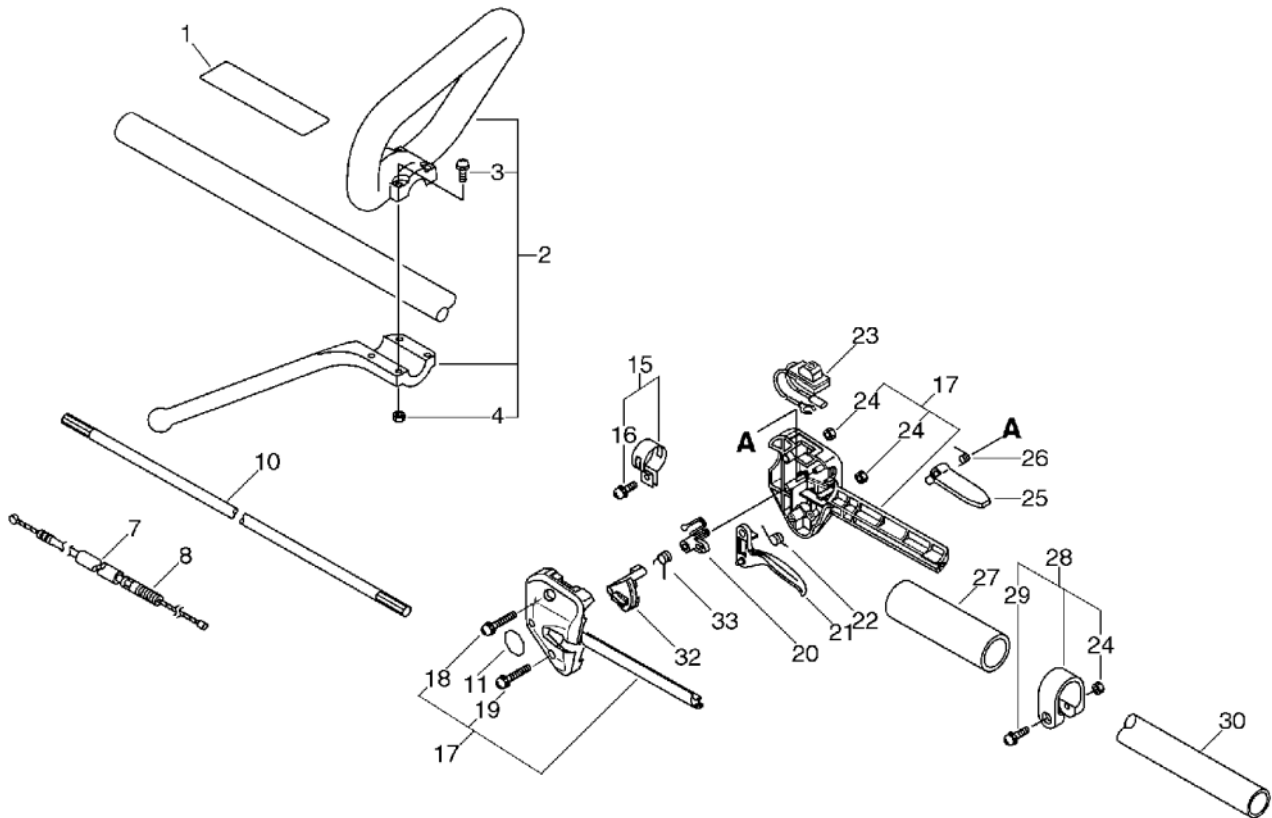
No.7



KEY	LV	PART NUMBER	Q'TY	DESCRIPTION	REMARKS	NOTE1	NOTE2
17		P021-005850	1	BRACKET SET, THROTTLE		Sr/Nr 20001401 and after/SRM- 2001SI	
18	+	900242-05035	1	SCREW 5*35	5*35		
19	+	900242-05025	1	SCREW 5*25	5*25		
24	+	900500-00005	2	NUT 5	5		
20		178012-52630	1	LOCKOUT, THROTTLE		Sr/Nr 20004150 and before/SRM- 2001	
20		178012-52630	1	LOCKOUT, THROTTLE		Sr/Nr 20001400 and before/SRM- 2001SI	
20		C461-000000	1	LATCH, THROTTLE		Sr/Nr 20004151 and after/SRM- 2001	
20		C461-000000	1	LATCH, THROTTLE		Sr/Nr 20001401 and after/SRM- 2001SI	
21		178010-52130	1	CONTROL, THROTTLE		Sr/Nr 20004150 and before/SRM- 2001	
21		178010-52130	1	CONTROL, THROTTLE		Sr/Nr 20001400 and before/SRM- 2001SI	

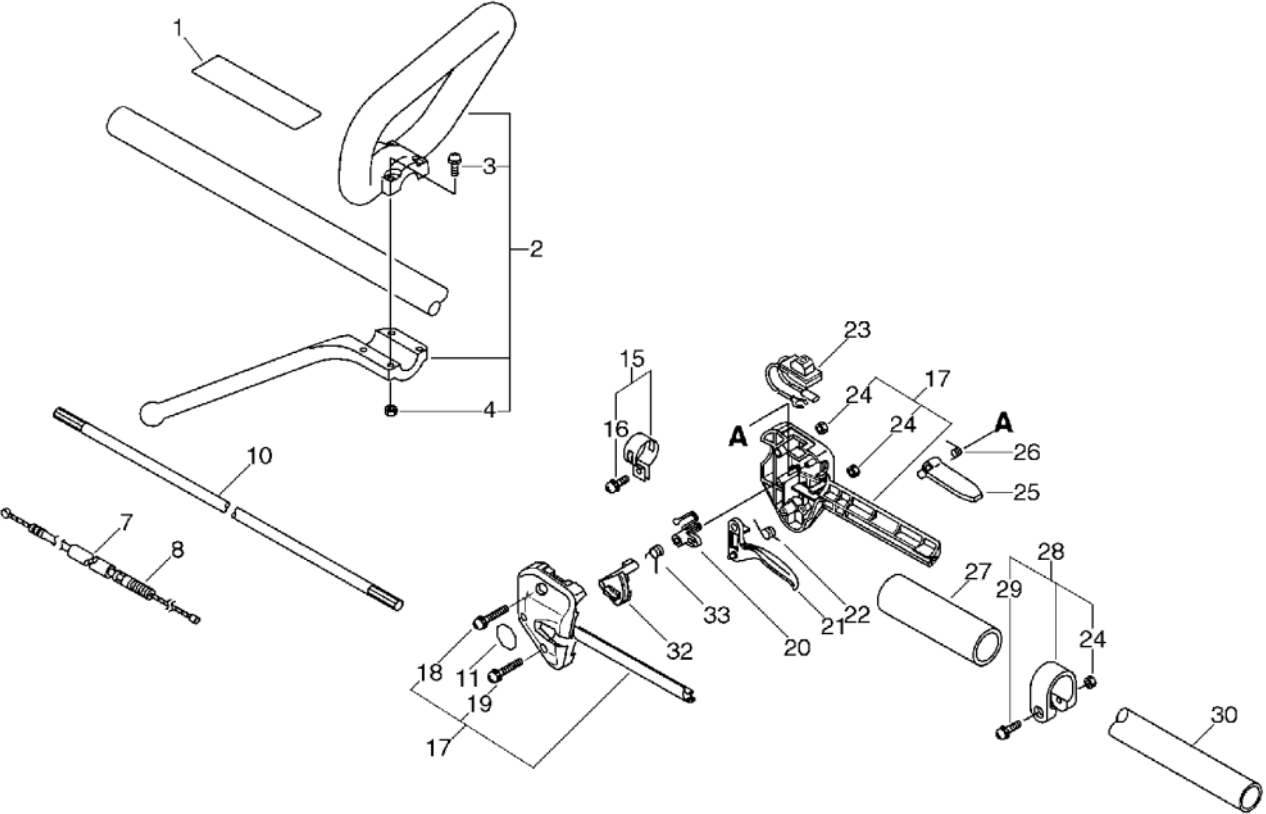
## 7. Handle

No.7



KEY	LV	PART NUMBER	Q'TY	DESCRIPTION	REMARKS	NOTE1	NOTE2
21		C450-000110	1	TRIGGER,THROTTLE		Sr/Nr 20004151 and after/SRM- 2001	
21		C450-000110	1	TRIGGER,THROTTLE		Sr/Nr 20001401 and after/SRM- 2001SI	
22		178043-42230	1	SPRING, THR. RETURN			
23		A440-000220	1	SWITCH,ON OFF			
25		178090-52630	1	LOCKOUT, T. CONTROL		Sus. by 178090- 52632	
25		178090-52631	1	LOCKOUT, T. CONTROL		Sus. by 178090- 52632	
25		178090-52632	1	LOCKOUT, T. CONTROL			
26		178013-52630	1	SPRING, THR. LOCK			
27		351213-52130	1	GRIP		Sus. by C403- 000140	
27		C403-000140	1	GRIP, HANDLE	L129.5*28		
28		610272-52130	1	BAND			
24	+	900500-00005	1	NUT 5	5		
29	+	900242-05028	1	SCREW 5*28	5*28		
30		610206-55930	1	HOUSING ASSY, D.SHFT			
32		C461-000010	1	LATCH,THROTTLE		Sr/Nr 20004151 and after/SRM- 2001	

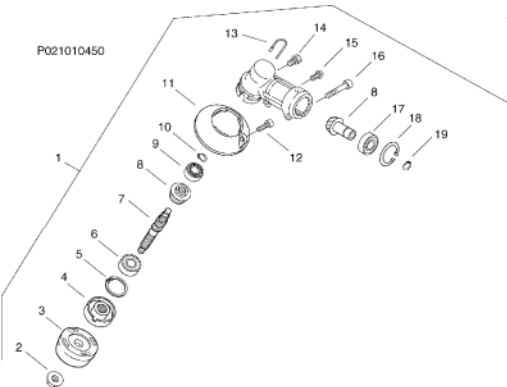
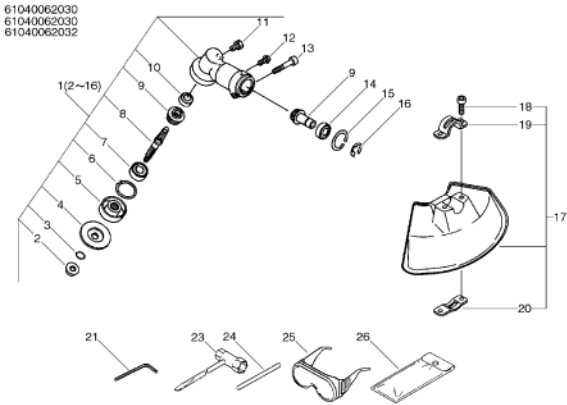
**7. Handle**  
No.7



KEY	LV	PART NUMBER	Q'TY	DESCRIPTION	REMARKS	NOTE1	NOTE2
32		C461-000010	1	LATCH,THROTTLE		Sr/Nr 20001401 and after/SRM-2001SI	
33		V452-000120	1	SPRING,TORSION		Sr/Nr 20004151 and after/SRM-2001	
33		V452-000120	1	SPRING,TORSION		Sr/Nr 20001401 and after/SRM-2001SI	

8. Gear Case, Shield, Tools

No.8

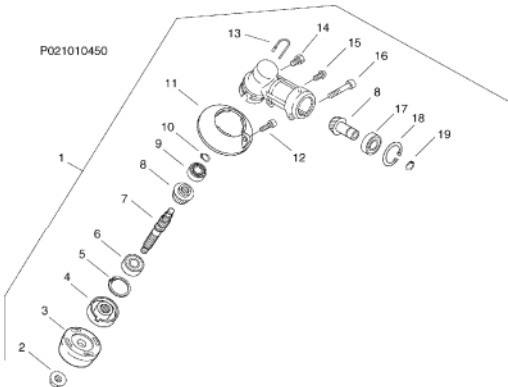
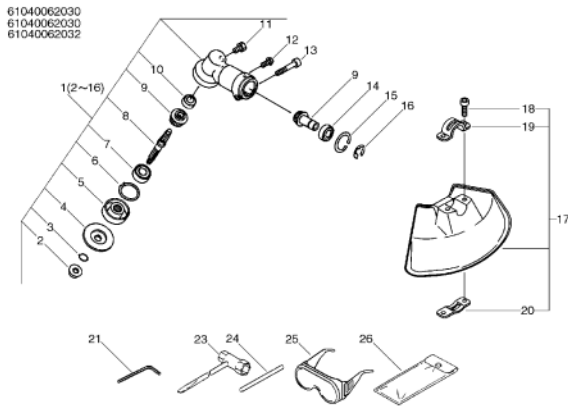


KEY	LV	PART NUMBER	Q'TY	DESCRIPTION	REMARKS	NOTE1	NOTE2
1		610400-62030	1	CASE ASY, GEAR		Sus. by P021-010450	
1		610400-62031	1	CASE ASY, GEAR		Sus. by P021-010450	
1		610400-62032	1	CASE ASY, GEAR		Sus. by P021-010450	
1		P021-007551	1	HOUSING ASY,GEAR		Sus. by P021-010450	
2	+	610320-22330	1	NUT		Can be used on 610400-62030,-1,-2 only	
3	+	900720-00009	1	O-RING 9	P-9	Can be used on 610400-62030,-1,-2 only	
4	+	610314-22831	1	PLATE, ADAPTER		Can be used on 610400-62030,-1,-2 only	
5	+	610313-61830	1	ADAPTER, CUTTER		Sus. by 610313-61831	
5	+	610313-61831	1	ADAPTER, CUTTER		Can be used on 610400-62030,-1,-2 only	
6	+	900709-00022	1	C-RING	IRTW-22	Can be used on 610400-62030,-1,-2 only	



## 8. Gear Case, Shield, Tools

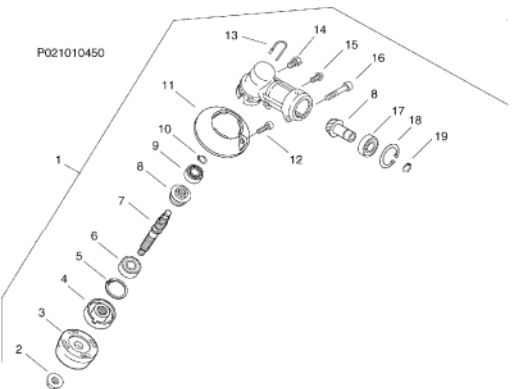
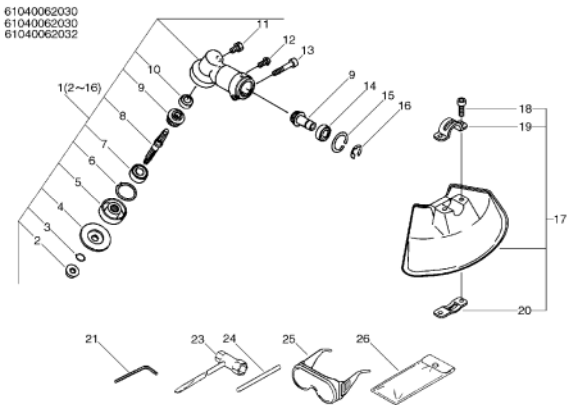
No.8



KEY	LV	PART NUMBER	Q'TY	DESCRIPTION	REMARKS	NOTE1	NOTE2
7	+	900857-06900	1	BEARING, BALL	6900LLU	Can be used on 610400-62030,-1,-2 only	
8	+	610310-61830	1	SHAFT, P.T.O.		Sus. by C534- 000160	
8	+	C534-000160	1	SHAFT,GEAR		Can be used on 610400-62030,-1,-2 only	
9	+	610300-62030	1	GEAR SET		Can be used on 610400-62030,-1,-2 only	
10	+	900810-00626	1	BEARING, BALL 626	626	Can be used on 610400-62030,-1,-2 only	
11	+	610434-50030	1	BOLT 8* 6		Sus. by 610434- 50031	
11	+	610434-50031	1	BOLT 8* 8	M8*8	Can be used on 610400-62030,-1,-2 only	
12	+	900242-04010	1	SCREW 4*10	4*10	Can be used on 610400-62030,-1,-2 only	
13	+	900162-05025	1	BOLT, H.S. 5*25	5*25 W,SW	Can be used on 610400-62030,-1,-2 only	

8. Gear Case, Shield, Tools

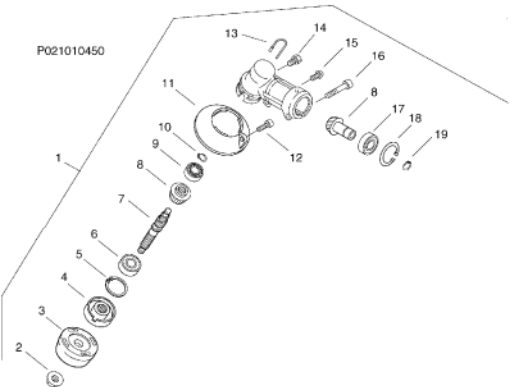
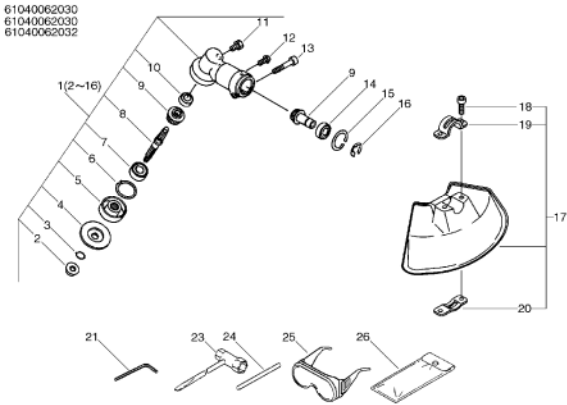
No.8



KEY	LV	PART NUMBER	Q'TY	DESCRIPTION	REMARKS	NOTE1	NOTE2
14	+	900803-00609	1	BEARING, BALL 609	609Z	Can be used on 610400-62030,-1,-2 only	
15	+	900702-00024	1	CIRCLIP 24	CR-24	Can be used on 610400-62030,-1,-2 only	
16	+	900701-00009	1	CIRCLIP 9	CS-9	Can be used on 610400-62030,-1,-2 only	
17		699000-62730	1	SHIELD ASY		Sus. by 699000-62731	
17		699000-62731	1	SHIELD ASY			
18	+	900162-05025	2	BOLT, H.S. 5*25	5*25 W,SW		
19	+	699011-28230	1	BRACKET, SHIELD			
20	+	699015-61830	1	BRACKET, SHIELD			
21		895610-00130	1	L-WRENCH (4MM)			
23		895410-02830	1	WRENCH, W/S. DRIVER			
24		897518-01131	1	LOCKING TOOL			
25		899580-68730	1	SAFETY GLASSES		Sus. by P021-002861	
25		P021-002861	1	GOGGLES			
26		898510-39130	1	BAG, TOOL			
30		P021-010450	1	CASE,GEAR ASY			
31	+	610320-22330	1	NUT		Can be used on P021-010450 only	

8. Gear Case, Shield, Tools

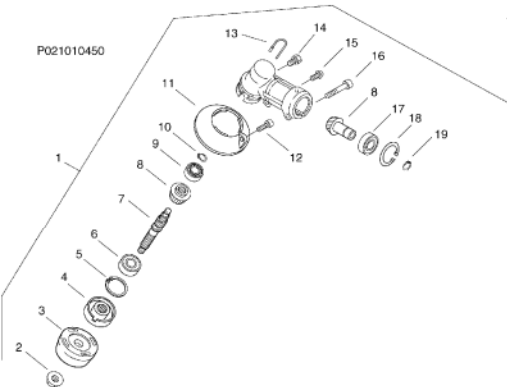
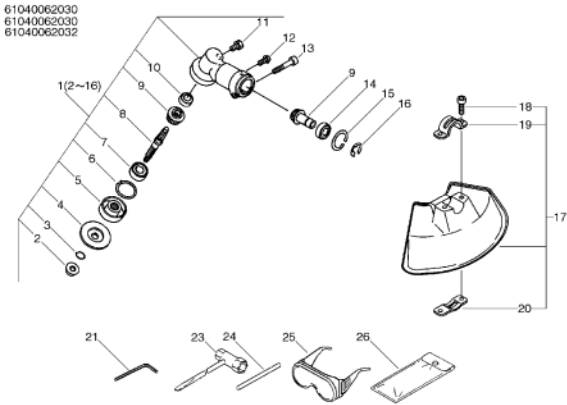
No.8



KEY	LV	PART NUMBER	Q'TY	DESCRIPTION	REMARKS	NOTE1	NOTE2
32		P022-019470	1	FIXTURE, BLADE		Can be used on P021-010450 only	
33	+	P022-002270	1	ADAPTER, CUTTER		Can be used on P021-010450 only	
34	+	900702-00026	1	CIRCLIP 26	CR-26	Can be used on P021-010450 only	
35	+	900802-06000	1	BEARING, BALL 6000	6000DDU(LLU)	Can be used on P021-010450 only	
36	+	P022-009320	1	SHAFT, GEAR		Can be used on P021-010450 only	
37	+	P022-002290	1	GEAR SET		Can be used on P021-010450 only	
38	+	900810-000626	1	BEARING, BALL 626		Can be used on P021-010450 only	
39	+	924010-6000	1	RING C		Can be used on P021-010450 only	

# 8. Gear Case, Shield, Tools

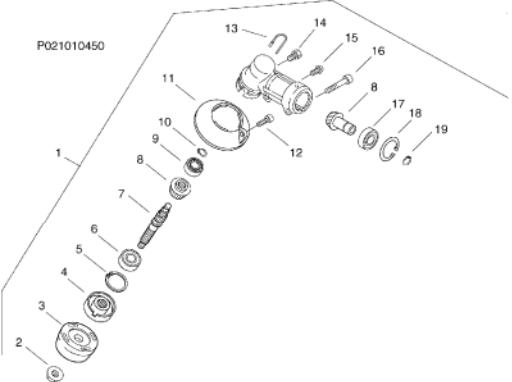
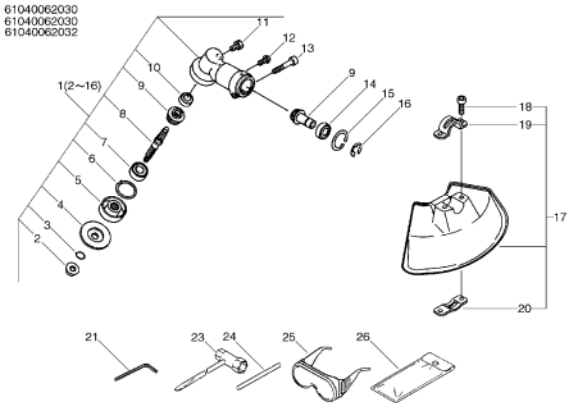
No.8



KEY	LV	PART NUMBER	Q'TY	DESCRIPTION	REMARKS	NOTE1	NOTE2
40	+	P022-002281	1	COVER,GEAR CASE		Can be used on P021-010450 only	
41	+	900242-05012	1	SCREW 5*12	5*12	Can be used on P021-010450 only	
42	+	X606-000070	1	TOOL,BAR		Can be used on P021-010450 only	
43	+	V205-000360	1	BOLT,8	M8*8	Can be used on P021-010450 only	
44	+	900242-04010	1	SCREW 4*10	4*10	Can be used on P021-010450 only	
45	+	900162-05025	1	BOLT, H.S. 5*25	5*25 W,SW	Can be used on P021-010450 only	
46	+	900803-00609	1	BEARING, BALL 609	609Z	Can be used on P021-010450 only	
47	+	900702-00025	1	CIRCLIP 25	CR-25	Can be used on P021-010450 only	

# 8. Gear Case, Shield, Tools

No.8

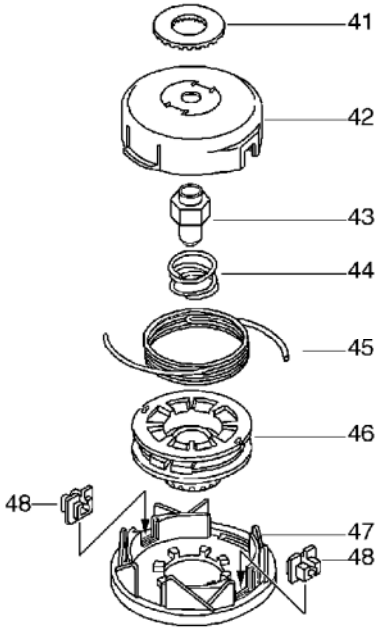


KEY	LV	PART NUMBER	Q'TY	DESCRIPTION	REMARKS	NOTE1	NOTE2
-----	----	-------------	------	-------------	---------	-------	-------

48	+	900701-00009	1	CIRCLIP 9	CS-9	Can be used on P021-010450 only	
----	---	--------------	---	-----------	------	------------------------------------	--

9. Nylon Line Cutting Head

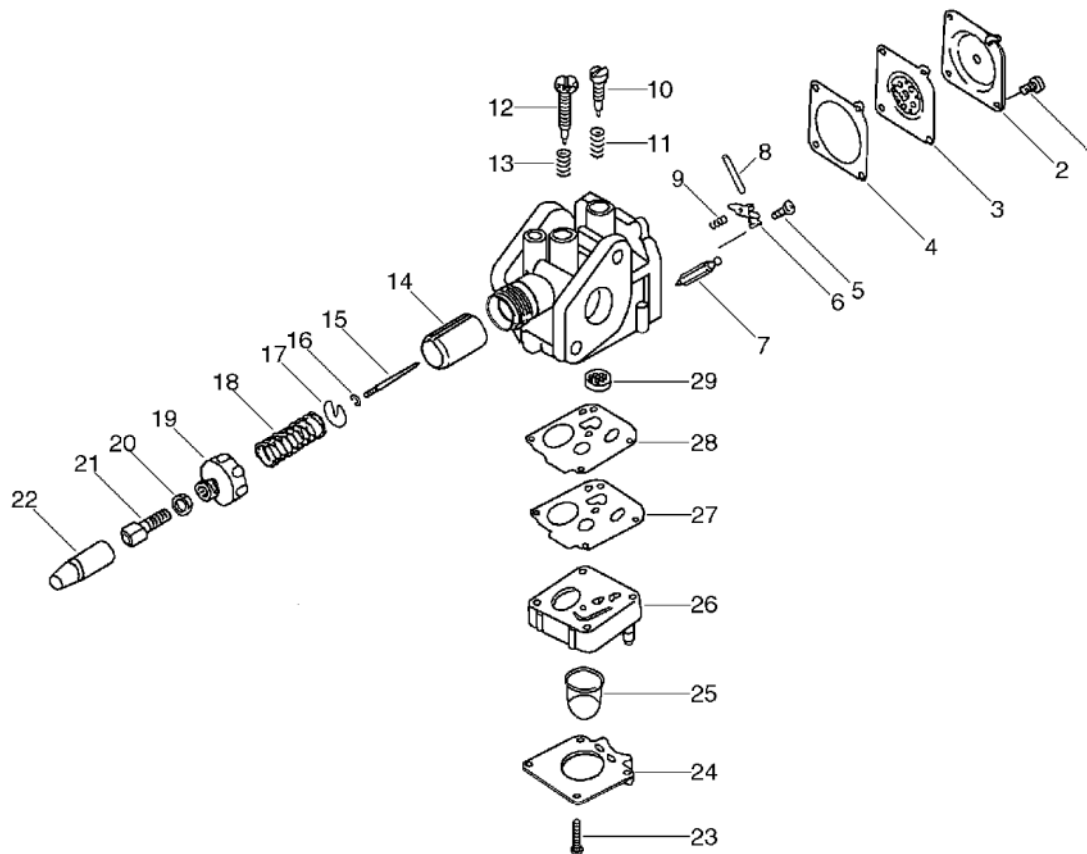
No.9



KEY	LV	PART NUMBER	Q'TY	DESCRIPTION	REMARKS	NOTE1	NOTE2
		X047-000090	1	CUTTER,ASM LINE	DS-3/8 M8L	Sus. by X047-000200	
		X047-000160	1	CUTTER,ASM LINE	F4/8 M8L	Sus. by X047-000200	
		X047-000161	1	CUTTER,ASM LINE	F4/8 M8L	Sus. by X047-000200	
		X047-000200	1	CUTTER,ASM LINE	F4/8	F-4/8	
41	+	V332-000000	1	WASHER,CIRCULAR 24			
42	+	X470-000020	1	DRUM,REEL		Sus. by P022-003310	
42	+	P022-002890	1	HOUSING		Sus. by P022-003310	
42	+	P022-003310	1	HOUSING			
43	+	P022-001360	1	NUT	M8*1.25LH		
44	+	P022-001250	1	SPRING	DS-3/10		
45	+	P022-001230	1	NYLON CODE		Sus. by P022-006190	
45	+	P022-006190	1	NYLON CODE	3.0*2M		
46	+	P022-001370	1	BOBBIN	DS-3 M8LH		
47	+	P022-001240	1	COVER	DS-3/10	Sus. by P022-003330	
47	+	P022-002860	1	COVER		Sus. by P022-003330	
47	+	P022-003330	1	COVER			
48	+	P022-000710	2	EYELET	T4		

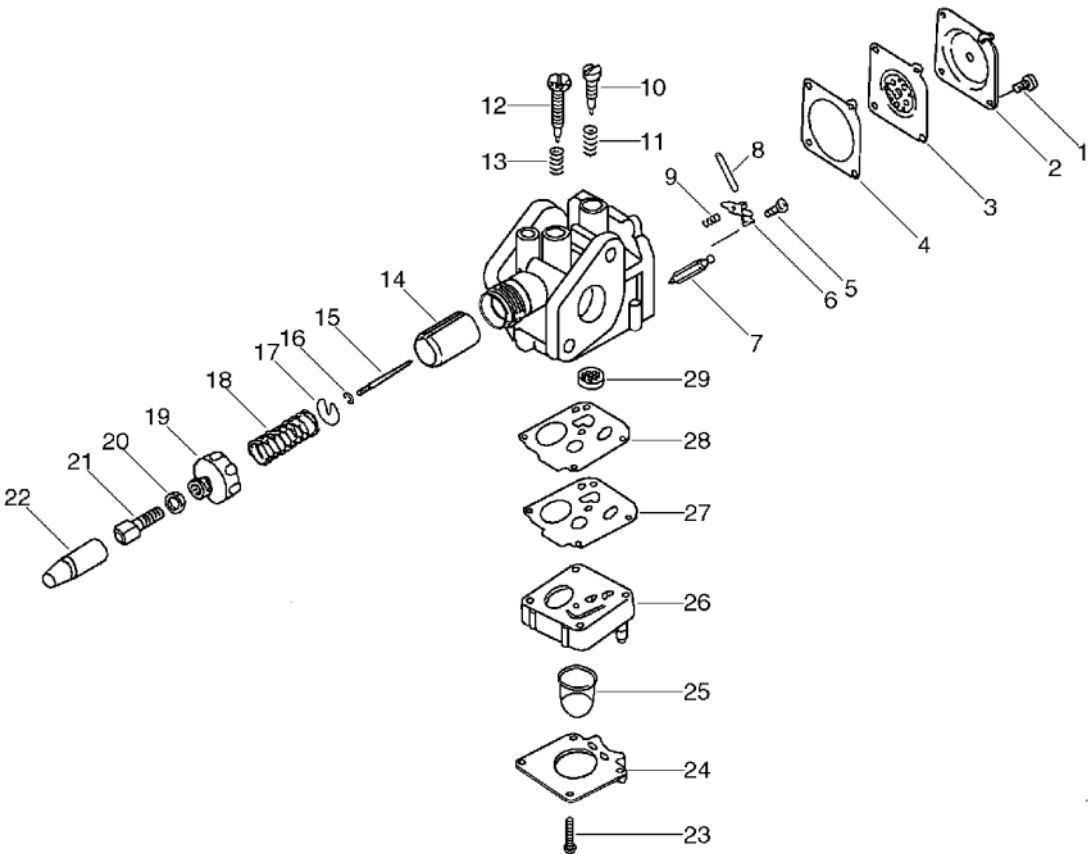
## 10. Carburetor

No.10



KEY	LV	PART NUMBER	Q'TY	DESCRIPTION	REMARKS	NOTE1	NOTE2
		125200-61830	1	CARBURETOR	AA-K56	Sus. by125200-61831	
		125200-61831	1	CARBURETOR AA-K56	AA-K56		
1	+	125344-52130	2	SCREW			
2	+	125342-62030	1	COVER			
3	+	125341-42030	1	DIAPHRAGM			
4	+	125340-42030	1	GASKET, DIAPHRAGM			
5	+	125339-13930	1	SCREW			
6	+	125323-08260	1	ARM, VALVE			
7	+	125337-08260	1	VALVE, INLET NEEDLE			
8	+	125338-13930	1	PIN, METERING ARM			
9	+	125322-12620	1	SPRING, COIL			
10	+	125310-62030	1	SCREW			
11	+	125386-61830	1	SPRING			
12	+	125334-62030	1	SPEED			
13	+	125319-13930	1	SPRING, COIL			
14	+	125391-62030	1	BODY ASSY, PISTON			
15	+	125320-62030	1	NEEDLE, JET			
16	+	125369-62030	1	RING			
17	+	125327-62030	1	CLIP, RETAINER			
18	+	125386-62030	1	SPRING			
19	+	125372-62030	1	TOP			
20	+	125392-62030	1	NUT			
21	+	125344-62030	1	SCREW			
22	+	125398-62030	1	BOOT,CONNECTOR			
23	+	125310-61830	4	SCREW			

**10. Carburetor**  
No.10



KEY	LV	PART NUMBER	Q'TY	DESCRIPTION	REMARKS	NOTE1	NOTE2
24	+	125363-62030	1	RETAINER			
25	+	125381-08660	1	PUMP, PRIMING			
26	+	125383-62030	1	BODY, PRIMER			
27	+	125312-62030	1	DIAPHRAGM, PUMP			
28	+	125340-62030	1	GASKET, PUMP			
29	+	125326-42030	1	STRAINER			



11. Repair Kit

KEY	LV	PART NUMBER	Q'TY	DESCRIPTION	REMARKS	NOTE1	NOTE2
		P005-000680	1	DIAPHRAGM/GASKET KIT			
10-3	+	125341-42030	1	DIAPHRAGM			
10-4	+	125340-42030	1	GASKET, DIAPHRAGM			
10-27	+	125312-62030	1	DIAPHRAGM, PUMP			
10-28	+	125340-62030	1	GASKET, PUMP			
		P005-000670	1	REBUILD KIT			
10-3	+	125341-42030	1	DIAPHRAGM			
10-4	+	125340-42030	1	GASKET, DIAPHRAGM			
10-6	+	125323-08260	1	ARM, VALVE			
10-7	+	125337-08260	1	VALVE, INLET NEEDLE			
10-8	+	125338-13930	1	PIN, METERING ARM			
10-9	+	125322-12620	1	SPRING, COIL			
10-27	+	125312-62030	1	DIAPHRAGM, PUMP			
10-28	+	125340-62030	1	GASKET, PUMP			
10-29	+	125326-42030	1	STRAINER			

**Index**

<b>Patrs Number</b>	<b>Key No.</b>	<b>Patrs Number</b>	<b>Key No.</b>	<b>Patrs Number</b>	<b>Key No.</b>
100000-61830	1 - 8	125341-42030	11 - 10-3	159010-10230	2 - 26
100011-05330	1 - 9	125341-42030	11 - 10-3	159011-03432	2 - 25
100012-61830	1 - 12	125342-62030	10 - 2	159012-03433	2 - 24
100013-61830	1 - 10	125344-52130	10 - 1	162010-56430	2 - 20
100015-61830	1 - 11	125344-62030	10 - 21	175009-55930	2 - 7
100100-61831	1 - 14	125363-62030	10 - 24	175009-55931	2 - 7
100142-12330	2 - 2	125369-62030	10 - 16	175018-05535	2 - 6
100142-12330	2 - 2	125372-62030	10 - 19	175046-56030	2 - 9
100204-61832	1 - 20	125381-08660	10 - 25	175048-05530	2 - 5
100204-61833	1 - 20	125383-62030	10 - 26	175049-56030	2 - 8
100212-61830	1 - 21	125386-61830	10 - 11	177200-61832	3 - 1
100215-03930	1 - 26	125386-62030	10 - 18	177202-61830	3 - 9
100242-61830	1 - 25	125391-62030	10 - 14	177215-61830	3 - 4
100283-61831	5 - 12	125392-62030	10 - 20	177220-61830	3 - 8
101010-61830	1 - 7	125398-62030	10 - 22	177226-61830	3 - 5
101011-61830	1 - 5	130010-61830	5 - 13	177228-27030	4 - 21
101011-61831	1 - 5	130016-55930	5 - 9	177228-61830	3 - 7
101514-61831	1 - 3	130017-61830	5 - 10	177234-12220	4 - 41
125200-61830	10 -	130307-61830	5 - 4	177236-61830	3 - 2
125200-61830	5 - 6	130310-63030	5 - 3	177243-61830	3 - 6
125200-61831	10 -	130313-61830	5 - 1	177246-11120	4 - 20
125200-61831	5 - 6	131004-55530	6 - 13	177246-61830	3 - 3
125310-61830	10 - 23	131010-61830	6 - 11	178003-52130	7 - 17
125310-62030	10 - 10	131010-61831	6 - 11	178003-52130	7 - 17
125312-62030	10 - 27	131016-55830	6 - 14	178010-52130	7 - 21
125312-62030	11 - 10-27	131051-56030	6 - 15	178010-52130	7 - 21
125312-62030	11 - 10-27	131205-19830	6 - 9	178012-52630	7 - 20
125319-13930	10 - 13	131300-56430	6 - 2	178012-52630	7 - 20
125320-62030	10 - 15	131920-55430	6 - 12	178013-52630	7 - 26
125322-12620	10 - 9	131920-61830	6 - 10	178043-42230	7 - 22
125322-12620	11 - 10-9	132007-61830	6 - 1	178090-52630	7 - 25
125323-08260	10 - 6	132007-61831	6 - 1	178090-52631	7 - 25
125323-08260	11 - 10-6	132010-61830	6 - 5	178090-52632	7 - 25
125326-42030	10 - 29	132010-61831	6 - 5	301200-29430	7 - 15
125326-42030	11 - 10-29	132012-61830	6 - 3	351201-54130	7 - 2
125327-62030	10 - 17	132013-09820	6 - 8	351213-52130	7 - 27
125334-62030	10 - 12	132017-61830	6 - 7	610011-55930	7 - 10
125337-08260	10 - 7	132115-61830	6 - 6	610206-55930	7 - 30
125337-08260	11 - 10-7	145510-61830	5 - 14	610272-52130	7 - 28
125338-13930	10 - 8	145510-61831	5 - 14	610300-62030	8 - 9
125338-13930	11 - 10-8	145510-61832	5 - 14	610310-61830	8 - 8
125339-13930	10 - 5	145605-61830	5 - 15	610313-61830	8 - 5
125340-42030	10 - 4	145605-61830	5 - 15	610313-61831	8 - 5
125340-42030	11 - 10-4	145621-61830	5 - 18	610314-22831	8 - 4
125340-42030	11 - 10-4	145621-61831	5 - 18	610320-22330	8 - 2
125340-62030	10 - 28	150117-09130	2 - 27	610320-22330	8 - 31
125340-62030	11 - 10-28	150117-16430	1 - 2	610400-62030	8 - 1
125340-62030	11 - 10-28	156112-61830	2 - 23	610400-62031	8 - 1
125341-42030	10 - 3	156112-61831	2 - 23	610400-62032	8 - 1

**Index**

<b>Patrs Number</b>	<b>Key No.</b>	<b>Patrs Number</b>	<b>Key No.</b>	<b>Patrs Number</b>	<b>Key No.</b>
610434-50030	8 - 11	900515-00006	2 - 4	P021-010450	8 - 30
610434-50031	8 - 11	900600-00005	5 - 16	P022-000710	9 - 48
610922-55931	2 - 15	900701-00009	8 - 16	P022-001230	9 - 45
632201-61830	6 - 4	900701-00009	8 - 48	P022-001240	9 - 47
660316-55630	2 - 13	900701-00010	2 - 12	P022-001250	9 - 44
699000-62730	8 - 17	900702-00024	8 - 15	P022-001360	9 - 43
699000-62731	8 - 17	900702-00025	8 - 47	P022-001370	9 - 46
699011-28230	8 - 19	900702-00026	8 - 34	P022-002270	8 - 33
699015-61830	8 - 20	900709-00022	8 - 6	P022-002281	8 - 40
890118-49130	3 - 12	900720-00004	5 - 19	P022-002290	8 - 37
890157-39130	7 - 11	900720-00009	8 - 3	P022-002860	9 - 47
890157-39130	7 - 11	900802-06000	8 - 35	P022-002890	9 - 42
895410-02830	8 - 23	900803-00609	8 - 14	P022-003310	9 - 42
895610-00130	8 - 21	900803-00609	8 - 46	P022-003330	9 - 47
897518-01131	8 - 24	900810-000626	8 - 38	P022-004600	4 - 25
898510-39130	8 - 26	900810-00626	8 - 10	P022-004610	4 - 22
899580-68730	8 - 25	900810-36000	1 - 22	P022-004620	4 - 23
900105-05050	5 - 17	900857-06900	8 - 7	P022-004630	4 - 31
900106-05020	5 - 11	91128-04022	2 - 21	P022-004640	4 - 30
900162-04022	2 - 21	924010-6000	8 - 39	P022-004650	4 - 29
900162-05020	1 - 6	A051-000012	3 - 1	P022-004660	4 - 27
900162-05020	1 - 27	A051-000290	4 - 19	P022-004670	4 - 28
900162-05025	1 - 27	A051-000291	4 - 19	P022-004680	4 - 24
900162-05025	1 - 27	A052-000140	4 - 40	P022-004690	4 - 26
900162-05025	8 - 13	A128-000010	5 - 12	P022-005080	4 - 42
900162-05025	8 - 18	A300-000360	5 - 15	P022-006190	9 - 45
900162-05025	8 - 45	A409-000011	2 - 3	P022-009320	8 - 36
900162-05028	2 - 16	A411-000000	2 - 22	P022-019470	8 - 32
900239-05012	5 - 2	A411-000001	2 - 22	V205-000360	8 - 43
900239-05016	2 - 14	A440-000220	7 - 23	V332-000000	9 - 41
900239-05016	3 - 11	A556-000010	2 - 11	V376-000341	4 - 35
900239-05016	4 - 33	C403-000140	7 - 27	V430-000260	7 - 8
900239-05018	1 - 1	C450-000110	7 - 21	V452-000120	7 - 33
900239-05022	3 - 13	C450-000110	7 - 21	V452-000120	7 - 33
900239-05022	4 - 34	C461-000000	7 - 20	V471-000320	6 - 5
900242-04010	8 - 12	C461-000000	7 - 20	V475-001280	7 - 7
900242-04010	8 - 44	C461-000010	7 - 32	X047-000090	9 -
900242-05012	8 - 41	C461-000010	7 - 32	X047-000160	9 -
900242-05014	7 - 16	C534-000160	8 - 8	X047-000161	9 -
900242-05025	7 - 19	P005-000670	11 -	X047-000200	9 -
900242-05028	7 - 29	P005-000680	11 -	X470-000020	9 - 42
900242-05035	7 - 3	P021-000341	2 - 10	X502-000031	4 - 18
900242-05035	7 - 18	P021-002861	8 - 25	X502-000032	4 - 18
900242-05050	5 - 5	P021-003330	2 - 1	X503-001660	2 - 19
900253-05020	4 - 15	P021-003331	2 - 1	X503-003370	2 - 19
900500-00005	5 - 8	P021-004340	1 - 20	X505-000140	7 - 1
900500-00005	7 - 4	P021-005850	7 - 17	X505-000620	4 - 38
900500-00005	7 - 24	P021-005850	7 - 17	X606-000070	8 - 42
900500-00005	7 - 24	P021-007551	8 - 1		

# YAMABIKO CORPORATION

7-2 SUEHIROCHO 1-CHOME, OHME, TOKYO 198-8760, JAPAN  
PHONE: 81-428-32-6118. FAX: 81-428-32-6145.



(SI)  
No.