

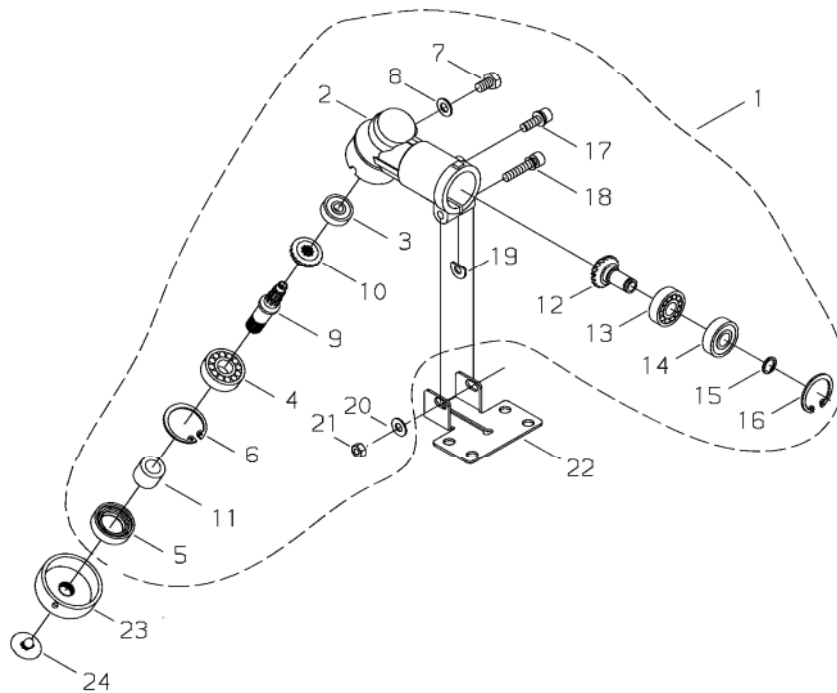
shindaiwa[®]

PARTS CATALOGUE

BRUSHCUTTER

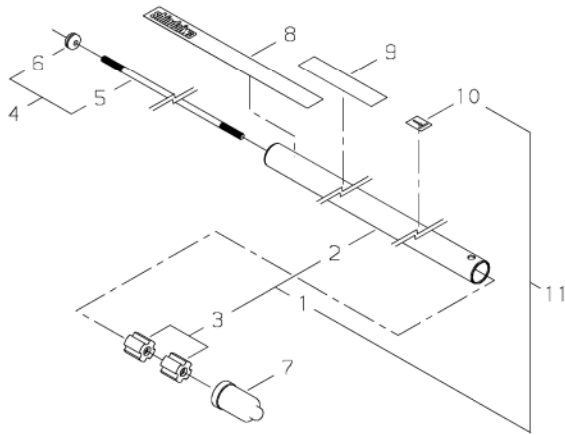
SBA-T230

1. Ref.1



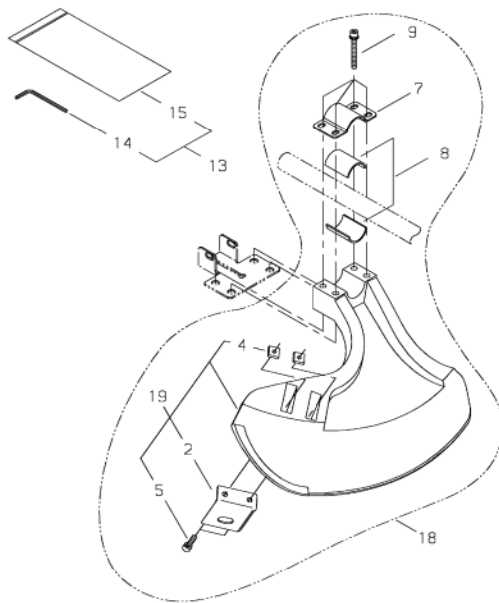
KEY	LV	PART NUMBER	Q'TY	DESCRIPTION	REMARKS	NOTE1	NOTE2
1		63901-63022	1	GEAR CASE SUB ASSY			
2	*	22035-13113	1	GEAR CASE			
3	*	02006-00626	1	BEARING			
4	*	02000-06000	1	BEARING			
5	*	22035-13140	1	OIL SEAL			
6	*	02432-26120	1	SNAP RING		φ26	
7	*	01014-06100	1	BOLT		M6x10	
8	*	22000-13410	1	GASKET			
9	*	22410-13210	1	GEAR SHAFT			
10	*	22035-13220	1	BEVEL GEAR			
11	*	22035-13230	1	COLLAR			
12	*	22035-13391	1	PINION SET			
13	*	02000-00608	1	BEARING			
14	*	02002-00608	1	BEARING	608ZZ		
15	*	22035-13340	1	SNAP RING			
16	*	02432-22100	1	SNAP RING		φ22	
17	*	11022-05160	1	BOLT SPW		M5x16	
18	*	11022-05350	1	BOLT SPW		M5x35	
19	*	22000-13420	1	SHIM			
20	*	01613-05080	1	WASHER			
21	*	01500-05041	1	NUT	M5		
22		72480-16130	1	LOWER CLAMP			
23		63901-63161	1	HOLDER			
24		72432-13250	1	CLIP			

2. Ref.2



KEY	LV	PART NUMBER	Q'TY	DESCRIPTION	REMARKS	NOTE1	NOTE2
1		65001-62010	1	OUTER PIPE COMP			
2	*	65001-62110	1	OUTER PIPE		φ24xL745	
3	*	22035-12121	2	BUSH			
4		65001-62040	1	MAIN SHAFT ASSY			
5	*	37000-62210	1	MAIN SHAFT		φ6xL767	
6	*	15250-10100	1	GROMMET			
7		20891-98180	1	LINER CAP			
8		19420-00084	1	LABEL TRADE		shindaiwa,PROFES SIONAL	
9		19402-00217	1	LABEL CAUTION			
10		19401-00169	1	LABEL INST			
11		65001-98310	1	OUTER PIPE COMP			

3. Ref.3



KEY	LV	PART NUMBER	Q'TY	DESCRIPTION	REMARKS	NOTE1	NOTE2
19		62901-66313	1	GUARD ASSY			
2	*	72480-16121	1	CUTTER			
4	*	22420-16120	2	NUT			
5	*	11020-05160	2	BOLT SW		M5x16	
18	*	62901-66323	1	GUARD SET			
7	**	72480-16210	1	UPPER CLAMP			
8	**	72480-16220	2	SPACER			
9	**	11022-05450	4	BOLT SPW		M5x45	
13		65001-92010	1	TOOL SET			
14	*	09026-04001	1	HEXA WRENCH	4MM M5㍉	4mm	
15	*	19639-01100	1	POLY BAG		115x175 t0.04	

Index

Patrs Number	Key No.	Patrs Number	Key No.	Patrs Number	Key No.
01014-06100	1 - 7				
01500-05041	1 - 21				
01613-05080	1 - 20				
02000-00608	1 - 13				
02000-06000	1 - 4				
02002-00608	1 - 14				
02006-00626	1 - 3				
02432-22100	1 - 16				
02432-26120	1 - 6				
09026-04001	3 - 14				
11020-05160	3 - 5				
11022-05160	1 - 17				
11022-05350	1 - 18				
11022-05450	3 - 9				
15250-10100	2 - 6				
19401-00169	2 - 10				
19402-00217	2 - 9				
19420-00084	2 - 8				
19639-01100	3 - 15				
20891-98180	2 - 7				
22000-13410	1 - 8				
22000-13420	1 - 19				
22035-12121	2 - 3				
22035-13113	1 - 2				
22035-13140	1 - 5				
22035-13220	1 - 10				
22035-13230	1 - 11				
22035-13340	1 - 15				
22035-13391	1 - 12				
22410-13210	1 - 9				
22420-16120	3 - 4				
37000-62210	2 - 5				
62901-66313	3 - 19				
62901-66323	3 - 18				
63901-63022	1 - 1				
63901-63161	1 - 23				
65001-62010	2 - 1				
65001-62040	2 - 4				
65001-62110	2 - 2				
65001-92010	3 - 13				
65001-98310	2 - 11				
72432-13250	1 - 24				
72480-16121	3 - 2				
72480-16130	1 - 22				
72480-16210	3 - 7				
72480-16220	3 - 8				

YAMABIKO CORPORATION

7-2 SUEHIROCHO 1-CHOME, OHME, TOKYO 198-8760, JAPAN
PHONE: 81-428-32-6118. FAX: 81-428-32-6145.

shindaiwa[®]

T230
No.