

# PPT-300ES

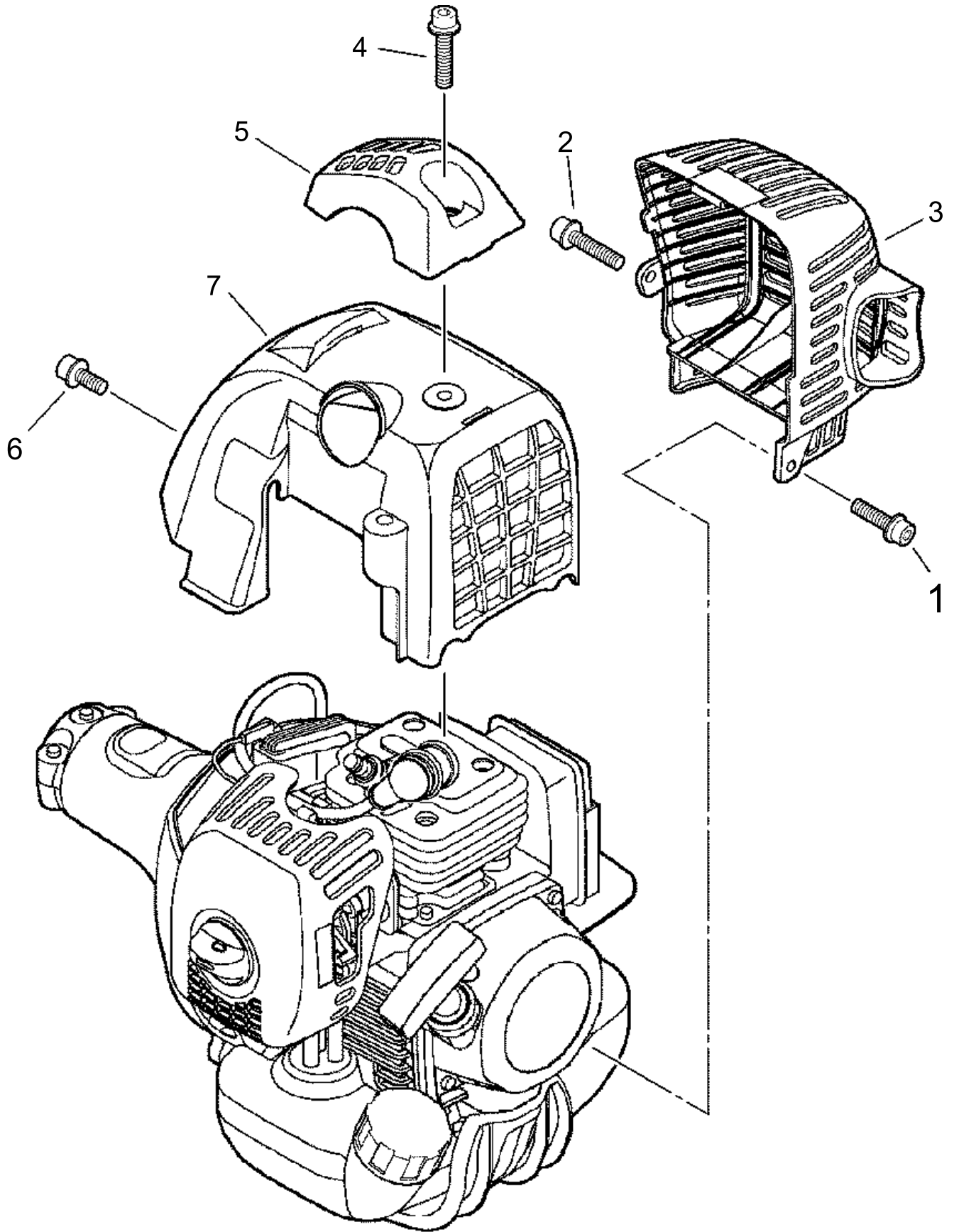
Published:11/24/2016

## TABLE OF CONTENTS

---

ENGINE COVER.....	1
FUEL TANK.....	3
RECOIL STARTER.....	5
FAN CASE.....	7
AIR CLEANER.....	9
CARBURETOR.....	11
MUFFLER.....	13
MAGNETO.....	15
CYLINDER, CRANKCASE, PISTON.....	17
GEAR CASE.....	19
ACCESSORIES.....	23
DRIVE SHAFT.....	25
DRIVE SHAFT.....	27
THROTTLE LEVER.....	29
LABEL.....	31
HARNES.....	33

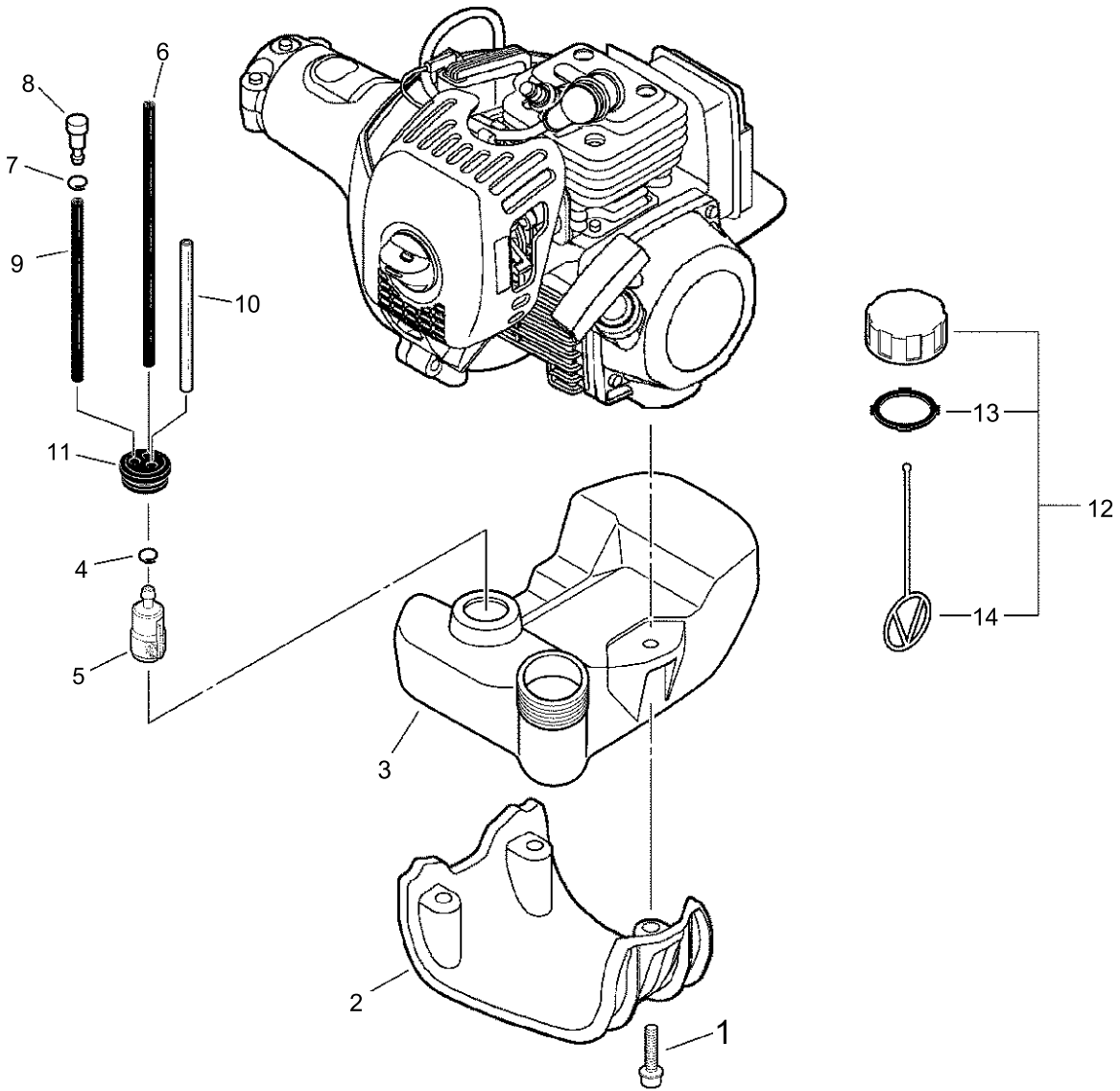
# ENGINE COVER



## ENGINE COVER

KEY NO	LV(+)	Part No	Description	Qty	Standard
1		V203-000260	BOLT,5	1	FCB5*16
2		900106-05020	BOLT, H.S. 5*20	1	5*20
3		A320-000400	COVER,MUFFLER	1	
4		V203-000270	BOLT,5	1	FCB5*20
5		A162-000110	GUARD, TOP	1	
6		900106-05010	BOLT, H.S. 5*10	1	
7		A160-000800	COVER,CYLINDER	1	

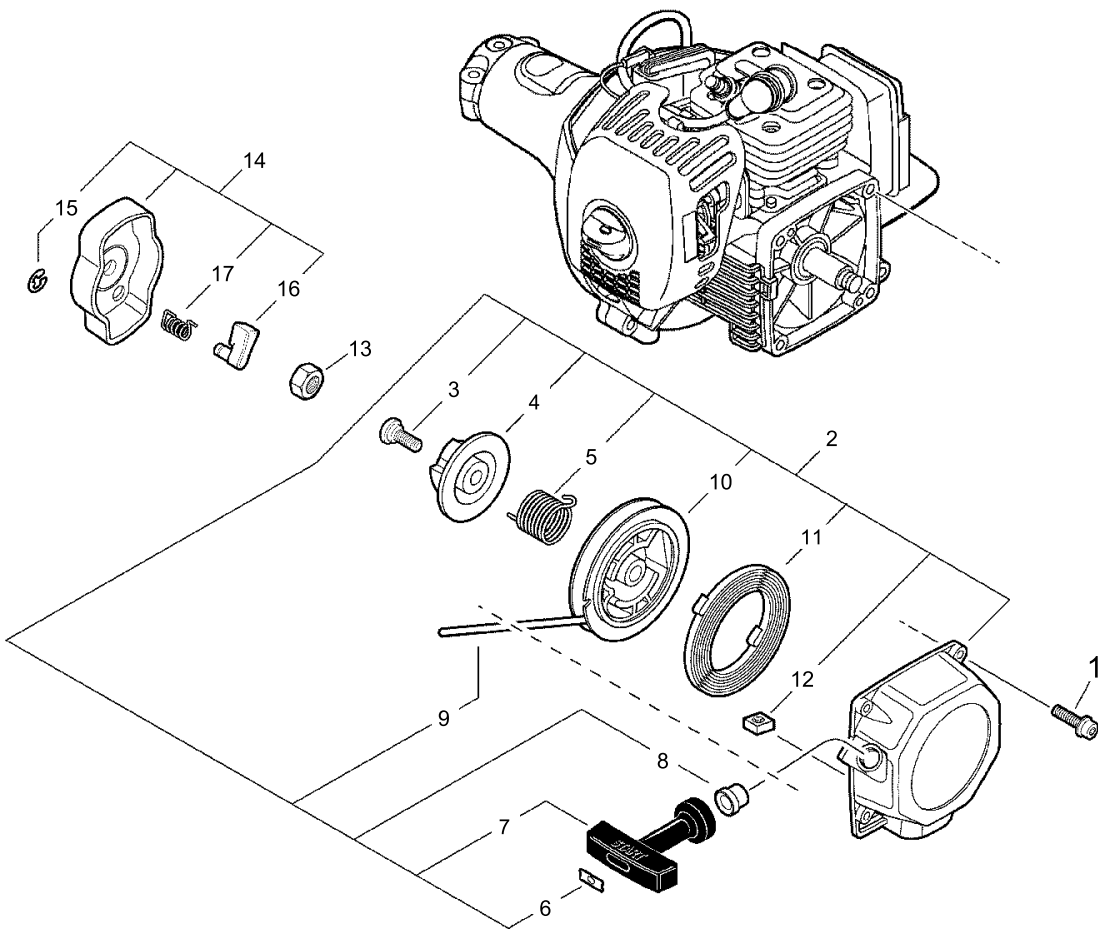
# FUEL TANK



## FUEL TANK

KEY NO	LV(+)	Part No	Description	Qty	Standard
1		900106-05020	BOLT, H.S. 5*20	3	5*20
2		A175-000040	STAND	1	
3		A350-000900	TANK,FUEL	1	
4		132013-09820	CLIP	1	6MM
5		A369-000000	STRAINER, FUEL	1	125-528
6		V470-000580	PIPE	1	3*5*195
7		132013-26630	CLIP	1	6.5MM
8		A356-000030	VALVE,CHECK	1	
9		V471-000110	PIPE	1	3*6*115
10		132012-56030	PIPE	1	3*6*80 YL
11		132115-55930	GROMMET, FUEL	1	
12		131004-55530	CAP ASSY, FUEL TANK	1	
13	+	131016-55830	GASKET, FUEL CAP	1	
14	+	131051-56030	CLIP, FUEL CAP	1	100L

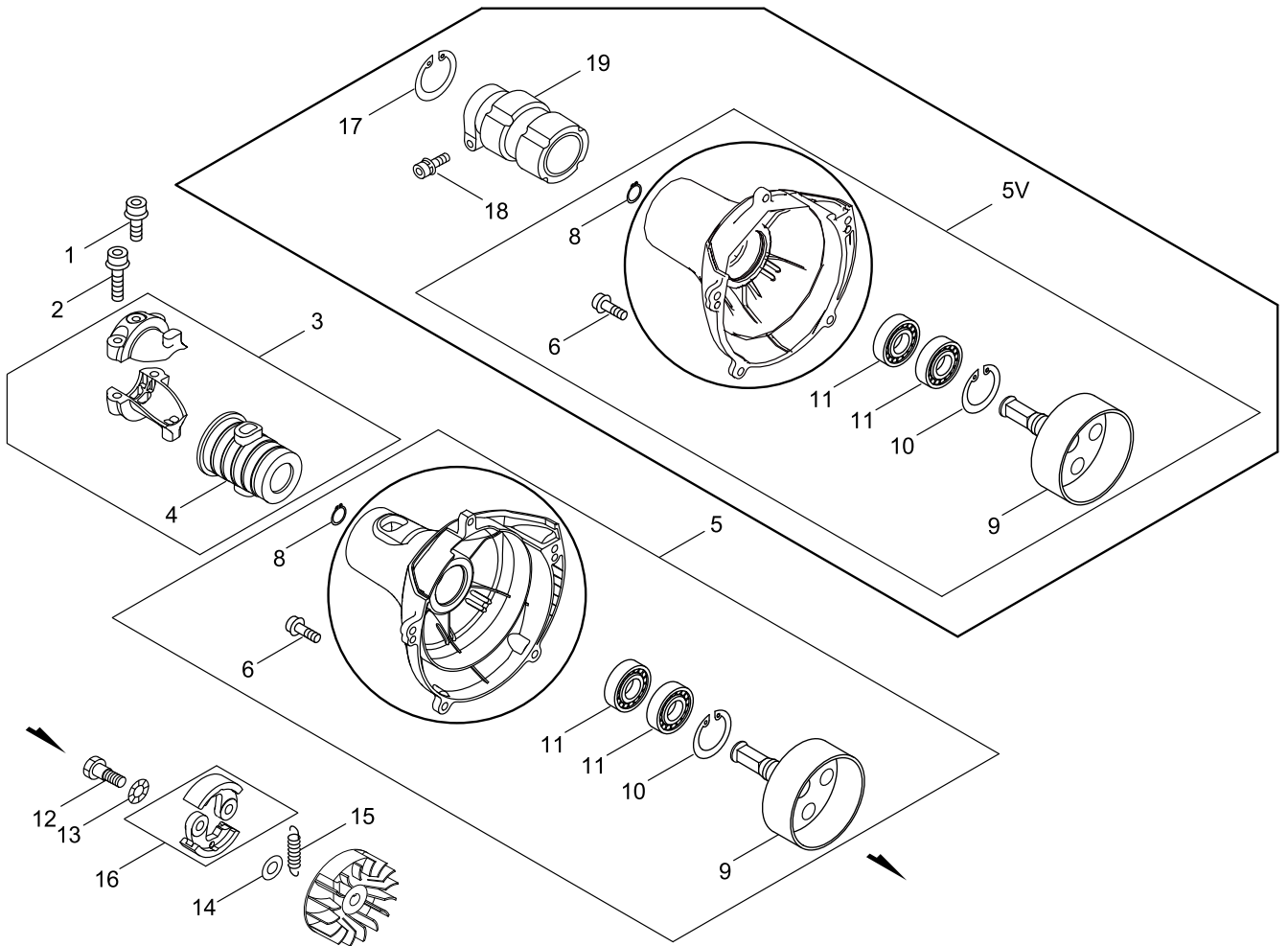
# RECOIL STARTER



## RECOIL STARTER

KEY NO	LV(+)	Part No	Description	Qty	Standard
1		V203-000260	BOLT,5	4	FCB5*16
2		A051-001211	STARTER,RECOIL ASY	1	
3	+	177236-61830	SCREW	1	
4	+	P022-008280	PLATE, CAM(TI12-511)	1	
5	+	P022-008270	SPRING,DAMPER	1	
6	+	177246-11120	CLIP, STARTER ROPE	1	
7	+	177228-27030	GRIP, STARTER	1	
8	+	177227-42030	GUIDE, ROPE	1	
9	+	P022-022110	ROPE, STARTER	1	
10	+	A506-000030	REEL,ROPE	1	
11	+	177220-40630	SPRING, REWIND	1	
12	+	900565-00005	NUT	1	5
13		900502-00008	NUT 8 (3N)	1	3N8
14		A052-000180	PULLEY,ASM STARTER	1	
15	+	P022-002100	E-RING	1	4
16	+	P022-006850	PAWL, STARTER	1	
17	+	P022-006510	SPRING, RETURN	1	

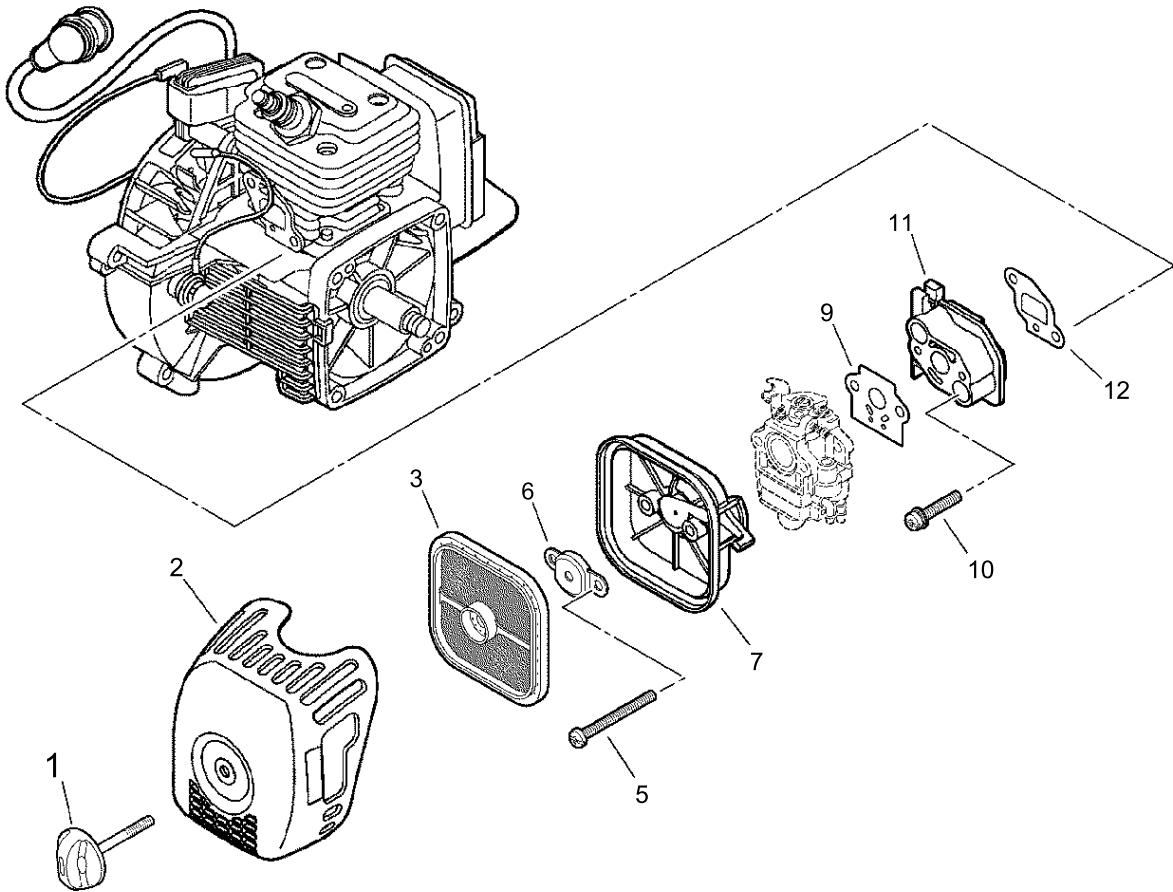
# FAN CASE



## FAN CASE

KEY NO	LV(+)	Part No	Description	Qty	Standard
1		900106-05025	BOLT, H.S. 5*25	2	5*25
2		900106-05010	BOLT, H.S. 5*10	1	
3		P021-013900	FIXTURE,MAIN PIPE	1	
4	+	V420-001400	CUSHION	1	
5		P021-039440	COVER ASY, FAN	1	
5V		P021-047460	COVER ASY, FAN	1	
6	+	900106-05020	BOLT, H.S. 5*20	4	5*20
8	+	900701-00012	CIRCLIP 12	1	CS-12
9	+	A556-000600	DRUM, CLUTCH	1	$\phi$ 64, $\square$ 6.95
10	+	900702-00028	CIRCLIP 28	1	CR-28
11	+	900807-06001	BEARING, BALL 6001	2	6001V(LB)
12		175046-56030	SHAFT, CLUTCH	2	
13		175049-56030	WASHER	2	8.5*16*0.5
14		175048-05530	WASHER (I)	2	6.2*19*1.0
15		A566-000020	SPRING, CLUTCH	1	
16		A553-000050	ARM, CLUTCH	2	
17		900702-00042	CIRCLIP 42	1	CR-42
18		900162-05028	BOLT, H.S. 5*28	1	5*28 W,SW
19		610922-55931	HOLDER, MAIN PIPE	1	

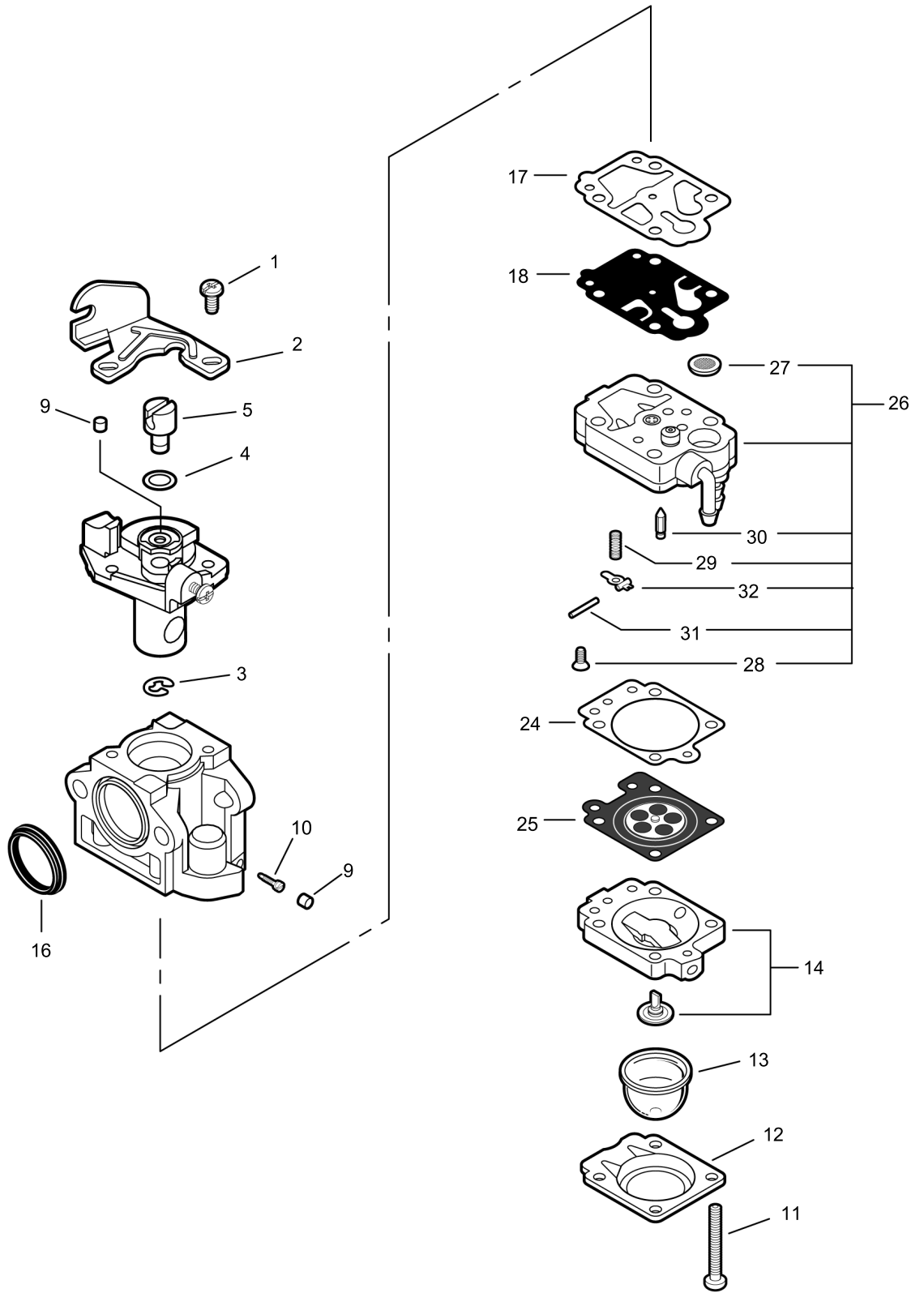
# AIR CLEANER



## AIR CLEANER

KEY NO	LV(+)	Part No	Description	Qty	Standard
1		V299-000250	KNOB,FASTENER	1	
2		A232-000360	LID,CLEANER	1	ID #1320
3		A226-000471	ELEMENT, AIR FILTER	1	
5		900242-05060	SCREW 5*60	2	5*60
6		A244-000070	PLATE,PREVENT	1	
7		P021-013820	CASE, AIR CLEANER	1	
9		V103-000160	GASKET,INTAKE	1	
10		900106-05030	BOLT, H.S.H. 5*30	2	5*30
11		A200-000270	INSULATOR, INTAKE	1	PM9685L
12		V103-000380	GASKET,INTAKE	1	T0.5

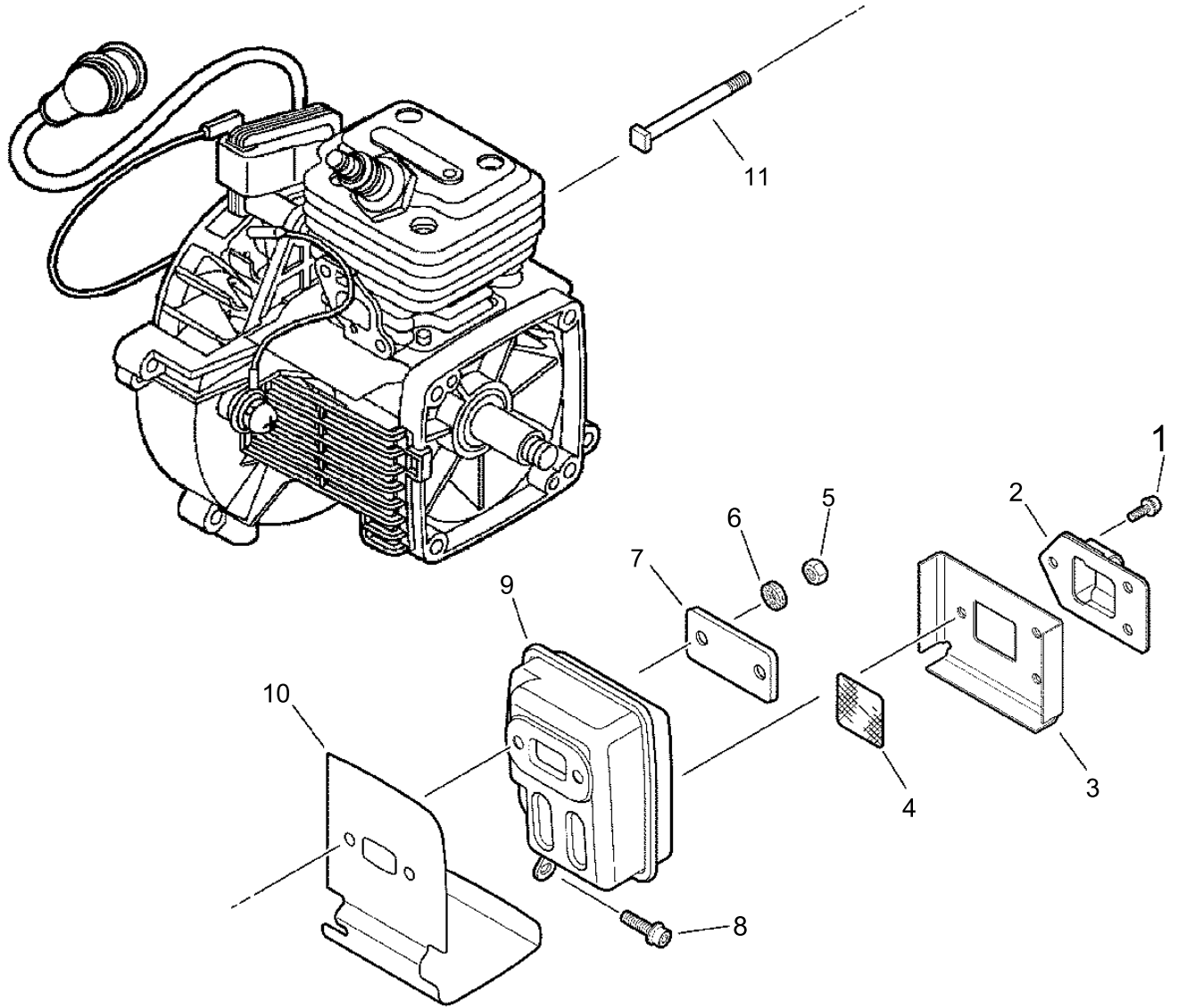
# CARBURETOR



## CARBURETOR

KEY NO	LV(+)	Part No	Description	Qty	Standard
		A021-001340	CARBURETOR, DIAPHRAGM	1	WYK-233A
1		123114-40630	SCREW	2	
2		P003-000180	BRACKET CABLE	1	
3		123173-07930	CLIP	1	
4		123149-54230	WASHER	1	
5		123172-45130	SWIVEL	1	
9		A259-000000	CAP,LIMITER	2	WALBRO 88-265
10		P003-001130	NEEDLE, HIGH SPEED	1	
11		123110-05560	SCREW, PUMP COVER	4	
12		123142-05560	COVER, PRIMER PUMP	1	
13		123181-40630	PUMP, PRIMER	1	
14		123180-05560	BODY, AIR PURGE	1	
16		123143-12110	RING, PACKING	1	
17		P003-000100	GASKET, PUMP	1	
18		123112-40630	DIAPHRAGM, PUMP	1	
24		123140-05560	GASKET, M. DIAPHRAGM	1	
25		P003-001850	DIAPHRAGM, METERING	1	
26		P003-000440	BODY ASY, PUMP	1	
27	+	123126-10631	SCREEN, INLET	1	
28	+	123139-05560	SCREW, M. LEVER PIN	1	
29	+	P003-000450	SPRING, METER. LEVER	1	
30	+	123137-19830	VALVE, INLET NEEDLE	1	
31	+	123138-03930	PIN, METERING LEVER	1	
32	+	123123-03930	LEVER, METERING	1	

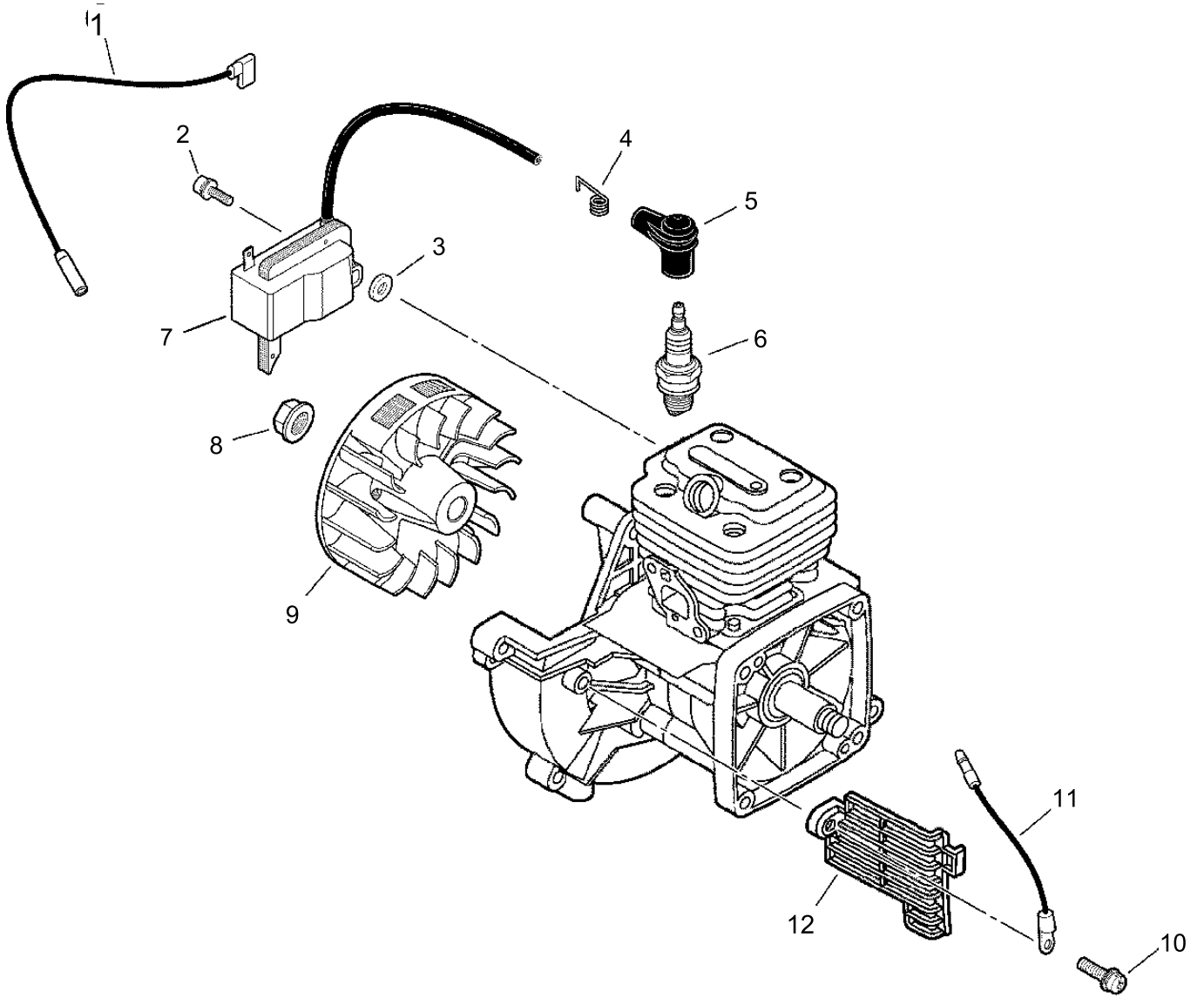
# MUFFLER



## MUFFLER

KEY NO	LV(+)	Part No	Description	Qty	Standard
1		91367-04010	SCREW	3	4*10/SW(SUS)
2		A313-000860	GUIDE, EXHAUST	1	
3		V104-000790	GASKET,EXHAUST	1	
4		145862-40630	SCREEN, MUFFLER	1	
5		900500-00005	NUT 5	2	5
6		92280-05000	WASHER, NORD-LOCK	2	NL5 5.4*9*1.8
7		V150-001760	PLATE,EYE	1	
8		900106-05016	BOLT, H.S. 5*16	1	5*16
9		A300-000640	MUFFLER, EXHAUST	1	CAT25X26DEF STAY
10		V104-000810	GASKET,EXHAUST	1	NP7002 T:1.0
11		V203-000120	BOLT,5	2	L=60

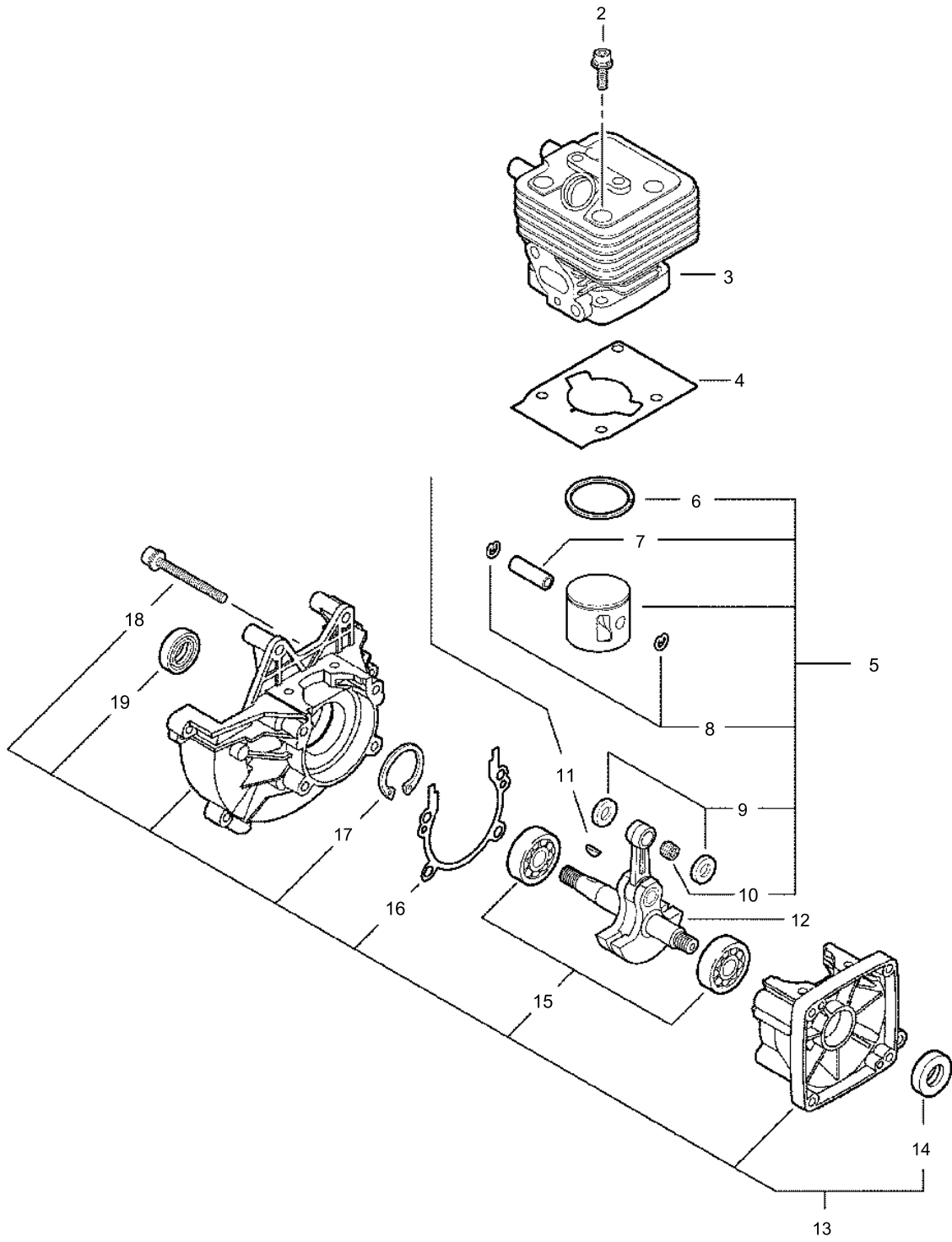
# MAGNETO



## MAGNETO

KEY NO	LV(+)	Part No	Description	Qty	Standard
1		V485-000810	LEAD	1	L215
2		900162-05020	BOLT, H.S. 5*20	2	5*20 W,SW
3		V323-000070	WASHER,CIRCULAR 5	2	5.2*10*3
4		159011-03432	COIL, SPARK PLUG	1	
5		159012-03433	CAP, SPARK PLUG	1	
6		A425-000000	SPARKPLUG	1	BPMR8Y
7		A411-000312	COIL, IGNITION	1	ID#C10415
8		900515-00008	NUT, FLANGE 8	1	8
9		A409-000290	ROTOR, MAGNETO	1	
10		900242-05010	SCREW 5*10	1	5*10
11		162014-27230	LEAD, GROUND	1	
12		A127-000150	COVER,DUST	1	

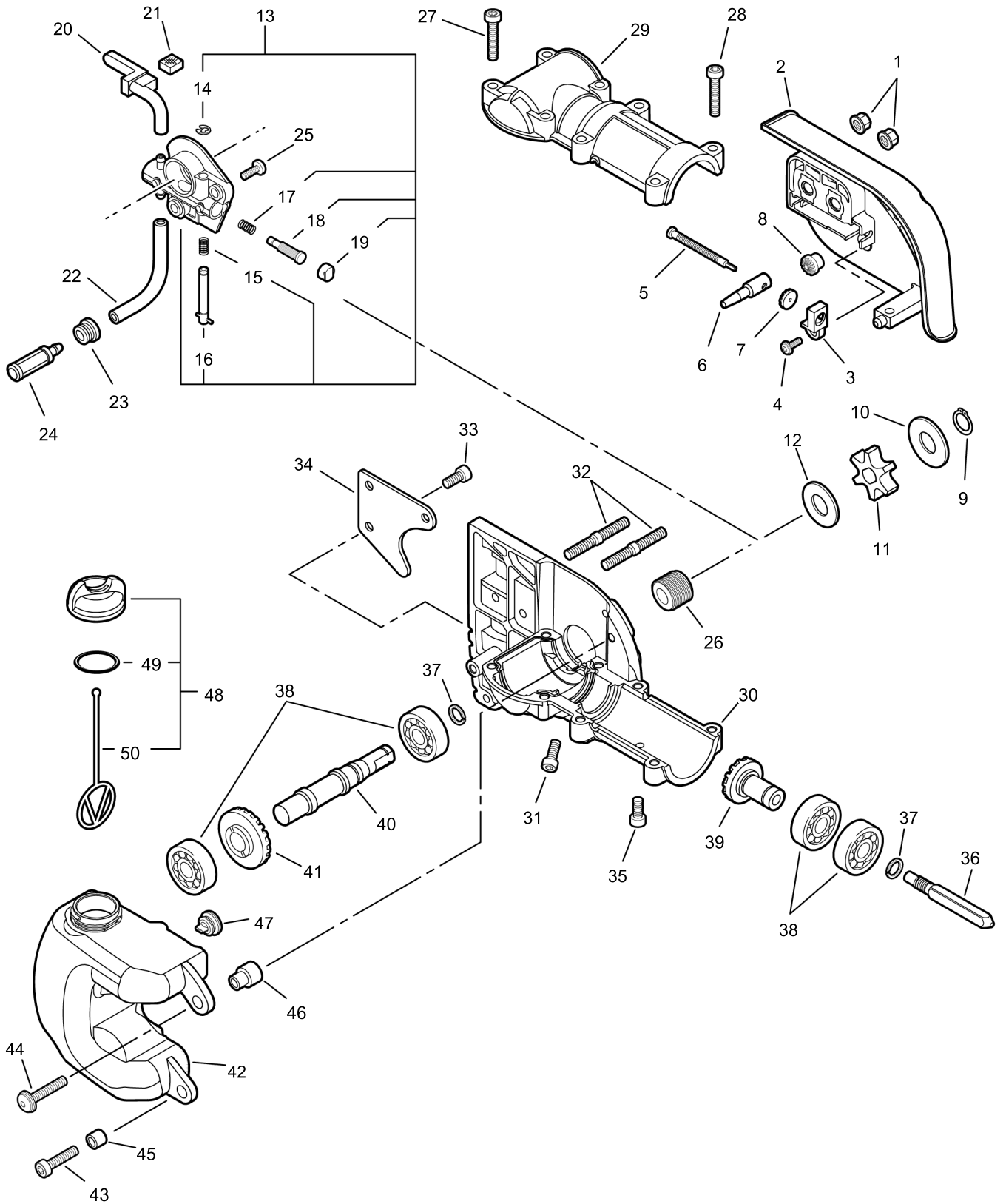
# CYLINDER, CRANKCASE, PISTON



## CYLINDER, CRANKCASE, PISTON

KEY NO	LV(+)	Part No	Description	Qty	Standard
2		91128-05025	BOLT HSH	4	
3		A130-000800	CYLINDER	1	
4		V100-000201	GASKET,CYL	1	
5		P021-010730	PISTON KIT	1	
6	+	A101-000170	RING, PISTON	1	34*1.5*1.5
7	+	100013-35430	PIN, PISTON	1	6*9*27.8
8	+	100015-03931	CIRCLIP, PISTON PIN	2	
9	+	V306-000200	WASHER,CIRCULAR 8	2	9.2*14*T0.5
10	+	100012-16131	BEARING, NEEDLE	1	
11		100142-12330	KEY, WOODRUFF	1	
12		A011-000471	CRANKSHAFT,ASY	1	
13		P021-010741	CRANKCASE KIT	1	
14	+	V505-000020	SEAL,OIL 12	1	12*22*7
15	+	94035-36201	BEARING BALL	1	6201X3JR2C3
16	+	V102-000030	GASKET,CRANKCASE	1	T:0.5
17	+	900702-00032	CIRCLIP 32	1	CR-32
18	+	91128-05028	BOLT HSH	4	
19	+	100212-03930	OILSEAL	1	ISCX12*32*5.5

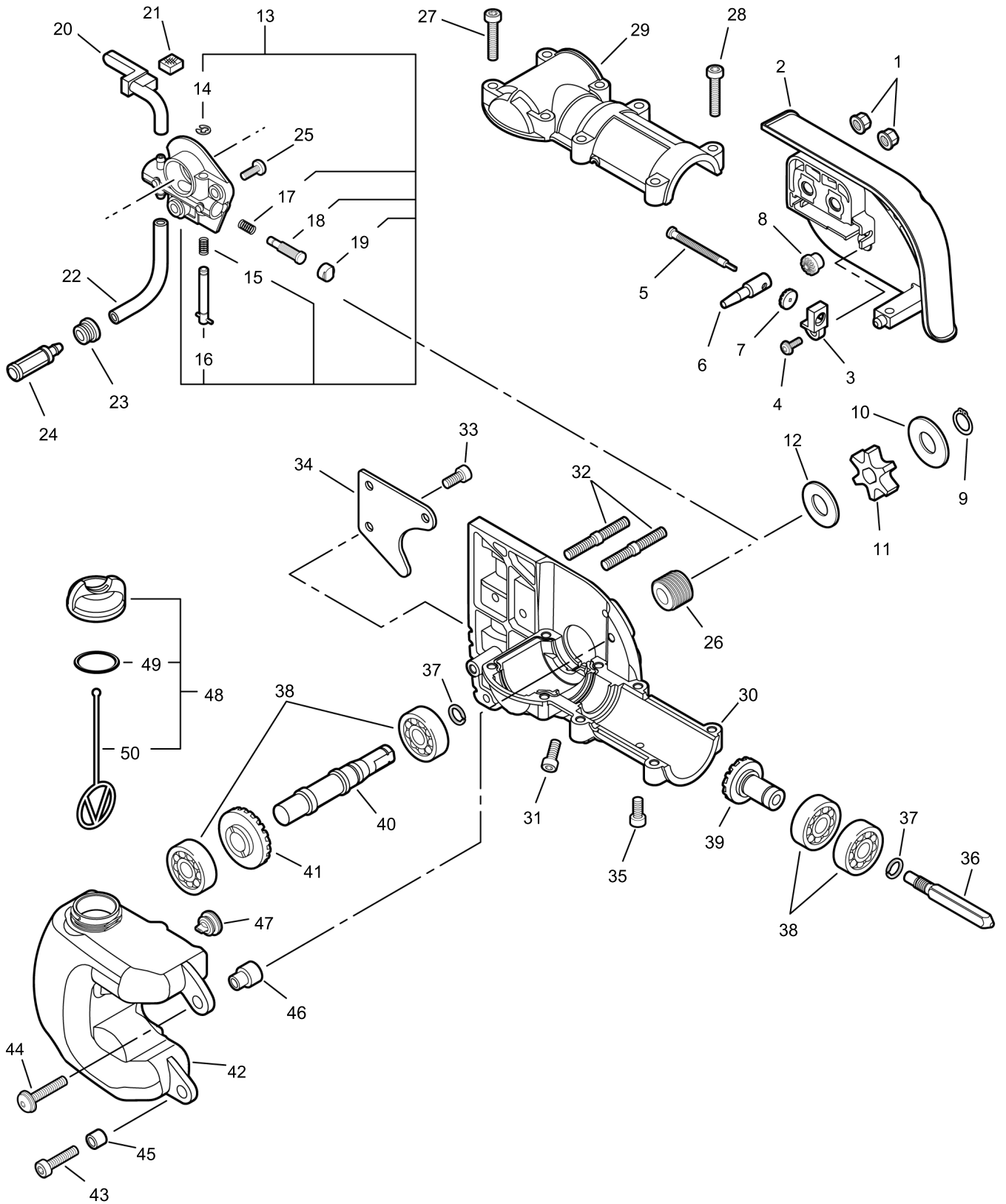
# GEAR CASE



## GEAR CASE

KEY NO	LV(+)	Part No	Description	Qty	Standard
1		433019-03933	NUT, FLANGE 6	2	6
2		C300-000920	GUARD, SPROCKET	1	COVER W/ SCREW
3		V355-000140	COLLAR,8	1	
4		V252-000040	SCREW,4	1	4*8 PT SCREW
5		V203-000041	BOLT,5	1	
6		C309-000030	TENSIONER,CHAIN	1	
7		V651-000310	GEAR,BEVEL	1	14 TEETH 3.0 SQ.
8		V651-000320	GEAR,BEVEL	1	14 TEETH 10MM LG
9		V583-000090	RING	1	EXTERNAL RING
10		V307-000160	WASHER,CIRCULAR 10	1	10.2*29.5*T=1.2
11		C580-000070	SPROCKET,DRIVE	1	
12		175014-39131	WASHER, CLUTCH	1	10.2*24.5*1.2
13		C022-000010	OILER,ASM AUTO	1	
14	+	125327-15130	CLIP	1	
15	+	P022-010670	SPRING	1	
16	+	P022-010680	SCREW ASS'Y, ADJUST	1	
17	+	P022-010660	SPRING	1	
18	+	P022-010650	PLUNGER	1	
19	+	P022-010640	CAP, OIL PUMP	1	
20		V470-000180	PIPE	1	
21		437244-39130	PAD, FORM	1	
22		130110-12330	PIPE, IMPULSE	1	3*6*70L
23		132115-01461	GROMMET	1	
24		436205-02832	STRAINER, OIL	1	
25		V253-000200	SCREW,5	2	M5*10 PAN MS
26		437063-38330	GEAR, WORM	1	
27		900105-05025	BOLT, H.S. 5*25	4	5*25
28		V253-000240	SCREW,5	4	M5*25 PAN MS
29		C531-000030	CASE,GEAR	1	
30		C531-000430	CASE,GEAR	1	LOWER
31		V253-000200	SCREW,5	1	M5*10 PAN MS
32		V224-000040	BOLT,STUD 6	2	15MM*19MM M6
33		V253-000200	SCREW,5	3	M5*10 PAN MS
34		C649-000140	HOOK	1	BRANCH HOOK
35		900105-05010	BOLT, H.S. 5*10	1	5*10
36		610025-22361	CONNECTOR, SHAFT	1	
37		900706-00012	CIRCLIP 12	2	WR-12
38		94052-06001	BEARING BALL	4	PEER LLU,DDU 2RS
39	+	V651-000201	GEAR,BEVEL	1	MG 0600.2259
40		C534-000430	SHAFT, GEAR	1	
41		V651-000210	GEAR,BEVEL	1	MG 0600.2259
42		C200-000080	TANK, OIL	1	
43		V253-000240	SCREW,5	1	M5*25 PAN MS

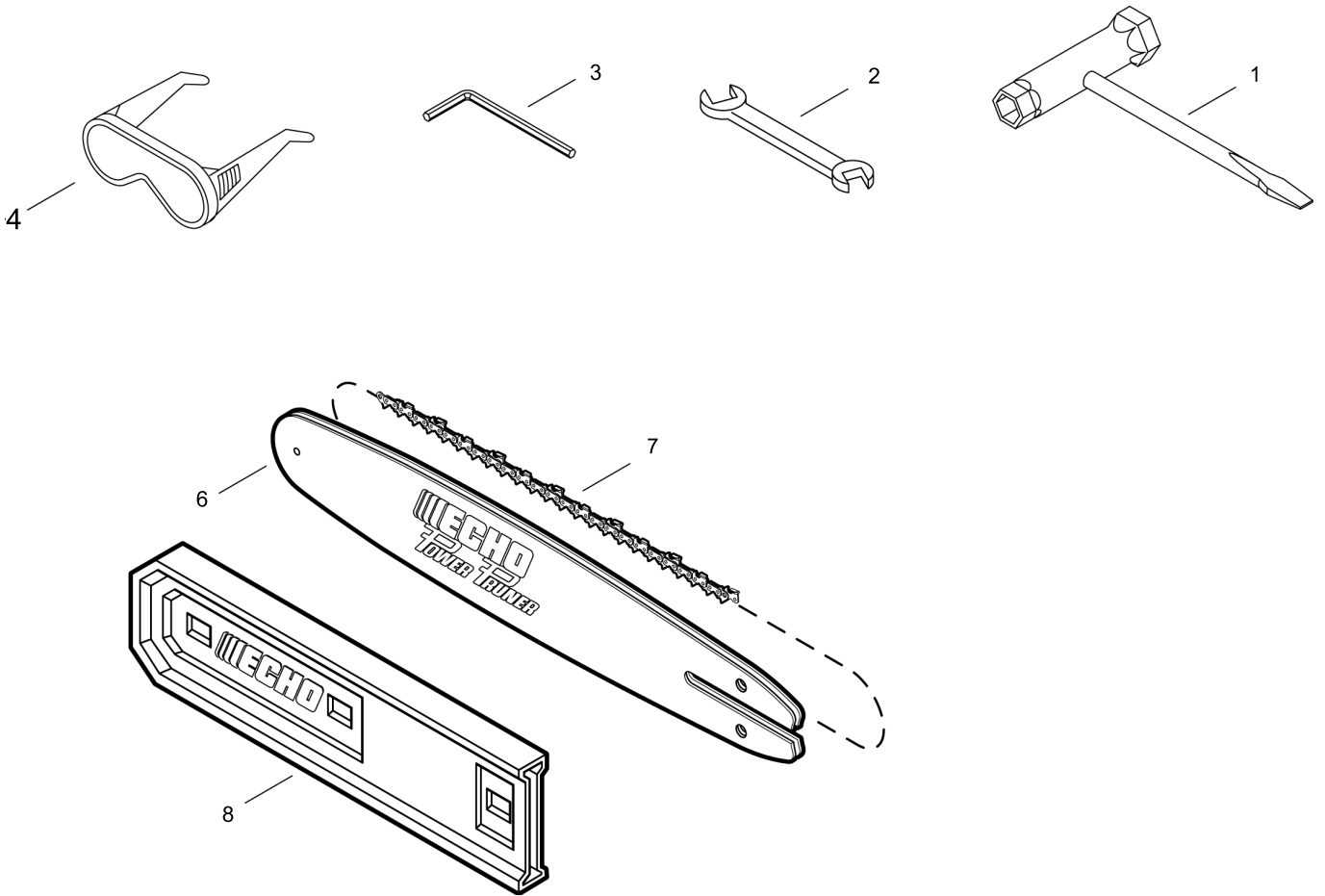
# GEAR CASE



## GEAR CASE

KEY NO	LV(+)	Part No	Description	Qty	Standard
44		V253-000230	SCREW,5	2	M5*20 PAN MS
45		131045-28230	COLLAR	2	
46		V354-000010	COLLAR,6	1	
47		131314-06320	VALVE, CHECK	1	
48		P021-005591	CAP ASY	1	
49	+	900720-00018	O-RING 18	1	P-18
50	+	A365-000050	CONNECTOR,CAP	1	

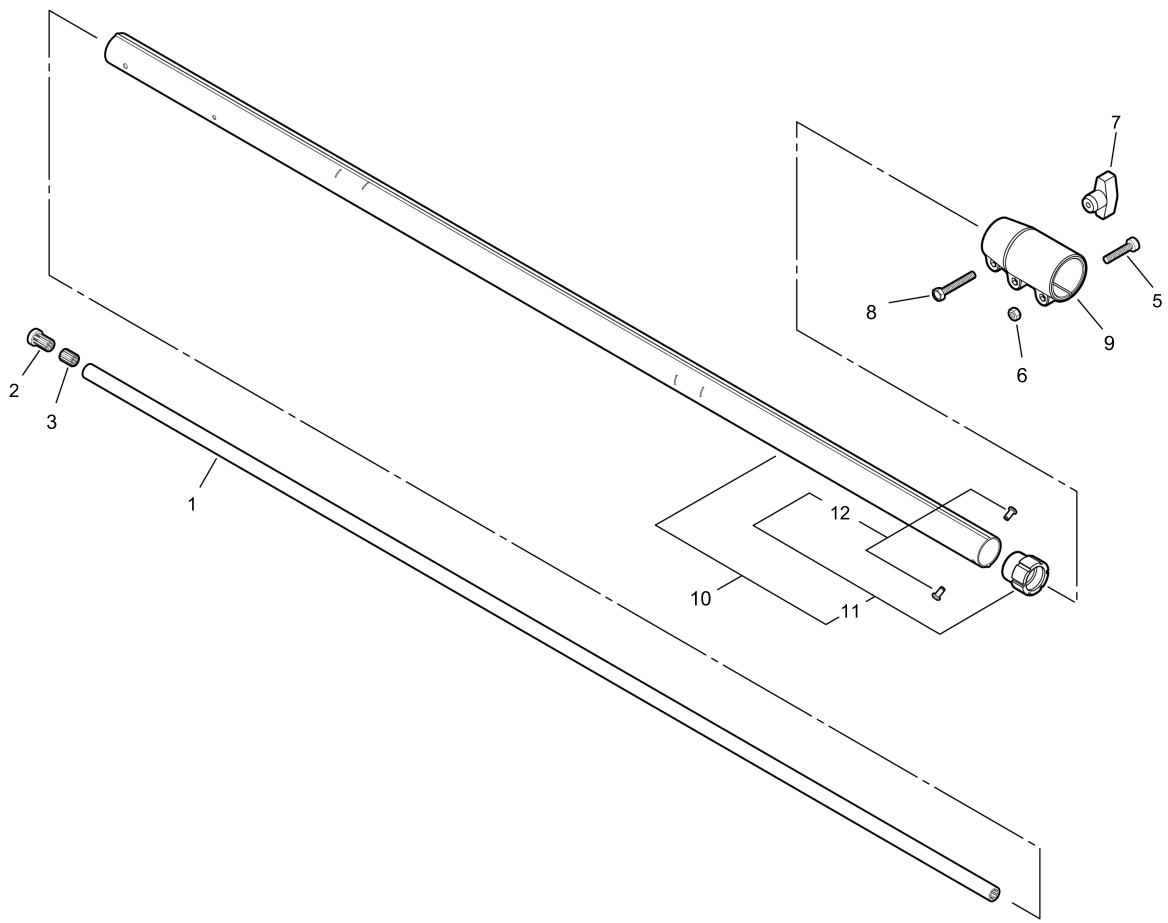
# ACCESSORIES



## ACCESSORIES

KEY NO	LV(+)	Part No	Description	Qty	Standard
1		895410-39131	WRENCH, W/S-DRIVER	1	
2		895112-00330	SPANNER 8*10	1	
3		X605-000100	TOOL,L WRENCH	1	4MM M5
4		X690-000050	GOGGLE	1	GOGGLE + NOTE
6		X122-000150	BAR,GUIDE 30	1	12A0CD3744
7		431611-22461	CHAIN,SAW	1	91VX44CQ
8		X490-000050	SCABBARD,CHAIN	1	12` BAR

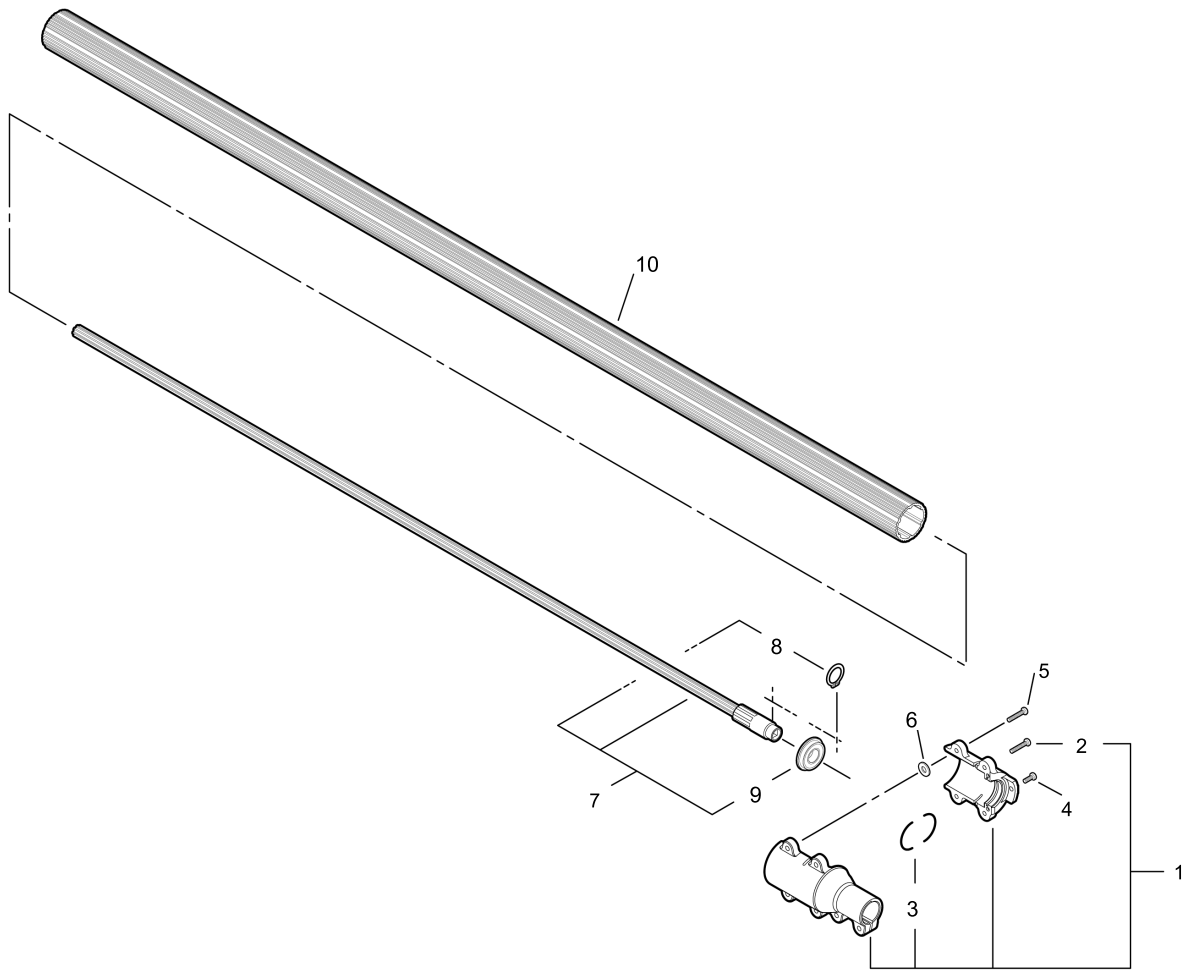
# DRIVE SHAFT



## DRIVE SHAFT

KEY NO	LV(+)	Part No	Description	Qty	Standard
1		C504-000410	SHAFT, DRIVE	1	L:65.875 IN.
2		C509-000080	SOCKET, SHAFT	1	12.2*16.5*25.4
3		C509-000090	SOCKET,SHAFT	1	DRIVE SIDE
5		900105-05020	BOLT, H.S. 5*20	2	5*20
6		900500-00005	NUT 5	2	5
7		V299-000321	KNOB,FASTENER	1	M6X1.0 THREAD
8		900100-06025	BOLT 6*25	1	6*25
9		C510-000171	COUPLING, MAIN PIPE	1	UPPER COUPLING
10		C050-001030	PIPE, MAIN	1	PIPE ASS'Y
11	++	C503-000080	HOLDER, BEARING	1	HOLDER ASSEMBLY
12	++	890011-22360	RIVET	2	

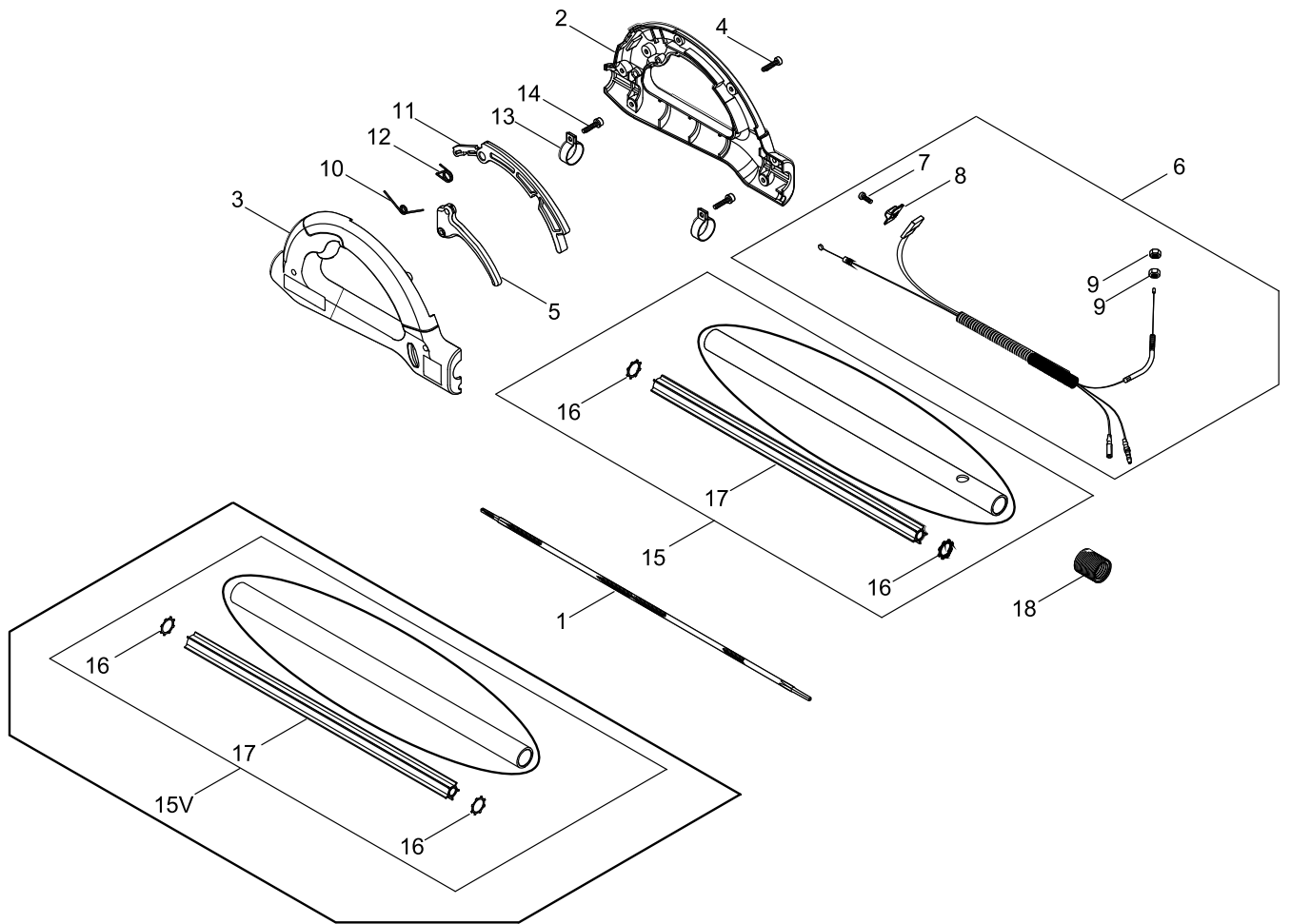
# DRIVE SHAFT



## DRIVE SHAFT

KEY NO	LV(+)	Part No	Description	Qty	Standard
1		C510-000163	COUPLING, MAIN PIPE	1	MACHINED 2-PARTS
2	+	900105-05020	BOLT, H.S. 5*20	2	5*20
3	+	V420-001810	CUSHION	2	OD 3.53MM*42 LNG
4		900105-05014	BOLT, H.S. 5*14	1	5*14
5		900105-05020	BOLT, H.S. 5*20	4	5*20
6		V303-000071	WASHER,CIRCULAR 5	2	5.4MM*15MM*1MM
7		C504-000451	SHAFT, DRIVE	1	DRIVE SHAFT ASSY
8	+	100229-22460	RING	1	
9	+	94057-36002	BEARING, BALL	1	PEER LLU,DDU
10		C500-000330	PIPE, MAIN	1	

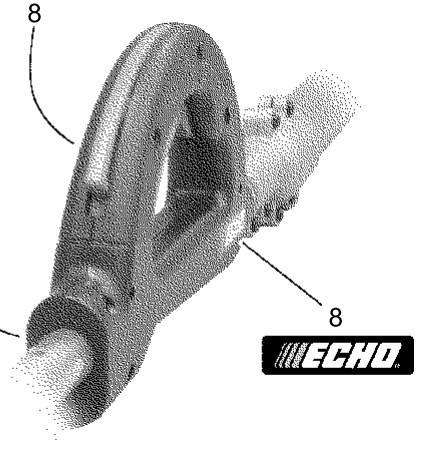
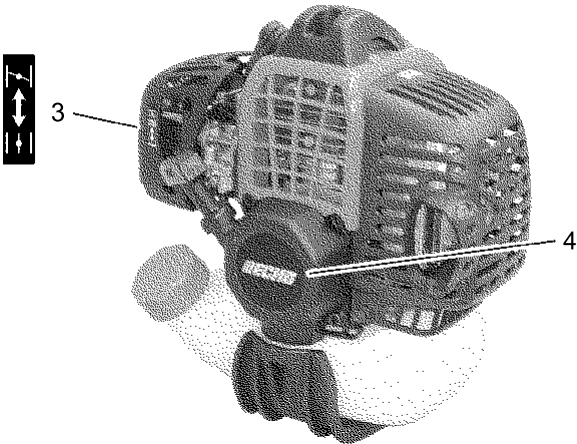
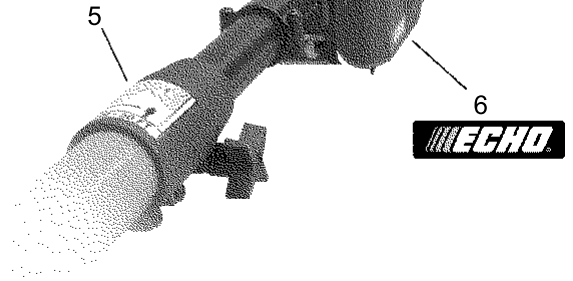
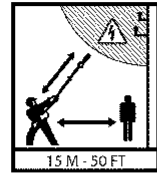
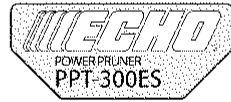
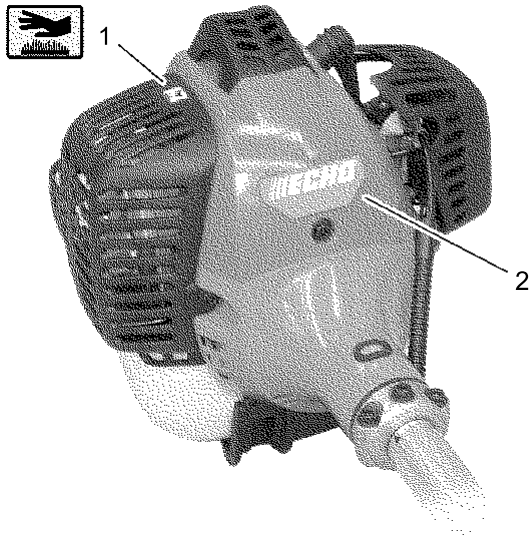
# THROTTLE LEVER



## THROTTLE LEVER

KEY NO	LV(+)	Part No	Description	Qty	Standard
1		C506-000140	SHAFT, FLEXIBLE	1	6.8 BOTH ENDS
2		C041-000000	HANDLE,ASM REAR	1	OVERMOLD - RIGHT
3		C041-000011	HANDLE,ASM REAR	1	OVERMOLD - LEFT
4		V253-000210	SCREW,5	7	M5*18 PAN PT
5		C450-000260	CONTROL, THROTTLE	1	PPT HANDLE
6		P021-039450	CABLE ASY,CONTROL	1	
7	+	91545-03010	SCREW TAPTITE-P	1	
8	+	A444-000020	KNOB,SWITCH	1	ACT3020-14F
9	+	900502-00006	NUT 6 (3N)	2	3N6
10		V452-000330	SPRING,TORSION	1	30MM*8 DIA.*30MM
11		C460-000100	LOCKOUT, THROTTLE	1	PPT HANDLE
12		V452-000340	SPRING,TORSION	1	10.5MM I.D.
13		V495-000680	BAND	2	
14		V253-000220	SCREW,5	2	M5*20 PAN SEM MS
15		C050-001040	PIPE, MAIN	1	PIPE ASS'Y (280)
15V		C050-002820	PIPE, MAIN	1	
16	+	V583-000110	RING	2	.625ID * .875OD
17	+	C507-000160	LINER, FLEXIBLE	1	L=410MM
18		V475-004000	TUBE	1	25MM*32MM*35MM

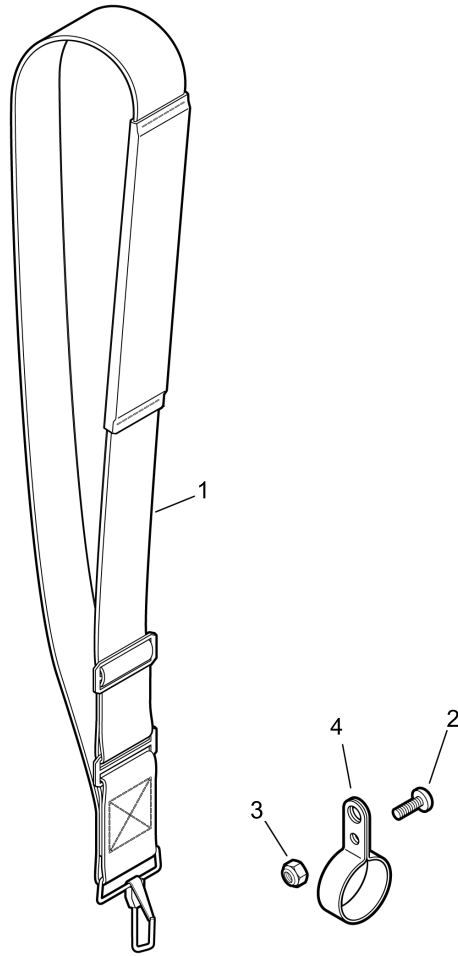
LABEL



## LABEL

KEY NO	LV(+)	Part No	Description	Qty	Standard
1		X505-002310	LABEL,CAUTION	1	HOT CAUTION
2		X547-001880	LABEL,ECHO	1	ECHO+ PPT-300ES
3		890332-52730	LABEL, CHOKE	1	
4		X502-000330	LABEL,ECHO	1	ECHO
5		X505-002371	LABEL,CAUTION	1	15M-50FT PRUNER
6		X502-000600	LABEL,ECHO	1	48MM*15MM + ECHO
7		X505-002361	LABEL,CAUTION	1	4-ISO SYMBOLS
8		X502-000610	LABEL,ECHO	2	62MM*16MM + ECHO

# HARNESS



## HARNESS

KEY NO	LV(+)	Part No	Description	Qty	Standard
1		301000-22060	HARNESS ASY, SHOULDER	1	
2		V253-000200	SCREW,5	1	M5*10 PAN MS
3		V263-000080	NUT,5	1	M5*0.8 LOCK NUT
4		300610-22061	BRACKET, HARNESS	1	24.69/24.84 I.D.

# NUMERICAL PARTS INDEX

Part No	Part description	Page	Part No	Part description	Page	Part No	Part description	Page
100012-16131	BEARING, NEEDLE	18	177236-61830	SCREW	6	900720-00018	O-RING 18	22
100013-35430	PIN, PISTON	18	177246-11120	CLIP, STARTER ROPE	6	900807-06001	BEARING, BALL 6001	8
100015-03931	CIRCLIP, PISTON PIN	18	300610-22061	BRACKET, HARNESS	34	91128-05025	BOLT HSH	18
100142-12330	KEY, WOODRUFF	18	301000-22060	HARNESS ASY, SHOULDER	34	91128-05028	BOLT HSH	18
100212-03930	OILSEAL	18	431611-22461	CHAIN,SAW	24	91367-04010	SCREW	14
100229-22460	RING	28	433019-03933	NUT, FLANGE 6	20	91545-03010	SCREW TAPTITE-P	30
123110-05560	SCREW, PUMP COVER	12	436205-02832	STRAINER, OIL	20	92280-05000	WASHER, NORD-LOCK	14
123112-40630	DIAPHRAGM, PUMP	12	437063-38330	GEAR, WORM	20	94035-36201	BEARING BALL	18
123114-40630	SCREW	12	437244-39130	PAD, FORM	20	94052-06001	BEARING BALL	20
123123-03930	LEVER, METERING	12	610025-22361	CONNECTOR, SHAFT	20	94057-36002	BEARING, BALL	28
123126-10631	SCREEN, INLET	12	610922-55931	HOLDER, MAIN PIPE	8	A011-000471	CRANKSHAFT,ASY	18
123137-19830	VALVE, INLET NEEDLE	12	890011-22360	RIVET	26	A021-001340	CARBURETOR, DIAPHRAGM	12
123138-03930	PIN, METERING LEVER	12	890332-52730	LABEL, CHOKE	32	A051-001211	STARTER,RECOIL ASY	6
123139-05560	SCREW, M. LEVER PIN	12	895112-00330	SPANNER 8*10	24	A052-000180	PULLEY,ASM STARTER	6
123140-05560	GASKET, M. DIAPHRAGM	12	895410-39131	WRENCH, W/S-DRIVER	24	A101-000170	RING, PISTON	18
123142-05560	COVER, PRIMER PUMP	12	900100-06025	BOLT 6*25	26	A127-000150	COVER,DUST	16
123143-12110	RING, PACKING	12	900105-05010	BOLT, H.S. 5*10	20	A130-000800	CYLINDER	18
123149-54230	WASHER	12	900105-05014	BOLT, H.S. 5*14	28	A160-000800	COVER,CYLINDER	2
123172-45130	SWIVEL	12	900105-05020	BOLT, H.S. 5*20	26	A162-000110	GUARD, TOP	2
123173-07930	CLIP	12	900105-05020	BOLT, H.S. 5*20	28	A175-000040	STAND	4
123180-05560	BODY, AIR PURGE	12	900105-05025	BOLT, H.S. 5*25	20	A200-000270	INSULATOR, INTAKE	10
123181-40630	PUMP, PRIMER	12	900106-05010	BOLT, H.S. 5*10	2	A226-000471	ELEMENT, AIR FILTER	10
125327-15130	CLIP	20	900106-05010	BOLT, H.S. 5*10	8	A232-000360	LID,CLEANER	10
130110-12330	PIPE, IMPULSE	20	900106-05016	BOLT, H.S. 5*16	14	A244-000070	PLATE,PREVENT	10
131004-55530	CAP ASSY, FUEL TANK	4	900106-05020	BOLT, H.S. 5*20	2	A259-000000	CAP,LIMITER	12
131016-55830	GASKET, FUEL CAP	4	900106-05020	BOLT, H.S. 5*20	4	A300-000640	MUFFLER, EXHAUST	14
131045-28230	COLLAR	22	900106-05020	BOLT, H.S. 5*20	8	A313-000860	GUIDE, EXHAUST	14
131051-56030	CLIP, FUEL CAP	4	900106-05025	BOLT, H.S. 5*25	8	A320-000400	COVER,MUFFLER	2
131314-06320	VALVE, CHECK	22	900106-05030	BOLT, H.S.H. 5*30	10	A350-000900	TANK,FUEL	4
132012-56030	PIPE	4	900162-05020	BOLT, H.S. 5*20	16	A356-000030	VALVE,CHECK	4
132013-09820	CLIP	4	900162-05028	BOLT, H.S. 5*28	8	A365-000050	CONNECTOR,CAP	22
132013-26630	CLIP	4	900242-05010	SCREW 5*10	16	A369-000000	STRAINER, FUEL	4
132115-01461	GROMMET	20	900242-05060	SCREW 5*60	10	A409-000290	ROTOR, MAGNETO	16
132115-55930	GROMMET, FUEL	4	900500-00005	NUT 5	14	A411-000312	COIL, IGNITION	16
145862-40630	SCREEN, MUFFLER	14	900500-00005	NUT 5	26	A425-000000	SPARKPLUG	16
159011-03432	COIL, SPARK PLUG	16	900502-00006	NUT 6 (3N)	30	A444-000020	KNOB,SWITCH	30
159012-03433	CAP, SPARK PLUG	16	900502-00008	NUT 8 (3N)	6	A506-000030	REEL,ROPE	6
162014-27230	LEAD, GROUND	16	900515-00008	NUT, FLANGE 8	16	A553-000050	ARM, CLUTCH	8
175014-39131	WASHER, CLUTCH	20	900565-00005	NUT	6	A556-000600	DRUM, CLUTCH	8
175046-56030	SHAFT, CLUTCH	8	900701-00012	CIRCLIP 12	8	A566-000020	SPRING, CLUTCH	8
175048-05530	WASHER (I)	8	900702-00028	CIRCLIP 28	8	C022-000010	OILER,ASM AUTO	20
175049-56030	WASHER	8	900702-00032	CIRCLIP 32	18	C041-000000	HANDLE,ASM REAR	30
177220-40630	SPRING, REWIND	6	900702-00042	CIRCLIP 42	8	C041-000011	HANDLE,ASM REAR	30
177227-42030	GUIDE, ROPE	6	900706-00012	CIRCLIP 12	20	C050-001030	PIPE, MAIN	26
177228-27030	GRIP, STARTER	6						

# NUMERICAL PARTS INDEX

Part No	Part description	Page	Part No	Part description	Page	Part No	Part description	Page
C050-001040	PIPE, MAIN	30	P022-010680	SCREW ASS'Y, ADJUST	20	V651-000210	GEAR,BEVEL	20
C050-002820	PIPE, MAIN	30	P022-022110	ROPE, STARTER	6	V651-000310	GEAR,BEVEL	20
C200-000080	TANK, OIL	20	V100-000201	GASKET,CYL	18	V651-000320	GEAR,BEVEL	20
C300-000920	GUARD, SPROCKET	20	V102-000030	GASKET,CRANKCASE	18	X122-000150	BAR,GUIDE 30	24
C309-000030	TENSIONER,CHAIN	20	V103-000160	GASKET,INTAKE	10	X490-000050	SCABBARD,CHAIN	24
C450-000260	CONTROL, THROTTLE	30	V103-000380	GASKET,INTAKE	10	X502-000330	LABEL,ECHO	32
C460-000100	LOCKOUT, THROTTLE	30	V104-000790	GASKET,EXHAUST	14	X502-000600	LABEL,ECHO	32
C500-000330	PIPE, MAIN	28	V104-000810	GASKET,EXHAUST	14	X502-000610	LABEL,ECHO	32
C503-000080	HOLDER, BEARING	26	V150-001760	PLATE,EYE	14	X505-002310	LABEL,CAUTION	32
C504-000410	SHAFT, DRIVE	26	V203-000041	BOLT,5	20	X505-002361	LABEL,CAUTION	32
C504-000451	SHAFT, DRIVE	28	V203-000120	BOLT,5	14	X505-002371	LABEL,CAUTION	32
C506-000140	SHAFT, FLEXIBLE	30	V203-000260	BOLT,5	2	X547-001880	LABEL,ECHO	32
C507-000160	LINER, FLEXIBLE	30	V203-000260	BOLT,5	6	X605-000100	TOOL,L WRENCH	24
C509-000080	SOCKET, SHAFT	26	V203-000270	BOLT,5	2	X690-000050	GOGGLE	24
C509-000090	SOCKET,SHAFT	26	V224-000040	BOLT,STUD 6	20			
C510-000163	COUPLING, MAIN PIPE	28	V252-000040	SCREW,4	20			
C510-000171	COUPLING, MAIN PIPE	26	V253-000200	SCREW,5	20			
C531-000030	CASE,GEAR	20	V253-000200	SCREW,5	34			
C531-000430	CASE,GEAR	20	V253-000210	SCREW,5	30			
C534-000430	SHAFT, GEAR	20	V253-000220	SCREW,5	30			
C580-000070	SPROCKET,DRIVE	20	V253-000230	SCREW,5	22			
C649-000140	HOOK	20	V253-000240	SCREW,5	20			
P003-000100	GASKET, PUMP	12	V263-000080	NUT,5	34			
P003-000180	BRACKET CABLE	12	V299-000250	KNOB,FASTENER	10			
P003-000440	BODY ASY, PUMP	12	V299-000321	KNOB,FASTENER	26			
P003-000450	SPRING, METER. LEVER	12	V303-000071	WASHER,CIRCULAR 5	28			
P003-001130	NEEDLE, HIGH SPEED	12	V306-000200	WASHER,CIRCULAR 8	18			
P003-001850	DIAPHRAGM, METERING	12	V307-000160	WASHER,CIRCULAR 10	20			
P021-005591	CAP ASY	22	V323-000070	WASHER,CIRCULAR 5	16			
P021-010730	PISTON KIT	18	V354-000010	COLLAR,6	22			
P021-010741	CRANKCASE KIT	18	V355-000140	COLLAR,8	20			
P021-013820	CASE, AIR CLEANER	10	V420-001400	CUSHION	8			
P021-013900	FIXTURE,MAIN PIPE	8	V420-001810	CUSHION	28			
P021-039440	COVER ASY, FAN	8	V452-000330	SPRING,TORSION	30			
P021-039450	CABLE ASY,CONTROL	30	V452-000340	SPRING,TORSION	30			
P021-047460	COVER ASY, FAN	8	V470-000180	PIPE	20			
P022-002100	E-RING	6	V470-000580	PIPE	4			
P022-006510	SPRING, RETURN	6	V471-000110	PIPE	4			
P022-006850	PAWL, STARTER	6	V475-004000	TUBE	30			
P022-008270	SPRING,DAMPER	6	V485-000810	LEAD	16			
P022-008280	PLATE, CAM(TI12-511)	6	V495-000680	BAND	30			
P022-010640	CAP, OIL PUMP	20	V505-000020	SEAL,OIL 12	18			
P022-010650	PLUNGER	20	V583-000090	RING	20			
P022-010660	SPRING	20	V583-000110	RING	30			
P022-010670	SPRING	20	V651-000201	GEAR,BEVEL	20			