

# **shindaiwa<sup>®</sup>**

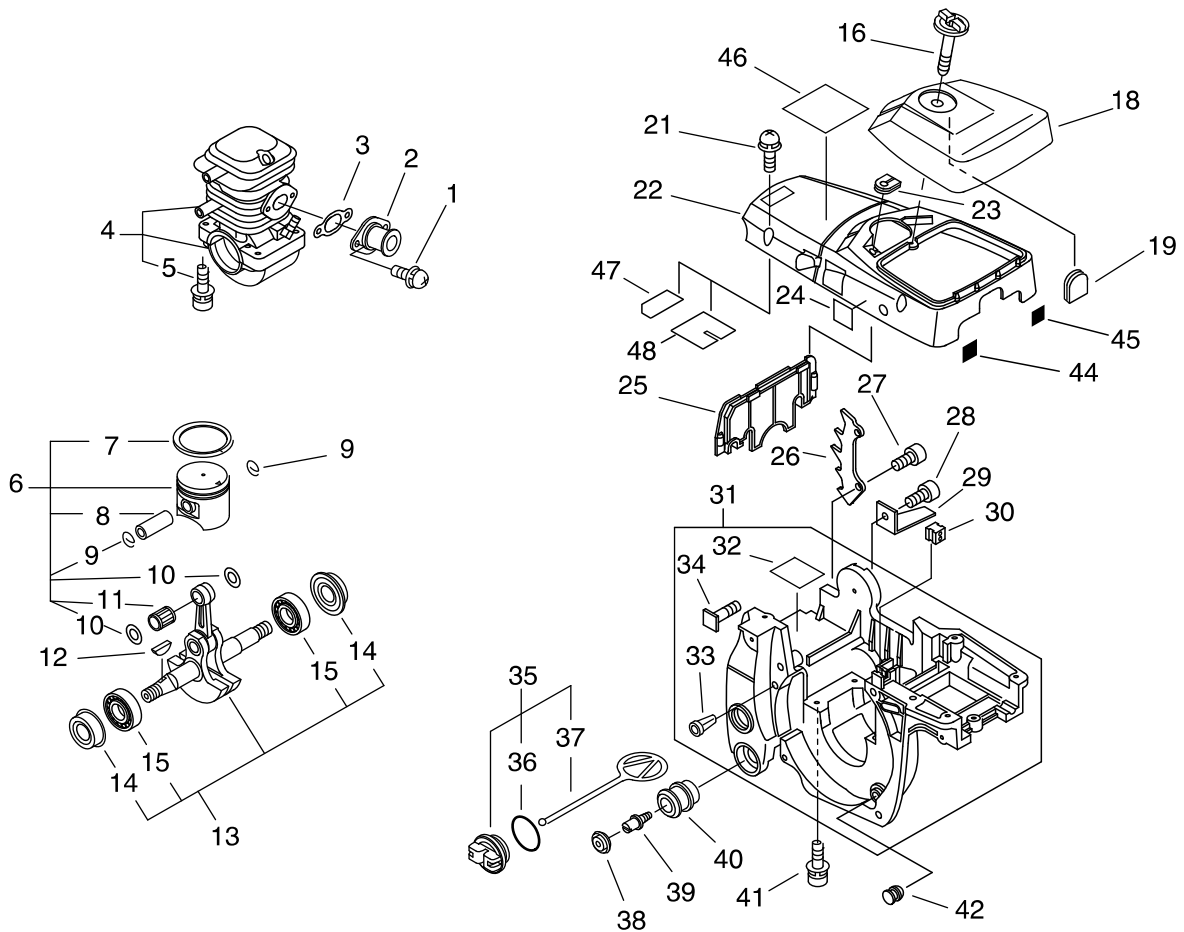
## **PARTS CATALOG**

**CHAIN SAW**

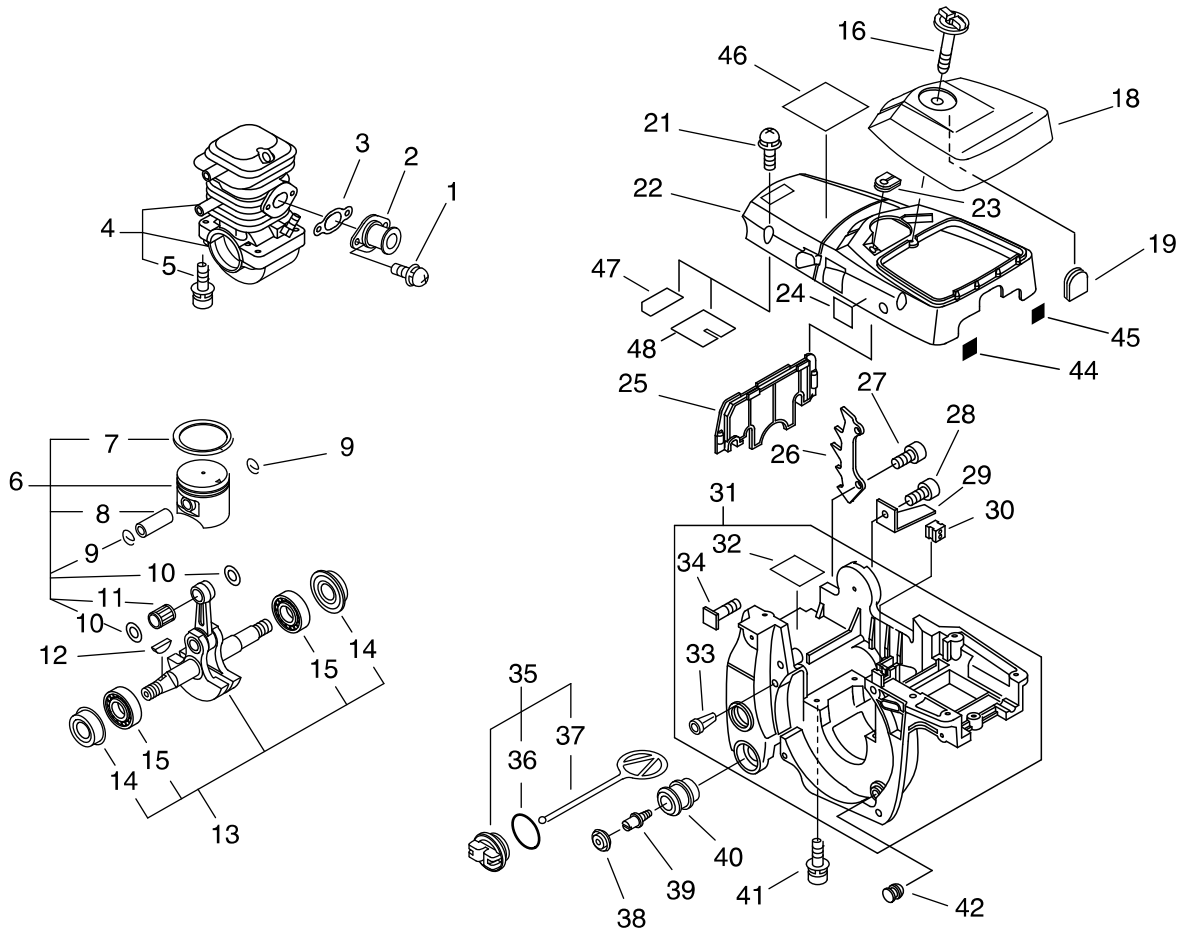
**363s**

**CE**

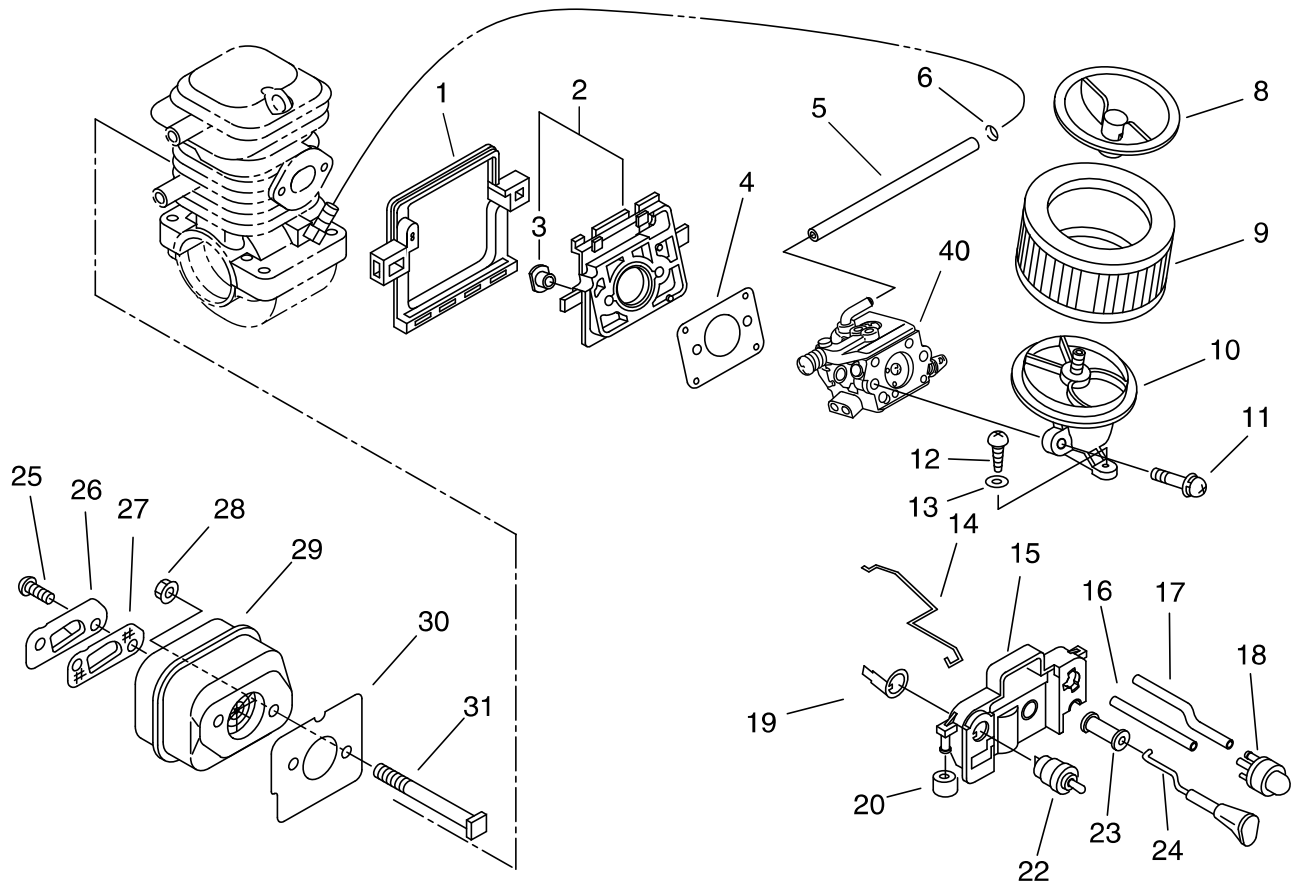
P016-000670-11Jb



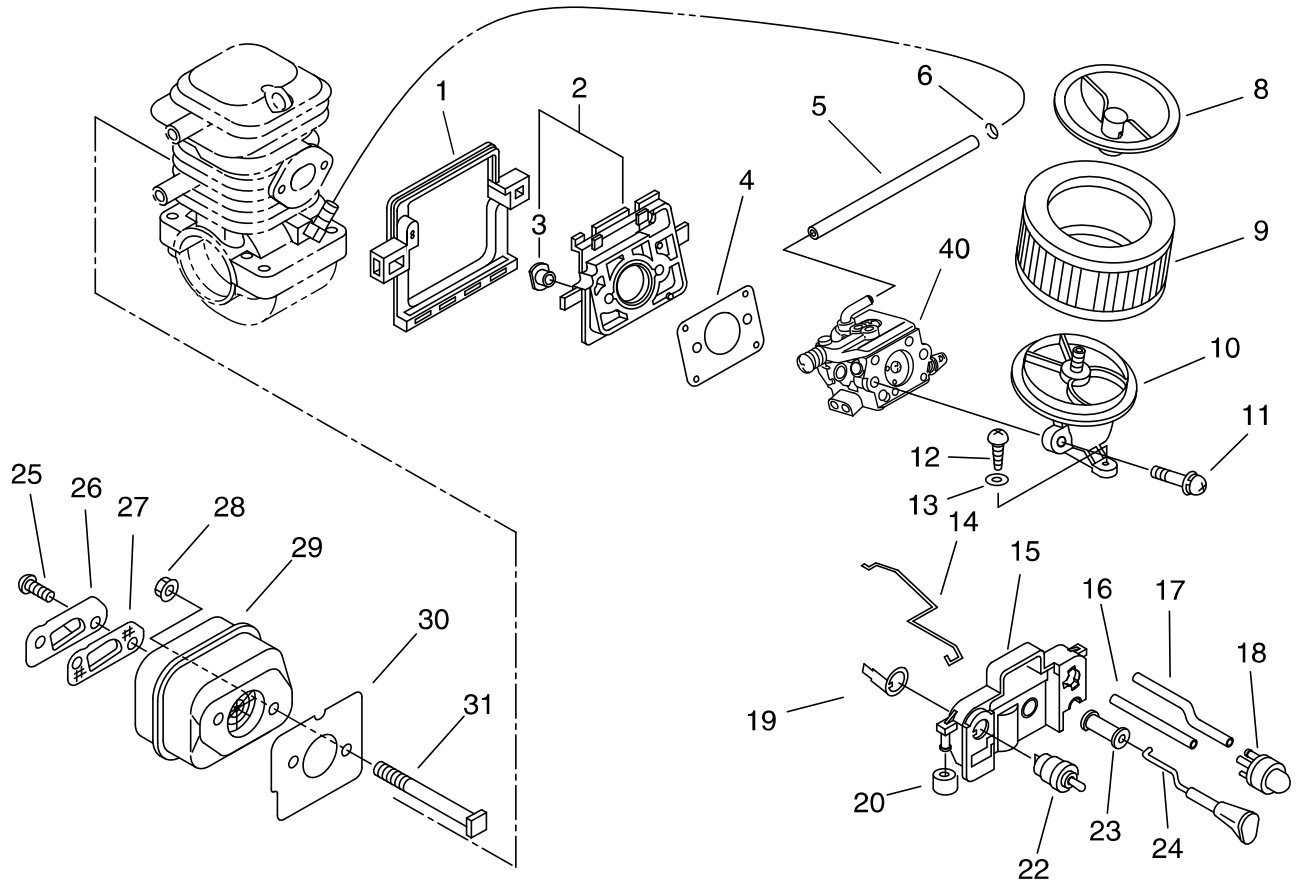
KEY	LV	PART NUMBER	Q'TY	DESCRIPTION	REMARKS
1		900238-05014	2	SCREW 5*14	
2		A202-000060	1	BELLOWS, INTAKE	
3		V103-000290	1	GASKET, INTAKE	
4		P021-009823	1	CRANKCASE SET	
5	+	900162-05022	4	BOLT, H.S. 5*22	
6		P021-009830	1	PISTON KIT	
7	+	A101-000110	1	RING, PISTON	
8	+	100013-27430	1	PIN, PISTON	
9	+	100015-03931	2	CIRCLIP, PISTON PIN	
10	+	100014-53630	2	SPACER, PISTON PIN	
11	+	100012-16131	1	BEARING, NEEDLE	
12		100142-12330	1	KEY, WOODRUFF	
13		P021-012140	1	CRANKSHAFT ASY	
14	+	V505-000010	2	SEAL, OIL 12	
15	+	900888-36201	2	BEARING, BALL 6201	
16		A235-000000	1	KNOB, CLEANER LID	
18		A232-000540	1	LID, CLEANER	
19		130338-32430	1	PLUG, COVER	
21		900238-05020	3	SCREW 5*20	
22		A160-001220	1	COVER, CYLINDER	
23		V135-000010	1	GROMMET, HT CORD	
24		890631-38130	1	LABEL, CAUTION	
25		A209-000000	1	PLATE, INSULATOR	
26		C304-000010	1	SPIKED	
27		91145-05020	2	BOLT HS TAPPING	
28		91145-05016	1	BOLT HS TAPPING	



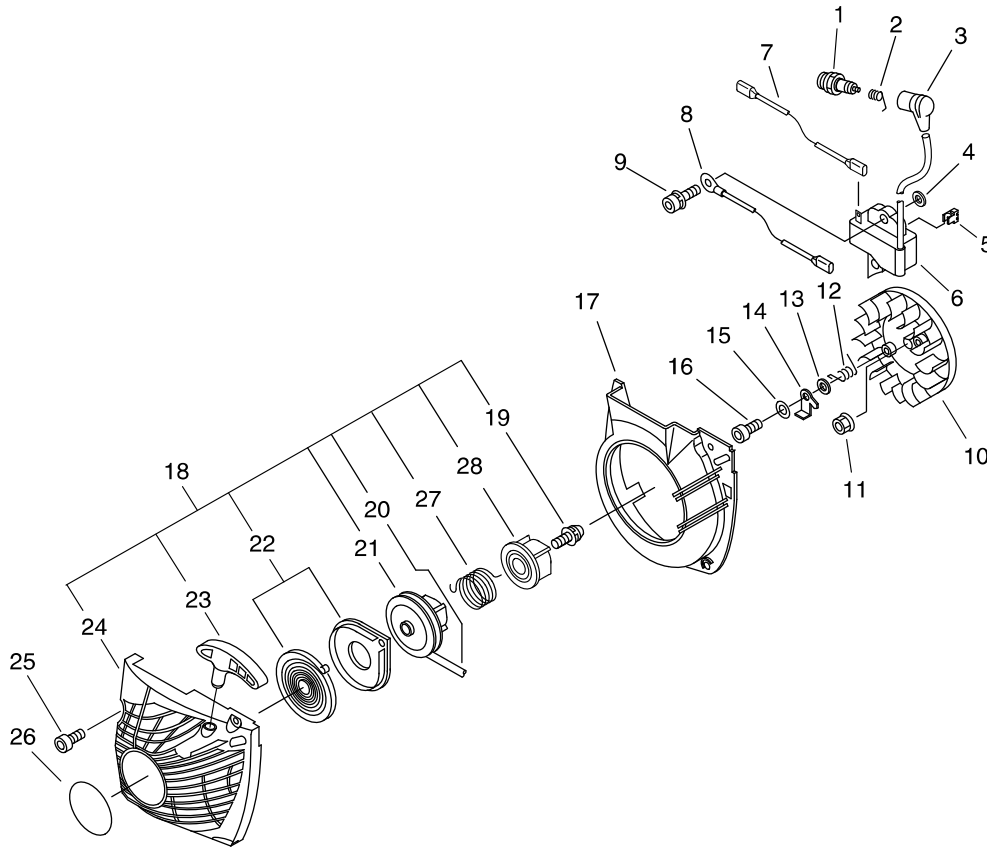
KEY	LV	PART NUMBER	Q'TY	DESCRIPTION	REMARKS
29		C310-000000	1	CATCHER, CHAIN	
30		150114-04920	1	BUSHING	
31		P021-016780	1	COVER ENGINE ASY	
32	+	V341-000050	1	WASHER, SQUARE	
33	+	436114-13930	1	VALVE, CHECK	
34	+	433011-19830	2	STUD, GUIDE BAR	
35		P021-007630	1	CAP ASY, TANK	
36	+	900721-00025	1	O-RING 25	
37	+	A365-000050	1	CONNECTOR, CAP	
38		100918-15130	2	CAP	
39		100915-33930	2	SCREW	
40		100910-60030	2	CUSHION	
41		900162-05030	4	BOLT, H.S. 5*30	
42		V420-001250	2	CUSHION	
44		890157-39130	1	LABEL, SWITCH	
45		X524-001900	1	LABEL	
46		890345-39230	1	LABEL, CAUTION	
47		V341-000070	1	WASHER, SQUARE	
48		V341-000060	1	WASHER, SQUARE	



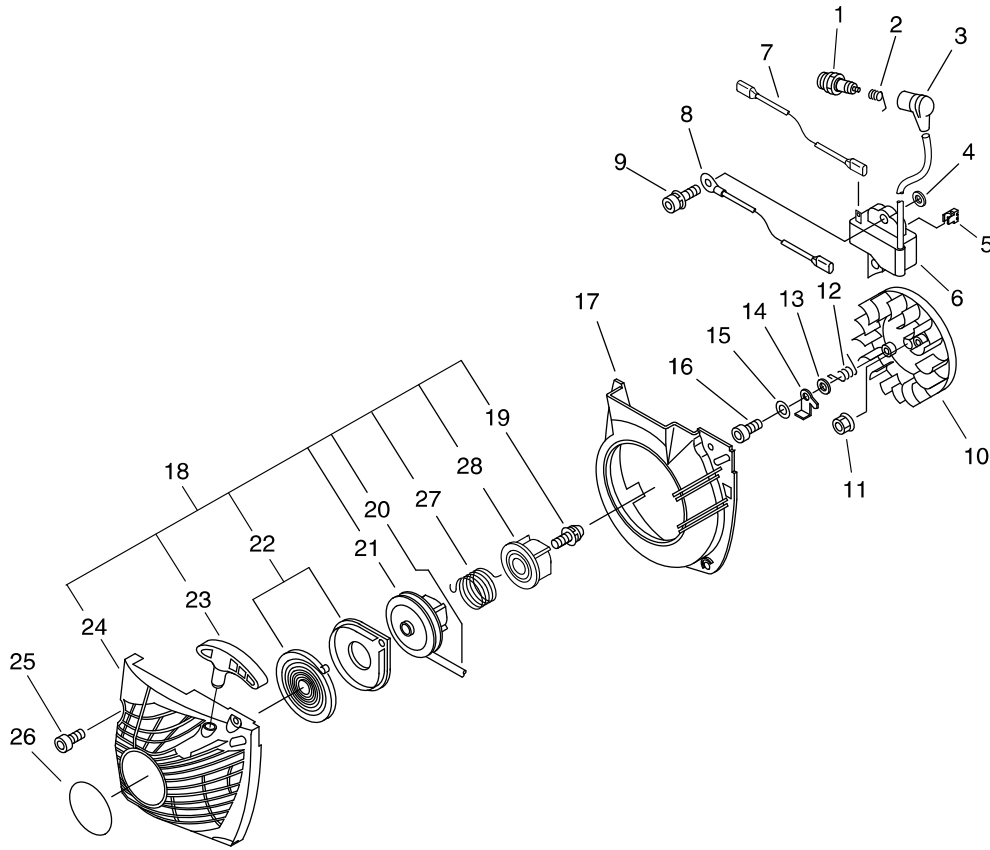
KEY	LV	PART NUMBER	Q'TY	DESCRIPTION	REMARKS
1		V420-001420	1	CUSHION	
2		130007-39932	1	INSULATOR	
3	+	130020-33330	2	NUT	
4		V103-000280	1	GASKET,INTAKE	
5		V471-001600	1	PIPE	
6		132013-09820	1	CLIP	
8		130405-38332	1	BRACKET, AIR CLEANER	
9		130300-39730	1	CLEANER ASM., AIR	
10		130301-39935	1	ADAPTER, INTAKE	
11		900238-05050	2	SCREW 5*50	
12		900253-05020	1	SCREW 5*20	
13		900600-00005	1	WASHER 5	
14		C454-000100	1	ROD, THROTTLE	
15		A439-000430	1	BRACKET, SWITCH	
16		V471-001280	1	PIPE	
17		V471-001470	1	PIPE	
18		123181-39130	1	PUMP, PRIMER	
19		V486-000021	1	TERMINAL, LEAD	
20		351134-39930	2	CUSHION	
22		163400-38330	1	SWITCH, IGNITION	
23		178810-14534	1	GROMMET	
24		A241-000200	1	KNOB, CHOKE	
25		900220-04008	2	SCREW 4*8	
26		A313-000760	1	GUIDE, EXHAUST	
27		A310-000060	1	SCREEN, ARRESTOR	
28		900516-00005	2	NUT, FRANGE 5	



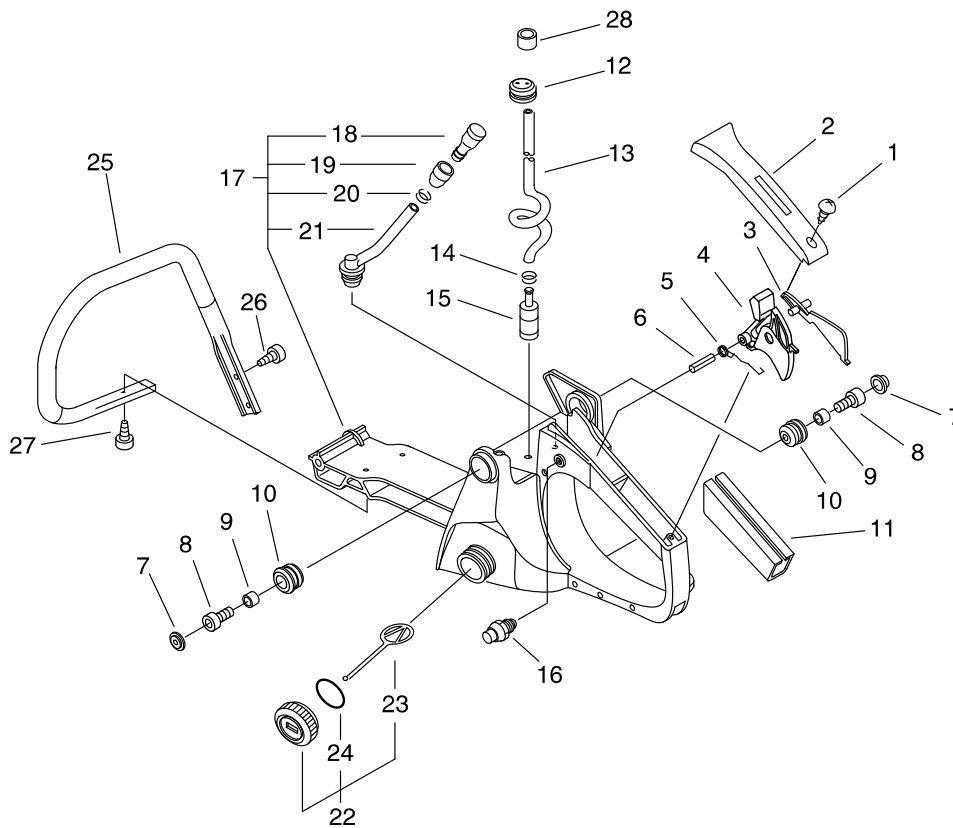
KEY	LV	PART NUMBER	Q'TY	DESCRIPTION	REMARKS
29		A300-000620	1	MUFFLER, EXHAUST	
30		V104-000731	1	GASKET, EXHAUST	
31		V203-000120	2	BOLT, 5	
40		A021-001790	1	CARBURETOR, DIAPHRAGM	



KEY	LV	PART NUMBER	Q'TY	DESCRIPTION	REMARKS
1		A425-000000	1	SPARKPLUG	
2		A426-000010	1	TERMINAL,SPARKPLUG	
3		A427-000013	1	CAP,SPARK PLUG	
4		150117-16430	2	SPACER	
5		V490-000310	1	CLIP	
6		A411-000264	1	COIL, IGNITION	
7		V485-000680	1	LEAD	
8		V485-000620	1	LEAD	
9		900162-05020	2	BOLT, H.S. 5*20	
10		A409-000272	1	ROTOR, MAGNETO	
11		900515-00008	1	NUT, FLANGE 8	
12		177234-35430	2	SPRING, RETURN	
13		177247-04630	2	SPACER, RATCHET	
14		A514-000050	2	PAWL	
15		900603-00005	2	WASHER 5	
16		V203-000090	2	BOLT,5	
17		A172-000572	1	COVER,FAN	
18		A051-001450	1	STARTER,RECOIL	
19	+	177236-61830	1	SCREW	
20	+	P022-008440	1	ROPE, STARTER	
21	+	A506-000080	1	REEL,ROPE	
22	+	P022-010440	1	SPRING KIT, REWIND	
23	+	P022-005891	1	GRIP, STARTER	
24	+	A500-000421	1	CASE,STARTER	
27	+	V452-000220	1	SPRING,TORSION	
28	+	A507-000021	1	CATCHER,PAWL	

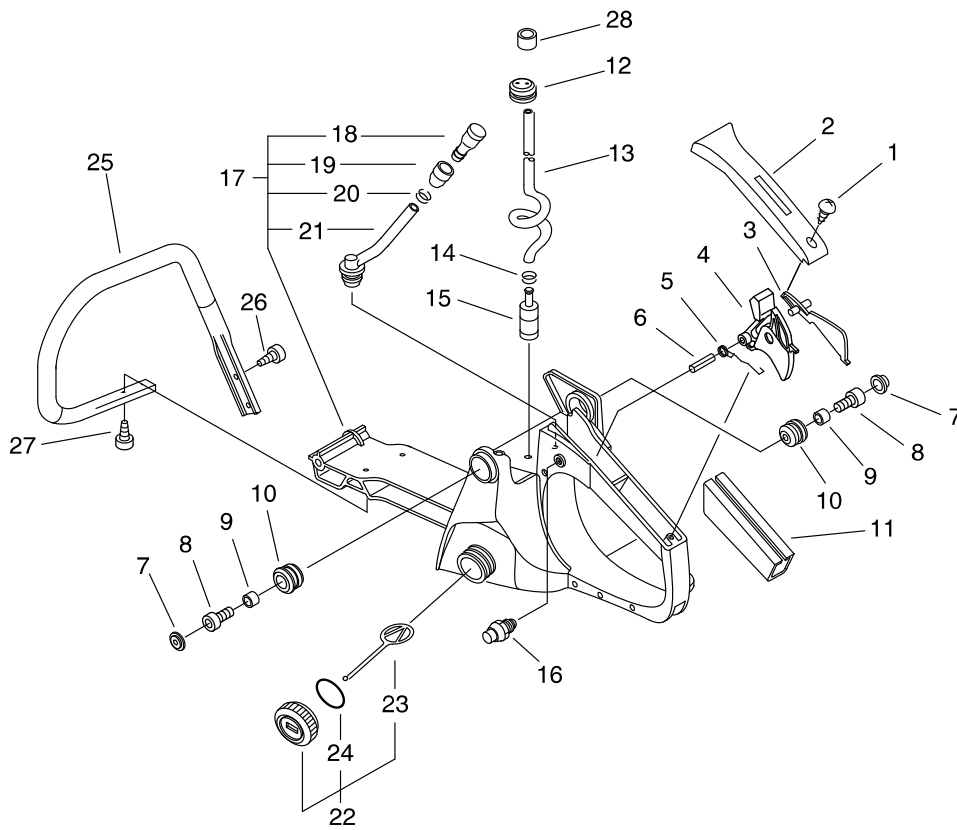


KEY	LV	PART NUMBER	Q'TY	DESCRIPTION	REMARKS
25		91145-05020	4	BOLT HS TAPPING	
26		X503-009890	1	LABEL,MODEL	

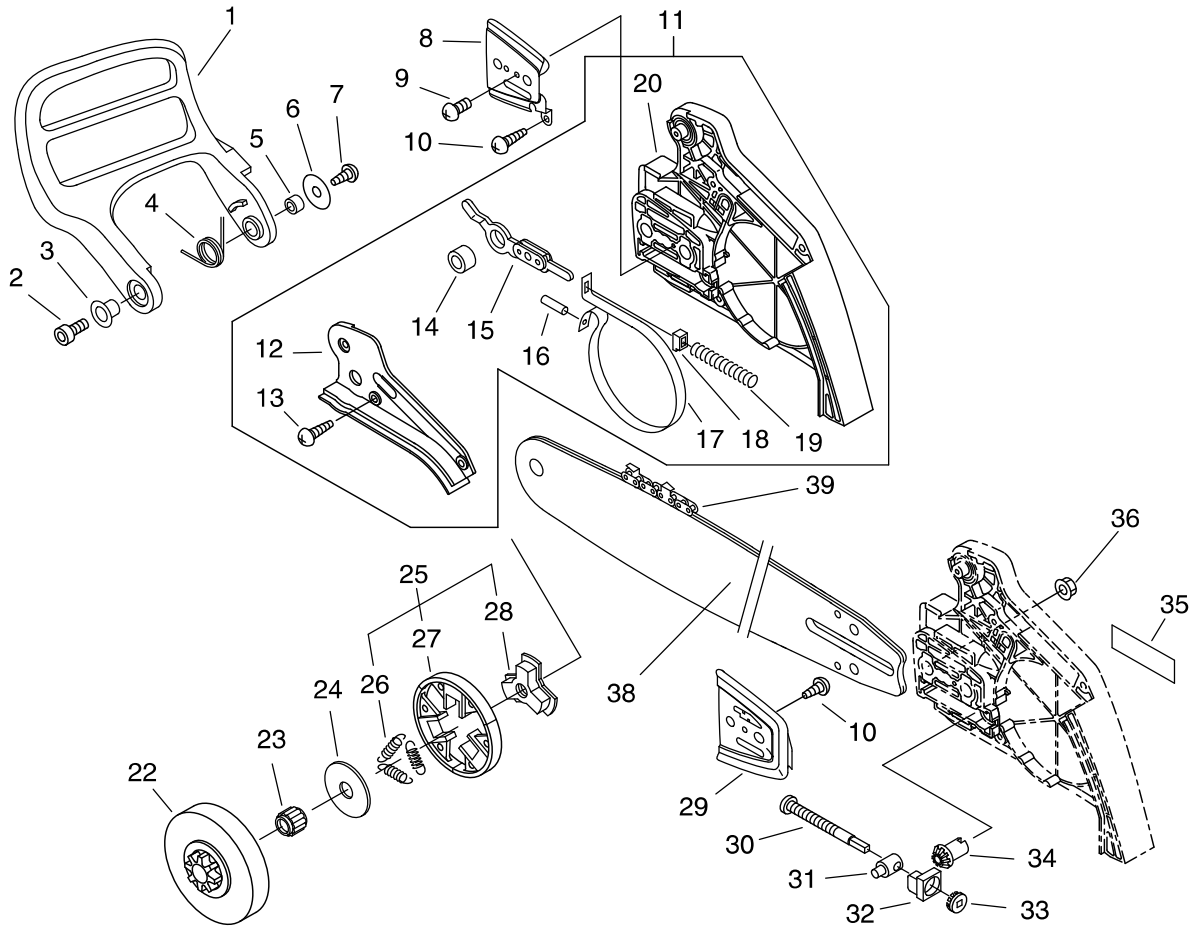


KEY	LV	PART NUMBER	Q'TY	DESCRIPTION	REMARKS
1		900253-04014	1	SCREW 4*14	
2		C411-000060	1	LID,HANDLE	
3		C460-000150	1	LOCKOUT,THROTTLE	
4		C450-000212	1	CONTROL, THROTTLE	
5		V452-000260	1	SPRING,TORSION	
6		900345-40030	1	PIN, SPRING 4*30SUS	
7		100918-15130	2	CAP	
8		91100-04022	2	BOLT	
9		V352-000070	2	COLLAR,4	
10		V400-000051	2	CUSHION,4	
11		351111-19830	1	GRIP, HANDLE	
12		132115-44330	1	GROMMET	
13		132010-00760	1	PIPE, FUEL	
14		132013-09820	1	CLIP	
15		131205-19831	1	STRAINER, FUEL	
16		V162-000040	1	PLUG	
17		P021-016820	1	HANDLE SET, REAR	
18	+	131300-56430	1	VALVE, CHECK	
19	+	131328-40630	1	COVER, VENT	
20	+	132013-26630	1	CLIP	
21	+	132012-39931	1	PIPE	
22		P021-004561	1	CAP ASY,FUEL TANK	
23	+	A365-000050	1	CONNECTOR,CAP	
24	+	900720-00022	1	O-RING 22	
25		C400-000430	1	HANDLE, FRONT	
26		91145-05020	2	BOLT HS TAPPING	

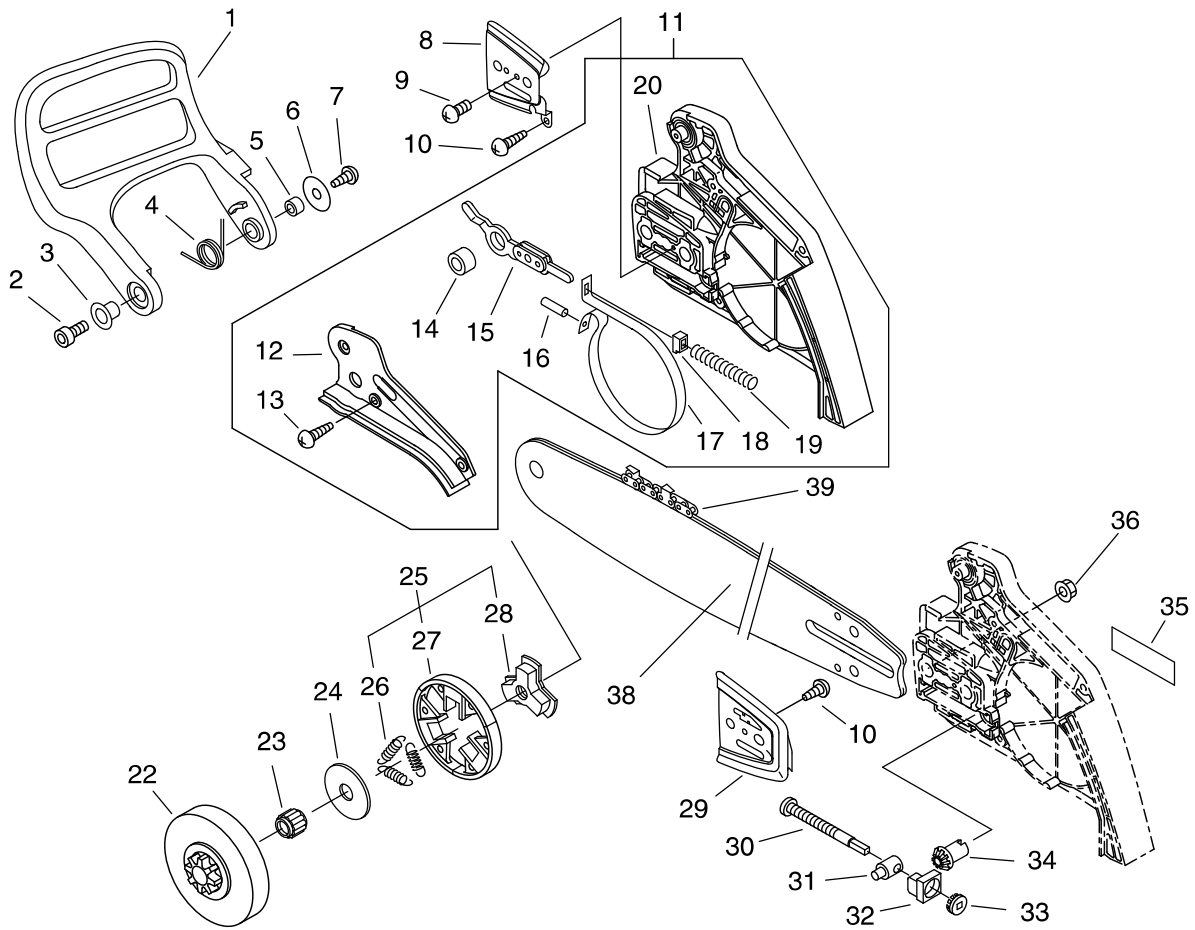




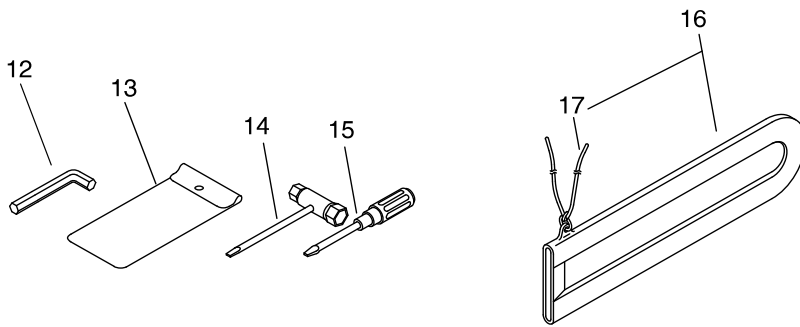
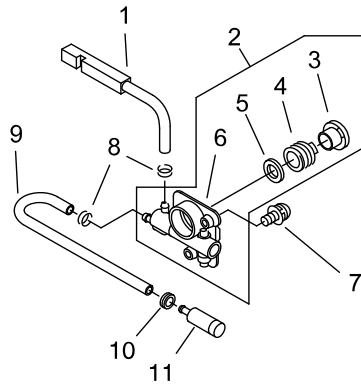
KEY	LV	PART NUMBER	Q'TY	DESCRIPTION	REMARKS
27		91145-05016	2	BOLT HS TAPPING	
28		V475-003970	1	TUBE	



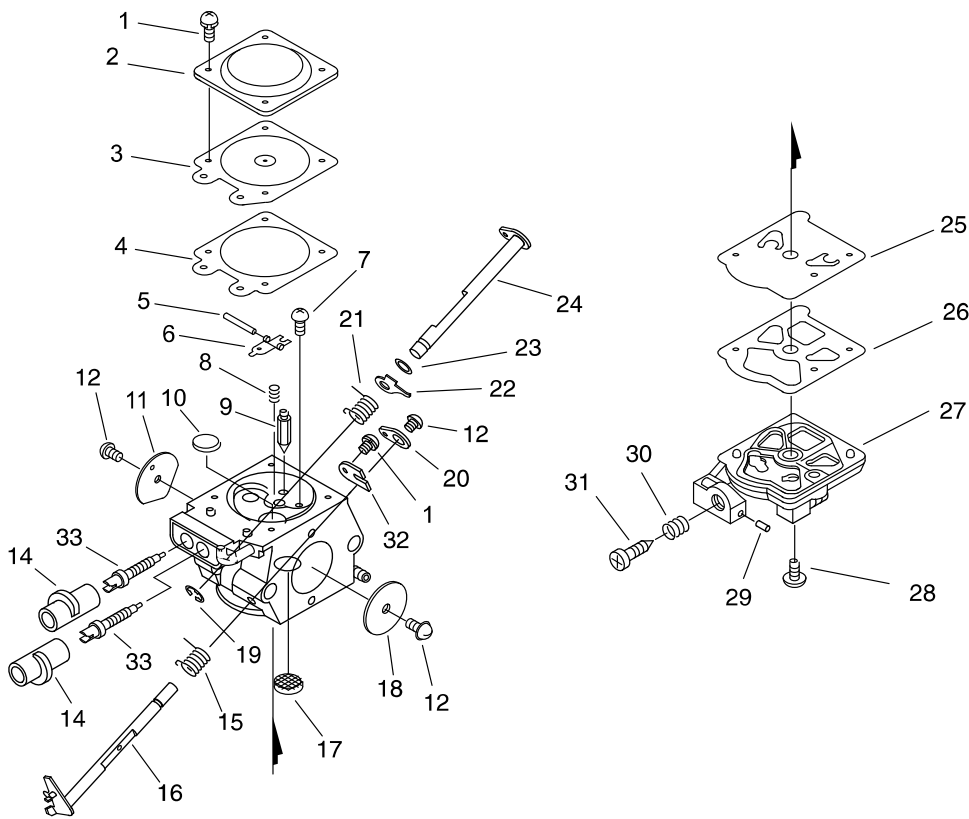
KEY	LV	PART NUMBER	Q'TY	DESCRIPTION	REMARKS
1		C320-000112	1	LEVER, BRAKE	
2		91145-05016	1	BOLT HS TAPPING	
3		V356-000300	1	COLLAR,10	
4		V452-000250	1	SPRING,TORSION	
5		433116-35430	1	SPACER 8	
6		177214-03930	1	WASHER	
7		V202-000070	1	BOLT,4	
8		C305-000012	1	PLATE,SPROCKET GUARD	
9		900220-03006	1	SCREW 3*6	
10		V202-000060	2	BOLT,4	
11		P021-017230	1	BRAKE ASY, CHAIN	
12	+	C345-000360	1	COVER,BRAKE	
13	+	V202-000060	3	BOLT,4	
14	+	433116-35430	1	SPACER 8	
15	+	C334-000090	1	CONNECTOR, BRAKE	
16	+	93050-30098	1	ROLLER	
17	+	C328-000080	1	BAND, BRAKE	
18	+	V376-000450	1	SPACER	
19	+	V450-000070	1	SPRING,COMPRESSION	
20	+	C300-000470	1	GUARD,SPROCKET	
22		A556-000400	1	DRUM, CLUTCH	
23		175012-00831	1	BEARING, NEEDLE	
24		175019-39430	1	PLATE, CLUTCH	
25		A056-000180	1	CLUTCH ASY	
26	+	V451-000500	3	SPRING,TENSION	
27	+	P021-007050	1	CLUTCH SHOE SET	



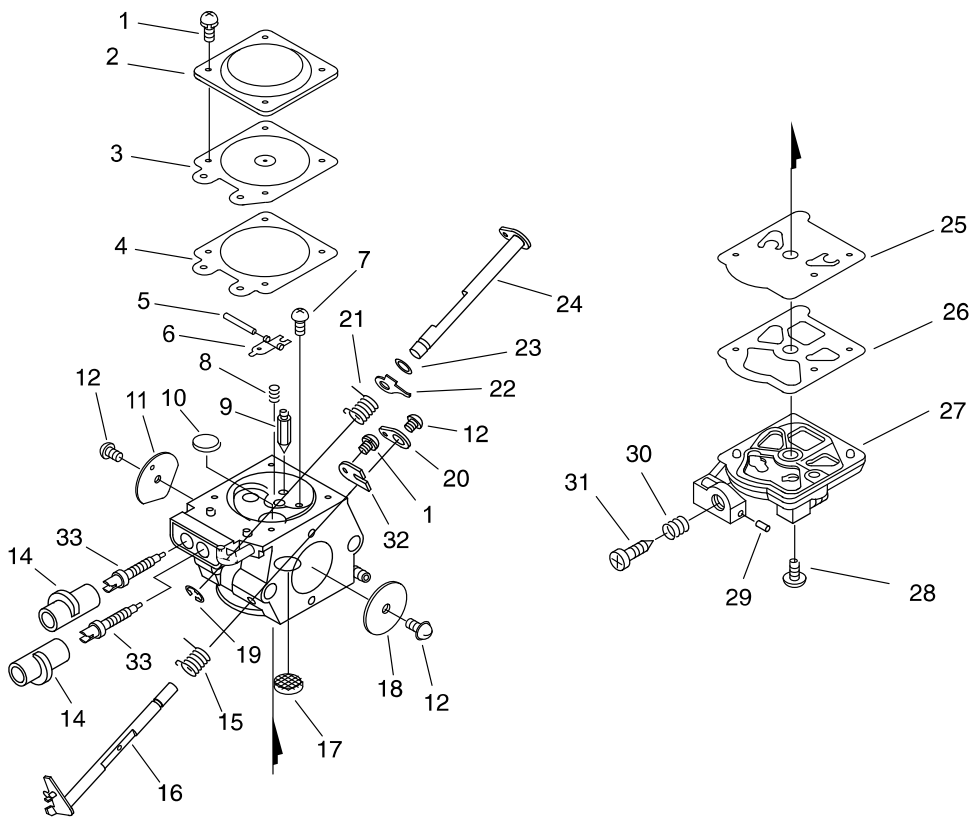
KEY	LV	PART NUMBER	Q'TY	DESCRIPTION	REMARKS
28	+	A552-000070	1	HUB, CLUTCH	
29		433012-39930	1	PLATE, GUIDE	
30		V203-000110	1	BOLT, 5	
31		C309-000030	1	TENSIONER, CHAIN	
32		V355-000270	1	COLLAR, 8	
33		V651-000011	1	GEAR, BEVEL	
34		V651-000001	1	GEAR, BEVEL	
35		X504-000950	1	LABEL, BRAND	
36		433019-12330	2	NUT, FLANGE 8	
38		X124-000210	1	BAR, GUIDE 40	
39		431011-39431	1	CHAIN, SAW 91VX-58E	



KEY	LV	PART NUMBER	Q'TY	DESCRIPTION	REMARKS
1		437210-39931	1	PIPE	
2		P021-010890	1	AUTO-OILER ASY	
3	+	V356-000290	1	COLLAR,10	
4	+	V652-000030	1	GEAR,WORM	
5	+	V308-000030	1	WASHER,CIRCULAR 11	
6	+	C022-000020	1	AUTO-OILER ASSEMBLY	
7		900238-04012	2	SCREW 4*12	
8		132013-26630	2	CLIP	
9		437210-35430	1	PIPE	
10		132115-12330	1	GROMMET	
11		436205-14730	1	STRAINER, OIL	
12		895610-00130	1	L-WRENCH (4MM)	
13		898510-07130	1	BAG, TOOL	
14		X602-000080	1	TOOL,WRENCH	
15		895812-03930	1	DRIVER, SCREW 50	
16		P021-016800	1	SCABBARD,CHAIN	
17	+	A509-000020	1	ROPE	



KEY	LV	PART NUMBER	Q'TY	DESCRIPTION	REMARKS
		A021-001790	1	CARBURETOR,DIAPHRAGM	
1	+	123130-02960	5	SCREW	
2	+	123142-03930	1	COVER, M. DIAPHRAGM	
3	+	123141-03930	1	DIAPHRAGM, METERING	
4	+	123140-03930	1	GASKET, M. DIAPHRAGM	
5	+	123138-03930	1	PIN, METERING LEVER	
6	+	123123-03930	1	LEVER, METERING	
7	+	123139-03930	1	SCREW, M. LEVER PIN	
8	+	123122-39330	1	SPRING, METER. LEVER	
9	+	123137-19830	1	VALVE, INLET NEEDLE	
10	+	123146-10631	1	PLUG, WELCH	
11	+	P003-001790	1	VALVE, CHOKE	
12	+	123114-38830	3	SCREW	
14	+	P003-000010	2	LIMITER CAP	
15	+	123113-37530	1	SPRING, THROTTLE RTN	
16	+	P003-001810	1	SHAFT ASY, THROTTLE	
17	+	123126-10631	1	SCREEN, INLET	
18	+	123116-10530	1	VALVE, THROTTLE	
19	+	123127-15030	1	RING	
20	+	P003-001780	1	LEVER, THROTTLE	
21	+	P003-000140	1	SPRING	
22	+	P003-001510	1	LEVER-FAST IDLE	
23	+	123149-26030	1	WASHER	
24	+	P003-000150	1	CHOKE, SHAFT	
25	+	123112-15030	1	DIAPHRAGM, FUEL PUMP	
26	+	123125-15030	1	GASKET, FUEL PUMP	



KEY	LV	PART NUMBER	Q'TY	DESCRIPTION	REMARKS
27	+	123124-38330	1	COVER, FUEL PUMP	
28	+	123110-03930	1	SCREW, PUMP COVER	
29	+	123178-15030	1	PLUG, FRICTION	
30	+	123133-04260	1	SPRING, IDLE ADJUST	
31	+	123134-04260	1	SCREW, IDLE ADJUST	
32	+	123127-03930	1	CLIP, THROTTLE SHAFT	
33	+	P003-002270	2	NEEDLE	

**Index**

<b>Patrs Number</b>	<b>Key No.</b>	<b>Patrs Number</b>	<b>Key No.</b>	<b>Patrs Number</b>	<b>Key No.</b>
100012-16131	1 - 11	132115-12330	6 - 10	91100-04022	4 - 8
100013-27430	1 - 8	132115-44330	4 - 12	91145-05016	1 - 28
100014-53630	1 - 10	150114-04920	1 - 30	91145-05016	4 - 27
100015-03931	1 - 9	150117-16430	3 - 4	91145-05016	5 - 2
100142-12330	1 - 12	163400-38330	2 - 22	91145-05020	1 - 27
100910-60030	1 - 40	175012-00831	5 - 23	91145-05020	3 - 25
100915-33930	1 - 39	175019-39430	5 - 24	91145-05020	4 - 26
100918-15130	1 - 38	177214-03930	5 - 6	93050-30098	5 - 16
100918-15130	4 - 7	177234-35430	3 - 12	A021-001790	2 - 40
123110-03930	7 - 28	177236-61830	3 - 19	A021-001790	7 -
123112-15030	7 - 25	177247-04630	3 - 13	A051-001450	3 - 18
123113-37530	7 - 15	178810-14534	2 - 23	A056-000180	5 - 25
123114-38830	7 - 12	351111-19830	4 - 11	A101-000110	1 - 7
123116-10530	7 - 18	351134-39930	2 - 20	A160-001220	1 - 22
123122-39330	7 - 8	431011-39431	5 - 39	A172-000572	3 - 17
123123-03930	7 - 6	433011-19830	1 - 34	A202-000060	1 - 2
123124-38330	7 - 27	433012-39930	5 - 29	A209-000000	1 - 25
123125-15030	7 - 26	433019-12330	5 - 36	A232-000540	1 - 18
123126-10631	7 - 17	433116-35430	5 - 5	A235-000000	1 - 16
123127-03930	7 - 32	433116-35430	5 - 14	A241-000200	2 - 24
123127-15030	7 - 19	436114-13930	1 - 33	A300-000620	2 - 29
123130-02960	7 - 1	436205-14730	6 - 11	A310-000060	2 - 27
123133-04260	7 - 30	437210-35430	6 - 9	A313-000760	2 - 26
123134-04260	7 - 31	437210-39931	6 - 1	A365-000050	1 - 37
123137-19830	7 - 9	890157-39130	1 - 44	A365-000050	4 - 23
123138-03930	7 - 5	890345-39230	1 - 46	A409-000272	3 - 10
123139-03930	7 - 7	890631-38130	1 - 24	A411-000264	3 - 6
123140-03930	7 - 4	895610-00130	6 - 12	A425-000000	3 - 1
123141-03930	7 - 3	895812-03930	6 - 15	A426-000010	3 - 2
123142-03930	7 - 2	898510-07130	6 - 13	A427-000013	3 - 3
123146-10631	7 - 10	900162-05020	3 - 9	A439-000430	2 - 15
123149-26030	7 - 23	900162-05022	1 - 5	A500-000421	3 - 24
123178-15030	7 - 29	900162-05030	1 - 41	A506-000080	3 - 21
123181-39130	2 - 18	900220-03006	5 - 9	A507-000021	3 - 28
130007-39932	2 - 2	900220-04008	2 - 25	A509-000020	6 - 17
130020-33330	2 - 3	900238-04012	6 - 7	A514-000050	3 - 14
130300-39730	2 - 9	900238-05014	1 - 1	A552-000070	5 - 28
130301-39935	2 - 10	900238-05020	1 - 21	A556-000400	5 - 22
130338-32430	1 - 19	900238-05050	2 - 11	C022-000020	6 - 6
130405-38332	2 - 8	900253-04014	4 - 1	C300-000470	5 - 20
131205-19831	4 - 15	900253-05020	2 - 12	C304-000010	1 - 26
131300-56430	4 - 18	900345-40030	4 - 6	C305-000012	5 - 8
131328-40630	4 - 19	900515-00008	3 - 11	C309-000030	5 - 31
132010-00760	4 - 13	900516-00005	2 - 28	C310-000000	1 - 29
132012-39931	4 - 21	900600-00005	2 - 13	C320-000112	5 - 1
132013-09820	2 - 6	900603-00005	3 - 15	C328-000080	5 - 17
132013-09820	4 - 14	900720-00022	4 - 24	C334-000090	5 - 15
132013-26630	4 - 20	900721-00025	1 - 36	C345-000360	5 - 12
132013-26630	6 - 8	900888-36201	1 - 15	C400-000430	4 - 25

**Index**

<b>Patrs Number</b>	<b>Key No.</b>	<b>Patrs Number</b>	<b>Key No.</b>	<b>Patrs Number</b>	<b>Key No.</b>
C411-000060	4 - 2	V450-000070	5 - 19		
C450-000212	4 - 4	V451-000500	5 - 26		
C454-000100	2 - 14	V452-000220	3 - 27		
C460-000150	4 - 3	V452-000250	5 - 4		
P003-000010	7 - 14	V452-000260	4 - 5		
P003-000140	7 - 21	V471-001280	2 - 16		
P003-000150	7 - 24	V471-001470	2 - 17		
P003-001510	7 - 22	V471-001600	2 - 5		
P003-001780	7 - 20	V475-003970	4 - 28		
P003-001790	7 - 11	V485-000620	3 - 8		
P003-001810	7 - 16	V485-000680	3 - 7		
P003-002270	7 - 33	V486-000021	2 - 19		
P021-004561	4 - 22	V490-000310	3 - 5		
P021-007050	5 - 27	V505-000010	1 - 14		
P021-007630	1 - 35	V651-000001	5 - 34		
P021-009823	1 - 4	V651-000011	5 - 33		
P021-009830	1 - 6	V652-000030	6 - 4		
P021-010890	6 - 2	X124-000210	5 - 38		
P021-012140	1 - 13	X503-009890	3 - 26		
P021-016780	1 - 31	X504-000950	5 - 35		
P021-016800	6 - 16	X524-001900	1 - 45		
P021-016820	4 - 17	X602-000080	6 - 14		
P021-017230	5 - 11				
P022-005891	3 - 23				
P022-008440	3 - 20				
P022-010440	3 - 22				
V103-000280	2 - 4				
V103-000290	1 - 3				
V104-000731	2 - 30				
V135-000010	1 - 23				
V162-000040	4 - 16				
V202-000060	5 - 10				
V202-000060	5 - 13				
V202-000070	5 - 7				
V203-000090	3 - 16				
V203-000110	5 - 30				
V203-000120	2 - 31				
V308-000030	6 - 5				
V341-000050	1 - 32				
V341-000060	1 - 48				
V341-000070	1 - 47				
V352-000070	4 - 9				
V355-000270	5 - 32				
V356-000290	6 - 3				
V356-000300	5 - 3				
V376-000450	5 - 18				
V400-000051	4 - 10				
V420-001250	1 - 42				
V420-001420	2 - 1				



# **YAMABIKO CORPORATION**

7-2 SUEHIROCHO 1-CHOME, OHME, TOKYO 198-8760, JAPAN  
PHONE: 81-428-32-6118. FAX: 81-428-32-6145.

**shindaiwa<sup>®</sup>**