



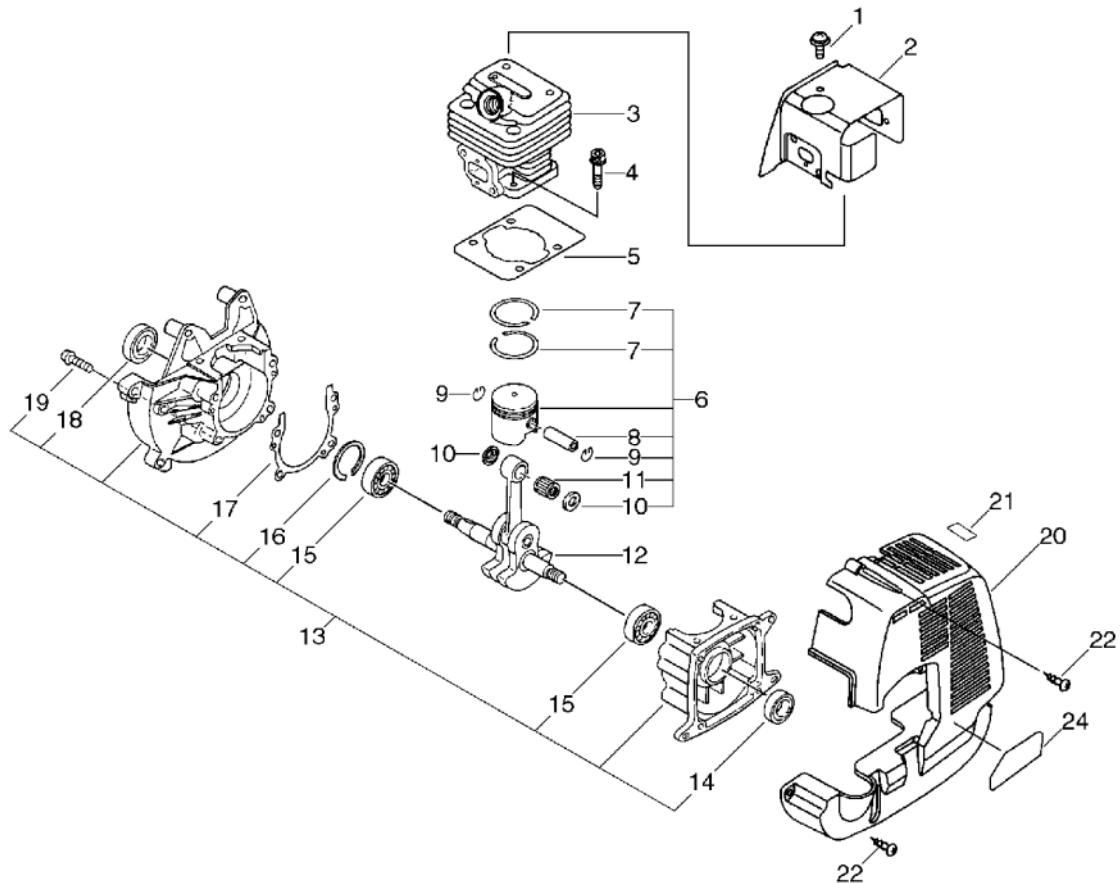
PARTS CATALOGUE

BACKPACK BLOWER

PB-260BSI

1. Cylinder, Crankcase, Piston

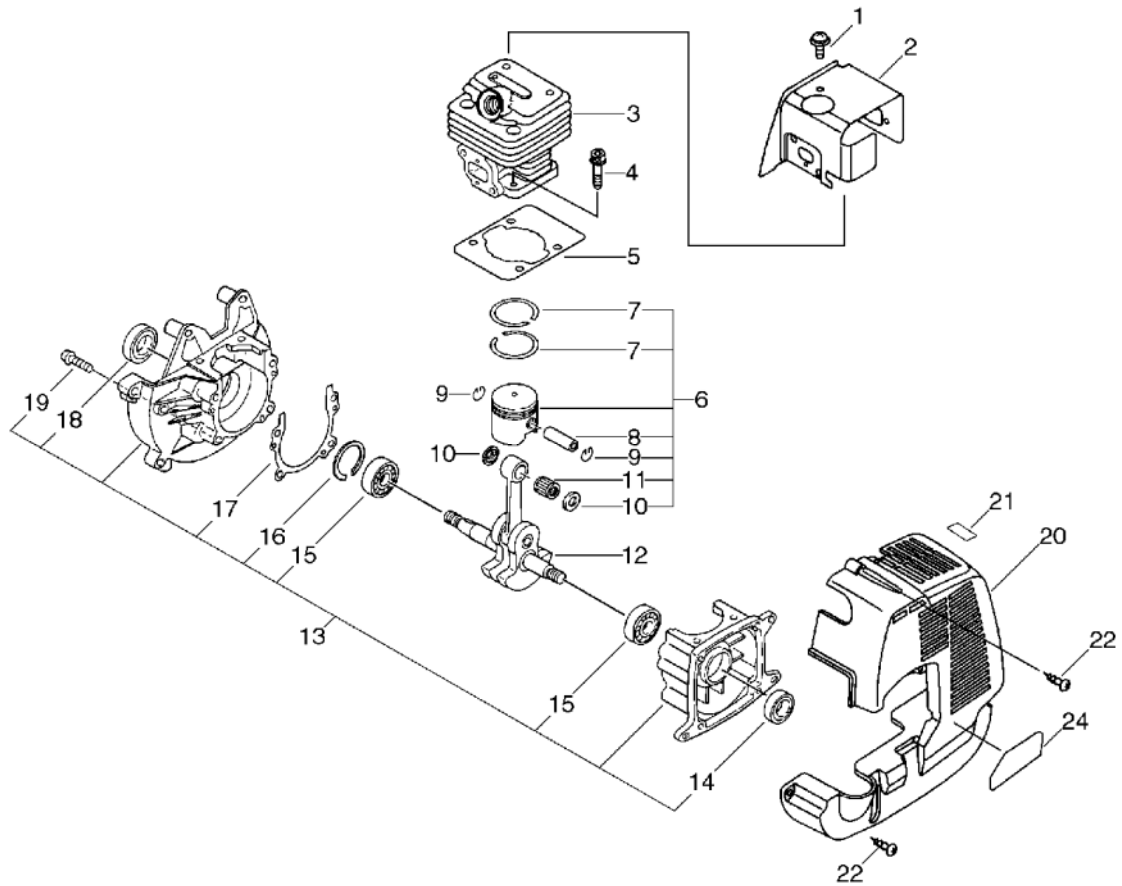
No.1



KEY	LV	PART NUMBER	Q'TY	DESCRIPTION	REMARKS	NOTE1	NOTE2
1		900242-05010	1	SCREW 5*10	5*10		
2		A160-000120	1	COVER,CYLINDER			
3		A130-000122	1	CYLINDER			
4		900162-05022	4	BOLT, H.S. 5*22	5*22 W,SW		
5		V100-000010	1	GASKET,CYL			
6		P021-002360	1	PISTON KIT			
7	+	A101-000010	2	RING,PISTON			
8	+	V606-000000	1	PIN,ENG 8	5*8*28		
9	+	100015-04630	2	CIRCLIP, PISTON PIN			
10	+	100014-55930	2	SPACER, PISTON PIN			
11	+	V553-000020	1	BEARING,NEEDLE 8	KBK8X11X8.8X4		
12		A011-000030	1	CRANKSHAFT,ASM		Sus. by A011-000031	
12		A011-000031	1	CRANKSHAFT,ASM			
13		P021-000940	1	CRANKCASE KIT		Sus. by P021-000941	
13		P021-000941	1	CRANKCASE KIT			
14	+	100213-05530	1	OILSEAL	ISCD 12 22 7		
15	+	900800-36001	2	BEARING, BALL 6001	6001/C3		
16	+	900702-00028	1	CIRCLIP 28	CR-28		
17	+	100242-55930	1	GASKET, CRANKCASE			
18	+	100212-28230	1	OILSEAL ISCD 12*28*7	ISCD 12*28*7		
19	+	900162-05025	4	BOLT, H.S. 5*25	5*25 W,SW		
20		A190-000011	1	COVER,ENGINE			
21		890160-06361	1	LABEL, CAUTION			

1. Cylinder, Crankcase, Piston

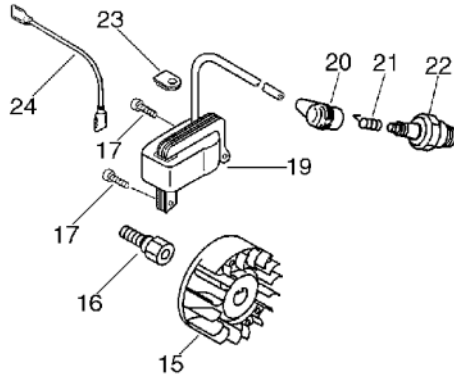
No.1



KEY	LV	PART NUMBER	Q'TY	DESCRIPTION	REMARKS	NOTE1	NOTE2
22		900253-05020	4	SCREW 5*20	5*20		
24		X503-003260	1	LABEL,MODEL	PB-260BSI		

2. Magneto

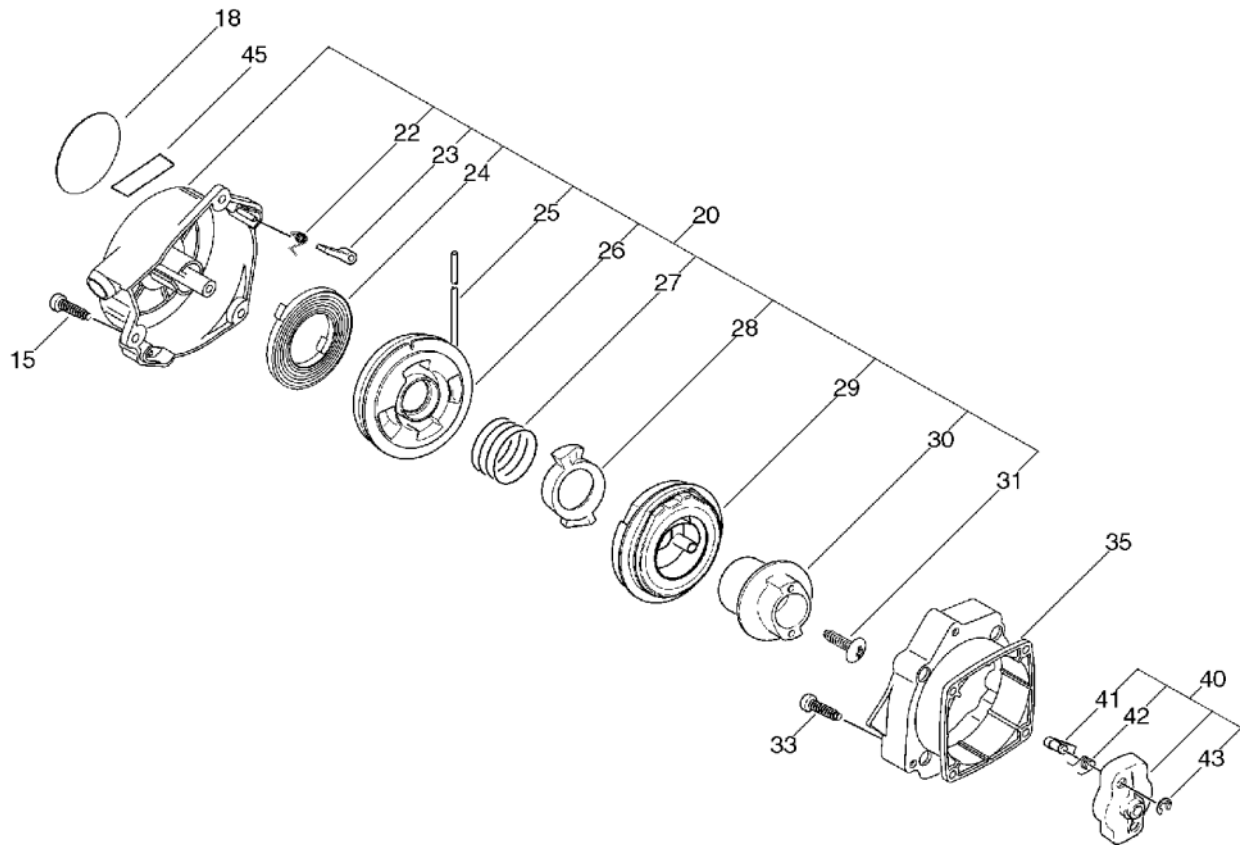
No.2



KEY	LV	PART NUMBER	Q'TY	DESCRIPTION	REMARKS	NOTE1	NOTE2
15		A409-000020	1	ROTOR,MAGNETO			
16		E101-000000	1	HUB,FAN			
17		900162-05016	2	BOLT, H.S. 5*16	5*16 W,SW		
19		A411-000010	1	COIL,IGNITION			
20		159012-03433	1	CAP, SPARK PLUG			
21		159011-03432	1	COIL, SPARK PLUG			
22		159010-10230	1	PLUG, SPARK (BPMR-7A	BPMR-7A		
23		156112-40630	1	GROMMET			
24		V485-000040	1	LEAD			

3. Starter

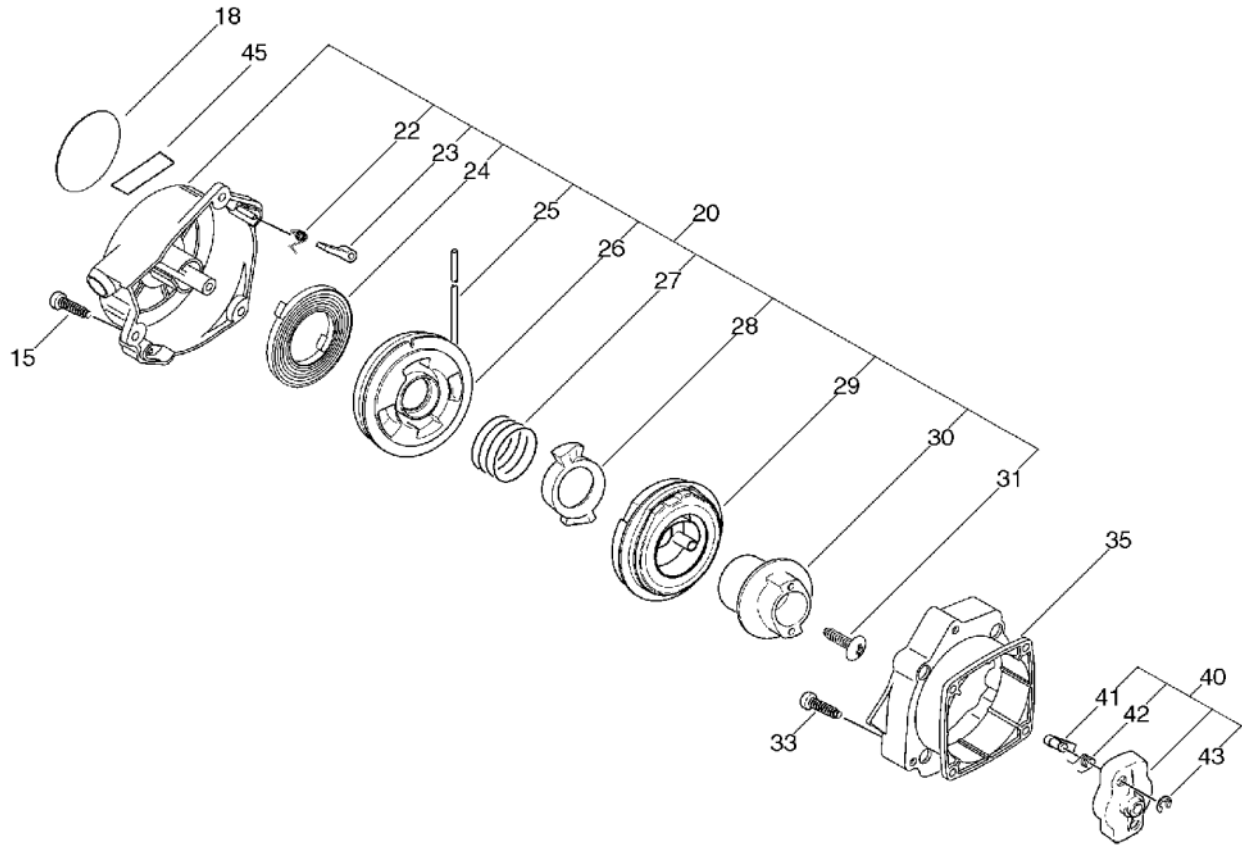
No.3



KEY	LV	PART NUMBER	Q'TY	DESCRIPTION	REMARKS	NOTE1	NOTE2
15		900253-05020	3	SCREW 5*20	5*20		
18		X502-000031	1	LABEL,ECHO		Sus. by X502-000240	
18		X502-000032	1	LABEL,ECHO		Sus. by X502-000240	
18		X502-000240	1	LABEL,ECHO			
20		A051-000300	1	STARTER,RECOIL		Sus. By A051-000301	
20		A051-000301	1	STARTER,RECOIL			
22	+	P022-004610	2	SPRING, RETURN			
23	+	P022-004620	2	PAWL, STARTER			
24	+	P022-004680	1	SPRING, SPIRAL			
25	+	P022-005020	1	ROPE, STARTER			
26	+	P022-004690	1	REEL,ROPE			
27	+	P022-004660	1	SPRING, RETURN			
28	+	P022-004670	1	PAWL, STARTER			
29	+	P022-004700	1	COMPLETE,SPRING			
30	+	P022-004710	1	PLATE,CAM			
31	+	P022-004630	1	SCREW			
33		900163-04016	4	BOLT HSH			
35		V376-000310	1	SPACER			
40		A052-000110	1	PULLEY,ASM STARTER			
41	+	177218-40630	2	PAWL, STARTER	WHITE		
42	+	177234-40630	2	SPRING, RETURN			
43	+	P022-002100	2	E-RING	4		

3. Starter

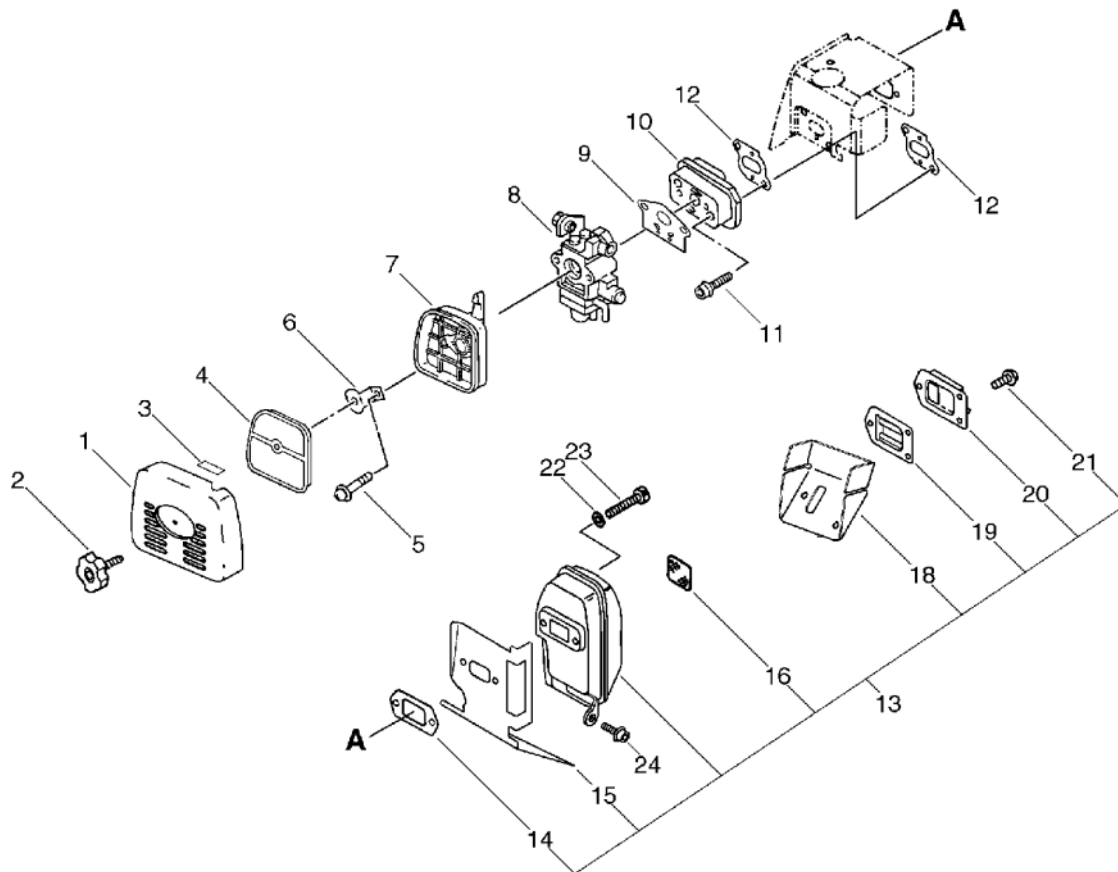
No.3



KEY	LV	PART NUMBER	Q'TY	DESCRIPTION	REMARKS	NOTE1	NOTE2
45		X505-000620	1	LABEL,CAUTION		Next Production	

4. Air Cleaner, Muffler

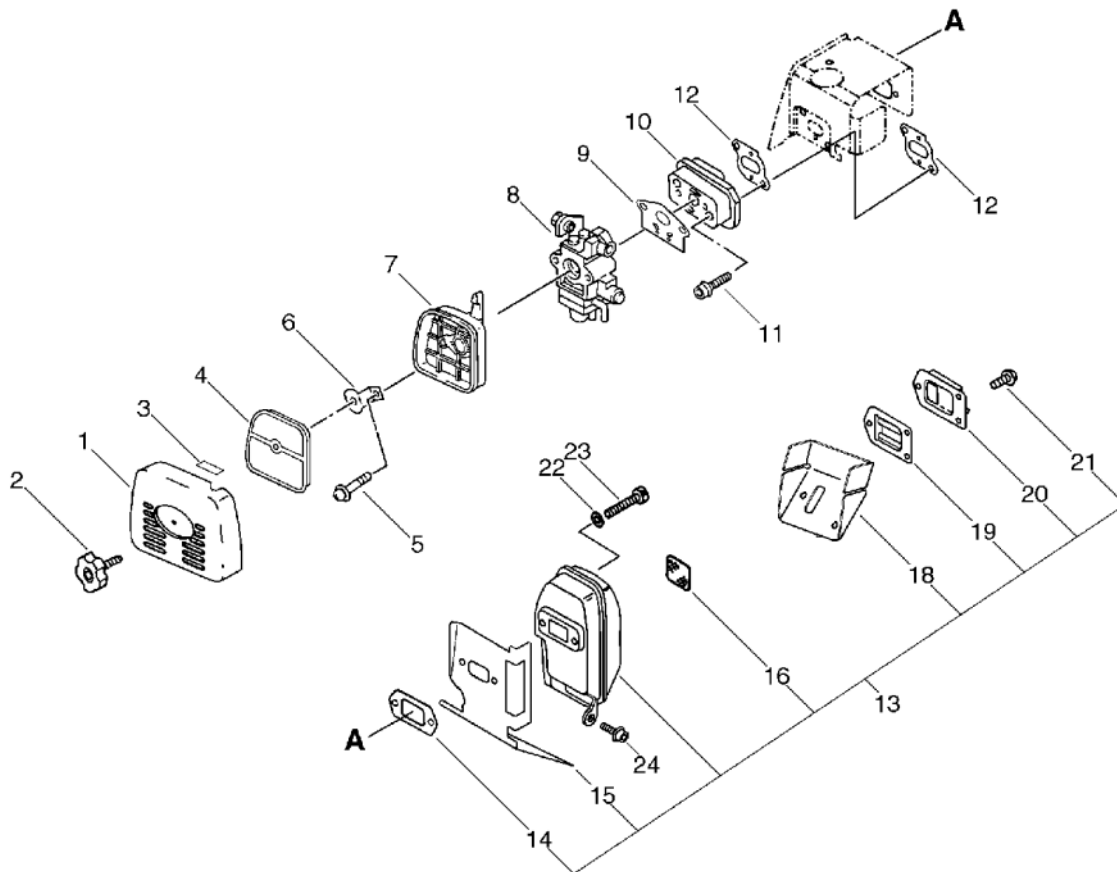
No.4



KEY	LV	PART NUMBER	Q'TY	DESCRIPTION	REMARKS	NOTE1	NOTE2
1		A232-000040	1	LID,CLEANER		Sus. by A232-000041	
1		A232-000041	1	LID,CLEANER			
2		130406-52130	1	KNOB, FASTENER		Sus. by 130406-52131	
2		130406-52131	1	KNOB, FASTENER			
3		890332-52730	1	LABEL, CHOKE			
4		130310-51830	1	FILTER, AIR			
5		900242-05060	2	SCREW 5*60	5*60		
6		129011-57730	1	PLATE, PRVENT		Sus. by 129011-57731	
6		129011-57731	1	PLATE,PRVENT			
7		130307-57730	1	CASE,AIR CLEANER			
8		A021-000121	1	CARBURETOR,DIAPHRAGM	WYJ-257	Sus. by A021-000122	
8		A021-000122	1	CARBURETOR,DIAPHRAGM	WYJ-257A		
9		130010-13410	1	GASKET, INTAKE			
10		A200-000021	1	INSULATOR,INTAKE			
11		900106-05025	2	BOLT, H.S. 5*25	5*25		
12		130010-55930	2	GASKET, INTAKE			
13		P021-001482	1	MUFFLER ASY			
14	+	145510-42032	1	GASKET, MUFFLER			
15	+	V104-000041	1	GASKET,EXHAUST			
16	+	145862-40630	1	SCREEN, MUFFLER			
18	+	V104-000350	1	GASKET,EXHAUST			
19	+	A313-000110	1	GUIDE,EXH			

4. Air Cleaner, Muffler

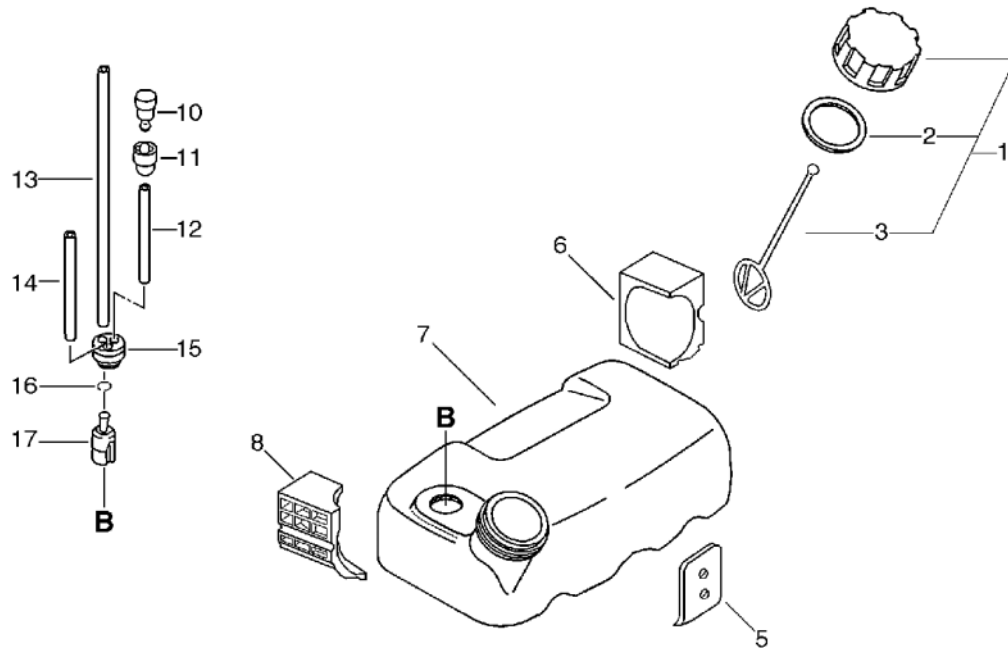
No.4



KEY	LV	PART NUMBER	Q'TY	DESCRIPTION	REMARKS	NOTE1	NOTE2
20	+	A313-000080	1	GUIDE,EXH			
21	+	91367-04010	3	SCREW	4*10/SW(SUS)	Sus. by 900242-04010	
21	+	900242-04010	3	SCREW 4*10	4*10		
22		900600-00005	2	WASHER 5	5		
23		900105-05060	2	BOLT, H.S. 5*60	5*60		
24		900162-05016	1	BOLT, H.S. 5*16	5*16 W,SW		

5. Fuel Tank

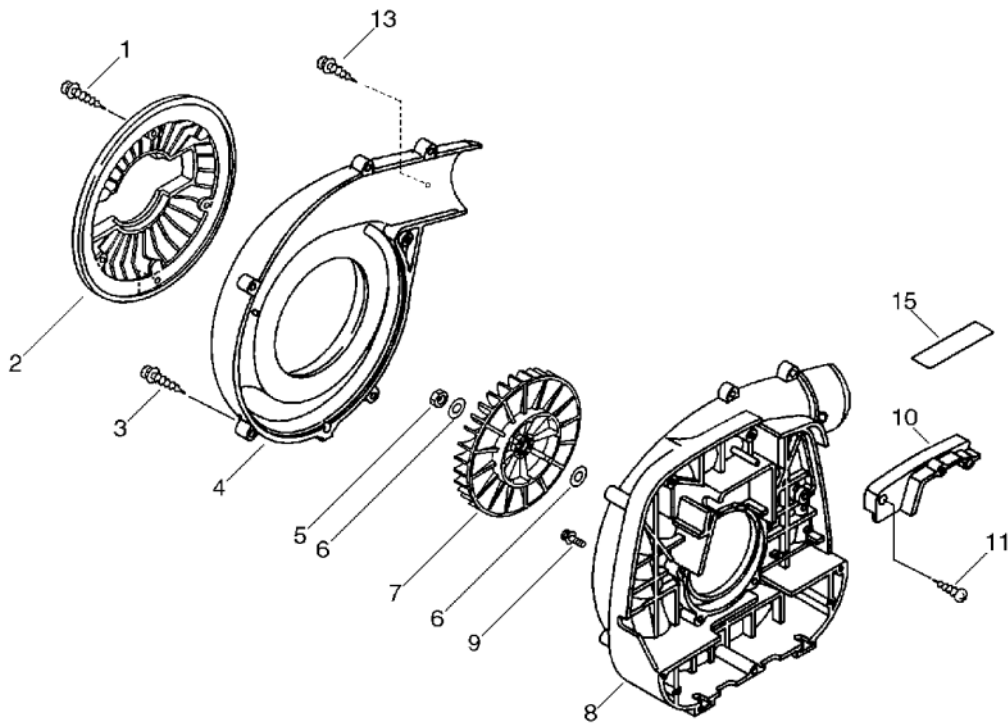
No.5



KEY	LV	PART NUMBER	Q'TY	DESCRIPTION	REMARKS	NOTE1	NOTE2
1		131004-55530	1	CAP ASSY, FUEL TANK			
2	+	131016-55830	1	GASKET, FUEL CAP			
3	+	131051-56030	1	CLIP, FUEL CAP	100L		
5		V420-000390	1	CUSHION	30*42 T8		
6		V420-000280	1	CUSHION			
7		A350-000022	1	TANK,FUEL		Sus. by A350-000023	
7		A350-000023	1	TANK,FUEL			
8		V420-000270	1	CUSHION			
10		131300-56430	1	VALVE, CHECK		Sus. by A356-000030	
10		A356-000030	1	VALVE,CHECK			
11		131328-40630	1	COVER, VENT			
12		437217-20760	1	PIPE 3* 6*100	3*6*100 NBR		
13		437210-15130	1	PIPE, OIL	3*6*200L		
14		132010-14010	1	PIPE 3* 6*100	3*6*100 YL		
15		132115-55930	1	GROMMET, FUEL			
16		132013-26630	1	CLIP	6.5MM		
17		131205-19830	1	STRAINER, FUEL			

6. Fan Case

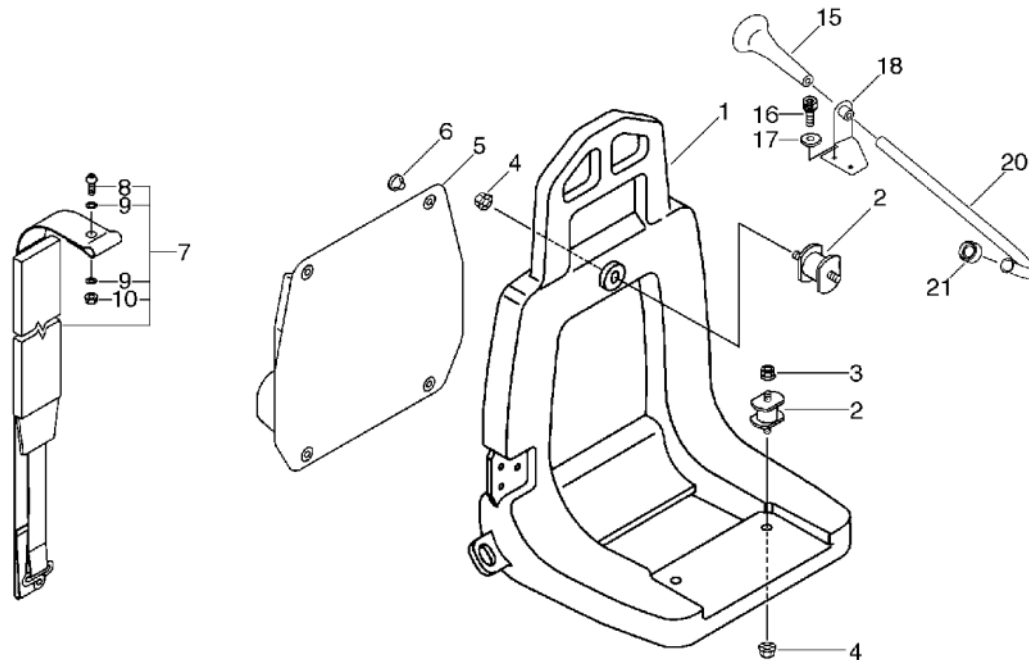
No.6



KEY	LV	PART NUMBER	Q'TY	DESCRIPTION	REMARKS	NOTE1	NOTE2
1		900253-05016	3	SCREW	5*16		
2		200124-09560	1	GRID, FAN CASE			
3		900253-05020	6	SCREW 5*20	5*20		
4		E103-000050	1	CASE,FAN			
5		900500-00008	1	NUT 8	8*P1.25		
6		100132-05660	2	WASHER	8.2*30*3.0		
7		E100-000020	1	FAN,BLOWER			
8		E103-000040	1	CASE,FAN			
9		900242-05020	4	SCREW 5*20	5*20		
10		E109-000000	1	LID,FANCASE			
11		900253-05016	2	SCREW	5*16		
13		900256-05010	1	SCREW, TAPPING			
15		890160-09461	1	LABEL, CAUTION			

7. Harness

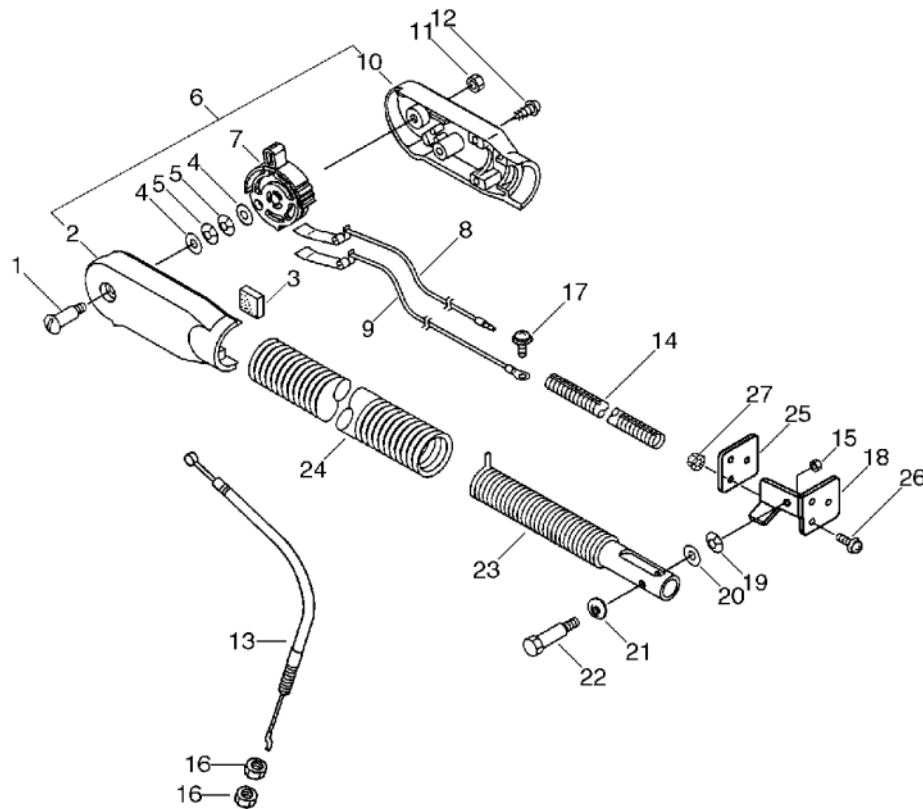
No.7



KEY	LV	PART NUMBER	Q'TY	DESCRIPTION	REMARKS	NOTE1	NOTE2
1		C620-000051	1	FRAME, BACKPACK			
2		104910-11410	3	CUSHION			
3		900515-00006	2	NUT, FLANGE 6	6		
4		250916-06210	3	NUT			
5		300105-08260	1	CUSHION, KNAPSACK	BL	Sus. by 300105-08261	
5		300105-08261	1	CUSHION, KNAPSACK			
6		300333-06160	4	CLIP		Sus. by V491-000120	
6		V491-000120	4	CLIP			
7		P021-001760	1	HARNESS, KNAPSACK		Sus. by P021-001761	
7		P021-001761	1	HARNESS, KNAPSACK			
8	+	91540-05014	2	SCREW, TRUSS			
9	+	300217-00610	4	WASHER			
10	+	900516-00005	2	NUT, FRANGE 5	5		
15		A511-000020	1	GRIP, STARTER			
16		900105-05012	2	BOLT, H.S. 5*12	5*12		
17		613019-07350	2	WASHER 5.5*16*2T	5.5*16*2T		
18		V152-000900	1	PLATE, ANGLE			
20		A510-000020	1	GUIDE, ROPE			
21		V420-000630	1	CUSHION			

8. Hip Throttle

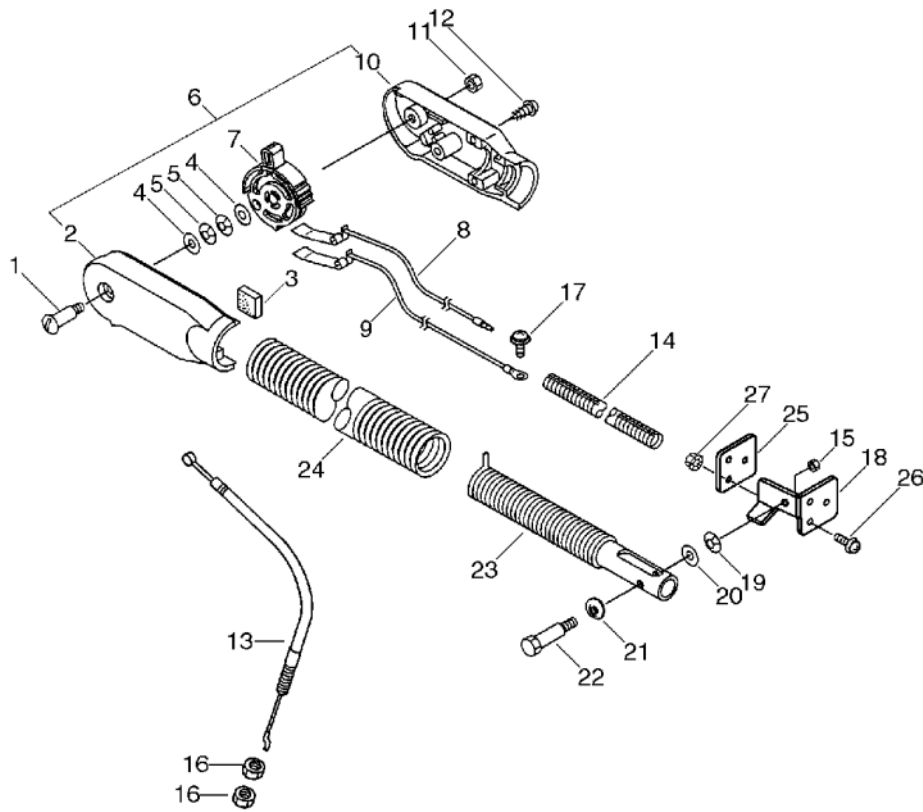
No.8



KEY	LV	PART NUMBER	Q'TY	DESCRIPTION	REMARKS	NOTE1	NOTE2
1		604030-21060	1	SCREW 4			
3		104293-21060	1	PAD, FOAM	16*16*6T		
4		699118-04560	2	WASHER			
5		178160-21060	2	WASHER, FRICTION	6.6*14.3		
6		P021-003010	1	FIXTURE,TRIGGER SET			
2	+	C471-000050	1	FIXTURE,TRIGGER			
10	+	C471-000060	1	FIXTURE,TRIGGER			
7		C453-000020	1	LEVER,THROTTLE		Sus. by C453-000021	
7		C453-000021	1	LEVER,THROTTLE			
8		V485-000060	1	LEAD			
9		V485-000122	1	LEAD	660.00 MM W/TERM		
11		900560-00004	1	LOCKNUT	4		
12		889950-21060	3	SCREW 5			
13		V430-000120	1	CABLE,BOWDEN			
14		162023-21061	1	TUBE			
15		900030-10008	1	NUT 1/4-20	1/4-20		
16		900502-00006	2	NUT 6 (3N)	3N6		
17		900238-05010	1	SCREW 5*10	5*10		
18		C625-000000	1	FIXTURE,B.FRAME			
19		701017-21060	1	WASHER		Sus. by 701017-21061	
19		701017-21061	1	WASHER			
20		694029-21060	1	WASHER			
21		178129-21060	1	WASHER, WAVE			

8. Hip Throttle

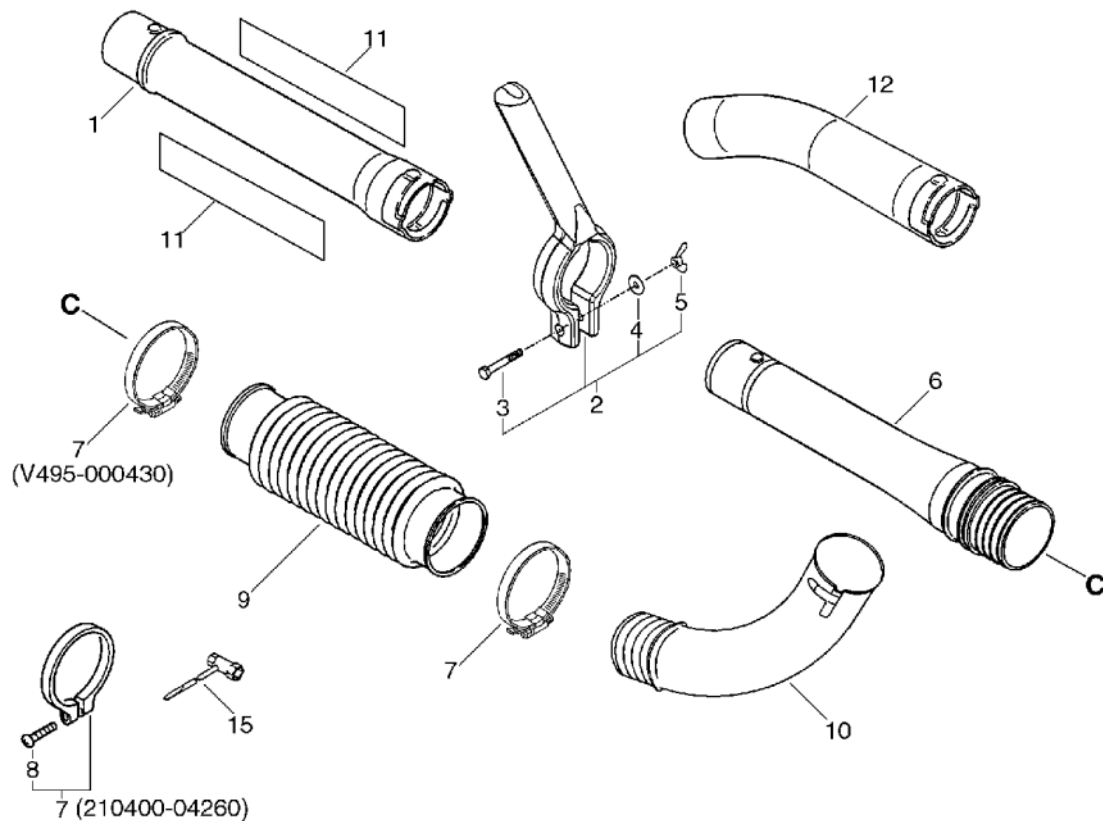
No.8



KEY	LV	PART NUMBER	Q'TY	DESCRIPTION	REMARKS	NOTE1	NOTE2
22		432617-21060	1	BOLT 6			
23		V475-000920	1	TUBE			
24		V475-000910	1	TUBE			
25		C625-000010	1	FIXTURE,B.FRAME			
26		900238-05016	3	SCREW 5*16	5*16		
27		900516-00005	3	NUT, FRANGE 5	5		

9. Blower Pipe, Tool

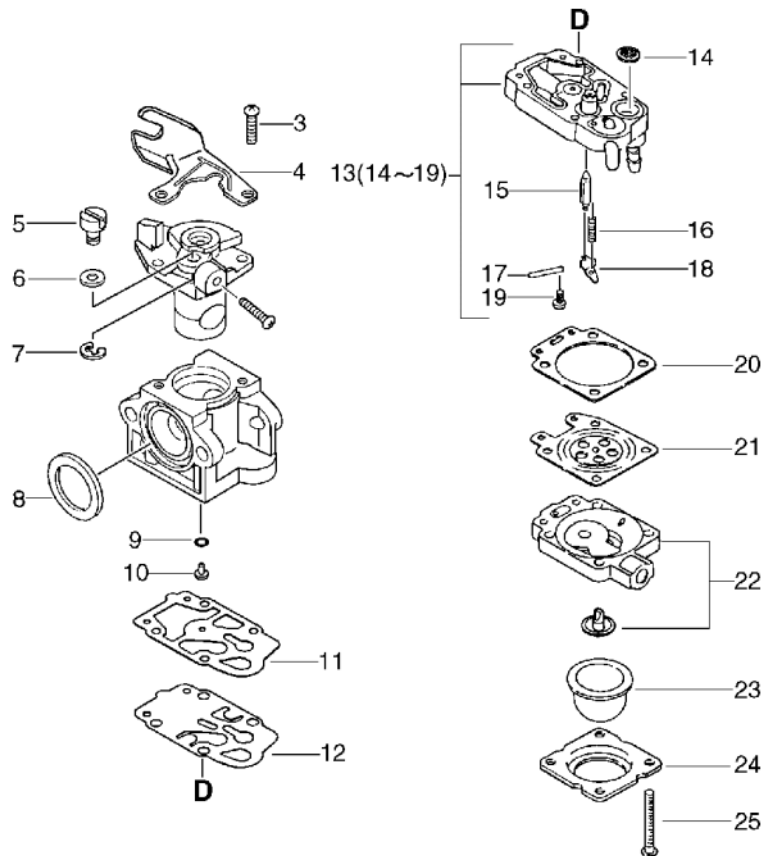
No.9



KEY	LV	PART NUMBER	Q'TY	DESCRIPTION	REMARKS	NOTE1	NOTE2
1		210015-03460	1	PIPE, STRAIGHT (BL)			
2		351300-09860	1	HANDLE ASY(PB-2) BL			
3	+	900100-06045	1	BOLT 6*45	6*45		
4	+	900600-00006	1	WASHER 6	6		
5	+	900525-00006	1	NUT, WING 6	BN6		
6		212005-07560	1	PIPE, BLOWER			
7		210400-04260	2	CLAMP W/SCREW		Sus. by V495-000430	
7		V495-000430	2	BAND	58.7MM / 82.5MM		
8	+	900235-05025	2	SCREW 5*25	5*25	Can be used on 210400-04260 only	
9		E164-000000	1	PIPE, FLEXIBLE			
10		E160-000041	1	PIPE, MAIN			
11		890118-04261	2	LABEL, ECHO		Sus. by 890118-04262	
11		890118-04262	2	LABEL, ECHO	194*44		
12		210023-03460	1	PIPE, CURVED (BL)			
15		895410-00430	1	WRENCH, W/S. DRIVER			

10. Carburetor

No.10



KEY	LV	PART NUMBER	Q'TY	DESCRIPTION	REMARKS	NOTE1	NOTE2
		A021-000121	1	CARBURETOR,DIAPHRAGM	WYJ-257	Sus. by A021-000122	
		A021-000122	1	CARBURETOR,DIAPHRAGM	WYJ-257A		
3	+	123114-40630	2	SCREW			
4	+	P003-000180	1	BRACKET CABLE			
5	+	123172-45130	1	SWIVEL			
6	+	123149-54230	1	WASHER			
7	+	123173-07930	1	CLIP			
8	+	123143-12110	1	RING, PACKING			
9	+	123183-40630	1	O-RING			
10	+	P003-000460	1	JET			
11	+	P003-000100	1	GASKET, PUMP			
12	+	123112-40630	1	DIAPHRAGM, PUMP			
13	+	P003-000440	1	BODY ASY, PUMP			
14	++	123126-10631	1	SCREEN, INLET			
15	++	123137-19830	1	VALVE, INLET NEEDLE			
16	++	P003-000450	1	SPRING, METER. LEVER			
17	++	123138-03930	1	PIN, METERING LEVER			
18	++	123123-03930	1	LEVER, METERING			
19	++	123139-05560	1	SCREW, M. LEVER PIN			
20	+	123140-05560	1	GASKET, M. DIAPHRAGM			
21	+	P003-000090	1	METERING, DIAPHRAGM			
22	+	123180-05560	1	BODY, AIR PURGE			
23	+	123181-40630	1	PUMP, PRIMER			
24	+	123142-05560	1	COVER, PRIMER PUMP			
25	+	123110-05560	4	SCREW, PUMP COVER			

11. Repair Kit

KEY	LV	PART NUMBER	Q'TY	DESCRIPTION	REMARKS	NOTE1	NOTE2
		P003-000200	1	DIAPHRAGM/GASKET KIT	WYJ-250		
10-8	+	123143-12110	1	RING, PACKING			
10-11	+	P003-000100	1	GASKET, PUMP			
10-12	+	123112-40630	1	DIAPHRAGM, PUMP			
10-20	+	123140-05560	1	GASKET, M. DIAPHRAGM			
	+	123125-40630	1	GASKET, PUMP			
	+	123140-02960	1	GASKET, M. DIAPHRAGM			
	+	123141-03930	1	DIAPHRAGM, METERING			
	+	123159-40630	1	GASKET, PLATE			
		P003-000190	1	REPAIR KIT	WYJ-250		
10-8	+	123143-12110	1	RING, PACKING			
10-11	+	P003-000100	1	GASKET, PUMP			
10-12	+	123112-40630	1	DIAPHRAGM, PUMP			
10-14	+	123126-10631	1	SCREEN, INLET			
10-15	+	123137-19830	1	VALVE, INLET NEEDLE			
10-18	+	123123-03930	1	LEVER, METERING			
10-20	+	123140-05560	1	GASKET, M. DIAPHRAGM			
	+	123125-40630	1	GASKET, PUMP			
	+	123140-02960	1	GASKET, M. DIAPHRAGM			
	+	123141-03930	1	DIAPHRAGM, METERING			
	+	123159-40630	1	GASKET, PLATE			

Index

Patrs Number	Key No.	Patrs Number	Key No.	Patrs Number	Key No.
100014-55930	1 - 10	130406-52131	4 - 2	900100-06045	9 - 3
100015-04630	1 - 9	131004-55530	5 - 1	900105-05012	7 - 16
100132-05660	6 - 6	131016-55830	5 - 2	900105-05060	4 - 23
100212-28230	1 - 18	131051-56030	5 - 3	900106-05025	4 - 11
100213-05530	1 - 14	131205-19830	5 - 17	900162-05016	2 - 17
100242-55930	1 - 17	131300-56430	5 - 10	900162-05016	4 - 24
104293-21060	8 - 3	131328-40630	5 - 11	900162-05022	1 - 4
104910-11410	7 - 2	132010-14010	5 - 14	900162-05025	1 - 19
123110-05560	10 - 25	132013-26630	5 - 16	900163-04016	3 - 33
123112-40630	10 - 12	132115-55930	5 - 15	900235-05025	9 - 8
123112-40630	11 - 10-12	145510-42032	4 - 14	900238-05010	8 - 17
123112-40630	11 - 10-12	145862-40630	4 - 16	900238-05016	8 - 26
123114-40630	10 - 3	156112-40630	2 - 23	900242-04010	4 - 21
123123-03930	10 - 18	159010-10230	2 - 22	900242-05010	1 - 1
123123-03930	11 - 10-18	159011-03432	2 - 21	900242-05020	6 - 9
123125-40630	11 -	159012-03433	2 - 20	900242-05060	4 - 5
123125-40630	11 -	162023-21061	8 - 14	900253-05016	6 - 1
123126-10631	10 - 14	177218-40630	3 - 41	900253-05016	6 - 11
123126-10631	11 - 10-14	177234-40630	3 - 42	900253-05020	1 - 22
123137-19830	10 - 15	178129-21060	8 - 21	900253-05020	3 - 15
123137-19830	11 - 10-15	178160-21060	8 - 5	900253-05020	6 - 3
123138-03930	10 - 17	200124-09560	6 - 2	900256-05010	6 - 13
123139-05560	10 - 19	210015-03460	9 - 1	900500-00008	6 - 5
123140-02960	11 -	210023-03460	9 - 12	900502-00006	8 - 16
123140-02960	11 -	210400-04260	9 - 7	900515-00006	7 - 3
123140-05560	10 - 20	212005-07560	9 - 6	900516-00005	7 - 10
123140-05560	11 - 10-20	250916-06210	7 - 4	900516-00005	8 - 27
123140-05560	11 - 10-20	300105-08260	7 - 5	900525-00006	9 - 5
123141-03930	11 -	300105-08261	7 - 5	900560-00004	8 - 11
123141-03930	11 -	300217-00610	7 - 9	900600-00005	4 - 22
123142-05560	10 - 24	300333-06160	7 - 6	900600-00006	9 - 4
123143-12110	10 - 8	351300-09860	9 - 2	900702-00028	1 - 16
123143-12110	11 - 10-8	432617-21060	8 - 22	900800-36001	1 - 15
123143-12110	11 - 10-8	437210-15130	5 - 13	91367-04010	4 - 21
123149-54230	10 - 6	437217-20760	5 - 12	91540-05014	7 - 8
123159-40630	11 -	604030-21060	8 - 1	A011-000030	1 - 12
123159-40630	11 -	613019-07350	7 - 17	A011-000031	1 - 12
123172-45130	10 - 5	694029-21060	8 - 20	A021-000121	10 -
123173-07930	10 - 7	699118-04560	8 - 4	A021-000121	4 - 8
123180-05560	10 - 22	701017-21060	8 - 19	A021-000122	10 -
123181-40630	10 - 23	701017-21061	8 - 19	A021-000122	4 - 8
123183-40630	10 - 9	889950-21060	8 - 12	A051-000300	3 - 20
129011-57730	4 - 6	890118-04261	9 - 11	A051-000301	3 - 20
129011-57731	4 - 6	890118-04262	9 - 11	A052-000110	3 - 40
130010-13410	4 - 9	890160-06361	1 - 21	A101-000010	1 - 7
130010-55930	4 - 12	890160-09461	6 - 15	A130-000122	1 - 3
130307-57730	4 - 7	890332-52730	4 - 3	A160-000120	1 - 2
130310-51830	4 - 4	895410-00430	9 - 15	A190-000011	1 - 20
130406-52130	4 - 2	900030-10008	8 - 15	A200-000021	4 - 10

Index

Patrs Number	Key No.	Patrs Number	Key No.	Patrs Number	Key No.
A232-000040	4 - 1	P022-004690	3 - 26		
A232-000041	4 - 1	P022-004700	3 - 29		
A313-000080	4 - 20	P022-004710	3 - 30		
A313-000110	4 - 19	P022-005020	3 - 25		
A350-000022	5 - 7	V100-000010	1 - 5		
A350-000023	5 - 7	V104-000041	4 - 15		
A356-000030	5 - 10	V104-000350	4 - 18		
A409-000020	2 - 15	V152-000900	7 - 18		
A411-000010	2 - 19	V376-000310	3 - 35		
A510-000020	7 - 20	V420-000270	5 - 8		
A511-000020	7 - 15	V420-000280	5 - 6		
C453-000020	8 - 7	V420-000390	5 - 5		
C453-000021	8 - 7	V420-000630	7 - 21		
C471-000050	8 - 2	V430-000120	8 - 13		
C471-000060	8 - 10	V475-000910	8 - 24		
C620-000051	7 - 1	V475-000920	8 - 23		
C625-000000	8 - 18	V485-000040	2 - 24		
C625-000010	8 - 25	V485-000060	8 - 8		
E100-000020	6 - 7	V485-000122	8 - 9		
E101-000000	2 - 16	V491-000120	7 - 6		
E103-000040	6 - 8	V495-000430	9 - 7		
E103-000050	6 - 4	V553-000020	1 - 11		
E109-000000	6 - 10	V606-000000	1 - 8		
E160-000041	9 - 10	X502-000031	3 - 18		
E164-000000	9 - 9	X502-000032	3 - 18		
P003-000090	10 - 21	X502-000240	3 - 18		
P003-000100	10 - 11	X503-003260	1 - 24		
P003-000100	11 - 10-11	X505-000620	3 - 45		
P003-000100	11 - 10-11				
P003-000180	10 - 4				
P003-000190	11 -				
P003-000200	11 -				
P003-000440	10 - 13				
P003-000450	10 - 16				
P003-000460	10 - 10				
P021-000940	1 - 13				
P021-000941	1 - 13				
P021-001482	4 - 13				
P021-001760	7 - 7				
P021-001761	7 - 7				
P021-002360	1 - 6				
P021-003010	8 - 6				
P022-002100	3 - 43				
P022-004610	3 - 22				
P022-004620	3 - 23				
P022-004630	3 - 31				
P022-004660	3 - 27				
P022-004670	3 - 28				
P022-004680	3 - 24				

YAMABIKO CORPORATION

7-2 SUEHIROCHO 1-CHOME, OHME, TOKYO 198-8760, JAPAN
PHONE: 81-428-32-6118. FAX: 81-428-32-6145.



OBSI
No.