

# MTA-PS

Serial Number

U66440000000-U66440999999

Last updated date

17/Jan/2023

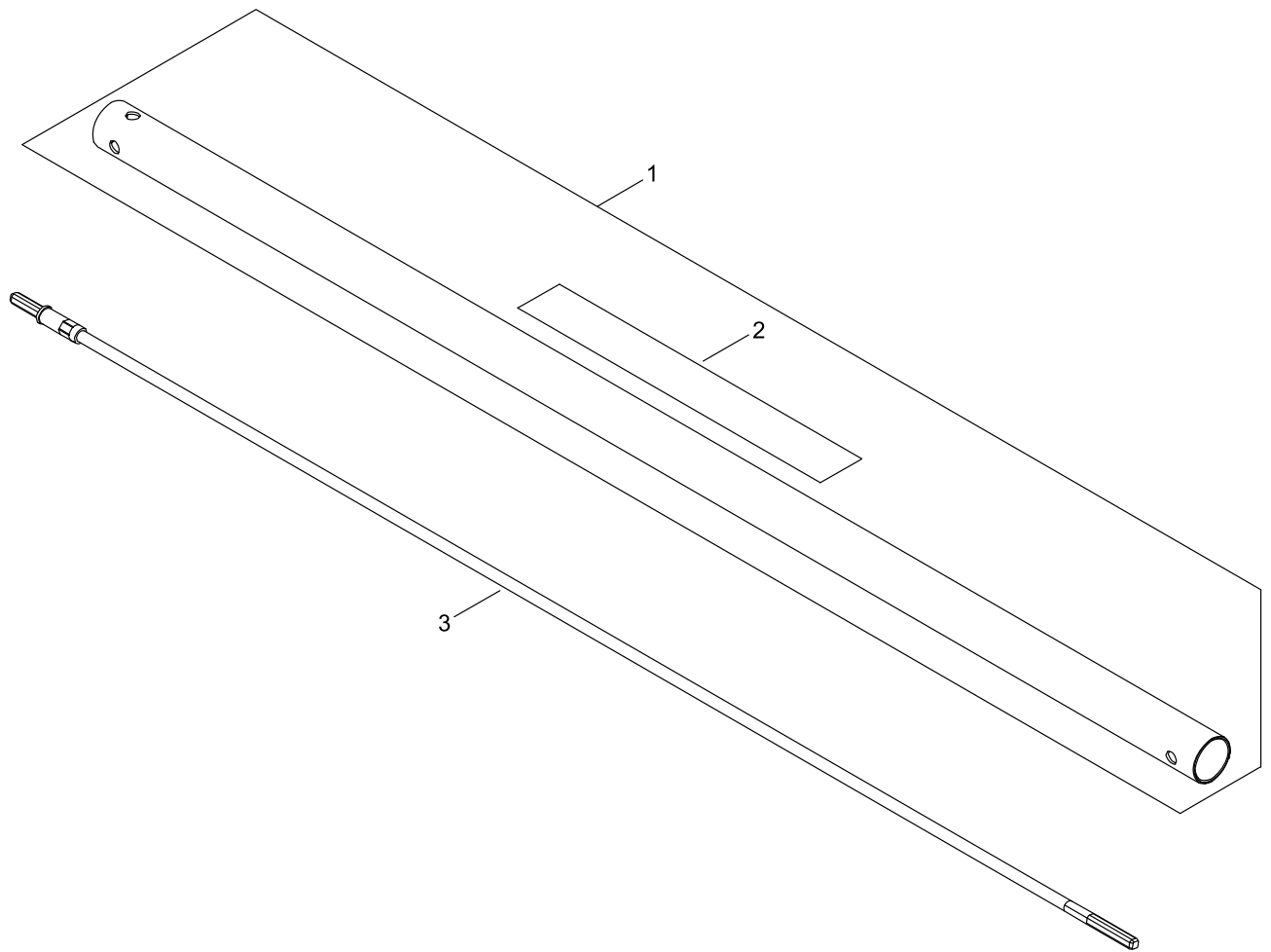


## TABLE OF CONTENTS

---

MAIN PIPE .....	1
GEAR CASE .....	3
BRUSH.....	5
ACCESSORIES .....	7

# MAIN PIPE



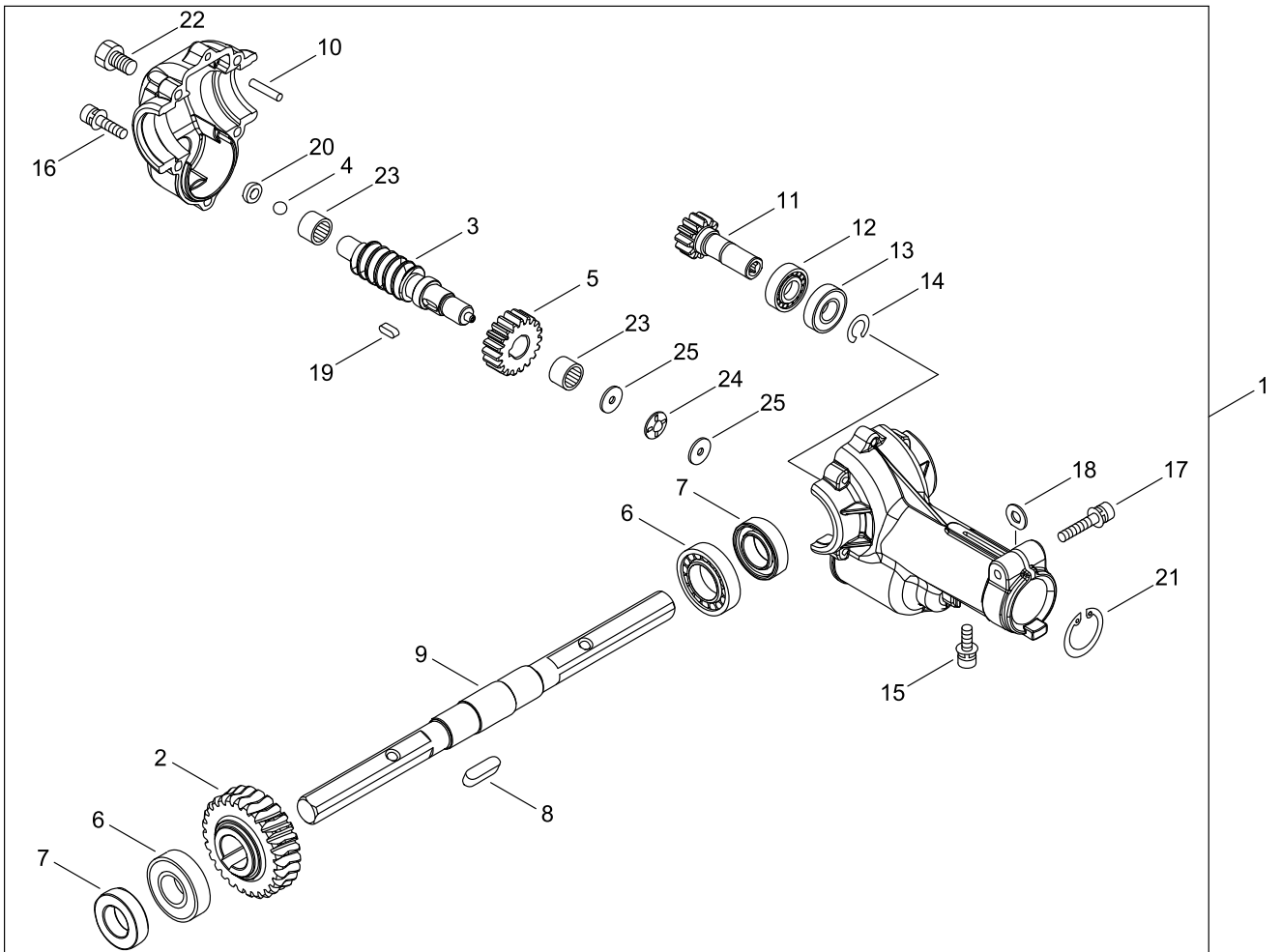
## MAIN PIPE

Key No.	LV (+)	Parts Number	Parts Description	Qty	Standard	Class
1		P100-010670	MAIN PIPE ASY	1		C
2	+	890160-25560	LABEL, CAUTION	1		D
3		C506-000760	SHAFT, FLEXIBLE	1	751.84MM	

Class : Consumable class

A:Fast moving parts B:Semi-fast moving parts C:Slow moving parts D:Order only as needed

# GEAR CASE



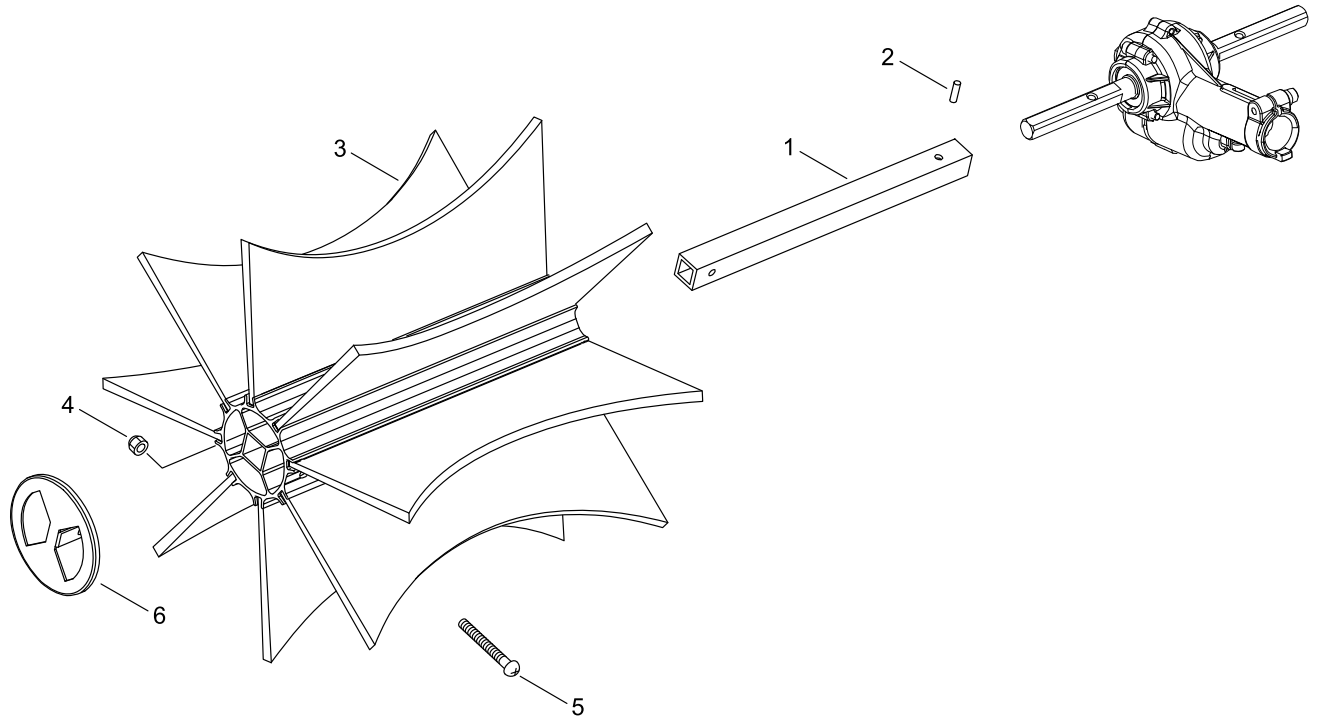
## GEAR CASE

Key No.	LV (+)	Parts Number	Parts Description	Qty	Standard	Class
1		C051-000301	CASE,GEAR	1	SWEEP/THATCH	C
2	+	V653-000000	GEAR,WORM WHEEL	1	RIGHT HAND	C
3	+	V652-000060	GEAR,WORM	1	RIGHT HANDED	B
4	+	V585-000030	BALL	1	1/4	C
5	+	V650-000380	GEAR,SPUR	1	19 TOOTH	C
6	+	94003-06003	BEARING, BALL	2	6003Z	
7	+	605416-11050	OILSEAL	2		C
8	+	V381-000000	KEY,WOODRUFF	1	6 X 6 X 22	C
9	+	C534-000490	SHAFT, GEAR	1	250MM LNG	D
10	+	V622-000030	PIN,STRAIGHT 4	1	4*20MM	C
11	+	V650-000370	GEAR,SPUR	1	12 TOOTH	C
12	+	900855-06901	BEARING, BALL	1	6901	
13	+	900857-06901	BEARING, BALL	1	6901LLU(DDU)	
14	+	900706-00012	RETAINING RING	1	WR-12	
15	+	900162-05012	BOLT HSH	1	5*12	
16	+	900162-05020	BOLT HSH	5	5*20	
17	+	900162-06030	BOLT HSH	1	6*30	
18	+	V340-000220	WASHER	1	6.5*6.75*1.2T	C
19	+	V381-000010	KEY,WOODRUFF	1	4 X 4 X 10	C
20	+	V376-001040	SPACER	1	10.60 OD	C
21	+	610335-21460	CIRCLIP	1		C
22	+	900100-08010	BOLT	1	8*10	
23	+	V555-000060	BEARING,NEEDLE 10	2	10X14X10	B
24	+	V590-000010	BEARING,THRUST	1	AXK0414-TV	C
25	+	V340-000230	WASHER	2	REF. AXK0414-TV	C

Class : Consumable class

A:Fast moving parts B:Semi-fast moving parts C:Slow moving parts D:Order only as needed

# BRUSH





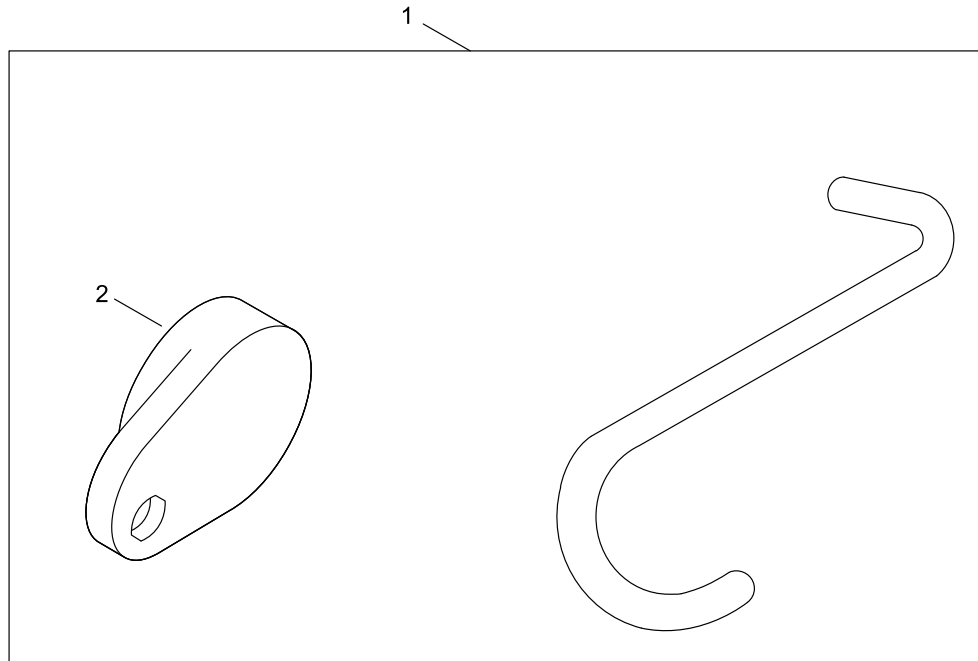
## BRUSH

Key No.	LV (+)	Parts Number	Parts Description	Qty	Standard	Class
1		C517-000070	COUPLING, SHAFT	2		D
2		404523-25560	PIN, STRAIGHT	2		C
3		250202-25662	BRUSH	2		D
4		900560-00005	NUT, LOCK	2	5	
5		900220-05030	SCREW	2	5*30	
6		250230-25561	CAP, HOLDER	2		C

Class : Consumable class

A:Fast moving parts B:Semi-fast moving parts C:Slow moving parts D:Order only as needed

# ACCESSORIES



## ACCESSORIES

Key No.	LV (+)	Parts Number	Parts Description	Qty	Standard	Class
1		P021-047620	CAP KIT	1		
2	+	C525-000012	CAP,MAIN PIPE	1	25MM PIPE	D

Class : Consumable class

A:Fast moving parts B:Semi-fast moving parts C:Slow moving parts D:Order only as needed

# NUMERICAL PARTS INDEX

Part No	Part description	Page
250202-25662	BRUSH	6
250230-25561	CAP,HOLDER	6
404523-25560	PIN,STRAIGHT	6
605416-11050	OILSEAL	4
610335-21460	CIRCLIP	4
890160-25560	LABEL, CAUTION	2
900100-08010	BOLT	4
900162-05012	BOLT HSH	4
900162-05020	BOLT HSH	4
900162-06030	BOLT HSH	4
900220-05030	SCREW	6
900560-00005	NUT, LOCK	6
900706-00012	RETAINING RING	4
900855-06901	BEARING, BALL	4
900857-06901	BEARING, BALL	4
94003-06003	BEARING, BALL	4
C051-000301	CASE,GEAR	4
C506-000760	SHAFT, FLEXIBLE	2
C517-000070	COUPLING, SHAFT	6
C525-000012	CAP,MAIN PIPE	8
C534-000490	SHAFT, GEAR	4
P021-047620	CAP KIT	8
P100-010670	MAIN PIPE ASY	2
V340-000220	WASHER	4
V340-000230	WASHER	4
V376-001040	SPACER	4
V381-000000	KEY,WOODRUFF	4
V381-000010	KEY,WOODRUFF	4
V555-000060	BEARING,NEEDLE 10	4
V585-000030	BALL	4
V590-000010	BEARING,THRUST	4
V622-000030	PIN,STRAIGHT 4	4
V650-000370	GEAR,SPUR	4
V650-000380	GEAR,SPUR	4
V652-000060	GEAR,WORM	4
V653-000000	GEAR,WORM WHEEL	4