

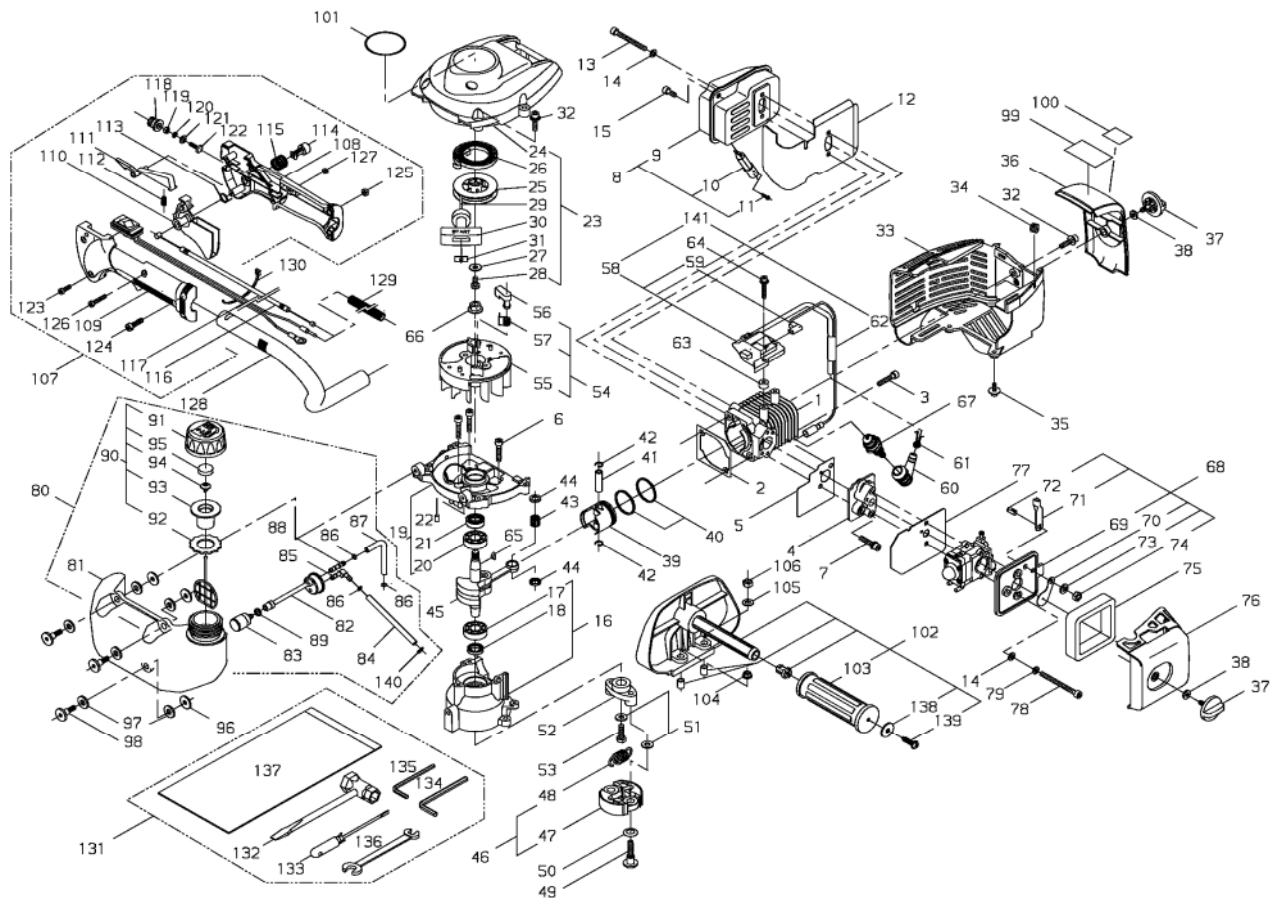
shindaiwa[®]

PARTS CATALOGUE

HEDGE TRIMMER

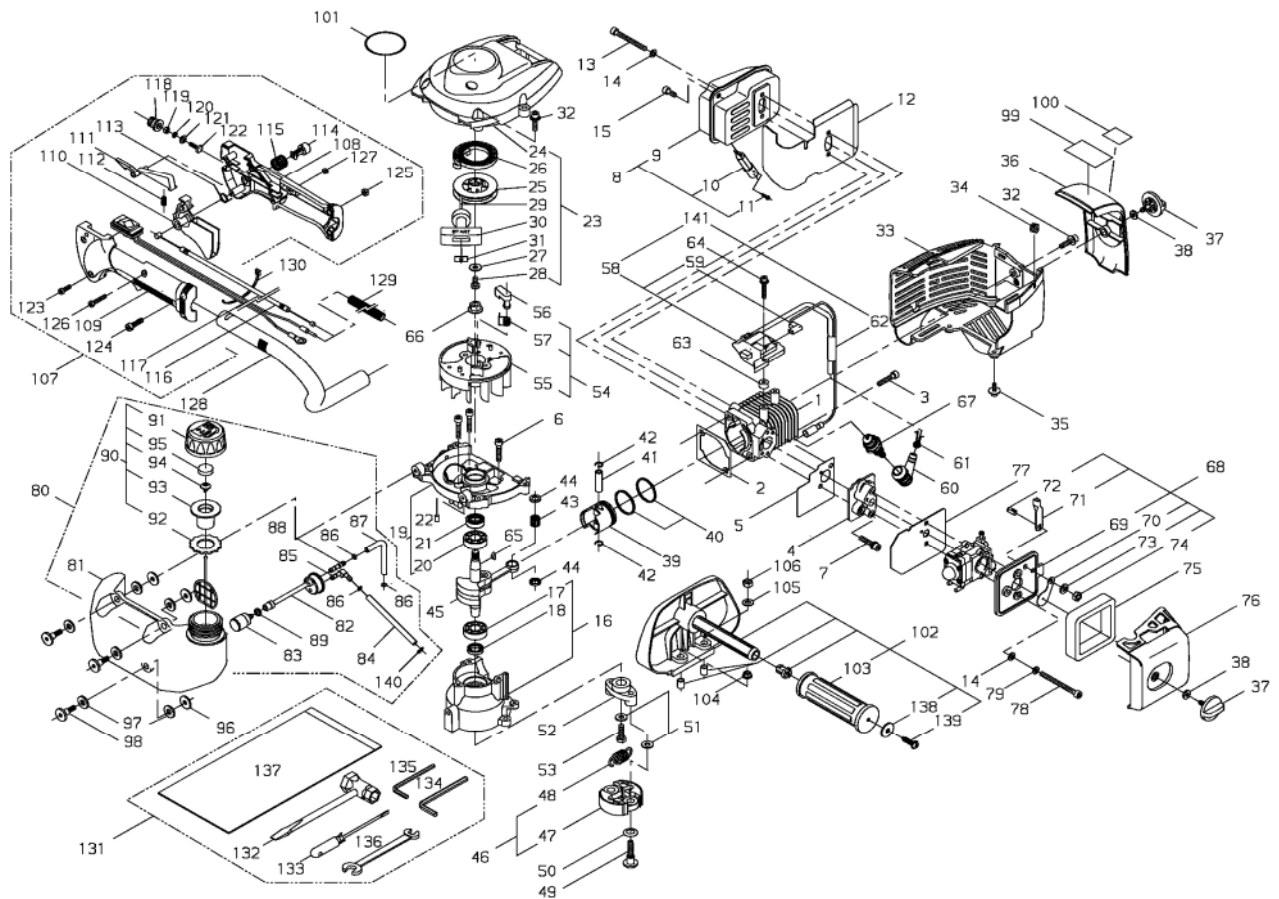
HT230 EC1-30

1. ENGINE



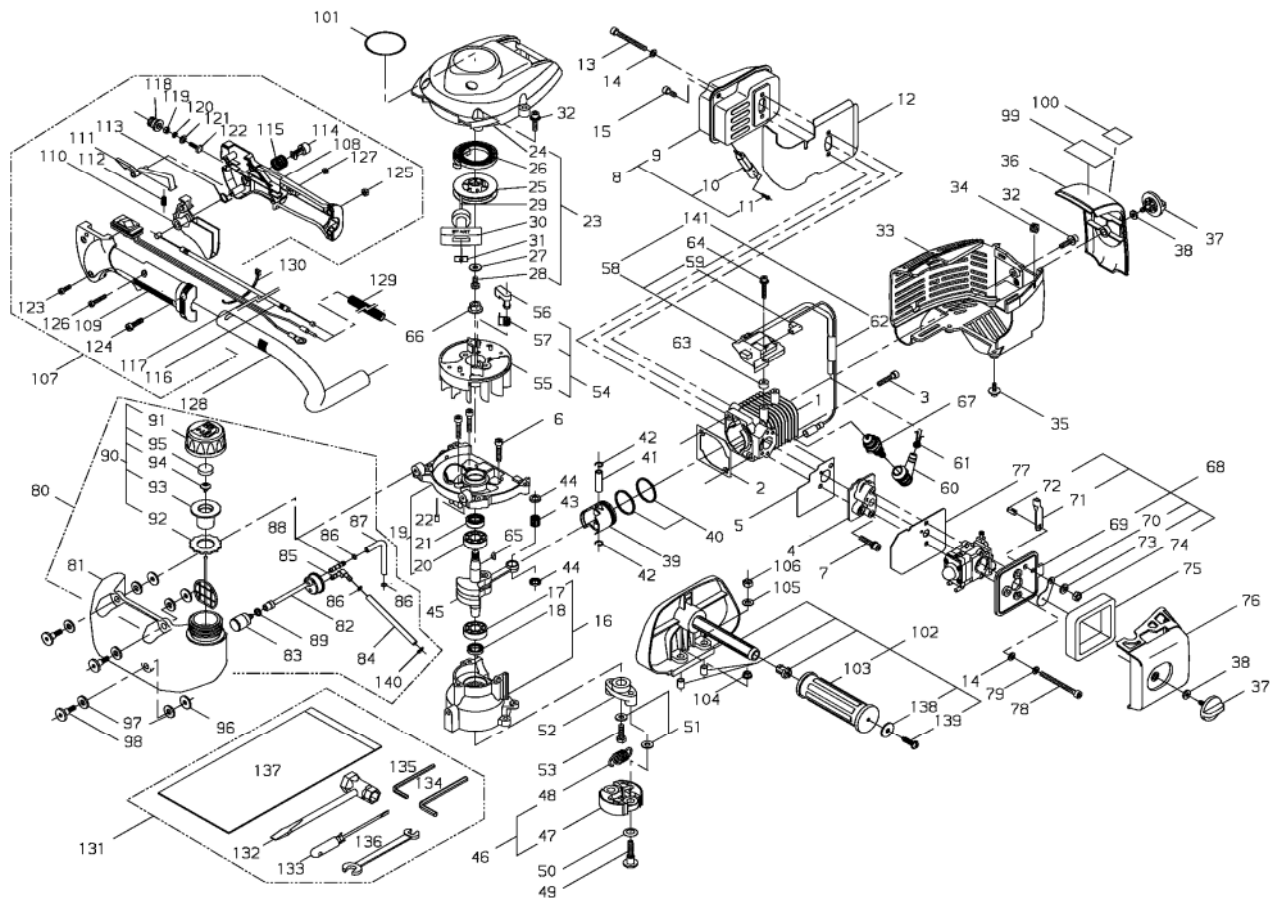
KEY	LV	PART NUMBER	Q'TY	DESCRIPTION	REMARKS	NOTE1	NOTE2
1		62809-12111	1	CYLINDER			
2		20870-12121	1	GASKET			
3		01020-05250	5	BOLT		M5x25	
4		20016-12213	1	INSULATOR			
5		20870-12220	1	GASKET			
7		11022-05300	2	BOLT SW		M5x30	
8		70871-15100	1	MUFFLER SUB ASSY			
9		70871-15110	1	MUFFLER			
10		70871-15120	1	SPARK ARRESTER			
11		01270-03062	1	SCREW TAPPING			
12		20870-15122	1	GASKET			
13		01020-05500	2	BOLT		M5x50	
14		01610-05080	4	WASHER		φ5	
15		01020-05120	1	BOLT	M5*12	M5x12	
16		20870-21100	1	CRANK CASE PTO COMP			
17		12900-60010	1	BALL BEARING		6001	
18		22150-21250	1	SEAL,OIL			
19		20870-21301	1	CRANK CASE M.COMP			
20		12900-60010	1	BALL BEARING		6001	
21		20000-21211	1	OIL SEAL			
22		12492-40080	2	ROLLER			
23		20870-31102	1	FAN COVER SUB ASSY			
24		20870-31112	1	FAN COVER			
25		70030-75120	5	REEL			
26		70030-75130	1	RECOIL SPRING			
27		70030-75140	1	WASHER			

1. ENGINE



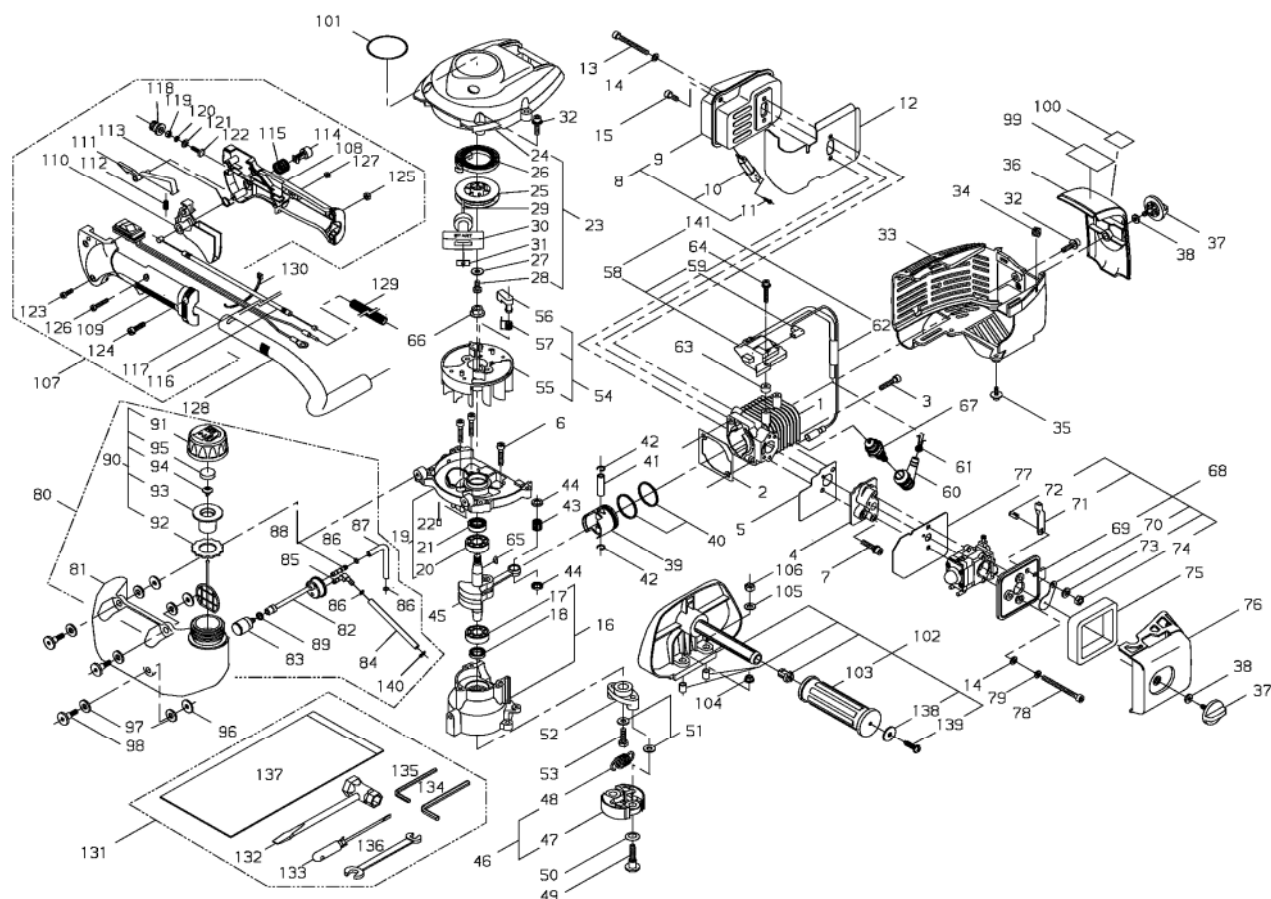
KEY	LV	PART NUMBER	Q'TY	DESCRIPTION	REMARKS	NOTE1	NOTE2
28	•	20035-75170	1	SCREW			
29	•	70030-75160	1	ROPE			
30	•	20010-75190	1	STARTER KNOB			
31	•	20010-75210	1	STOPPER			
32		11060-05202	5	BOLT ADHESIVE		M5x20	
33		20870-32111	1	CYLINDER COVER			
34		20011-72120	1	GROMMET			
35		11060-04163	2	BOLT		M4x16	
36		20870-33111	1	COVER			
37		20870-33120	2	KNOB			
38		23627-21220	2	COLLAR		φ5	
39		20075-41110	1	PISTON			
40		20000-41210	2	PISTON RING			
41		20075-41310	1	PISTON PIN			
42		70030-41320	2	RING,END			
43		37013-41230	1	NEEDLE BEARING			
44		37013-41240	2	THRUST WASHER			
45		20870-42101	1	CRANK SHAFT COMP			
46		70140-51012	1	CLUTCH SHOE SUB ASSY			
47	•	70140-51113	2	CLUTCH SHOE			
48	•	37013-51310	1	COIL SPRING			
49		20087-51210	2	BOLT		M6	
50		20087-51231	2	SPRING PLATE			
51		22100-71430	3	WASHER		φ6	
52		20870-51211	1	CLUTCH BOSS			
53		20870-51220	1	BOLT		M6x18	

1. ENGINE



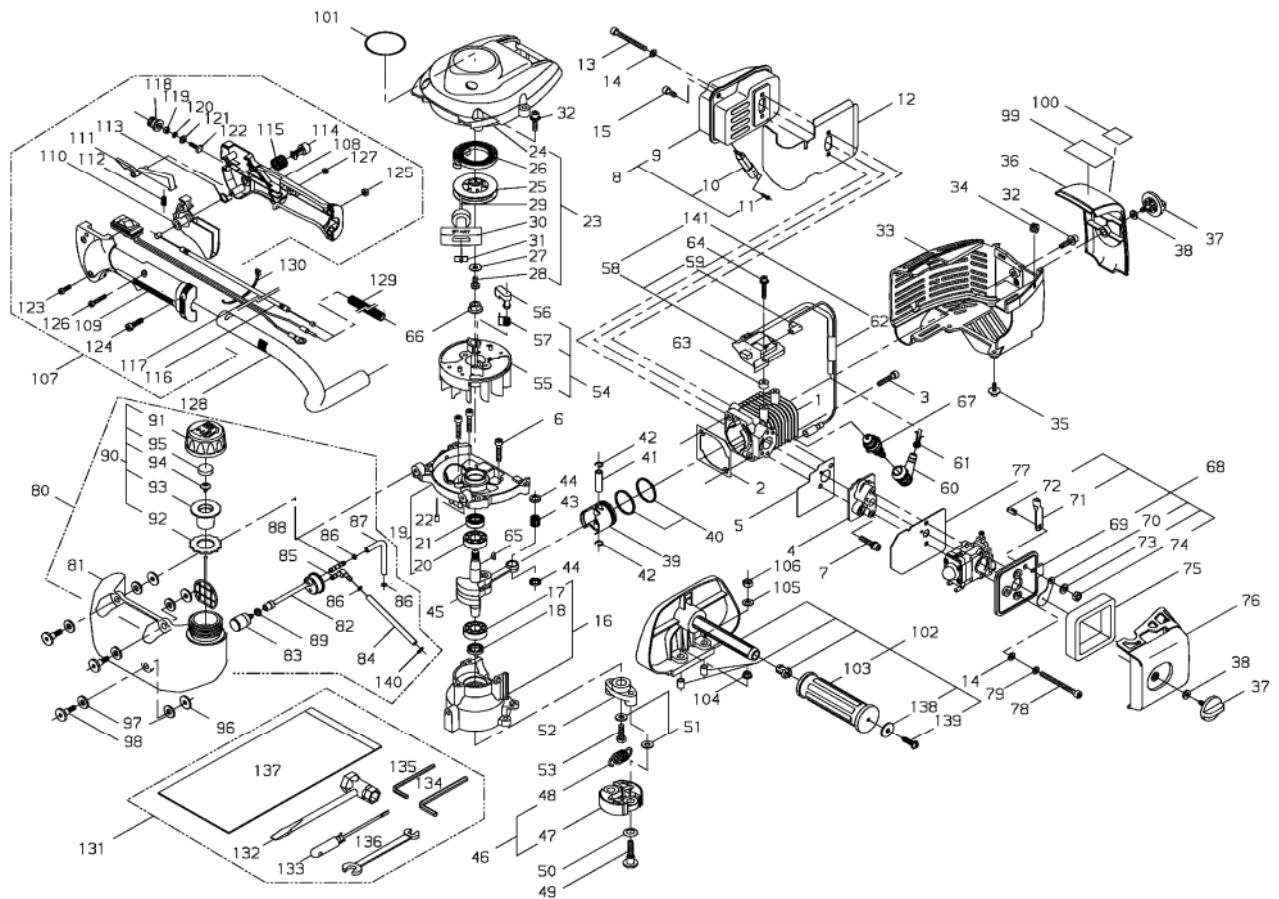
KEY	LV	PART NUMBER	Q'TY	DESCRIPTION	REMARKS	NOTE1	NOTE2
54		20870-71100	1	ROTOR SUB ASSY			
55	▪	20870-71110	1	ROTOR			
56	▪	20870-71120	1	RATCHET			
57	▪	20870-71130	1	COIL SPRING			
58	▪	20870-71202	1	COIL SUB ASSY			
59	▪ ▪	20870-71222	1	CORD			
60		22160-72220	1	PLUG CAP			
61		20000-72230	1	SPRING SPARK PLUG			
62	▪	20016-71651	1	TUBE		φ8	
63		70030-71620	2	INSULATOR			
64		11024-04261	2	BOLT		M4x26	
65		02403-03100	1	KEY	3*10		
66		20035-71220	1	NUT		M8	
67		13000-13406	1	SPARK PLUG BMR6A		BMR6A	
68		20870-82100	1	CLEANER BODY			
69	▪	20870-82111	1	CLEANER BODY			
70	▪	20115-82120	1	CHOKE PLATE			
71	▪	20870-82120	1	CHOKE LEVER			
72	▪	20110-82140	1	CHOKE SHAFT			
73	▪	01600-06151	1	SPRING WASHER			
74	▪	11524-06211	1	U NUT			
75		20870-82210	1	FILTER			
76		20870-82312	1	CLEANER COVER			
77		20870-82411	1	GASKET			
78		01020-05550	2	BOLT		M5x55	
79		01600-05131	2	SPRING WASHER		φ5	

1. ENGINE



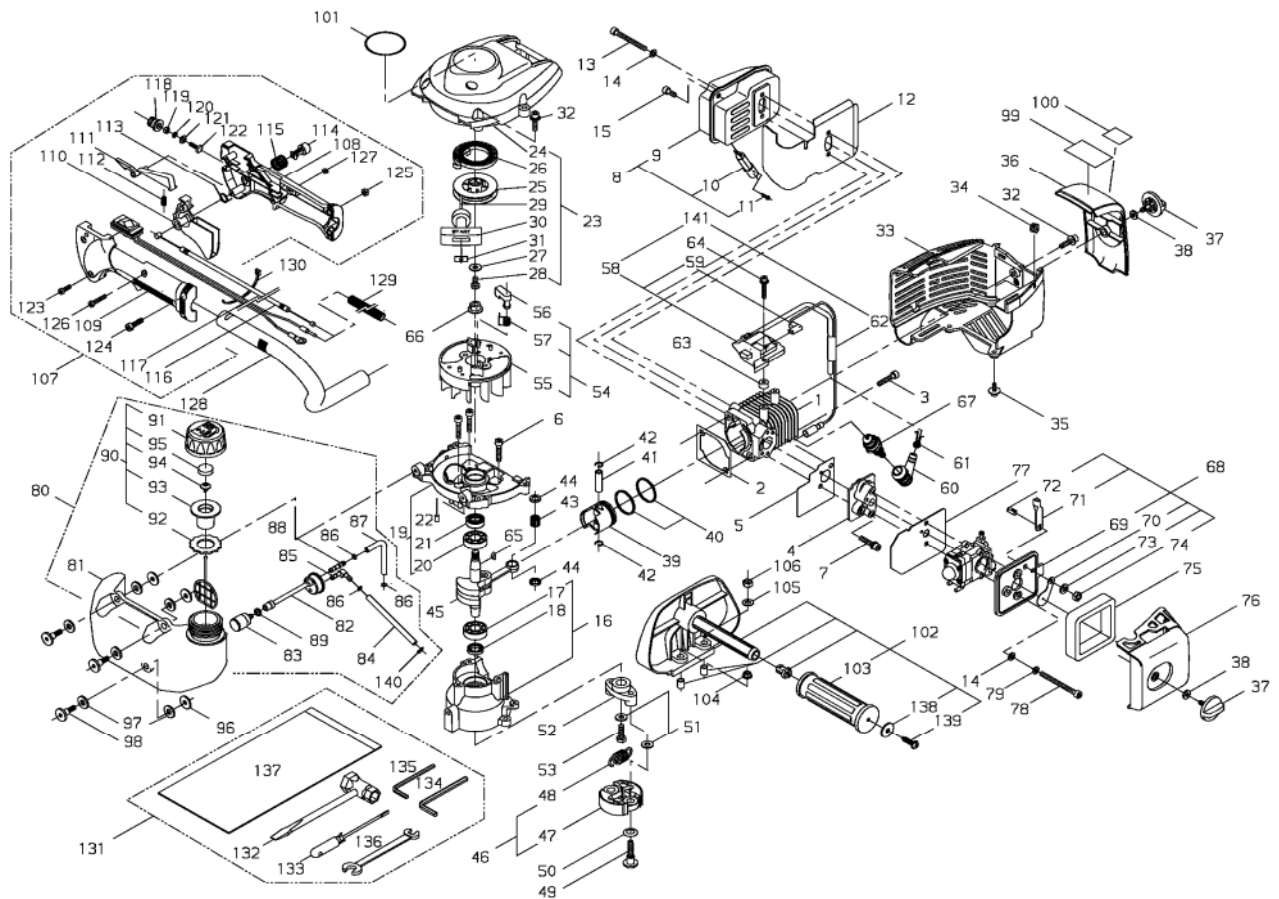
KEY	LV	PART NUMBER	Q'TY	DESCRIPTION	REMARKS	NOTE1	NOTE2
80		62800-85013	1	FUEL TANK ASSY			
81	▪	20870-85251	1	FUEL TANK			
82	▪	20870-85121	1	FUEL PIPE			
83	▪	20016-85400	1	FUEL FILTER			
84	▪	20870-85132	1	PIPE			
85	▪	20087-85340	1	JOINT,PIPE			
86	▪	20020-85540	3	CLIP			
87	▪	20870-85140	1	PIPE			
88	▪	72933-85620	1	JOINT			
89	▪	20000-85350	1	CLAMP B			
90	▪	62800-85021	1	FUEL CAP ASSY			
91	▪ ▪	20870-85310	1	FUEL CAP			
92	▪ ▪	20870-85160	1	GASKET			
93	▪ ▪	62800-85310	1	HOLDER COMP			
94	▪ ▪	20870-85320	1	VALVE FUEL			
95	▪ ▪	20870-85210	1	SEAL,CIRCULAR			
96		15401-10022	3	COLLAR		φ18xφ5.2 t=1.6	
97		20870-85230	6	COLLAR			
98		20870-85240	3	BOLT		M5	
99		19402-00148	1	LABEL,CAUTION			
100		19404-00048	1	LABEL DECIBEL			106dB(A)
101		20870-91120	1	LABEL TRADE			
102		20870-64104	1	FRONT HANDLE COMP			
103	▪	20870-64122	1	GRIP			
104		11526-05212	1	FLANGE NUT		M5	

1. ENGINE



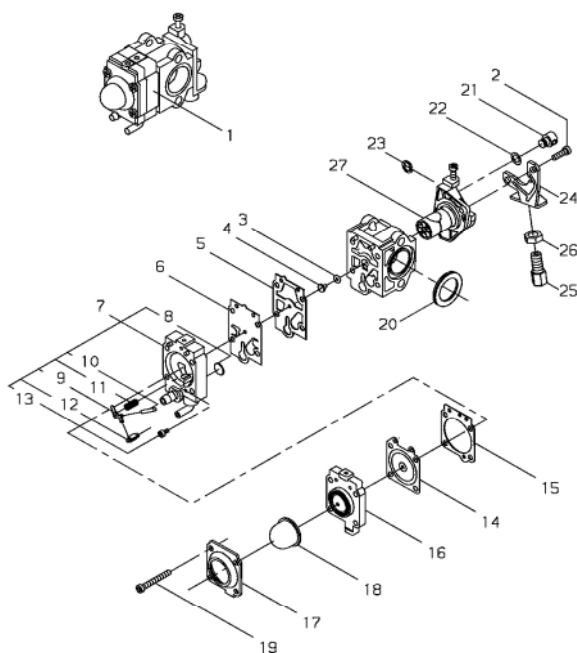
KEY	LV	PART NUMBER	Q'TY	DESCRIPTION	REMARKS	NOTE1	NOTE2
105		01613-06100	1	WASHER		φ6 t=1.0	
106		11525-06210	1	U NUT		M6	
107		20870-65103	1	REAR HANDLE SUB ASSY			
108	•	70871-65112	1	BODY RIGHT			
109	•	70871-65122	1	BODY LEFT			
110	•	70871-65130	1	LEVER			
111	•	70871-65140	1	LOCK LEVER			
112	•	70871-65150	1	COIL SPRING			
113	•	70871-65160	1	COIL SPRING			
114	•	70871-65170	1	BUTTON			
115	•	70871-65180	1	COIL SPRING			
116	•	70871-65191	1	THROTTLE CABLE			
117	•	70871-65202	1	SWITCH COMP			
118	•	20870-65110	1	KNOB			
119	•	20870-65120	1	NUT			
120	•	20870-65320	1	SPRING WASHER			
121	•	20870-65141	1	WASHER			
122	•	20870-65150	1	BOLT			
123	•	70871-65311	3	SCREW TAPPING		4x16	
124	•	70871-65320	2	SCREW PM		M5x20	
125	•	01501-05030	2	NUT	M5	M5	
126	•	70871-65331	1	SCREW		M4x23	
127	•	70871-65340	1	NUT		M4	
128	•	20870-65311	1	PIPE			
129	•	20019-83140	1	TUBE			
130	•	15210-12305	1	BAND			

1. ENGINE



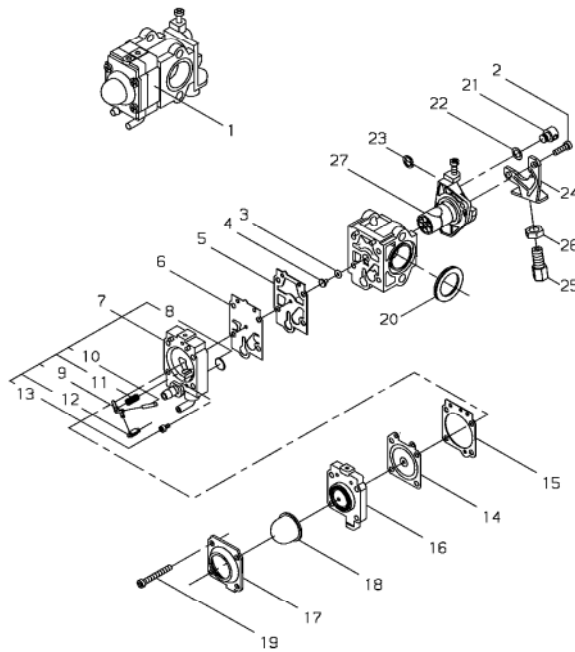
KEY	LV	PART NUMBER	Q'TY	DESCRIPTION	REMARKS	NOTE1	NOTE2
131		70871-92100	1	TOOL SET			
132	▪	22150-91410	1	PLUG WRENCH			
133	▪	22150-91160	1	DRIVER			
134	▪	09026-05001	1	HEXA WRENCH 6MM			
135	▪	09026-04001	1	HEXA WRENCH	4MM M5㉿		
136	▪	22000-91120	1	SPANNER			
137	▪	19639-01100	1	POLY BAG			
138	▪	15401-20011	1	COLLAR		φ20×φ5.5 t=1.6	
139	▪	22160-32220	1	SCREW	M5*20	5×20	
140	▪	37013-85310	1	CLIP			
141		20870-98310	1	COIL SET			

2. CARBURETOR



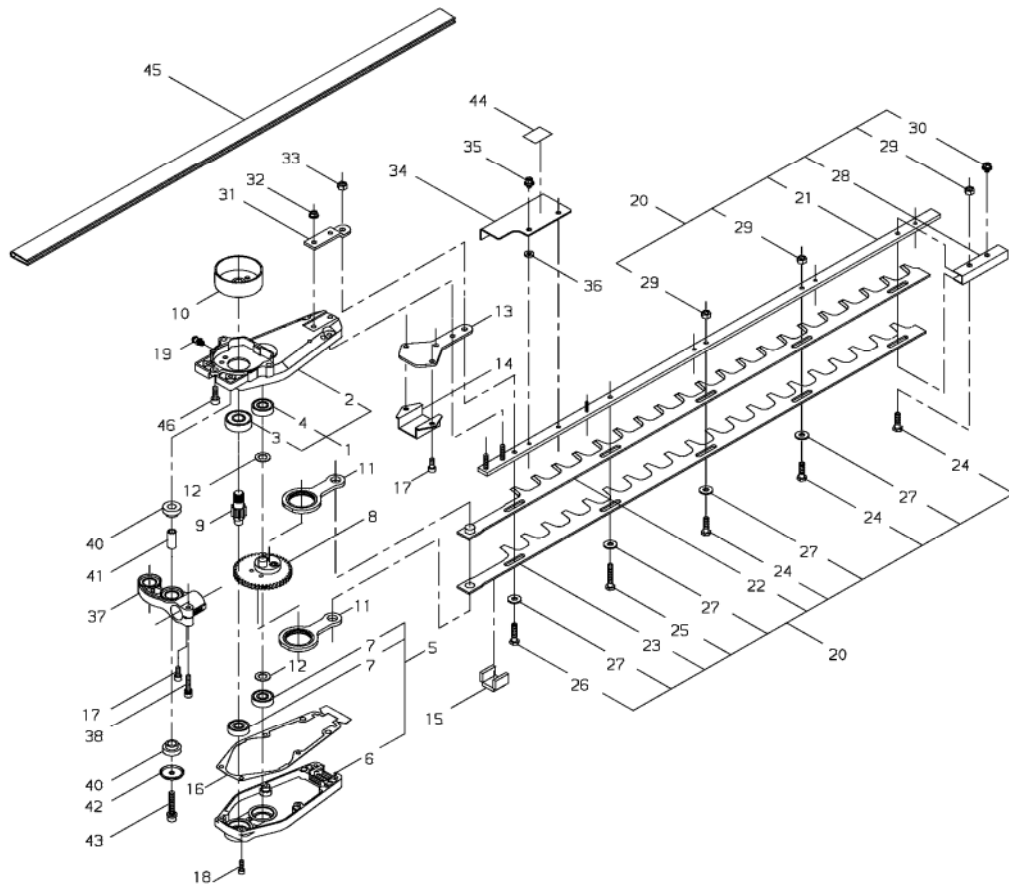
KEY	LV	PART NUMBER	Q'TY	DESCRIPTION	REMARKS	NOTE1	NOTE2
1		70871-81100	1	CARBURETOR SUB ASSY			
2	▪	70097-81290	2	SCREW			
3	▪	70097-81220	1	O-RING			
4	▪	72934-81230	1	MAIN JET			
5	▪	70097-81310	1	GASKET,PUMP			
6	▪	70097-81320	1	DIAPHRAGM			
7	▪	72933-81410	1	PUMP BODY ASSY			
8	▪▪	70030-81380	1	SCREEN			
9	▪▪	22100-81230	1	LEVER, METERING			
10	▪▪	22100-81250	1	PIN			
11	▪▪	72933-81270	1	SPRING			
12	▪▪	20036-81440	1	VALVE			
13	▪▪	20016-81450	1	SCREW			
14	▪	22100-81260	1	DIAPHRAGM ASM			
15	▪	20016-81280	1	GASKET			
16	▪	20016-81420	1	PUMP BASE COMP			
17	▪	20016-81510	1	PUMP COVER			
18	▪	20036-81670	1	PRIMER PUMP			
19	▪	20016-81140	4	SCREW			
20	▪	72933-81250	1	RING GASKET			
21	▪	72933-81450	1	SWIVEL			
22	▪	20089-81185	1	WASHER			
23	▪	20036-81195	1	E RING			
24	▪	20089-81130	1	BRACKET			
25	▪	20089-81110	1	CABLE ADJUSTER			
26	▪	20036-81120	1	NUT			

2. CARBURETOR



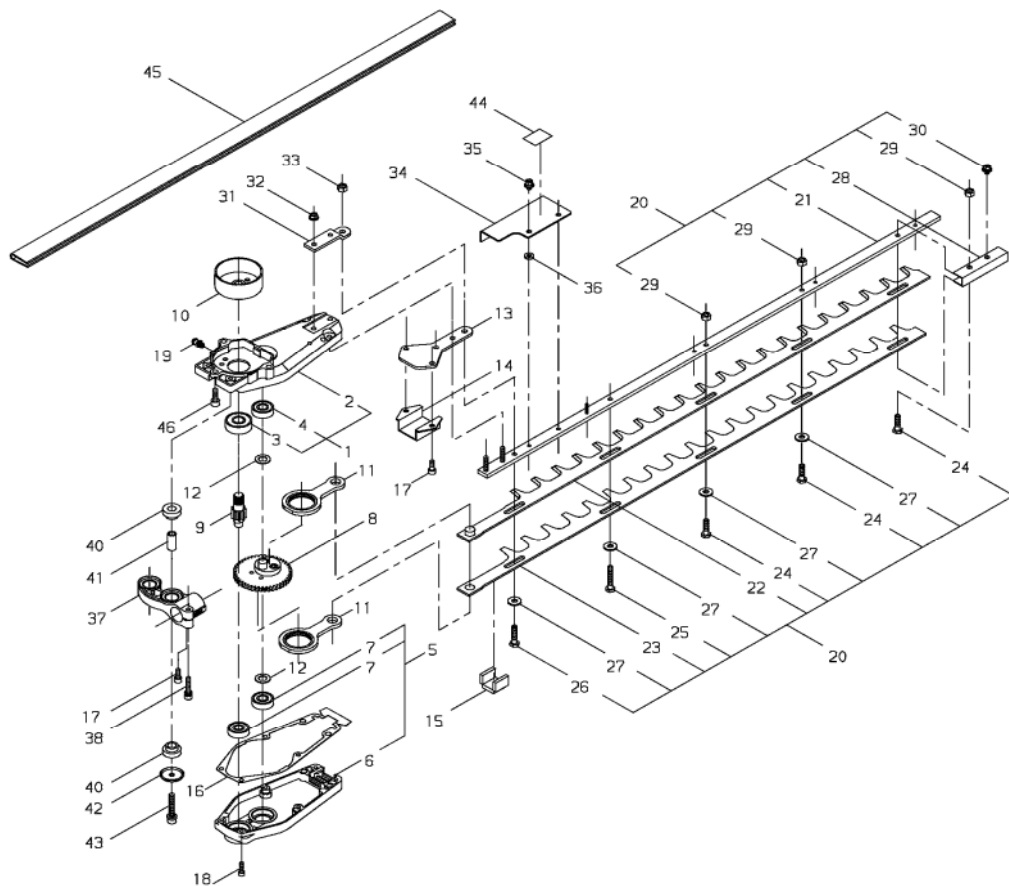
KEY	LV	PART NUMBER	Q'TY	DESCRIPTION	REMARKS	NOTE1	NOTE2
27	•	20870-81210	1	THROTTLE VALVE SET			

3. GEAR CASE



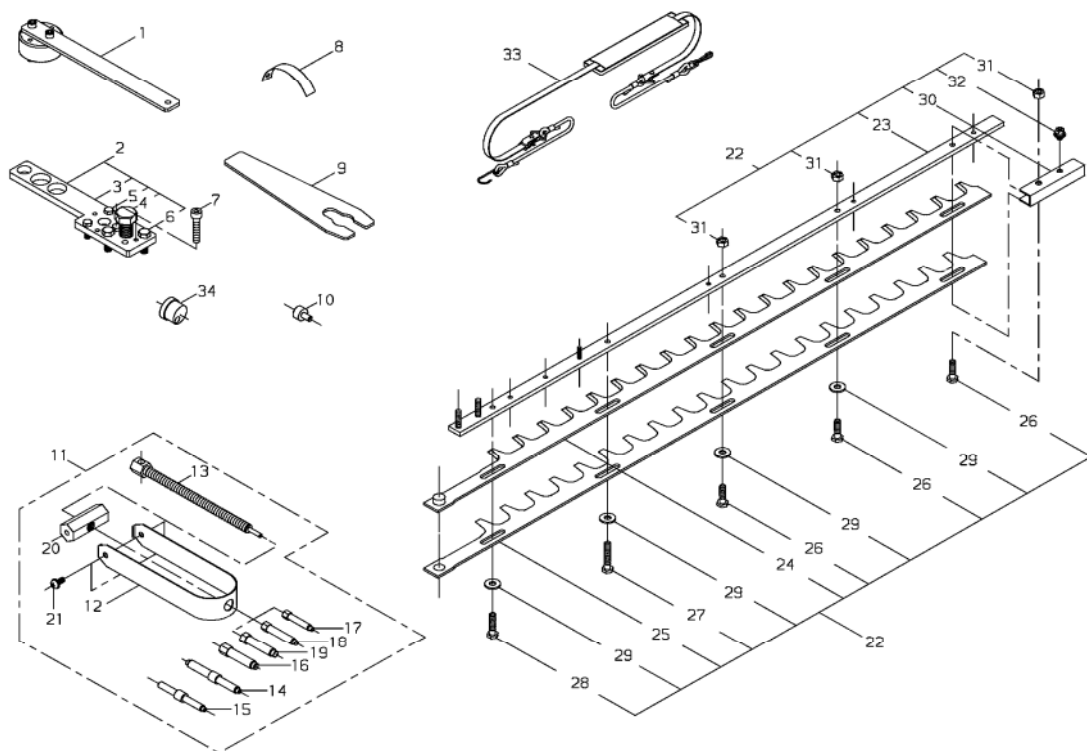
KEY	LV	PART NUMBER	Q'TY	DESCRIPTION	REMARKS	NOTE1	NOTE2
1		20870-61103	1	GEAR CASE COMP			
2	•	20870-61113	1	GEAR CASE			
3	•	02006-06201	1	BEARING		6201DDU	
4	•	02002-06000	1	BALL BEARING		6000ZZ	
5		20870-61203	1	CASE COVER COMP			
6	•	20870-61213	1	CASE COVER			
7	•	02002-06000	2	BALL BEARING		6000ZZ	
8		20870-61301	1	GEAR COMP			
9		20870-61410	1	PINION SHAFT			
10		20870-61420	1	CLUTCH DRUM			
11		20870-61500	2	ROD COMP			
12		15401-11008	2	COLLAR			
13		20870-61611	1	PLATE			
14		20870-61621	1	PLATE			
15		20870-61630	1	PACKING			
16		20870-61650	1	GASKET CASE			
17		01020-05120	3	BOLT	M5*12	M5x12	
18		01020-04140	6	BOLT		M4x14	
19		20870-61640	1	GREASE NIPPLE			
20		70872-62101	1	CUTTER SUB ASSY		CARB • EPA	
20		63810-62010	1	CUTTER ASSY		CE • YB • EC	
21	•	20870-62201	1	GUIDE BAR COMP			
22	•	18500-70000	1	BLADE		CARB • EPA	
22	•	18500-70004	1	BLADE		CE • YB • EC	
23	•	18500-70001	1	BLADE		CARB • EPA	
23	•	18500-70005	1	BLADE		CE • YB • EC	

3. GEAR CASE



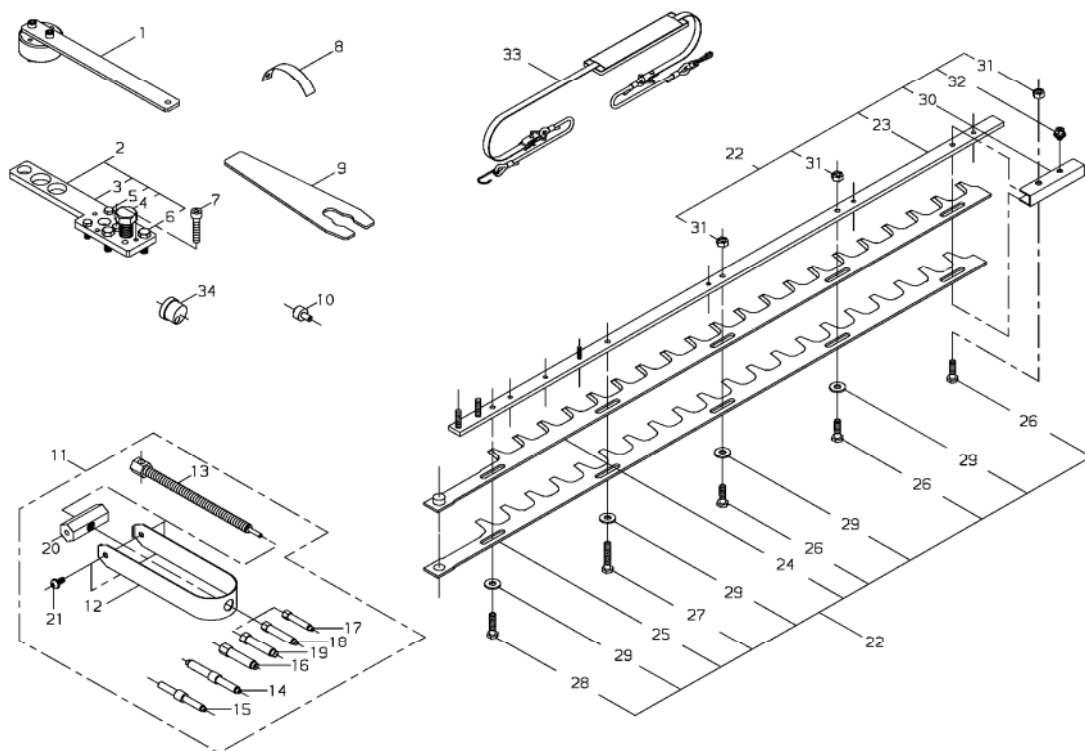
KEY	LV	PART NUMBER	Q'TY	DESCRIPTION	REMARKS	NOTE1	NOTE2
24	•	20870-62110	3	BOLT		M6	
25	•	20870-62120	1	BOLT		M6	
26	•	20870-62150	1	BOLT		M6	
27	•	20870-62131	4	WASHER			
28	•	20870-62141	1	PLATE			
29	•	11525-06210	3	U NUT		M6	
30	•	20870-63120	1	BOLT SLPW		M5x8	
31		20870-62210	1	HOLDER			
32		11526-05212	2	FLANGE NUT		M5	
33		11525-06210	1	U NUT		M6	
34		20870-63211	1	PROTECTOR			
35		20870-63120	2	BOLT SLPW		M5x8	
36		23627-21220	2	COLLAR		φ5	
37		20870-65413	1	HANDLE STAY			
38		11023-05250	1	BOLT SW		M5x25	
40		20870-65420	4	CUSHION			
41		15401-10200	2	COLLAR			
42		20870-65430	2	PLATE			
43		11020-06350	2	BOLT SW		M6x35	
44		19402-00147	1	LABEL,CAUTION			
45		19601-01602	1	COVER		30"	
46		01020-06160	3	BOLT		M6x16	

4. OPTION



KEY	LV	PART NUMBER	Q'TY	DESCRIPTION	REMARKS	NOTE1	NOTE2
1		20870-98010	1	SPANNER			
2		20000-96104	1	PULLER ASSY			
3	▪	20000-96114	1	LEVER			
4	▪	22100-96121	1	CENTER BOLT		M16	
5	▪	20000-96130	3	BOLT			
6	▪	20000-96140	2	BOLT			
7		01020-06350	2	BOLT		M6x35	
8		20000-96210	1	AIR GAP GAUGE			
9		20000-96411	1	ROTOR SPANNER			
10		20021-96420	2	STOPPER			
11		20021-96601	1	PULLER ASSY			
12	▪	20021-96611	1	PULLER			
13	▪	20021-96621	1	BOLT			
14	▪	20000-96631	1	GUIDE PIN			
15	▪	20035-96630	1	GUIDE PIN			
16	▪	20021-96630	1	GUIDE PIN			
17	▪	20021-96650	1	PIN ADAPTER			
18	▪	20021-96660	1	PIN ADAPTER			
19	▪	20021-96670	1	PIN ADAPTER			
20	▪	20000-96640	1	BOSS			
21	▪	01211-06120	2	SCREW SW			
22		20870-98040	1	CUTTER ASSY			
23	▪	20870-62201	1	GUIDE BAR COMP			
24	▪	18500-70002	1	BLADE			
25	▪	18500-70003	1	BLADE			
26	▪	20870-62110	3	BOLT		M6x20	

4. OPTION



KEY	LV	PART NUMBER	Q'TY	DESCRIPTION	REMARKS	NOTE1	NOTE2
27	•	20870-62120	1	BOLT		M6x32	
28	•	20870-62150	1	BOLT		M6x25	
29	•	20870-62131	4	WASHER			
30	•	20870-62141	1	PLATE			
31	•	11525-06210	3	U NUT		M6	
32	•	20870-63120	1	BOLT SLPW		M5x8	
33		22910-97100	1	STRAP ASSY			
34		20870-98050	1	HOLDER			
35		70870-98020	1	PISTON SET			
36		20000-41210	2	PISTON RING			
37		20870-12121	1	GASKET			
38		20075-41111	1	PISTON			
39		20075-41310	1	PISTON PIN			
40		70030-41320	2	RING,END			
41		37013-41230	1	NEEDLE BEARING			
42		37013-41240	2	THRUST WASHER			
43		70870-98030	1	VALVE SET			
44		70030-81380	1	SCREEN			
45		22100-81230	1	LEVER, METERING			
46		22100-81250	1	PIN			
47		72933-81270	1	SPRING			
48		20036-81440	1	VALVE			
49		20016-81450	1	SCREW			
50		70870-98011	1	PLATE SET			
51		20870-63111	1	PLATE			
52		20870-63120	3	BOLT SLPW			

Index

Patrs Number	Key No.	Patrs Number	Key No.	Patrs Number	Key No.
01020-04140	3 - 18	19402-00147	3 - 44	20075-41111	4 - 38
01020-05120	1 - 15	19402-00148	1 - 99	20075-41310	1 - 41
01020-05120	3 - 17	19404-00048	1 - 100	20075-41310	4 - 39
01020-05250	1 - 3	19601-01602	3 - 45	20087-51210	1 - 49
01020-05500	1 - 13	19639-01100	1 - 137	20087-51231	1 - 50
01020-05550	1 - 78	20000-21211	1 - 21	20087-85340	1 - 85
01020-06160	3 - 46	20000-41210	1 - 40	20089-81110	2 - 25
01020-06350	4 - 7	20000-41210	4 - 36	20089-81130	2 - 24
01211-06120	4 - 21	20000-72230	1 - 61	20089-81185	2 - 22
01270-03062	1 - 11	20000-85350	1 - 89	20110-82140	1 - 72
01501-05030	1 - 125	20000-96104	4 - 2	20115-82120	1 - 70
01600-05131	1 - 79	20000-96114	4 - 3	20870-12121	1 - 2
01600-06151	1 - 73	20000-96130	4 - 5	20870-12121	4 - 37
01610-05080	1 - 14	20000-96140	4 - 6	20870-12220	1 - 5
01613-06100	1 - 105	20000-96210	4 - 8	20870-15122	1 - 12
02002-06000	3 - 4	20000-96411	4 - 9	20870-21100	1 - 16
02002-06000	3 - 7	20000-96631	4 - 14	20870-21301	1 - 19
02006-06201	3 - 3	20000-96640	4 - 20	20870-31102	1 - 23
02403-03100	1 - 65	20010-75190	1 - 30	20870-31112	1 - 24
09026-04001	1 - 135	20010-75210	1 - 31	20870-32111	1 - 33
09026-05001	1 - 134	20011-72120	1 - 34	20870-33111	1 - 36
11020-06350	3 - 43	20016-12213	1 - 4	20870-33120	1 - 37
11022-05300	1 - 7	20016-71651	1 - 62	20870-42101	1 - 45
11023-05250	3 - 38	20016-81140	2 - 19	20870-51211	1 - 52
11024-04261	1 - 64	20016-81280	2 - 15	20870-51220	1 - 53
11060-04163	1 - 35	20016-81420	2 - 16	20870-61103	3 - 1
11060-05202	1 - 32	20016-81450	2 - 13	20870-61113	3 - 2
11524-06211	1 - 74	20016-81450	4 - 49	20870-61203	3 - 5
11525-06210	1 - 106	20016-81510	2 - 17	20870-61213	3 - 6
11525-06210	3 - 29	20016-85400	1 - 83	20870-61301	3 - 8
11525-06210	3 - 33	20019-83140	1 - 129	20870-61410	3 - 9
11525-06210	4 - 31	20020-85540	1 - 86	20870-61420	3 - 10
11526-05212	1 - 104	20021-96420	4 - 10	20870-61500	3 - 11
11526-05212	3 - 32	20021-96601	4 - 11	20870-61611	3 - 13
12492-40080	1 - 22	20021-96611	4 - 12	20870-61621	3 - 14
12900-60010	1 - 17	20021-96621	4 - 13	20870-61630	3 - 15
12900-60010	1 - 20	20021-96630	4 - 16	20870-61640	3 - 19
13000-13406	1 - 67	20021-96650	4 - 17	20870-61650	3 - 16
15210-12305	1 - 130	20021-96660	4 - 18	20870-62110	3 - 24
15401-10022	1 - 96	20021-96670	4 - 19	20870-62110	4 - 26
15401-10200	3 - 41	20035-71220	1 - 66	20870-62120	3 - 25
15401-11008	3 - 12	20035-75170	1 - 28	20870-62120	4 - 27
15401-20011	1 - 138	20035-96630	4 - 15	20870-62131	3 - 27
18500-70000	3 - 22	20036-81120	2 - 26	20870-62131	4 - 29
18500-70001	3 - 23	20036-81195	2 - 23	20870-62141	3 - 28
18500-70002	4 - 24	20036-81440	2 - 12	20870-62141	4 - 30
18500-70003	4 - 25	20036-81440	4 - 48	20870-62150	3 - 26
18500-70004	3 - 22	20036-81670	2 - 18	20870-62150	4 - 28
18500-70005	3 - 23	20075-41110	1 - 39	20870-62201	3 - 21

Index

Patrs Number	Key No.	Patrs Number	Key No.	Patrs Number	Key No.
20870-62201	4 - 23	22100-71430	1 - 51	70871-65130	1 - 110
20870-62210	3 - 31	22100-81230	2 - 9	70871-65140	1 - 111
20870-63111	4 - 51	22100-81230	4 - 45	70871-65150	1 - 112
20870-63120	3 - 30	22100-81250	2 - 10	70871-65160	1 - 113
20870-63120	3 - 35	22100-81250	4 - 46	70871-65170	1 - 114
20870-63120	4 - 32	22100-81260	2 - 14	70871-65180	1 - 115
20870-63120	4 - 52	22100-96121	4 - 4	70871-65191	1 - 116
20870-63211	3 - 34	22150-21250	1 - 18	70871-65202	1 - 117
20870-64104	1 - 102	22150-91160	1 - 133	70871-65311	1 - 123
20870-64122	1 - 103	22150-91410	1 - 132	70871-65320	1 - 124
20870-65103	1 - 107	22160-32220	1 - 139	70871-65331	1 - 126
20870-65110	1 - 118	22160-72220	1 - 60	70871-65340	1 - 127
20870-65120	1 - 119	22910-97100	4 - 33	70871-81100	2 - 1
20870-65141	1 - 121	23627-21220	1 - 38	70871-92100	1 - 131
20870-65150	1 - 122	23627-21220	3 - 36	70872-62101	3 - 20
20870-65311	1 - 128	37013-41230	1 - 43	72933-81250	2 - 20
20870-65320	1 - 120	37013-41230	4 - 41	72933-81270	2 - 11
20870-65413	3 - 37	37013-41240	1 - 44	72933-81270	4 - 47
20870-65420	3 - 40	37013-41240	4 - 42	72933-81410	2 - 7
20870-65430	3 - 42	37013-51310	1 - 48	72933-81450	2 - 21
20870-71100	1 - 54	37013-85310	1 - 140	72933-85620	1 - 88
20870-71110	1 - 55	62800-85013	1 - 80	72934-81230	2 - 4
20870-71120	1 - 56	62800-85021	1 - 90		
20870-71130	1 - 57	62800-85310	1 - 93		
20870-71202	1 - 58	62809-12111	1 - 1		
20870-71222	1 - 59	63810-62010	3 - 20		
20870-81210	2 - 27	70030-41320	1 - 42		
20870-82100	1 - 68	70030-41320	4 - 40		
20870-82111	1 - 69	70030-71620	1 - 63		
20870-82120	1 - 71	70030-75120	1 - 25		
20870-82210	1 - 75	70030-75130	1 - 26		
20870-82312	1 - 76	70030-75140	1 - 27		
20870-82411	1 - 77	70030-75160	1 - 29		
20870-85121	1 - 82	70030-81380	2 - 8		
20870-85132	1 - 84	70030-81380	4 - 44		
20870-85140	1 - 87	70097-81220	2 - 3		
20870-85160	1 - 92	70097-81290	2 - 2		
20870-85210	1 - 95	70097-81310	2 - 5		
20870-85230	1 - 97	70097-81320	2 - 6		
20870-85240	1 - 98	70140-51012	1 - 46		
20870-85251	1 - 81	70140-51113	1 - 47		
20870-85310	1 - 91	70870-98011	4 - 50		
20870-85320	1 - 94	70870-98020	4 - 35		
20870-91120	1 - 101	70870-98030	4 - 43		
20870-98010	4 - 1	70871-15100	1 - 8		
20870-98040	4 - 22	70871-15110	1 - 9		
20870-98050	4 - 34	70871-15120	1 - 10		
20870-98310	1 - 141	70871-65112	1 - 108		
22000-91120	1 - 136	70871-65122	1 - 109		

YAMABIKO CORPORATION

7-2 SUEHIROCHO 1-CHOME, OHME, TOKYO 198-8760, JAPAN
PHONE: 81-428-32-6118. FAX: 81-428-32-6145.

shindaiwa[®]

1-30
No.