



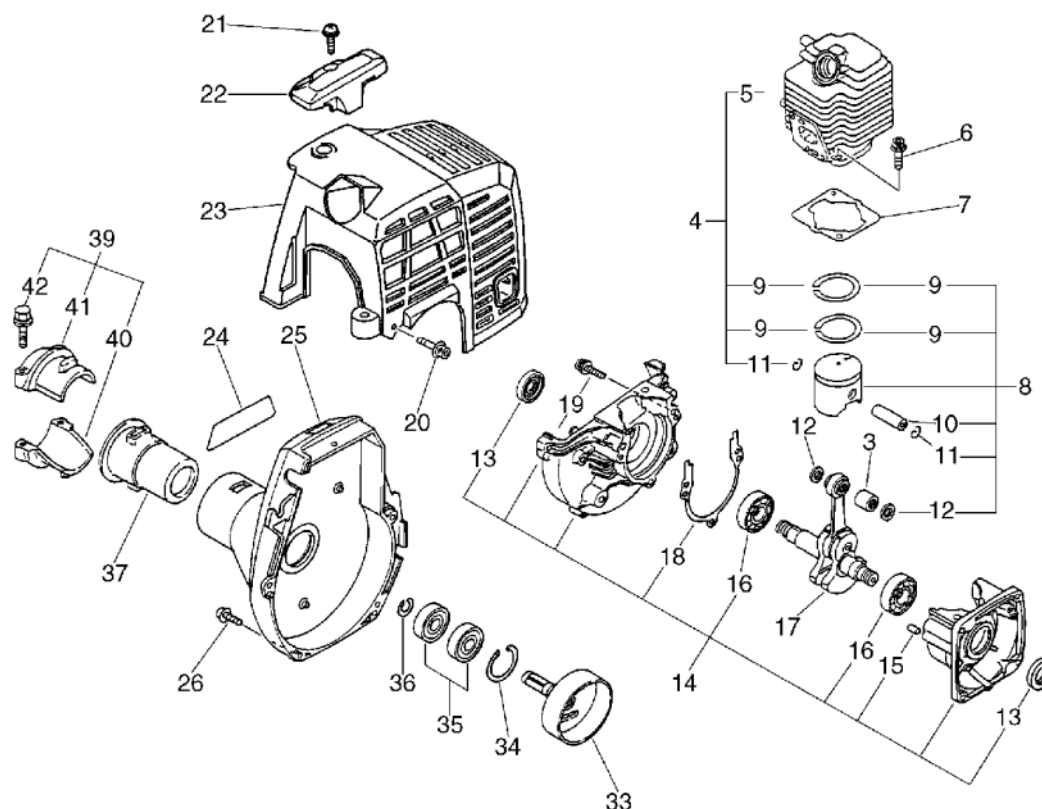
PARTS CATALOGUE

SHAFT HEDGE TRIMMER

HCA-2400

1. Cylinder, Crankcase, Piston, Fan Cover

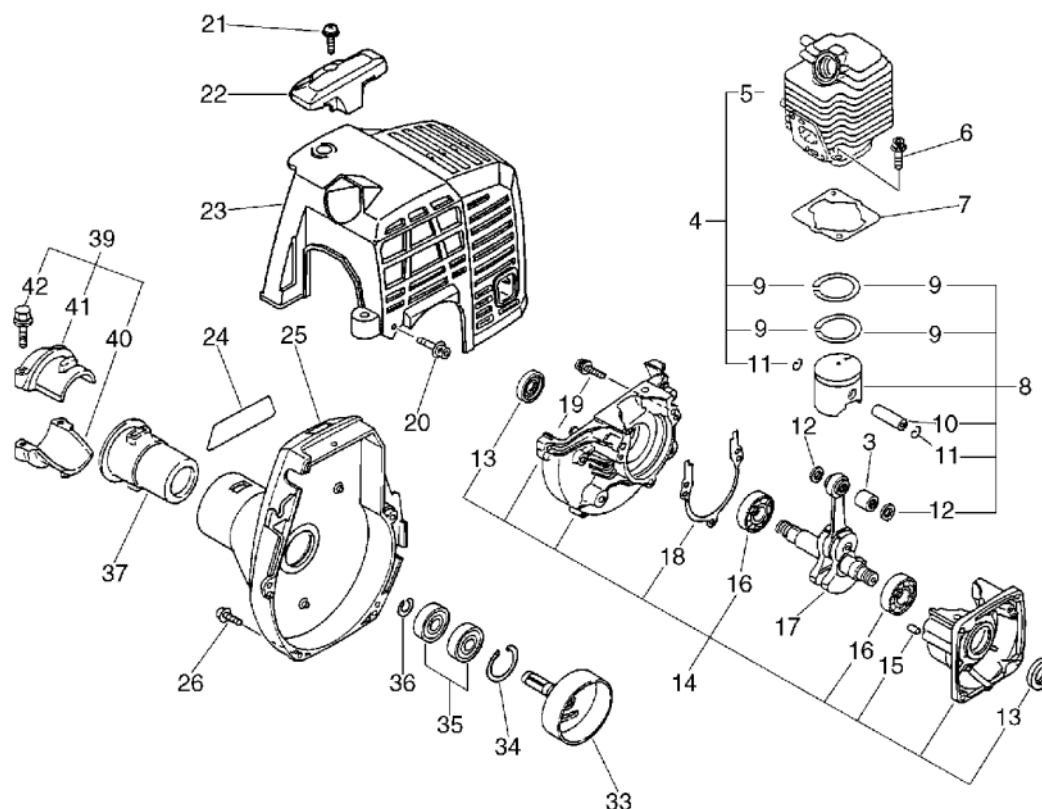
No.1



KEY	LV	PART NUMBER	Q'TY	DESCRIPTION	REMARKS	NOTE1	NOTE2
5		101011-09560	1	CYLINDER		Sr/Nr 005909 and before	
5		101011-08960	1	CYLINDER (CR)		Sus. by 101003-08960	
4		101003-08960	1	CYLINDER PISTON KIT			
5	+	101011-08961	1	CYLINDER (CR)		Sr/Nr 005910 and after	
9	+	100011-09560	1	RING, PISTON			
11	+	100015-04630	1	CIRCLIP, PISTON PIN			
6		900162-05022	2	BOLT, H.S. 5*22	5*22 W,SW		
7		101010-44332	1	GASKET, CYL. BASE			
8		100000-09561	1	PISTON KIT		Sus. by 100000-09563	
8		100000-09562	1	PISTON KIT		Sus. by 100000-09563	
8		100000-09563	1	PISTON KIT			
9	+	100011-09560	2	RING, PISTON			
10	+	100013-11520	1	PIN, PISTON			
11	+	100015-04630	2	CIRCLIP, PISTON PIN			
12	+	100014-11520	2	SPACER, PISTON PIN			
14		100204-52130	1	CRANKCASE KIT		Sus. by 100204-52132	
14		100204-52131	1	CRANKCASE KIT		Sus. by 100204-52132	
14		100204-52132	1	CRANKCASE KIT			

1. Cylinder, Crankcase, Piston, Fan Cover

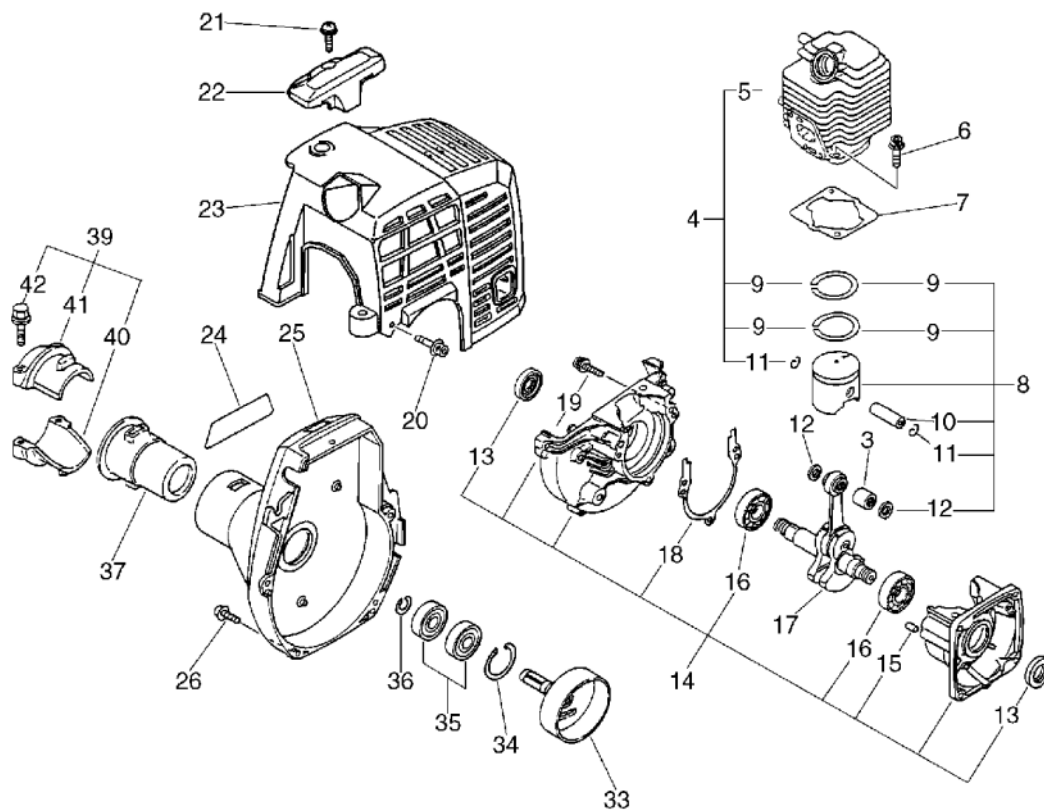
No.1



KEY	LV	PART NUMBER	Q'TY	DESCRIPTION	REMARKS	NOTE1	NOTE2
13	+	100212-42030	2	OILSEAL	ISCD12*22*4.5	Sus. by 100212-42031	
13	+	100212-42031	2	OILSEAL	ISCD 12*22*4.5		
15	+	100215-03930	2	PIN, DOWEL			
16	+	900810-36201	2	BEARING, BALL 6201	6201/C3	Sus. by 94035-36201	
16	+	94035-36201	2	BEARING BALL	6201X3JR2C3		
18	+	100242-42030	1	GASKET, CRANKCASE			
19	+	900162-05028	3	BOLT, H.S. 5*28	5*28 W,SW		
17		100100-52131	1	CRANKSHAFT ASSY		Sr/Nr 005909 and before	
17		100100-44732	1	CRANKSHAFT ASSY		Sus. by A011-000101	
17		A011-000100	1	CRANKSHAFT,ASM		Sus. by A011-000101	
17		A011-000101	1	CRANKSHAFT,ASM		Sr/Nr 005910 and after	
3	+	100012-51230	1	BEARING, NEEDLE	8*12*10	Sus. by V553-000010	
3	+	V553-000010	1	BEARING,NEEDLE 8	HK0810		
20		900162-04016	2	BOLT, H.S. 4*16	4*16 W,SW	Sus. by 900163-04016	
20		900163-04016	2	BOLT HSH			
21		900238-05016	1	SCREW 5*16	5*16		
22		159912-54130	1	GUARD, TOP			

1. Cylinder, Crankcase, Piston, Fan Cover

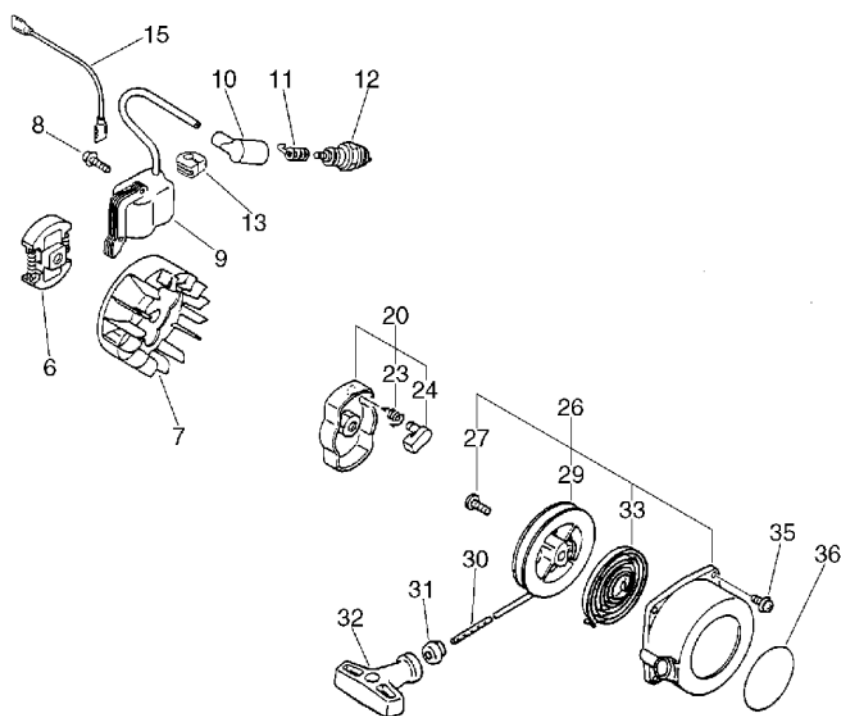
No.1



KEY	LV	PART NUMBER	Q'TY	DESCRIPTION	REMARKS	NOTE1	NOTE2
23		101514-48930	1	COVER, CYLINDER			
24		890115-12360	1	LABEL, MODEL			
25		101503-52131	1	COVER ASSY, FAN			
26		900162-04016	4	BOLT, H.S. 4*16	4*16 W,SW	Sus. by 900163-04016	
26		900163-04016	4	BOLT HSH			
33		175005-48930	1	DRUM, CLUTCH		Sus. by 175005-48931	
33		175005-48931	1	DRUM, CLUTCH			
34		900702-00028	1	CIRCLIP 28	CR-28		
35		900807-06001	2	BEARING, BALL 6001	6001V(LB)	Sus. by 900807-96001	
35		900807-96001	2	BEARING, BALL 6001	6001		
36		900701-00012	1	CIRCLIP 12	CS-12		
37		610910-55230	1	CUSHION			
39		610903-55230	1	HOLDER KIT			
40	+	610923-55230	1	HOLDER			
41	+	610922-27432	1	HOLDER			
42	+	900142-05025	2	BOLT 5*25 (W/W,SW)	5*25		

2. Starter, Magneto, Clutch

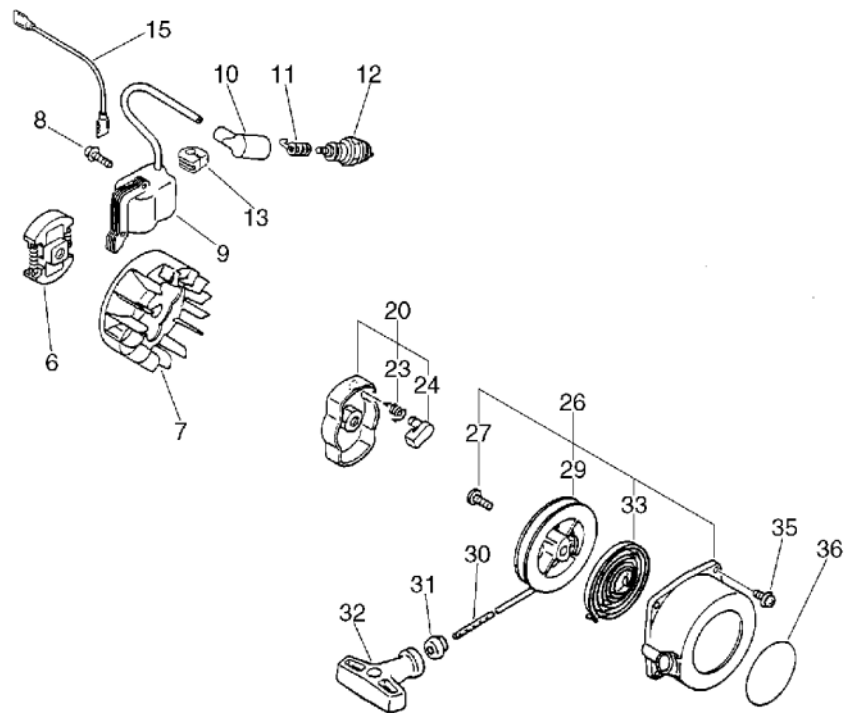
No.2



KEY	LV	PART NUMBER	Q'TY	DESCRIPTION	REMARKS	NOTE1	NOTE2
6		175000-42031	1	CLUTCH ASSY		Sus. by 175000-56830	
6		175000-49030	1	CLUTCH ASSY		Sus. by 175000-56830	
6		175000-56830	1	CLUTCH ASSY			
7		156801-44731	1	FLYWHEEL			
8		900162-04022	2	BOLT, H.S. 4*22	4*22 W,SW		
9		156601-06961	1	C.D. IGNITION MODULE		Sr/Nr 005909 and before	
9		156626-52630	1	COIL, IGNITION		Sr/Nr 005910 and after	
10		159012-03433	1	CAP, SPARK PLUG			
11		159011-03432	1	COIL, SPARK PLUG			
12		159010-10230	1	PLUG, SPARK (BPMR-7A)	BPMR-7A		
13		156112-40630	1	GROMMET			
15		162021-52130	1	LEAD	210L	Sus. by 162010-52830	
15		162010-52830	1	LEAD, GROUND		Sr/Nr 005910 and after	
20		177202-44330	1	PAWL ASSY, STARTER		Sus. by 177202-44331	
20		177202-44331	1	PAWL ASM., STARTER			
23	+	177234-42030	1	SPRING, RETURN			
24	+	177218-44330	1	PAWL, STARTER	BLACK		
26		177200-42033	1	STARTER ASSY			
27	+	177236-44330	1	SCREW			

2. Starter, Magneto, Clutch

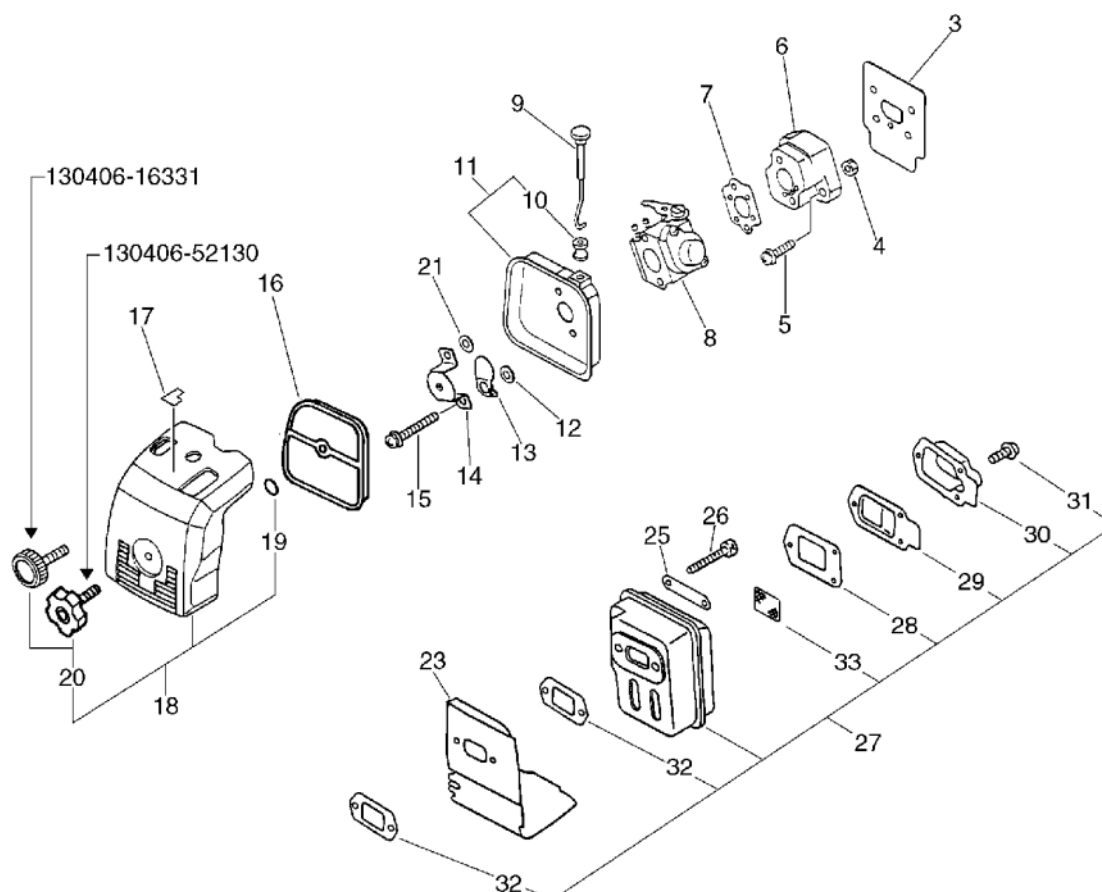
No.2



KEY	LV	PART NUMBER	Q'TY	DESCRIPTION	REMARKS	NOTE1	NOTE2
29	+	177215-44430	1	DRUM, STARTER			
30	+	177226-10120	1	ROPE, STARTER	3.0*1000		
31	+	177227-42030	1	GUIDE, ROPE			
32	+	177228-06530	1	GRIP, STARTER			
33	+	177220-42030	1	SPRING, REWIND			
35		900162-04016	2	BOLT, H.S. 4*16	4*16 W,SW	Sus. by 900163-04016	
35		900163-04016	2	BOLT HSH			
36		890118-49130	1	LABEL, ECHO			

3. Air Cleaner, Muffler

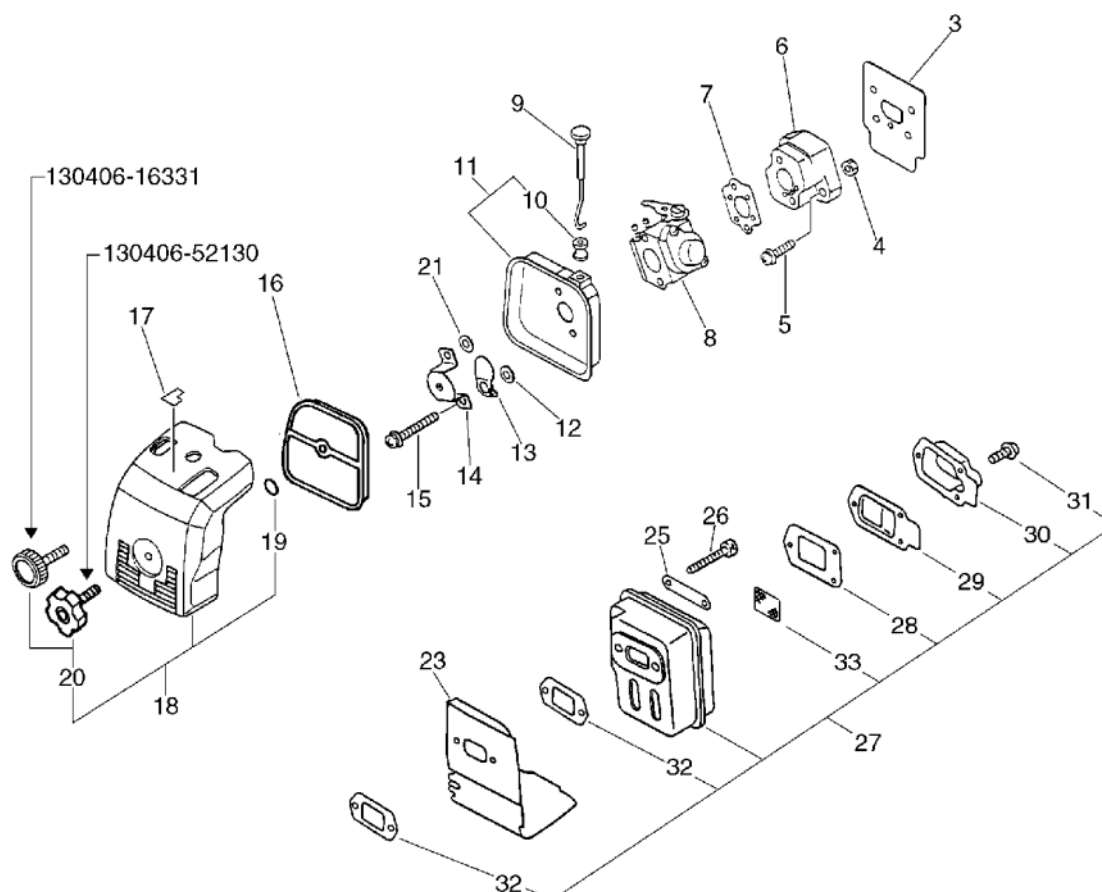
No.3



KEY	LV	PART NUMBER	Q'TY	DESCRIPTION	REMARKS	NOTE1	NOTE2
3		130010-42032	1	GASKET,INTAKE			
4		900500-00005	2	NUT 5	5		
5		900238-05020	2	SCREW 5*20	5*20		
6		130017-42031	1	INSULATOR, INTAKE			
7		130016-42031	1	GASKET, INTAKE		Sr/Nr 005909 and before	
7		130010-05960	1	GASKET, INTAKE		Sr/Nr 005910 and after	
8		125200-52131	1	CARBURETOR ASSY	C1U-K23B	Sr/Nr 005909 and before	
8		123000-52130	1	CARBURETOR ASSY	WT-424	Sus. by 123000-52133	
8		123000-52131	1	CARBURETOR ASSY	WT-424A	Sus. by 123000-52133	
8		123000-52132	1	CARBURETOR ASSY	WT424B	Sus. by 123000-52133	
8		123000-52133	1	CARBURETOR WT-424C	WT-424C	Sr/Nr 005910 and after	
9		178510-51730	1	ROD, CHOKE			
11		130314-51730	1	CASE, CLEANER		Sus. by 130301-51730	
11		130301-51730	1	CASE, AIR CLEANER			
10	+	178810-05230	1	GROMMET			
12		178516-00830	1	SPACER	5.2*8*0.8T		
13		178515-05060	1	SHUTTER, CHOKE			

3. Air Cleaner, Muffler

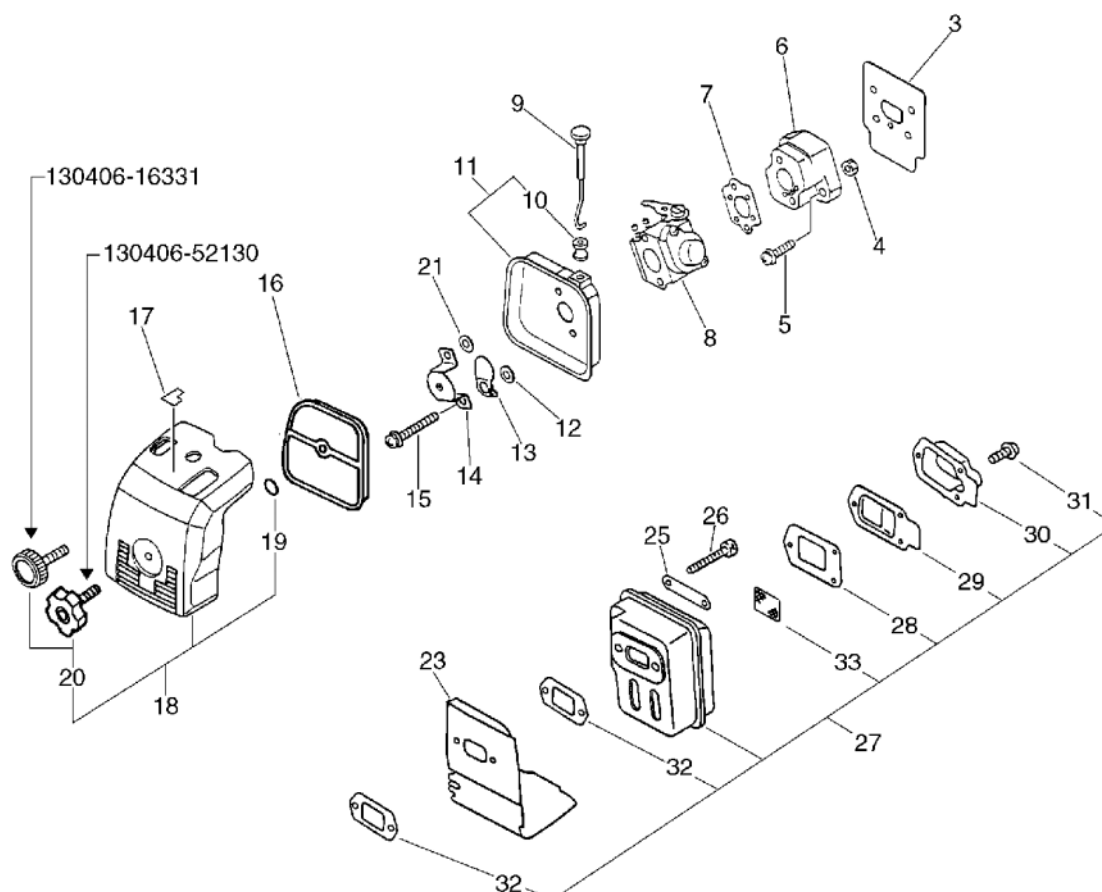
No.3



KEY	LV	PART NUMBER	Q'TY	DESCRIPTION	REMARKS	NOTE1	NOTE2
14		129011-52130	1	PLATE		Sus. by 129011-52131	
14		129011-52131	1	PLATE			
15		900242-05057	2	SCREW 5*57	5*57		
16		130310-51830	1	FILTER, AIR			
17		890121-47530	1	LABEL, CHOKE			
18		130302-51731	1	COVER ASSY, AIR CLN.		Sus. by 130302-52131	
18		130302-52130	1	COVER ASSY, AIR CLN.		Sus. by 130302-52131	
18		130302-52131	1	COVER ASY, A.CLEANER			
19	+	900720-00003	1	O-RING P-3	P-3	Can be used on the 130302-51731 only	
20	+	130406-16331	1	NUT, THUMB		Can be used on the 130302-51731 only	
20	+	130406-52130	1	KNOB, FASTENER		Sus. by 130406-52131	
20	+	130406-52131	1	KNOB, FASTENER		Can be used on the 130302-52131 only	
21		900600-00005	1	WASHER 5	5		
23		145631-42030	1	COVER, MUFFLER		Sus. by A320-000251	

3. Air Cleaner, Muffler

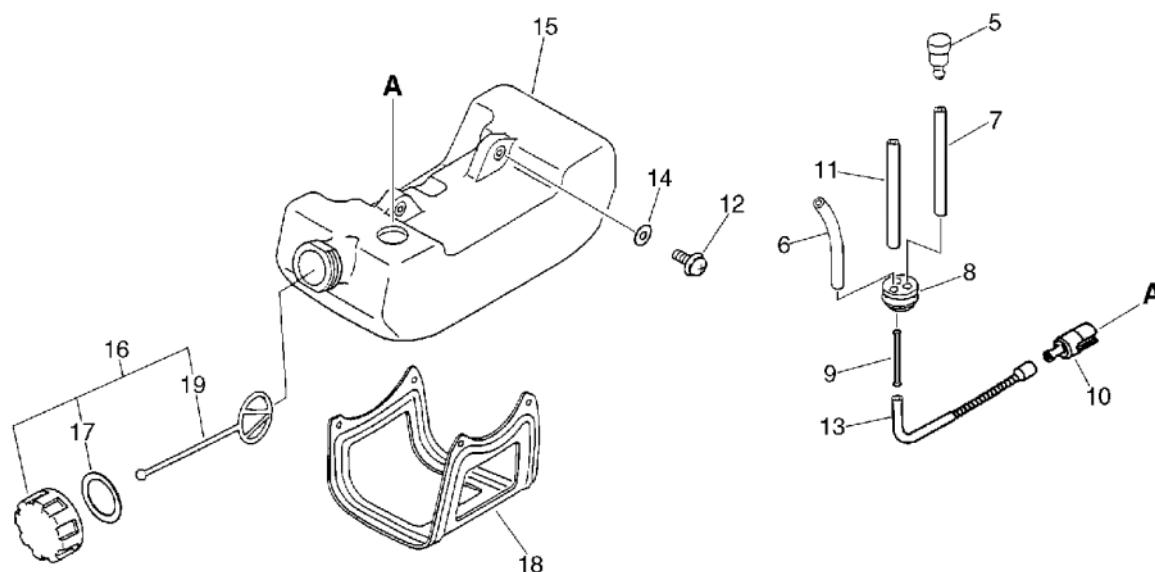
No.3



KEY	LV	PART NUMBER	Q'TY	DESCRIPTION	REMARKS	NOTE1	NOTE2
23		A320-000250	1	COVER,MUFFLER		Sus. by A320-000251	
23		A320-000251	1	COVER,MUFFLER			
25		145642-04930	1	WASHER			
26		900105-05055	2	BOLT, H.S. 5*55	5*55		
27		145802-21560	1	MUFFLER ASSY		Sr/Nr 032874 and before	
27		P021-008940	1	MUFFLER ASY		Sr/Nr 36001001 and after	
28	+	145866-42031	1	GASKET, MUFFLER LID			
29	+	145863-42030	1	HOLDER, SCREEN		Sus. by 145818-52130	
29	+	145818-52130	1	GUIDE, EXHAUST			
30	+	145876-42030	1	LID, MUFFLER (B)			
31	+	900242-04010	3	SCREW 4*10	4*10		
32	+	145510-42031	2	GASKET, MUFFLER		Sus. by V104-000160	
32	+	145510-42032	2	GASKET, MUFFLER		Sus. by V104-000160	
32	+	V104-000160	2	GASKET,EXHAUST			
33	+	145862-40630	1	SCREEN, MUFFLER		Sr/Nr 36001001 and after	

4. Fuel Tank

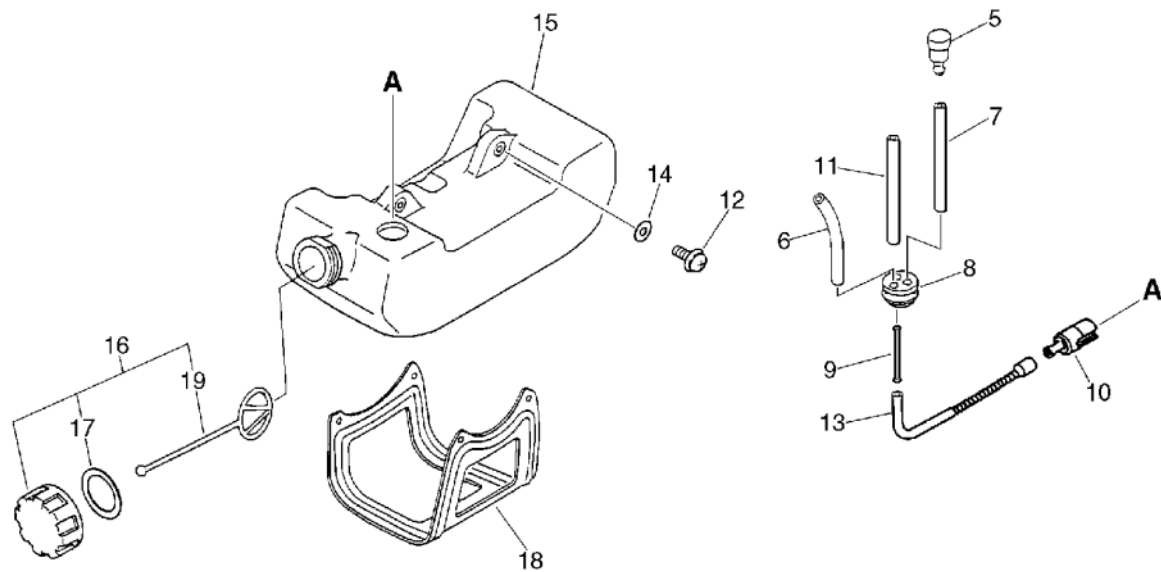
No.4



KEY	LV	PART NUMBER	Q'TY	DESCRIPTION	REMARKS	NOTE1	NOTE2
5		131300-40630	1	VALVE, CHECK		Sus. by A356-000030	
5		131300-56430	1	VALVE, CHECK		Sus. by A356-000030	
5		A356-000030	1	VALVE, CHECK			
6		132012-51030	1	PIPE 3*5*90	3*5*90 ㇿニㇿ	Sus. by 132010-56330	
6		132010-56330	1	PIPE 3*6*90	3*6*90 YL		
7		131312-44330	1	PIPE, 3*5*70L	3*5*70L NBR	Sus. by V471-001200	
7		131312-39130	1	PIPE	3*5*70(+3)NBR	Sus. by V471-001200	
7		V471-001200	1	PIPE	3*5*70 NBR		
8		132115-46730	1	GROMMET, FUEL		Sus. by V137-000030	
8		V137-000030	1	GROMMET, FUEL			
9		132011-03360	1	CONNECTOR, FUEL PIPE			
10		131205-50430	1	STRAINER, FUEL		Sus. by 131205-07320	
10		131205-07320	1	STRAINER, FUEL			
11		132010-13930	1	PIPE, FUEL	3*5*180L NBR	Sus. by V471-001200	
11		131312-44330	1	PIPE, 3*5*70L	3*5*70L NBR	Sus. by V471-001200	
11		131312-39130	1	PIPE	3*5*70(+3)NBR	Sus. by V471-001200	

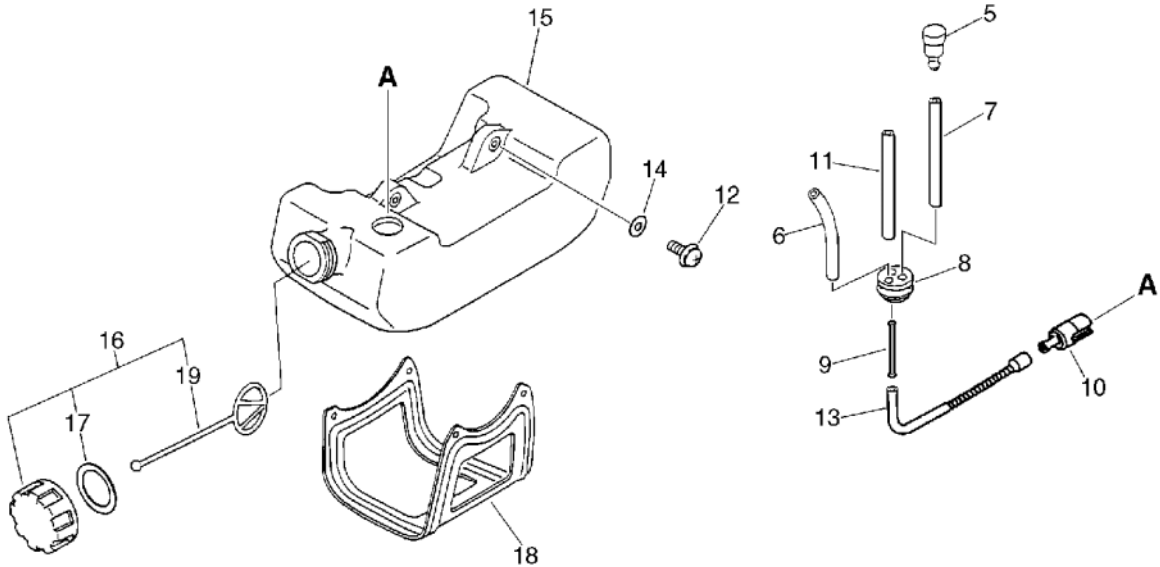
4. Fuel Tank

No.4



KEY	LV	PART NUMBER	Q'TY	DESCRIPTION	REMARKS	NOTE1	NOTE2
11		V471-001200	1	PIPE	3*5*70 NBR		
12		900238-05016	2	SCREW 5*16	5*16		
13		132012-12360	1	PIPE, FUEL			
14		900603-00005	2	WASHER 5	5.5*12*0.8		
15		131005-44330	1	TANK, FUEL		Sus. by 131005-46831	
15		131005-44331	1	TANK, FUEL		Sus. by 131005-46831	
15		131005-46830	1	TANK, FUEL		Sus. by 131005-46831	
15		131005-46831	1	TANK, FUEL			
16		131004-55730	1	CAP ASSY, FUEL TANK		Sus. by 131004-08960	
16		131004-06560	1	CAP ASSY, FUEL TANK		Sus. by 131004-08960	
16		131004-08960	1	CAP ASSY, FUEL			
17	+	131016-40930	1	GASKET, FUEL CAP		Can be used on the 131004-55730 and 131004-06560	
17	+	131016-55830	1	GASKET, FUEL CAP		Can be used on the 131004-08960 only	

4. Fuel Tank
No.4

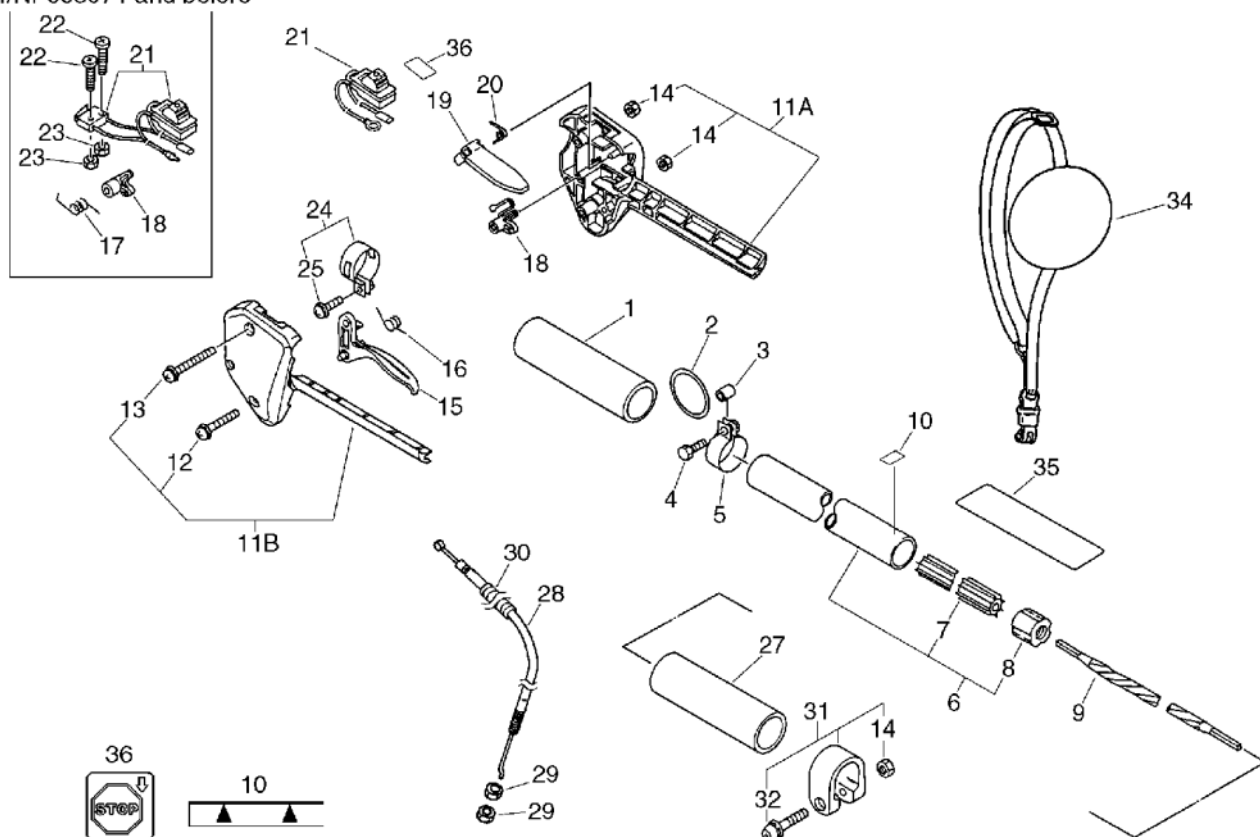


KEY	LV	PART NUMBER	Q'TY	DESCRIPTION	REMARKS	NOTE1	NOTE2
19	+	131051-52430	1	CONNECTOR, CAP	80L	Can be used on the 131004-06560 and 131004-08960	
18		305110-42030	1	STAND (BL)			

5. Handle

No.5

Sr/Nr 003971 and before

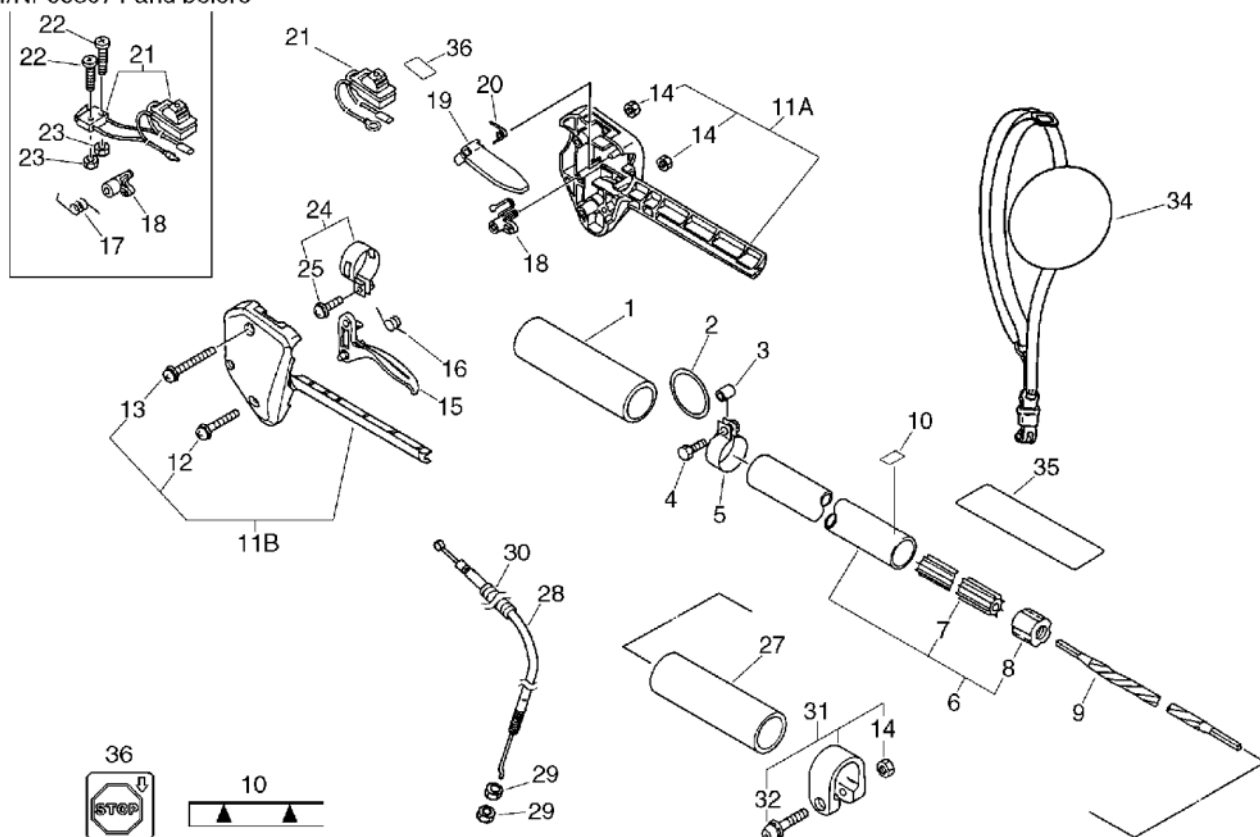


KEY	LV	PART NUMBER	Q'TY	DESCRIPTION	REMARKS	NOTE1	NOTE2
1		351213-52130	1	GRIP			
2		301016-52730	1	RING,HARNESS			
3		699012-03330	1	SPACER			
4		900100-05018	1	BOLT 5*18	5*18		
5		301207-08930	1	HOOK			
6		610206-12360	1	HOUSING ASY, D. SHFT			
7	+	610217-12360	1	LINER, FLEXIBLE			
8	+	610246-44730	2	STOPPER			
9		610013-12360	1	SHAFT, FLEXIBLE			
10		890152-04930	1	LABEL, CAUTION			
11		178003-12360	1	BRACKET SET,THROTTLE		Sr/Nr 003971 and before	
11		178003-52130	1	BRACKET SET,THROTTLE		Sr/Nr 003972 and after	
12	+	900242-05025	1	SCREW 5*25	5*25		
13	+	900242-05035	1	SCREW 5*35	5*35		
14	+	900500-00005	2	NUT 5	5		
15		178010-52130	1	CONTROL, THROTTLE			
16		178043-42230	1	SPRING, THR. RETURN			
17		178043-12360	1	SPRING, THR. RETURN		Sr/Nr 003971 and before	
18		178012-12360	1	LOCKOUT, THROTTLE		Sr/Nr 003971 and before	
18		178012-52630	1	LOCKOUT, THROTTLE		Sus. by 178012-52730	

5. Handle

No.5

Sr/Nr 003971 and before

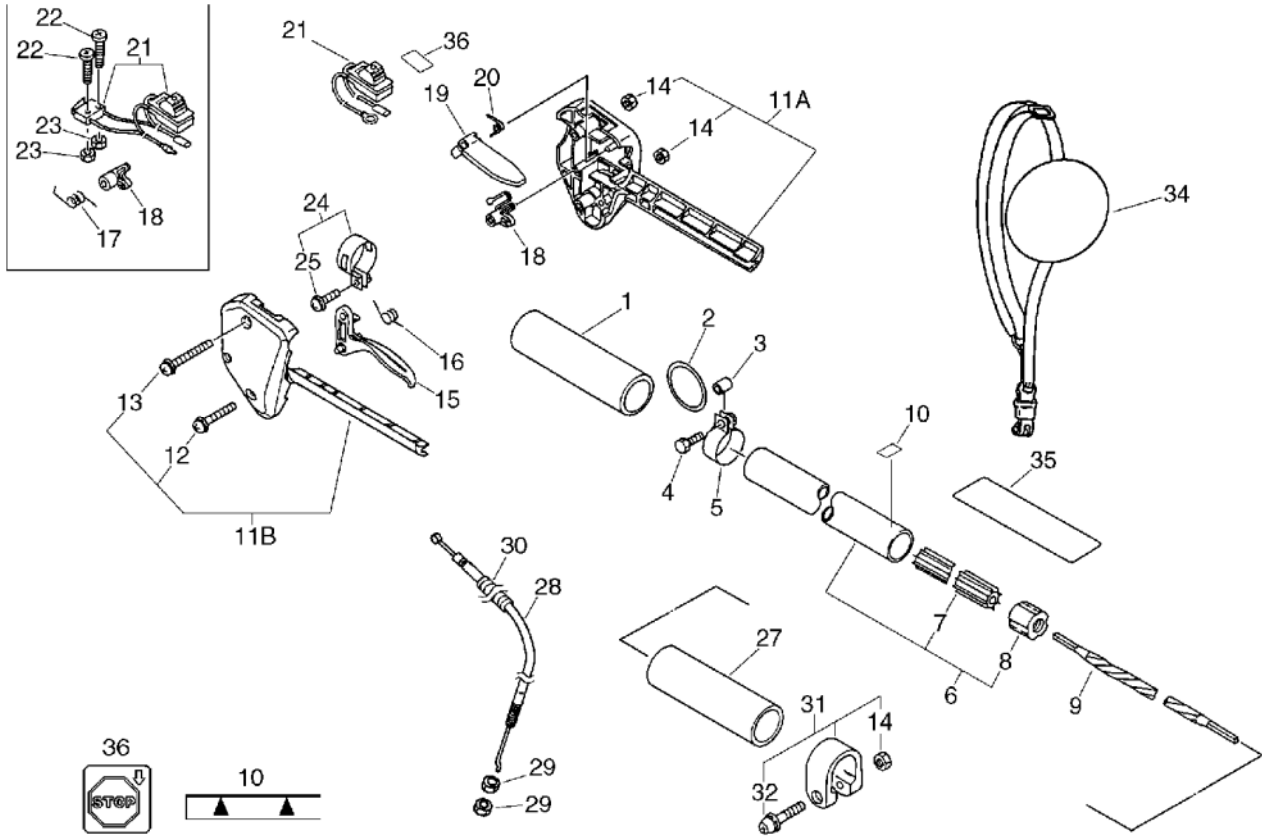


KEY	LV	PART NUMBER	Q'TY	DESCRIPTION	REMARKS	NOTE1	NOTE2
18		178012-52730	1	LOCKOUT, THROTTLE		Sr/Nr 003972 and after	
19		178090-52630	1	LOCKOUT, T. CONTROL		Sus. by 178090-52632	
19		178090-52631	1	LOCKOUT, T. CONTROL		Sus. by 178090-52632	
19		178090-52632	1	LOCKOUT, T. CONTROL			
20		178013-52630	1	SPRING, THR. LOCK			
21		163404-12360	1	SWITCH, IGNITION ASY		Sr/Nr 003971 and before	
21		163401-55631	1	SWITCH, IGNITION		Sr/Nr 003972 and after	
22		900210-02010	2	SCREW, 2*10	+SR2*10	Sr/Nr 003971 and before	
23		900500-00002	2	NUT 2	2	Sr/Nr 003971 and before	
24		301200-29430	1	BAND ASSY			
25	+	900242-05012	1	SCREW 5*12	5*12	Sus. by 900242-05014	
25	+	900242-05014	1	SCREW 5*14	5*14		
27		351012-54330	1	GRIP			
28		178001-44430	1	WIRE, THROTTLE		Sus. by 178001-56730	
28		178001-56730	1	CABLE, THROTTLE			
29		900502-00006	2	NUT 6 (3N)	3N6		
30		178127-50330	1	TUBE	10*11*140		

5. Handle

No.5

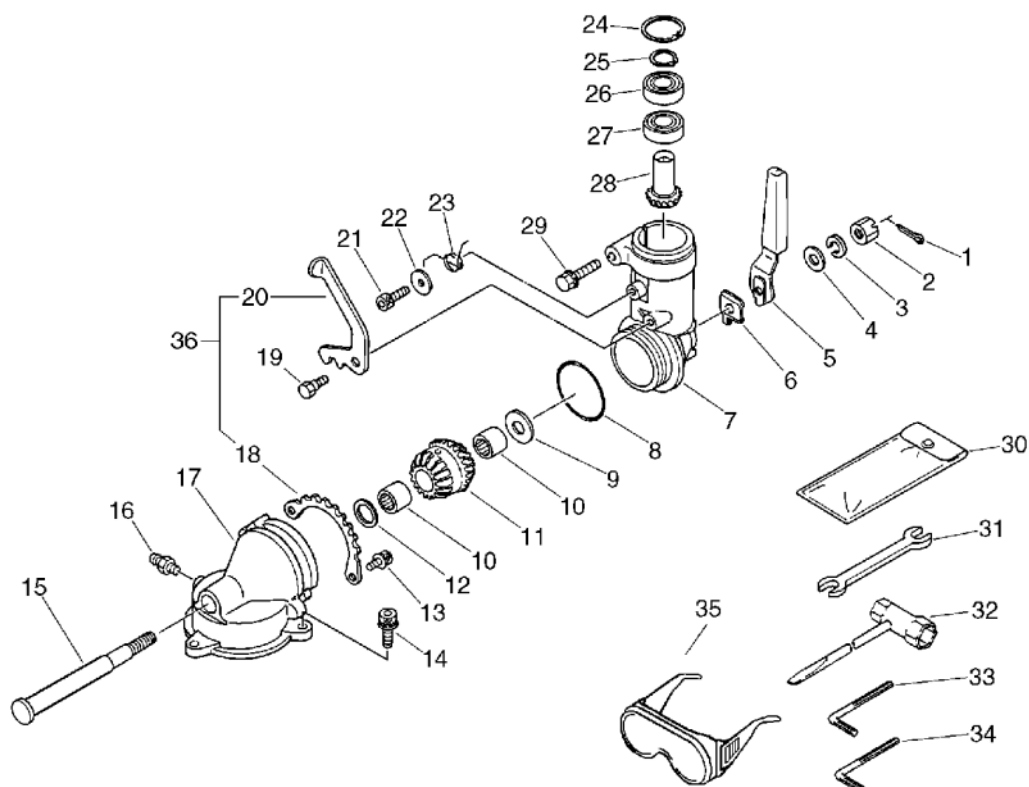
Sr/Nr 003971 and before



KEY	LV	PART NUMBER	Q'TY	DESCRIPTION	REMARKS	NOTE1	NOTE2
31		610272-52130	1	BAND			
14	+	900500-00005	1	NUT 5	5		
32	+	900242-05028	1	SCREW 5*28	5*28		
34		301000-52731	1	HARNESS, SHOULDER		Sus. by C062-000100	
34		C062-000100	1	HARNESS, SHOULDER			
35		890617-12360	1	LABEL, CAUTION		Sus. by 890617-12361	
35		890617-12361	1	LABEL, CAUTION			
36		890157-39130	1	LABEL, SWITCH			

6. Gear Case, Tools

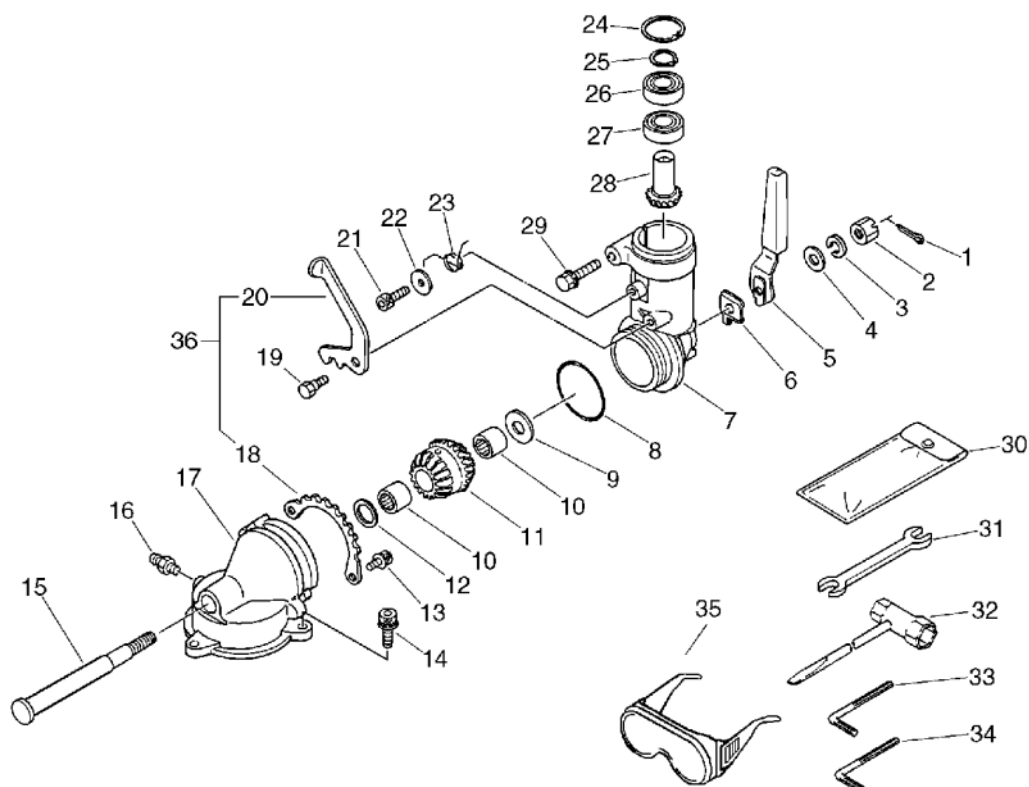
No.6



KEY	LV	PART NUMBER	Q'TY	DESCRIPTION	REMARKS	NOTE1	NOTE2
1		900300-16016	1	PIN, SPLIT 1.6*16	1.6*16		
2		900529-00006	1	NUT 6	6		
3		900605-00006	1	WASHER, SPRING 6	6		
4		403720-07350	1	WASHER, SLUST			
5		190511-12360	1	PIECE,LEVER		Sus. by 190511-12362	
5		190511-12361	1	PIECE,LEVER		Sus. by 190511-12362	
5		190511-12362	1	PIECE,LEVER			
6		610478-12360	1	PLATE, ANGLE		Sus. by 610478-12361	
6		610478-12361	1	PLATE, ANGLE			
7		610410-12360	1	CASE, GEAR		Sus. by 610410-12361	
7		610410-12361	1	CASE, GEAR			
8		900724-00032	1	O-RING	S-32		
9		100132-06720	1	WASHER 8.5*18*2	8.5*18*2	Sr/Nr 017687 and before	
9		610350-12360	1	WASHER		Sr/Nr 017688 and after	
10		100113-11520	2	BEARING, NEEDLE	10*14*10		
11		610361-12360	1	GEAR, BEVEL			
12		610317-12360	1	WASHER, ADJUSTMENT		Sus. by 610317-12460	
12		610317-12460	1	WASHER,CIRCULAR 10			
13		900162-04010	2	BOLT, H.S. 4*10	4*10 W,SW		

6. Gear Case, Tools

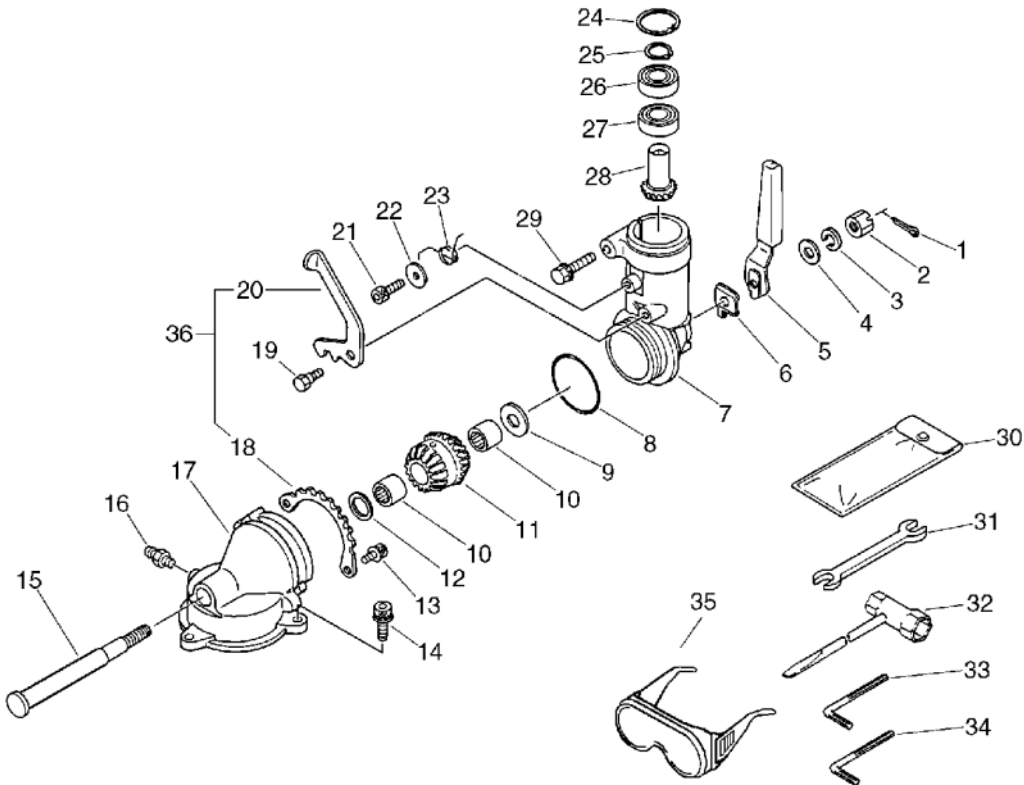
No.6



KEY	LV	PART NUMBER	Q'TY	DESCRIPTION	REMARKS	NOTE1	NOTE2
14		900162-05018	3	BOLT, H.S. 5*18	5*18 W,SW		
15		610310-12360	1	SHAFT, P.T.O.			
16		880110-10860	2	NIPPLE, GREASE			
17		610431-12360	1	LID, GEAR CASE			
18		610470-12360	1	RESETTER, LATCH		Sus. by P021-000850	
36		P021-000850	1	LATCH RESETTER SET			
18	+	610470-12361	1	RESETTER, LATCH		Sr/Nr 017688 and after	
20	+	610472-12361	1	PAWL		Sr/Nr 017688 and after	
19		610474-12360	1	BOLT 5			
20		610472-12360	1	PAWL		Sus. by P021-000850	
21		900162-05014	1	BOLT, H.S. 5*14	5*14 W,SW		
22		900603-00005	1	WASHER 5	5.5*12*0.8		
23		178013-12360	1	SPRING, THR. LOCK			
24		900702-00022	1	CIRCLIP 22	CR-22		
25		900706-00010	1	CIRCLIP 10	WR-10		
26		900858-06900	1	BEARING, BALL 6900Z	6900Z		
27		900855-06900	1	BEARING, BALL 6900	6900		
28		610311-12360	1	GEAR, DRIVE			
29		900142-05035	1	BOLT 5*35 (W/W,SW)	5*35		
30		898510-39130	1	BAG, TOOL			
31		895112-00330	1	SPANNER 8*10			

6. Gear Case, Tools

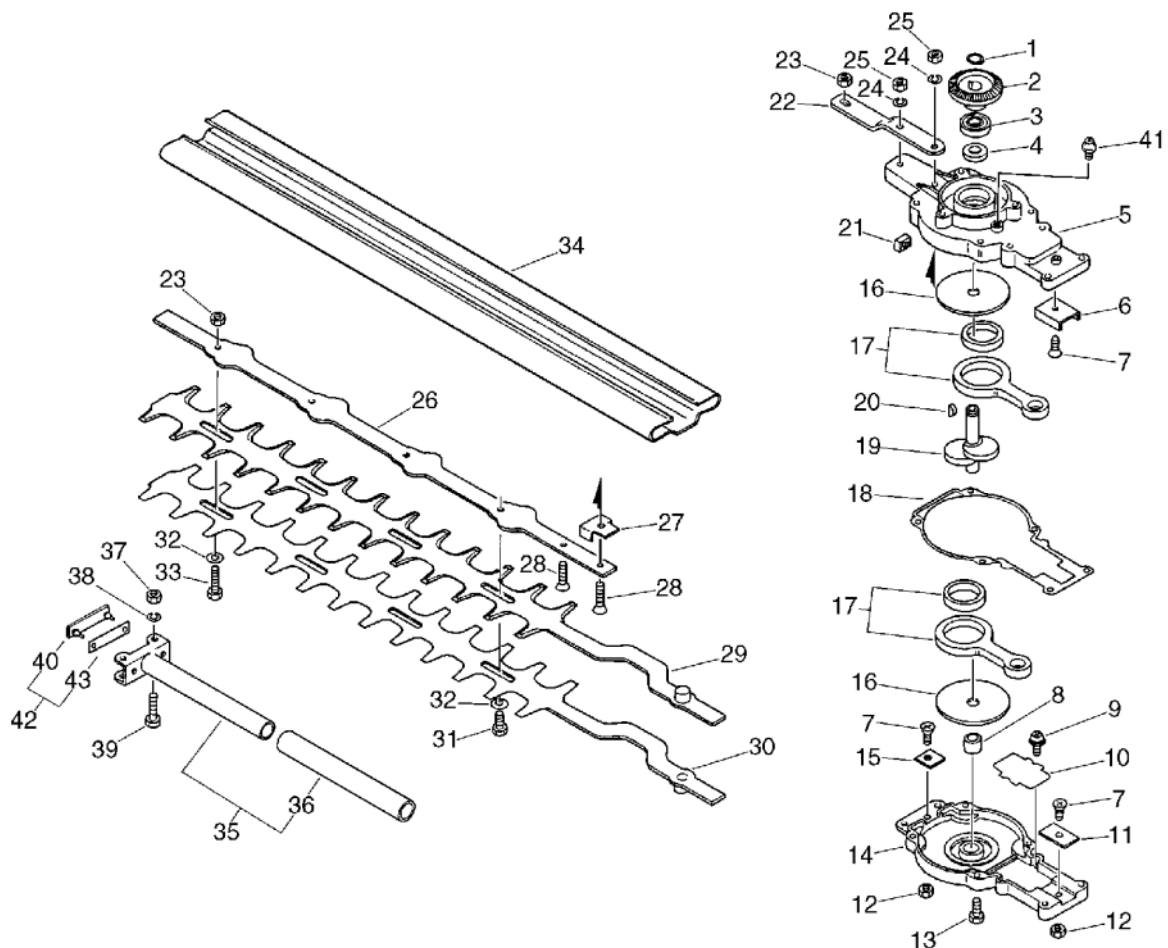
No.6



KEY	LV	PART NUMBER	Q'TY	DESCRIPTION	REMARKS	NOTE1	NOTE2
32		895410-08030	1	WRENCH, W/S. DRIVER		Sus. by X602-000020	
32		X602-000020	1	TOOL,WRENCH	17*19 L200		
33		895612-03430	1	L-WRENCH (3MM)			
34		895610-00130	1	L-WRENCH (4MM)			
35		899580-40930	1	GOGGLE		Sus. by P021-002861	
35		899580-68730	1	SAFETY GLASSES		Sus. by P021-002861	
35		X690-000030	1	GOGGLE		Sus. by P021-002861	
35		P021-002861	1	GOGGLES			

7. Cutter

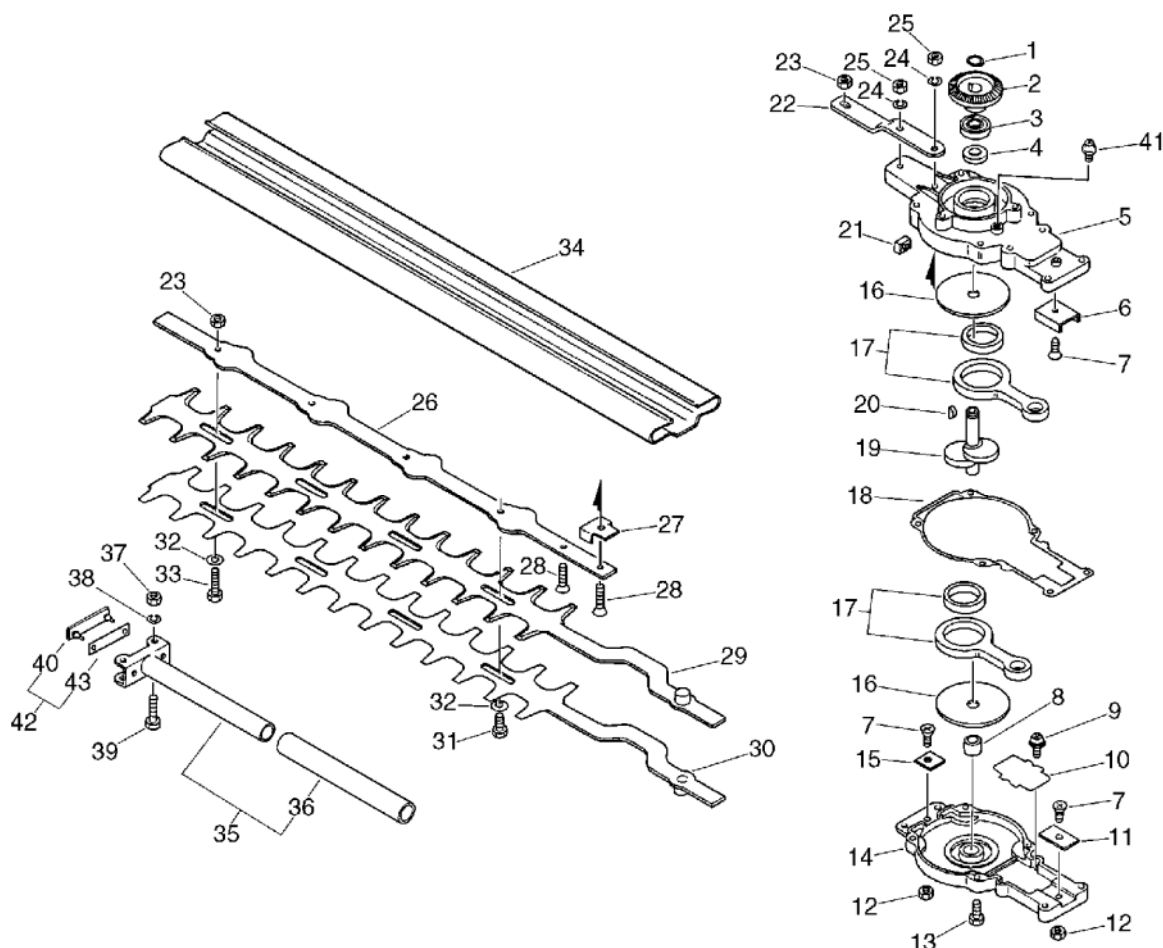
No.7



KEY	LV	PART NUMBER	Q'TY	DESCRIPTION	REMARKS	NOTE1	NOTE2
		610403-12361	1	CASE ASY, GEAR		Sus. by 610403-12362	
		610403-12362	1	CASE ASY, GEAR			
1	+	900701-00010	1	CIRCLIP 10	CS-10		
2	+	610312-12360	1	GEAR, SPUR			
3	+	900800-06000	1	BEARING, BALL 6000	6000		
4	+	100213-05930	1	OILSEAL	IS 10*20*5		
5	+	610420-12360	1	CASE, GEAR		Sus. by 610420-12361	
5	+	610420-12361	1	CASE, GEAR			
6	+	610441-54030	1	GUIDE			
7	+	900212-04008	3	SCREW 4*8	+SF4*8		
9	+	900242-03006	4	SCREW 3*6	3*6		
10	+	610424-54030	2	PLATE, SIDE			
11	+	610447-54030	1	PLATE, EYE			
12	+	900500-00004	2	NUT 4	4		
13	+	900142-05020	4	BOLT 5*20 (W/W,SW)	5*20		
14	+	610409-54030	1	COVER ASSY		Sus. by 610409-54031	
14	+	610409-54031	1	CASE, CAM			
8	++	160616-05410	1	COLLAR			
15	+	610450-54030	1	PLATE, GUIDE			
16	+	610462-54030	2	PLATE, SIDE			
17	+	610805-54030	2	BAR, OPERATION			
18	+	V110-000000	1	GASKET,GEAR CASE			
19	+	610344-12360	1	CAM			

7. Cutter

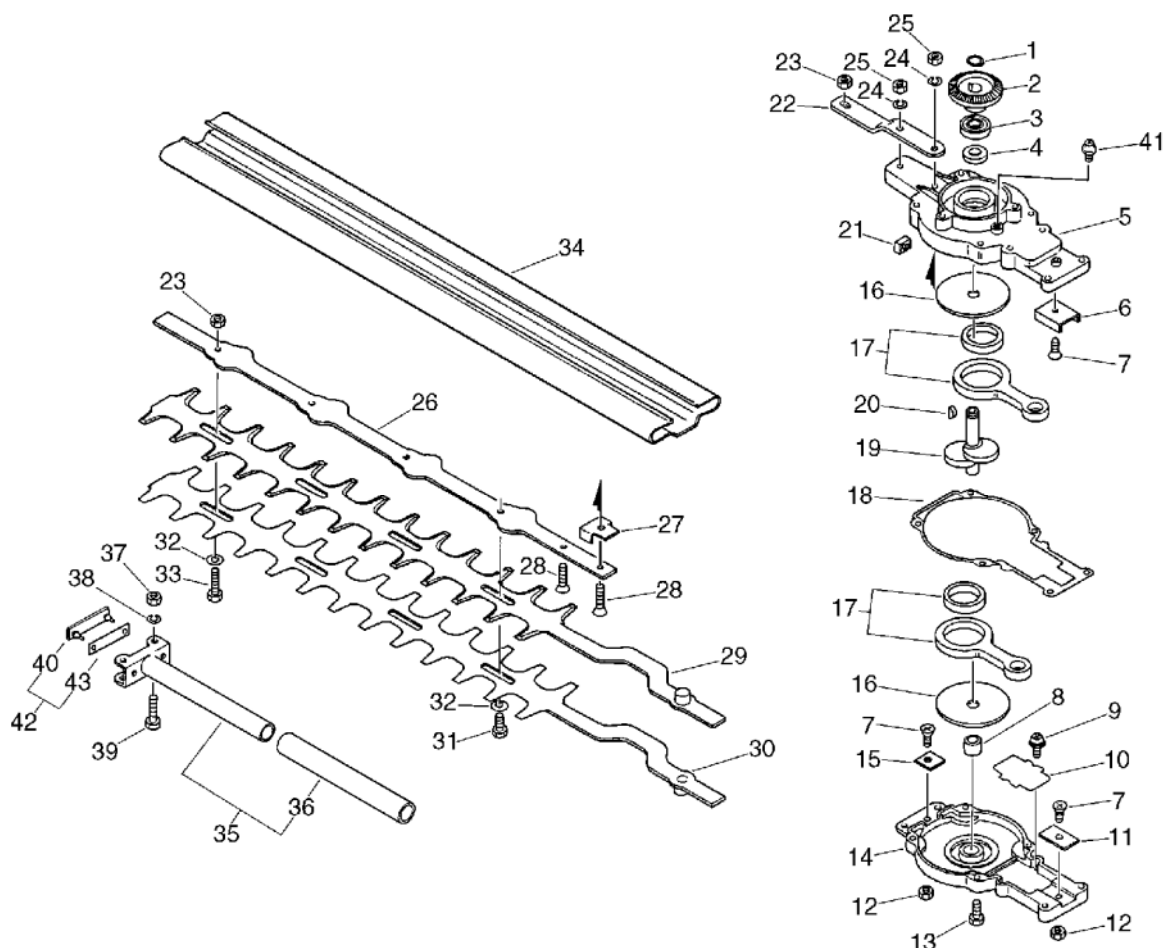
No.7



KEY	LV	PART NUMBER	Q'TY	DESCRIPTION	REMARKS	NOTE1	NOTE2
20	+	610325-02730	1	KEY, WOODRUFF			
21	+	610426-54030	2	SEAL			
22	+	699110-12360	1	SUPPORT, CUTTER			
23	+	433022-06460	4	NUT			
24	+	900605-00005	2	WASHER, SPRING 5	5		
25	+	900500-00005	2	NUT 5	5		
26	+	X425-000070	1	SUPPORT,CUTTER		Sus. by 699117-12360	
26	+	699117-12360	1	SUPPORT, CUTTER			
27	+	610440-54030	1	PLATE, ANGLE			
28	+	900212-05020	2	SCREW 5*20	+SF5*20		
29	+	697005-12360	1	CUTTER		Sus. by X411-000490	
29	+	697005-12361	1	CUTTER		Sus. by X411-000490	
29	+	X411-000120	1	CUTTER	DUAL L470 T2.5	Sus. by X411-000490	
29	+	X411-000490	1	CUTTER	L= 624		
30	+	697006-12360	1	CUTTER		Sus. by X411-000500	
30	+	697006-12361	1	CUTTER		Sus. by X411-000500	
30	+	X411-000130	1	CUTTER	DUAL L470 T2.5	Sus. by X411-000500	
30	+	X411-000500	1	CUTTER	L= 624		
31	+	699115-07760	1	BOLT, CUTTER			

7. Cutter

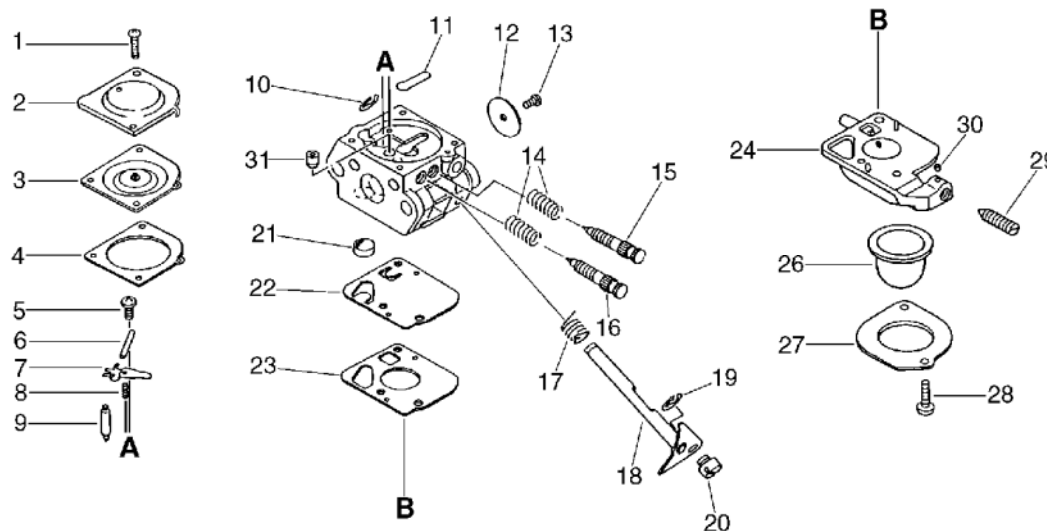
No.7



KEY	LV	PART NUMBER	Q'TY	DESCRIPTION	REMARKS	NOTE1	NOTE2
32	+	699118-04560	4	WASHER			
33	+	699115-04560	3	BOLT, CUTTER			
34	+	898523-12360	1	SCABBARD, BLADE			
35	+	351305-12360	1	HANDLE			
36	++	351315-12360	1	GRIP, HANDLE	19*135		
37	+	900500-00005	2	NUT 5	5		
38	+	900605-00005	2	WASHER, SPRING 5	5		
39	+	900142-05025	2	BOLT 5*25 (W/W,SW)	5*25		
41	+	880110-10860	1	NIPPLE, GREASE			
40	+	610426-12360	1	SEAL		Sus. by V150-000311	
42	+	V150-000310	1	PLATE,EYE		Sus. by V150-000311	
42	+	V150-000311	1	PLATE,EYE			
40	++	610426-12361	1	SEAL		Sus. by 610426-12362	
40	++	610426-12362	1	SEAL		Sr/Nr 022386 and after	
43	++	V150-000300	1	PLATE,EYE		Sr/Nr 022386 and after	

8. Carburetor(Sr/Nr 05909 and before)

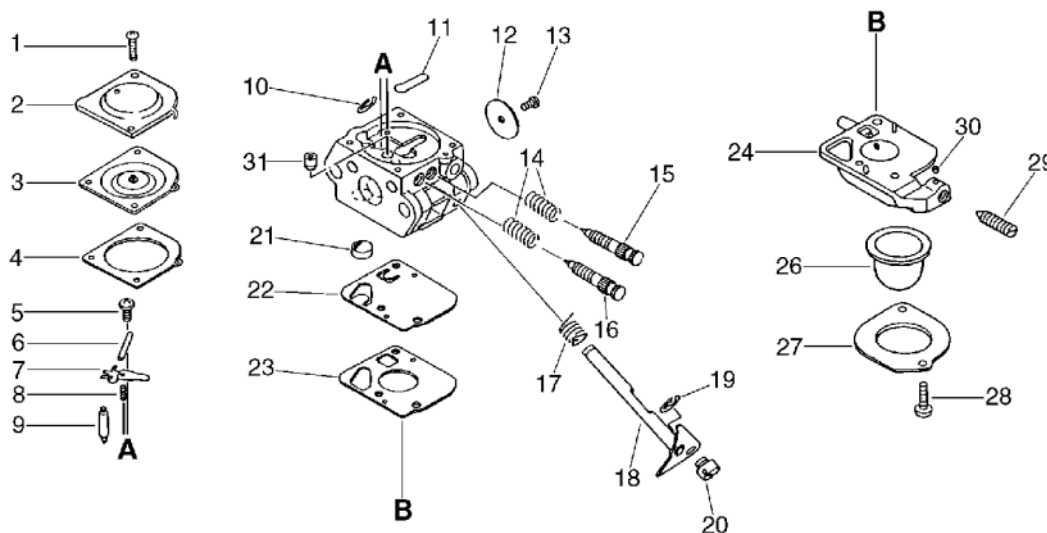
No.8



KEY	LV	PART NUMBER	Q'TY	DESCRIPTION	REMARKS	NOTE1	NOTE2
		125200-52131	1	CARBURETOR ASSY	C1U-K23B	Sr/Nr 05909 and before	
1	+	125344-52130	2	SCREW			
2	+	125342-13210	1	COVER, DIAPHRAGM			
3	+	125341-42030	1	DIAPHRAGM			
4	+	125340-51030	1	GASKET, DIAPHRAGM			
5	+	125339-42030	1	SCREW			
6	+	125338-13930	1	PIN, METERING ARM			
7	+	125323-42030	1	LEVER, METERING			
8	+	125322-42030	1	SPRING, COIL			
9	+	125337-06960	1	VALVE, INLET NEEDLE			
10	+	125327-13930	1	CLIP			
11	+	125345-51030	1	PLUG, WELCH			
12	+	125316-42030	1	VALVE, THROTTLE			
13	+	125314-13930	1	SCREW	3*4		
14	+	125319-42030	2	SPRING, COIL			
15	+	125318-51030	1	NEEDLE, IDLE			
16	+	125320-51230	1	NEEDLE, HIGH SPEED			
17	+	125313-42030	1	SPRING, THRT. RETURN			
18	+	125317-42030	1	SHAFT, THROTTLE			
19	+	125327-15130	1	CLIP			
20	+	125372-42030	1	SWIVEL			
21	+	125326-42030	1	STRAINER			
22	+	125312-12820	1	DIAPHRAGM, FUEL PUMP			
23	+	125325-42030	1	GASKET, FUEL PUMP		Sus. by 125325-13310	

8. Carburetor(Sr/Nr 05909 and before)

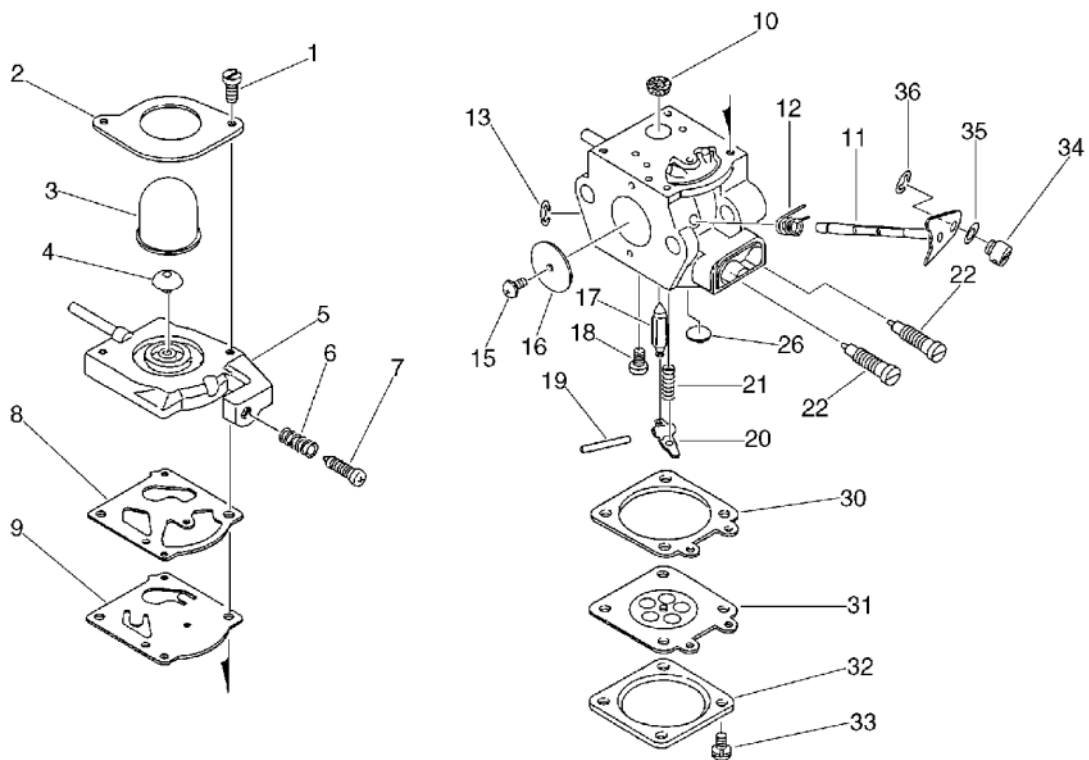
No.8



KEY	LV	PART NUMBER	Q'TY	DESCRIPTION	REMARKS	NOTE1	NOTE2
23	+	125325-13310	1	GASKET, PUMP			
24	+	125324-11610	1	COVER, PUMP		Sus. by 125383-13310	
24	+	125383-13310	1	BASE, PRIMER			
26	+	125381-46730	1	PUMP, PRIMING		Sus. by 125381-08660	
26	+	125381-08660	1	PUMP, PRIMING			
27	+	125363-11610	1	RING			
28	+	125310-11610	2	SCREW			
29	+	125334-13930	1	SCREW, IDLE ADJUST			
30	+	125378-13930	1	PIECE, FRICTION			
31	+	125376-51030	1	NOZZLE, CHECK VALVE			

9. Carburetor(Sr/Nr 005910 and after)

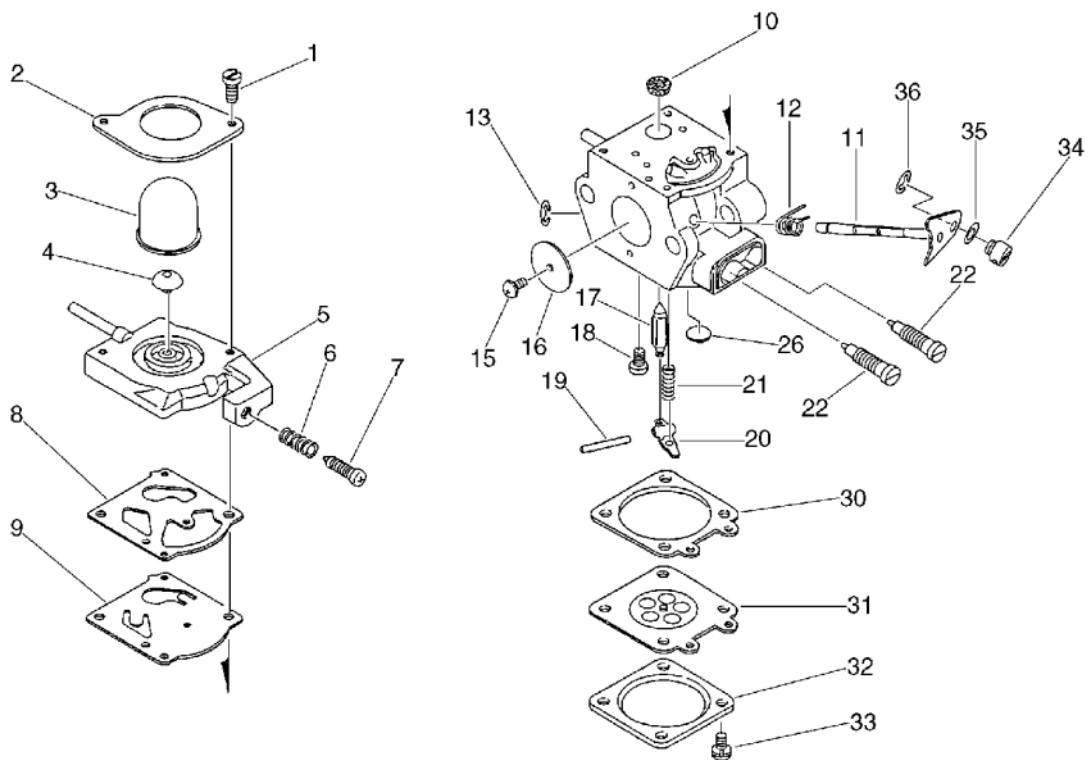
No.9



KEY	LV	PART NUMBER	Q'TY	DESCRIPTION	REMARKS	NOTE1	NOTE2
		123000-52130	1	CARBURETOR ASSY	WT-424	Sus. by 123000-52133	
		123000-52131	1	CARBURETOR ASSY	WT-424A	Sus. by 123000-52133	
		123000-52132	1	CARBURETOR ASSY	WT424B	Sus. by 123000-52133	
		123000-52133	1	CARBURETOR WT-424C	WT-424C	Sr/Nr 005910 and after	
1	+	123110-43130	2	SCREW			
2	+	123142-09560	1	COVER, PRIMER PUMP			
3	+	123181-09560	1	PUMP, PRIMER			
4	+	123171-35630	1	VALVE, CHECK			
5	+	123124-43230	1	COVER, FUEL PUMP			
6	+	123133-04260	1	SPRING, IDLE ADJUST			
7	+	123134-04260	1	SCREW, IDLE ADJUST			
8	+	123125-09560	1	GASKET, FUEL PUMP			
9	+	123112-09560	1	DIAPHRAGM, FUEL PUMP			
10	+	123126-10631	1	SCREEN, INLET			
11	+	123117-52130	1	SHAFT, THROTTLE			
12	+	123113-52130	1	SPRING, THE.RTN			
13	+	123127-15030	1	RING			
15	+	123114-03930	1	SCREW		Can be used on 123000-52130 only	

9. Carburetor(Sr/Nr 005910 and after)

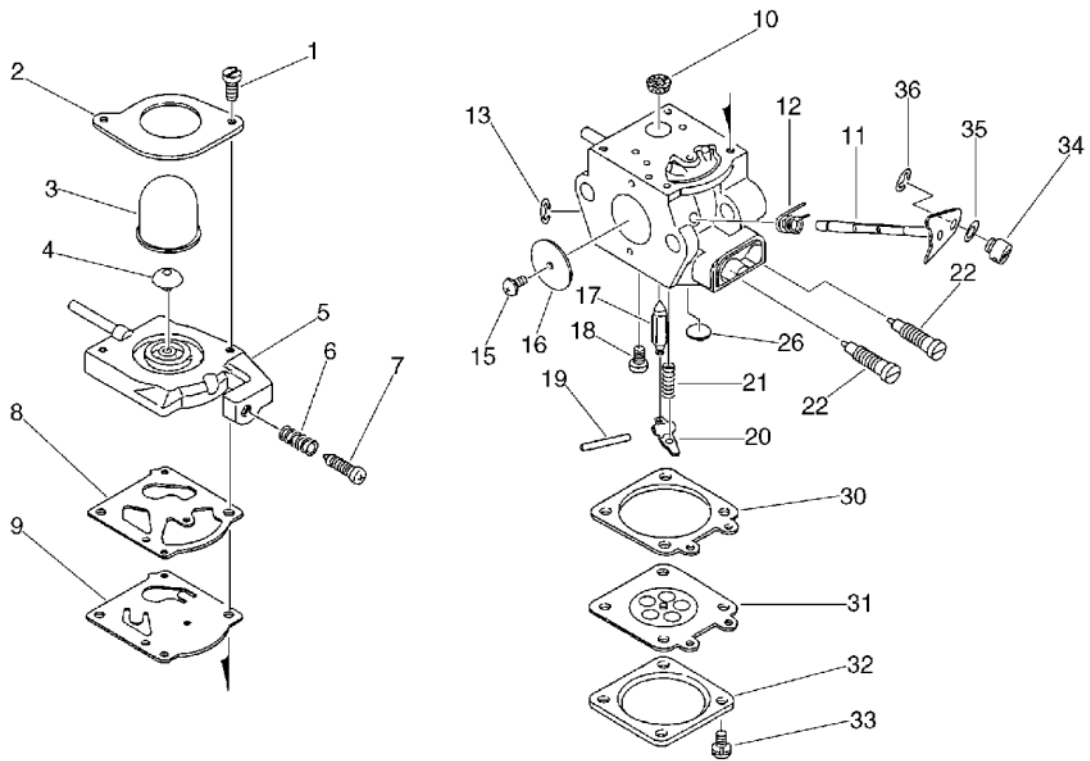
No.9



KEY	LV	PART NUMBER	Q'TY	DESCRIPTION	REMARKS	NOTE1	NOTE2
15	+	123114-38830	1	SCREW		Can be used on 123000-52131, -52132, -52133	
16	+	123116-52130	1	VALVE, THROTTLE		Can be used on 123000-52130 only	
16	+	123116-53130	1	VALVE, THROTTLE		Can be used on 123000-52131, -52132, -52133	
17	+	123137-19830	1	VALVE, INLET NEEDLE			
18	+	123139-03930	1	SCREW, M. LEVER PIN			
19	+	123138-03930	1	PIN, METERING LEVER			
20	+	123123-03930	1	LEVER, METERING			
21	+	123122-39330	1	SPRING, METER. LEVER			
22	+	123120-52130	2	NEEDLE, HIGH SPEED		Can be used on 123000-52130, 123000-52131	
22	+	123120-52131	2	NEEDLE, HIGH SPEED		Can be used on 123000-52132, 123000-52133	
26	+	123146-10631	1	PLUG, WELCH			
30	+	123140-03930	1	GASKET, M. DIAPHRAGM			

9. Carburetor(Sr/Nr 005910 and after)

No.9



KEY	LV	PART NUMBER	Q'TY	DESCRIPTION	REMARKS	NOTE1	NOTE2
31	+	123141-03930	1	DIAPHRAGM, METERING			
32	+	123142-03930	1	COVER, M. DIAPHRAGM			
33	+	123130-02960	4	SCREW			
34	+	123172-26030	1	SWIVEL			
35	+	123149-26030	1	WASHER			
36	+	123173-07930	1	CLIP			

Index

Patrs Number	Key No.	Patrs Number	Key No.	Patrs Number	Key No.
100000-09561	1 - 8	123124-43230	9 - 5	125372-42030	8 - 20
100000-09562	1 - 8	123125-09560	9 - 8	125376-51030	8 - 31
100000-09563	1 - 8	123126-10631	9 - 10	125378-13930	8 - 30
100011-09560	1 - 9	123127-15030	9 - 13	125381-08660	8 - 26
100011-09560	1 - 9	123130-02960	9 - 33	125381-46730	8 - 26
100012-51230	1 - 3	123133-04260	9 - 6	125383-13310	8 - 24
100013-11520	1 - 10	123134-04260	9 - 7	129011-52130	3 - 14
100014-11520	1 - 12	123137-19830	9 - 17	129011-52131	3 - 14
100015-04630	1 - 11	123138-03930	9 - 19	130010-05960	3 - 7
100015-04630	1 - 11	123139-03930	9 - 18	130010-42032	3 - 3
100100-44732	1 - 17	123140-03930	9 - 30	130016-42031	3 - 7
100100-52131	1 - 17	123141-03930	9 - 31	130017-42031	3 - 6
100113-11520	6 - 10	123142-03930	9 - 32	130301-51730	3 - 11
100132-06720	6 - 9	123142-09560	9 - 2	130302-51731	3 - 18
100204-52130	1 - 14	123146-10631	9 - 26	130302-52130	3 - 18
100204-52131	1 - 14	123149-26030	9 - 35	130302-52131	3 - 18
100204-52132	1 - 14	123171-35630	9 - 4	130310-51830	3 - 16
100212-42030	1 - 13	123172-26030	9 - 34	130314-51730	3 - 11
100212-42031	1 - 13	123173-07930	9 - 36	130406-16331	3 - 20
100213-05930	7 - 4	123181-09560	9 - 3	130406-52130	3 - 20
100215-03930	1 - 15	125200-52131	3 - 8	130406-52131	3 - 20
100242-42030	1 - 18	125200-52131	8 -	131004-06560	4 - 16
101003-08960	1 - 4	125310-11610	8 - 28	131004-08960	4 - 16
101010-44332	1 - 7	125312-12820	8 - 22	131004-55730	4 - 16
101011-08960	1 - 5	125313-42030	8 - 17	131005-44330	4 - 15
101011-08961	1 - 5	125314-13930	8 - 13	131005-44331	4 - 15
101011-09560	1 - 5	125316-42030	8 - 12	131005-46830	4 - 15
101503-52131	1 - 25	125317-42030	8 - 18	131005-46831	4 - 15
101514-48930	1 - 23	125318-51030	8 - 15	131016-40930	4 - 17
123000-52130	3 - 8	125319-42030	8 - 14	131016-55830	4 - 17
123000-52130	9 -	125320-51230	8 - 16	131051-52430	4 - 19
123000-52131	3 - 8	125322-42030	8 - 8	131205-07320	4 - 10
123000-52131	9 -	125323-42030	8 - 7	131205-50430	4 - 10
123000-52132	3 - 8	125324-11610	8 - 24	131300-40630	4 - 5
123000-52132	9 -	125325-13310	8 - 23	131300-56430	4 - 5
123000-52133	3 - 8	125325-42030	8 - 23	131312-39130	4 - 7
123000-52133	9 -	125326-42030	8 - 21	131312-39130	4 - 11
123110-43130	9 - 1	125327-13930	8 - 10	131312-44330	4 - 7
123112-09560	9 - 9	125327-15130	8 - 19	131312-44330	4 - 11
123113-52130	9 - 12	125334-13930	8 - 29	132010-13930	4 - 11
123114-03930	9 - 15	125337-06960	8 - 9	132010-56330	4 - 6
123114-38830	9 - 15	125338-13930	8 - 6	132011-03360	4 - 9
123116-52130	9 - 16	125339-42030	8 - 5	132012-12360	4 - 13
123116-53130	9 - 16	125340-51030	8 - 4	132012-51030	4 - 6
123117-52130	9 - 11	125341-42030	8 - 3	132115-46730	4 - 8
123120-52130	9 - 22	125342-13210	8 - 2	145510-42031	3 - 32
123120-52131	9 - 22	125344-52130	8 - 1	145510-42032	3 - 32
123122-39330	9 - 21	125345-51030	8 - 11	145631-42030	3 - 23
123123-03930	9 - 20	125363-11610	8 - 27	145642-04930	3 - 25

Index

Patrs Number	Key No.	Patrs Number	Key No.	Patrs Number	Key No.
145802-21560	3 - 27	178090-52632	5 - 19	610441-54030	7 - 6
145818-52130	3 - 29	178127-50330	5 - 30	610447-54030	7 - 11
145862-40630	3 - 33	178510-51730	3 - 9	610450-54030	7 - 15
145863-42030	3 - 29	178515-05060	3 - 13	610462-54030	7 - 16
145866-42031	3 - 28	178516-00830	3 - 12	610470-12360	6 - 18
145876-42030	3 - 30	178810-05230	3 - 10	610470-12361	6 - 18
156112-40630	2 - 13	190511-12360	6 - 5	610472-12360	6 - 20
156601-06961	2 - 9	190511-12361	6 - 5	610472-12361	6 - 20
156626-52630	2 - 9	190511-12362	6 - 5	610474-12360	6 - 19
156801-44731	2 - 7	301000-52731	5 - 34	610478-12360	6 - 6
159010-10230	2 - 12	301016-52730	5 - 2	610478-12361	6 - 6
159011-03432	2 - 11	301200-29430	5 - 24	610805-54030	7 - 17
159012-03433	2 - 10	301207-08930	5 - 5	610903-55230	1 - 39
159912-54130	1 - 22	305110-42030	4 - 18	610910-55230	1 - 37
160616-05410	7 - 8	351012-54330	5 - 27	610922-27432	1 - 41
162010-52830	2 - 15	351213-52130	5 - 1	610923-55230	1 - 40
162021-52130	2 - 15	351305-12360	7 - 35	697005-12360	7 - 29
163401-55631	5 - 21	351315-12360	7 - 36	697005-12361	7 - 29
163404-12360	5 - 21	403720-07350	6 - 4	697006-12360	7 - 30
175000-42031	2 - 6	433022-06460	7 - 23	697006-12361	7 - 30
175000-49030	2 - 6	610013-12360	5 - 9	699012-03330	5 - 3
175000-56830	2 - 6	610206-12360	5 - 6	699110-12360	7 - 22
175005-48930	1 - 33	610217-12360	5 - 7	699115-04560	7 - 33
175005-48931	1 - 33	610246-44730	5 - 8	699115-07760	7 - 31
177200-42033	2 - 26	610272-52130	5 - 31	699117-12360	7 - 26
177202-44330	2 - 20	610310-12360	6 - 15	699118-04560	7 - 32
177202-44331	2 - 20	610311-12360	6 - 28	880110-10860	6 - 16
177215-44430	2 - 29	610312-12360	7 - 2	880110-10860	7 - 41
177218-44330	2 - 24	610317-12360	6 - 12	890115-12360	1 - 24
177220-42030	2 - 33	610317-12460	6 - 12	890118-49130	2 - 36
177226-10120	2 - 30	610325-02730	7 - 20	890121-47530	3 - 17
177227-42030	2 - 31	610344-12360	7 - 19	890152-04930	5 - 10
177228-06530	2 - 32	610350-12360	6 - 9	890157-39130	5 - 36
177234-42030	2 - 23	610361-12360	6 - 11	890617-12360	5 - 35
177236-44330	2 - 27	610403-12361	7 -	890617-12361	5 - 35
178001-44430	5 - 28	610403-12362	7 -	895112-00330	6 - 31
178001-56730	5 - 28	610409-54030	7 - 14	895410-08030	6 - 32
178003-12360	5 - 11	610409-54031	7 - 14	895610-00130	6 - 34
178003-52130	5 - 11	610410-12360	6 - 7	895612-03430	6 - 33
178010-52130	5 - 15	610410-12361	6 - 7	898510-39130	6 - 30
178012-12360	5 - 18	610420-12360	7 - 5	898523-12360	7 - 34
178012-52630	5 - 18	610420-12361	7 - 5	899580-40930	6 - 35
178012-52730	5 - 18	610424-54030	7 - 10	899580-68730	6 - 35
178013-12360	6 - 23	610426-12360	7 - 40	900100-05018	5 - 4
178013-52630	5 - 20	610426-12361	7 - 40	900105-05055	3 - 26
178043-12360	5 - 17	610426-12362	7 - 40	900142-05020	7 - 13
178043-42230	5 - 16	610426-54030	7 - 21	900142-05025	1 - 42
178090-52630	5 - 19	610431-12360	6 - 17	900142-05025	7 - 39
178090-52631	5 - 19	610440-54030	7 - 27	900142-05035	6 - 29

Index

Patrs Number	Key No.	Patrs Number	Key No.	Patrs Number	Key No.
900162-04010	6 - 13	900800-06000	7 - 3		
900162-04016	1 - 20	900807-06001	1 - 35		
900162-04016	1 - 26	900807-96001	1 - 35		
900162-04016	2 - 35	900810-36201	1 - 16		
900162-04022	2 - 8	900855-06900	6 - 27		
900162-05014	6 - 21	900858-06900	6 - 26		
900162-05018	6 - 14	94035-36201	1 - 16		
900162-05022	1 - 6	A011-000100	1 - 17		
900162-05028	1 - 19	A011-000101	1 - 17		
900163-04016	1 - 20	A320-000250	3 - 23		
900163-04016	1 - 26	A320-000251	3 - 23		
900163-04016	2 - 35	A356-000030	4 - 5		
900210-02010	5 - 22	C062-000100	5 - 34		
900212-04008	7 - 7	P021-000850	6 - 36		
900212-05020	7 - 28	P021-002861	6 - 35		
900238-05016	1 - 21	P021-008940	3 - 27		
900238-05016	4 - 12	V104-000160	3 - 32		
900238-05020	3 - 5	V110-000000	7 - 18		
900242-03006	7 - 9	V137-000030	4 - 8		
900242-04010	3 - 31	V150-000300	7 - 43		
900242-05012	5 - 25	V150-000310	7 - 42		
900242-05014	5 - 25	V150-000311	7 - 42		
900242-05025	5 - 12	V471-001200	4 - 7		
900242-05028	5 - 32	V471-001200	4 - 11		
900242-05035	5 - 13	V553-000010	1 - 3		
900242-05057	3 - 15	X411-000120	7 - 29		
900300-16016	6 - 1	X411-000130	7 - 30		
900500-00002	5 - 23	X411-000490	7 - 29		
900500-00004	7 - 12	X411-000500	7 - 30		
900500-00005	3 - 4	X425-000070	7 - 26		
900500-00005	5 - 14	X602-000020	6 - 32		
900500-00005	5 - 14	X690-000030	6 - 35		
900500-00005	7 - 25				
900500-00005	7 - 37				
900502-00006	5 - 29				
900529-00006	6 - 2				
900600-00005	3 - 21				
900603-00005	4 - 14				
900603-00005	6 - 22				
900605-00005	7 - 24				
900605-00005	7 - 38				
900605-00006	6 - 3				
900701-00010	7 - 1				
900701-00012	1 - 36				
900702-00022	6 - 24				
900702-00028	1 - 34				
900706-00010	6 - 25				
900720-00003	3 - 19				
900724-00032	6 - 8				

YAMABIKO CORPORATION

7-2 SUEHIROCHO 1-CHOME, OHME, TOKYO 198-8760, JAPAN
PHONE: 81-428-32-6118. FAX: 81-428-32-6145.



2400
No.