



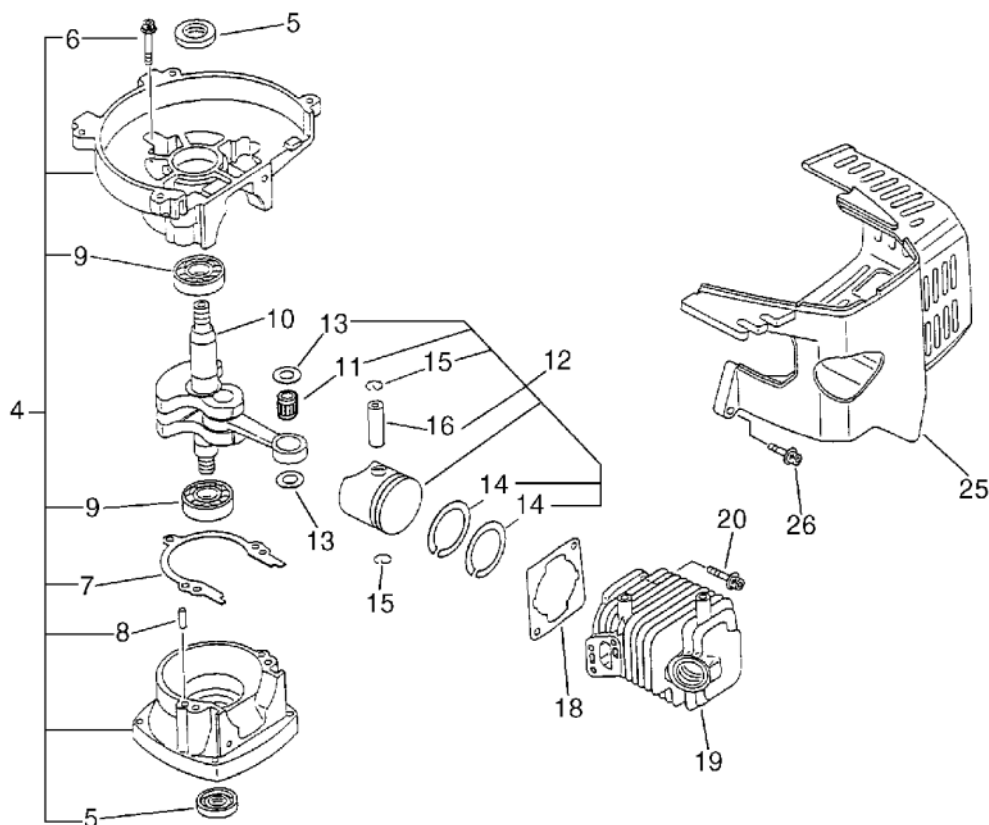
# **PARTS CATALOGUE**

**HEDGE TRIMMER**

**HC-2000**

# 1. Cylinder, Crankcase, Piston

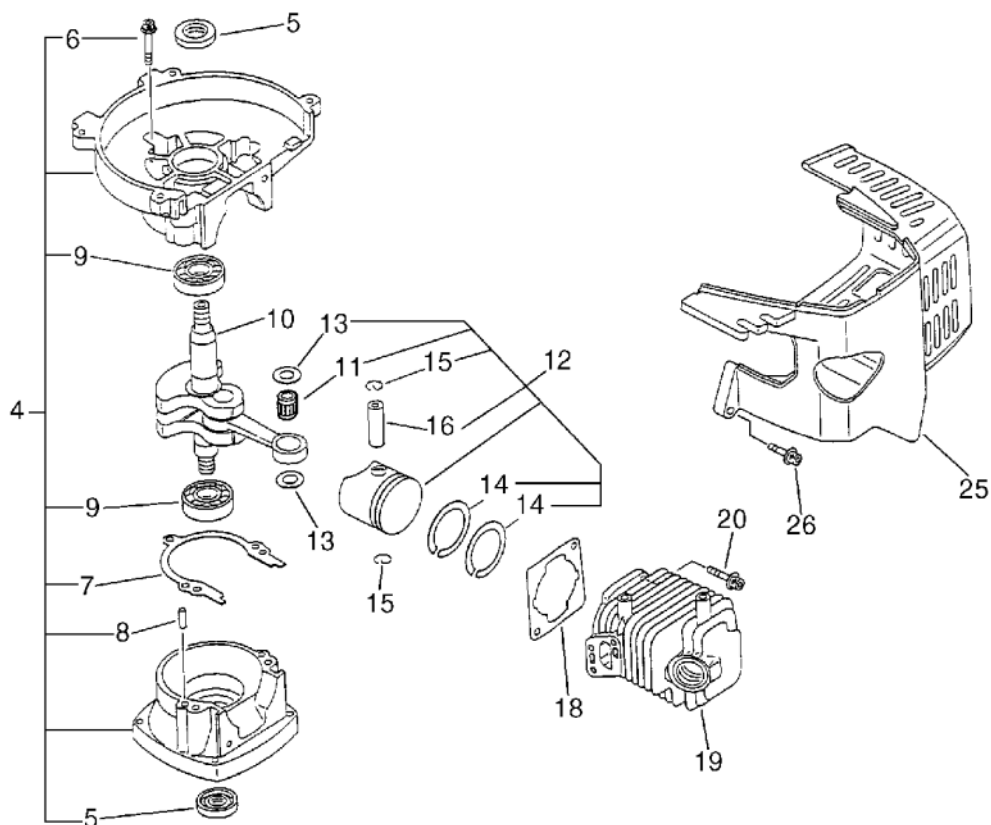
No.1



KEY	LV	PART NUMBER	Q'TY	DESCRIPTION	REMARKS	NOTE1	NOTE2
4		100204-52130	1	CRANKCASE KIT		Sus. by 100204-52132	
4		100204-52131	1	CRANKCASE KIT		Sus. by 100204-52132	
4		100204-52132	1	CRANKCASE KIT			
5	+	100212-42030	2	OILSEAL	ISCD12*22*4.5	Sus. by 100212-42031	
5	+	100212-42031	2	OILSEAL	ISCD 12*22*4.5		
6	+	900162-05028	3	BOLT, H.S. 5*28	5*28 W,SW		
7	+	100242-42030	1	GASKET, CRANKCASE			
8	+	100215-03930	2	PIN, DOWEL			
9	+	900810-36201	2	BEARING, BALL 6201	6201/C3	Sus. by 94035-36201	
9	+	94035-36201	2	BEARING BALL	6201X3JR2C3		
10		100100-07760	1	CRANKSHAFT ASSY		Sus. by 100100-09760	
10		100100-09760	1	CRANKSHAFT ASSY		Sr/Nr 045019 and before	
10		A011-000010	1	CRANKSHAFT,ASM		Sus. by A011-000014	
10		A011-000011	1	CRANKSHAFT,ASM		Sus. by A011-000014	
10		A011-000012	1	CRANKSHAFT,ASM		Sus. by A011-000014	

# 1. Cylinder, Crankcase, Piston

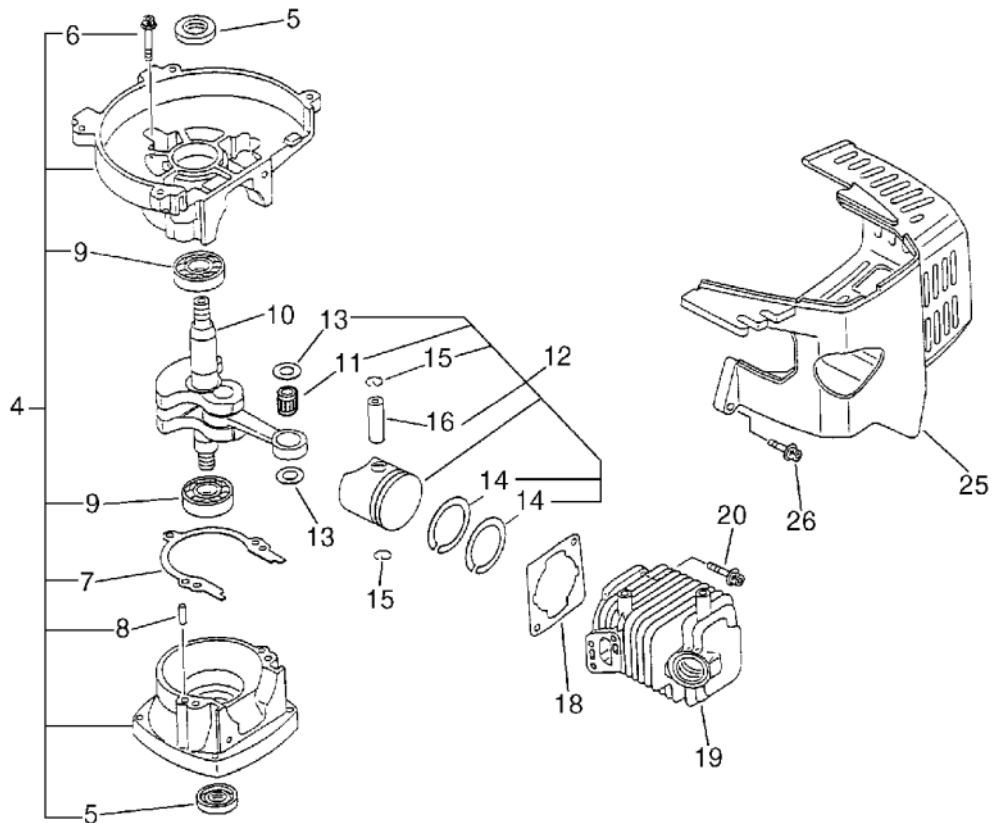
No.1



KEY	LV	PART NUMBER	Q'TY	DESCRIPTION	REMARKS	NOTE1	NOTE2
10		A011-000013	1	CRANKSHAFT,ASM		Sus. by A011-000014	
10		A011-000014	1	CRANKSHAFT,ASM		Sr/Nr 045020 and after	
12		100000-07760	1	PISTON KIT		Sus. by 100000-06962	
12		100000-06961	1	PISTON KIT		Sus. by 100000-06962	
12		100000-06962	1	PISTON KIT		Sr/Nr 045019 and before	
12		P021-000400	1	PISTON KIT		Sus. by P021-001113	
12		P021-001110	1	PISTON KIT		Sus. by P021-001113	
12		P021-001111	1	PISTON KIT		Sus. by P021-001113	
12		P021-001113	1	PISTON KIT		Sr/Nr 045020 and after	
11	+	100113-05930	1	BEARING, NEEDLE	8*12*8		
13	+	100014-08960	2	SPACER, PISTON PIN			
14	+	100011-05330	2	RING, PISTON		Sr/Nr 045019 and before	
14	+	A101-000000	2	RING,PISTON		Sr/Nr 045020 and after	
15	+	100015-04630	2	CIRCLIP, PISTON PIN			
16	+	100013-11520	1	PIN, PISTON			

# 1. Cylinder, Crankcase, Piston

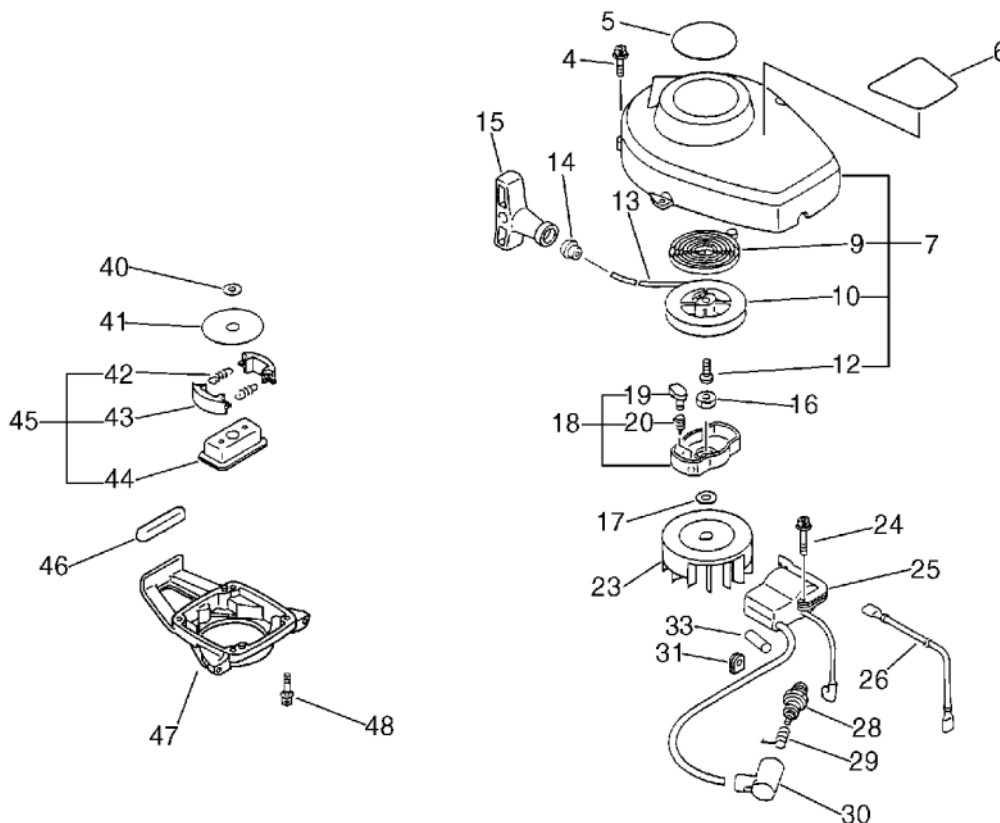
No.1



KEY	LV	PART NUMBER	Q'TY	DESCRIPTION	REMARKS	NOTE1	NOTE2
18		101010-44332	1	GASKET, CYL. BASE			
19		101011-06560	1	CYLINDER		Sus. by 101011-06562	
19		101011-06561	1	CYLINDER		Sus. by 101011-06562	
19		101011-06562	1	CYLINDER		Sr/Nr 045019 and before	
19		A130-000020	1	CYLINDER		Sus. by A130-000021	
19		A130-000021	1	CYLINDER		Sr/Nr 045020 and after	
20		900162-05022	2	BOLT, H.S. 5*22	5*22 W,SW		
25		101514-08960	1	COVER, CYLINDER			
26		900162-04022	2	BOLT, H.S. 4*22	4*22 W,SW		

## 2. Starter, Magneto, Clutch

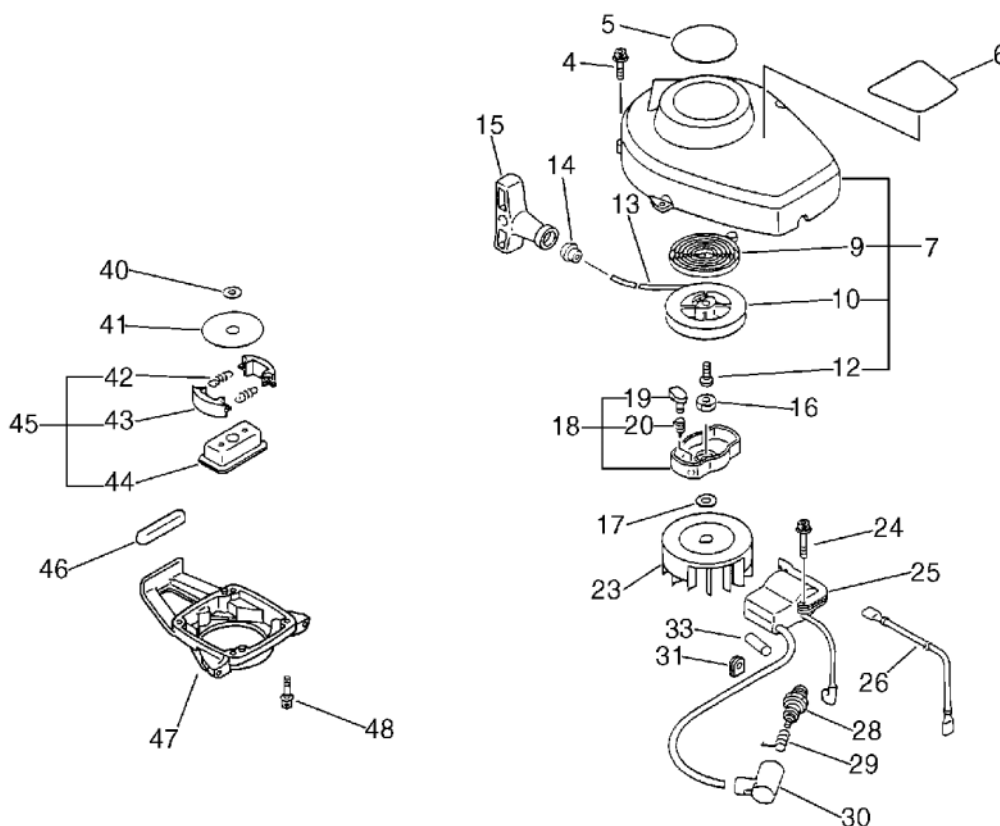
No.2



KEY	LV	PART NUMBER	Q'TY	DESCRIPTION	REMARKS	NOTE1	NOTE2
4		900162-04016	4	BOLT, H.S. 4*16	4*16 W,SW	Sus. by 900163-04016	
4		900163-04016	4	BOLT HSH			
5		890118-49130	1	LABEL, ECHO		Sus. by 890112-07761	
5		890112-07761	1	LABEL, MODEL			
6		890115-07760	1	LABEL, MODEL		Sus. by 890617-07660	
6		890617-07660	1	LABEL, CAUTION			
6		890617-12620	1	LABEL, CAUTION		Sus. by 890617-07660	
7		177200-05962	1	STARTER ASSY			
9	+	177220-42030	1	SPRING, REWIND			
10	+	177215-05960	1	DRUM, STARTER			
12	+	177236-44330	1	SCREW			
13	+	177226-05960	1	ROPE, STARTER	3.5*830		
14	+	177227-42030	1	GUIDE, ROPE			
15	+	177228-06530	1	GRIP, STARTER			
16		900512-00008	1	NUT 3N 8 (L-H)	3N 8		
17		900600-00008	1	WASHER 8	8		
18		177202-07360	1	PAWL ASSY, STARTER		Sus. by 177202-07361	
18		177202-07361	1	PAWL ASM., STARTER			
19	+	177218-44330	1	PAWL, STARTER	BLACK		
20	+	177234-05960	1	SPRING, RETURN		Sus. by P022-007980	

## 2. Starter, Magneto, Clutch

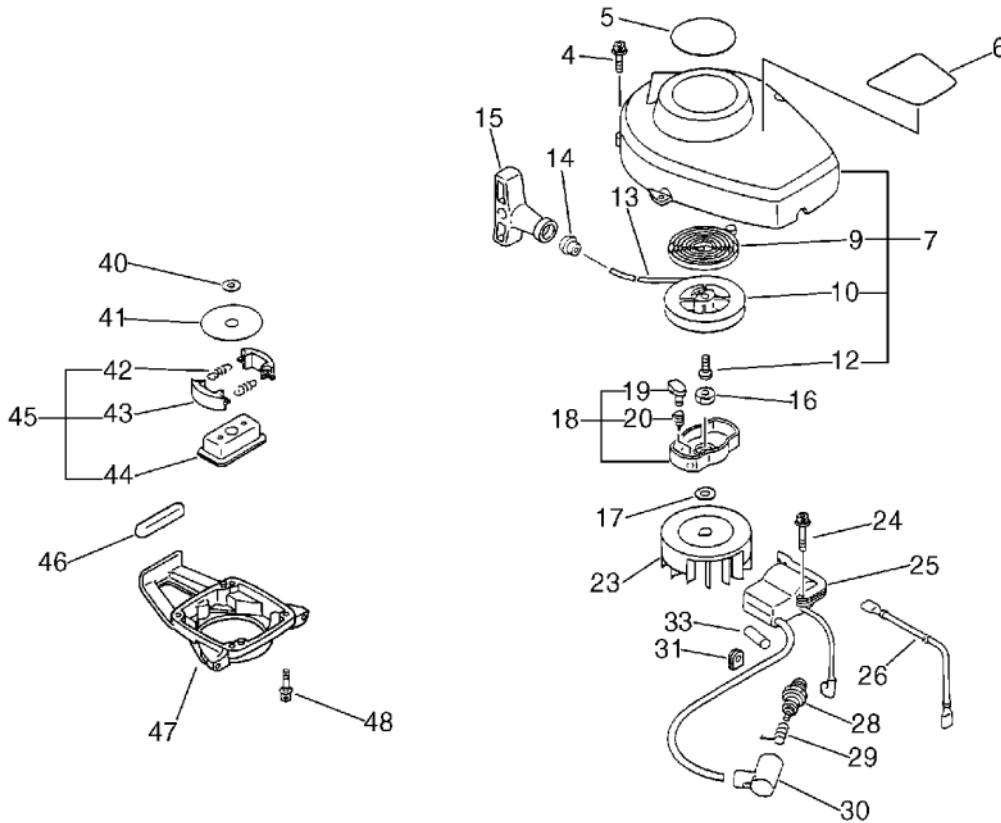
No.2



KEY	LV	PART NUMBER	Q'TY	DESCRIPTION	REMARKS	NOTE1	NOTE2
20	+	P022-007980	1	SPRING, RETURN			
23		156801-44731	1	FLYWHEEL		Sus. by 156801-12360	
23		156801-09660	1	FLYWHEEL		Sus. by set of 156801-12360 and 156601-52130	
23		156801-12360	1	ROTOR, MAGNETO		Sr/Nr 044790 and before	
23		A409-000000	1	ROTOR,MAGNETO		Sr/Nr 044791 and after	
24		900162-04022	2	BOLT, H.S. 4*22	4*22 W,SW		
25		156601-52130	1	COIL, IGNITION			
25		156626-52730	1	COIL, IGNITION		Sus. by set of 156801-12360 and 156601-52130	
28		159017-10230	1	PLUG, SPARK (RCJ-7Y)	RCJ-7Y		
29		159011-03432	1	COIL, SPARK PLUG			
30		159012-01620	1	CAP, SPARK PLUG			
31		156110-04920	1	BUSHING			
32		162021-52130	1	LEAD	210L	Sus. by 162010-52830	
32		162010-52830	1	LEAD, GROUND			
33		V475-001900	1	TUBE	7*8.6*30		
40		175014-05360	1	WASHER, CLUTCH	8.2*19*3.2		

## 2. Starter, Magneto, Clutch

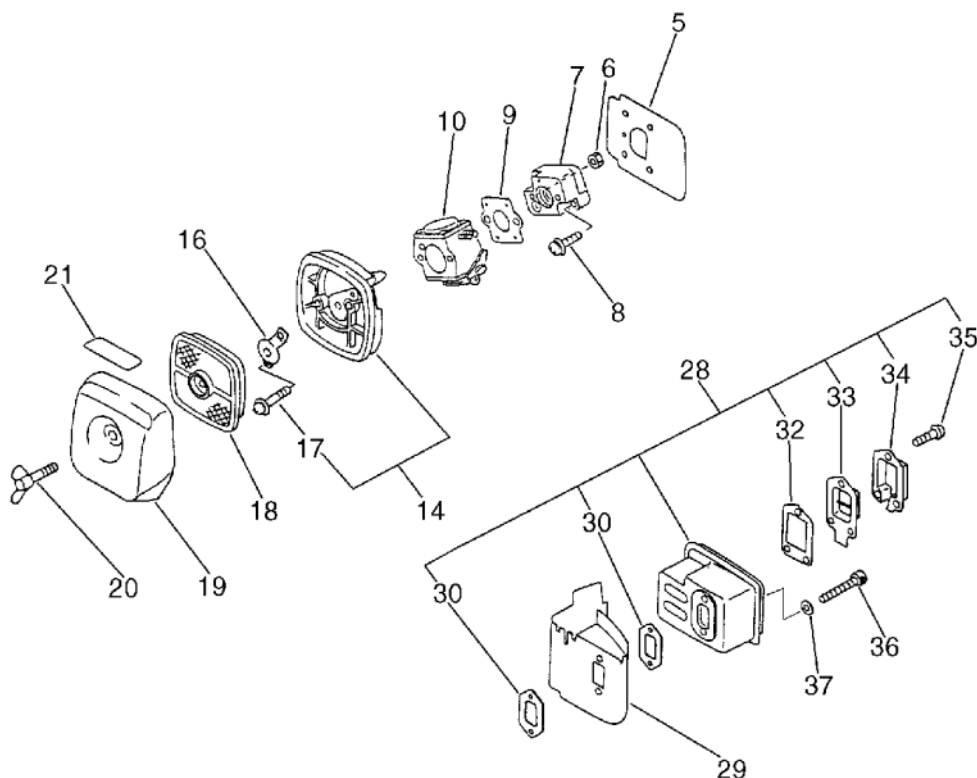
No.2



KEY	LV	PART NUMBER	Q'TY	DESCRIPTION	REMARKS	NOTE1	NOTE2
41		175019-04920	1	PLATE, CLUTCH			
45		175000-02962	1	CLUTCH ASSY			
42	+	175018-05960	2	SPRING, CLUTCH			
43	+	175009-05131	2	SHOE, CLUTCH			
44	+	175016-07330	1	HUB, CLUTCH			
46		131920-28230	1	CUSHION, FUEL TANK			
47		175055-06960	1	HOUSING, CLUTCH			
48		900162-04016	4	BOLT, H.S. 4*16	4*16 W,SW	Sus. by 900163-04016	
48		900163-04016	4	BOLT HSH			

### 3. Air Cleaner, Muffler

No.3

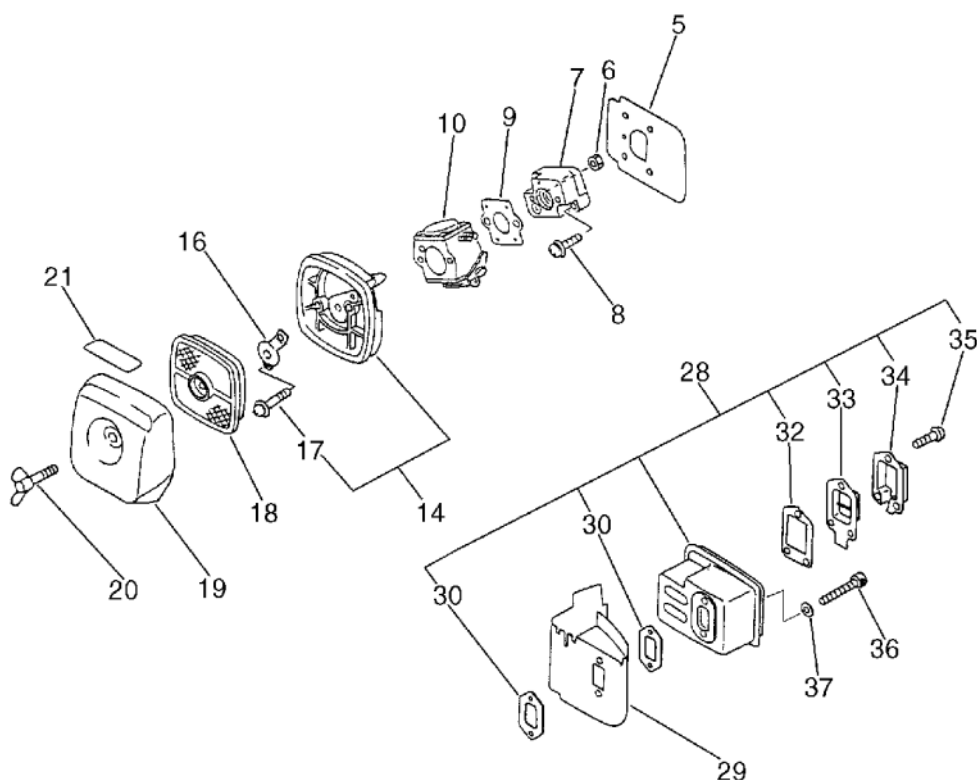


KEY	LV	PART NUMBER	Q'TY	DESCRIPTION	REMARKS	NOTE1	NOTE2
5		130010-42032	1	GASKET,INTAKE			
6		900500-00005	2	NUT 5	5		
7		130017-42031	1	INSULATOR, INTAKE			
8		900238-05020	2	SCREW 5*20	5*20		
9		130016-42031	1	GASKET, INTAKE		Sus. by V103-000111	
9		V103-000111	1	GASKET,INTAKE		Sus. by 130016-42031	
9		130016-42031	1	GASKET, INTAKE			
10		125200-08460	1	CARBURETOR ASSY	C1U-K45	Sus. by 125200-05964	
10		125200-05961	1	CARBURETOR C1U-K51	C1U-K51	Sus. by 125200-05964	
10		125200-05962	1	CARBURETOR	C1U-K51	Sus. by 125200-05964	
10		125200-05963	1	CARBURETOR C1U-K51	C1U-K51	Sus. by 125200-05964	
10		125200-05964	1	CARBURETOR	C1U-K51		
14		130307-06561	1	CASE, AIR CLEANER		Sus. by P021-002921	
14		P021-002921	1	CASE, AIR CLEANER			
17	+	900242-05065	2	SCREW 5*65	5*65		
16		129011-52730	1	PLATE, PREVENT			
18		130310-54130	1	FILTER, AIR			
19		130313-06563	1	LID, AIR CLEANER			
20		210417-52730	1	BOLT, WING	5*20		



### 3. Air Cleaner, Muffler

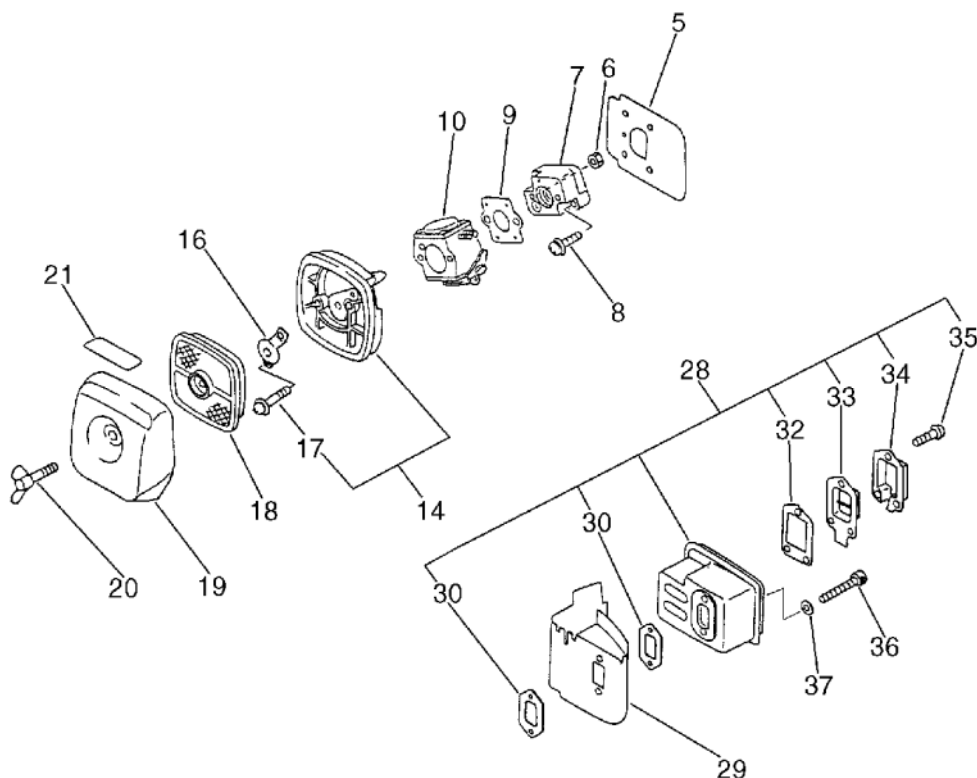
No.3



KEY	LV	PART NUMBER	Q'TY	DESCRIPTION	REMARKS	NOTE1	NOTE2
21		890121-05360	1	LABEL, METERING			
29		145871-44331	1	COVER, MUFFLER		Sus. by A320-000251	
29		145631-42030	1	COVER, MUFFLER		Sus. by A320-000251	
29		A320-000250	1	COVER,MUFFLER		Sus. by A320-000251	
29		A320-000251	1	COVER,MUFFLER			
28		145802-08960	1	MUFFLER ASSY		Sr/Nr 045019 and before	
28		P021-001330	1	MUFFLER ASY		Sus. by P021-001332	
28		P021-001331	1	MUFFLER ASY		Sus. by P021-001332	
28		P021-001332	1	MUFFLER ASY		Sr/Nr 045020 and after	
30	+	145510-42031	2	GASKET, MUFFLER		Sus. by V104-000160	
30	+	V104-000160	2	GASKET,EXHAUST			
32	+	145866-42031	1	GASKET, MUFFLER LID		Sr/Nr 045019 and before	
32	+	V104-000000	1	GASKET,EXHAUST		Sus. by V104-000003	
32	+	V104-000001	1	GASKET,EXHAUST		Sus. by V104-000003	

### 3. Air Cleaner, Muffler

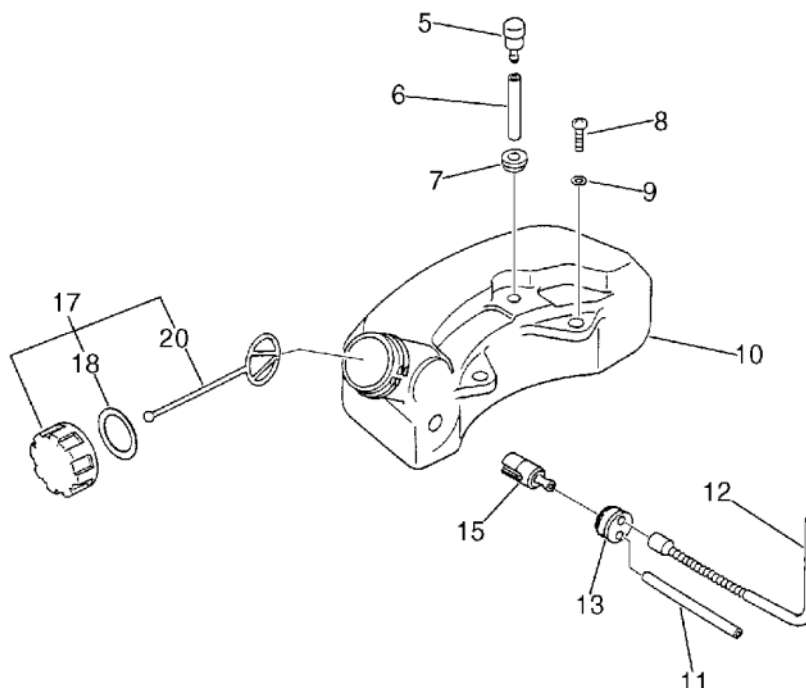
No.3



KEY	LV	PART NUMBER	Q'TY	DESCRIPTION	REMARKS	NOTE1	NOTE2
32	+	V104-000002	1	GASKET,EXHAUST		Sus. by V104-000003	
32	+	V104-000003	1	GASKET,EXHAUST		Sr/Nr 045020 and after	
33	+	145876-42030	1	LID, MUFFLER (B)			
34	+	145863-08960	1	GUIDE, EXHAUST		Sr/Nr 045019 and before	
34	+	A313-000010	1	GUIDE,EXH	ID#4000	Sr/Nr 045020 and after	
35	+	900242-04010	3	SCREW 4*10	4*10		
36		900105-05055	2	BOLT, H.S. 5*55	5*55		
37		900600-00005	2	WASHER 5	5		

# 4. Fuel Tank

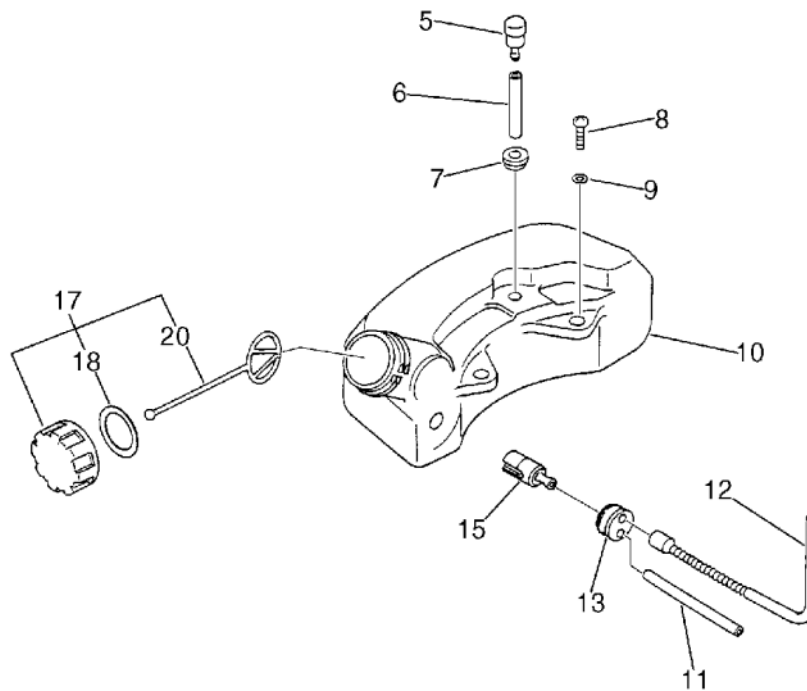
No.4



KEY	LV	PART NUMBER	Q'TY	DESCRIPTION	REMARKS	NOTE1	NOTE2
5		131300-40630	1	VALVE, CHECK		Sus. by A356-000030	
5		131300-56430	1	VALVE, CHECK		Sus. by A356-000030	
5		A356-000030	1	VALVE,CHECK			
6		132010-21160	1	PIPE, FUEL	3*6*35	Sus. by V471-001180	
6		V471-001180	1	PIPE	3*6*35 NBR		
7		132115-01461	1	GROMMET			
8		900238-05016	2	SCREW 5*16	5*16		
9		900603-00005	2	WASHER 5	5.5*12*0.8		
10		131002-08960	1	TANK, FUEL		Sus. by 131002-08961	
10		131002-08961	1	TANK, FUEL			
11		132717-06460	1	PIPE 3*5*110	3*5*110	Sus. by 132010-06460	
11		132010-06460	1	PIPE 3*6*110	3*6*110 YL		
12		132010-02160	1	PIPE, FUEL (INNER)	L=190		
13		132115-44330	1	GROMMET			
15		131205-50430	1	STRAINER, FUEL		Sus. by 131205-07320	
15		131205-07320	1	STRAINER, FUEL			
17		131004-06560	1	CAP ASSY,FUEL TANK		Sus. by 131004-08960	
17		131004-08960	1	CAP ASSY, FUEL			

# 4. Fuel Tank

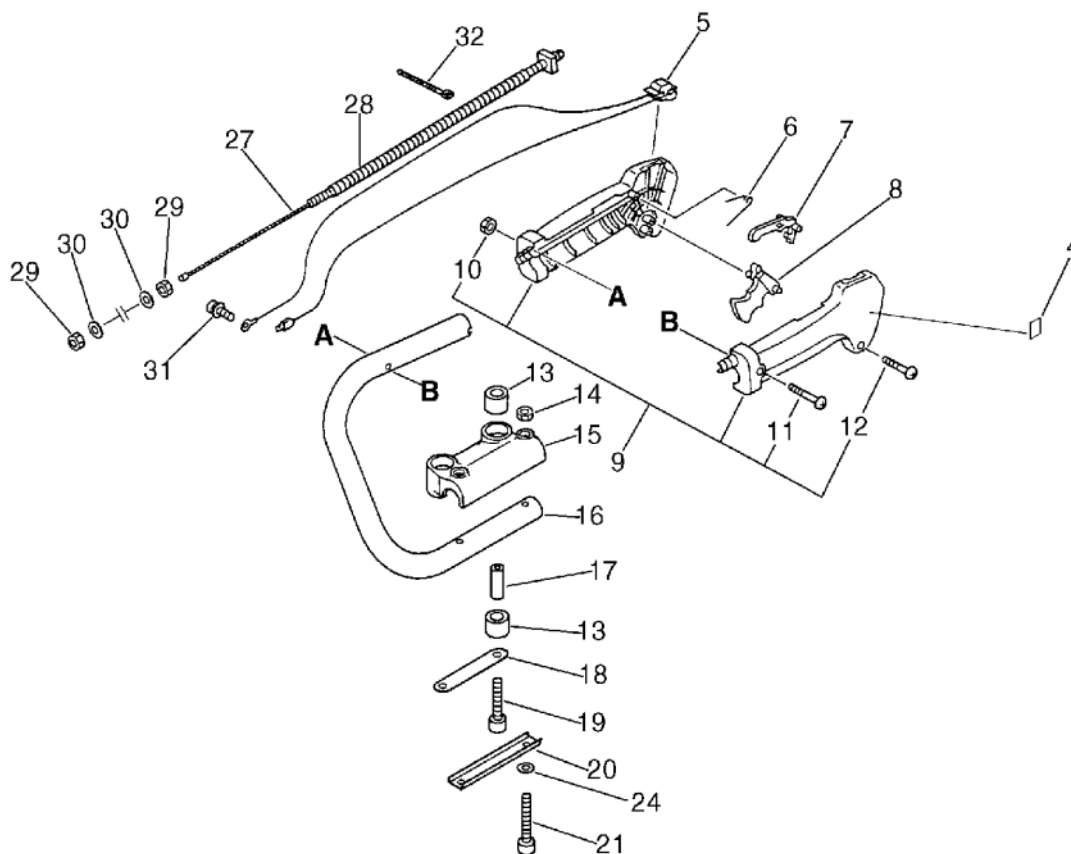
No.4



KEY	LV	PART NUMBER	Q'TY	DESCRIPTION	REMARKS	NOTE1	NOTE2
18	+	131016-40930	1	GASKET, FUEL CAP		Can be used on the 131004-06560	
18	+	131016-55830	1	GASKET, FUEL CAP		Can be used on the 131004-08960	
20	+	131051-52430	1	CONNECTOR, CAP	80L		

5. Handle

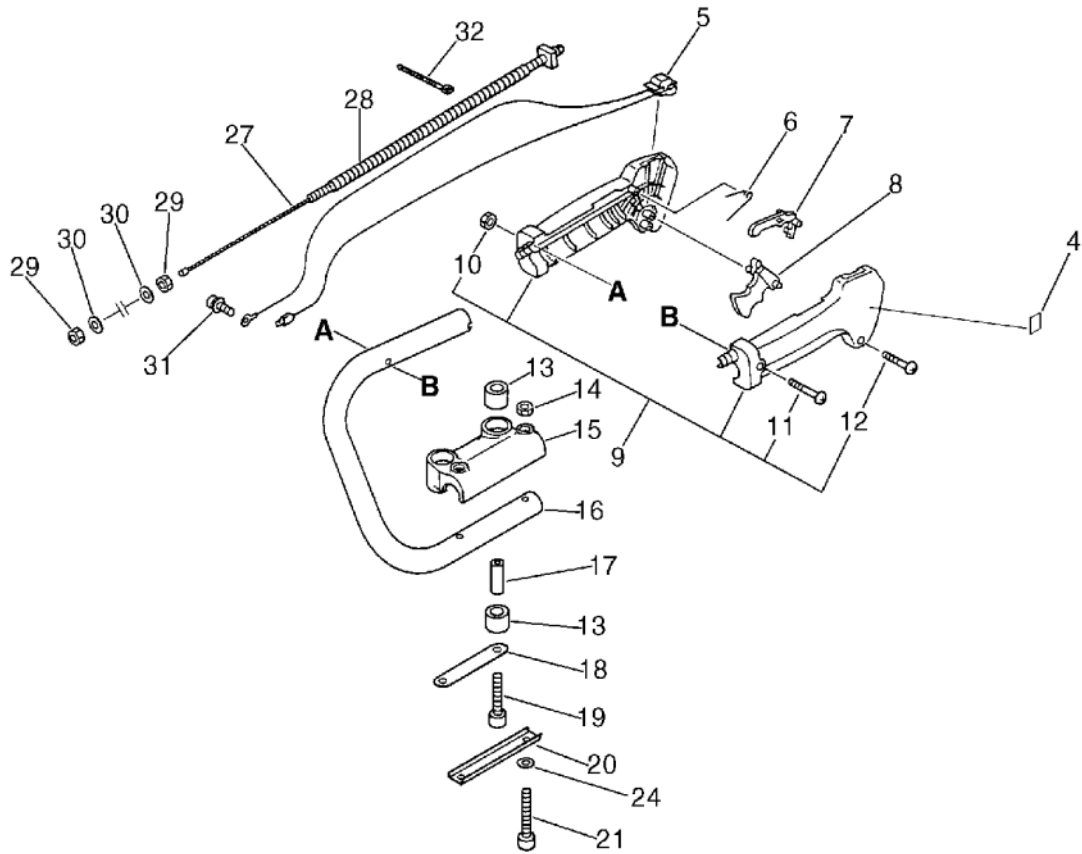
No.5



KEY	LV	PART NUMBER	Q'TY	DESCRIPTION	REMARKS	NOTE1	NOTE2
4		890157-06560	1	LABEL, SWITCH		Disuse	
5		163400-05960	1	SWITCH, IGNITION		Sus. by A440-000320	
5		A440-000320	1	SWITCH, ON OFF			
6		178013-35631	1	SPRING, THR. LOCK			
7		178012-05960	1	LOCKOUT, THROTTLE			
8		178010-05960	1	CONTROL, THROTTLE			
9		351102-47530	1	GRIP ASSY, F-HANDLE			
10	+	900500-00005	1	NUT 5	5		
11	+	900220-05030	1	SCREW 5*30	5*30		
12	+	900246-03025	4	SCREW 3*25	3*25		
13		351228-07760	4	CUSHION			
14		900500-00005	2	NUT 5	5		
15		351217-07760	1	SUPPORTER, HANDLE		Sus. by 351217-07761	
15		351217-07761	1	SUPPORTER, HANDLE			
16		351205-08961	1	HANDLE, REAR			
17		351241-01260	2	SPASER			
18		351242-06960	1	PLATE, EYE		Sus. by 351242-06961	
18		351242-06961	1	PLATE, EYE			
19		900162-05045	2	BOLT, H.S. 5*45	5*45 W, SW		
20		351243-01260	1	BRACKET			
21		900162-05035	2	BOLT, H.S. 5*35	5*35 W, SW		
24		300217-00610	2	WASHER			
27		178001-05960	1	WIRE, THROTTLE			

5. Handle

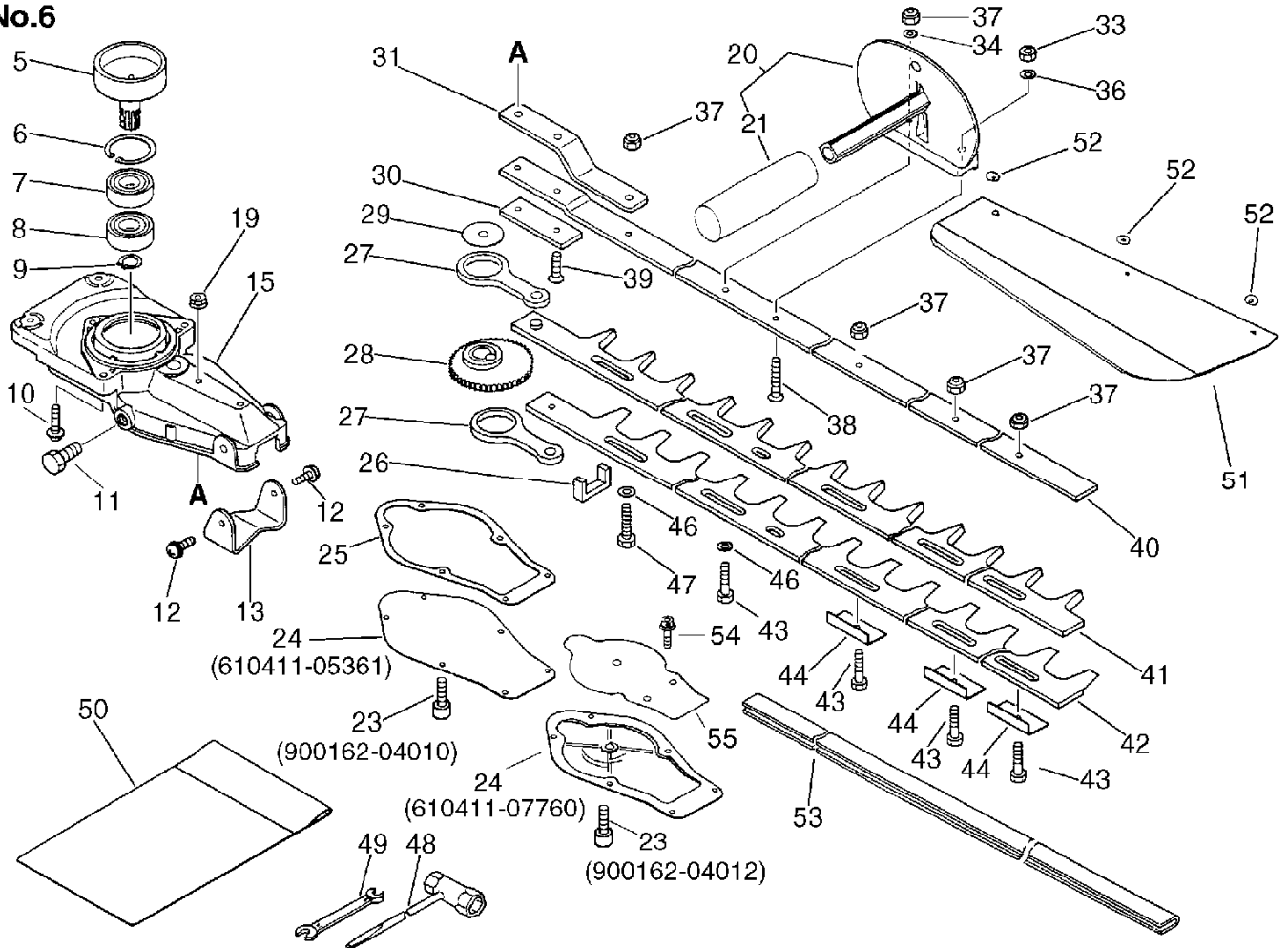
No.5



KEY	LV	PART NUMBER	Q'TY	DESCRIPTION	REMARKS	NOTE1	NOTE2
28		178127-05960	1	TUBE	7*330		
29		900502-00006	2	NUT 6 (3N)	3N6		
30		900600-00006	2	WASHER 6	6		
31		900238-05010	1	SCREW 5*10	5*10		
32		178121-10050	1	BAND	CV-150		

6. Gear Case, Cutter, Tools

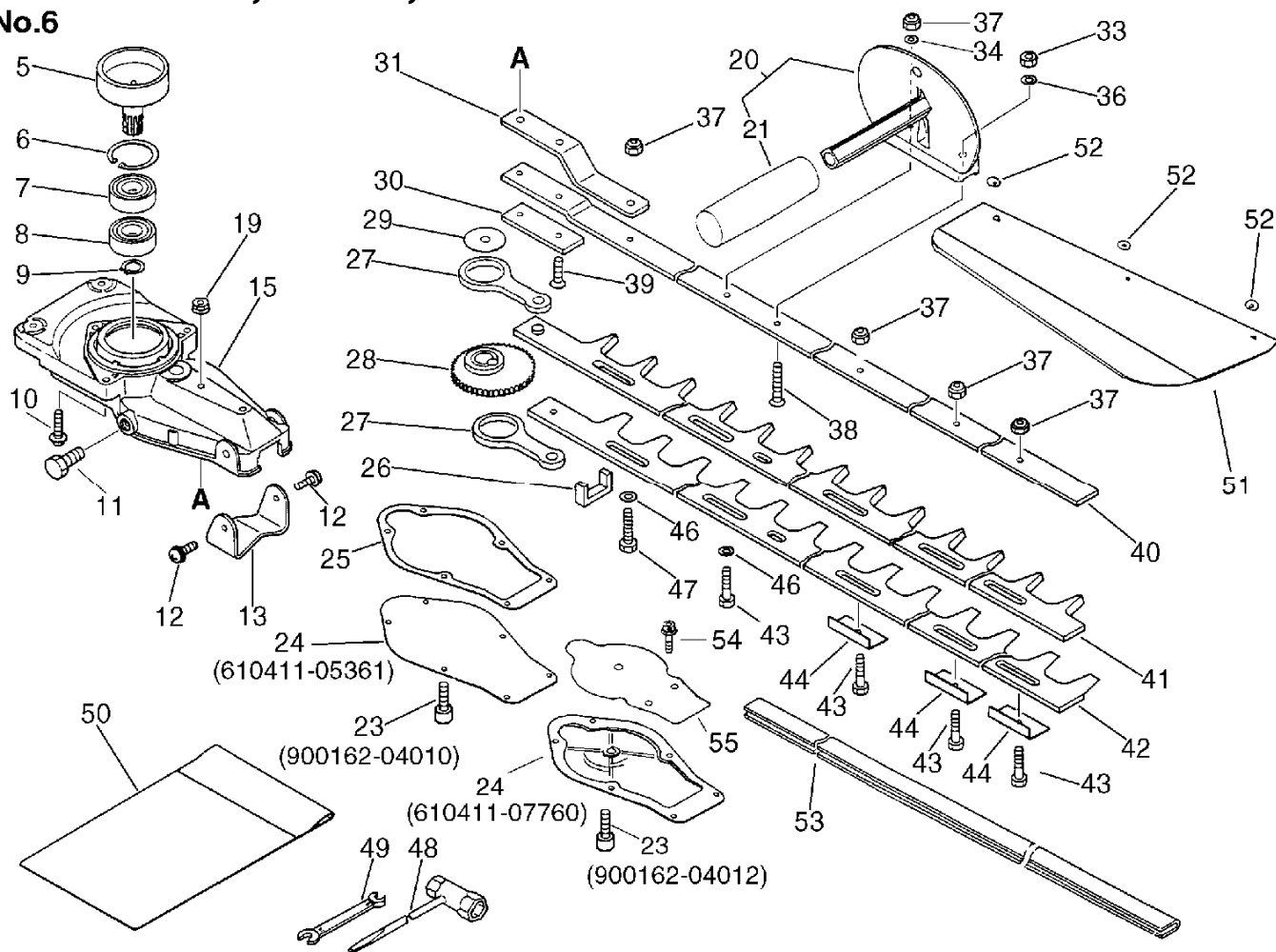
No.6



KEY	LV	PART NUMBER	Q'TY	DESCRIPTION	REMARKS	NOTE1	NOTE2
5		175005-04560	1	DRUM, CLUTCH			
6		900702-00035	1	CIRCLIP 35	CR-35		
7		900813-36202	1	BEARING, BALL 6202	6202Z/C3		
8		900810-36202	1	BEARING, BALL 6202	6202/C3		
9		900701-00014	1	CIRCLIP 14	CS-14		
10		900162-05025	3	BOLT, H.S. 5*25	5*25 W.SW		
11		610434-50030	1	BOLT 8*6			
12		900238-05010	2	SCREW 5*10	5*10		Sr/Nr 040837 and before
13		305110-07760	1	STAND			Sr/Nr 040837 and before
15		610410-07760	1	CASE, GEAR			Sr/Nr 040837 and before
15		610407-07760	1	CASE, GEAR			Sr/Nr 040838 and after
19		900500-00006	2	NUT 6	6		
20		351200-07360	1	HANDLE ASSY			Sus. by 351200-07363
20		351200-07361	1	HANDLE ASY			Sus. by 351200-07363
20		351200-07362	1	HANDLE ASY			Sus. by 351200-07363
20		351200-07363	1	HANDLE ASY			
21	+	351012-07360	1	GRIP, HANDLE	22*32*155L		Sus. by 351012-07361
21	+	351012-07361	1	GRIP, REAR HANDLE			

## 6. Gear Case, Cutter, Tools

No.6

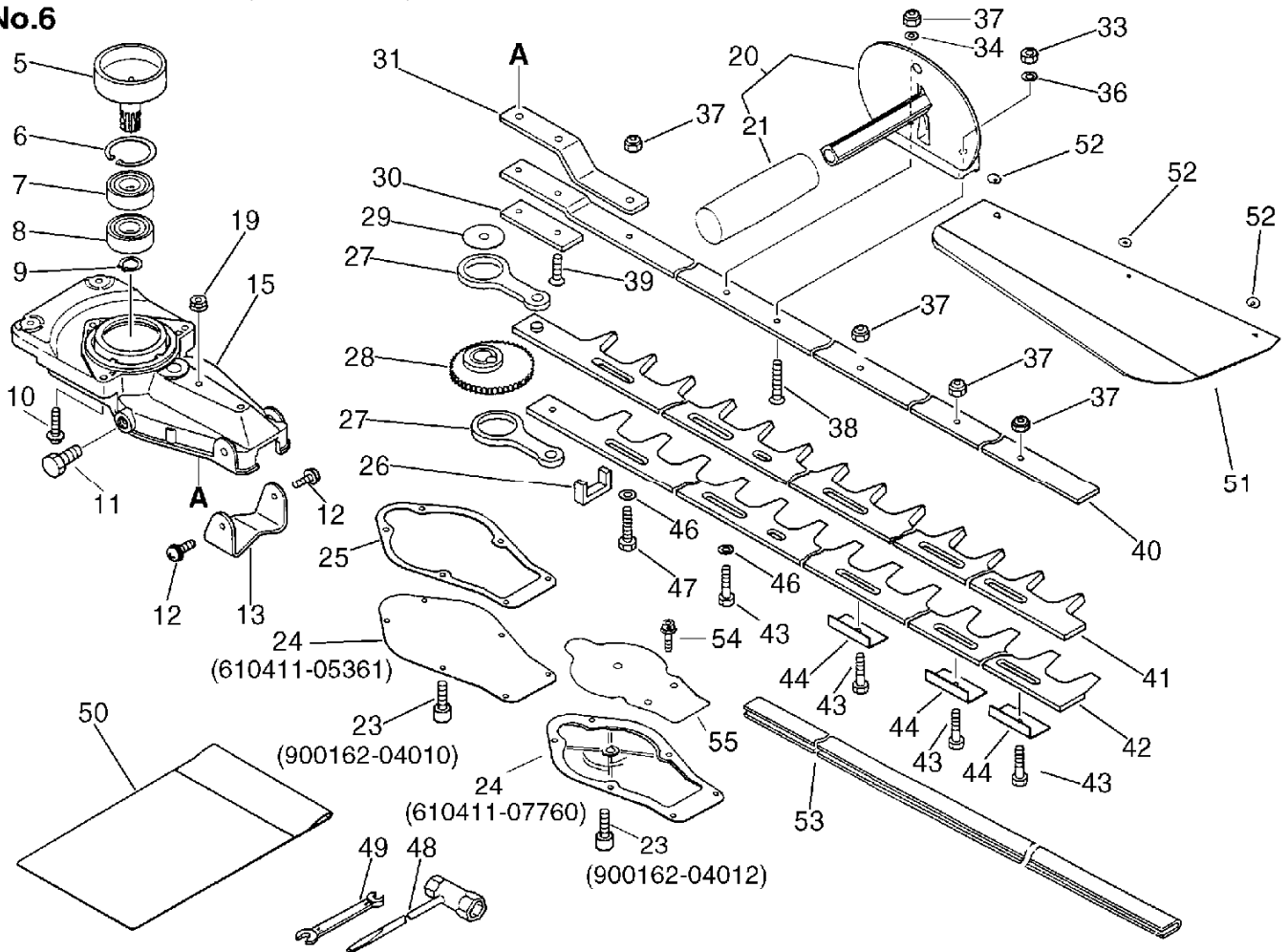


KEY	LV	PART NUMBER	Q'TY	DESCRIPTION	REMARKS	NOTE1	NOTE2
23		900162-04010	6	BOLT, H.S. 4*10	4*10 W,SW	Sr/Nr 040837 and before	
23		900162-04012	6	BOLT, H.S. 4*12	4*12 W,SW	Sr/Nr 040838 and after	
24		610411-05361	1	LID, GEARCASE		Sr/Nr 040837 and before	
24		610411-07760	1	LID, GEAR CASE		Sr/Nr 040838 and after	
25		610414-05360	1	GASKET, GEAR HOUSING			
26		610425-04560	1	SEAL			
27		610330-04560	2	ROD, CONNECTING		Sus. by C532-000120	
27		610330-04561	2	ROD, CONNECTING		Sus. by C532-000120	
27		C532-000120	2	ROD, CONNECTING			
28		610312-04560	1	GEAR			
29		610350-04560	1	WASHER			
30		699118-07760	1	PLATE, EYE			
31		699120-06560	1	PLATE, ANGLE			
33		900560-00005	1	NUT, LOCK 5	5		
34		358123-01110	1	WASHER	6.5*19*1	Sus. by 351249-20060	
34		351249-20060	1	WASHER	6.5*16*1		
36		300217-00610	1	WASHER			
37		433022-06460	5	NUT			
38		900212-05030	1	SCREW (5*30*P0.8)	+SF5*30		



6. Gear Case, Cutter, Tools

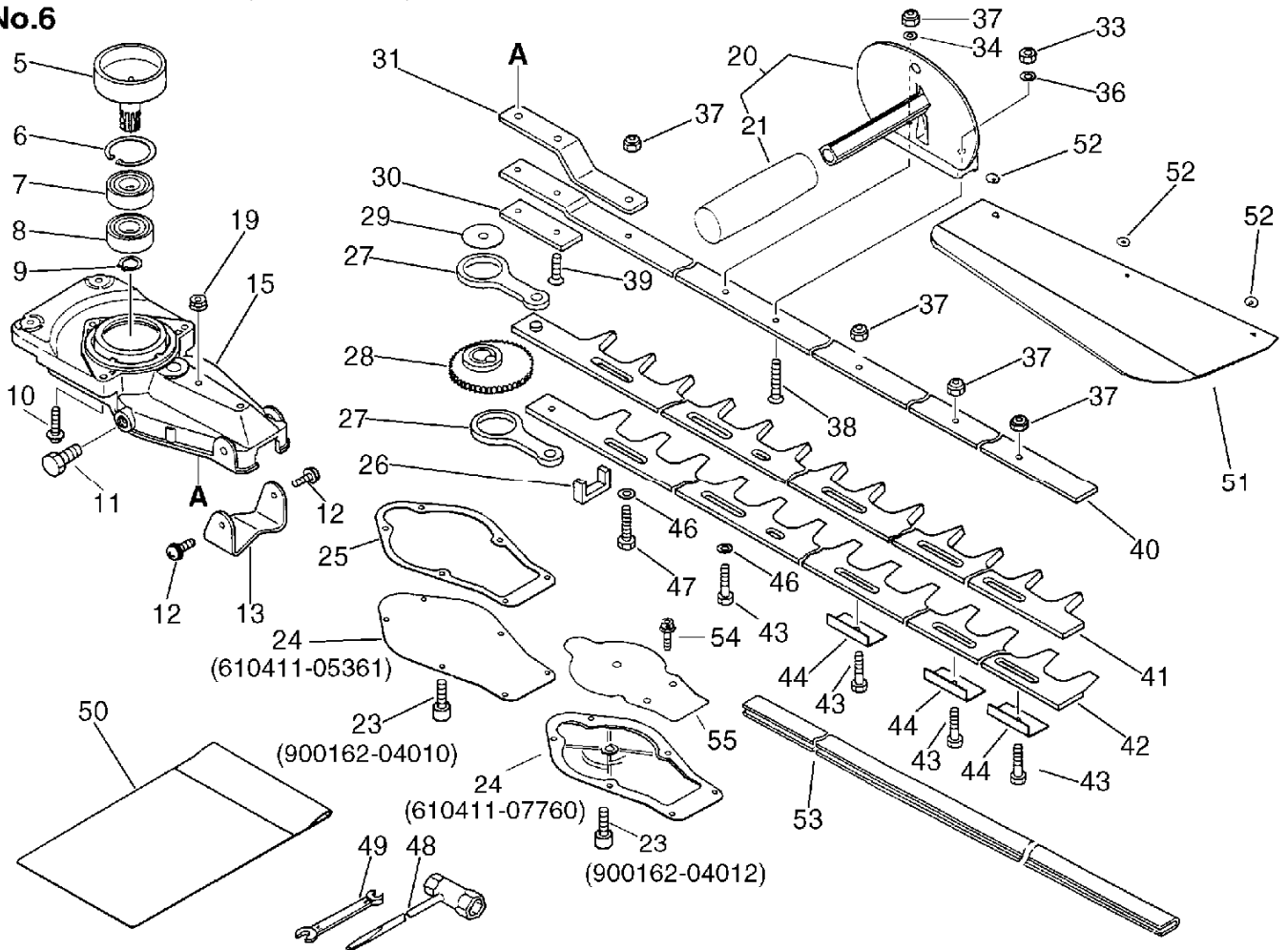
No.6



KEY	LV	PART NUMBER	Q'TY	DESCRIPTION	REMARKS	NOTE1	NOTE2
39		900212-06025	2	SCREW 6*25	+SF6*25		
40		699110-07760	1	BAR, FRAME		Sus. by X425-000250	
40		X425-000040	1	SUPPORT,CUTTER		Sus. by X425-000250	
40		X425-000250	1	SUPPORT,CUTTER	L=821.5 T=4.5		
41		697010-07760	1	CUTTER		Sus. by X411-000360	
41		X411-000060	1	CUTTER		Sus. by X411-000360	
41		X411-000360	1	CUTTER	L=790		
42		697011-07760	1	CUTTER		Sus. by X411-000370	
42		X411-000070	1	CUTTER		Sus. by X411-000370	
42		X411-000370	1	CUTTER	L=787		
43		699115-04660	3	BOLT 6	6*18L	Sus. by 699115-07760	
43		699115-07760	4	BOLT, CUTTER			
44		699213-04160	3	INSULATOR			
46		699118-04560	2	WASHER			
47		699115-05360	1	BOLT			
48		895410-00430	1	WRENCH, W/S. DRIVER			
49		895112-00330	1	SPANNER 8*10			
50		898510-39130	1	BAG, TOOL		Disuse	

# 6. Gear Case, Cutter, Tools

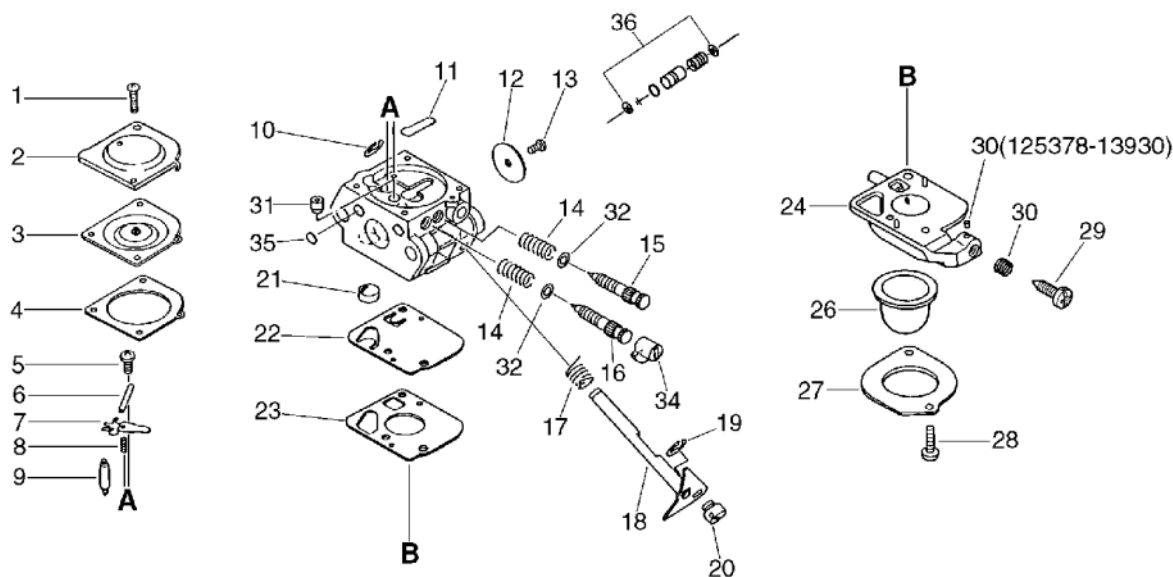
No.6



KEY	LV	PART NUMBER	Q'TY	DESCRIPTION	REMARKS	NOTE1	NOTE2
51		699511-06560	1	GUIDE, CORRECTION			
52		900603-00006	3	WASHER 6	6.5*13*1		
53		898523-02961	1	COVER, CUTTER			
54		900162-05012	2	BOLT, H.S. 5*12	5*12 W,SW	Sr/Nr 040838 and after	
55		610447-07760	1	PLATE,CASE LID		Sr/Nr 040838 and after	

# 7. Carburetor

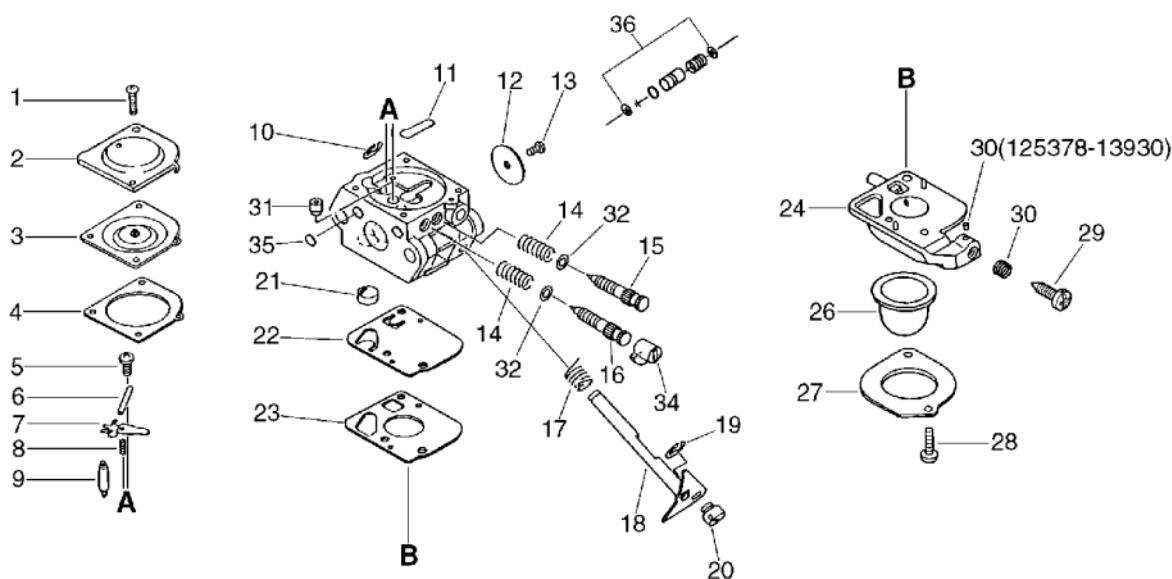
No.7



KEY	LV	PART NUMBER	Q'TY	DESCRIPTION	REMARKS	NOTE1	NOTE2
		125200-08460	1	CARBURETOR ASSY	C1U-K45	Sus. by 125200-05964	
		125200-05961	1	CARBURETOR C1U-K51	C1U-K51	Sus. by 125200-05964	
		125200-05962	1	CARBURETOR	C1U-K51	Sus. by 125200-05964	
		125200-05963	1	CARBURETOR C1U-K51	C1U-K51	Sus. by 125200-05964	
		125200-05964	1	CARBURETOR	C1U-K51		
1	+	125344-52130	2	SCREW			
2	+	125342-13210	1	COVER, DIAPHRAGM		Sus. by 125342-52130	
2	+	125342-52130	1	COVER, DIAPHRAGM			
3	+	125341-42030	1	DIAPHRAGM		Sr/Nr 037646 to 043778	
3	+	125341-49030	1	DIAPHRAGM		Sr/Nr 043779 and after	
4	+	125340-51030	1	GASKET, DIAPHRAGM			
5	+	125339-42030	1	SCREW			
6	+	125338-13930	1	PIN, METERING ARM			
7	+	125323-42030	1	LEVER, METERING			
8	+	125322-42030	1	SPRING, COIL			
9	+	125337-06960	1	VALVE, INLET NEEDLE			
10	+	125327-15130	1	CLIP			
11	+	125345-15130	1	PLUG, WELCH			
12	+	125316-49030	1	VALVE, THROTTLE			

# 7. Carburetor

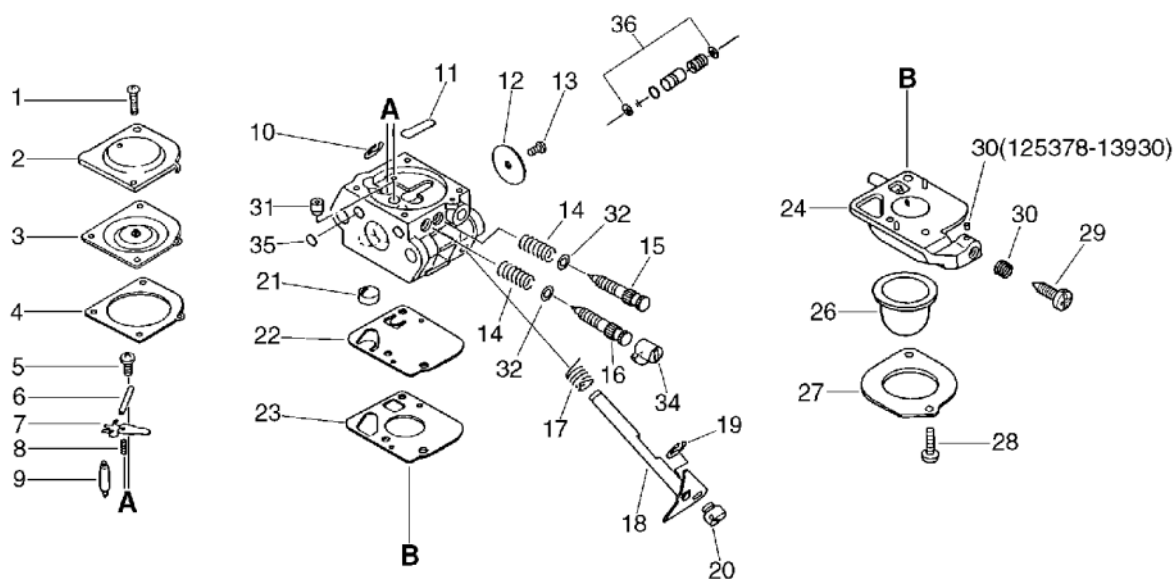
## No.7



KEY	LV	PART NUMBER	Q'TY	DESCRIPTION	REMARKS	NOTE1	NOTE2
13	+	125314-13930	1	SCREW	3*4		
14	+	125319-42030	2	SPRING, COIL		Sr/Nr 037646 to 043778	
15	+	125318-07360	1	NEEDLE, IDLE		Sr/Nr 037646 to 043778	
15	+	125318-13120	1	SCREW, IDLE NEEDLE		Sr/Nr 043779 and after	
16	+	125320-07360	1	NEEDLE, HIGH SPEED		Sr/Nr 037646 to 043778	
16	+	125320-13310	1	NEEDLE, HIGH SPEED		Sr/Nr 043779 and after	
17	+	125313-42030	1	SPRING, THRT. RETURN			
18	+	125317-49030	1	SHAFT, THROTTLE		Sr/Nr 037646 to 043778	
18	+	125317-13310	1	SHAFT, THROTTLE		Sr/Nr 043779 and after	
19	+	125327-13930	1	CLIP			
20	+	125372-42030	1	SWIVEL			
21	+	125326-42030	1	STRAINER			
22	+	125312-42030	1	DIAPHRAGM, FUEL PUMP		Can be used on the 125200-08460	
22	+	125312-12820	1	DIAPHRAGM, FUEL PUMP		Can be used on 125200-05961,-05962	

# 7. Carburetor

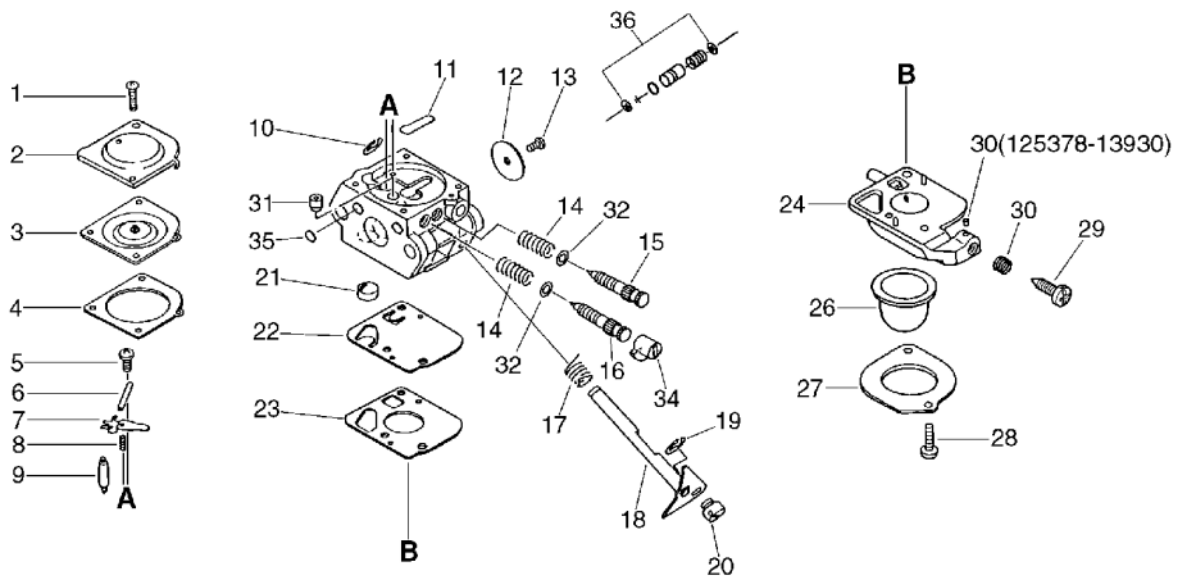
## No.7



KEY	LV	PART NUMBER	Q'TY	DESCRIPTION	REMARKS	NOTE1	NOTE2
23	+	125325-42030	1	GASKET, FUEL PUMP		Sus. by 125325-13310	
23	+	125325-13310	1	GASKET, PUMP			
24	+	125324-11610	1	COVER, PUMP		Sus. by 125325-13310	
24	+	125383-13310	1	BASE, PRIMER		Sus. by P005-000590	
24	+	P005-000590	1	BASE,ASY PRIMER			
26	+	125381-46730	1	PUMP, PRIMING		Sus. by 125381-08660	
26	+	125381-08660	1	PUMP, PRIMING			
27	+	125363-11610	1	RING			
28	+	125310-11610	2	SCREW			
29	+	125334-13930	1	SCREW, IDLE ADJUST		Sr/Nr 044793 and before	
29	+	125334-06960	1	SCREW,THROTTLEADJUST		Sr/Nr 044794 and after	
30	+	125378-13930	1	PIECE, FRICTION		Sr/Nr 044793 and before	
30	+	125333-06960	1	SPRING,IDLE ADJUSTER		Sr/Nr 044794 and after	
31	+	125376-49030	1	NOZZLE, CHACK VALVE		Sus. by 125376-13120	
31	+	125376-13120	1	NOZZLE, CHECK VALVE			
32	+	125353-20560	2	WASHER		Sr/Nr 037646 to 043778	

# 7. Carburetor

No.7



KEY	LV	PART NUMBER	Q'TY	DESCRIPTION	REMARKS	NOTE1	NOTE2
34	+	125329-39030	1	LIMITER, MIXTURE			
35	+	125345-13310	1	PLUG, WELCH			
36	+	125306-13310	1	PUMP KIT, ACC.			
		125303-13310	1	DIAPHRAGM/GASKET KIT			
		125300-13310	1	REBUILD KIT			

## 8. Repair Kit

KEY	LV	PART NUMBER	Q'TY	DESCRIPTION	REMARKS	NOTE1	NOTE2
		125303-13310	1	DIAPHRAGM/GASKET KIT			
7-3	+	125341-49030	1	DIAPHRAGM			
7-4	+	125340-51030	1	GASKET, DIAPHRAGM			
7-23	+	125325-13310	1	GASKET, PUMP			
	+	125312-42030	1	DIAPHRAGM, FUEL PUMP			
		125300-13310	1	REBUILD KIT			
7-3	+	125341-49030	1	DIAPHRAGM			
7-4	+	125340-51030	1	GASKET, DIAPHRAGM			
7-6	+	125338-13930	1	PIN, METERING ARM			
7-7	+	125323-42030	1	LEVER, METERING			
7-8	+	125322-42030	1	SPRING, COIL			
7-9	+	125337-06960	1	VALVE, INLET NEEDLE			
7-11	+	125345-15130	1	PLUG, WELCH			
7-21	+	125326-42030	1	STRAINER			
7-23	+	125325-13310	1	GASKET, PUMP			
	+	125312-42030	1	DIAPHRAGM, FUEL PUMP			

**Index**

<b>Patrs Number</b>	<b>Key No.</b>	<b>Patrs Number</b>	<b>Key No.</b>	<b>Patrs Number</b>	<b>Key No.</b>
100000-06961	1 - 12	125319-42030	7 - 14	130016-42031	3 - 9
100000-06962	1 - 12	125320-07360	7 - 16	130016-42031	3 - 9
100000-07760	1 - 12	125320-13310	7 - 16	130017-42031	3 - 7
100011-05330	1 - 14	125322-42030	7 - 8	130307-06561	3 - 14
100013-11520	1 - 16	125322-42030	8 - 7-8	130310-54130	3 - 18
100014-08960	1 - 13	125323-42030	7 - 7	130313-06563	3 - 19
100015-04630	1 - 15	125323-42030	8 - 7-7	131002-08960	4 - 10
100100-07760	1 - 10	125324-11610	7 - 24	131002-08961	4 - 10
100100-09760	1 - 10	125325-13310	7 - 23	131004-06560	4 - 17
100113-05930	1 - 11	125325-13310	8 - 7-23	131004-08960	4 - 17
100204-52130	1 - 4	125325-13310	8 - 7-23	131016-40930	4 - 18
100204-52131	1 - 4	125325-42030	7 - 23	131016-55830	4 - 18
100204-52132	1 - 4	125326-42030	7 - 21	131051-52430	4 - 20
100212-42030	1 - 5	125326-42030	8 - 7-21	131205-07320	4 - 15
100212-42031	1 - 5	125327-13930	7 - 19	131205-50430	4 - 15
100215-03930	1 - 8	125327-15130	7 - 10	131300-40630	4 - 5
100242-42030	1 - 7	125329-39030	7 - 34	131300-56430	4 - 5
101010-44332	1 - 18	125333-06960	7 - 30	131920-28230	2 - 46
101011-06560	1 - 19	125334-06960	7 - 29	132010-02160	4 - 12
101011-06561	1 - 19	125334-13930	7 - 29	132010-06460	4 - 11
101011-06562	1 - 19	125337-06960	7 - 9	132010-21160	4 - 6
101514-08960	1 - 25	125337-06960	8 - 7-9	132115-01461	4 - 7
125200-05961	3 - 10	125338-13930	7 - 6	132115-44330	4 - 13
125200-05961	7 -	125338-13930	8 - 7-6	132717-06460	4 - 11
125200-05962	3 - 10	125339-42030	7 - 5	145510-42031	3 - 30
125200-05962	7 -	125340-51030	7 - 4	145631-42030	3 - 29
125200-05963	3 - 10	125340-51030	8 - 7-4	145802-08960	3 - 28
125200-05963	7 -	125340-51030	8 - 7-4	145863-08960	3 - 34
125200-05964	3 - 10	125341-42030	7 - 3	145866-42031	3 - 32
125200-05964	7 -	125341-49030	7 - 3	145871-44331	3 - 29
125200-08460	3 - 10	125341-49030	8 - 7-3	145876-42030	3 - 33
125200-08460	7 -	125341-49030	8 - 7-3	156110-04920	2 - 31
125300-13310	7 -	125342-13210	7 - 2	156601-52130	2 - 25
125300-13310	8 -	125342-52130	7 - 2	156626-52730	2 - 25
125303-13310	7 -	125344-52130	7 - 1	156801-09660	2 - 23
125303-13310	8 -	125345-13310	7 - 35	156801-12360	2 - 23
125306-13310	7 - 36	125345-15130	7 - 11	156801-44731	2 - 23
125310-11610	7 - 28	125345-15130	8 - 7-11	159011-03432	2 - 29
125312-12820	7 - 22	125353-20560	7 - 32	159012-01620	2 - 30
125312-42030	7 - 22	125363-11610	7 - 27	159017-10230	2 - 28
125312-42030	8 -	125372-42030	7 - 20	162010-52830	2 - 32
125312-42030	8 -	125376-13120	7 - 31	162021-52130	2 - 32
125313-42030	7 - 17	125376-49030	7 - 31	163400-05960	5 - 5
125314-13930	7 - 13	125378-13930	7 - 30	175000-02962	2 - 45
125316-49030	7 - 12	125381-08660	7 - 26	175005-04560	6 - 5
125317-13310	7 - 18	125381-46730	7 - 26	175009-05131	2 - 43
125317-49030	7 - 18	125383-13310	7 - 24	175014-05360	2 - 40
125318-07360	7 - 15	129011-52730	3 - 16	175016-07330	2 - 44
125318-13120	7 - 15	130010-42032	3 - 5	175018-05960	2 - 42



**Index**

<b>Patrs Number</b>	<b>Key No.</b>	<b>Patrs Number</b>	<b>Key No.</b>	<b>Patrs Number</b>	<b>Key No.</b>
175019-04920	2 - 41	610414-05360	6 - 25	900242-05065	3 - 17
175055-06960	2 - 47	610425-04560	6 - 26	900246-03025	5 - 12
177200-05962	2 - 7	610434-50030	6 - 11	900500-00005	3 - 6
177202-07360	2 - 18	610447-07760	6 - 55	900500-00005	5 - 10
177202-07361	2 - 18	697010-07760	6 - 41	900500-00005	5 - 14
177215-05960	2 - 10	697011-07760	6 - 42	900500-00006	6 - 19
177218-44330	2 - 19	699110-07760	6 - 40	900502-00006	5 - 29
177220-42030	2 - 9	699115-04660	6 - 43	900512-00008	2 - 16
177226-05960	2 - 13	699115-05360	6 - 47	900560-00005	6 - 33
177227-42030	2 - 14	699115-07760	6 - 43	900600-00005	3 - 37
177228-06530	2 - 15	699118-04560	6 - 46	900600-00006	5 - 30
177234-05960	2 - 20	699118-07760	6 - 30	900600-00008	2 - 17
177236-44330	2 - 12	699120-06560	6 - 31	900603-00005	4 - 9
178001-05960	5 - 27	699213-04160	6 - 44	900603-00006	6 - 52
178010-05960	5 - 8	699511-06560	6 - 51	900701-00014	6 - 9
178012-05960	5 - 7	890112-07761	2 - 5	900702-00035	6 - 6
178013-35631	5 - 6	890115-07760	2 - 6	900810-36201	1 - 9
178121-10050	5 - 32	890118-49130	2 - 5	900810-36202	6 - 8
178127-05960	5 - 28	890121-05360	3 - 21	900813-36202	6 - 7
210417-52730	3 - 20	890157-06560	5 - 4	94035-36201	1 - 9
300217-00610	5 - 24	890617-07660	2 - 6	A011-000010	1 - 10
300217-00610	6 - 36	890617-12620	2 - 6	A011-000011	1 - 10
305110-07760	6 - 13	895112-00330	6 - 49	A011-000012	1 - 10
351012-07360	6 - 21	895410-00430	6 - 48	A011-000013	1 - 10
351012-07361	6 - 21	898510-39130	6 - 50	A011-000014	1 - 10
351102-47530	5 - 9	898523-02961	6 - 53	A101-000000	1 - 14
351200-07360	6 - 20	900105-05055	3 - 36	A130-000020	1 - 19
351200-07361	6 - 20	900162-04010	6 - 23	A130-000021	1 - 19
351200-07362	6 - 20	900162-04012	6 - 23	A313-000010	3 - 34
351200-07363	6 - 20	900162-04016	2 - 4	A320-000250	3 - 29
351205-08961	5 - 16	900162-04016	2 - 48	A320-000251	3 - 29
351217-07760	5 - 15	900162-04022	1 - 26	A356-000030	4 - 5
351217-07761	5 - 15	900162-04022	2 - 24	A409-000000	2 - 23
351228-07760	5 - 13	900162-05012	6 - 54	A440-000320	5 - 5
351241-01260	5 - 17	900162-05022	1 - 20	C532-000120	6 - 27
351242-06960	5 - 18	900162-05025	6 - 10	P005-000590	7 - 24
351242-06961	5 - 18	900162-05028	1 - 6	P021-000400	1 - 12
351243-01260	5 - 20	900162-05035	5 - 21	P021-001110	1 - 12
351249-20060	6 - 34	900162-05045	5 - 19	P021-001111	1 - 12
358123-01110	6 - 34	900163-04016	2 - 4	P021-001113	1 - 12
433022-06460	6 - 37	900163-04016	2 - 48	P021-001330	3 - 28
610312-04560	6 - 28	900212-05030	6 - 38	P021-001331	3 - 28
610330-04560	6 - 27	900212-06025	6 - 39	P021-001332	3 - 28
610330-04561	6 - 27	900220-05030	5 - 11	P021-002921	3 - 14
610350-04560	6 - 29	900238-05010	5 - 31	P022-007980	2 - 20
610407-07760	6 - 15	900238-05010	6 - 12	V103-000111	3 - 9
610410-07760	6 - 15	900238-05016	4 - 8	V104-000000	3 - 32
610411-05361	6 - 24	900238-05020	3 - 8	V104-000001	3 - 32
610411-07760	6 - 24	900242-04010	3 - 35	V104-000002	3 - 32

**Index**

<b>Patrs Number</b>	<b>Key No.</b>	<b>Patrs Number</b>	<b>Key No.</b>	<b>Patrs Number</b>	<b>Key No.</b>
V104-000003	3 - 32				
V104-000160	3 - 30				
V471-001180	4 - 6				
V475-001900	2 - 33				
X411-000060	6 - 41				
X411-000070	6 - 42				
X411-000360	6 - 41				
X411-000370	6 - 42				
X425-000040	6 - 40				
X425-000250	6 - 40				

# YAMABIKO CORPORATION

7-2 SUEHIROCHO 1-CHOME, OHME, TOKYO 198-8760, JAPAN  
PHONE: 81-428-32-6118. FAX: 81-428-32-6145.



2000  
No.