



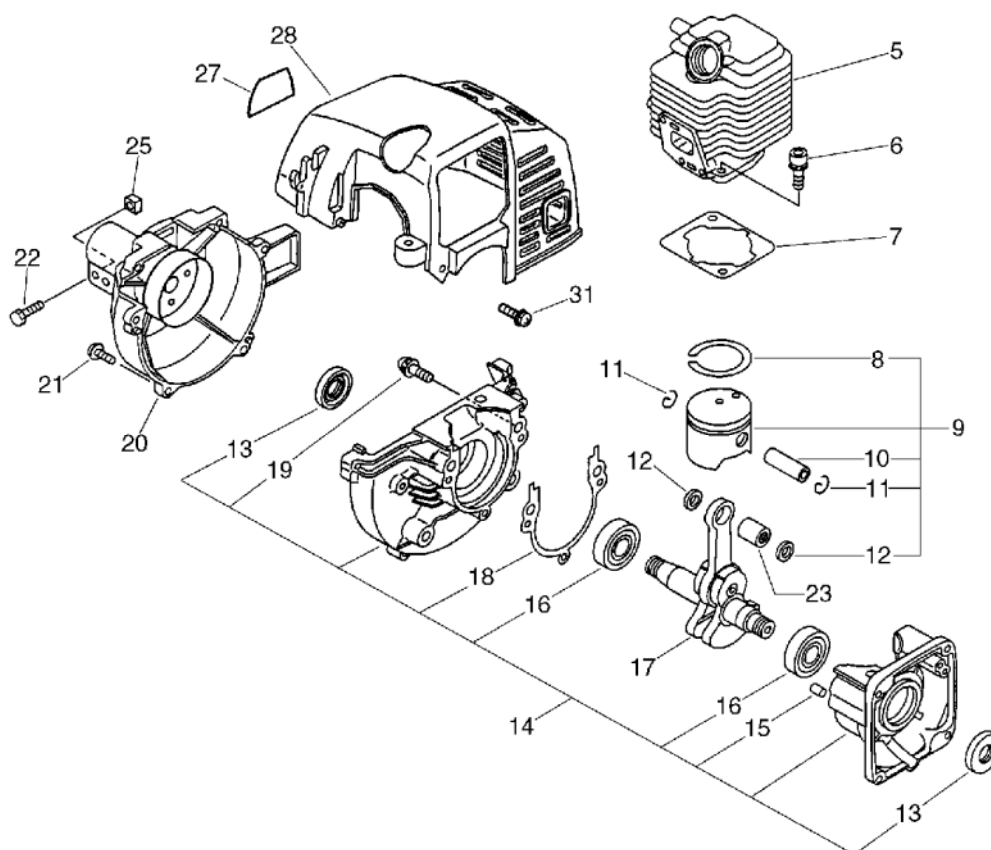
PARTS CATALOGUE

GRASS-TRIMMER / BRUSHCUTTER

GT-2010

1. Cylinder, Crankcase, Piston, Fan Cover

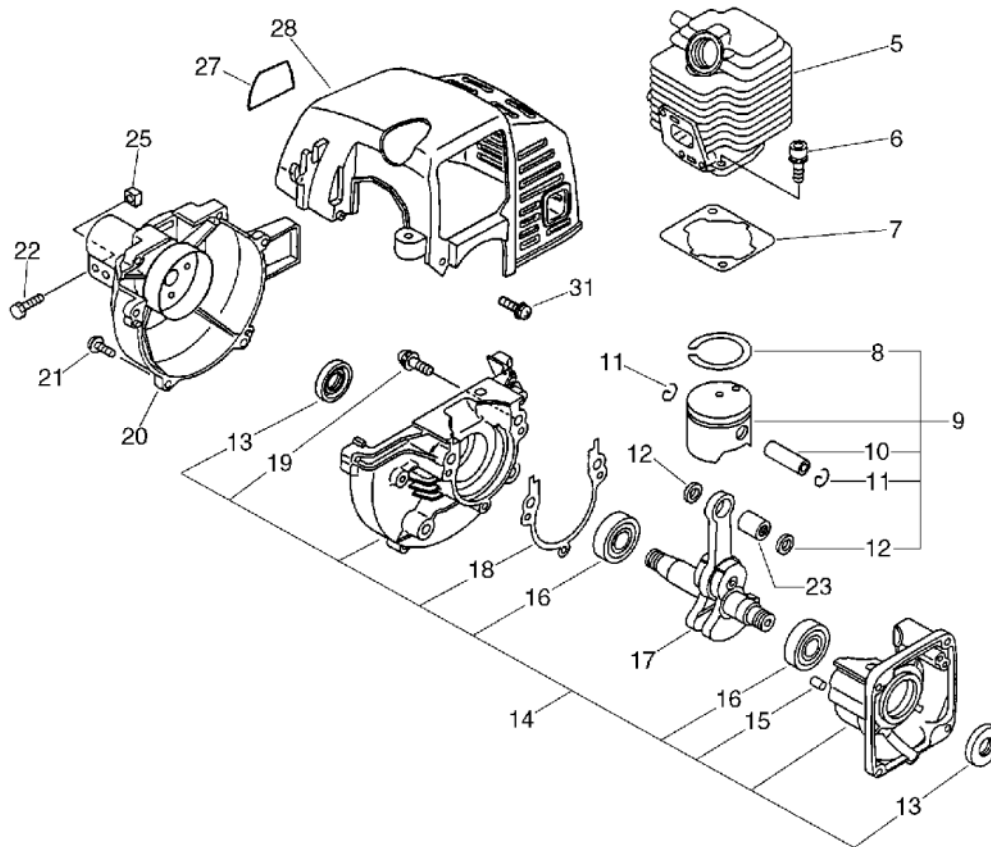
No.1



KEY	LV	PART NUMBER	Q'TY	DESCRIPTION	REMARKS	NOTE1	NOTE2
5		101011-45230	1	CYLINDER			
6		900162-05022	2	BOLT, H.S. 5*22	5*22 W,SW		
7		101010-44331	1	GASKET, CYL. BASE		Sus. by 101010-44332	
7		101010-44332	1	GASKET, CYL. BASE			
9		100000-44331	1	PISTON KIT			
8	+	100011-05330	1	RING, PISTON			
10	+	100013-11520	1	PIN, PISTON			
11	+	100015-04630	2	CIRCLIP, PISTON PIN			
12	+	100014-11520	2	SPACER, PISTON PIN			
14		100204-51030	1	CRANKCASE KIT		Sus. by 100204-51031	
14		100204-51031	1	CRANKCASE KIT			
13	+	100212-42030	2	OILSEAL	ISCD12*22*4.5	Sus. by 100212-42031	
13	+	100212-42031	2	OILSEAL	ISCD 12*22*4.5		
15	+	100215-03930	2	PIN, DOWEL			
16	+	900810-36201	2	BEARING, BALL 6201	6201/C3	Sus. by 94035-36201	
16	+	94035-36201	2	BEARING BALL	6201X3JR2C3		
18	+	100242-42030	1	GASKET, CRANKCASE			
19	+	900162-05028	3	BOLT, H.S. 5*28	5*28 W,SW		
17		100100-44331	1	CRANKSHAFT ASSY		Sus. by 100100-44332	
17		100100-44332	1	CRANKSHAFT			

1. Cylinder, Crankcase, Piston, Fan Cover

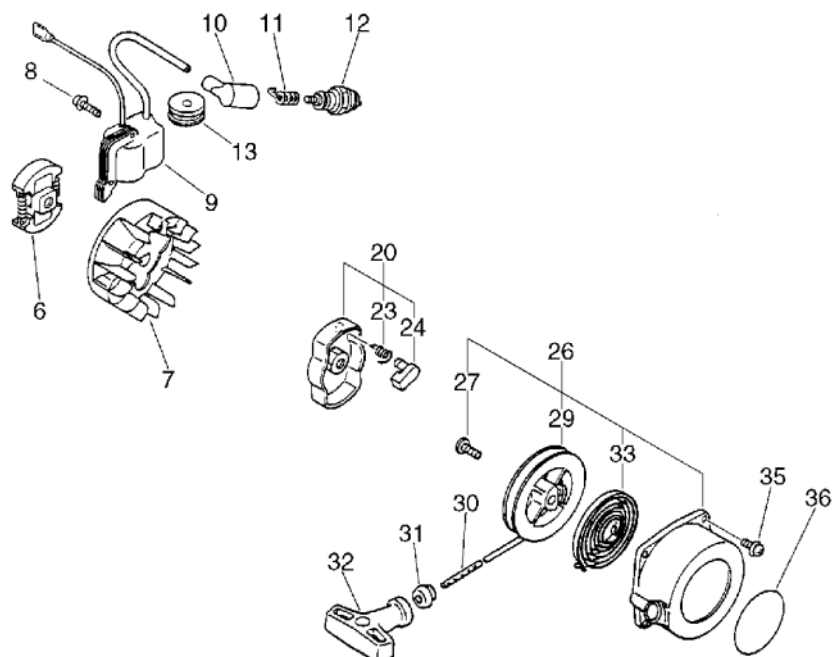
No.1



KEY	LV	PART NUMBER	Q'TY	DESCRIPTION	REMARKS	NOTE1	NOTE2
23	+	100012-51230	1	BEARING, NEEDLE	8*12*10	Sus. by V553-000010	
23	+	V553-000010	1	BEARING, NEEDLE 8	HK0810		
20		101503-44330	1	COVER ASSY, FAN			
21		900238-04016	4	SCREW 4*16	4*16		
22		900142-05028	2	BOLT 5*28 (W/W,SW)	5*28		
25		900565-50005	2	NUT 5	5		
27		890112-46830	1	LABEL, MODEL			
28		101514-44330	1	COVER, CYLINDER (BS)			
31		900238-04016	2	SCREW 4*16	4*16		

2. Starter, Magneto, Clutch

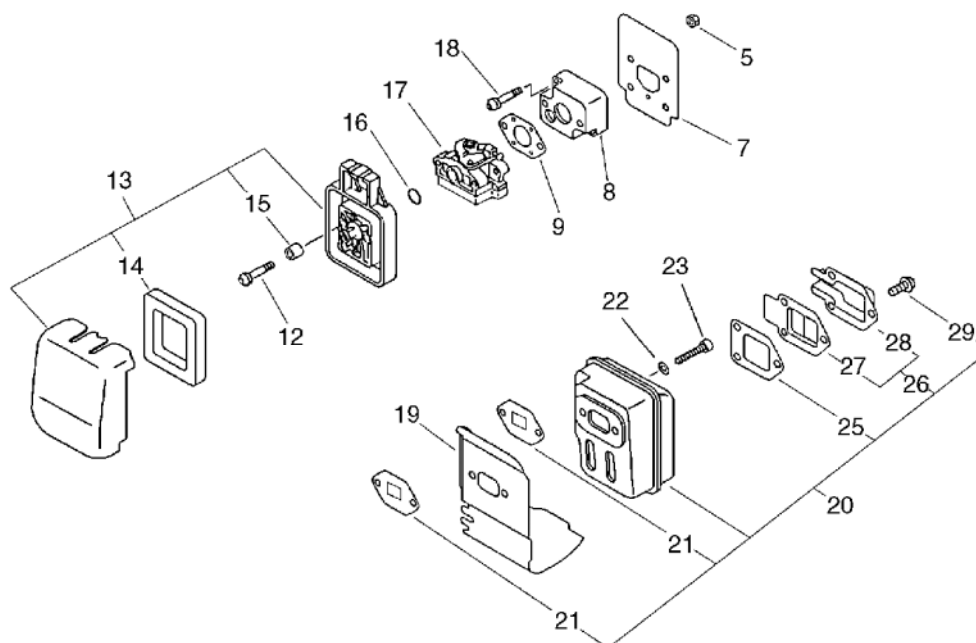
No.2



KEY	LV	PART NUMBER	Q'TY	DESCRIPTION	REMARKS	NOTE1	NOTE2
6		175000-52130	1	CLUTCH ASSY		Sus. by 175000-52131	
6		175000-52131	1	CLUTCH ASSEMBLY			
7		156801-44330	1	FLYWHEEL			
8		900238-04022	2	SCREW 4*22	4*22		
9		156601-42030	1	C.D. IGNITION MODULE			
10		159012-01620	1	CAP, SPARK PLUG			
11		159011-03432	1	COIL, SPARK PLUG			
12		159010-10630	1	PLUG, SPARK (BPM-7A)	BPM-7A		
13		150112-00310	1	BUSHING			
20		177202-44330	1	PAWL ASSY, STARTER		Sus. by 177202-44331	
20		177202-44331	1	PAWL ASM., STARTER			
23	+	177234-42030	1	SPRING, RETURN		Sus. by 177234-12220	
23	+	177234-12220	1	SPRING, PAWL			
24	+	177218-44330	1	PAWL, STARTER	BLACK		
26		177200-42033	1	STARTER ASSY			
27	+	177236-44330	1	SCREW			
29	+	177215-44430	1	DRUM, STARTER			
30	+	177226-10120	1	ROPE, STARTER	3.0*1000		
31	+	177227-42030	1	GUIDE, ROPE			
32	+	177228-06530	1	GRIP, STARTER			
33	+	177220-42030	1	SPRING, REWIND			
35		900238-04016	2	SCREW 4*16	4*16		
36		890118-44330	1	LABEL, ECHO			

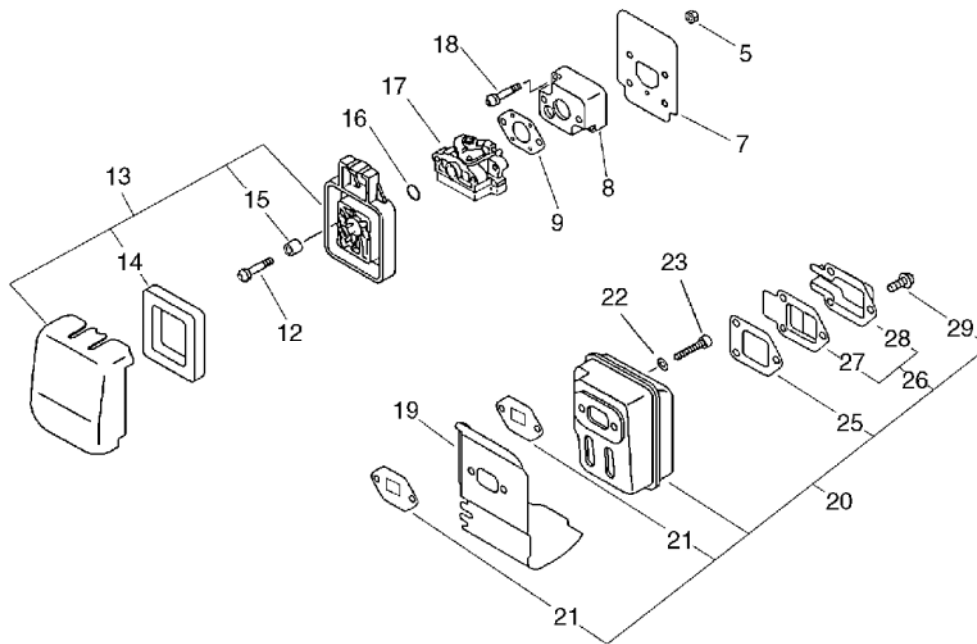
3. Air Cleaner, Muffler

No.3



KEY	LV	PART NUMBER	Q'TY	DESCRIPTION	REMARKS	NOTE1	NOTE2
5		900500-00005	2	NUT 5	5		
7		130010-42032	1	GASKET,INTAKE			
8		130017-44330	1	INSULATOR			
9		130010-44431	1	GASKET, INTAKE			
12		900242-05064	2	SCREW 5*64	5*64		
13		130300-45130	1	CLEANER ASSY, AIR			
14	+	130310-44330	1	FILTER, AIR			
15	+	130327-44330	2	SLEEVE			
16		900720-00015	1	O-RING 15	P-15		
17		123000-44430	1	CARBURETOR ASSY	WYL-1		
18		900238-05022	2	SCREW 5*22	5*22		
19		145631-42030	1	COVER, MUFFLER		Sus. by A320-000251	
19		A320-000250	1	COVER,MUFFLER		Sus. by A320-000251	
19		A320-000251	1	COVER,MUFFLER			
20		P021-000050	1	MUFFLER ASY			
21	+	145510-42031	2	GASKET, MUFFLER		Sus. by V104-000160	
21	+	V104-000160	2	GASKET,EXHAUST			
25	+	145866-42031	1	GASKET, MUFFLER LID			
26	+	145809-42030	1	LID, MUFFLER			
27	++	145876-42030	1	LID, MUFFLER (B)			
28	++	145863-42030	1	HOLDER, SCREEN			
29	+	900242-04010	3	SCREW 4*10	4*10		
22		900600-00005	2	WASHER 5	5		

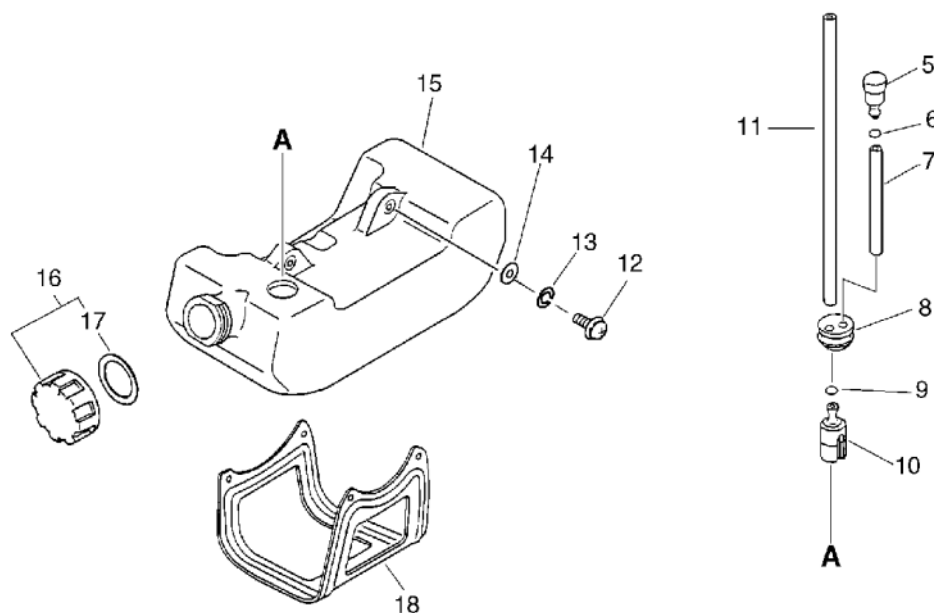
3. Air Cleaner, Muffler
No.3



KEY	LV	PART NUMBER	Q'TY	DESCRIPTION	REMARKS	NOTE1	NOTE2
23		900105-05055	2	BOLT, H.S. 5*55	5*55		

4. Fuel Tank

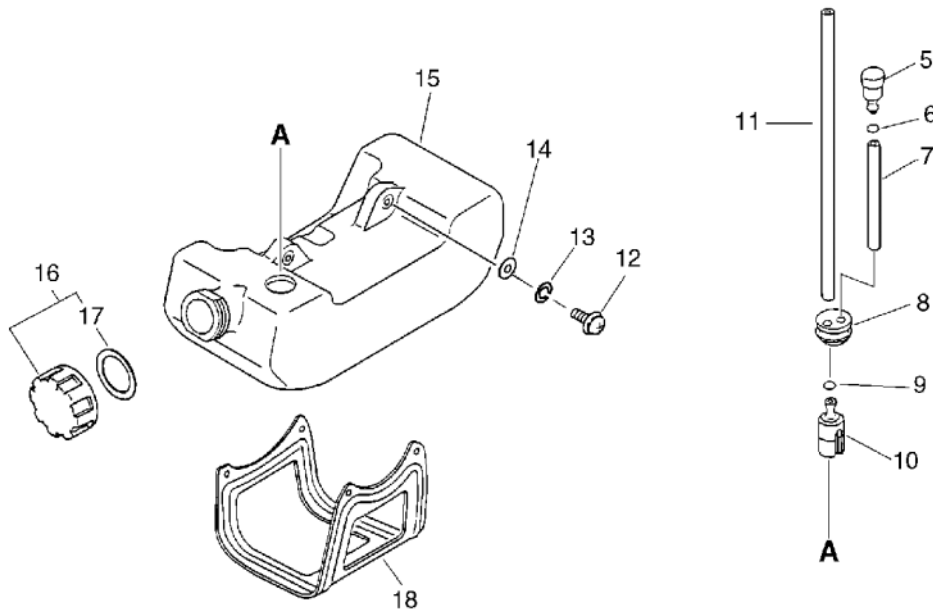
No.4



KEY	LV	PART NUMBER	Q'TY	DESCRIPTION	REMARKS	NOTE1	NOTE2
5		131300-40630	1	VALVE, CHECK		Sus. by 131300-56430	
5		131300-56430	1	VALVE, CHECK			
6		132013-02361	1	CLIP, PIPE	5≧J	Sus. by 130111-00530	
6		130111-00530	1	CLIP	5.5		
7		131312-44330	1	PIPE, 3*5*70L	3*5*70L NBR	Sus. by V471-001200	
7		V471-001200	1	PIPE	3*5*70 NBR		
8		132115-44330	1	GROMMET			
9		132013-09820	1	CLIP	6MM		
10		131205-07320	1	STRAINER, FUEL			
11		132010-13930	1	PIPE, FUEL	3*5*180L NBR	Sus. by V471-001190	
11		V471-001190	1	PIPE	3*5*180 NBR		
12		900220-05016	2	SCREW 5*16	5*16		
13		900605-00005	2	WASHER, SPRING 5	5		
14		900603-00005	2	WASHER 5	5.5*12*0.8		
15		131005-44430	1	TANK, FUEL		Sus. by 131005-44332	
15		131005-44331	1	TANK, FUEL		Sus. by 131005-44332	
15		131005-44332	1	TANK, FUEL			
16		131004-41030	1	CAP ASSY, FUEL TANK		Sus. by 131004-53530	
16		131004-53530	1	CAP ASSY, FUEL TANK			

4. Fuel Tank

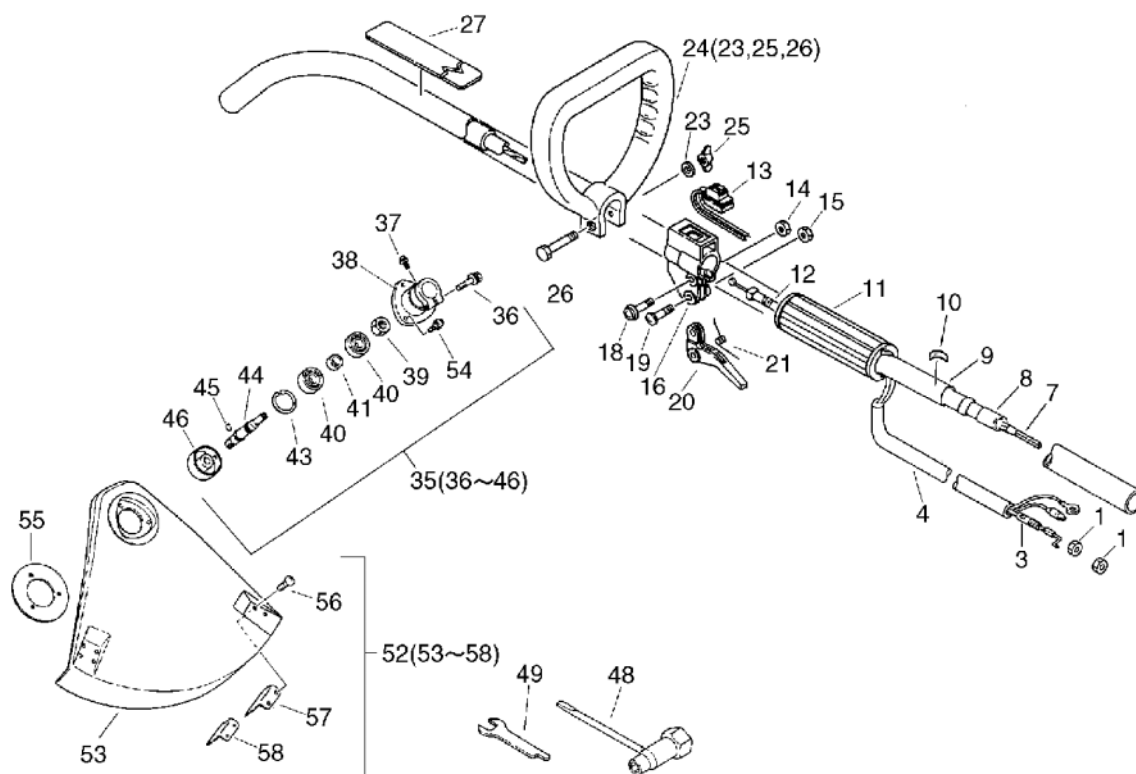
No.4



KEY	LV	PART NUMBER	Q'TY	DESCRIPTION	REMARKS	NOTE1	NOTE2
17	+	131016-40930	1	GASKET, FUEL CAP		Can be used on the 131004-41030 only	
17	+	131016-55830	1	GASKET, FUEL CAP		Can be used on the 131004-53530 only	
18		305110-42030	1	STAND (BL)			

5. Handle, Gear Case, Shield, Tools

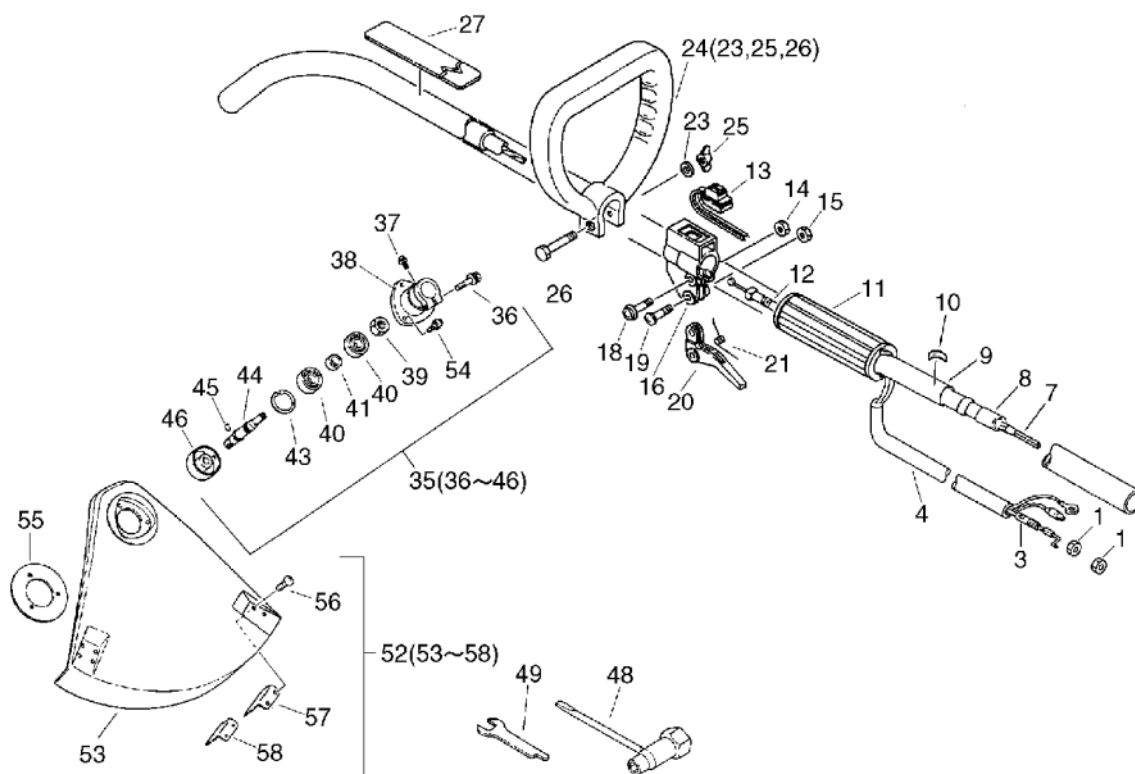
No.5



KEY	LV	PART NUMBER	Q'TY	DESCRIPTION	REMARKS	NOTE1	NOTE2
1		900502-00006	2	NUT 6 (3N)	3N6		
3		178001-44330	1	WIRE, THROTTLE	314*396		
4		178127-24030	1	TUBE	10*11*160		
7		610013-09630	1	SHAFT, FLEXIBLE			
8		610217-09630	1	LINER, FLEXIBLE			
9		610210-40630	1	HOUSING, DRV. SHAFT			
10		890152-04930	1	LABEL, CAUTION			
11		351111-09630	1	GRIP		Sus. by 351111-09631	
11		351111-09631	1	GRIP, HANDLE			
12		178048-05630	1	HOLDER, THR. WIRE			
13		163400-44430	1	SWITCH, IGNITION			
14		900500-00005	1	NUT 5	5		
15		900560-00005	1	NUT, LOCK 5	5		
16		178024-09630	1	BRACKET, THROTTLE			
18		900242-05028	1	SCREW 5*28	5*28		
19		178110-05330	1	SCREW			
20		178010-05631	1	CONTROL, THROTTLE			
21		178043-06930	1	SPRING, THR. RETURN			
24		351600-09630	1	HANDLE ASS'Y			
23	+	900600-00006	1	WASHER 6	6		
25	+	900525-00006	1	NUT, WING 6	BN6		
26	+	900100-06040	1	BOLT 6*40	6*40		
27		890160-46830	1	LABEL, CAUTION			
35		610400-26630	1	HOUSING ASS'Y, BRG.			
36	+	900152-05025	1	BOLT 5*25	5*25		

5. Handle, Gear Case, Shield, Tools

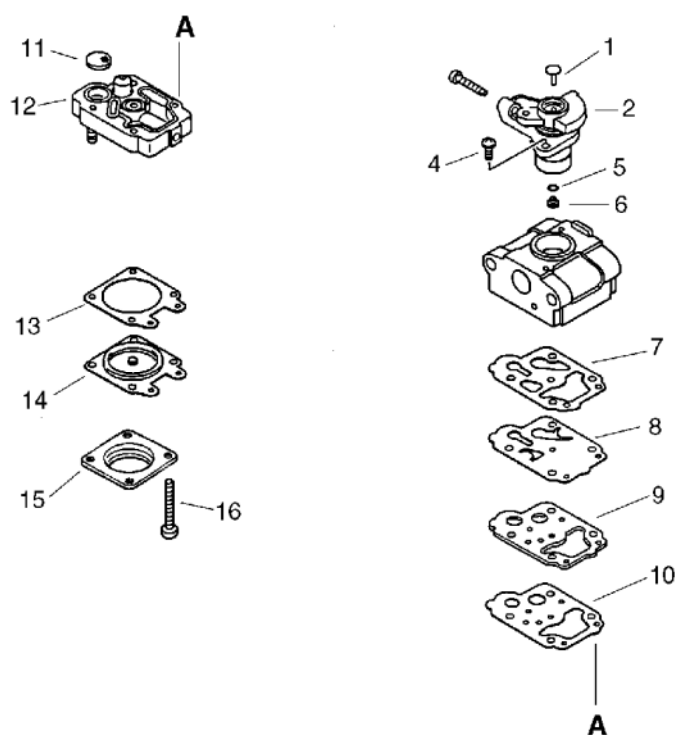
No.5



KEY	LV	PART NUMBER	Q'TY	DESCRIPTION	REMARKS	NOTE1	NOTE2
37	+	900242-04010	1	SCREW 4*10	4*10		
38	+	610410-23330	1	CASE, GEAR			
39	+	900513-00012	1	NUT 12*1.25 3N L-H	3N12*1.25		
40	+	900802-06001	2	BEARING, BALL 6001	6001DDU(LLU)	Sus. by 94042-06001	
40	+	94042-06001	2	BEARING BALL	6001LLU		
41	+	610315-06530	1	SPACER			
43	+	900702-00028	1	CIRCLIP 28	CR-28		
44	+	610310-26630	1	SHAFT, P.T.O.			
45	+	900305-30006	1	PIN 3*6	3*6		
46	+	610313-06530	1	PLATE, ADAPTER (U)			
48		895410-09630	1	WRENCH, W/S. DRIVER		Sus. by 895410-07630	
48		895410-07630	1	WRENCH, W/S. DRIVER			
49		895015-26630	1	SPANNER 10		Sus. by 895015-09631	
49		895015-09631	1	SPANNER 10			
52		699000-23231	1	SHIELD ASSY			
53	+	699017-23231	1	SHIELD			
54	+	900242-04022	3	SCREW 4*22	4*22		
55	+	699015-23231	1	BRACKET, SHIELD			
56	+	900242-05014	2	SCREW 5*14	5*14		
57	+	699016-23231	1	CUTTER			
58	+	699212-23230	1	PROTECTOR			

6. Carburetor

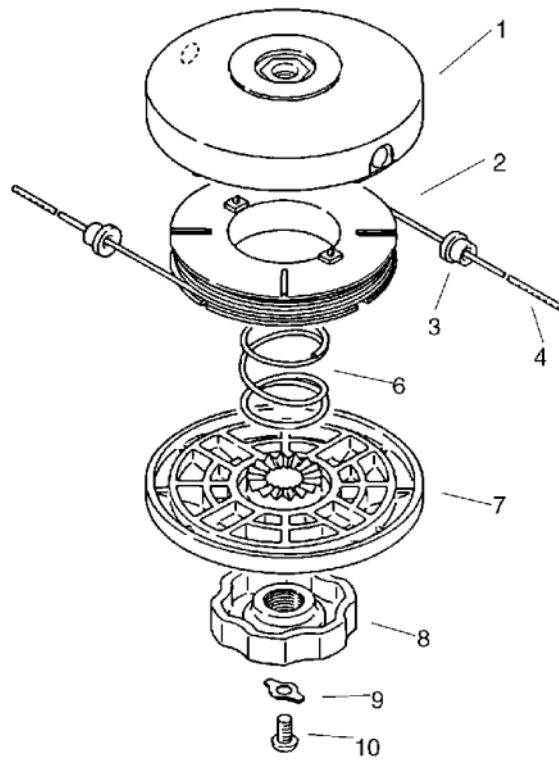
No.6



KEY	LV	PART NUMBER	Q'TY	DESCRIPTION	REMARKS	NOTE1	NOTE2
		123000-44430	1	CARBURETOR ASSY	WYL-1		
1	+	123146-44330	1	PLUG, WELCH			
2	+	123116-44330	1	VALVE, THROTTLE			
4	+	123114-44330	2	SCREW			
5	+	123183-40630	1	O-RING			
6	+	123184-44330	1	JET #37	#37		
7	+	123125-40630	1	GASKET, PUMP			
8	+	123112-40630	1	DIAPHRAGM, PUMP			
9	+	123160-40630	1	PLATE, PUMP			
10	+	123159-40630	1	GASKET, PLATE			
11	+	123126-10631	1	SCREEN, INLET			
12	+	123179-44330	1	BODY ASSY, PUMP			
13	+	123140-03930	1	GASKET, M. DIAPHRAGM			
14	+	123141-03930	1	DIAPHRAGM, METERING			
15	+	123142-03930	1	COVER, M. DIAPHRAGM			
16	+	123144-44330	4	SCREW			

7. Nylon Line Cutting Head

No.7



KEY	LV	PART NUMBER	Q'TY	DESCRIPTION	REMARKS	NOTE1	NOTE2
1		696205-07933	1	DRUM, CORD REEL			
2		696214-06830	1	REEL, CORD			
3		696212-06032	2	EYELET			
4		696215-22830	2	CORD, NYLON(2.4*2.5)			
6		696216-06030	1	SPRING			
7		696206-06032	1	COVER, DRUM (JY)			
8		696219-07931	1	NUT (JY)			
9		696220-06030	1	STOPPER, NUT			
10		900220-06010	1	SCREW 6*10	6*10		

Index

Patrs Number	Key No.	Patrs Number	Key No.	Patrs Number	Key No.
100000-44331	1 - 9	131016-55830	4 - 17	610217-09630	5 - 8
100011-05330	1 - 8	131205-07320	4 - 10	610310-26630	5 - 44
100012-51230	1 - 23	131300-40630	4 - 5	610313-06530	5 - 46
100013-11520	1 - 10	131300-56430	4 - 5	610315-06530	5 - 41
100014-11520	1 - 12	131312-44330	4 - 7	610400-26630	5 - 35
100015-04630	1 - 11	132010-13930	4 - 11	610410-23330	5 - 38
100100-44331	1 - 17	132013-02361	4 - 6	696205-07933	7 - 1
100100-44332	1 - 17	132013-09820	4 - 9	696206-06032	7 - 7
100204-51030	1 - 14	132115-44330	4 - 8	696212-06032	7 - 3
100204-51031	1 - 14	145510-42031	3 - 21	696214-06830	7 - 2
100212-42030	1 - 13	145631-42030	3 - 19	696215-22830	7 - 4
100212-42031	1 - 13	145809-42030	3 - 26	696216-06030	7 - 6
100215-03930	1 - 15	145863-42030	3 - 28	696219-07931	7 - 8
100242-42030	1 - 18	145866-42031	3 - 25	696220-06030	7 - 9
101010-44331	1 - 7	145876-42030	3 - 27	699000-23231	5 - 52
101010-44332	1 - 7	150112-00310	2 - 13	699015-23231	5 - 55
101011-45230	1 - 5	156601-42030	2 - 9	699016-23231	5 - 57
101503-44330	1 - 20	156801-44330	2 - 7	699017-23231	5 - 53
101514-44330	1 - 28	159010-10630	2 - 12	699212-23230	5 - 58
123000-44430	3 - 17	159011-03432	2 - 11	890112-46830	1 - 27
123000-44430	6 -	159012-01620	2 - 10	890118-44330	2 - 36
123112-40630	6 - 8	163400-44430	5 - 13	890152-04930	5 - 10
123114-44330	6 - 4	175000-52130	2 - 6	890160-46830	5 - 27
123116-44330	6 - 2	175000-52131	2 - 6	895015-09631	5 - 49
123125-40630	6 - 7	177200-42033	2 - 26	895015-26630	5 - 49
123126-10631	6 - 11	177202-44330	2 - 20	895410-07630	5 - 48
123140-03930	6 - 13	177202-44331	2 - 20	895410-09630	5 - 48
123141-03930	6 - 14	177215-44430	2 - 29	900100-06040	5 - 26
123142-03930	6 - 15	177218-44330	2 - 24	900105-05055	3 - 23
123144-44330	6 - 16	177220-42030	2 - 33	900142-05028	1 - 22
123146-44330	6 - 1	177226-10120	2 - 30	900152-05025	5 - 36
123159-40630	6 - 10	177227-42030	2 - 31	900162-05022	1 - 6
123160-40630	6 - 9	177228-06530	2 - 32	900162-05028	1 - 19
123179-44330	6 - 12	177234-12220	2 - 23	900220-05016	4 - 12
123183-40630	6 - 5	177234-42030	2 - 23	900220-06010	7 - 10
123184-44330	6 - 6	177236-44330	2 - 27	900238-04016	1 - 21
130010-42032	3 - 7	178001-44330	5 - 3	900238-04016	1 - 31
130010-44431	3 - 9	178010-05631	5 - 20	900238-04016	2 - 35
130017-44330	3 - 8	178024-09630	5 - 16	900238-04022	2 - 8
130111-00530	4 - 6	178043-06930	5 - 21	900238-05022	3 - 18
130300-45130	3 - 13	178048-05630	5 - 12	900242-04010	3 - 29
130310-44330	3 - 14	178110-05330	5 - 19	900242-04010	5 - 37
130327-44330	3 - 15	178127-24030	5 - 4	900242-04022	5 - 54
131004-41030	4 - 16	305110-42030	4 - 18	900242-05014	5 - 56
131004-53530	4 - 16	351111-09630	5 - 11	900242-05028	5 - 18
131005-44331	4 - 15	351111-09631	5 - 11	900242-05064	3 - 12
131005-44332	4 - 15	351600-09630	5 - 24	900305-30006	5 - 45
131005-44430	4 - 15	610013-09630	5 - 7	900500-00005	3 - 5
131016-40930	4 - 17	610210-40630	5 - 9	900500-00005	5 - 14

Index

Patrs Number	Key No.	Patrs Number	Key No.	Patrs Number	Key No.
900502-00006	5 - 1				
900513-00012	5 - 39				
900525-00006	5 - 25				
900560-00005	5 - 15				
900565-50005	1 - 25				
900600-00005	3 - 22				
900600-00006	5 - 23				
900603-00005	4 - 14				
900605-00005	4 - 13				
900702-00028	5 - 43				
900720-00015	3 - 16				
900802-06001	5 - 40				
900810-36201	1 - 16				
94035-36201	1 - 16				
94042-06001	5 - 40				
A320-000250	3 - 19				
A320-000251	3 - 19				
P021-000050	3 - 20				
V104-000160	3 - 21				
V471-001190	4 - 11				
V471-001200	4 - 7				
V553-000010	1 - 23				

YAMABIKO CORPORATION

7-2 SUEHIROCHO 1-CHOME, OHME, TOKYO 198-8760, JAPAN
PHONE: 81-428-32-6118. FAX: 81-428-32-6145.



2010
No.