



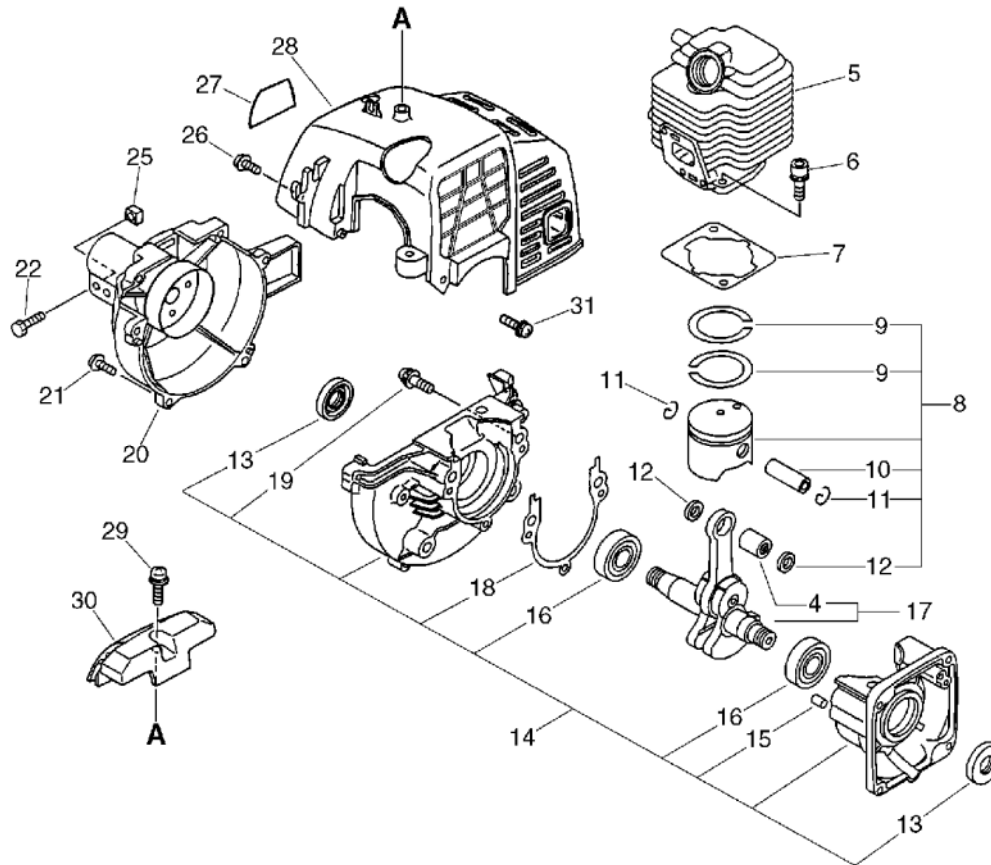
PARTS CATALOGUE

GRASS-TRIMMER / BRUSHCUTTER

GT-2000SB

1. Cylinder, Crankcase, Piston, Fan Cover

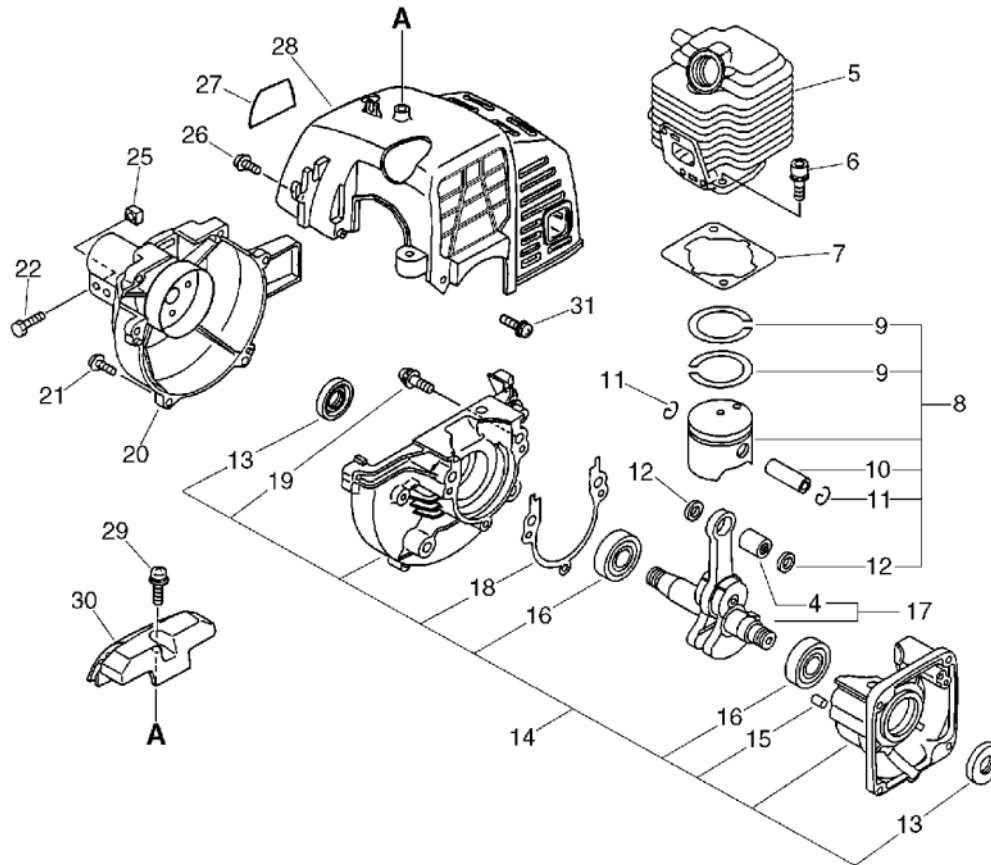
No.1



KEY	LV	PART NUMBER	Q'TY	DESCRIPTION	REMARKS	NOTE1	NOTE2
5		101011-06562	1	CYLINDER			
5		A130-000010	1	CYLINDER		Sus. by A130-000011	
5		A130-000011	1	CYLINDER		Next production	
6		900162-05022	2	BOLT, H.S. 5*22	5*22 W,SW		
7		101010-44332	1	GASKET, CYL. BASE			
8		100000-48732	1	PISTON KIT			
8		P021-001100	1	PISTON KIT		Sus. by P021-001101	
8		P021-001101	1	PISTON KIT		Next production	
9	+	100011-05330	2	RING, PISTON			
9	+	A101-000000	2	RING,PISTON		Next production	
10	+	100013-11520	1	PIN, PISTON			
11	+	100015-04630	2	CIRCLIP, PISTON PIN			
12	+	100014-11520	2	SPACER, PISTON PIN			
14		100204-52130	1	CRANKCASE KIT		Sus. by 100204-52132	
14		100204-52131	1	CRANKCASE KIT		Sus. by 100204-52132	
14		100204-52132	1	CRANKCASE KIT			
13	+	100212-42030	2	OILSEAL	ISCD12*22*4.5	Sus. by 100212-42031	

1. Cylinder, Crankcase, Piston, Fan Cover

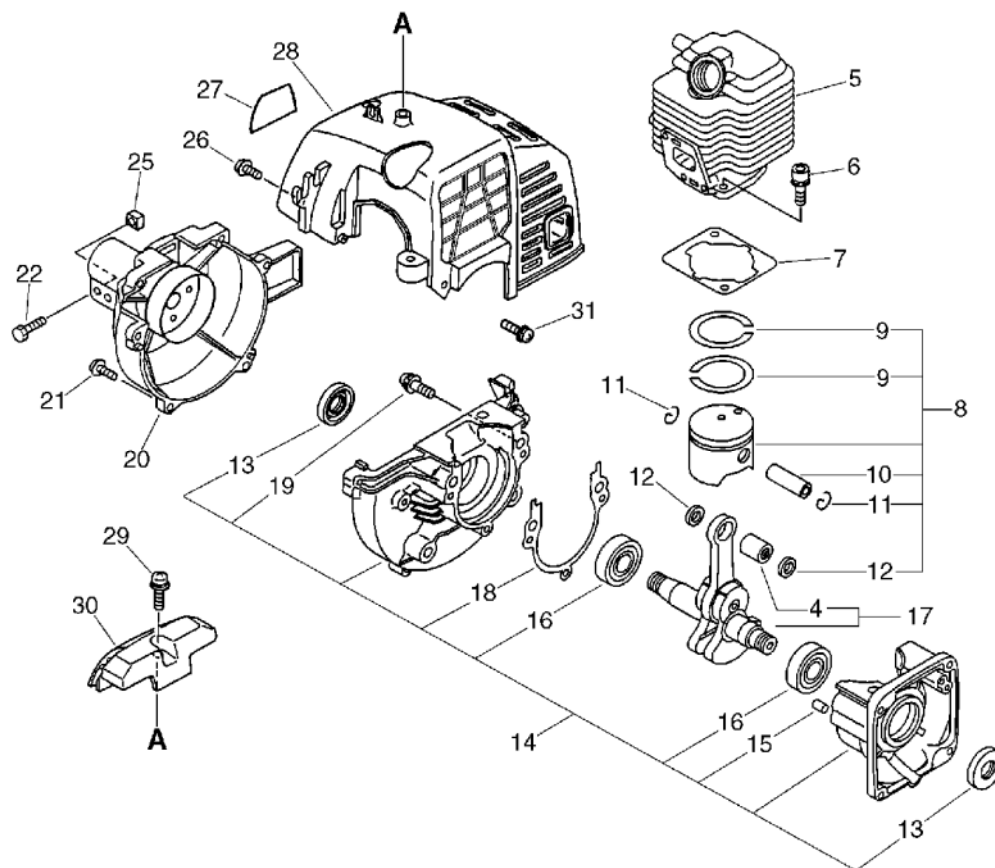
No.1



KEY	LV	PART NUMBER	Q'TY	DESCRIPTION	REMARKS	NOTE1	NOTE2
13	+	100212-42031	2	OILSEAL	ISCD 12*22*4.5		
15	+	100215-03930	2	PIN, DOWEL			
16	+	900810-36201	2	BEARING, BALL 6201	6201/C3		
18	+	100242-42030	1	GASKET, CRANKCASE			
19	+	900162-05028	3	BOLT, H.S. 5*28	5*28 W,SW		
17		100100-44732	1	CRANKSHAFT ASSY			
17		A011-000000	1	CRANKSHAFT,ASM		Sus. by A011-000002	
17		A011-000001	1	CRANKSHAFT,ASM		Sus. by A011-000002	
17		A011-000002	1	CRANKSHAFT,ASM		Next production	
4	+	100012-51230	1	BEARING, NEEDLE	8*12*10	Sus. by V553-000010	
4	+	V553-000030	1	BEARING,NEEDLE 8		Sus. by V553-000010	
4	+	V553-000010	1	BEARING,NEEDLE 8	HK0810		
20		101503-56630	1	COVER ASSY, FAN			
21		900162-04018	4	BOLT, H.S. 4*18	4*18 W,SW	Sus. by 900163-04018	
21		900163-04018	4	BOLT HSH			
22		900142-05028	2	BOLT 5*28 (W/W,SW)	5*28		
25		900565-50005	2	NUT 5	5		
26		900162-04016	2	BOLT, H.S. 4*16	4*16 W,SW		
27		890112-56630	1	LABEL, MODEL			

1. Cylinder, Crankcase, Piston, Fan Cover

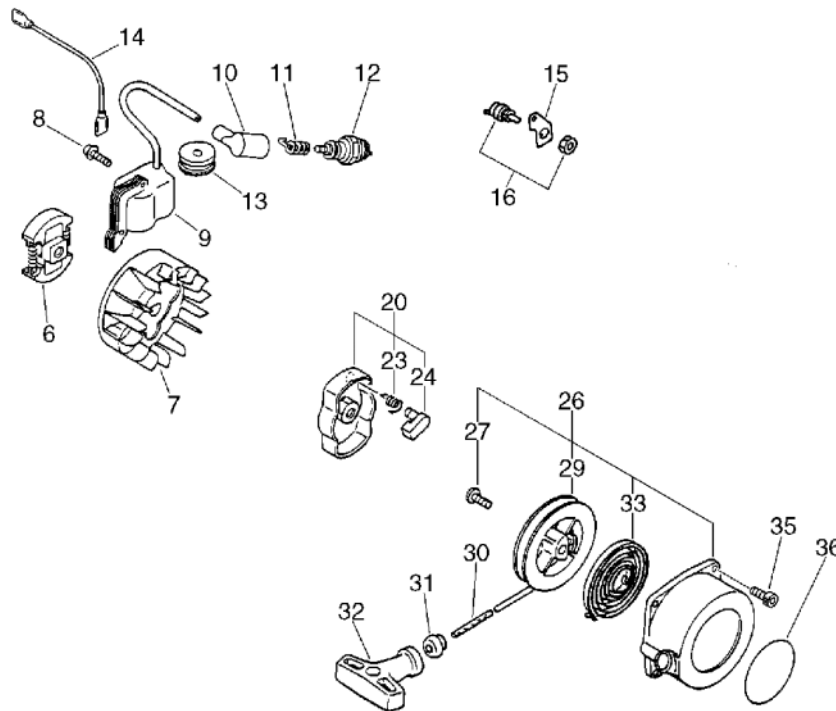
No.1



KEY	LV	PART NUMBER	Q'TY	DESCRIPTION	REMARKS	NOTE1	NOTE2
28		101514-48730	1	COVER, CYLINDER		Sus. by 101514-48731	
28		101514-48731	1	COVER, CYLINDER			
29		900253-05016	1	SCREW	5*16		
30		159912-48630	1	GUARD, TOP			
31		900253-04012	2	SCREW	4*12		

2. Starter, Magneto, Clutch

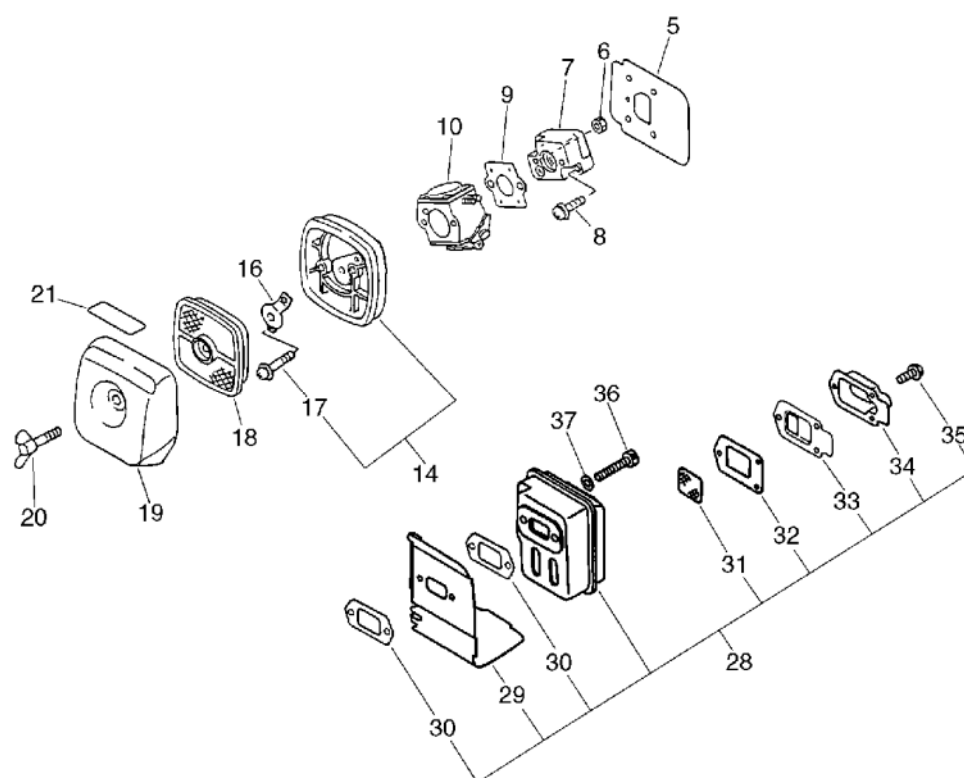
No.2



KEY	LV	PART NUMBER	Q'TY	DESCRIPTION	REMARKS	NOTE1	NOTE2
6		175000-56830	1	CLUTCH ASSY			
7		156801-09660	1	FLYWHEEL			
8		900162-04022	2	BOLT, H.S. 4*22	4*22 W,SW		
9		156626-52730	1	COIL, IGNITION			
10		159012-03433	1	CAP, SPARK PLUG		Sus.by 159012-01620	
10		159012-01620	1	CAP, SPARK PLUG			
11		159011-03432	1	COIL, SPARK PLUG			
12		159017-10230	1	PLUG, SPARK (RCJ-7Y)	RCJ-7Y		
13		150112-44330	1	BUSHING			
14		162010-52830	1	LEAD, GROUND			
15		163810-44330	1	BRACKET, SWITCH			
16		163400-03460	1	SWITCH, IGNITION			
20		177202-44330	1	PAWL ASSY, STARTER			
23	+	177234-42030	1	SPRING, RETURN			
24	+	177218-44330	1	PAWL, STARTER	BLACK		
26		177200-42033	1	STARTER ASSY			
27	+	177236-44330	1	SCREW			
29	+	177215-44430	1	DRUM, STARTER			
30	+	177226-10120	1	ROPE, STARTER	3.0*1000		
31	+	177227-42030	1	GUIDE, ROPE			
32	+	177228-06530	1	GRIP, STARTER			
33	+	177220-42030	1	SPRING, REWIND			
35		900162-04016	2	BOLT, H.S. 4*16	4*16 W,SW		
36		890118-49130	1	LABEL, ECHO			

3. Air Cleaner, Muffler

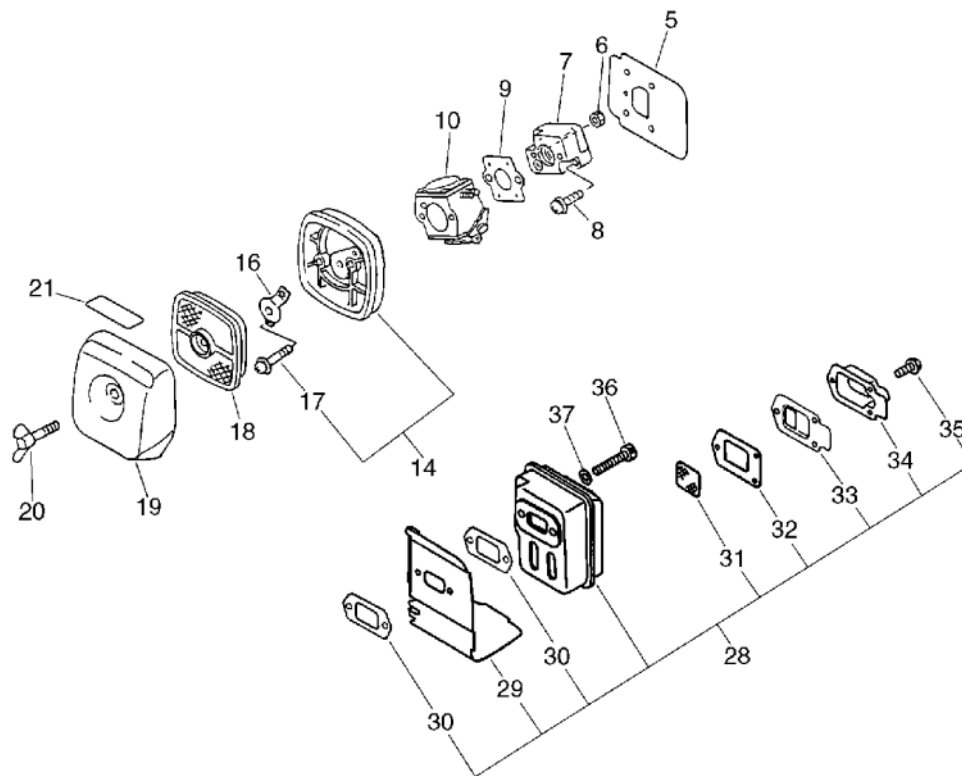
No.3



KEY	LV	PART NUMBER	Q'TY	DESCRIPTION	REMARKS	NOTE1	NOTE2
5		130010-42032	1	GASKET,INTAKE			
6		900500-00005	2	NUT 5	5		
7		130017-42031	1	INSULATOR, INTAKE			
8		900238-05020	2	SCREW 5*20	5*20		
9		130016-42031	1	GASKET, INTAKE			
10		125200-13311	1	CARBURETOR C1U-K52	C1U-K52	Sus. by 125200-13314	
10		125200-13312	1	CARBURETOR	C1U-K52	Sus. by 125200-13314	
10		125200-13313	1	CARBURETOR	C1U-K52	Sus. by 125200-13314	
10		125200-13314	1	CARBURETOR	C1U-K52		
14		130307-06561	1	CASE, AIR CLEANER		Sus. by P021-002921	
14		P021-002921	1	CASE, AIR CLEANER			
17	+	900242-05065	2	SCREW 5*65	5*65		
16		129011-52730	1	PLATE, PREVENT			
18		130310-54130	1	FILTER, AIR			
19		130313-06563	1	LID, AIR CLEANER			
20		210417-52730	1	BOLT, WING	5*20		
21		890121-06360	1	LABEL, CHOKE			
28		145800-54130	1	MUFFLER ASSY		Sus. by P021-000314	
28		P021-000310	1	MUFFLER ASY		Sus. by P021-000314	

3. Air Cleaner, Muffler

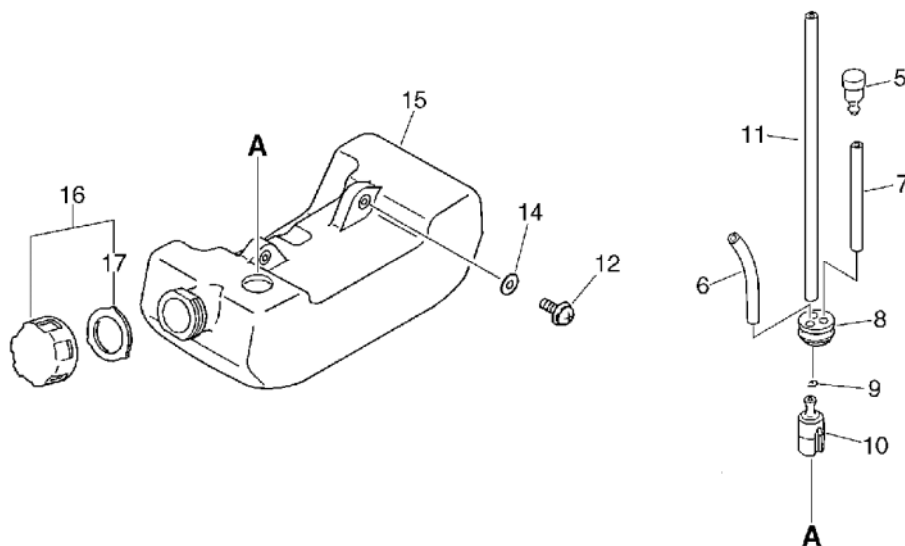
No.3



KEY	LV	PART NUMBER	Q'TY	DESCRIPTION	REMARKS	NOTE1	NOTE2
28		P021-000312	1	MUFFLER ASY		Sus. by P021-000314	
28		P021-000313	1	MUFFLER ASY		Sus. by P021-000314	
28		P021-000314	1	MUFFLER ASY			
29	+	145871-44331	1	COVER, MUFFLER		Sus. by A320-000251	
29	+	A320-000250	1	COVER, MUFFLER		Sus. by A320-000251	
29	+	A320-000251	1	COVER, MUFFLER			
30	+	145510-42031	2	GASKET, MUFFLER			
31	+	145862-40630	1	SCREEN, MUFFLER			
32	+	145866-42031	1	GASKET, MUFFLER LID			
32	+	V104-000000	1	GASKET, EXHAUST		Sus. by V104-000003	
32	+	V104-000001	1	GASKET, EXHAUST		Sus. by V104-000003	
32	+	V104-000003	1	GASKET, EXHAUST		Next production	
33	+	145876-42030	1	LID, MUFFLER (B)			
34	+	145863-54130	1	FIXTURE, SCREEN			
34	+	A313-000000	1	GUIDE, EXH		Next production	
35	+	900238-04010	3	SCREW 4*10	4*10		
36		900105-05055	2	BOLT, H.S. 5*55	5*55		
37		900600-00005	2	WASHER 5	5		

4. Fuel Tank

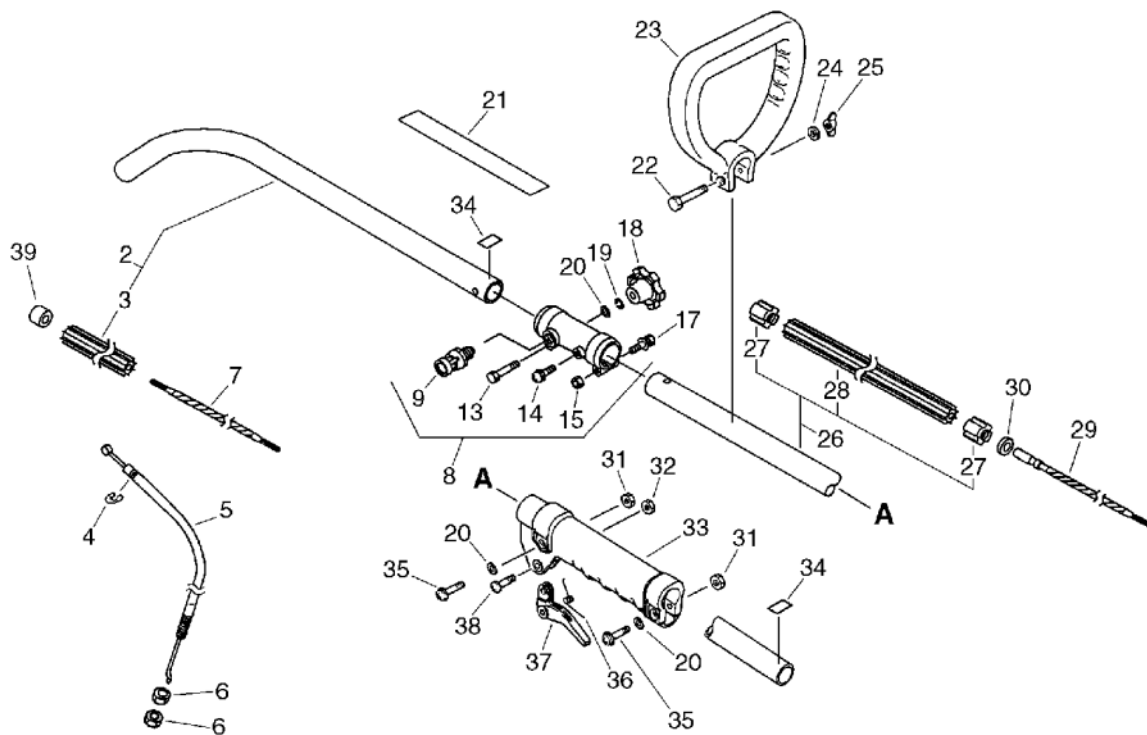
No.4



KEY	LV	PART NUMBER	Q'TY	DESCRIPTION	REMARKS	NOTE1	NOTE2
5		131300-56430	1	VALVE, CHECK			
6		132010-56330	1	PIPE 3*6*90	3*6*90 YL		
7		131312-39130	1	PIPE	3*5*70(+3)NBR	Sus. by V471-001200	
7		V471-001200	1	PIPE	3*5*70 NBR		
8		132115-46730	1	GROMMET, FUEL			
9		132013-09820	1	CLIP	6MM		
10		131205-07320	1	STRAINER, FUEL			
11		132010-13930	1	PIPE, FUEL	3*5*180L NBR	Sus. by V471-001190	
11		V471-001190	1	PIPE	3*5*180 NBR		
12		900238-05016	2	SCREW 5*16	5*16		
14		900603-00005	2	WASHER 5	5.5*12*0.8		
15		131005-46830	1	TANK, FUEL		Sus. by 131005-46831	
15		131005-46831	1	TANK, FUEL			
16		131004-55830	1	CAP ASSY, FUEL TANK			
17	+	131016-55830	1	GASKET, FUEL CAP			

5. Handle

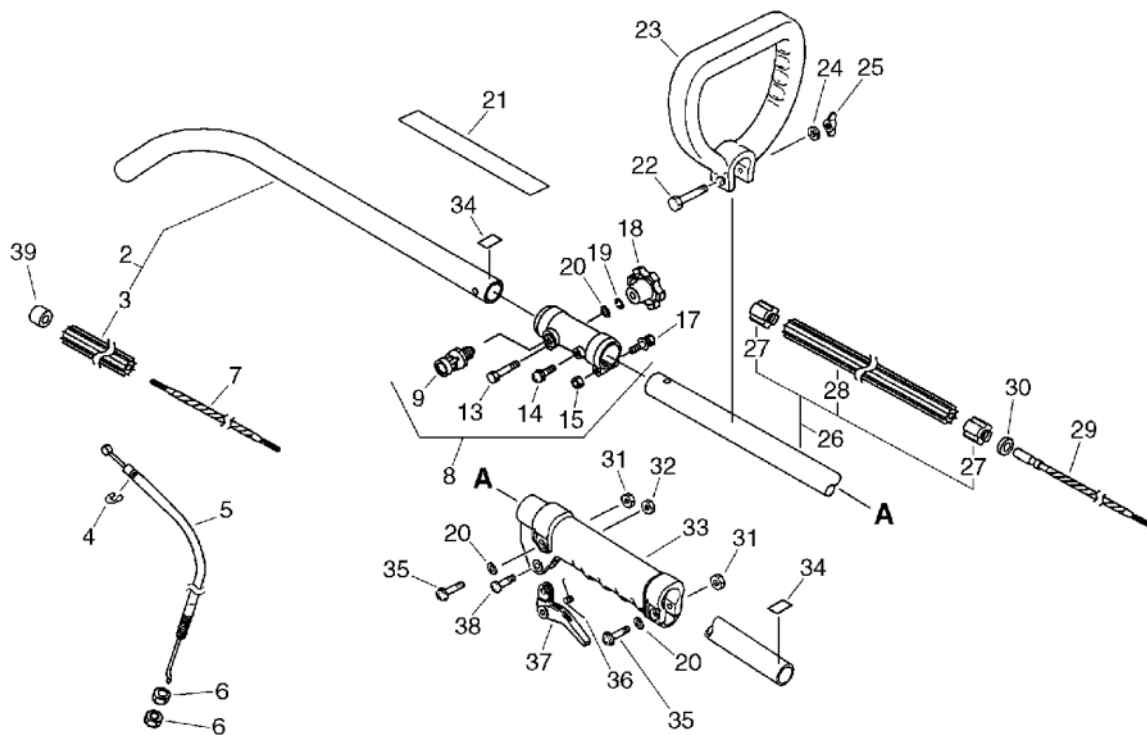
No.5



KEY	LV	PART NUMBER	Q'TY	DESCRIPTION	REMARKS	NOTE1	NOTE2
2		610206-50730	1	HOUSING ASSY, D.SHFT			
3	+	610217-50730	1	LINER, FLEXIBLE	471L		
4		900700-00004	1	E-RING 4	CE-4	Sus. by 900700-00005	
4		900700-00005	1	E-RING 5	CE-5		
5		178002-44430	1	WIRE, THROTTLE		Sus. by 178001-56730	
5		178001-44430	1	WIRE, THROTTLE		Sus. by 178001-56730	
5		178001-56730	1	CABLE, THROTTLE			
6		900502-00006	2	NUT 6 (3N)	3N6		
7		610013-50730	1	SHAFT, FLEXIBLE			
8		610601-56630	1	HOLDER, MAIN PIPE		Sus. by 610601-56632	
8		610601-56632	1	BRACKET ASY, M.PIPE			
9	+	178302-56630	1	LATCH ASSY			
13	+	900100-05035	1	BOLT 5*35	5*35	Sus. by 900162-05040	
13	+	900162-05040	1	BOLT, H.S. 5*40	5*40 W,SW		
14	+	900242-05012	1	SCREW 5*12	5*12		
15	+	900500-00005	1	NUT 5	5		
17	+	900142-05030	1	BOLT 5*30 (W/W,SW)	5*30	Sus. by 900162-05028	
17	+	900162-05028	1	BOLT, H.S. 5*28	5*28 W,SW		
18	+	352325-27630	1	KNOB		Sus. by V299-000100	

5. Handle

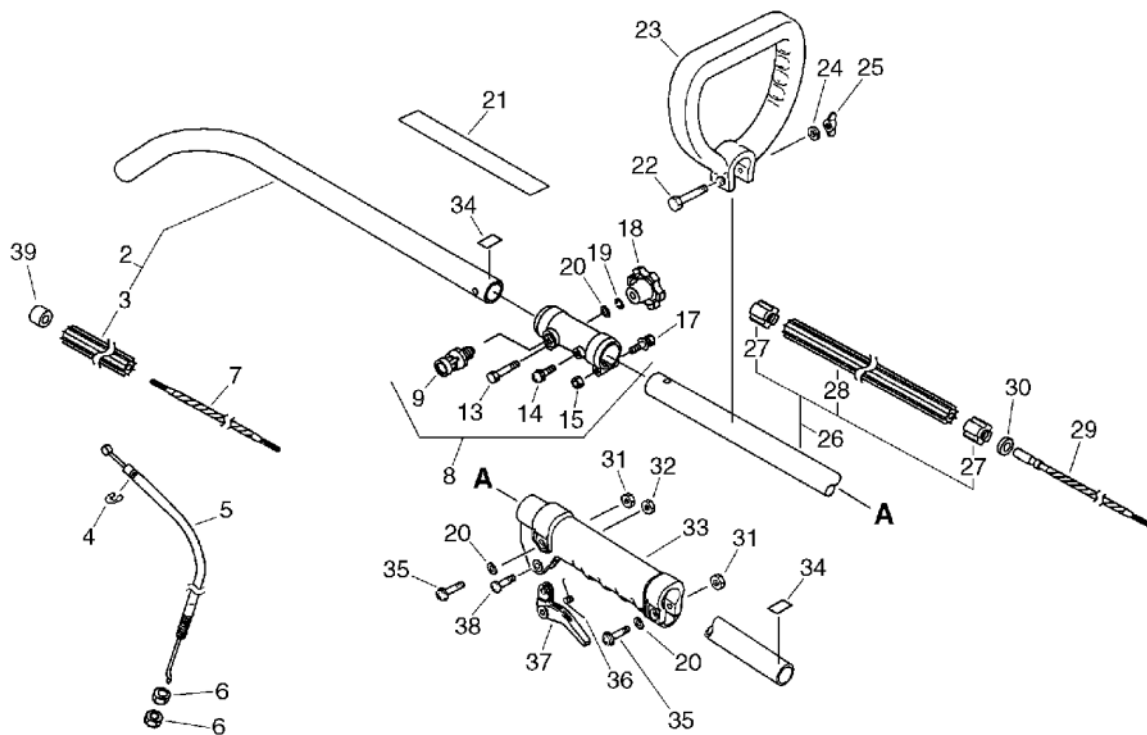
No.5



KEY	LV	PART NUMBER	Q'TY	DESCRIPTION	REMARKS	NOTE1	NOTE2
18	+	V299-000100	1	KNOB,FASTENER			
19	+	900605-00005	1	WASHER, SPRING 5	5		
20	+	900600-00005	1	WASHER 5	5		
20		900600-00005	2	WASHER 5	5		
21		890317-44530	1	LABEL, CAUTION			
22		900017-08048	1	BOLT 1/4-20*1-1/2	1/4-20*1-1/2		
23		351610-44330	1	HANDLE, FRONT			
24		900035-00008	1	WASHER, CIRCULAR 1/4	1/4		
25		300218-44330	1	NUT,6		Sus. by 900033-00008	
25		900033-00008	1	NUT, WING 1/4-20	1/4-20		
26		610206-56630	1	HOUSING ASSY, D.SHFT			
27	+	610246-55330	2	FIXTURE, LINER			
28	+	610217-56630	1	LINER, FLEXIBLE	662L		
29		610013-55630	1	SHAFT, FLEXIBLE			
30		100251-56630	1	CUSHION			
31		900500-00005	2	NUT 5	5		
32		900560-00005	1	NUT, LOCK 5	5		
33		351213-44330	1	GRIP (BL)			
34		890152-04930	2	LABEL, CAUTION			
35		900240-05025	2	SCREW 5*25	5*25	Sus. by 900220-05025	
35		900220-05025	2	SCREW 5*25	5*25		
36		178043-06930	1	SPRING. THR. RETURN			
37		178010-48731	1	CONTROL, THROTTLE		Sus. by C450-000070	

5. Handle

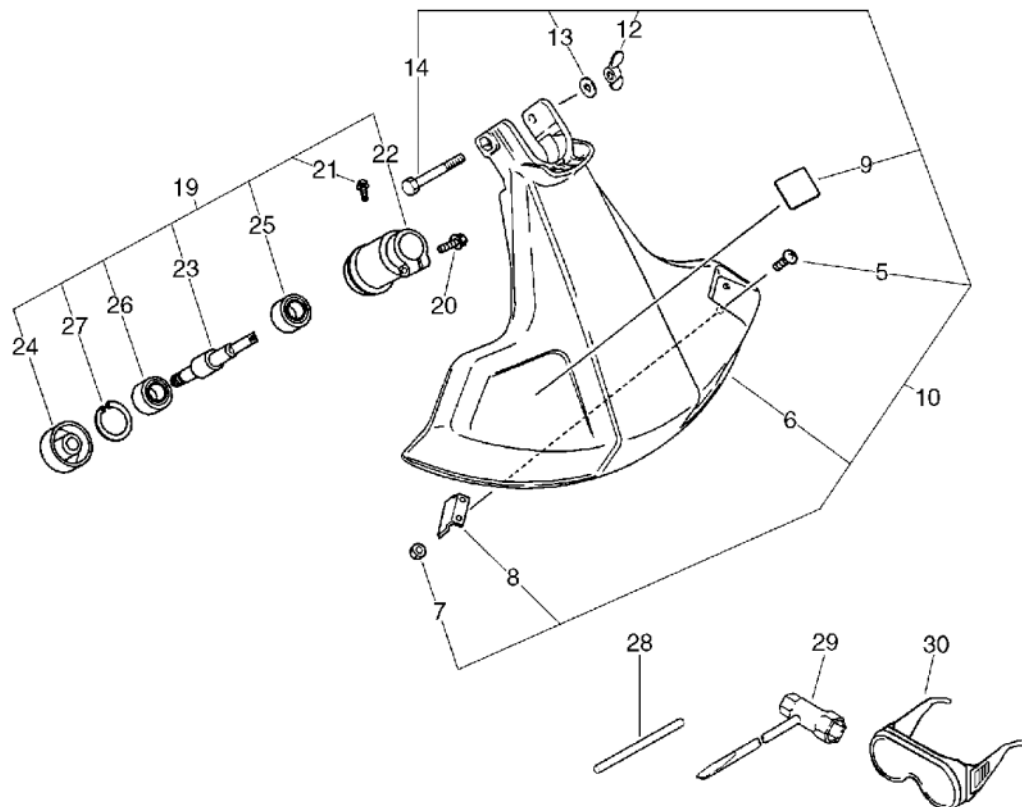
No.5



KEY	LV	PART NUMBER	Q'TY	DESCRIPTION	REMARKS	NOTE1	NOTE2
37		C450-000070	1	TRIGGER,THROTTLE			
38		178110-05330	1	SCREW			
39		610910-56630	1	CUSHION			

6. Gear Case, Shield, Tools

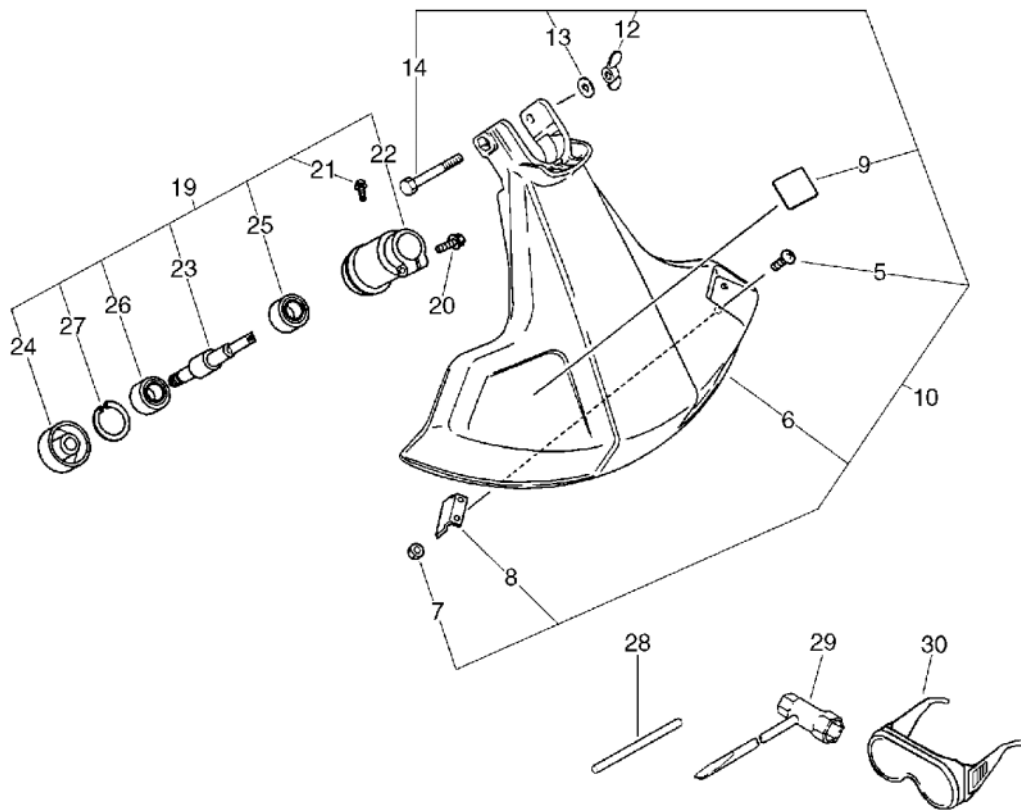
No.6



KEY	LV	PART NUMBER	Q'TY	DESCRIPTION	REMARKS	NOTE1	NOTE2
10		699004-52730	1	SHIELD ASSY			
5	+	900238-05016	2	SCREW 5*16	5*16		
6	+	699010-44330	1	SHIELD (INCH)			
7	+	900500-00005	2	NUT 5	5		
8	+	699016-44330	1	CUTTER			
9	+	890168-44330	1	LABEL, CAUTION			
12	+	300218-44330	1	NUT,6		Sus. by 900033-00008	
12	+	900033-00008	1	NUT, WING 1/4-20	1/4-20		
13	+	900035-00008	1	WASHER, CIRCULAR 1/4	1/4		
14	+	900017-08064	1	BOLT 1/4-20*2A	1/4-20*2A		
19		610404-52430	1	HOUSING ASSY			
20	+	900152-05025	1	BOLT 5*25	5*25		
21	+	900242-04010	1	SCREW 4*10	4*10		
22	+	610410-52430	1	CASE, GEAR			
23	+	610310-52430	1	SHAFT, P.T.O.			
24	+	610305-52430	1	PLATE, ADAPTER			
25	+	900810-06200	1	BEARING, BALL 6200	6200		
26	+	900811-06200	1	BEARING, BALL 6200	6200DU(LU)	Sus. by 94061-06200	
26	+	94061-06200	1	BEARING, BALL	BB6200 LU,DU		
27	+	900702-00030	1	CIRCLIP 30	CR-30		
28		897518-01131	1	LOCKING TOOL			
29		895410-08030	1	WRENCH, W/S. DRIVER		Sus. by X602-000020	
29		X602-000020	1	TOOL,WRENCH	17*19 L200		

6. Gear Case, Shield, Tools

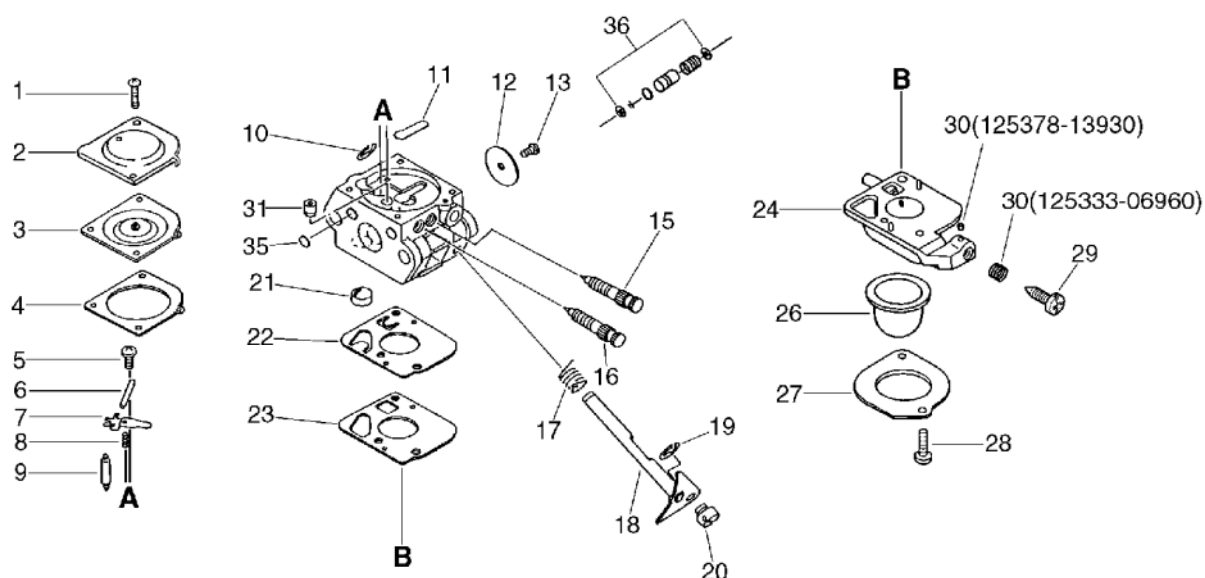
No.6



KEY	LV	PART NUMBER	Q'TY	DESCRIPTION	REMARKS	NOTE1	NOTE2
30		899580-40930	1	GOGGLE		Sus. by 899580-68730	
30		899580-68730	1	SAFETY GLASSES		Sus. by X690-000030	
30		X690-000030	1	GOGGLE			

7. Carburetor

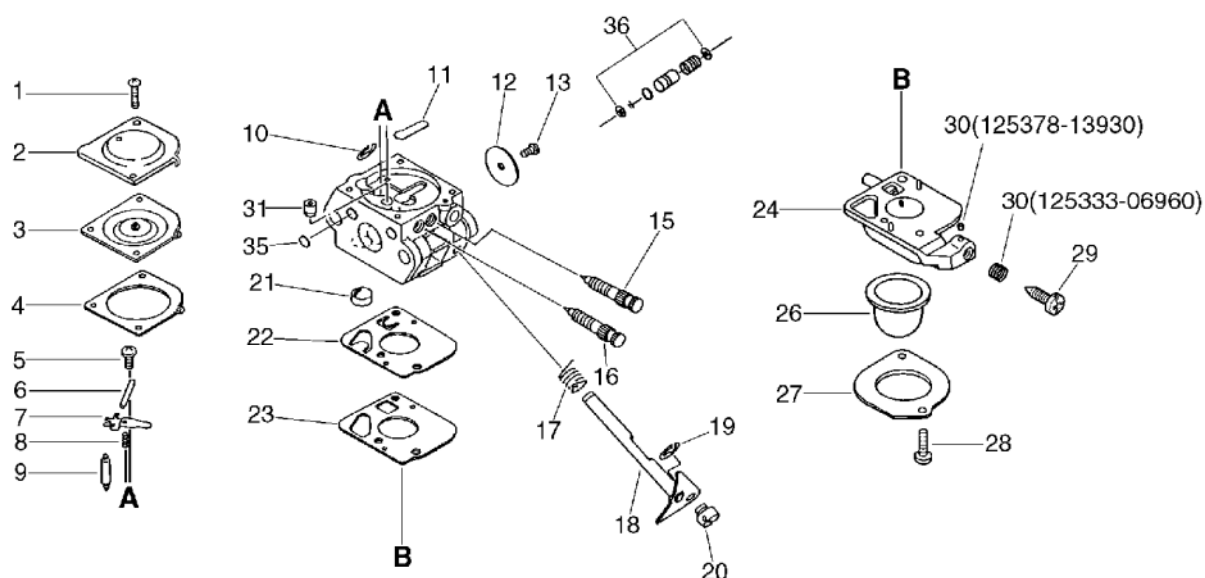
No.7



KEY	LV	PART NUMBER	Q'TY	DESCRIPTION	REMARKS	NOTE1	NOTE2
		125200-13311	1	CARBURETOR C1U-K52	C1U-K52	Sus. by 125200-13314	
		125200-13312	1	CARBURETOR	C1U-K52	Sus. by 125200-13314	
		125200-13313	1	CARBURETOR	C1U-K52	Sus. by 125200-13314	
		125200-13314	1	CARBURETOR	C1U-K52		
1	+	125344-52130	2	SCREW			
2	+	125342-13210	1	COVER, DIAPHRAGM			
3	+	125341-49030	1	DIAPHRAGM			
4	+	125340-51030	1	GASKET, DIAPHRAGM			
5	+	125339-42030	1	SCREW			
6	+	125338-13930	1	PIN, METERING ARM			
7	+	125323-42030	1	LEVER, METERING			
8	+	125322-42030	1	SPRING, COIL			
9	+	125337-06960	1	VALVE, INLET NEEDLE			
10	+	125327-15130	1	CLIP			
11	+	125345-15130	1	PLUG, WELCH			
12	+	125316-49030	1	VALVE, THROTTLE			
13	+	125314-13930	1	SCREW	3*4		
15	+	125318-13120	1	SCREW, IDLE NEEDLE			
16	+	125320-13310	1	NEEDLE, HIGH SPEED			
17	+	125313-42030	1	SPRING, THRT. RETURN			
18	+	125317-13310	1	SHAFT, THROTTLE			
19	+	125327-13930	1	CLIP			
20	+	125372-42030	1	SWIVEL			

7. Carburetor

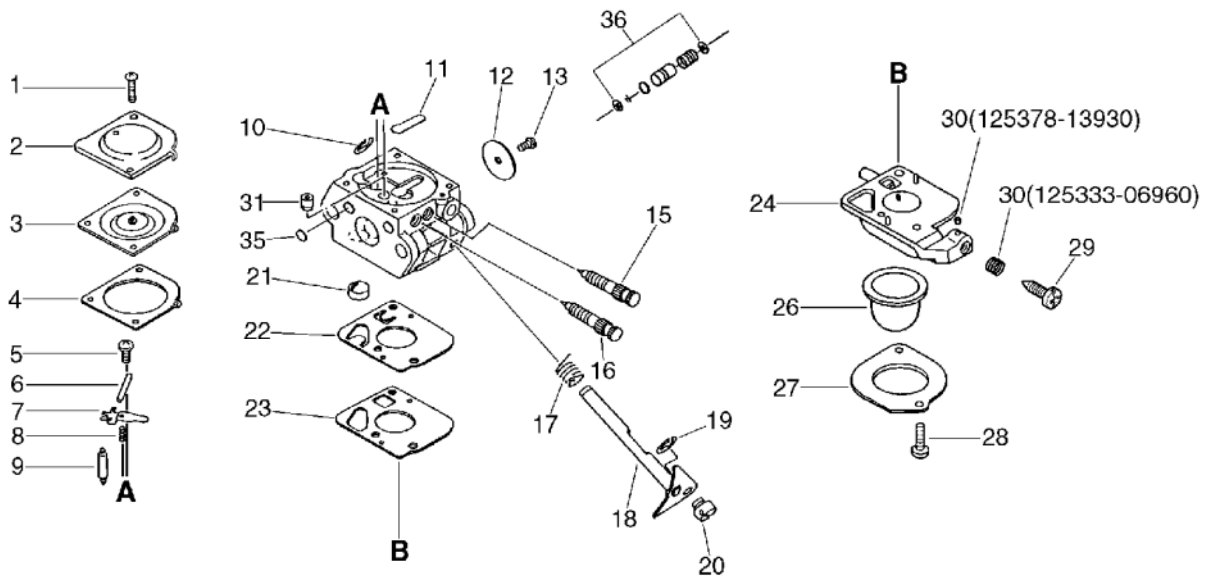
No.7



KEY	LV	PART NUMBER	Q'TY	DESCRIPTION	REMARKS	NOTE1	NOTE2
21	+	125326-42030	1	STRAINER			
22	+	125312-12820	1	DIAPHRAGM, FUEL PUMP			
23	+	125325-13310	1	GASKET, PUMP			
24	+	125383-13310	1	BASE, PRIMER		Sus. by P005-000590	
24	+	P005-000590	1	BASE,ASY PRIMER			
26	+	125381-08660	1	PUMP, PRIMING			
27	+	125363-11610	1	RING			
28	+	125310-11610	2	SCREW			
29	+	125334-13930	1	SCREW, IDLE ADJUST		Can be used on the 125200-13311 only	
29	+	125334-06960	1	SCREW, THROTTLE ADJUST		Can be used on the 125200-13312 only	
30	+	125378-13930	1	PIECE, FRICTION		Can be used on the 125200-13311 only	
30	+	125333-06960	1	SPRING, IDLE ADJUSTER		Can be used on the 125200-13312 only	
31	+	125376-13120	1	NOZZLE, CHECK VALVE			
35	+	125345-13310	1	PLUG, WELCH			
36	+	125306-13310	1	PUMP KIT, ACC.		Can be used on the 125200-13311 only	

7. Carburetor

No.7



KEY	LV	PART NUMBER	Q'TY	DESCRIPTION	REMARKS	NOTE1	NOTE2
36	+	125306-13120	1	PUMP KIT, ACC.		Can be used on the	
		125303-13310	1	DIAPHRAGM/GASKET KIT		125200-13312 only	
		125300-13310	1	REBUILD KIT			

Index

Patrs Number	Key No.	Patrs Number	Key No.	Patrs Number	Key No.
100000-48732	1 - 8	125337-06960	7 - 9	163400-03460	2 - 16
100011-05330	1 - 9	125338-13930	7 - 6	163810-44330	2 - 15
100012-51230	1 - 4	125339-42030	7 - 5	175000-56830	2 - 6
100013-11520	1 - 10	125340-51030	7 - 4	177200-42033	2 - 26
100014-11520	1 - 12	125341-49030	7 - 3	177202-44330	2 - 20
100015-04630	1 - 11	125342-13210	7 - 2	177215-44430	2 - 29
100100-44732	1 - 17	125344-52130	7 - 1	177218-44330	2 - 24
100204-52130	1 - 14	125345-13310	7 - 35	177220-42030	2 - 33
100204-52131	1 - 14	125345-15130	7 - 11	177226-10120	2 - 30
100204-52132	1 - 14	125363-11610	7 - 27	177227-42030	2 - 31
100212-42030	1 - 13	125372-42030	7 - 20	177228-06530	2 - 32
100212-42031	1 - 13	125376-13120	7 - 31	177234-42030	2 - 23
100215-03930	1 - 15	125378-13930	7 - 30	177236-44330	2 - 27
100242-42030	1 - 18	125381-08660	7 - 26	178001-44430	5 - 5
100251-56630	5 - 30	125383-13310	7 - 24	178001-56730	5 - 5
101010-44332	1 - 7	129011-52730	3 - 16	178002-44430	5 - 5
101011-06562	1 - 5	130010-42032	3 - 5	178010-48731	5 - 37
101503-56630	1 - 20	130016-42031	3 - 9	178043-06930	5 - 36
101514-48730	1 - 28	130017-42031	3 - 7	178110-05330	5 - 38
101514-48731	1 - 28	130307-06561	3 - 14	178302-56630	5 - 9
125200-13311	3 - 10	130310-54130	3 - 18	210417-52730	3 - 20
125200-13311	7 -	130313-06563	3 - 19	300218-44330	5 - 25
125200-13312	3 - 10	131004-55830	4 - 16	300218-44330	6 - 12
125200-13312	7 -	131005-46830	4 - 15	351213-44330	5 - 33
125200-13313	3 - 10	131005-46831	4 - 15	351610-44330	5 - 23
125200-13313	7 -	131016-55830	4 - 17	352325-27630	5 - 18
125200-13314	3 - 10	131205-07320	4 - 10	610013-50730	5 - 7
125200-13314	7 -	131300-56430	4 - 5	610013-55630	5 - 29
125300-13310	7 -	131312-39130	4 - 7	610206-50730	5 - 2
125303-13310	7 -	132010-13930	4 - 11	610206-56630	5 - 26
125306-13120	7 - 36	132010-56330	4 - 6	610217-50730	5 - 3
125306-13310	7 - 36	132013-09820	4 - 9	610217-56630	5 - 28
125310-11610	7 - 28	132115-46730	4 - 8	610246-55330	5 - 27
125312-12820	7 - 22	145510-42031	3 - 30	610305-52430	6 - 24
125313-42030	7 - 17	145800-54130	3 - 28	610310-52430	6 - 23
125314-13930	7 - 13	145862-40630	3 - 31	610404-52430	6 - 19
125316-49030	7 - 12	145863-54130	3 - 34	610410-52430	6 - 22
125317-13310	7 - 18	145866-42031	3 - 32	610601-56630	5 - 8
125318-13120	7 - 15	145871-44331	3 - 29	610601-56632	5 - 8
125320-13310	7 - 16	145876-42030	3 - 33	610910-56630	5 - 39
125322-42030	7 - 8	150112-44330	2 - 13	699004-52730	6 - 10
125323-42030	7 - 7	156626-52730	2 - 9	699010-44330	6 - 6
125325-13310	7 - 23	156801-09660	2 - 7	699016-44330	6 - 8
125326-42030	7 - 21	159011-03432	2 - 11	890112-56630	1 - 27
125327-13930	7 - 19	159012-01620	2 - 10	890118-49130	2 - 36
125327-15130	7 - 10	159012-03433	2 - 10	890121-06360	3 - 21
125333-06960	7 - 30	159017-10230	2 - 12	890152-04930	5 - 34
125334-06960	7 - 29	159912-48630	1 - 30	890168-44330	6 - 9
125334-13930	7 - 29	162010-52830	2 - 14	890317-44530	5 - 21

Index

Patrs Number	Key No.	Patrs Number	Key No.	Patrs Number	Key No.
895410-08030	6 - 29	900702-00030	6 - 27		
897518-01131	6 - 28	900810-06200	6 - 25		
899580-40930	6 - 30	900810-36201	1 - 16		
899580-68730	6 - 30	900811-06200	6 - 26		
900017-08048	5 - 22	94061-06200	6 - 26		
900017-08064	6 - 14	A011-000000	1 - 17		
900033-00008	5 - 25	A011-000001	1 - 17		
900033-00008	6 - 12	A011-000002	1 - 17		
900035-00008	5 - 24	A101-000000	1 - 9		
900035-00008	6 - 13	A130-000010	1 - 5		
900100-05035	5 - 13	A130-000011	1 - 5		
900105-05055	3 - 36	A313-000000	3 - 34		
900142-05028	1 - 22	A320-000250	3 - 29		
900142-05030	5 - 17	A320-000251	3 - 29		
900152-05025	6 - 20	C450-000070	5 - 37		
900162-04016	1 - 26	P005-000590	7 - 24		
900162-04016	2 - 35	P021-000310	3 - 28		
900162-04018	1 - 21	P021-000312	3 - 28		
900162-04022	2 - 8	P021-000313	3 - 28		
900162-05022	1 - 6	P021-000314	3 - 28		
900162-05028	1 - 19	P021-001100	1 - 8		
900162-05028	5 - 17	P021-001101	1 - 8		
900162-05040	5 - 13	P021-002921	3 - 14		
900163-04018	1 - 21	V104-000000	3 - 32		
900220-05025	5 - 35	V104-000001	3 - 32		
900238-04010	3 - 35	V104-000003	3 - 32		
900238-05016	4 - 12	V299-000100	5 - 18		
900238-05016	6 - 5	V471-001190	4 - 11		
900238-05020	3 - 8	V471-001200	4 - 7		
900240-05025	5 - 35	V553-000010	1 - 4		
900242-04010	6 - 21	V553-000030	1 - 4		
900242-05012	5 - 14	X602-000020	6 - 29		
900242-05065	3 - 17	X690-000030	6 - 30		
900253-04012	1 - 31				
900253-05016	1 - 29				
900500-00005	3 - 6				
900500-00005	5 - 15				
900500-00005	5 - 31				
900500-00005	6 - 7				
900502-00006	5 - 6				
900560-00005	5 - 32				
900565-50005	1 - 25				
900600-00005	3 - 37				
900600-00005	5 - 20				
900600-00005	5 - 20				
900603-00005	4 - 14				
900605-00005	5 - 19				
900700-00004	5 - 4				
900700-00005	5 - 4				

YAMABIKO CORPORATION

7-2 SUEHIROCHO 1-CHOME, OHME, TOKYO 198-8760, JAPAN
PHONE: 81-428-32-6118. FAX: 81-428-32-6145.



00SB
No.