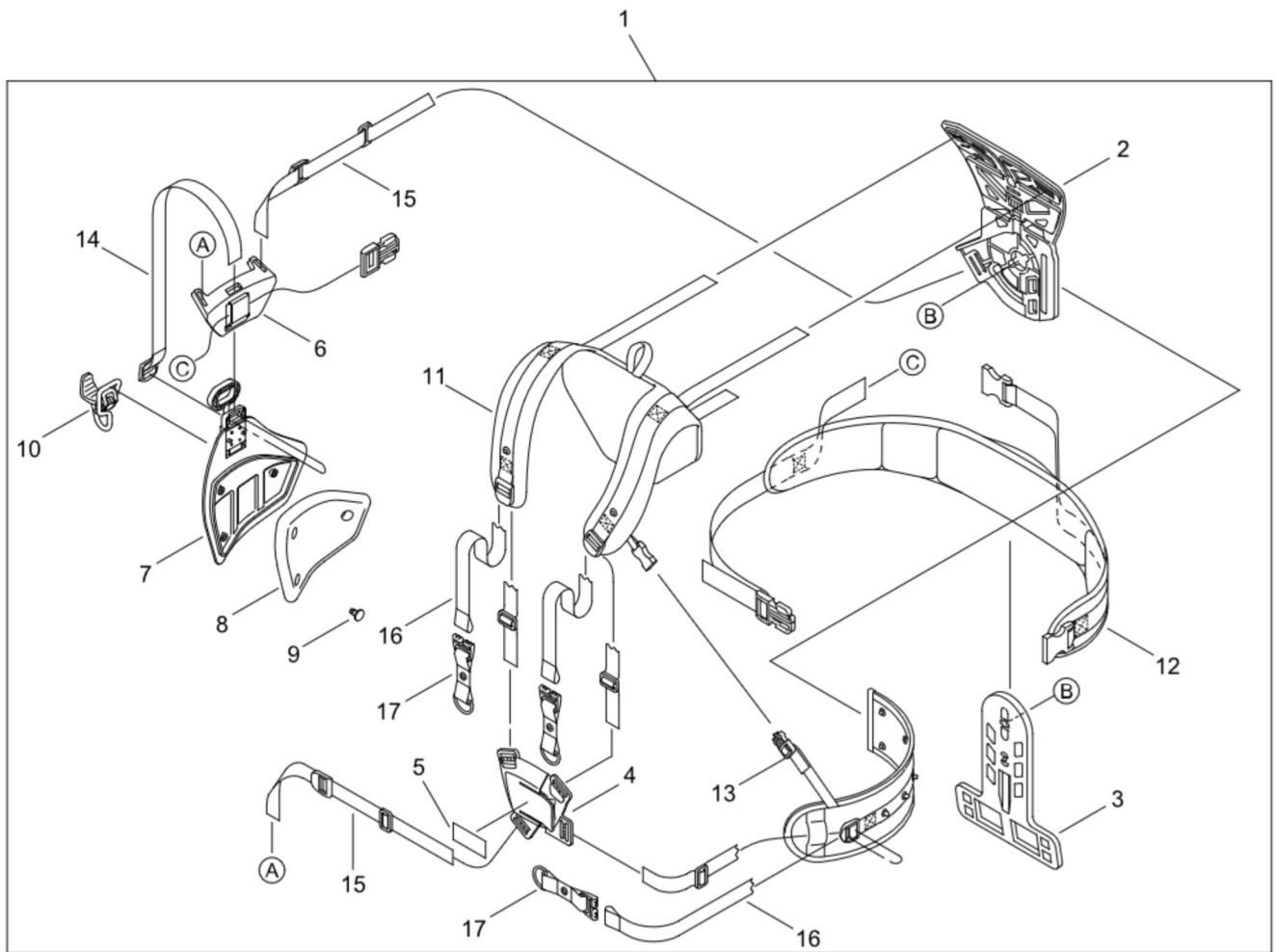


HARNESS



HARNESS

Key No.	LV (+)	Parts Number	Parts Description	Qty	Standard	Class
1		C062-000611	HARNESS, SHOULDER	1	EPH-01E	B
2	+	C630-000230	SEAT, BACKPACK	1		C
3	+	C630-000250	SEAT, BACKPACK	1		C
4	+	P021-047390	BUCKLE, HARNESS SET	1		
5	+	X502-000390	LABEL,ECHO	1	ECHO 72.5*15	D
6	+	C652-000070	PAD, WAIST	1		D
7	+	P021-047231	PAD, WAIST ASY	1		
8	+	C652-000080	PAD, WAIST	1		D
9	+	V491-000490	CLIP	3	#3S53	C
10	+	C063-000050	HOOK,LIFTING	1		C
11	+	C644-000220	PAD, HARNESS	1		D
12	+	C651-000070	BELT, HARNESS	1	ECHO -120CM	B
12	+	C651-000071	BELT, HARNESS	1	ECHO -140CM	B
13	+	C652-000090	PAD, WAIST	1		D
14	+	C650-000000	ADJUSTER,STRAP	1		D
15	+	C650-000010	ADJUSTER,STRAP	2		D
16	+	C650-000020	ADJUSTER,STRAP	3		D
17	+	C653-000000	END,BELT	3		D

Class : Consumable class

A:Fast moving parts B:Semi-fast moving parts C:Slow moving parts D:Order only as needed