

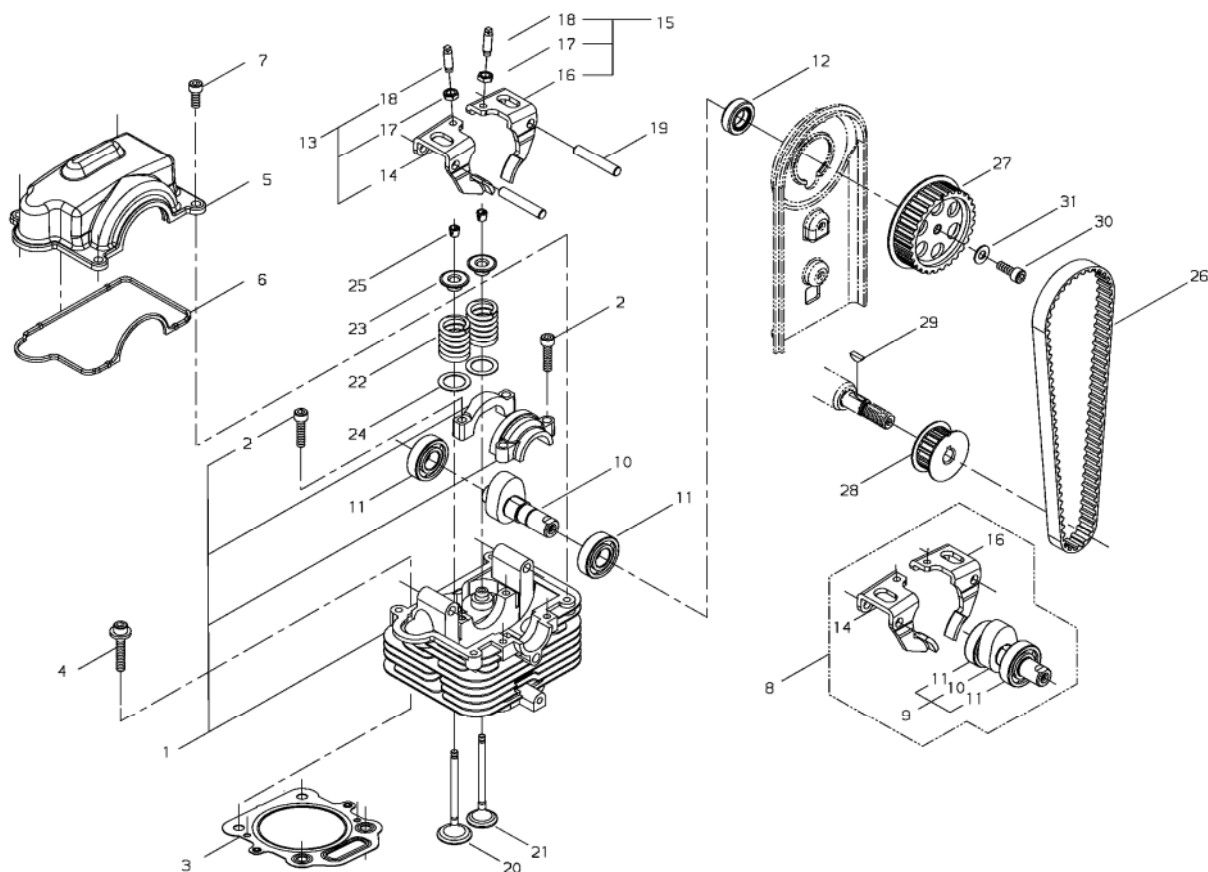
shindaiwa[®]

PARTS CATALOGUE

**BLOWER
EB8520 EVC**

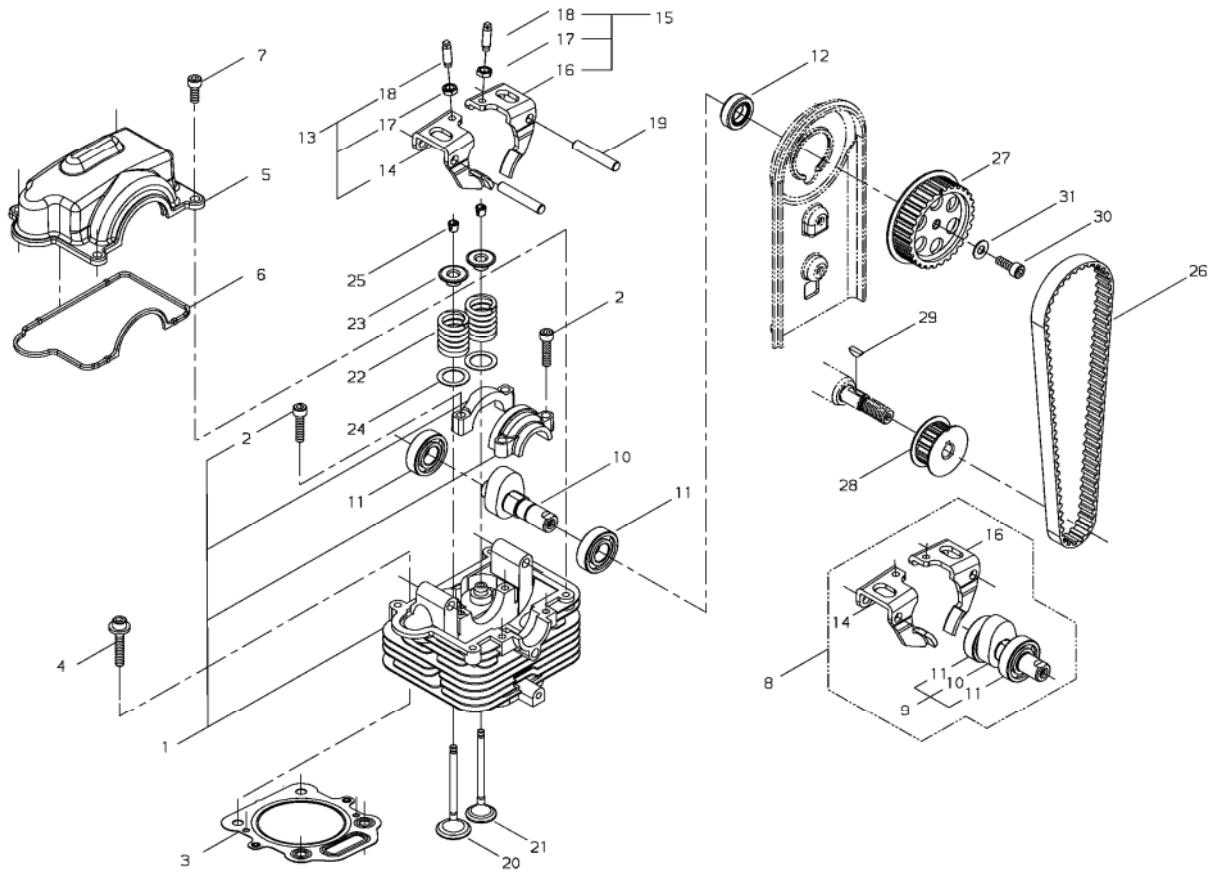
EB8520 EVC

1. CYLINDER HEAD, VALVE



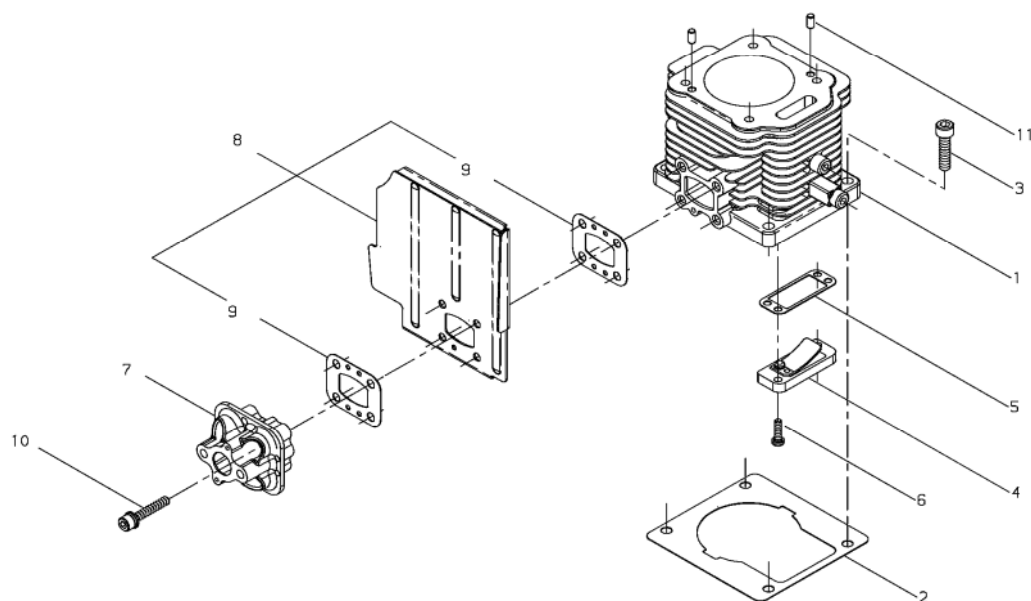
KEY	LV	PART NUMBER	Q'TY	DESCRIPTION	REMARKS	NOTE1	NOTE2
1		68913-11023	1	CYLINDER HEAD ASSY			
2		01020-05220	4	BOLT		M5x22	
3		68913-11260	1	GASKET			
4		11035-06350	4	FLANGE BOLT		M6x35	
5		68900-11271	1	ROCKER ARM COVER			
6		68900-11281	1	GASKET			
7		01020-05160	4	BOLT	M5*16 BLACK	M5x16	
8		68900-98390	1	CAM KIT			
9	▪	68900-13010	1	CAM SHAFT COMP			
10	▪ ▪	68900-13110	1	CAM SHAFT			
11	▪ ▪	02030-06001	2	BEARING		6001 C3	
12		62901-42260	1	OIL SEAL			
13		68900-13031	1	LOCKER ARM-A			
14	▪	68900-13121	1	ROCKER ARM			
15		68900-13021	1	LOCKER ARM-A			
16	▪	68900-13131	1	ROCKER ARM			
17	▪	62901-44231	2	NUT			
18	▪	68900-13140	2	ADJUST SCREW			
19		12492-60350	2	ROLLER		N6X35.8F6 C3	
20		68900-11210	1	INTAKE VALVE			
21		68900-11220	1	EXHAUST VALVE			
22		68900-11230	2	VALVE SPRING			
23		68900-11240	2	RETAINER			
24		68900-11330	2	PLATE			
25		68900-11250	4	COTTER			
26		68900-13150	1	BELT			

1. CYLINDER HEAD, VALVE



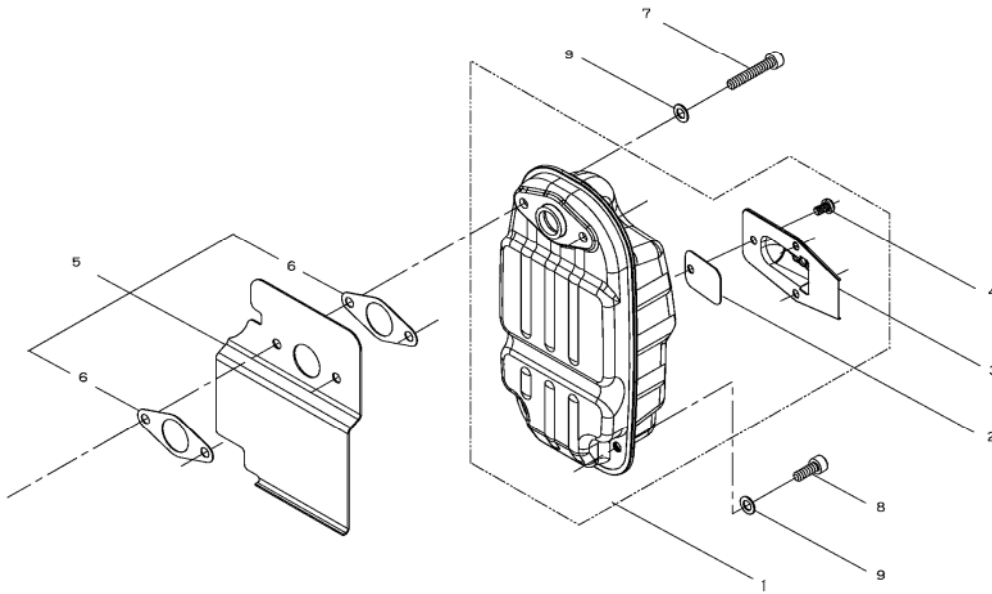
KEY	LV	PART NUMBER	Q'TY	DESCRIPTION	REMARKS	NOTE1	NOTE2
27		68900-13160	1	CAM PULLEY			
28		68900-13170	1	CRANK PULLEY			
29		12408-03100	1	KEY		3x10	
30		01020-05140	1	BOLT		M5x14	
31		01612-00500	1	WASHER		5mm	

2. CYLINDER



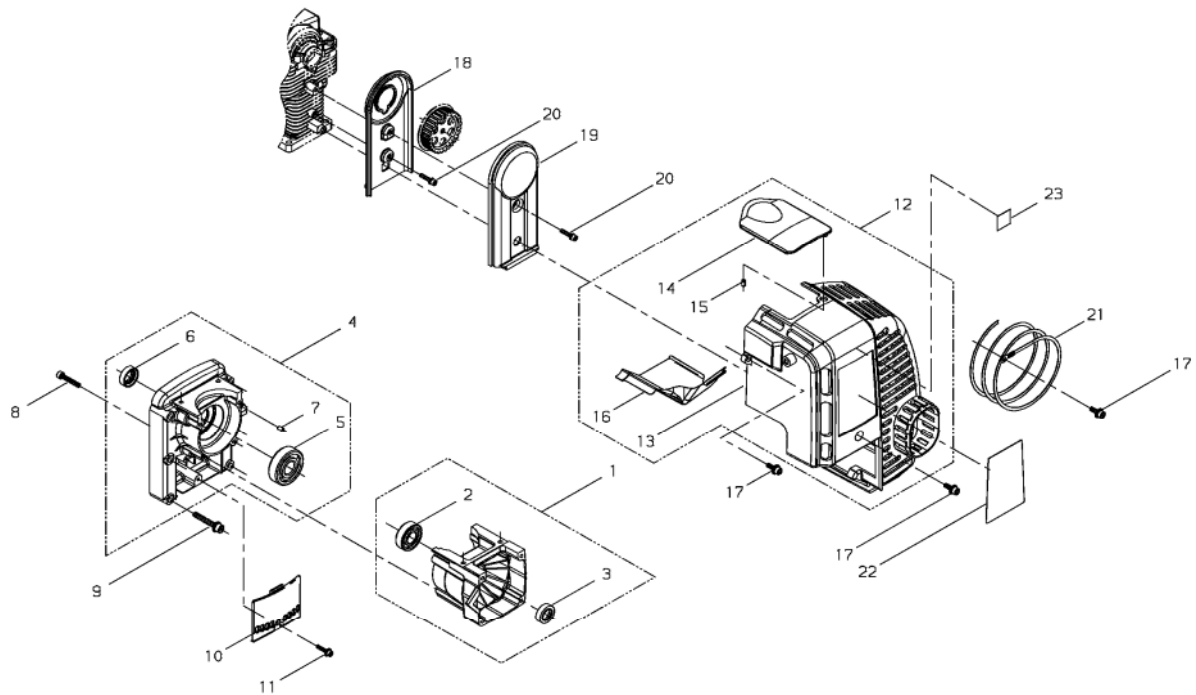
KEY	LV	PART NUMBER	Q'TY	DESCRIPTION	REMARKS	NOTE1	NOTE2
1		68913-12111	1	CYLINDER			
2		68900-12121	1	GASKET			
3		01020-06250	4	BOLT		M6x25	
4		68900-12310	1	REED VALVE ASSY			
5		68900-12320	1	GASKET			
6		01210-04140	2	SCREW		M4x14	
7		68242-12210	1	INSULATOR			
8		68900-12333	1	BAFFLE PLATE COMP			
9		68900-12220	2	GASKET			
10		11022-05305	4	BOLT M5*30		M5x30	
11		12492-40080	2	ROLLER		E4X8F6 C3	

3. MUFFLER



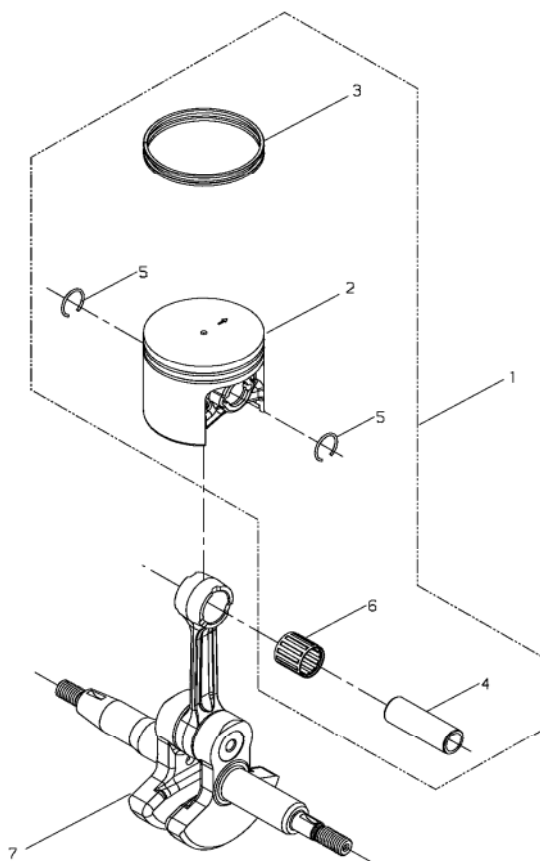
KEY	LV	PART NUMBER	Q'TY	DESCRIPTION	REMARKS	NOTE1	NOTE2
1		68900-15011	1	MUFFLER ASSY			
2	▪	68900-15130	1	SCREEN			
3	▪	68900-15160	1	TAIL PLATE			
4	▪	01210-05086	3	SCREW		M5x8	
5		68900-15210	1	GASKET			
6	▪	68900-15320	2	GASKET			
7		01020-06355	2	BOLT		M6x35	
8		01020-06160	2	BOLT		M6x16	
9		01610-06080	4	WASHER		6mm	

4. CRANKCASE, ENGINE COVER



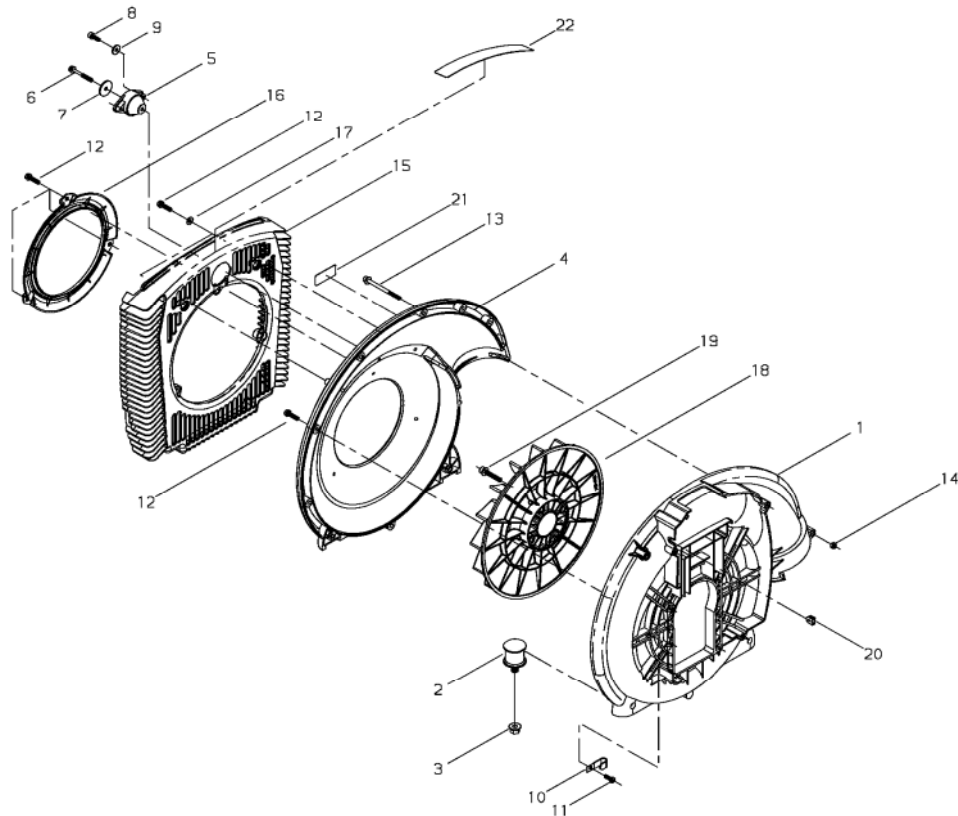
KEY	LV	PART NUMBER	Q'TY	DESCRIPTION	REMARKS	NOTE1	NOTE2
1		68913-21010	1	CRANKCASE,S-COMP			
2		12900-62020	1	BEARING		6202,C3	
3		12310-12000	1	OIL SEAL		15x25x7	
4		68913-21020	1	CRANKCASE,M-COMP			
5		02030-06303	1	BEARING		6303 C3	
6		12310-12000	1	OIL SEAL		15x25x7	
7		12492-40080	2	ROLLER		E4X8F6 C3	
8		01020-05300	4	BOLT		M5x30	
9		11060-06400	6	BOLT ADHESIVE		M6x40	
10		68900-21311	1	IGNITION COIL COVER			
11		11024-04200	1	BOLT SW		M4x20	
12		68900-31321	1	ENGINE COVER COMP			
13	•	68900-31110	1	ENGINE COVER			
14	•	68900-31311	1	GROMMET			
15	•	02427-40085	1	PIN		4x8	
16	•	68900-31331	1	PLATE			
17		11024-05160	4	BOLT PM SPW		M5x16	
18		68900-32110	1	BELT CASE			
19		68900-32120	1	BELT COVER			
20		11022-05120	2	BOLT SPW		M5x12	
21		14395-09100	1	LEAD WIRE			
22		68913-91330	1	LABEL TRADE			
23		19402-00205	1	LABEL CAUTION			

5. PISTON



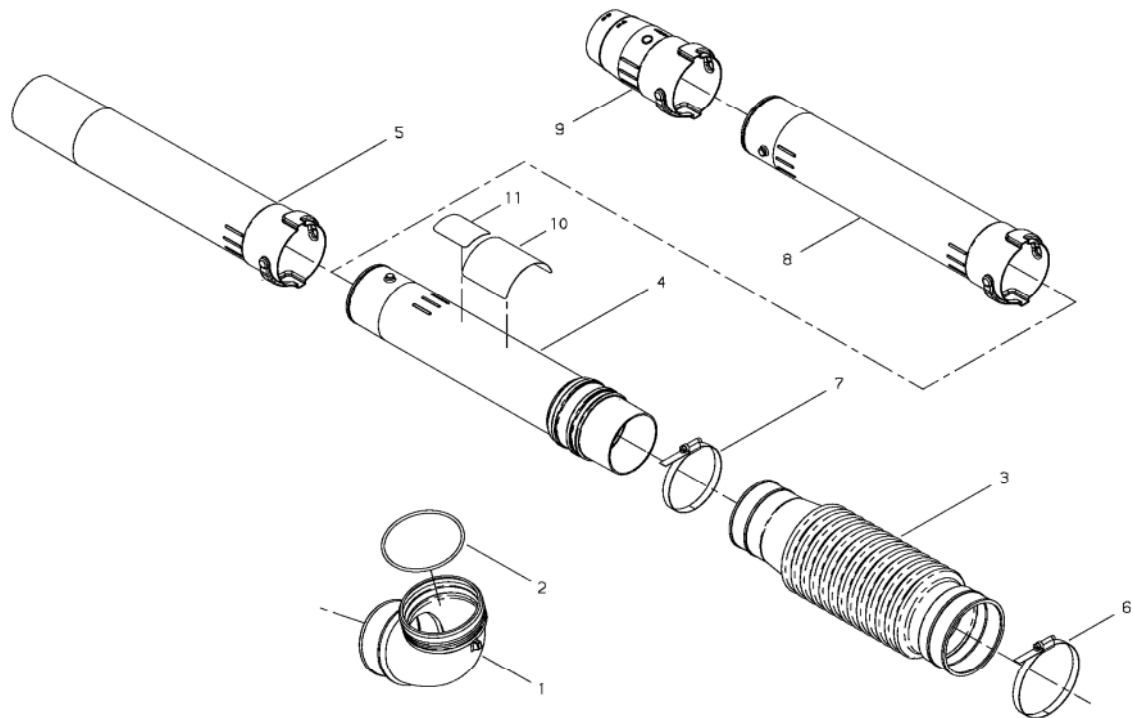
KEY	LV	PART NUMBER	Q'TY	DESCRIPTION	REMARKS	NOTE1	NOTE2
1		68900-98380	1	PISTON SET			
2	▪	68900-41110	1	PISTON			
3	▪	68900-41120	2	PISTON RING			
4	▪	22169-41220	1	PISTON PIN			
5	▪	22155-41230	2	SNAP RING			
6	▪	22155-41281	1	BEARING SE			
7		68900-42012	1	CRANK SHAFT			

6. VOLUT CASE



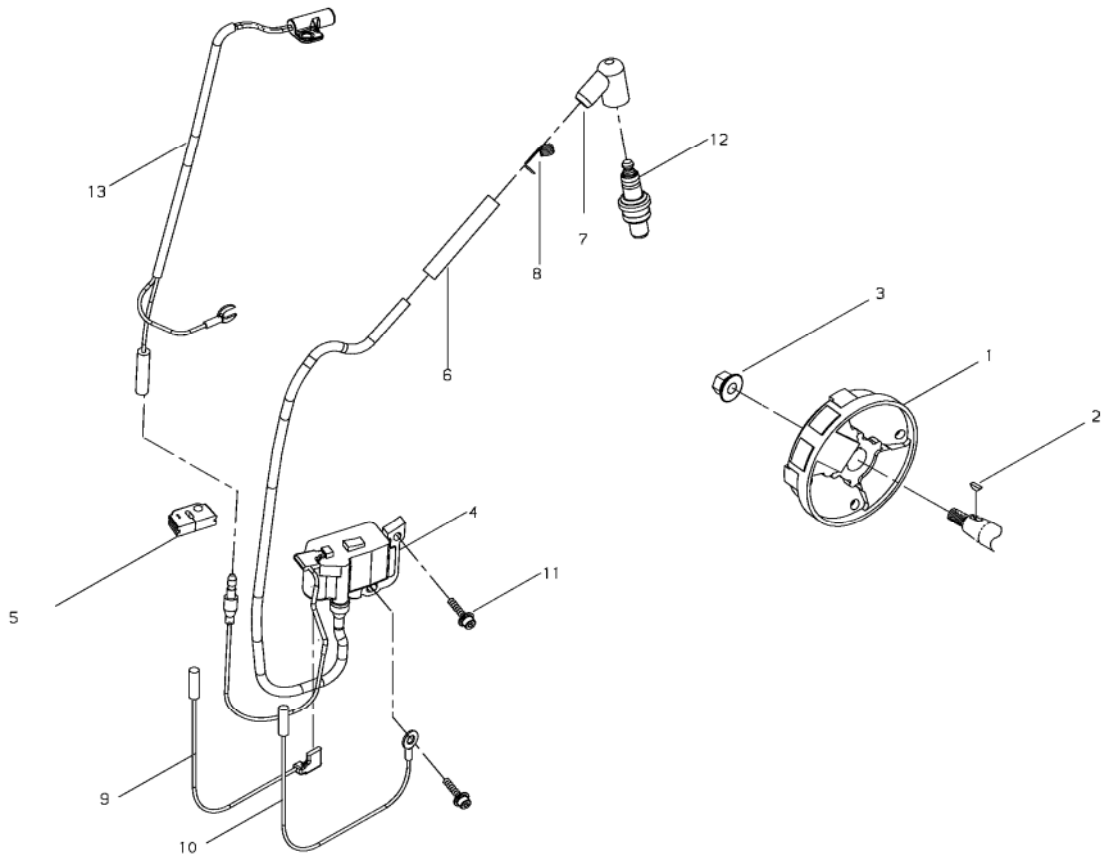
KEY	LV	PART NUMBER	Q'TY	DESCRIPTION	REMARKS	NOTE1	NOTE2
1		68900-61113	1	VOLUTE CASE			
2		68206-61320	2	AV RUBBER			
3		11526-06202	2	FLANGE NUT		M6	
4		68900-61121	1	VOLUTE COVER			
5		68206-61330	1	AV RUBBER			
6		68206-61340	1	BOLT TAPPING			
7		15401-20009	1	COLLAR		φ25xφ5.5xL2	
8		11020-05160	2	BOLT SW		M5x16	
9		15401-10010	2	COLLAR		φ15xφ5.2xL1.6	
10		68206-71370	1	CLAMP			
11		01280-05142	1	SCREW TAPPING		5x14	
12		70140-31480	14	BOLT PC			
13		11024-05700	2	BOLT SW		M5x70	
14		11500-05001	2	NUT		M5	
15		68913-61131	1	INTAKE COVER			
16		68900-61310	1	FUNNEL			
17		01613-05080	2	WASHER		5mm	
18		17343-07001	1	FAN		φ257	
19		11024-06351	4	BOLT SW		M6x35	
20		22100-31531	1	GROMMET			
21		19402-00178	1	LABEL CAUTION		KEEP AIR INTAKE...	
22		19402-00290	1	LABEL CAUTION			

7. BLOWER PIPE



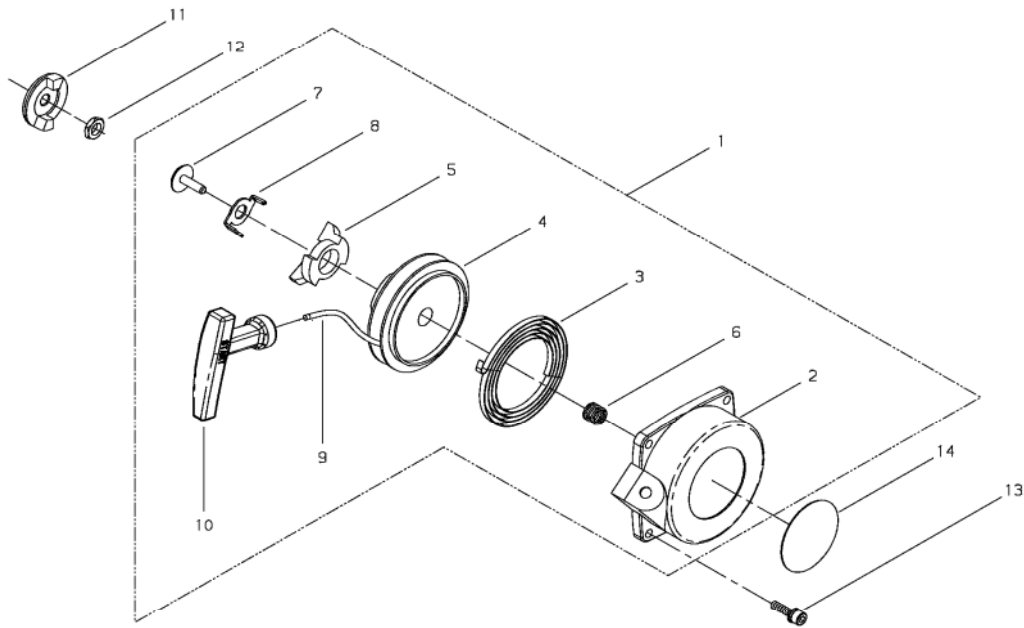
KEY	LV	PART NUMBER	Q'TY	DESCRIPTION	REMARKS	NOTE1	NOTE2
1		68900-63111	1	BEND PIPE			
2		68900-63330	1	O RING			
3		68900-63120	1	FLEXIBLE PIPE			
4		68900-63130	1	JOINT PIPE			
5		68900-63150	1	NOZZLE			
6		68900-63340	1	CLAMP			
7		68900-63351	1	CLAMP			
8		68900-63140	1	PIPE			
9		68900-63360	1	NOZZLE			
10		68913-91340	1	LABEL,TRADE			
11		19402-00336	1	LABEL,CAUTION			

8. MAGNETO



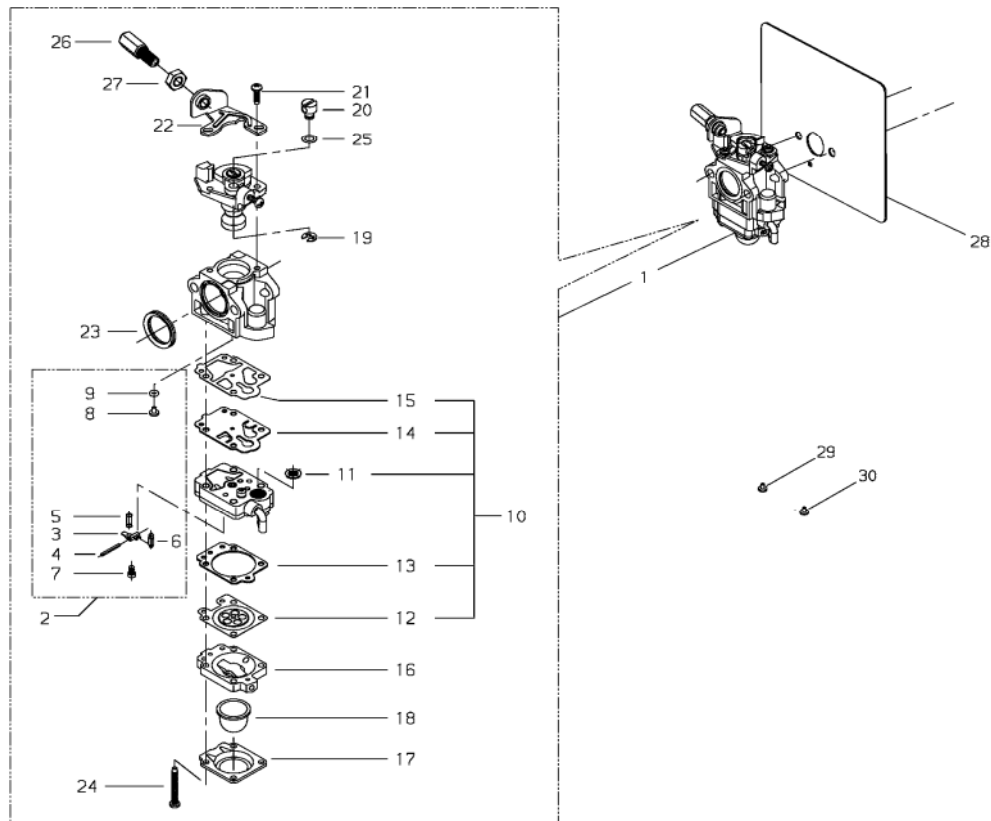
KEY	LV	PART NUMBER	Q'TY	DESCRIPTION	REMARKS	NOTE1	NOTE2
1		68913-71111	1	ROTOR			
2		12408-03100	1	KEY		3x10	
3		20035-71220	1	NUT			
4		68913-71021	1	COIL ASSY			
5		68900-71311	1	GROMMET			
6		70168-71660	1	TUBE			
7		62901-71250	1	PLUG CAP			
8		22154-72230	1	TERMINAL, SPARKPLUG			
9		14350-01701	1	LEAD WIRE		0.75mm ² L175	
10		14350-11601	1	LEAD WIRE			
11		11024-04200	2	BOLT SW		M4x20	
12		13001-10005	1	PLIG	NGK CMR5H	CMR5H	
13		68913-71311	1	SENSOR			

9. RECOIL STARTER



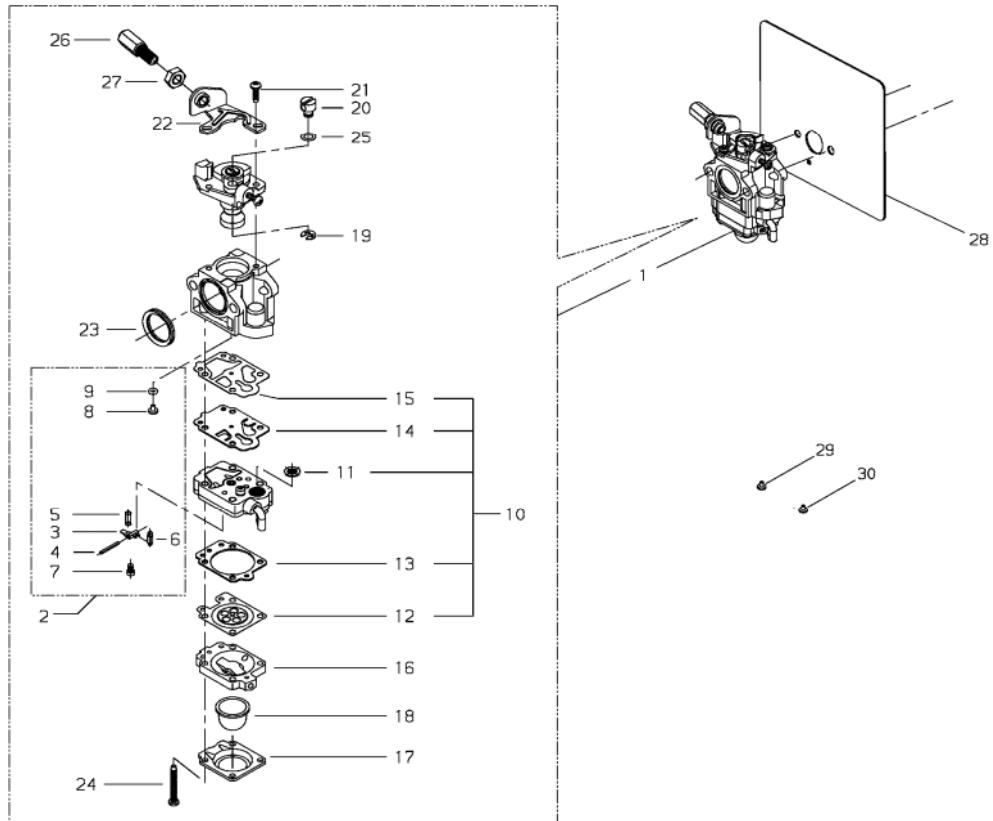
KEY	LV	PART NUMBER	Q'TY	DESCRIPTION	REMARKS	NOTE1	NOTE2
1		68900-75011	1	RECOIL STARTER ASSY			
2	▪	68900-75110	1	STARTER CASE			
3	▪	68900-75130	1	RECOIL SPRING			
4	▪	68900-75120	1	REEL			
5	▪	68900-75310	1	DOG			
6	▪	68900-75320	1	BRAKE SPRING			
7	▪	68900-75330	1	SCREW			
8	▪	68900-75340	1	RETAINER			
9	▪	68900-75140	1	ROPE			
10	▪	68900-75150	1	KNOB			
11		68900-75210	1	STARTER PULLEY			
12		01511-08051	1	NUT		M8	
13		11022-05200	4	BOLT SPW		M5x20	
14		19420-00070	1	LABEL TRADE		shindaiwa、C4	

10. CARBURETOR



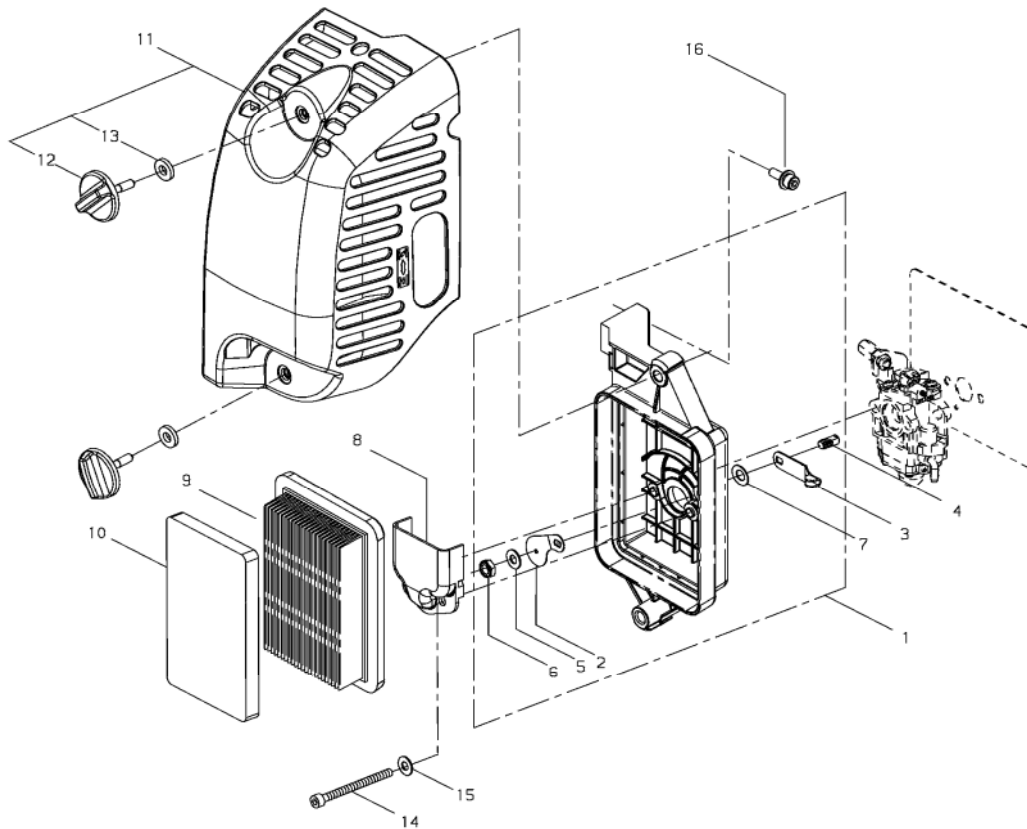
KEY	LV	PART NUMBER	Q'TY	DESCRIPTION	REMARKS	NOTE1	NOTE2
1		68913-81010	1	CARBURETOR ASSY			
2	•	68915-98330	1	VALVE-S			
3	•	22100-81230	1	LEVER, METERING			
4	•	22100-81250	1	PIN			
5	•	72933-81270	1	SPRING			
6	•	20036-81440	1	VALVE			
7	•	20016-81450	1	SCREW			
8	•	68913-81310	1	MAIN JET		#58.5(STD)	
9	•	70097-81220	1	O-RING			
10	•	60902-98030	1	GASKRT			
11	•	70030-81380	1	SCREEN			
12	•	37013-81310	1	DIAPHRAGM			
13	•	20016-81280	1	GASKET			
14	•	70097-81320	1	DIAPHRAGM			
15	•	70097-81310	1	GASKET,PUMP			
16	•	20016-81420	1	PUMP BASE COMP			
17	•	20016-81510	1	PUMP COVER			
18	•	20036-81670	1	PRIMER PUMP			
19	•	20036-81195	1	E RING			
20	•	72933-81450	1	SWIVEL			
21	•	70097-81290	2	SCREW			
22	•	20089-81130	1	BRACKET			
23	•	72933-81250	1	RING GASKET			
24	•	20016-81140	4	SCREW			
25	•	20089-81185	1	WASHER			
26	•	20089-81110	1	CABLE ADJUSTER			

10. CARBURETOR



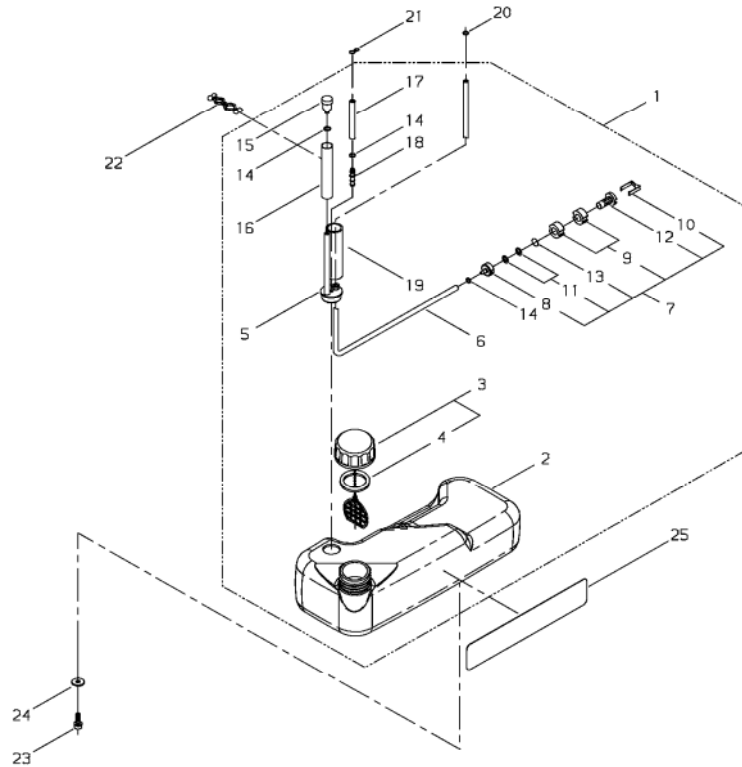
KEY	LV	PART NUMBER	Q'TY	DESCRIPTION	REMARKS	NOTE1	NOTE2
27	•	20036-81120	1	NUT			
28		68900-81210	1	GASKET			
29		68915-98310	1	MAIN JET		1000m, #57.0(STD)	
30		68206-98350	1	MAIN JET		2000m, #55.0(STD)	

11. AIR CLEANER



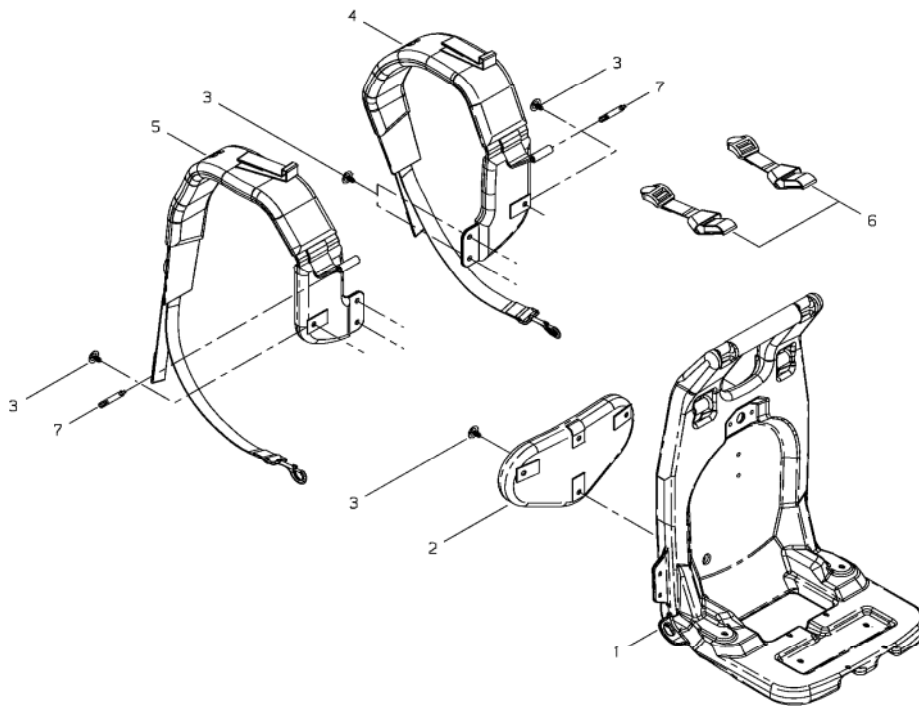
KEY	LV	PART NUMBER	Q'TY	DESCRIPTION	REMARKS	NOTE1	NOTE2
1		68913-82011	1	CLEANER BODY ASSY			
2	▪	20018-81711-B	1	CHOKE PLATE			
3	▪	20870-82120	1	CHOKE LEVER			
4	▪	20110-82140	1	CHOKE SHAFT			
5	▪	01600-06151	1	SPRING WASHER		6mm	
6	▪	11524-06211	1	U NUT		M6	
7	▪	20024-81790	1	CONE WASHER			
8		68900-82311	1	PLATE			
9		68242-82120	1	FILTER			
10		68242-82310	1	PREFILTER			
11		68913-82030	1	CLEANER COVER ASSY			
12	▪	22182-31220	2	KNOB,CLEANER LID			
13	▪	23627-21220	2	COLLAR			
14		01020-05705	2	BOLT		M5x70	
15		01612-00500	2	WASHER		5mm	
16		11022-05200	1	BOLT SPW		M5x20	

12. FUEL TANK



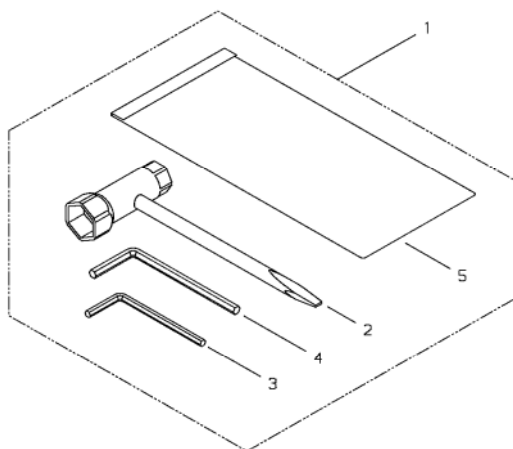
KEY	LV	PART NUMBER	Q'TY	DESCRIPTION	REMARKS	NOTE1	NOTE2
1		68915-85010	1	FUEL TANK ASSY			
2	•	68909-85110	1	FUEL TANK			
3	•	68204-85020	1	FUEL CAP ASSY			
4	• •	20000-85221	1	GASKET			
5	•	72933-85350	1	GROMMET			
6	•	68913-85310	1	FUEL PIPE			
7	•	22115-85401	1	FUEL FILTER			
8	•	22128-85410	1	FUEL LINE WEIGHT			
9	•	22128-85421	2	ELEMENT, STRAINER			
10	•	22128-85440	1	CLIP FILTER			
11	•	22118-85460	2	ELEMENT			
12	•	22128-85470	1	SLEEVE			
13	•	22128-85480	1	RING			
14	•	20020-85540	3	CLIP			
15	•	20035-85522	1	VALVE			
16	•	72935-85530	1	PIPE			
17	•	68913-85320	1	PIPE			
18	•	72933-85620	1	JOINT			
19	•	68913-85330	1	PIPE			
20		20020-85540	1	CLIP			
21		37013-85310	1	CLIP			
22		72935-85550	1	CLIP			
23		11060-05140	2	BOLT ADHESIVE		M5x14	
24		15401-10010	2	COLLAR		φ15xφ5.2xL1.6	
25		68913-91320	1	LABEL, TRADE			

13. FRAME



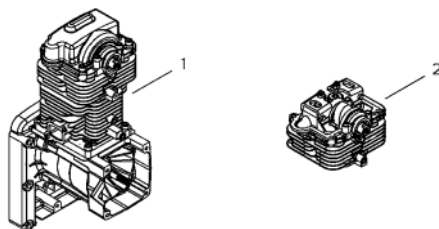
KEY	LV	PART NUMBER	Q'TY	DESCRIPTION	REMARKS	NOTE1	NOTE2
1		68913-86111	1	FRAME			
2		68913-86311	1	PAD			
3		68913-86321	8	CLIP			
4		68913-87011	1	BAND,RIGHT ASSY			
5		68913-87021	1	BAND,LEFT ASSY			
6		68913-87310	2	BAND			
7		68913-87320	2	CLIP			

15. TOOL



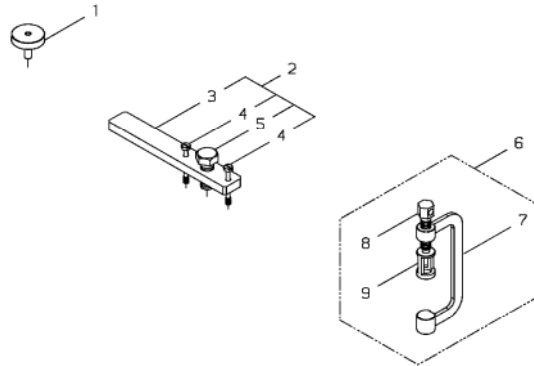
KEY	LV	PART NUMBER	Q'TY	DESCRIPTION	REMARKS	NOTE1	NOTE2
1		68900-92310	1	TOOL SET			
2	▪	22580-91180	1	PLUG WRENCH			
3	▪	09026-04001	1	HEXA WRENCH	4MM M5㉿	4mm M5	
4	▪	09026-05001	1	HEXA WRENCH 6MM		5mm M6	
5	▪	19639-01100	1	POLY BAG		0.04*175*115	

16. OPTION PARTS



KEY	LV	PART NUMBER	Q'TY	DESCRIPTION	REMARKS	NOTE1	NOTE2
1		68915-98340	1	SHORT BLOCK			
2		68915-98350	1	CYLINDER HEAD KIT			

17. OPTION TOOL



KEY	LV	PART NUMBER	Q'TY	DESCRIPTION	REMARKS	NOTE1	NOTE2
1		68900-98310	1	ADJUST WRENCH			
2		68900-98320	1	PULLER ASSY			
3	▪	68900-98330	1	LEVER			
4	▪	22100-96121	1	CENTER BOLT			
5	▪	22102-96130	2	BOLT			
6		68900-98340	1	SPRING COMPRESSOR			
7	▪	68900-98350	1	FRAME			
8	▪	68900-98360	1	SHAFT BOLT			
9	▪	68900-98370	1	ADAPTER			

Index

Patrs Number	Key No.	Patrs Number	Key No.	Patrs Number	Key No.
01020-05140	1 - 30	12408-03100	8 - 2	22115-85401	12 - 7
01020-05160	1 - 7	12492-40080	2 - 11	22118-85460	12 - 11
01020-05220	1 - 2	12492-40080	4 - 7	22128-85410	12 - 8
01020-05300	4 - 8	12492-60350	1 - 19	22128-85421	12 - 9
01020-05705	11 - 14	12900-62020	4 - 2	22128-85440	12 - 10
01020-06160	3 - 8	13001-10005	8 - 12	22128-85470	12 - 12
01020-06250	2 - 3	14350-01100	14 - 5	22128-85480	12 - 13
01020-06355	3 - 7	14350-01701	8 - 9	22154-72230	8 - 8
01210-04140	2 - 6	14350-05900	14 - 6	22155-41230	5 - 5
01210-05086	3 - 4	14350-11601	8 - 10	22155-41281	5 - 6
01280-05142	6 - 11	14395-09100	4 - 21	22169-41220	5 - 4
01500-05031	14 - 13	15401-10010	6 - 9	22182-31220	11 - 12
01511-08051	9 - 12	15401-10010	12 - 24	22580-91180	15 - 2
01520-10671	14 - 3	15401-10010	14 - 22	23627-21220	11 - 13
01600-06151	11 - 5	15401-20009	6 - 7	37013-81310	10 - 12
01610-06080	3 - 9	17343-07001	6 - 18	37013-85310	12 - 21
01612-00500	1 - 31	19401-00175	14 - 24	60902-98030	10 - 10
01612-00500	11 - 15	19402-00178	6 - 21	62901-42260	1 - 12
01613-05080	6 - 17	19402-00205	4 - 23	62901-44231	1 - 17
01613-05080	14 - 10	19402-00290	6 - 22	62901-71250	8 - 7
02030-06001	1 - 11	19402-00336	7 - 11	68204-85020	12 - 3
02030-06303	4 - 5	19420-00070	9 - 14	68206-61320	6 - 2
02427-40085	4 - 15	19639-01100	15 - 5	68206-61330	6 - 5
09026-04001	15 - 3	20000-85221	12 - 4	68206-61340	6 - 6
09026-05001	15 - 4	20016-81140	10 - 24	68206-71370	6 - 10
11020-05160	6 - 8	20016-81280	10 - 13	68206-83110	14 - 20
11022-05120	4 - 20	20016-81420	10 - 16	68206-84014	14 - 7
11022-05200	9 - 13	20016-81450	10 - 7	68206-84110	14 - 8
11022-05200	11 - 16	20016-81510	10 - 17	68206-84210	14 - 11
11022-05305	2 - 10	20018-81711-B	11 - 2	68206-84312	14 - 14
11024-04200	4 - 11	20020-85540	12 - 14	68206-84320	14 - 15
11024-04200	8 - 11	20020-85540	12 - 20	68206-84331	14 - 16
11024-05160	4 - 17	20024-81790	11 - 7	68206-84340	14 - 17
11024-05700	6 - 13	20035-71220	8 - 3	68206-84350	14 - 18
11024-06351	6 - 19	20035-85522	12 - 15	68206-84360	14 - 19
11030-06600	14 - 2	20036-81120	10 - 27	68206-84370	14 - 21
11035-06350	1 - 4	20036-81195	10 - 19	68206-98350	10 - 30
11060-05140	12 - 23	20036-81440	10 - 6	68242-12210	2 - 7
11060-05181	14 - 23	20036-81670	10 - 18	68242-82120	11 - 9
11060-06400	4 - 9	20089-81110	10 - 26	68242-82310	11 - 10
11210-05160	14 - 12	20089-81130	10 - 22	68900-11210	1 - 20
11500-05001	6 - 14	20089-81185	10 - 25	68900-11220	1 - 21
11523-06010	14 - 4	20110-82140	11 - 4	68900-11230	1 - 22
11524-06211	11 - 6	20870-82120	11 - 3	68900-11240	1 - 23
11525-05001	14 - 9	22100-31531	6 - 20	68900-11250	1 - 25
11526-06202	6 - 3	22100-81230	10 - 3	68900-11271	1 - 5
12310-12000	4 - 3	22100-81250	10 - 4	68900-11281	1 - 6
12310-12000	4 - 6	22100-96121	17 - 4	68900-11330	1 - 24
12408-03100	1 - 29	22102-96130	17 - 5	68900-12121	2 - 2

Index

Patrs Number	Key No.	Patrs Number	Key No.	Patrs Number	Key No.
68900-12220	2 - 9	68900-75210	9 - 11	70030-81380	10 - 11
68900-12310	2 - 4	68900-75310	9 - 5	70097-81220	10 - 9
68900-12320	2 - 5	68900-75320	9 - 6	70097-81290	10 - 21
68900-12333	2 - 8	68900-75330	9 - 7	70097-81310	10 - 15
68900-13010	1 - 9	68900-75340	9 - 8	70097-81320	10 - 14
68900-13021	1 - 15	68900-81210	10 - 28	70140-31480	6 - 12
68900-13031	1 - 13	68900-82311	11 - 8	70168-71660	8 - 6
68900-13110	1 - 10	68900-92310	15 - 1	72933-81250	10 - 23
68900-13121	1 - 14	68900-98310	17 - 1	72933-81270	10 - 5
68900-13131	1 - 16	68900-98320	17 - 2	72933-81450	10 - 20
68900-13140	1 - 18	68900-98330	17 - 3	72933-85350	12 - 5
68900-13150	1 - 26	68900-98340	17 - 6	72933-85620	12 - 18
68900-13160	1 - 27	68900-98350	17 - 7	72935-85530	12 - 16
68900-13170	1 - 28	68900-98360	17 - 8	72935-85550	12 - 22
68900-15011	3 - 1	68900-98370	17 - 9		
68900-15130	3 - 2	68900-98380	5 - 1		
68900-15160	3 - 3	68900-98390	1 - 8		
68900-15210	3 - 5	68909-85110	12 - 2		
68900-15320	3 - 6	68913-11023	1 - 1		
68900-21311	4 - 10	68913-11260	1 - 3		
68900-31110	4 - 13	68913-12111	2 - 1		
68900-31311	4 - 14	68913-21010	4 - 1		
68900-31321	4 - 12	68913-21020	4 - 4		
68900-31331	4 - 16	68913-61131	6 - 15		
68900-32110	4 - 18	68913-71021	8 - 4		
68900-32120	4 - 19	68913-71111	8 - 1		
68900-41110	5 - 2	68913-71311	8 - 13		
68900-41120	5 - 3	68913-81010	10 - 1		
68900-42012	5 - 7	68913-81310	10 - 8		
68900-61113	6 - 1	68913-82011	11 - 1		
68900-61121	6 - 4	68913-82030	11 - 11		
68900-61310	6 - 16	68913-85310	12 - 6		
68900-63111	7 - 1	68913-85320	12 - 17		
68900-63120	7 - 3	68913-85330	12 - 19		
68900-63130	7 - 4	68913-86111	13 - 1		
68900-63140	7 - 8	68913-86311	13 - 2		
68900-63150	7 - 5	68913-86321	13 - 3		
68900-63210	14 - 1	68913-87011	13 - 4		
68900-63330	7 - 2	68913-87021	13 - 5		
68900-63340	7 - 6	68913-87310	13 - 6		
68900-63351	7 - 7	68913-87320	13 - 7		
68900-63360	7 - 9	68913-91320	12 - 25		
68900-71311	8 - 5	68913-91330	4 - 22		
68900-75011	9 - 1	68913-91340	7 - 10		
68900-75110	9 - 2	68915-85010	12 - 1		
68900-75120	9 - 4	68915-98310	10 - 29		
68900-75130	9 - 3	68915-98330	10 - 2		
68900-75140	9 - 9	68915-98340	16 - 1		
68900-75150	9 - 10	68915-98350	16 - 2		

YAMABIKO CORPORATION

7-2 SUEHIROCHO 1-CHOME, OHME, TOKYO 198-8760, JAPAN
PHONE: 81-428-32-6118. FAX: 81-428-32-6145.

shindaiwa[®]

EVC
No.