

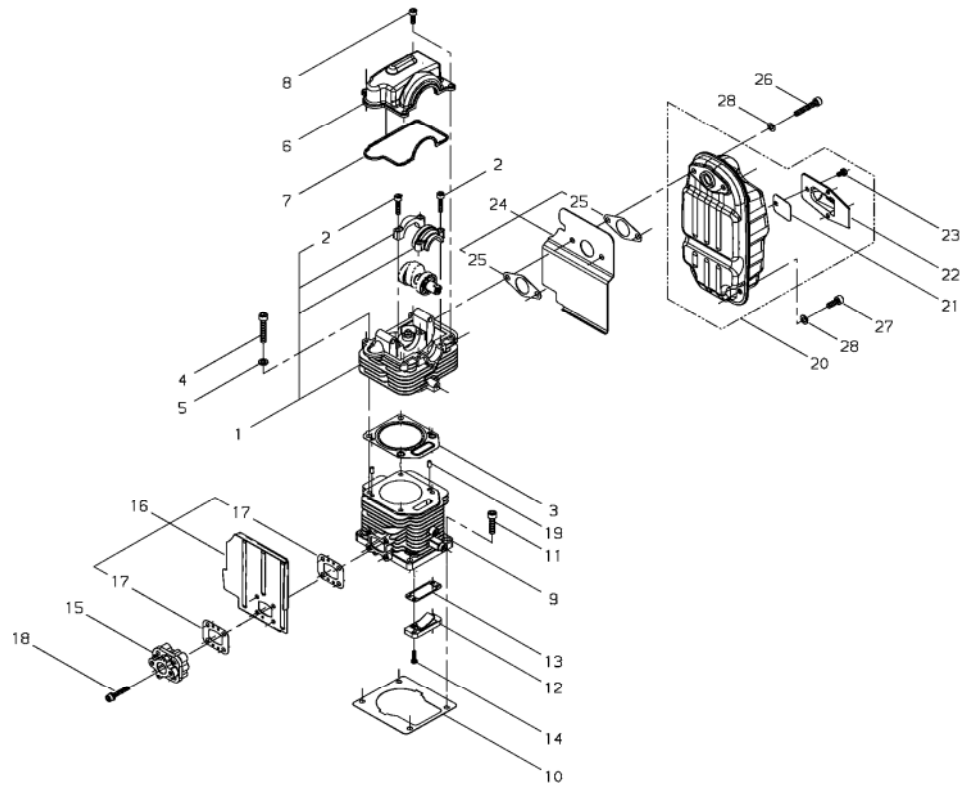
shindaiwa[®]

PARTS CATALOGUE

**BLOWER
EB8510 EC2**

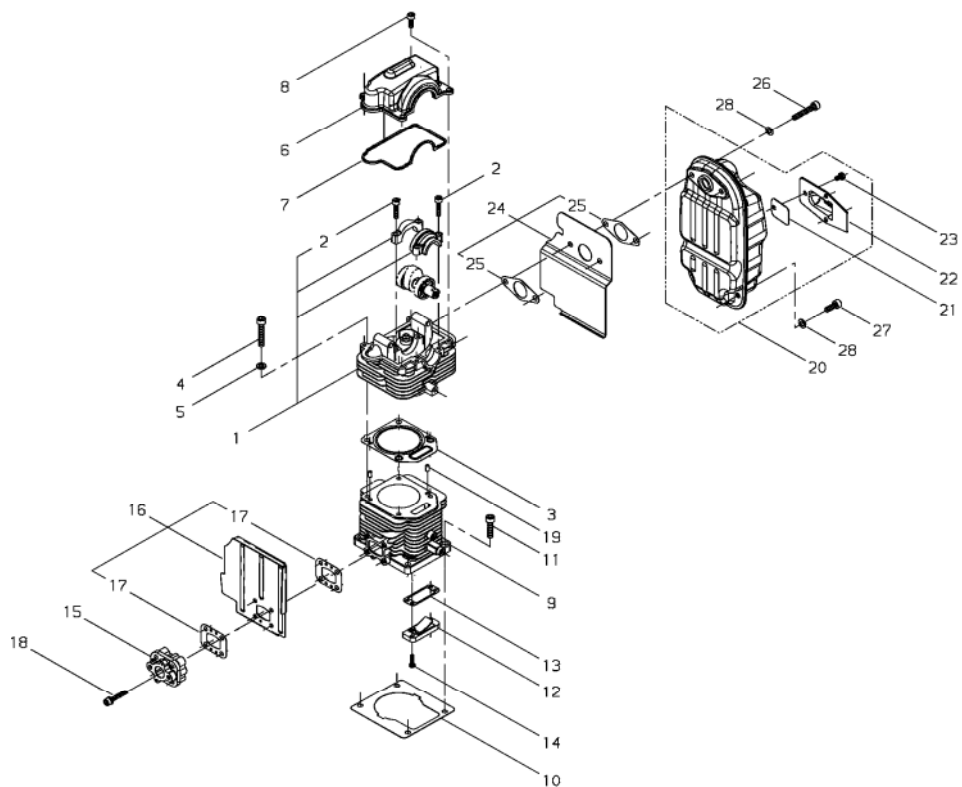
EB8510 EC2

1. CYLINDER, MUFFLER



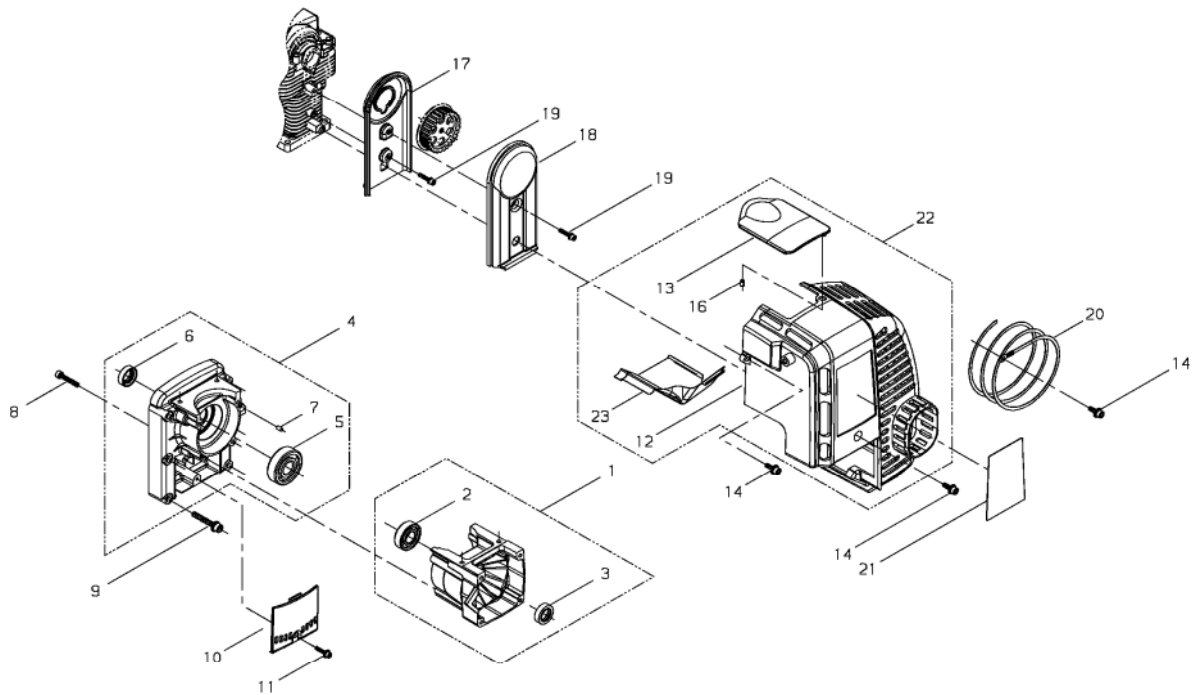
KEY	LV	PART NUMBER	Q'TY	DESCRIPTION	REMARKS	NOTE1	NOTE2
1		68900-11022	1	CYLINDER HEAD ASSY			
2		01020-05220	4	BOLT		M5x22	
3		68900-11260	1	GASKET			
4		01020-06350	4	BOLT		M6x35	
5		11620-10001	4	WASHER		11x6.4x1.5	
6		68900-11271	1	ROCKER ARM COVER			
7		68900-11281	1	GASKET			
8		01020-05140	4	BOLT		M5x14	
9		68900-12111	1	CYLINDER			
10		68900-12121	1	GASKET			
11		01020-06250	4	BOLT		M6x25	
12		68900-12310	1	REED VALVE ASSY			
13		68900-12320	1	GASKET			
14		01210-04140	2	SCREW		M4x14	
15		68900-12211	1	INSULATOR			
16		68900-12333	1	BAFFLE PLATE COMP			
17		68900-12220	2	GASKET			
18		11022-05300	4	BOLT SW		M5x30	
19		12492-40080	2	ROLLER		E4X8F6 C3	
20		68900-15011	1	MUFFLER ASSY			
21		68900-15130	1	SCREEN			
22		68900-15160	1	TAIL PLATE			
23		01210-05086	3	SCREW		M5x8	
24		68900-15210	1	GASKET			
25		68900-15320	2	GASKET			
26		01020-06355	2	BOLT		M6x35	

1. CYLINDER, MUFFLER



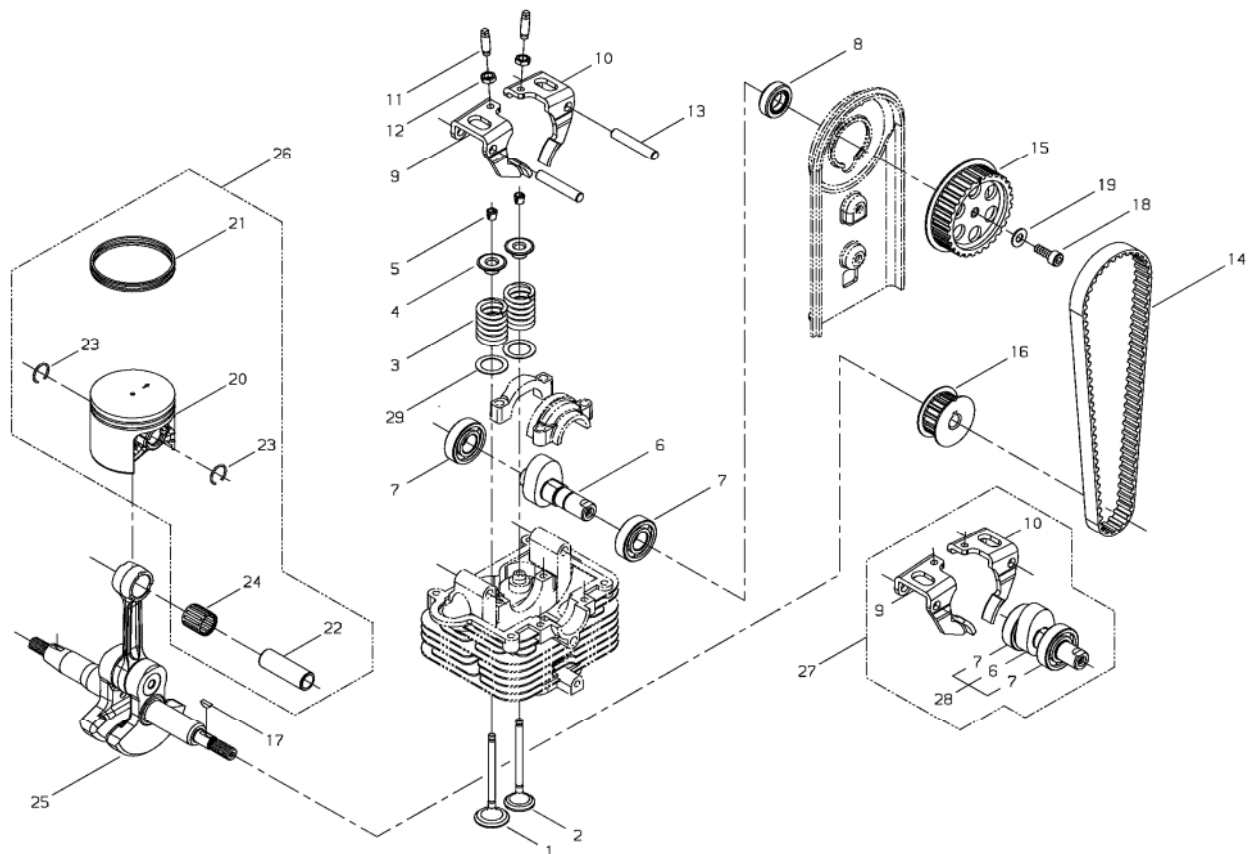
KEY	LV	PART NUMBER	Q'TY	DESCRIPTION	REMARKS	NOTE1	NOTE2
27		01020-06160	2	BOLT		M6x16	
28		01610-06080	4	WASHER		6mm	

2. CRANKCASE, ENGINE COVER



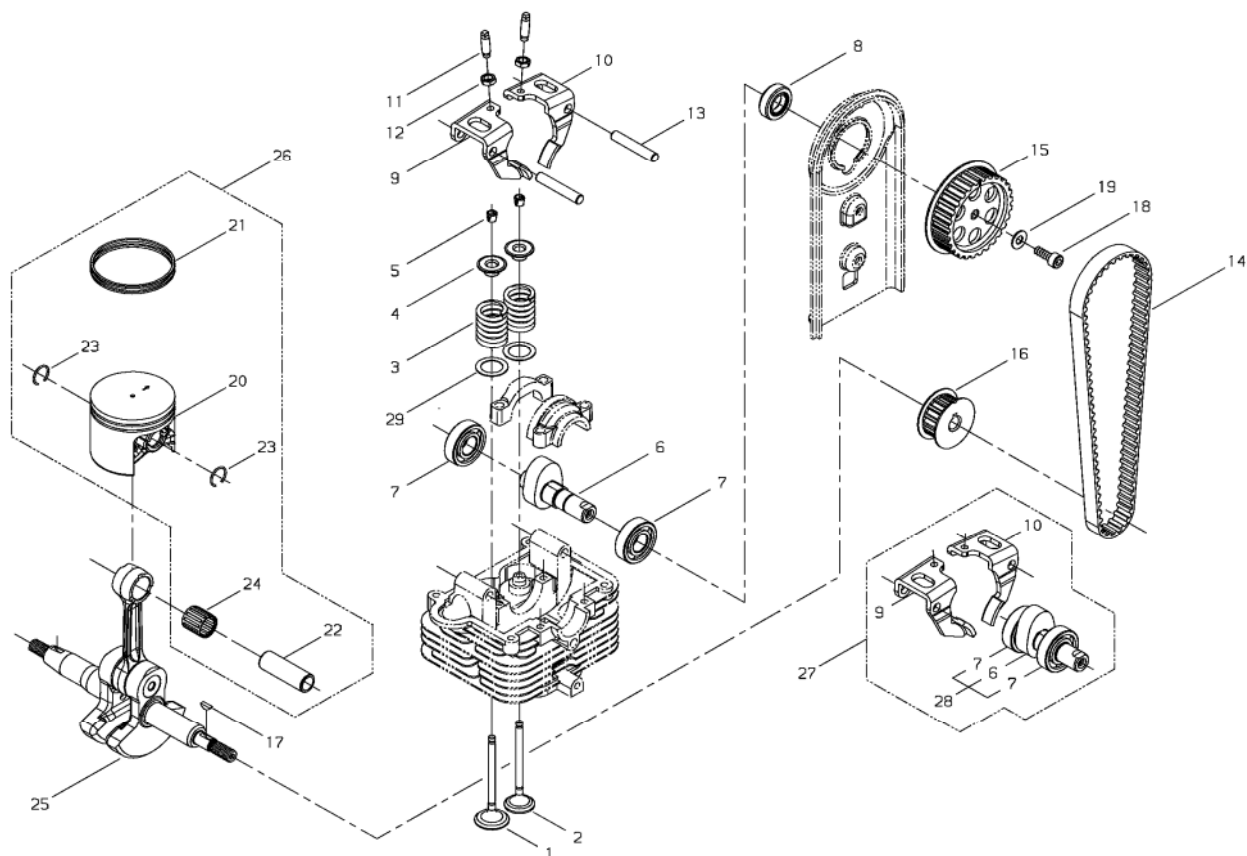
KEY	LV	PART NUMBER	Q'TY	DESCRIPTION	REMARKS	NOTE1	NOTE2
1		68900-21011	1	CRANKCASE S COMP			
2	▪	12900-62020	1	BEARING		6202,C3	
3	▪	12310-12000	1	OIL SEAL		15x25x7	
4		68900-21023	1	CRANKCASE M COMP			
5	▪	02030-06303	1	BEARING		6303 C3	
6	▪	12310-12000	1	OIL SEAL		15x25x7	
7	▪	12492-40080	2	ROLLER		E4X8F6 C3	
8		01020-05300	4	BOLT		M5x30	
9		11060-06400	6	BOLT ADHESIVE		M6x40	
10		68900-21311	1	IGNITION COIL COVER			
11		11024-04200	1	BOLT SW		M4x20	
12	▪	68900-31110	1	ENGINE COVER			
13	▪	68900-31311	1	GROMMET			
14		11024-05160	4	BOLT PM SPW		M5x16	
16	▪	02427-40085	1	PIN		4x8	
17		68900-32110	1	BELT CASE			
18		68900-32120	1	BELT COVER			
19		11022-05120	2	BOLT SPW		M5x12	
20		14395-09100	1	LEAD WIRE			
21		68900-91330	1	LABEL TRADE			
22		68900-31321	1	ENGINE COVER COMP			
23	▪	68900-31331	1	PLATE			

3. PISTON, CRANKSHAFT



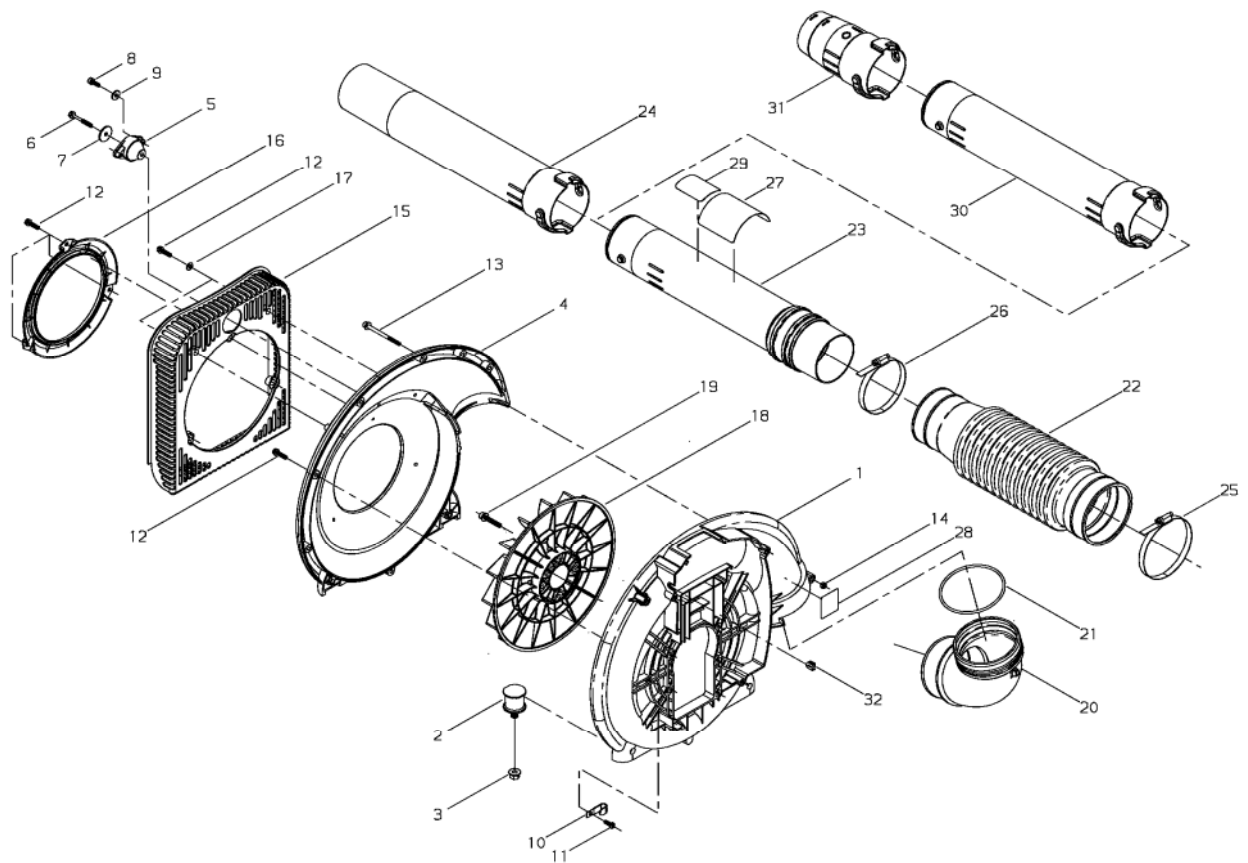
KEY	LV	PART NUMBER	Q'TY	DESCRIPTION	REMARKS	NOTE1	NOTE2
1		68900-11210	1	INTAKE VALVE			
2		68900-11220	1	EXHAUST VALVE			
3		68900-11230	2	VALVE SPRING			
4		68900-11240	2	RETAINER			
5		68900-11250	4	COTTER			
6	•	68900-13110	1	CAM SHAFT			
7	•	02030-06001	2	BEARING		6001 C3	
8		62901-42260	1	OIL SEAL			
9	•	68900-13121	1	ROCKER ARM			
10	•	68900-13131	1	ROCKER ARM			
11		68900-13140	2	ADJUST SCREW			
12		62901-44231	2	NUT			
13		12492-60350	2	ROLLER			N6X35.8F6 C3
14		68900-13150	1	BELT			
15		68900-13160	1	CAM PULLEY			
16		68900-13170	1	CRANK PULLEY			
17		12408-03100	1	KEY		3x10	
18		01020-05140	1	BOLT		M5x14	
19		01612-00500	1	WASHER		5mm	
20	•	68900-41110	1	PISTON			
21	•	68900-41120	2	PISTON RING			
22	•	22169-41220	1	PISTON PIN			
23	•	22155-41230	2	SNAP RING			
24	•	22155-41281	1	BEARING SE			
25		68900-42012	1	CRANK SHAFT			
26		68900-98380	1	PISTON SET			

3. PISTON, CRANKSHAFT



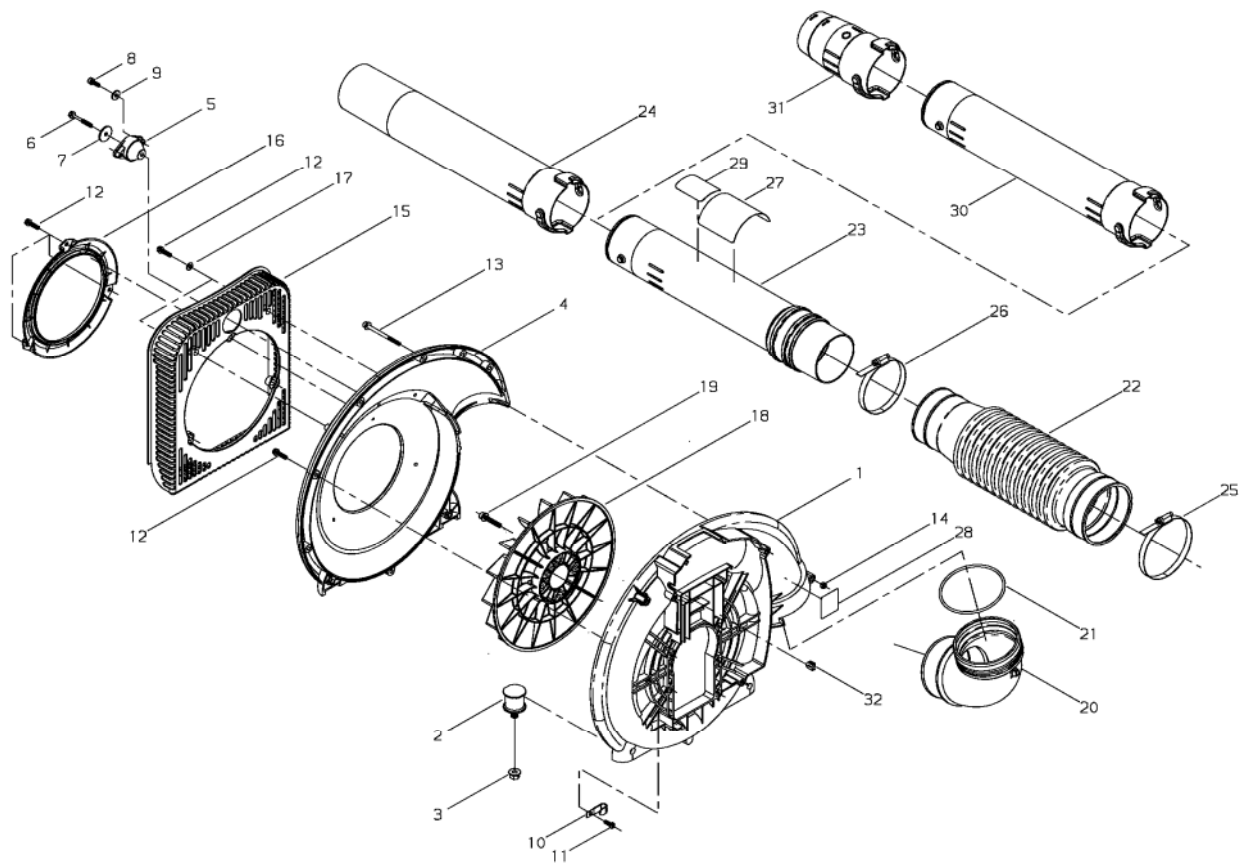
KEY	LV	PART NUMBER	Q'TY	DESCRIPTION	REMARKS	NOTE1	NOTE2
27		68900-98390	1	CAM KIT			
28		68900-13010	1	CAM SHAFT COMP			
29		68900-11330	2	PLATE			

4. VOLUT CASE



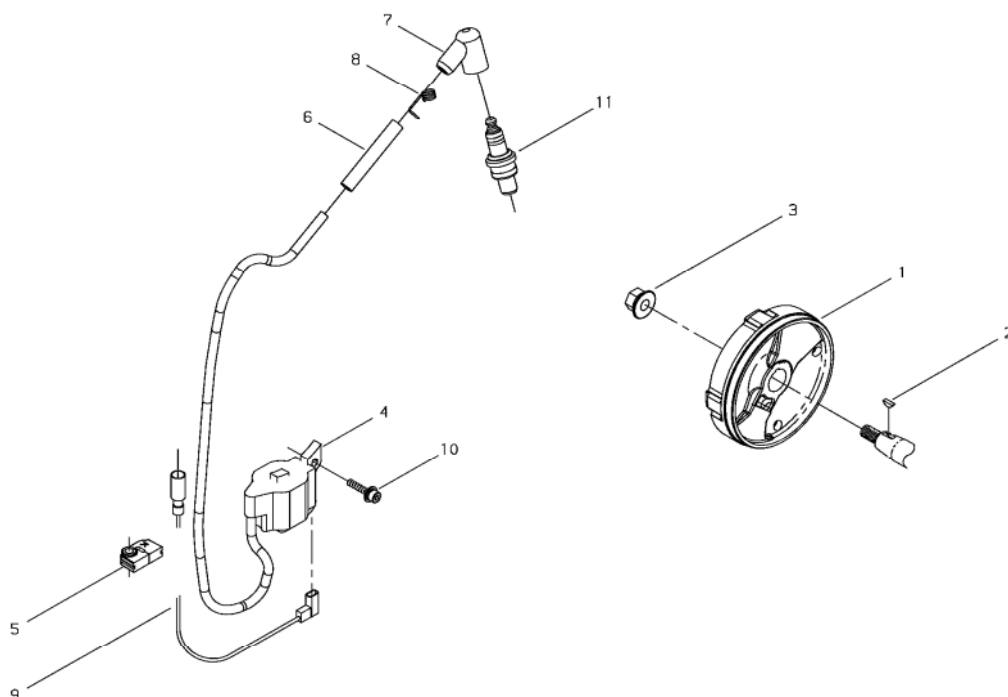
KEY	LV	PART NUMBER	Q'TY	DESCRIPTION	REMARKS	NOTE1	NOTE2
1		68900-61113	1	VOLUTE CASE			
2		68206-61320	2	AV RUBBER			
3		11526-06202	2	FLANGE NUT		M6	
4		68900-61121	1	VOLUTE COVER			
5		68206-61330	1	AV RUBBER			
6		68206-61340	1	BOLT TAPPING			
7		15401-20009	1	COLLAR		φ25xφ5.5xL2	
8		11020-05160	2	BOLT SW		M5x16	
9		15401-10010	2	COLLAR		φ15xφ5.2xL1.6	
10		68206-71370	1	CLAMP			
11		01280-05142	1	SCREW TAPPING		5x14	
12		70140-31480	14	BOLT PC			
13		11024-05700	2	BOLT SW		M5x70	
14		11500-05001	2	NUT		M5	
15		68900-61130	1	INTAKE COVER			
16		68900-61310	1	FUNNEL			
17		01613-05080	2	WASHER		5mm	
18		17343-07001	1	FAN		φ257	
19		11024-06351	4	BOLT SW		M6x35	
20		68900-63111	1	BEND PIPE			
21		68900-63330	1	O RING			
22		68900-63120	1	FLEXIBLE PIPE			
23		68900-63130	1	JOINT PIPE			
24		68900-63150	1	NOZZLE			
25		68900-63340	1	CLAMP			

4. VOLUT CASE



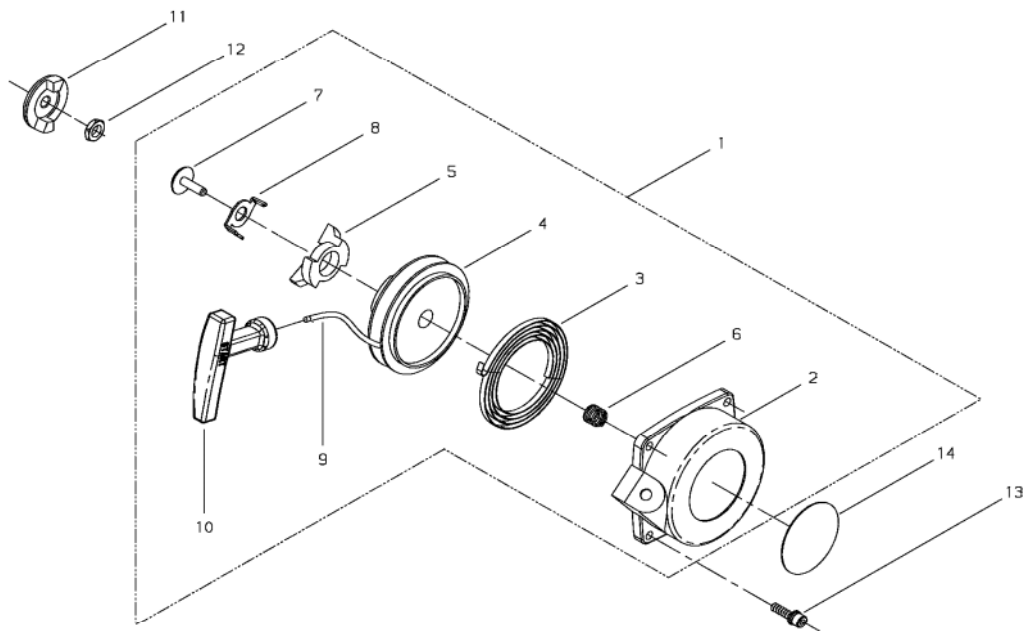
KEY	LV	PART NUMBER	Q'TY	DESCRIPTION	REMARKS	NOTE1	NOTE2
26		68900-63351	1	CLAMP			
27		68900-91340	1	LABEL TRADE			
28		19404-00037	1	LABEL DECIBEL		112dB(A)	
29		19402-00304	1	LABEL CAUTION			
30		68900-63140	1	PIPE			
31		68900-63360	1	NOZZLE			
32		22100-31531	1	GROMMET			

5. MAGNETO



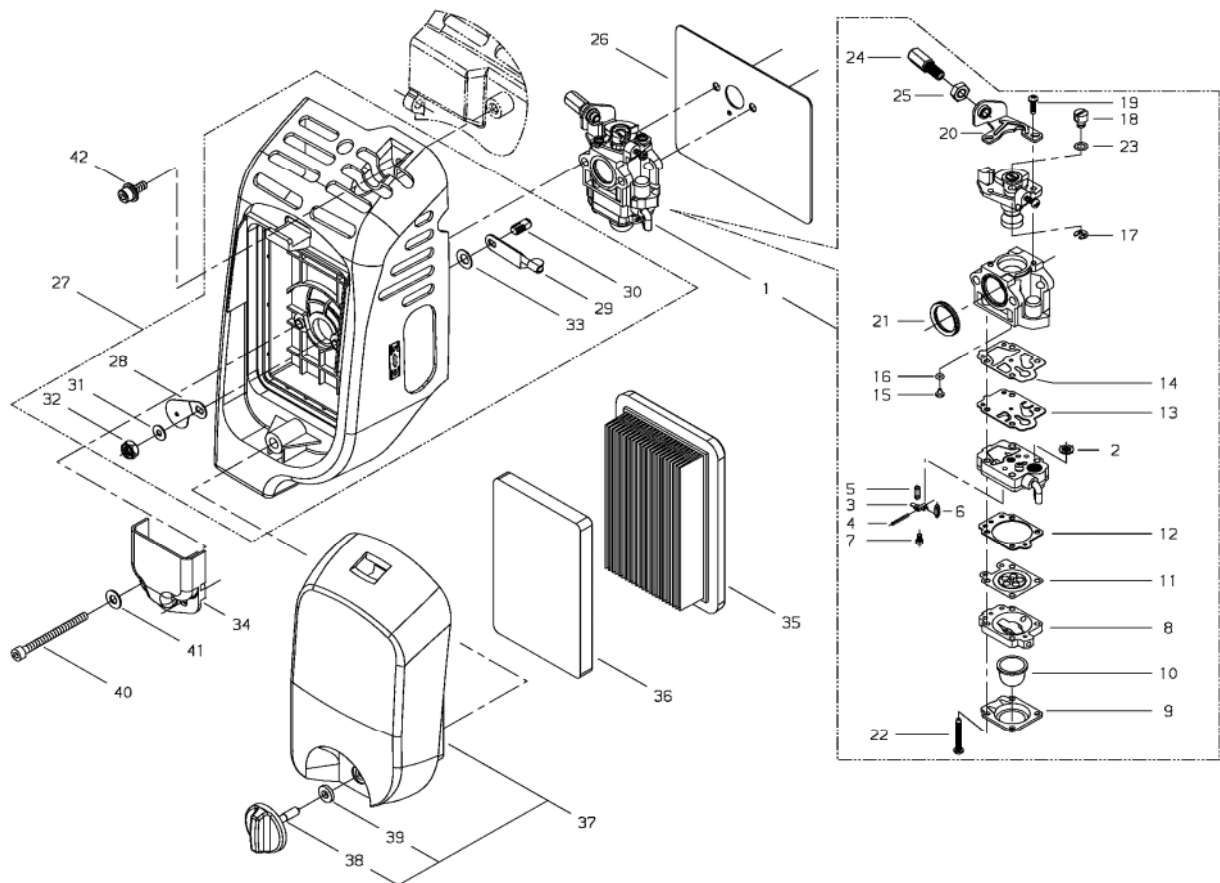
KEY	LV	PART NUMBER	Q'TY	DESCRIPTION	REMARKS	NOTE1	NOTE2
1		68900-71112	1	ROTOR			
2		12408-03100	1	KEY		3x10	
3		20035-71220	1	NUT			
4		68900-71020	1	COIL ASSY			
5		68900-71311	1	GROMMET			
6		70168-71660	1	TUBE			
7		62901-71250	1	PLUG CAP			
8		22154-72230	1	TERMINAL,SPARKPLUG			
9		14350-01701	2	LEAD WIRE		0.75mm2 L175	
10		11024-04200	2	BOLT SW		M4x20	
11		13001-10005	1	PLIG	NGK CMR5H	CMR5H	

6. RECOIL STARTER



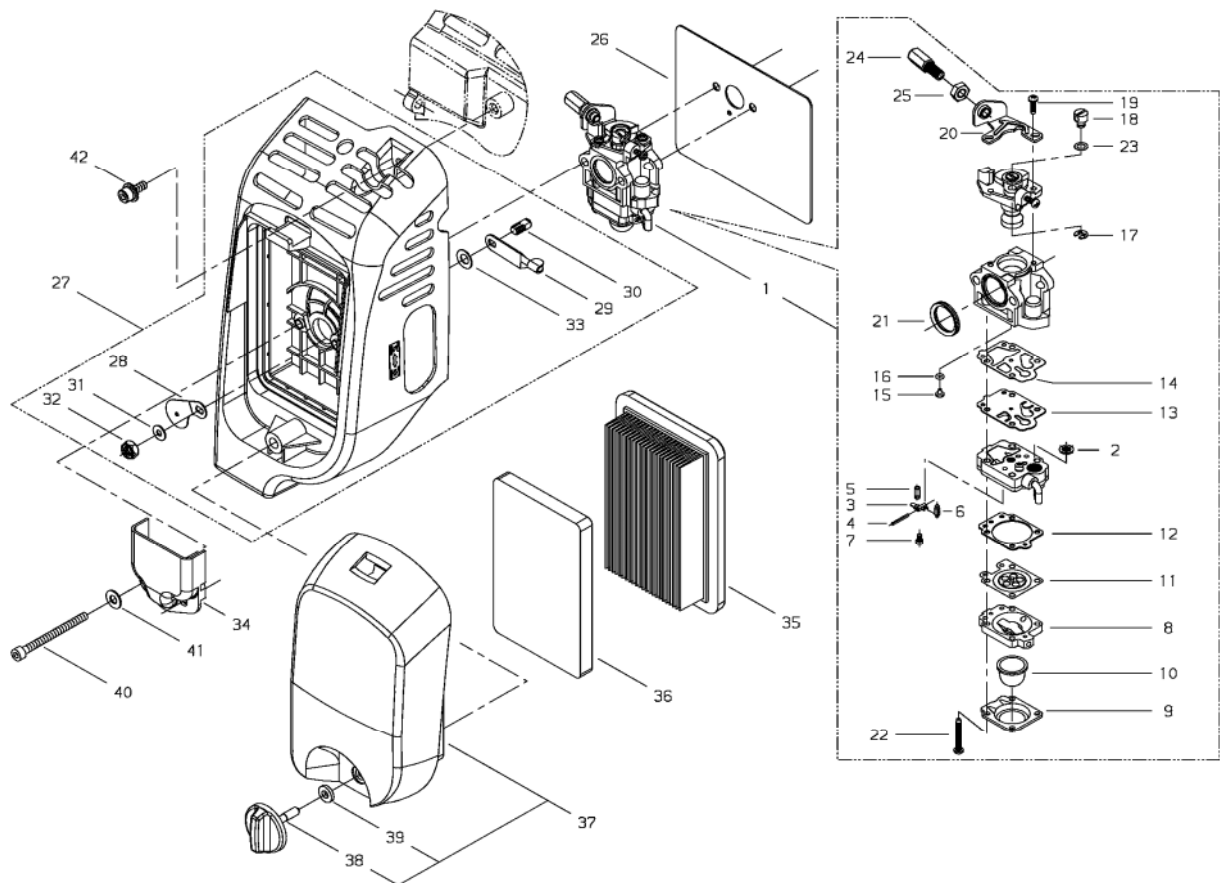
KEY	LV	PART NUMBER	Q'TY	DESCRIPTION	REMARKS	NOTE1	NOTE2
1		68900-75011	1	RECOIL STARTER ASSY			
2	▪	68900-75110	1	STARTER CASE			
3	▪	68900-75130	1	RECOIL SPRING			
4	▪	68900-75120	1	REEL			
5	▪	68900-75310	1	DOG			
6	▪	68900-75320	1	BRAKE SPRING			
7	▪	68900-75330	1	SCREW			
8	▪	68900-75340	1	RETAINER			
9	▪	68900-75140	1	ROPE			
10	▪	68900-75150	1	KNOB			
11		68900-75210	1	STARTER PULLEY			
12		01511-08051	1	NUT		M8	
13		11022-05200	4	BOLT SPW		M5x20	
14		19420-00070	1	LABEL TRADE		SHINDAIWA	

7. CARBURETOR



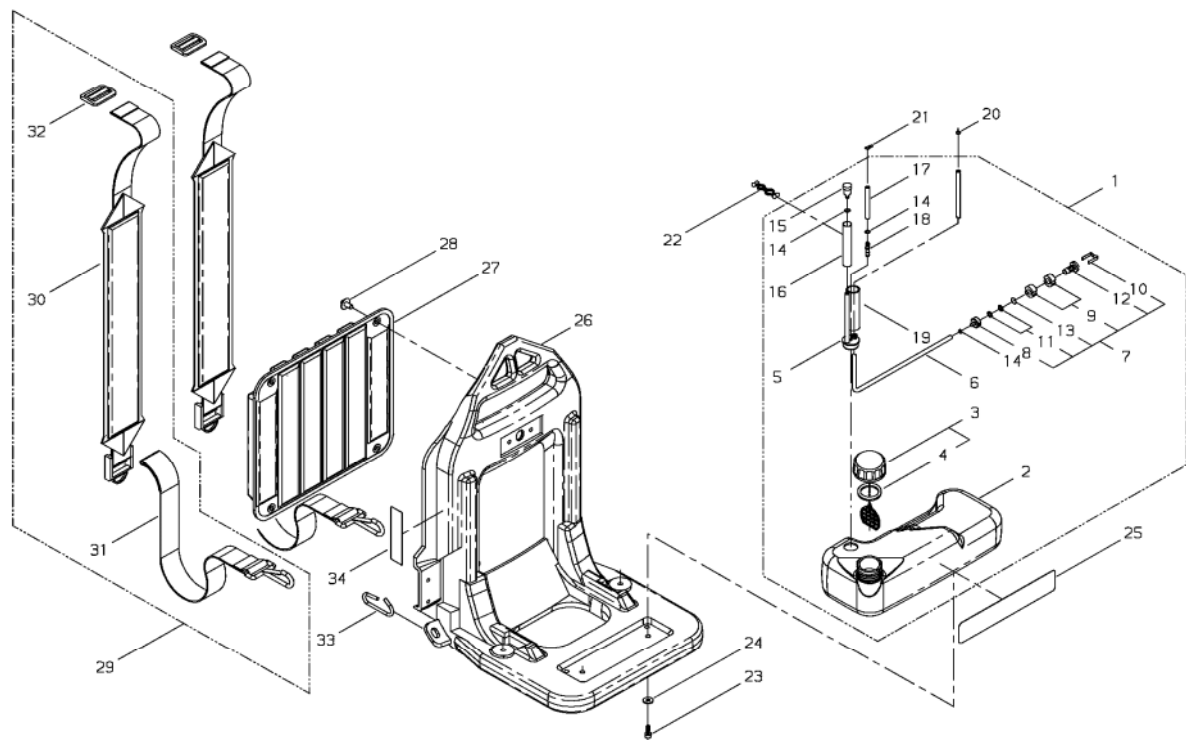
KEY	LV	PART NUMBER	Q'TY	DESCRIPTION	REMARKS	NOTE1	NOTE2
1		68900-81011	1	CARBURETOR ASSY			
2	▪	70030-81380	1	SCREEN			
3	▪	22100-81230	1	LEVER, METERING			
4	▪	22100-81250	1	PIN			
5	▪	72933-81270	1	SPRING			
6	▪	20036-81440	1	VALVE			
7	▪	20016-81450	1	SCREW			
8	▪	20016-81420	1	PUMP BASE COMP			
9	▪	20016-81510	1	PUMP COVER			
10	▪	20036-81670	1	PRIMER PUMP			
11	▪	37013-81310	1	DIAPHRAGM			
12	▪	20016-81280	1	GASKET			
13	▪	70097-81320	1	DIAPHRAGM			
14	▪	70097-81310	1	GASKET,PUMP			
15	▪	68900-81330	1	MAIN JET			
16	▪	70097-81220	1	O-RING			
17	▪	20036-81195	1	E RING			
18	▪	72933-81450	1	SWIVEL			
19	▪	70097-81290	2	SCREW			
20	▪	20089-81130	1	BRACKET			
21	▪	72933-81250	1	RING GASKET			
22	▪	20016-81140	4	SCREW			
23	▪	20089-81185	1	WASHER			
24	▪	20089-81110	1	CABLE ADJUSTER			
25	▪	20036-81120	1	NUT			
26		68900-81210	1	GASKET			

7. CARBURETOR



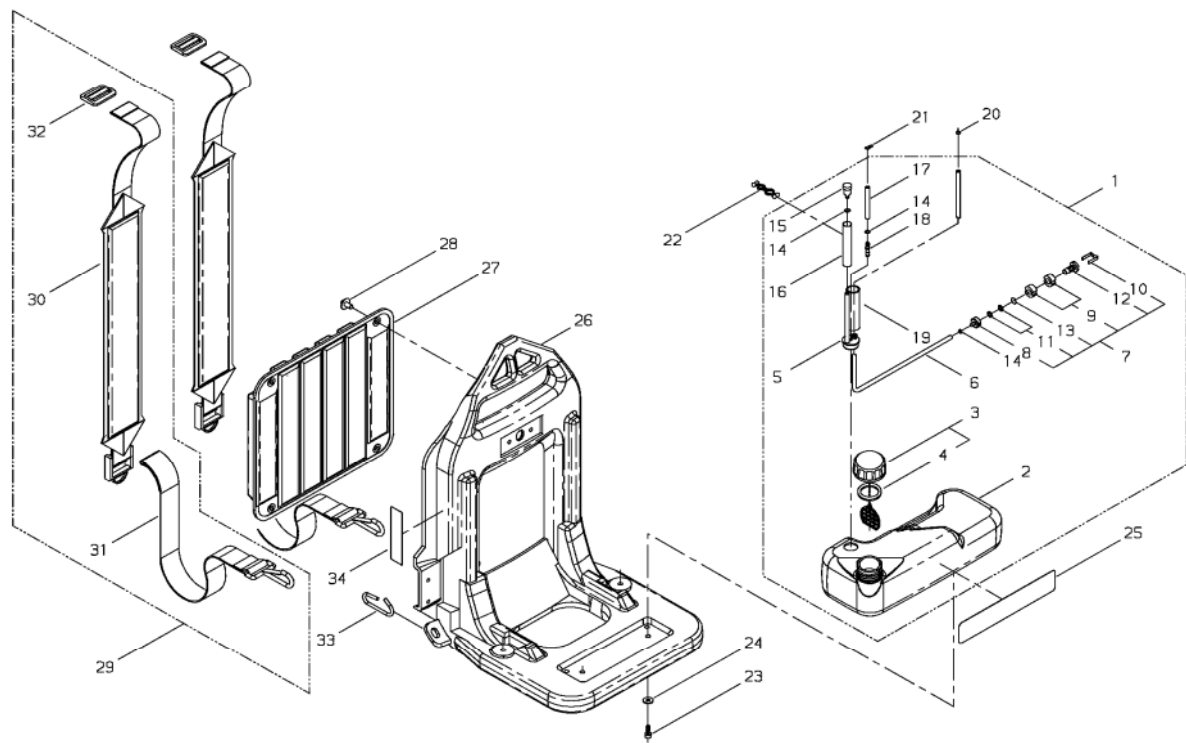
KEY	LV	PART NUMBER	Q'TY	DESCRIPTION	REMARKS	NOTE1	NOTE2
27		68900-82011	1	CLEANER BODY ASSY			
28	▪	20018-81711-B	1	CHOKE PLATE			
29	▪	20870-82120	1	CHOKE LEVER			
30	▪	20110-82140	1	CHOKE SHAFT			
31	▪	01600-06151	1	SPRING WASHER		6mm	
32	▪	11524-06211	1	U NUT		M6	
33	▪	20024-81790	1	CONE WASHER			
34		68900-82311	1	PLATE			
35		68900-82120	1	FILTER			
36		68900-82320	1	PRIFILTER			
37		68900-82030	1	CLEANER COVER ASSY			
38	▪	22182-31220	1	KNOB,CLEANER LID			
39	▪	23627-21220	1	COLLAR			
40		01020-05650	2	BOLT		M5x65	
41		01612-00500	2	WASHER		5mm	
42		11024-05160	1	BOLT PM SPW		M5x16	

8. FUEL TANK, FRAME



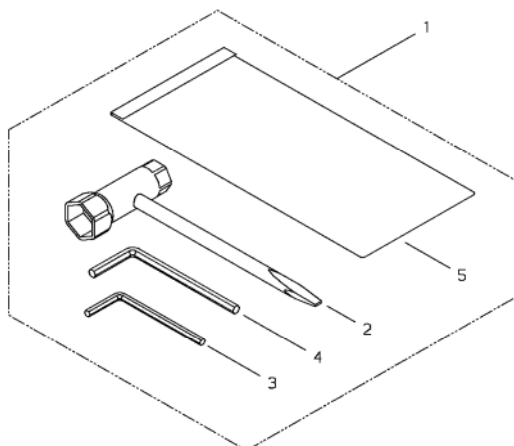
KEY	LV	PART NUMBER	Q'TY	DESCRIPTION	REMARKS	NOTE1	NOTE2
1		68900-85010	1	FUEL TANK ASSY			
2	•	68206-85110	1	FUEL TANK			
3	•	68204-85020	1	FUEL CAP ASSY			
4	• •	20000-85221	1	GASKET			
5	•	72933-85350	1	GROMMET			
6	•	68900-85310	1	FUEL PIPE			
7	•	22115-85401	1	FUEL FILTER			
8	• •	22128-85410	1	FUEL LINE WEIGHT			
9	• •	22128-85421	2	ELEMENT, STRAINER			
10	• •	22128-85440	1	CLIP FILTER			
11	• •	22118-85460	2	ELEMENT			
12	• •	22128-85470	1	SLEEVE			
13	• •	22128-85480	1	RING			
14	•	20020-85540	3	CLIP			
15	•	20035-85522	1	VALVE			
16	•	72935-85530	1	PIPE			
17	•	68900-85320	1	PIPE			
18	•	72933-85620	1	JOINT			
19	•	68206-85330	1	PIPE			
20		20020-85540	1	CLIP			
21		37013-85310	1	CLIP			
22		72935-85550	1	CLIP			
23		11060-05140	2	BOLT ADHESIVE		M5x14	
24		15401-10010	2	COLLAR		φ15xφ5.2xL1.6	
25		68900-91320	1	LABEL TRADE			

8. FUEL TANK, FRAME



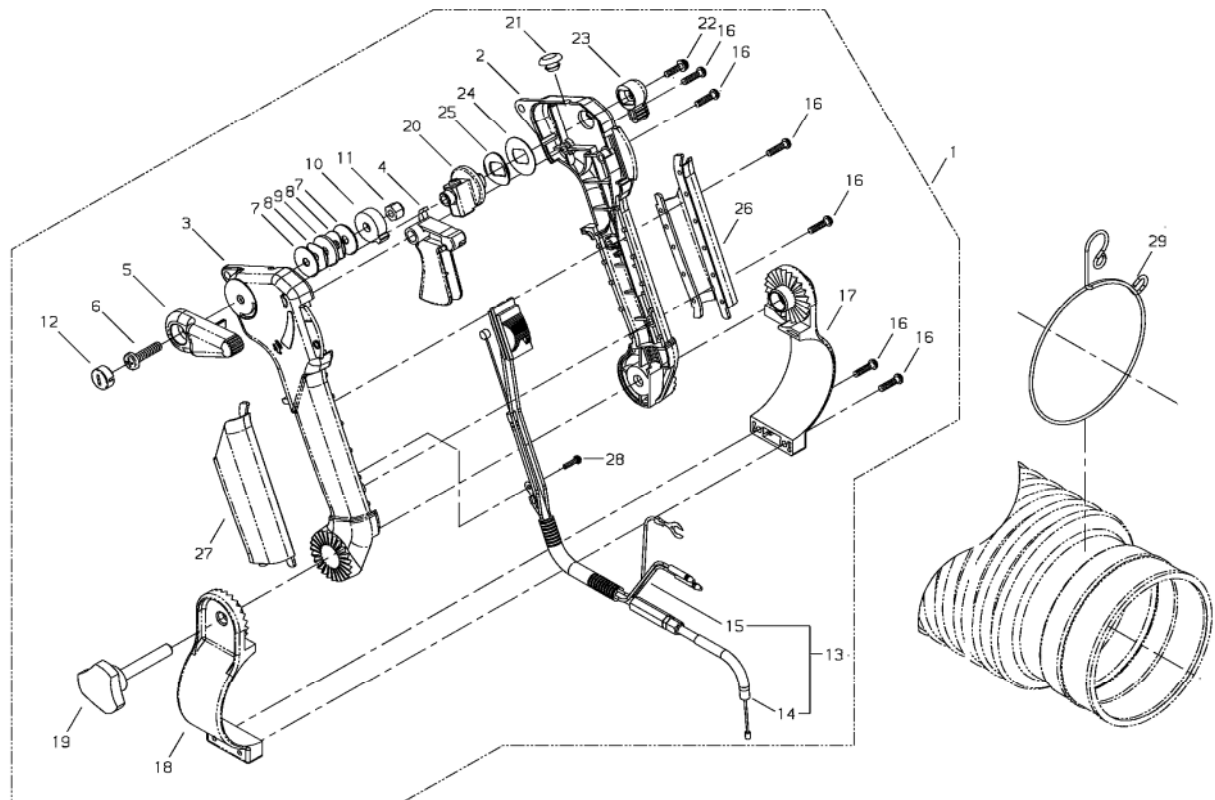
KEY	LV	PART NUMBER	Q'TY	DESCRIPTION	REMARKS	NOTE1	NOTE2
26		68206-86111	1	FRAME			
27		72935-86120	1	PAD			
28		72935-86130	4	CLIP			
29		68206-87010	2	BAND ASSY			
30	▪	68206-87110	1	BAND			
31	▪	72935-87120	1	BAND			
32	▪	72451-17230	1	BUCKLE			
33		72935-87310	2	RING			
34		19402-00148	1	LABEL, CAUTION			

9. TOOL



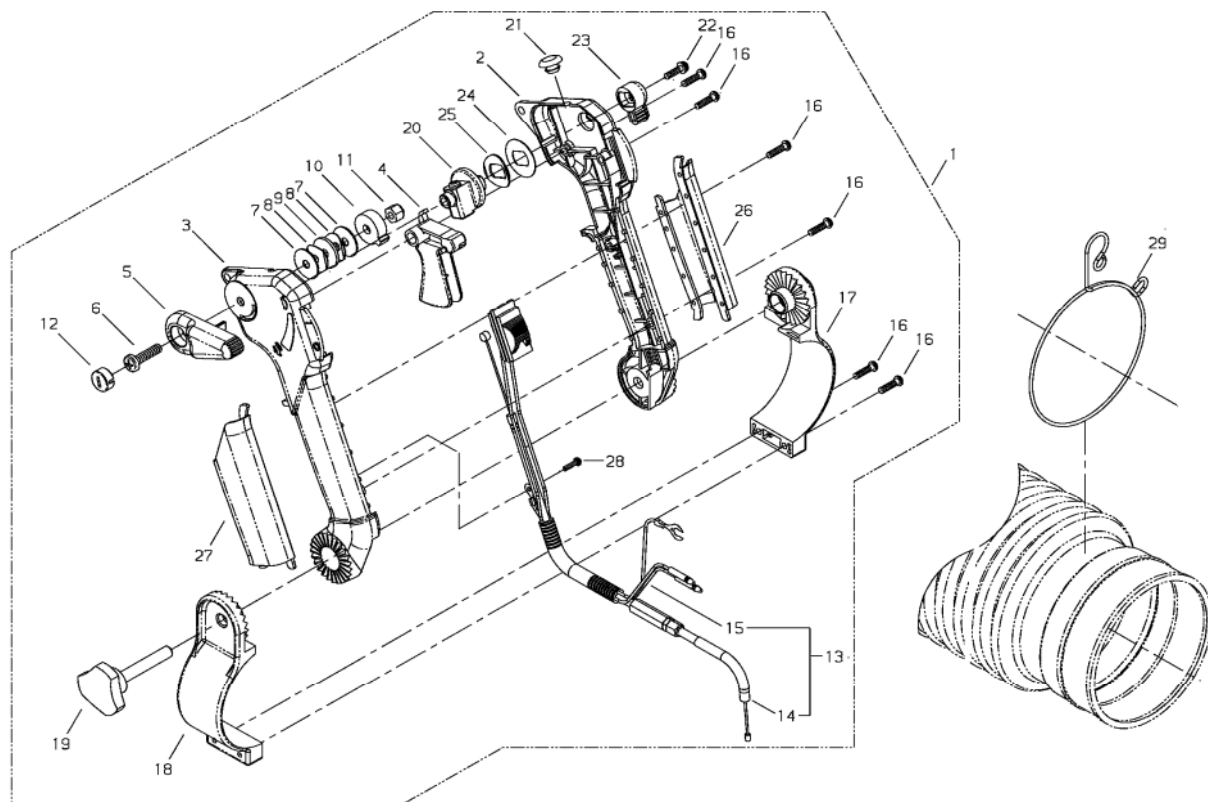
KEY	LV	PART NUMBER	Q'TY	DESCRIPTION	REMARKS	NOTE1	NOTE2
1		68900-92310	1	TOOL SET			
2	•	22580-91180	1	PLUG WRENCH			
3	•	09026-04001	1	HEXA WRENCH	4MM M5㉿	4mm M5	
4	•	09026-05001	1	HEXA WRENCH 6MM		5mm M6	
5	•	19639-01100	1	POLY BAG		0.04*175*115	

10. THROTTLE LEVER



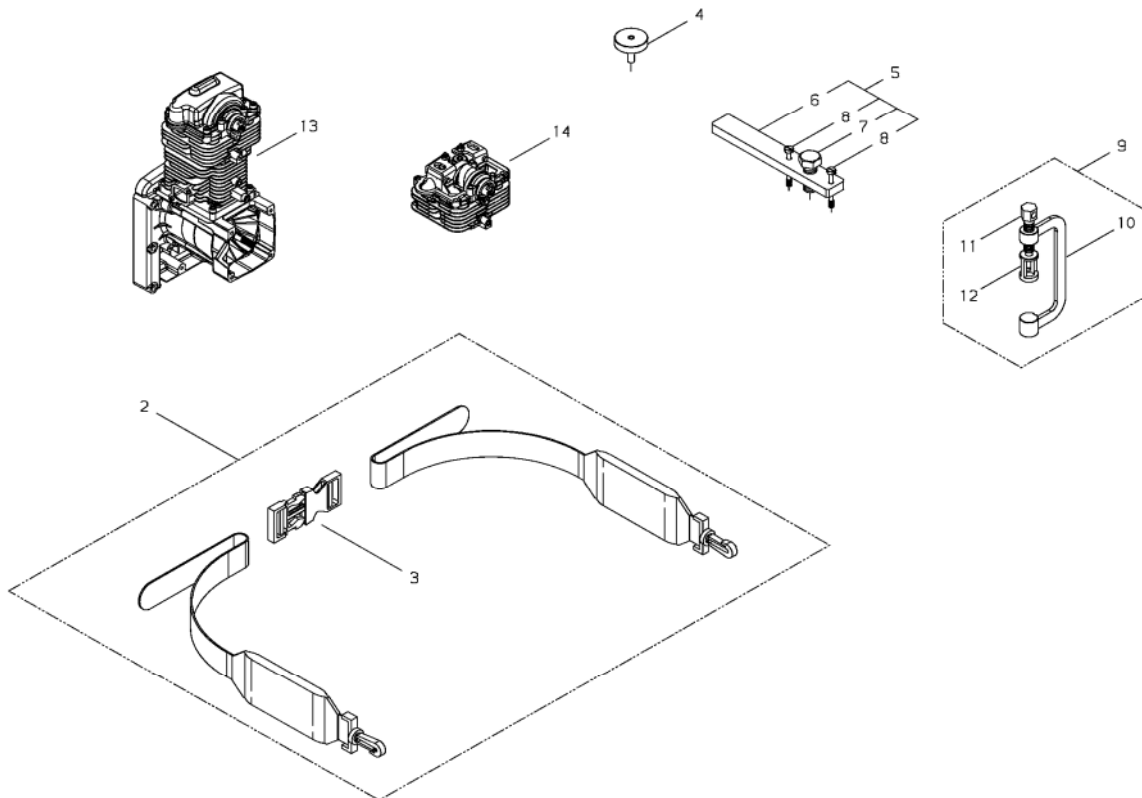
KEY	LV	PART NUMBER	Q'TY	DESCRIPTION	REMARKS	NOTE1	NOTE2
1		68901-84010	1	THROTTLE LEVER ASSY			
2	▪	68209-84321	1	BODY RIGHT			
3	▪	68209-84331	1	BODY LEFT			
4	▪	68209-84340	1	THROTTLE LEVER			
5	▪	68209-84350	1	LOCK LEVER			
6	▪	68209-84360	1	ADJUST BOLT			
7	▪	68209-84370	2	WASHER			
8	▪	68209-84380	2	ADJ SPRING			
9	▪	68209-84390	1	WASHER			
10	▪	68209-84400	1	PLATE			
11	▪	68209-84410	1	NYLON NUT			
12	▪	68209-84420	1	RUBBER CAP			
13	▪	68901-84320	1	THROTTLE CABLE ASSY			
14	▪▪	68901-84330	1	THROTTLE CABLE			
15	▪▪	68901-84340	1	SWITCH			
16	▪	68209-84440	6	SCREW			
17	▪	68209-84450	1	BAND RIGHT			
18	▪	68209-84460	1	BAND LEFT			
19	▪	68209-84470	1	KNOB BOLT			
20	▪	68209-84480	1	ADJUSTER ASSY			
21	▪	68209-84490	1	PLUG			
22	▪	68209-84500	1	SCREW			
23	▪	68209-84510	1	SUB LEVER			
24	▪	68209-84520	1	WASHER			
25	▪	68209-84530	1	ADJ SPRING			
26	▪	68209-84541	1	GRIP			

10. THROTTLE LEVER



KEY	LV	PART NUMBER	Q'TY	DESCRIPTION	REMARKS	NOTE1	NOTE2
27	•	68209-84551	1	GRIP			
28	•	68209-84561	1	SCREW			
29		68901-84311	1	CLAMP			

11. OPTION



KEY	LV	PART NUMBER	Q'TY	DESCRIPTION	REMARKS	NOTE1	NOTE2
2		68900-87030	1	BAND ASSY			
3	▪	68900-87310	1	BUCKLE			
4		68900-98310	1	ADJUST WRENCH			
5		68900-98320	1	PULLER ASSY			
6	▪	68900-98330	1	LEVER			
7	▪	22100-96121	1	CENTER BOLT			
8	▪	22102-96130	2	BOLT			
9		68900-98340	1	SPRING COMPRESSOR			
10	▪	68900-98350	1	FRAME			
11	▪	68900-98360	1	SHAFT BOLT			
12	▪	68900-98370	1	ADAPTER			
13		68900-98401	1	SHORT BLOCK			
14		68900-98410	1	CYLINDER HEAD KIT			

Index

Patrs Number	Key No.	Patrs Number	Key No.	Patrs Number	Key No.
01020-05140	1 - 8	14395-09100	2 - 20	23627-21220	7 - 39
01020-05140	3 - 18	15401-10010	4 - 9	37013-81310	7 - 11
01020-05220	1 - 2	15401-10010	8 - 24	37013-85310	8 - 21
01020-05300	2 - 8	15401-20009	4 - 7	62901-42260	3 - 8
01020-05650	7 - 40	17343-07001	4 - 18	62901-44231	3 - 12
01020-06160	1 - 27	19402-00148	8 - 34	62901-71250	5 - 7
01020-06250	1 - 11	19402-00304	4 - 29	68204-85020	8 - 3
01020-06350	1 - 4	19404-00037	4 - 28	68206-61320	4 - 2
01020-06355	1 - 26	19420-00070	6 - 14	68206-61330	4 - 5
01210-04140	1 - 14	19639-01100	9 - 5	68206-61340	4 - 6
01210-05086	1 - 23	20000-85221	8 - 4	68206-71370	4 - 10
01280-05142	4 - 11	20016-81140	7 - 22	68206-85110	8 - 2
01511-08051	6 - 12	20016-81280	7 - 12	68206-85330	8 - 19
01600-06151	7 - 31	20016-81420	7 - 8	68206-86111	8 - 26
01610-06080	1 - 28	20016-81450	7 - 7	68206-87010	8 - 29
01612-00500	3 - 19	20016-81510	7 - 9	68206-87110	8 - 30
01612-00500	7 - 41	20018-81711-B	7 - 28	68209-84321	10 - 2
01613-05080	4 - 17	20020-85540	8 - 14	68209-84331	10 - 3
02030-06001	3 - 7	20020-85540	8 - 20	68209-84340	10 - 4
02030-06303	2 - 5	20024-81790	7 - 33	68209-84350	10 - 5
02427-40085	2 - 16	20035-71220	5 - 3	68209-84360	10 - 6
09026-04001	9 - 3	20035-85522	8 - 15	68209-84370	10 - 7
09026-05001	9 - 4	20036-81120	7 - 25	68209-84380	10 - 8
11020-05160	4 - 8	20036-81195	7 - 17	68209-84390	10 - 9
11022-05120	2 - 19	20036-81440	7 - 6	68209-84400	10 - 10
11022-05200	6 - 13	20036-81670	7 - 10	68209-84410	10 - 11
11022-05300	1 - 18	20089-81110	7 - 24	68209-84420	10 - 12
11024-04200	2 - 11	20089-81130	7 - 20	68209-84440	10 - 16
11024-04200	5 - 10	20089-81185	7 - 23	68209-84450	10 - 17
11024-05160	2 - 14	20110-82140	7 - 30	68209-84460	10 - 18
11024-05160	7 - 42	20870-82120	7 - 29	68209-84470	10 - 19
11024-05700	4 - 13	22100-31531	4 - 32	68209-84480	10 - 20
11024-06351	4 - 19	22100-81230	7 - 3	68209-84490	10 - 21
11060-05140	8 - 23	22100-81250	7 - 4	68209-84500	10 - 22
11060-06400	2 - 9	22100-96121	11 - 7	68209-84510	10 - 23
11500-05001	4 - 14	22102-96130	11 - 8	68209-84520	10 - 24
11524-06211	7 - 32	22115-85401	8 - 7	68209-84530	10 - 25
11526-06202	4 - 3	22118-85460	8 - 11	68209-84541	10 - 26
11620-10001	1 - 5	22128-85410	8 - 8	68209-84551	10 - 27
12310-12000	2 - 3	22128-85421	8 - 9	68209-84561	10 - 28
12310-12000	2 - 6	22128-85440	8 - 10	68900-11022	1 - 1
12408-03100	3 - 17	22128-85470	8 - 12	68900-11210	3 - 1
12408-03100	5 - 2	22128-85480	8 - 13	68900-11220	3 - 2
12492-40080	1 - 19	22154-72230	5 - 8	68900-11230	3 - 3
12492-40080	2 - 7	22155-41230	3 - 23	68900-11240	3 - 4
12492-60350	3 - 13	22155-41281	3 - 24	68900-11250	3 - 5
12900-62020	2 - 2	22169-41220	3 - 22	68900-11260	1 - 3
13001-10005	5 - 11	22182-31220	7 - 38	68900-11271	1 - 6
14350-01701	5 - 9	22580-91180	9 - 2	68900-11281	1 - 7

Index

Patrs Number	Key No.	Patrs Number	Key No.	Patrs Number	Key No.
68900-11330	3 - 29	68900-75011	6 - 1	70140-31480	4 - 12
68900-12111	1 - 9	68900-75110	6 - 2	70168-71660	5 - 6
68900-12121	1 - 10	68900-75120	6 - 4	72451-17230	8 - 32
68900-12211	1 - 15	68900-75130	6 - 3	72933-81250	7 - 21
68900-12220	1 - 17	68900-75140	6 - 9	72933-81270	7 - 5
68900-12310	1 - 12	68900-75150	6 - 10	72933-81450	7 - 18
68900-12320	1 - 13	68900-75210	6 - 11	72933-85350	8 - 5
68900-12333	1 - 16	68900-75310	6 - 5	72933-85620	8 - 18
68900-13010	3 - 28	68900-75320	6 - 6	72935-85530	8 - 16
68900-13110	3 - 6	68900-75330	6 - 7	72935-85550	8 - 22
68900-13121	3 - 9	68900-75340	6 - 8	72935-86120	8 - 27
68900-13131	3 - 10	68900-81011	7 - 1	72935-86130	8 - 28
68900-13140	3 - 11	68900-81210	7 - 26	72935-87120	8 - 31
68900-13150	3 - 14	68900-81330	7 - 15	72935-87310	8 - 33
68900-13160	3 - 15	68900-82011	7 - 27		
68900-13170	3 - 16	68900-82030	7 - 37		
68900-15011	1 - 20	68900-82120	7 - 35		
68900-15130	1 - 21	68900-82311	7 - 34		
68900-15160	1 - 22	68900-82320	7 - 36		
68900-15210	1 - 24	68900-85010	8 - 1		
68900-15320	1 - 25	68900-85310	8 - 6		
68900-21011	2 - 1	68900-85320	8 - 17		
68900-21023	2 - 4	68900-87030	11 - 2		
68900-21311	2 - 10	68900-87310	11 - 3		
68900-31110	2 - 12	68900-91320	8 - 25		
68900-31311	2 - 13	68900-91330	2 - 21		
68900-31321	2 - 22	68900-91340	4 - 27		
68900-31331	2 - 23	68900-92310	9 - 1		
68900-32110	2 - 17	68900-98310	11 - 4		
68900-32120	2 - 18	68900-98320	11 - 5		
68900-41110	3 - 20	68900-98330	11 - 6		
68900-41120	3 - 21	68900-98340	11 - 9		
68900-42012	3 - 25	68900-98350	11 - 10		
68900-61113	4 - 1	68900-98360	11 - 11		
68900-61121	4 - 4	68900-98370	11 - 12		
68900-61130	4 - 15	68900-98380	3 - 26		
68900-61310	4 - 16	68900-98390	3 - 27		
68900-63111	4 - 20	68900-98401	11 - 13		
68900-63120	4 - 22	68900-98410	11 - 14		
68900-63130	4 - 23	68901-84010	10 - 1		
68900-63140	4 - 30	68901-84311	10 - 29		
68900-63150	4 - 24	68901-84320	10 - 13		
68900-63330	4 - 21	68901-84330	10 - 14		
68900-63340	4 - 25	68901-84340	10 - 15		
68900-63351	4 - 26	70030-81380	7 - 2		
68900-63360	4 - 31	70097-81220	7 - 16		
68900-71020	5 - 4	70097-81290	7 - 19		
68900-71112	5 - 1	70097-81310	7 - 14		
68900-71311	5 - 5	70097-81320	7 - 13		

YAMABIKO CORPORATION

7-2 SUEHIROCHO 1-CHOME, OHME, TOKYO 198-8760, JAPAN
PHONE: 81-428-32-6118. FAX: 81-428-32-6145.

shindaiwa[®]

EC2
No.