

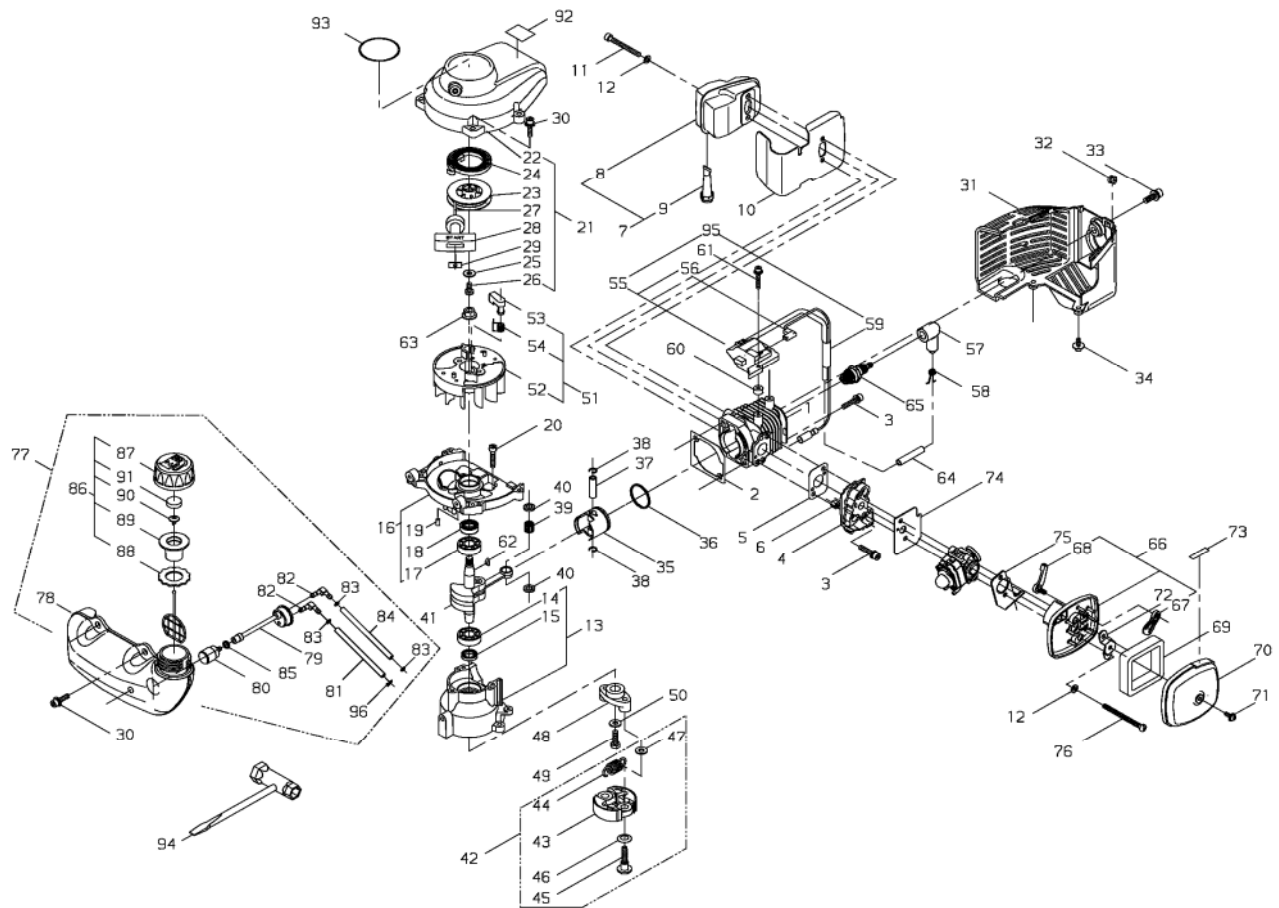
shindaiwa[®]

PARTS CATALOGUE

HEDGE TRIMMER DH220 EC1

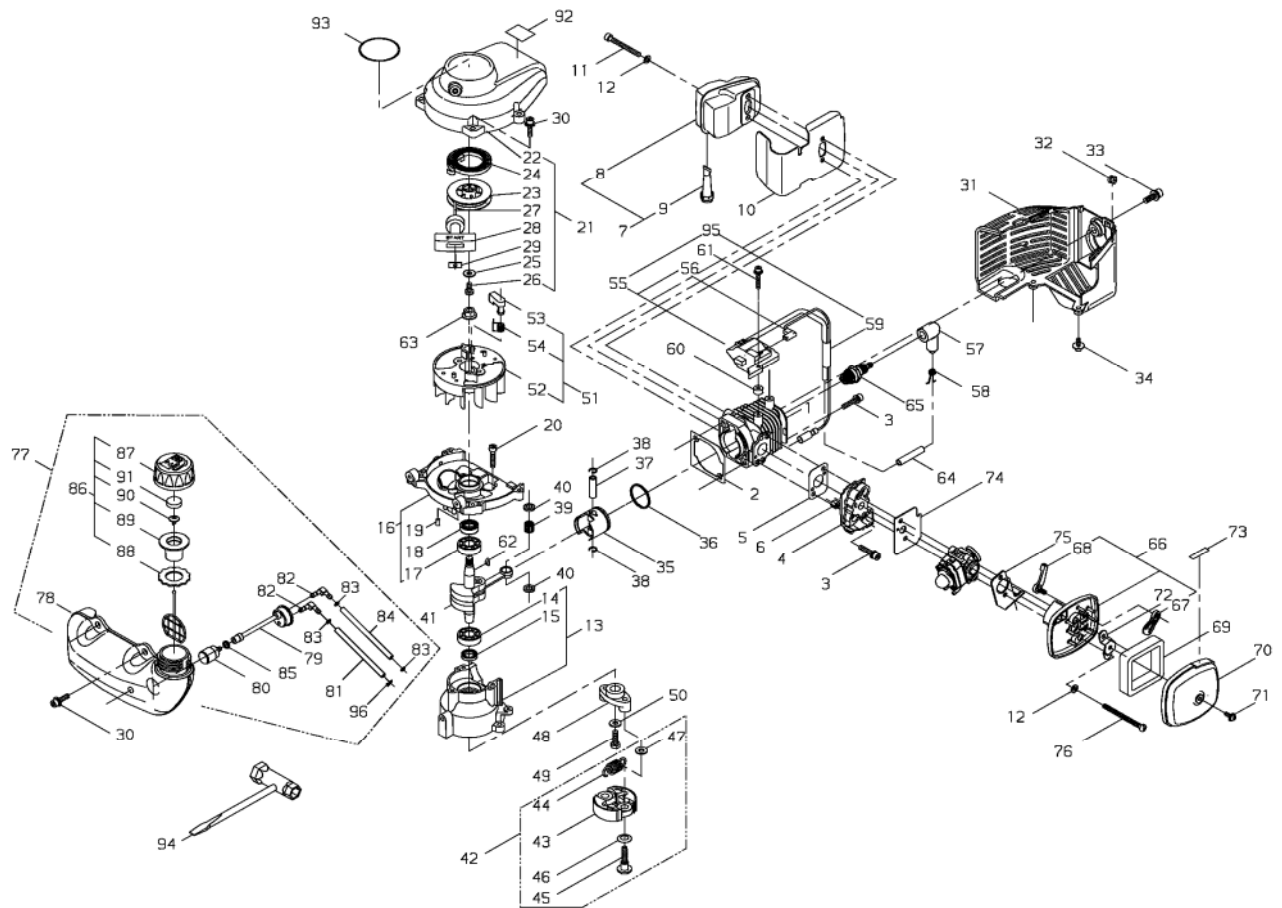
DH220 EC1

1. Ref.1



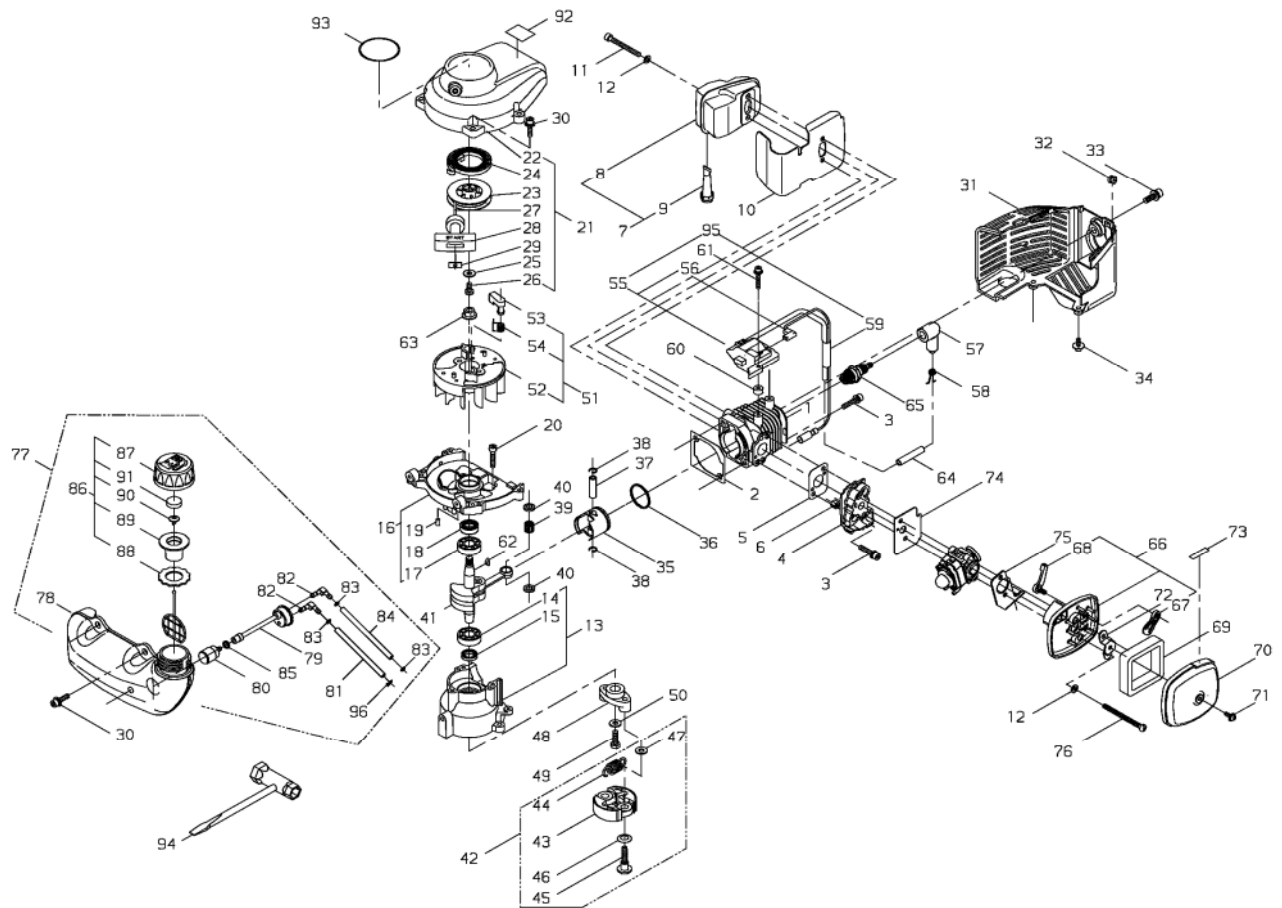
KEY	LV	PART NUMBER	Q'TY	DESCRIPTION	REMARKS	NOTE1	NOTE2
1		20142-12110	1	CYLINDER			
2		20870-12121	1	GASKET			
3		11022-05250	4	BOLT SPW		M5x25	
4		20140-12210	1	INSULATOR			
5		20140-12221	1	GASKET			
6		20011-12260	2	NUT		M5	
7		67000-15010	1	MUFFLER ASSY			
8		67000-15110	1	MUFFLER			
9		67000-15340	1	SPARK ARRESTER			
10		68120-15210	1	GASKET			
11		01020-05400	2	BOLT		M5x40	
12		01610-05080	4	WASHER		φ5	
13		20870-21100	1	CRANK CASE PTO COMP			
14		12900-60010	1	BALL BEARING		6001	
15		22150-21250	1	SEAL,OIL			
16		20870-21301	1	CRANK CASE M COMP			
17		12900-60010	1	BALL BEARING		6001	
18		20000-21211	1	OIL SEAL			
19		12492-40080	2	ROLLER			
20		01020-05250	3	BOLT		M5x25	
21		68120-31010	1	FAN COVER ASSY			
22		68120-31110	1	FAN COVER			
23		70030-75120	1	REEL			
24		70030-75130	1	RECOIL SPRING			
25		70030-75140	1	WASHER			
26		20035-75170	1	SCREW			

1. Ref.1



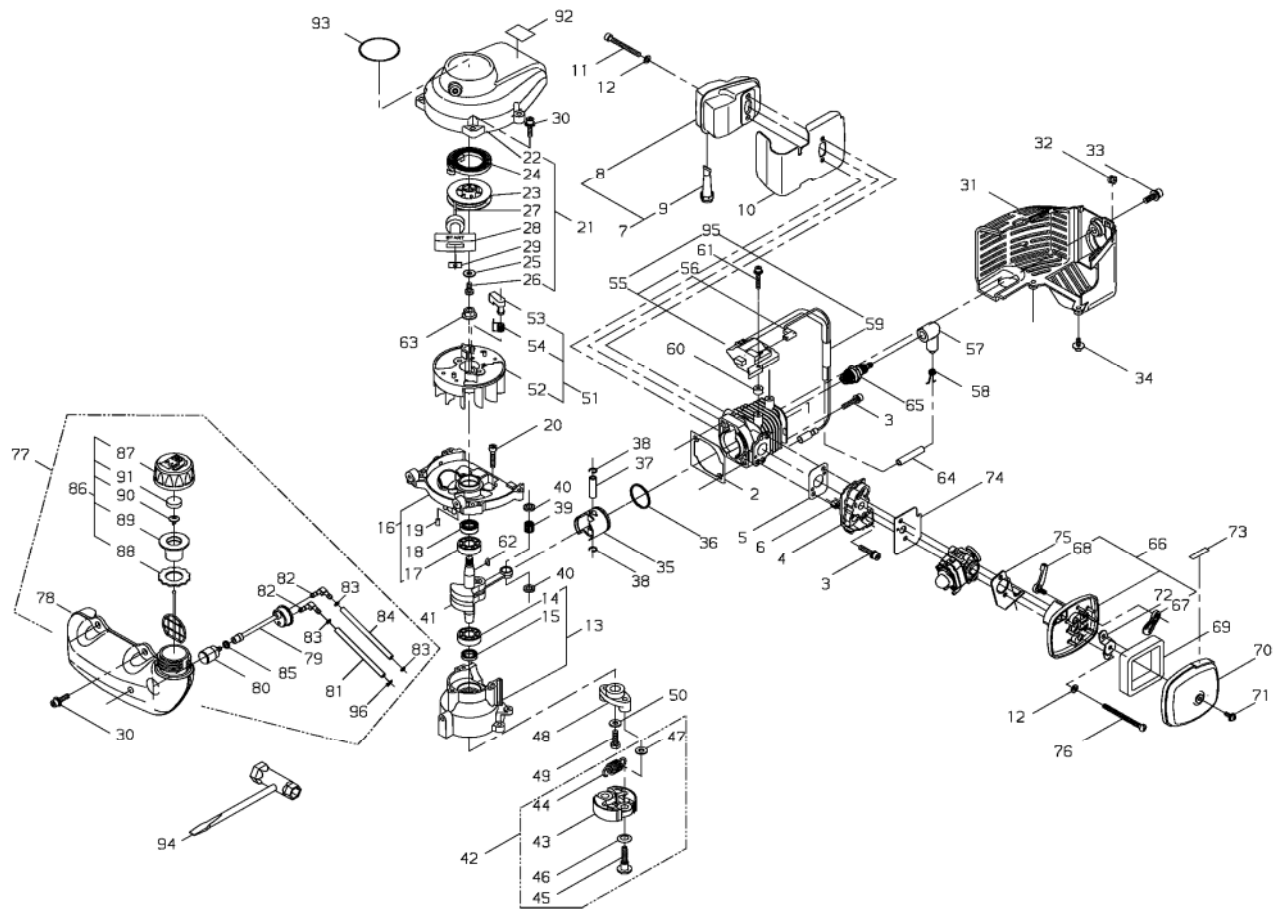
KEY	LV	PART NUMBER	Q'TY	DESCRIPTION	REMARKS	NOTE1	NOTE2
27	•	70030-75160	1	ROPE			
28	•	20010-75190	1	STARTER KNOB			
29	•	20010-75210	1	STOPPER			
30		11060-05202	7	BOLT ADHESIVE		M5x20	
31		68120-32110	1	CYLINDER COVER			
32		20011-72120	1	GROMMET			
33		11022-06160	1	BOLT SPW			
34		11060-04163	2	BOLT		M4x16	
35		20142-41111	1	PISTON			
36		20142-41210	1	PISTON RING			
37		20142-41310	1	PISTON PIN			
38		70030-41320	2	RING,END			
39		20016-41330	1	NEEDLE BEARING			
40		20016-41340	2	THRUST WASHER			
41		68120-42010	1	CRANK SHAFT			
42		67000-51011	1	CLUTCH SHOE SET			
43	•	20035-51111	2	CLUTCH SHOE			
44	•	20035-51221	1	CLUTCH SPRING			
45	•	20142-51210	2	BOLT		M6	
46	•	20087-51231	2	SPRING PLATE			
47	•	22100-71430	2	WASHER		φ6	
48		20870-51211	1	CLUTCH BOSS			
49		20870-51220	1	BOLT		M6x18	
50		22100-71430	1	WASHER		φ6	
51		20870-71100	1	ROTOR SUB ASSY			
52	•	20870-71110	1	ROTOR			

1. Ref.1



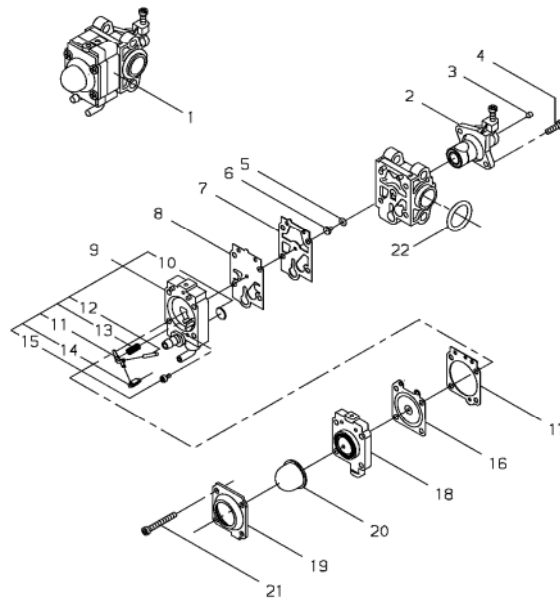
KEY	LV	PART NUMBER	Q'TY	DESCRIPTION	REMARKS	NOTE1	NOTE2
53	•	20870-71120	1	RATCHET			
54	•	20870-71130	1	COIL SPRING			
55	•	68120-71021	1	COIL ASSY			
56	•	20870-71222	1	CORD			
57		22102-72220	1	PLUG CAP			
58		20000-72230	1	SPRING SPARK PLUG			
59	•	20016-71651	1	TUBE		φ8	
60		68120-71320	2	INSULATOR			
61		11024-04261	2	BOLT		M4x26	
62		02403-03100	1	KEY	3*10		
63		20035-71220	1	NUT		M8	
64		70064-72111	1	TUBE		φ6	
65		13000-13406	1	SPARK PLUG BMR6A		BMR6A	
66		2014081710	1	CLEANER BODY			
67	•	20140-81720	1	CHOKE PLATE			
68	•	20140-81730	1	CHOKE LEVER			
69		20140-82210	1	FILTER			
70		20140-81790	1	CLEANER COVER			
71		37019-82340	1	SCREW PM SLPW			
72		20018-81721	1	BACK PLATE			
73		19404-00008	1	LABEL CHOKE			
74		68120-82310	1	GASKET			
75		68120-81310	1	CABLE HOLDER			
76		11203-05658	2	SCREW PM			
77		68122-85011	1	FUEL TANK ASSY			
78	•	68120-85110	1	FUEL TANK			

1. Ref.1



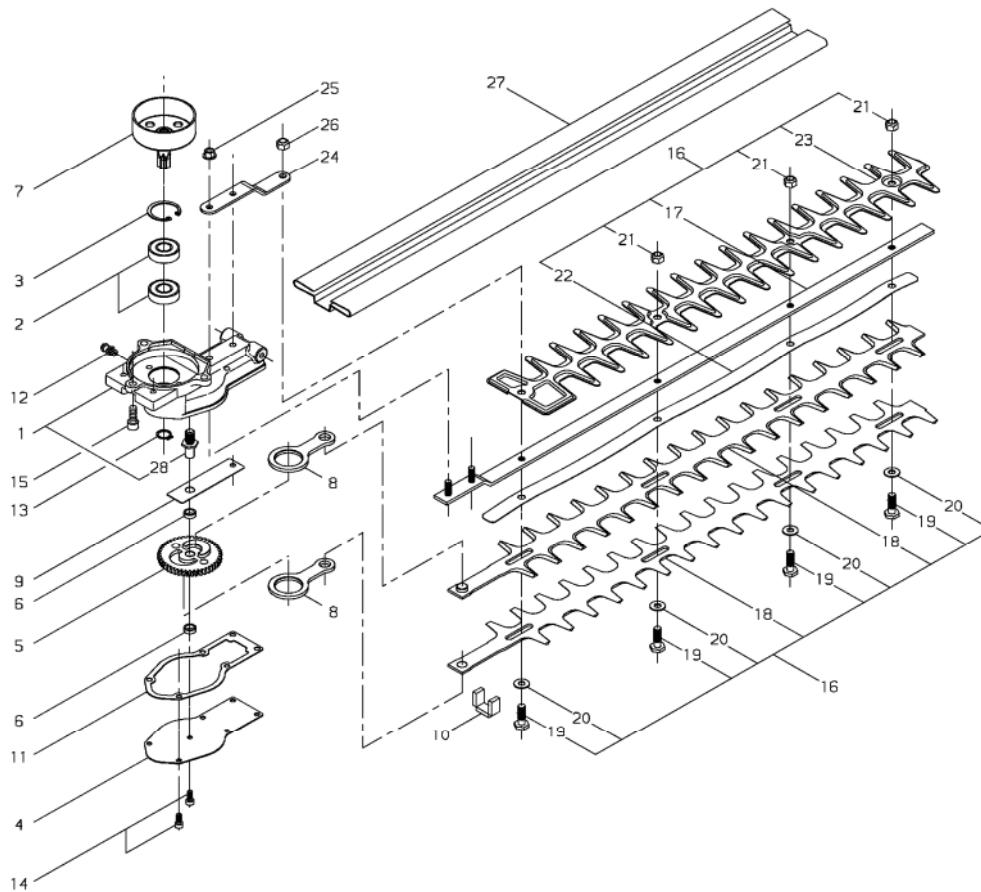
KEY	LV	PART NUMBER	Q'TY	DESCRIPTION	REMARKS	NOTE1	NOTE2
79	•	20870-85121	1	FUEL PIPE			
80	•	20016-85400	1	FUEL FILTER			
81	•	20870-85132	1	PIPE			
82	•	20087-85340	2	JOINT,PIPE			
83	•	20020-85540	3	CLIP			
84	•	68120-85330	1	PIPE			
85	•	20000-85350	1	CLAMP B			
86	•	62800-85021	1	FUEL CAP ASSY			
87	•	20870-85310	1	FUEL CAP			
88	•	20870-85160	1	GASKET			
89	•	62800-85310	1	HOLDER COMP			
90	•	20870-85320	1	VALVE FUEL			
91	•	20870-85210	1	SEAL,CIRCULAR			
92		19404-00033	1	LABEL DECIBEL		108dB(A)	
93		38121-91020	1	LABEL TRADE			
94		22000-91181	1	PLUG WRENCH		13x19	
95		68120-98310	1	COIL SET			
96	•	37013-85310	1	CLIP			

2. Ref.2



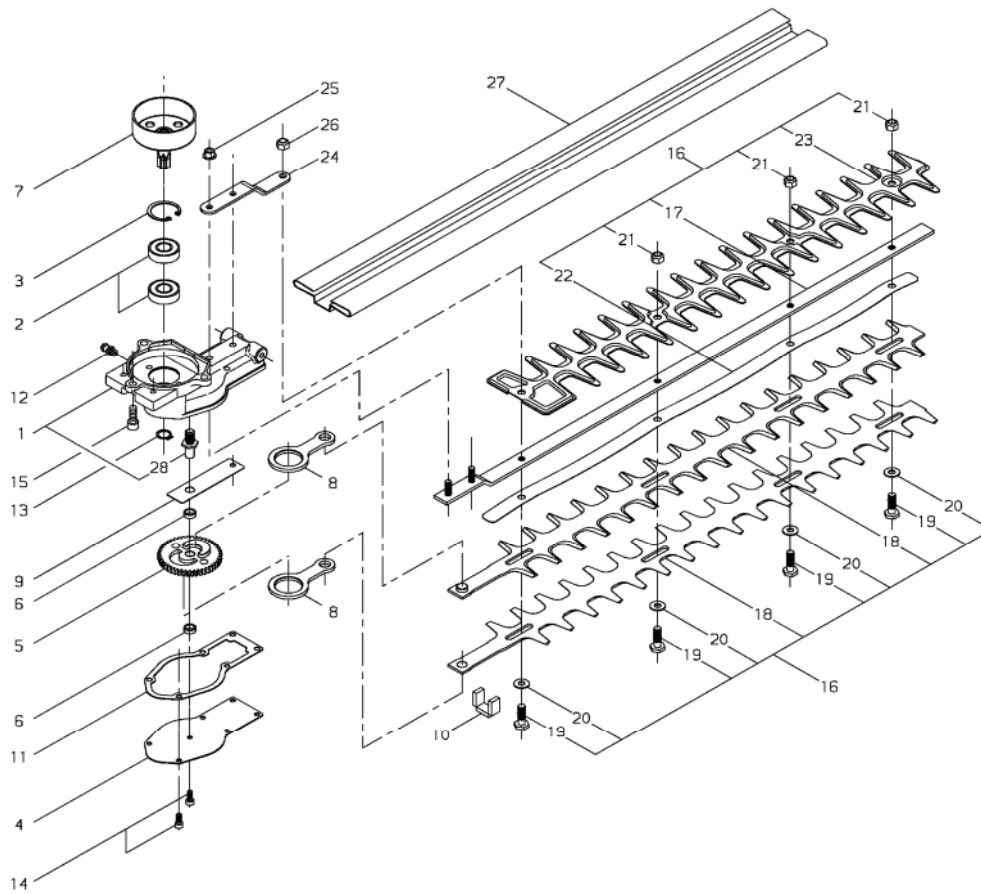
KEY	LV	PART NUMBER	Q'TY	DESCRIPTION	REMARKS	NOTE1	NOTE2
1		68120-81010	1	CABURETOR ASSY			
2	•	20016-81180	1	VALVE ASSY			
3	•	62074-81320	1	PLAG			
4	•	70064-81290	2	SCREW	M3*10		
5	•	70097-81220	1	O-RING			
6	•	70064-81230	1	MAIN JET		#40	
7	•	70097-81310	1	GASKET,PUMP			
8	•	70097-81320	1	DIAPHRAGM			
9	•	20016-81410	1	PUMP BODY COMP			
10	• •	70030-81380	1	SCREEN			
11	• •	22100-81230	1	LEVER, METERING			
12	• •	22100-81250	1	PIN			
13	• •	20016-81270	1	SPRING			
14	• •	20036-81440	1	VALVE			
15	• •	20016-81450	1	SCREW			
16	•	22100-81260	1	DIAPHRAGM ASM			
17	•	20016-81280	1	GASKET			
18	•	20016-81420	1	PUMP BASE COMP			
19	•	20016-81510	1	PUMP COVER			
20	•	20036-81670	1	PRIMER PUMP			
21	•	20016-81140	4	SCREW			
22	•	20016-81250	1	O RING			

3. Ref.3



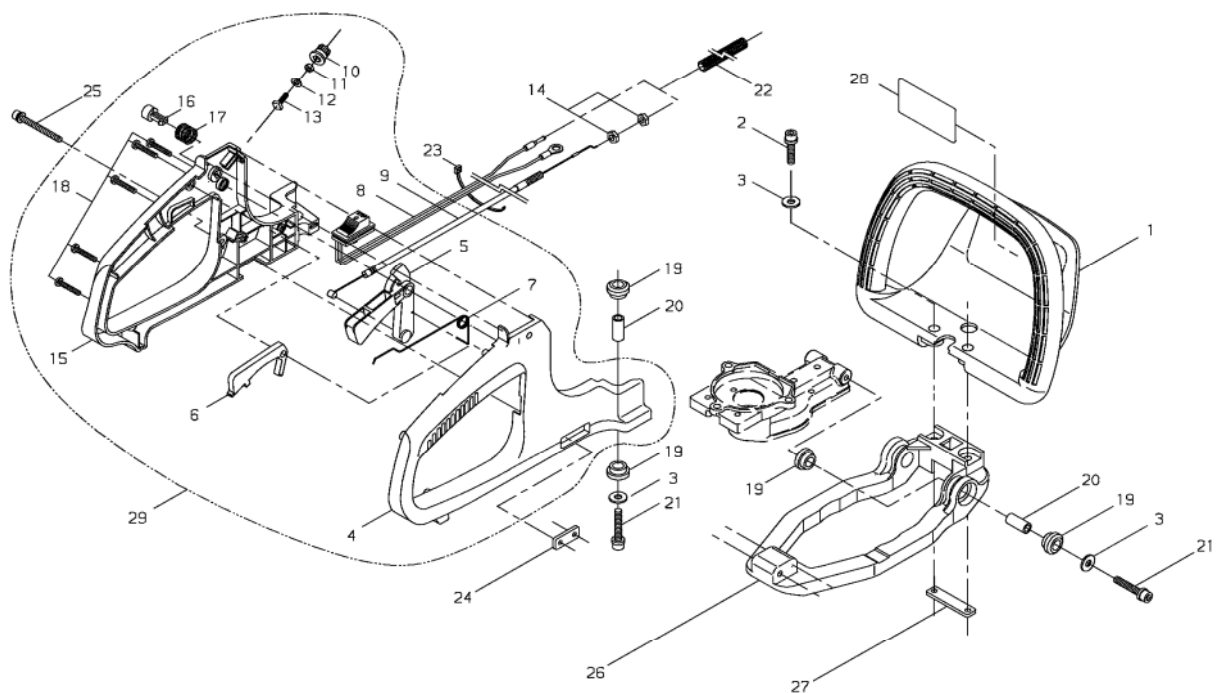
KEY	LV	PART NUMBER	Q'TY	DESCRIPTION	REMARKS	NOTE1	NOTE2
1		68120-61110	1	GEAR CASE			
2		02006-06001	2	BEARING	6001DDU		
3		02432-28120	1	SNAP RING			
4		68120-61120	1	CASE COVER			
5		68120-61130	1	CAM GEAR			
6		15401-10025	2	COLLAR			
7		68120-61160	1	CLUTCH DRUM			
8		68120-61170	2	ROD			
9		68120-61331	1	PLATE			
10		68120-61340	1	PACKING			
11		68120-61351	1	GASKET			
12		20870-61640	1	GREASE NIPPLE			
13		02430-12100	1	SNAP RING			
14		01020-04100	7	BOLT		M4X10	
15		11060-06160	3	BOLT ADHESIVE		M6X16	
16		68122-62010	1	CUTTER ASSY			
17	▪	18501-50000	1	GUIDE BAR			
18	▪	18500-50100	2	BLADE			
19	▪	20870-62110	4	BOLT		M6	
20	▪	20870-62131	4	WASHER			
21	▪	22011-97840	3	LOCK NUT		M6	
22	▪	17540-00001	1	LEAF SPRING			
23	▪	68122-62320	1	PROTECTOR			
24		68120-62331	1	HOLDER			
25		11526-05212	2	FLANGE NUT		M5	
26		22011-97840	1	LOCK NUT		M6	

3. Ref.3



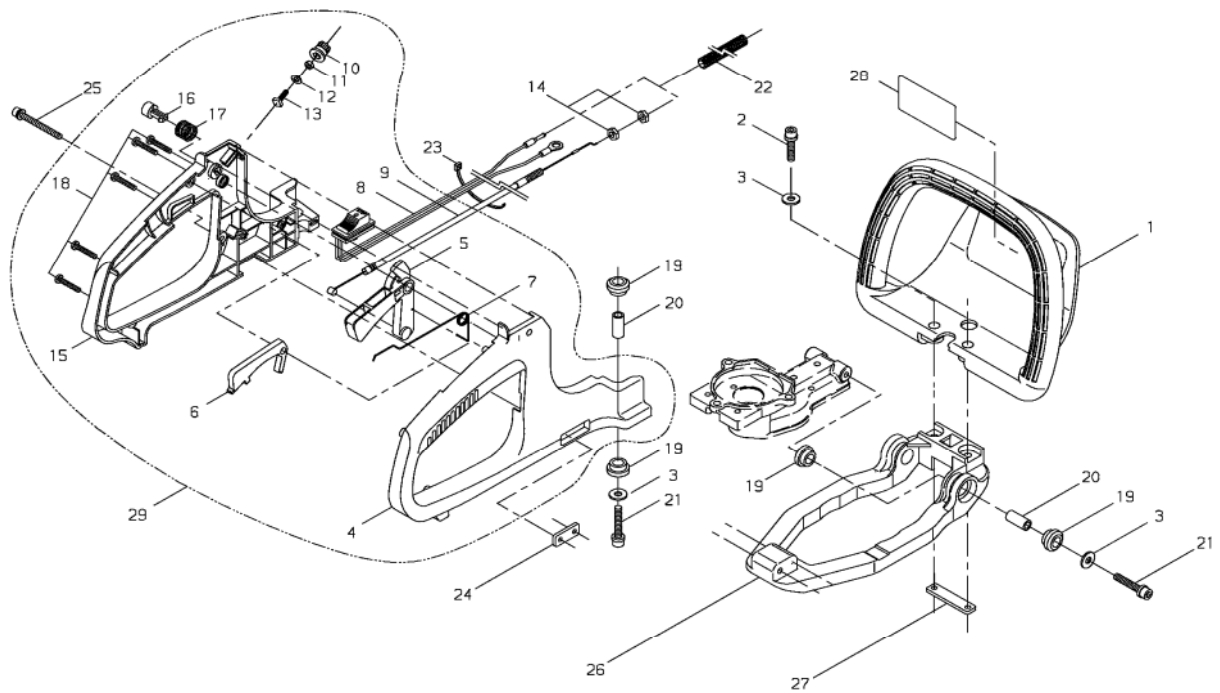
KEY	LV	PART NUMBER	Q'TY	DESCRIPTION	REMARKS	NOTE1	NOTE2
27		19601-01506	1	BLADE COVER			
28	•	68120-61320	1	MAIN SHAFT			

4. Ref.4



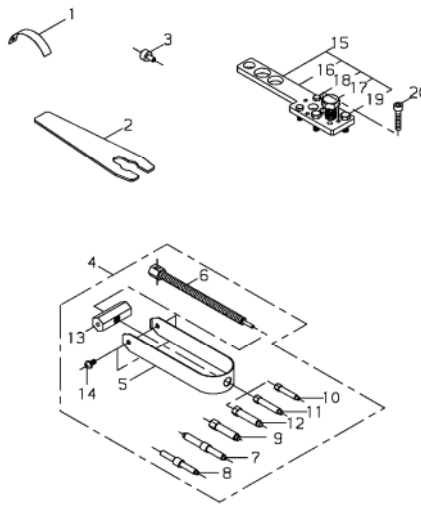
KEY	LV	PART NUMBER	Q'TY	DESCRIPTION	REMARKS	NOTE1	NOTE2
1		68120-64110	1	FRONT HANDLE			
2		11020-06250	2	BOLT SW		M6X25	
3		23510-64210	6	WASHER		φ16xφ6.5 t=1.6	
4	▪	62803-65114	1	RIGHT HANDLE			
5	▪	62803-65312	1	THROTTLE LEVER			
6	▪	62803-65322	1	LOCK LEVER			
7	▪	62803-65350	1	COIL SPRING			
8	▪	62803-65331	1	SWITCH			
9	▪	68120-65320	1	THROTTLE CABLE			
10	▪	20870-65110	1	KNOB			
11	▪	20870-65120	1	NUT			
12	▪	62805-65370	1	WASHER			
13	▪	20870-65150	1	BOLT			
14		01501-06041	2	NUT	M6		
15	▪	62803-65124	1	LEFT HANDLE			
16	▪	70871-65170	1	BUTTON			
17	▪	70871-65180	1	COIL SPRING			
18	▪	62803-65360	5	SCREW TAPPING		φ4x18	
19		68120-65330	8	CUSION			
20		15401-10200	4	COLLAR			
21		11020-06350	4	BOLT SW		M6X35	
22		20019-83140	1	TUBE			
23		15210-12305	1	BAND			
24		68120-65350	1	PLATE			
25		11060-05452	2	BOLT ADHESIVE		M5X45	

4. Ref.4



KEY	LV	PART NUMBER	Q'TY	DESCRIPTION	REMARKS	NOTE1	NOTE2
26		68120-66310	1	STAY			
27		68120-66320	1	PLATE			
28		19402-00148	1	LABEL CAUTION			
29		68122-65013	1	REAR HANDLE ASSY			

5. Ref.5



KEY	LV	PART NUMBER	Q'TY	DESCRIPTION	REMARKS	NOTE1	NOTE2
1		20000-96210	1	AIR GAP GAUGE			
2		20000-96411	1	ROTOR SPANNER			
3		20021-96420	2	STOPPER			
4		20021-96601	1	PULLER ASSY			
5	•	20021-96611	1	PULLER			
6	•	20021-96621	1	BOLT			
7	•	20000-96631	1	GUIDE PIN			
8	•	20035-96630	1	GUIDE PIN			
9	•	20021-96630	1	GUIDE PIN			
10	•	20021-96650	1	PIN ADAPTER			
11	•	20021-96660	1	PIN ADAPTER			
12	•	20021-96670	1	PIN ADAPTER			
13	•	20000-96640	1	BOSS			
14	•	01211-06120	2	SCREW SW			
15		20000-96104	1	PULLER ASSY			
16	•	20000-96114	1	LEVER			
17	•	22100-96121	1	CENTER BOLT		M16	
18	•	20000-96130	3	BOLT			
19	•	20000-96140	2	BOLT			
20		01020-06350	2	BOLT		M6x35	

Index

Patrs Number	Key No.	Patrs Number	Key No.	Patrs Number	Key No.
01020-04100	3 - 14	20011-12260	1 - 6	20870-21301	1 - 16
01020-05250	1 - 20	20011-72120	1 - 32	20870-51211	1 - 48
01020-05400	1 - 11	20016-41330	1 - 39	20870-51220	1 - 49
01020-06350	5 - 20	20016-41340	1 - 40	20870-61640	3 - 12
01211-06120	5 - 14	20016-71651	1 - 59	20870-62110	3 - 19
01501-06041	4 - 14	20016-81140	2 - 21	20870-62131	3 - 20
01610-05080	1 - 12	20016-81180	2 - 2	20870-65110	4 - 10
02006-06001	3 - 2	20016-81250	2 - 22	20870-65120	4 - 11
02403-03100	1 - 62	20016-81270	2 - 13	20870-65150	4 - 13
02430-12100	3 - 13	20016-81280	2 - 17	20870-71100	1 - 51
02432-28120	3 - 3	20016-81410	2 - 9	20870-71110	1 - 52
11020-06250	4 - 2	20016-81420	2 - 18	20870-71120	1 - 53
11020-06350	4 - 21	20016-81450	2 - 15	20870-71130	1 - 54
11022-05250	1 - 3	20016-81510	2 - 19	20870-71222	1 - 56
11022-06160	1 - 33	20016-85400	1 - 80	20870-85121	1 - 79
11024-04261	1 - 61	20018-81721	1 - 72	20870-85132	1 - 81
11060-04163	1 - 34	20019-83140	4 - 22	20870-85160	1 - 88
11060-05202	1 - 30	20020-85540	1 - 83	20870-85210	1 - 91
11060-05452	4 - 25	20021-96420	5 - 3	20870-85310	1 - 87
11060-06160	3 - 15	20021-96601	5 - 4	20870-85320	1 - 90
11203-05658	1 - 76	20021-96611	5 - 5	22000-91181	1 - 94
11526-05212	3 - 25	20021-96621	5 - 6	22011-97840	3 - 21
12492-40080	1 - 19	20021-96630	5 - 9	22011-97840	3 - 26
12900-60010	1 - 14	20021-96650	5 - 10	22100-71430	1 - 47
12900-60010	1 - 17	20021-96660	5 - 11	22100-71430	1 - 50
13000-13406	1 - 65	20021-96670	5 - 12	22100-81230	2 - 11
15210-12305	4 - 23	20035-51111	1 - 43	22100-81250	2 - 12
15401-10025	3 - 6	20035-51221	1 - 44	22100-81260	2 - 16
15401-10200	4 - 20	20035-71220	1 - 63	22100-96121	5 - 17
17540-00001	3 - 22	20035-75170	1 - 26	22102-72220	1 - 57
18500-50100	3 - 18	20035-96630	5 - 8	22150-21250	1 - 15
18501-50000	3 - 17	20036-81440	2 - 14	23510-64210	4 - 3
19402-00148	4 - 28	20036-81670	2 - 20	37013-85310	1 - 96
19404-00008	1 - 73	20087-51231	1 - 46	37019-82340	1 - 71
19404-00033	1 - 92	20087-85340	1 - 82	38121-91020	1 - 93
19601-01506	3 - 27	20140-12210	1 - 4	62074-81320	2 - 3
20000-21211	1 - 18	20140-12221	1 - 5	62800-85021	1 - 86
20000-72230	1 - 58	2014081710	1 - 66	62800-85310	1 - 89
20000-85350	1 - 85	20140-81720	1 - 67	62803-65114	4 - 4
20000-96104	5 - 15	20140-81730	1 - 68	62803-65124	4 - 15
20000-96114	5 - 16	20140-81790	1 - 70	62803-65312	4 - 5
20000-96130	5 - 18	20140-82210	1 - 69	62803-65322	4 - 6
20000-96140	5 - 19	20142-12110	1 - 1	62803-65331	4 - 8
20000-96210	5 - 1	20142-41111	1 - 35	62803-65350	4 - 7
20000-96411	5 - 2	20142-41210	1 - 36	62803-65360	4 - 18
20000-96631	5 - 7	20142-41310	1 - 37	62805-65370	4 - 12
20000-96640	5 - 13	20142-51210	1 - 45	67000-15010	1 - 7
20010-75190	1 - 28	20870-12121	1 - 2	67000-15110	1 - 8
20010-75210	1 - 29	20870-21100	1 - 13	67000-15340	1 - 9

Index

Patrs Number	Key No.	Patrs Number	Key No.	Patrs Number	Key No.
67000-51011	1 - 42				
68120-15210	1 - 10				
68120-31010	1 - 21				
68120-31110	1 - 22				
68120-32110	1 - 31				
68120-42010	1 - 41				
68120-61110	3 - 1				
68120-61120	3 - 4				
68120-61130	3 - 5				
68120-61160	3 - 7				
68120-61170	3 - 8				
68120-61320	3 - 28				
68120-61331	3 - 9				
68120-61340	3 - 10				
68120-61351	3 - 11				
68120-62331	3 - 24				
68120-64110	4 - 1				
68120-65320	4 - 9				
68120-65330	4 - 19				
68120-65350	4 - 24				
68120-66310	4 - 26				
68120-66320	4 - 27				
68120-71021	1 - 55				
68120-71320	1 - 60				
68120-81010	2 - 1				
68120-81310	1 - 75				
68120-82310	1 - 74				
68120-85110	1 - 78				
68120-85330	1 - 84				
68120-98310	1 - 95				
68122-62010	3 - 16				
68122-62320	3 - 23				
68122-65013	4 - 29				
68122-85011	1 - 77				
70030-41320	1 - 38				
70030-75120	1 - 23				
70030-75130	1 - 24				
70030-75140	1 - 25				
70030-75160	1 - 27				
70030-81380	2 - 10				
70064-72111	1 - 64				
70064-81230	2 - 6				
70064-81290	2 - 4				
70097-81220	2 - 5				
70097-81310	2 - 7				
70097-81320	2 - 8				
70871-65170	4 - 16				
70871-65180	4 - 17				

YAMABIKO CORPORATION

7-2 SUEHIROCHO 1-CHOME, OHME, TOKYO 198-8760, JAPAN
PHONE: 81-428-32-6118. FAX: 81-428-32-6145.

shindaiwa[®]

EC1
No.