

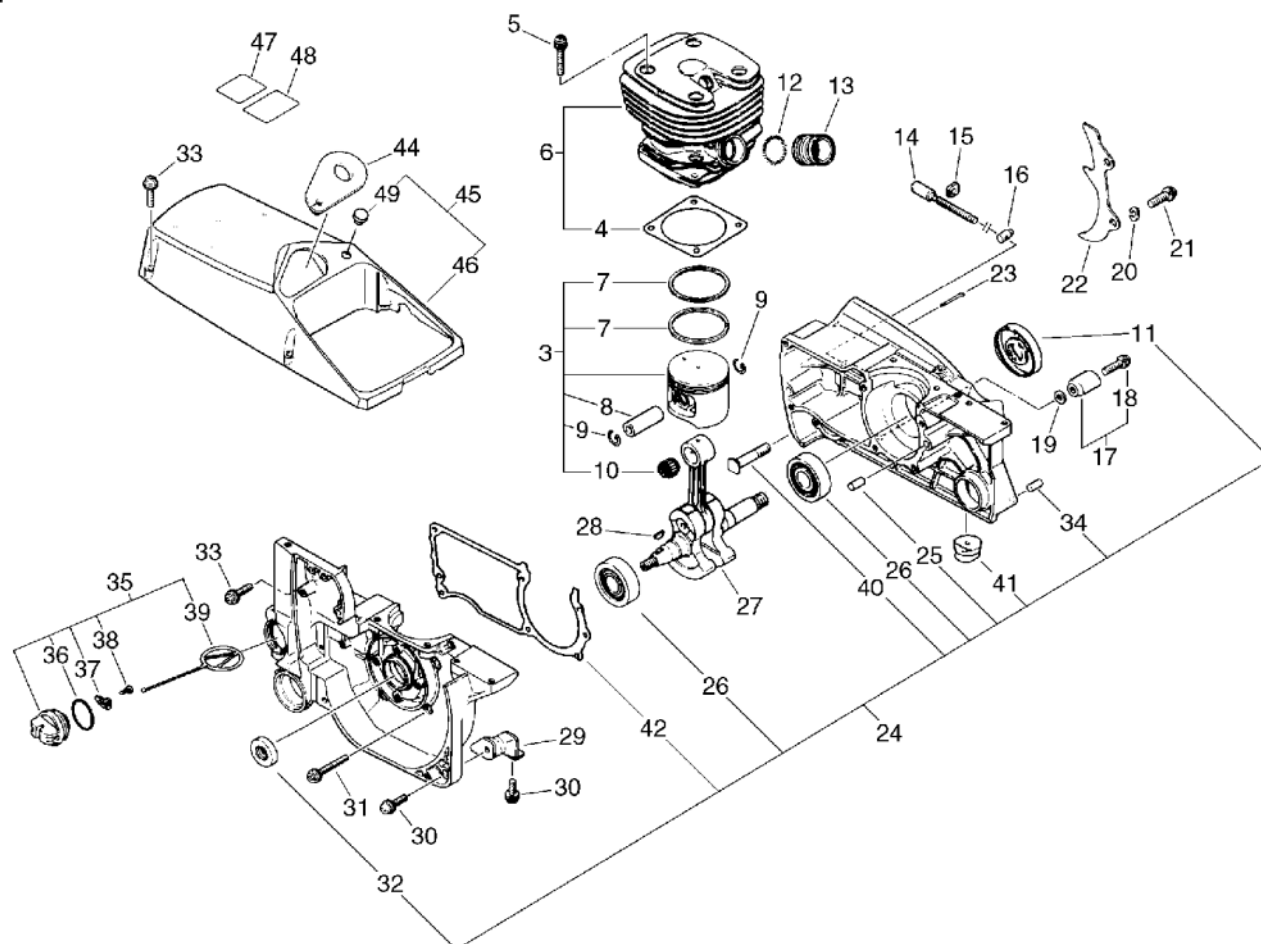


PARTS CATALOGUE

CHAIN SAW CS-8000

1. Cylinder, Crankcase, Piston

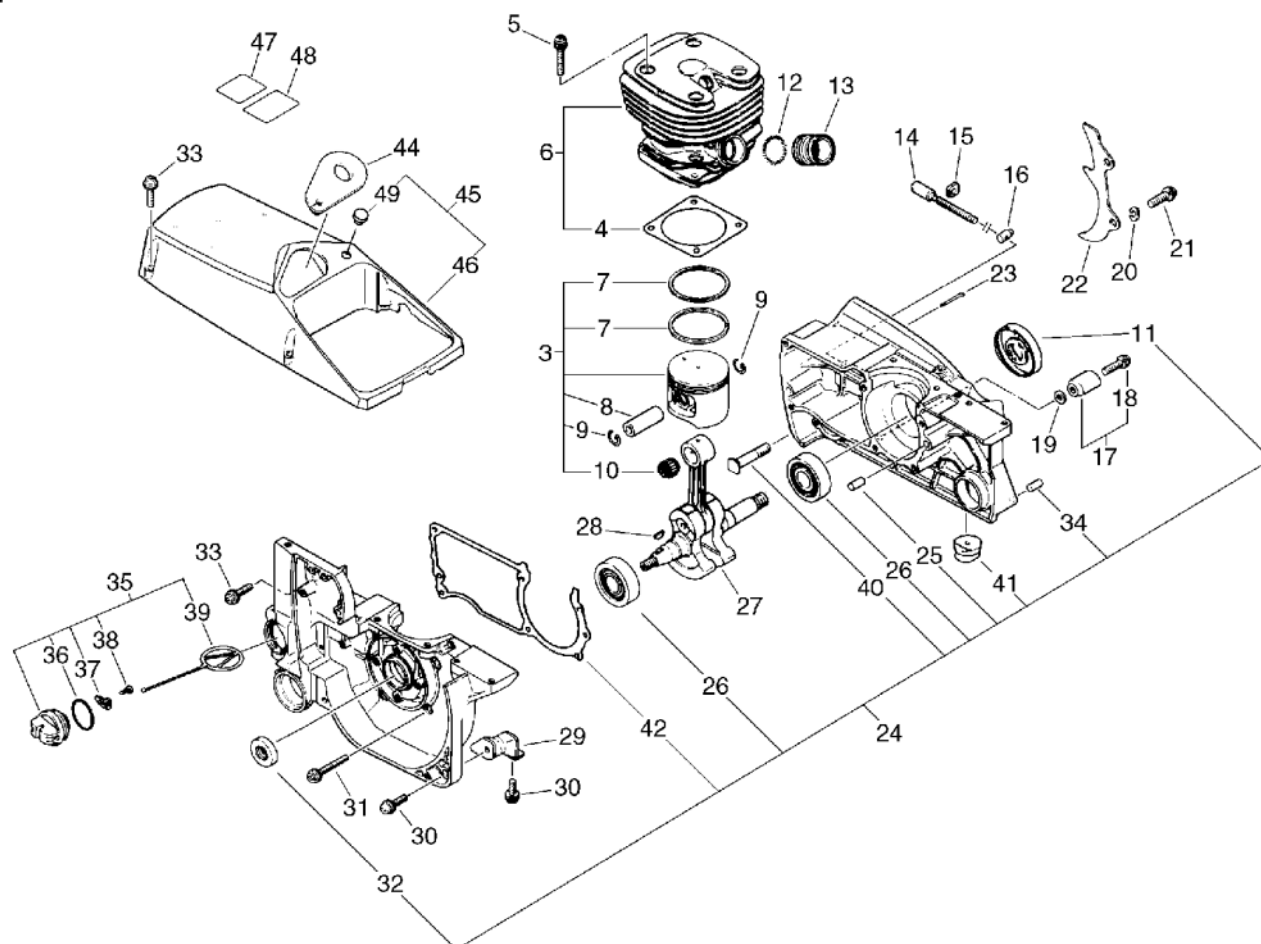
No.1



KEY	LV	PART NUMBER	Q'TY	DESCRIPTION	REMARKS	NOTE1	NOTE2
5		900281-06025	4	SCREW 6*25	6*25	Sus. by 900162-06025	
5		900162-06025	4	BOLT, H.S. 6*25	6*25 W,SW		
6		101001-30832	1	CYLINDER ASSY		Sus. by 101001-30833	
6		101001-30833	1	CYLINDER W/GASKET			
4	+	101010-30830	1	GASKET, CYL. BASE			
3		100000-30830	1	PISTON KIT		Sus. by 100000-30832	
3		100000-30831	1	PISTON KIT		Sus. by 100000-30832	
3		100000-30832	1	PISTON KIT			
7	+	100011-30831	2	RING, PISTON			
8	+	100013-30830	1	PIN, PISTON	8*13*34.8		
9	+	100015-30830	2	CIRCLIP, PISTON PIN			
10	+	100012-30830	1	BEARING, NEEDLE			
12		130516-30830	1	BAND			
13		130510-30830	1	ADAPTER, INTAKE			
14		433016-11031	1	SCREW, TENSIONER			
15		433028-11030	1	CLIP			
16		433014-02830	1	TENSIONER			
17		433000-19831	1	CATCHER KIT, CHAIN			
18	+	900162-05020	1	BOLT, H.S. 5*20	5*20 W,SW		
19		900600-00005	1	WASHER 5	5		
20		900605-00006	2	WASHER, SPRING 6	6		
21		900105-06020	2	BOLT, H.S. 6*20	6*20		

1. Cylinder, Crankcase, Piston

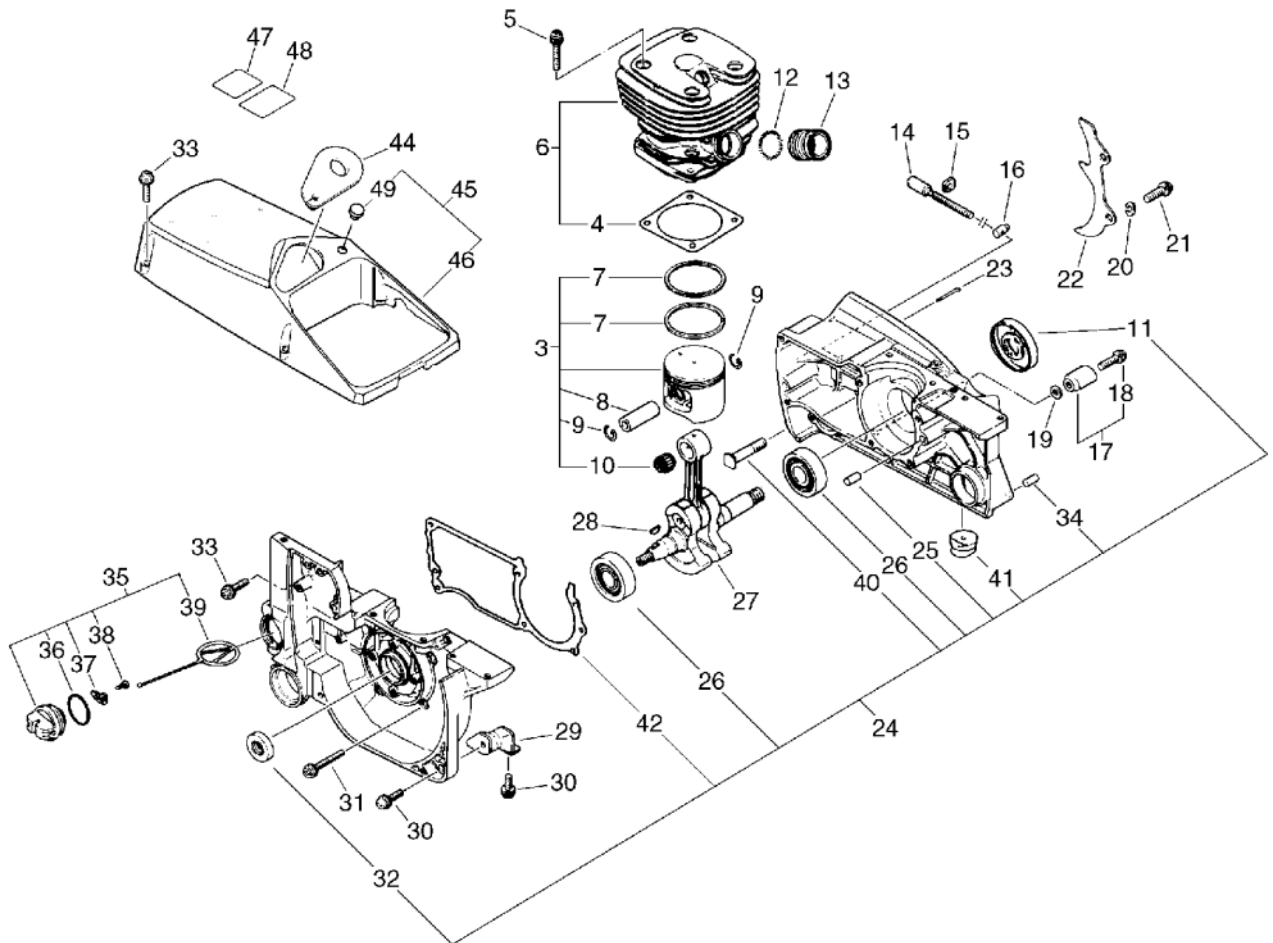
No.1



KEY	LV	PART NUMBER	Q'TY	DESCRIPTION	REMARKS	NOTE1	NOTE2
22		880210-30830	1	BUMPER, SPIKED			
24		100204-30832	1	CRANKCASE KIT			
11	+	100213-30830	1	OILSEAL	25Z-16 39.9 7		
23	+	436114-13930	1	VALVE, CHECK			
25	+	100215-02830	2	PIN, DOWEL			
26	+	900810-36203	2	BEARING, BALL 6203	6203/C3		
32	+	100212-19830	1	OILSEAL	ISM 15*25*6		
34	+	900345-50010	1	PIN, SPRING 5*10SUS	5*10SUS		
40	+	433011-19830	2	STUD, GUIDE BAR			
41	+	100251-19830	1	CUSHION (A)			
42	+	100242-30830	1	GASKET, CRANKCASE			
27		100100-30830	1	CRANKSHAFT ASSY			
28		100142-30830	1	KEY, WOODRUFF			
29		100921-30830	1	CUSHION			
30		900162-05014	2	BOLT, H.S. 5*14	5*14 W,SW		
31		900162-05035	4	BOLT, H.S. 5*35	5*35 W,SW		
33		900162-05020	5	BOLT, H.S. 5*20	5*20 W,SW		
35		436001-19832	1	CAP ASSY, OIL TANK		Sus. by 436001-19833	
35		436001-19833	1	CAP ASSY, OIL TANK			
36	+	900721-00025	1	O-RING 25	G-25		
37	+	131050-19830	1	RETAINER, LINK			
38	+	900249-03008	1	SCREW 3*8	3*8	Sus. by 900246-03008	
38	+	900246-03008	1	SCREW 3*8	3*8		

1. Cylinder, Crankcase, Piston

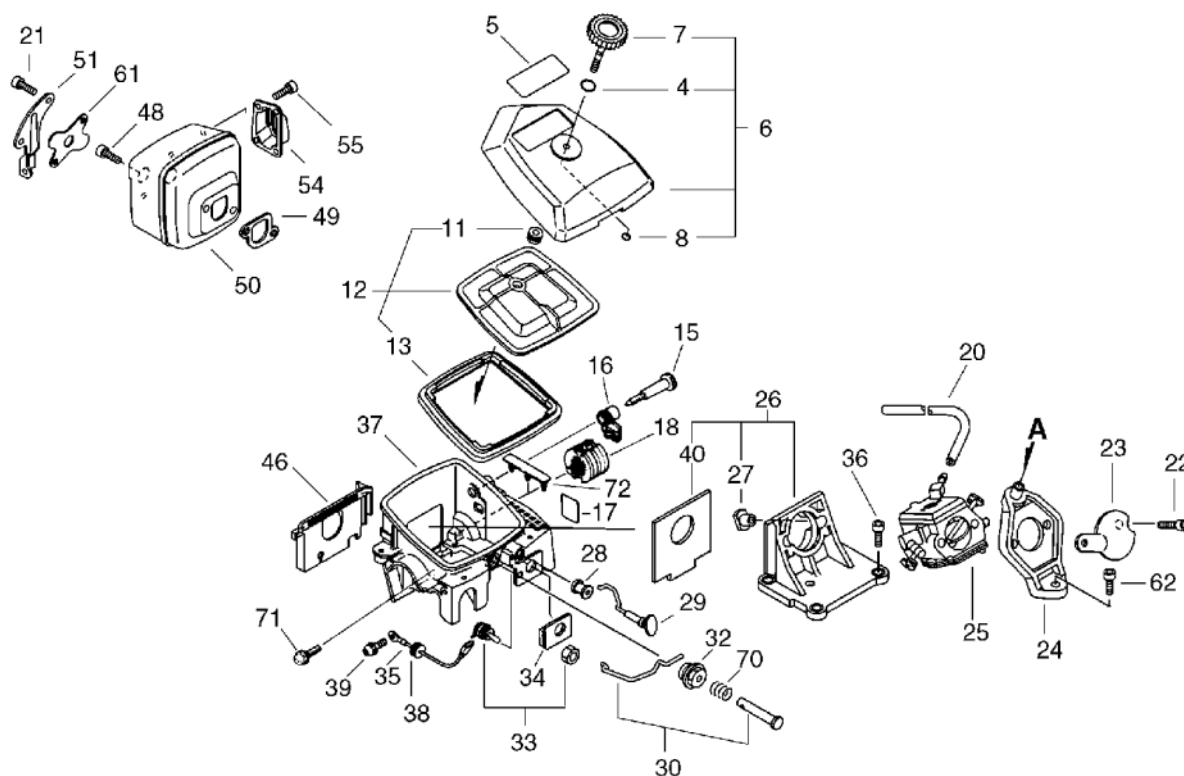
No.1



KEY	LV	PART NUMBER	Q'TY	DESCRIPTION	REMARKS	NOTE1	NOTE2
39	+	131051-19830	1	LINK	60L		
44		101514-30831	1	COVER, CYLINDER			
45		101501-31730	1	COVER, CYLINDER			
46	+	101514-30831	1	COVER, CYLINDER			
49	+	101578-30830	1	PLUG			
47		890623-13930	1	LABEL, NOISE			
48		890162-14930	1	LABEL, CAUTION C.B.			

2. Air Cleaner, Muffler

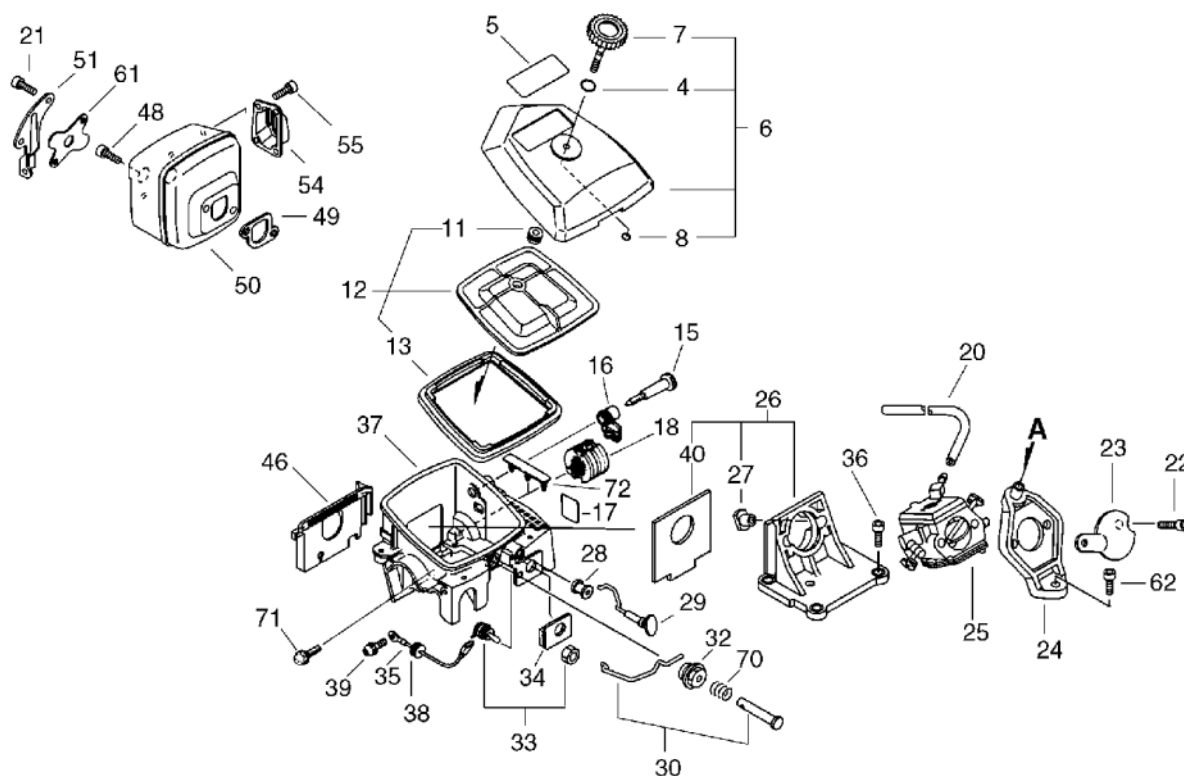
No.2



KEY	LV	PART NUMBER	Q'TY	DESCRIPTION	REMARKS	NOTE1	NOTE2
5		890151-31730	1	LADEL, MODEL			
6		130302-30830	1	COVER SET, AIR CLN			
4	+	900720-00010	1	O-RING P-10	P-10		
7	+	130406-30830	1	NUT, THUMB			
8	+	900720-00003	1	O-RING P-3	P-3		
12		130303-30830	1	FILTER, AIR W/SEAL		Sus. by 130303-30831	
12		130303-30831	1	FILTER, AIR W/SEAL			
11	+	130356-19830	1	GROMMET			
13	+	130320-30831	1	SEAL, CLEANER			
15		129013-30831	1	SCREW, IDLE SPEED			
16		129010-19830	1	GROMMET			
17		890169-30130	1	DECAL			
18		100905-19830	1	CUSHION			
20		130110-30830	1	PIPE, IMPULSE			
21		900162-05014	2	BOLT, H.S. 5*14	5*14 W,SW		
22		900162-05055	2	BOLT, H.S. 5*55	5*55 W,SW		
23		129011-19831	1	PLATE			
24		130405-30830	1	SUPPORTER, FILTER			
25		123000-30832	1	CARBURETOR ASSY	HDA-63		
26		130007-30830	1	INSULATOR			
27	+	130020-19830	2	NUT			
40	+	130012-30830	1	SEAL, DUST			
28		178810-11231	1	GROMMET			
29		178510-30830	1	ROD, CHOKE			
30		178307-30830	1	ROD, THROTTLE			

2. Air Cleaner, Muffler

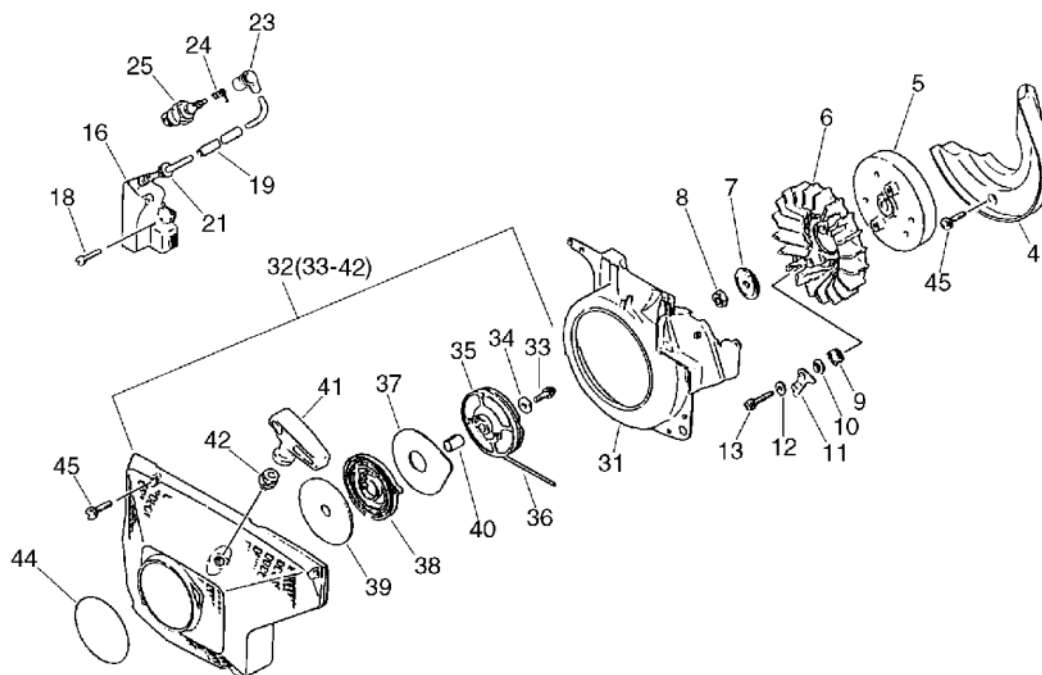
No.2



KEY	LV	PART NUMBER	Q'TY	DESCRIPTION	REMARKS	NOTE1	NOTE2
32		178114-19830	1	HOLDER, THR. LEVER			
33		163400-30830	1	SWITCH, IGNITION			
34		890157-19830	1	LABEL, SWITCH			
35		162021-30830	1	LEAD			
36		900162-05025	4	BOLT, H.S. 5*25	5*25 W,SW		
37		130306-30830	1	CASE, CARBURETOR(BS)			
38		156114-04920	1	GROMMET			
39		900242-04008	1	SCREW	4*8		
46		101529-30830	1	PLATE, GUIDE (A)			
48		900162-06020	2	BOLT, H.S. 6*20	6*20 W,SW		
49		145510-30830	1	GASKET, MUFFLER			
50		145610-30830	1	MUFFLER			
51		145711-30830	1	BRACKET, MUFFLER			
54		145861-30830	1	LID, MUFFLER			
55		900162-04010	4	BOLT, H.S. 4*10	4*10 W,SW		
61		145813-31730	1	COVER, MUFFLER			
62		900162-05020	1	BOLT, H.S. 5*20	5*20 W,SW		
70		178078-19830	1	SPRING			
71		900220-04008	1	SCREW 4*8	4*8		
72		130339-30830	1	PLUG			

3. Starter, Magneto

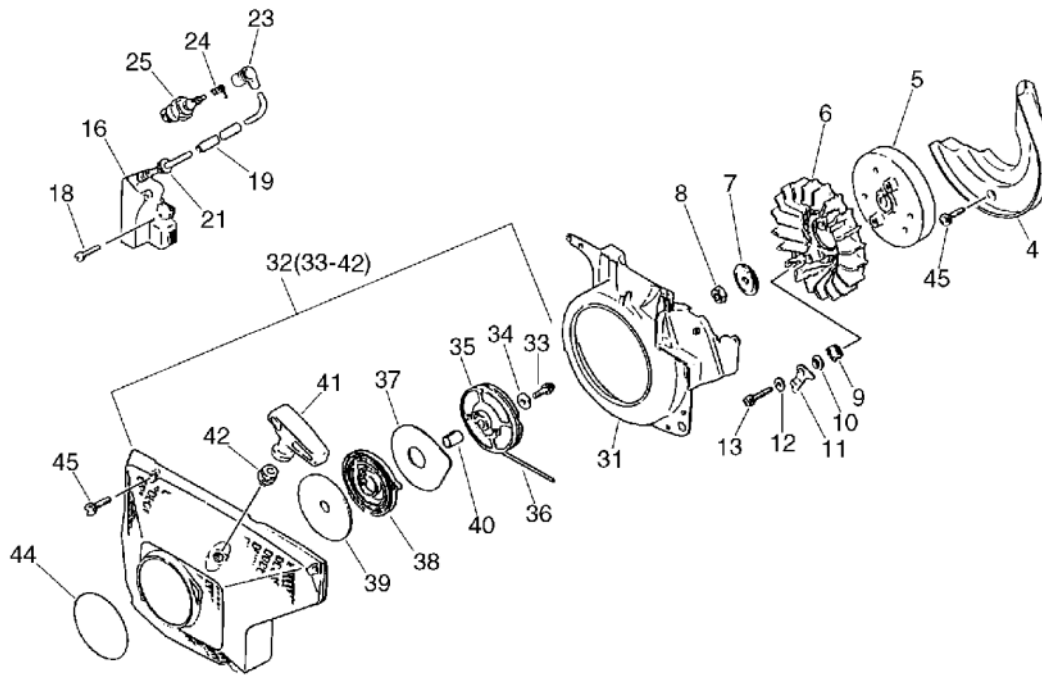
No.3



KEY	LV	PART NUMBER	Q'TY	DESCRIPTION	REMARKS	NOTE1	NOTE2
4		101534-30830	1	PLATE, GUIDE			
5		156800-32631	1	ROTOR, MAGNETO			
6		101521-30831	1	FAN, COOLING		Sus. by 101521-30832	
6		101521-30832	1	FAN, COOLING			
7		100143-19830	1	WASHER	8.2*31*0.8		
8		433019-12330	1	NUT, FLANGE 8	M-8		
9		177234-30830	2	SPRING, RETURN			
10		177247-12331	2	SPACER, RATCHET			
11		177218-30830	2	PAWL, STARTER			
12		900603-00005	2	WASHER 5	5.5*12*0.8		
13		900162-05030	2	BOLT, H.S. 5*30	5*30 W,SW		
16		156601-30831	1	COIL, IGNITION			
18		900162-04020	2	BOLT, H.S. 4*20	4*20 W,SW		
19		150611-30830	1	TUBE	7*8.6*45		
21		152112-05730	1	BUSHING			
23		159012-03433	1	CAP, SPARK PLUG			
24		159011-03432	1	COIL, SPARK PLUG			
25		159017-16431	1	PLUG, SPARK (CJ-6Y)	CJ-6Y		
31		101535-30830	1	COVER, FAN			
32		177200-30831	1	STARTER ASSY			
33	+	900162-05014	1	BOLT, H.S. 5*14	5*14 W,SW		
34	+	177214-02830	1	WASHER	5.2*16*1.0T		
35	+	177206-14330	1	DRUM, STARTER			
36	+	177226-07060	1	ROPE, STARTER	4.0*950		
37	+	177242-30830	1	PLATE, STARTER			

3. Starter, Magneto

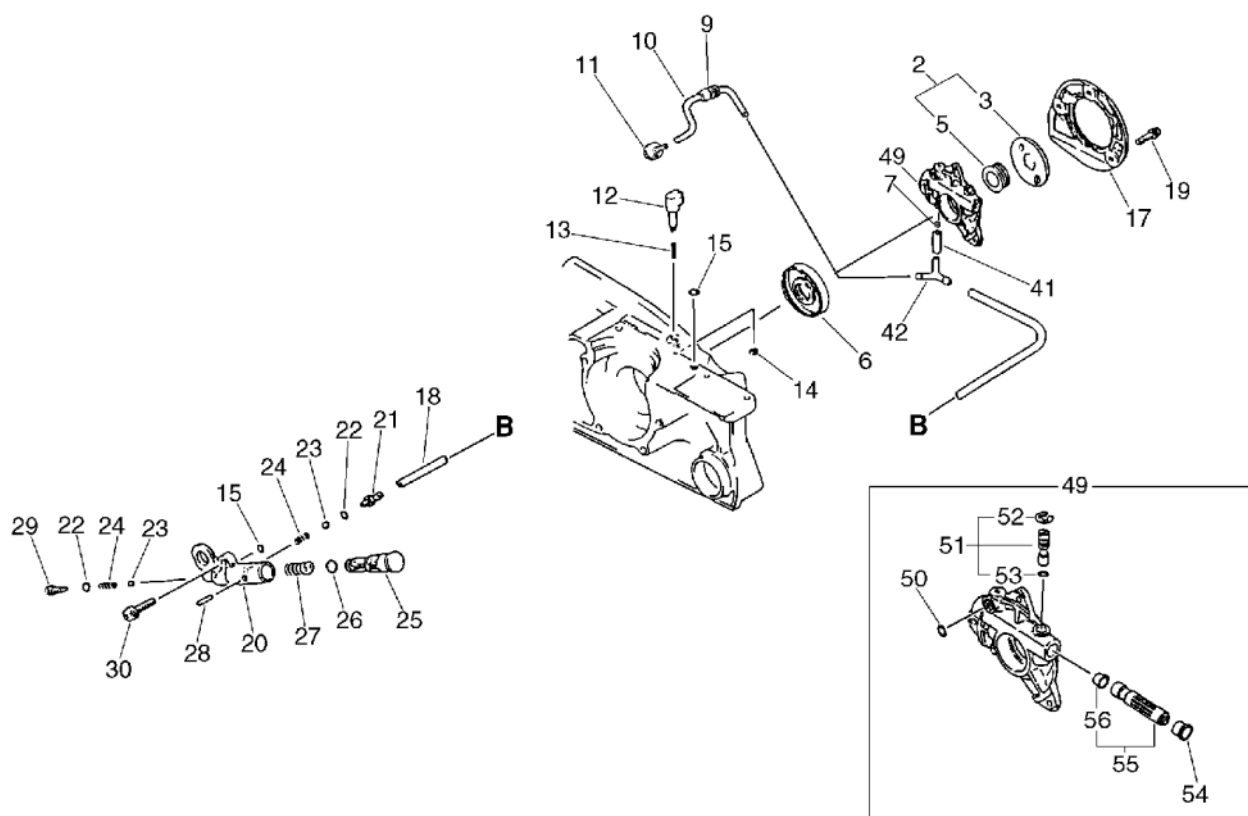
No.3



KEY	LV	PART NUMBER	Q'TY	DESCRIPTION	REMARKS	NOTE1	NOTE2
38	+	177220-02834	1	SPRING, REWIND			
39	+	177221-02830	1	PLATE, STARTER			
40	+	177216-12330	1	COLLAR			
41	+	177228-30830	1	GRIP, STARTER			
42	+	177227-10630	1	GUIDE, ROPE		Sus. by 177227-07060	
42	+	177227-07060	1	GUIDE, ROPE			
44		890112-38130	1	LABEL, ECHO		Sus. by 890118-17930	
44		890118-17930	1	LABEL, ECHO			
45		900162-05020	6	BOLT, H.S. 5*20	5*20 W,SW		

4. Auto-Oiler

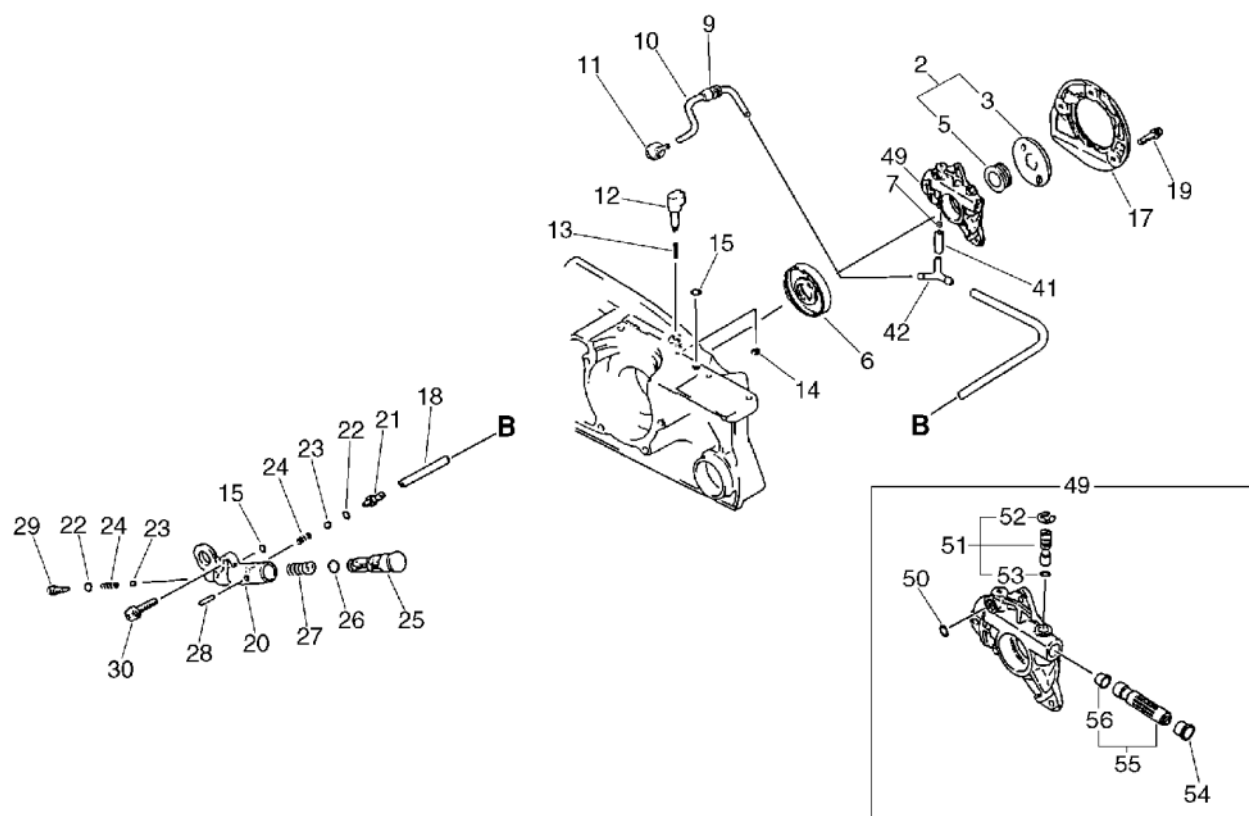
No.4



KEY	LV	PART NUMBER	Q'TY	DESCRIPTION	REMARKS	NOTE1	NOTE2
2		437004-33231	1	WORM ASSY			
3	+	437066-30831	1	WASHER, CIRCULAR			
5	+	437063-33231	1	GEAR, WORM			
6		100213-30830	1	OILSEAL	25Z-16 39.9 7		
7		132013-26630	1	CLIP	6.5MM		
9		132115-12330	1	GROMMET			
10		437210-32430	1	PIPE, OIL (INNER)		Sus. by 437210-38330	
10		437210-38330	1	PIPE, OIL			
11		436205-14730	1	STRAINER, OIL			
12		437039-30830	1	KNOB			
13		437015-19830	1	SPRING			
14		900700-00003	1	E-RING 3	CE-3		
15		900720-00003	2	O-RING P-3	P-3		
17		437605-32430	1	COVER, OIL PUMP			
18		437210-30830	1	PIPE, OIL	NBR 3*6*210L		
19		900162-04014	3	BOLT, H.S. 4*14	4*14 W,SW		
		437100-19831	1	OIL PUMP ASSY		Sus. by 437100-19832	
		437100-19832	1	OILER ASY, MANUAL			
20	+	437110-19831	1	BODY, OIL PUMP			
21	+	437118-19830	1	NIPPLE			
22	+	437122-03430	2	O-RING			
23	+	437012-00330	2	VALVE, BALL			

4. Auto-Oiler

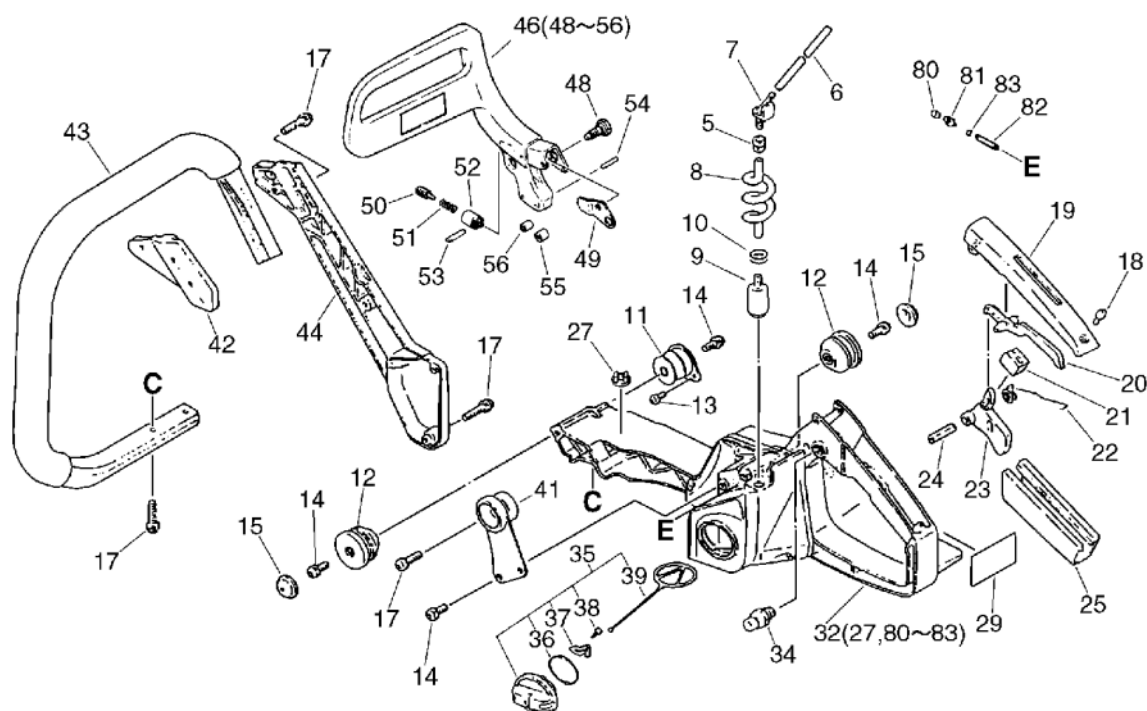
No.4



KEY	LV	PART NUMBER	Q'TY	DESCRIPTION	REMARKS	NOTE1	NOTE2
24	+	437013-00330	2	SPRING, VALVE		Sus. by V450-000290	
24	+	V450-000290	2	SPRING, COMPRESSION			
25	+	437112-19831	1	PISTON, MANUAL			
26	+	900720-00007	1	O-RING 7	P-7		
27	+	437111-19830	1	SPRING			
28	+	900345-20016	1	PIN, SPRING 2*16SUS	2*16SUS		
29	+	437121-10130	1	ADAPTER, OIL PUMP			
30		900162-05020	1	BOLT, H.S. 5*20	5*20 W,SW		
41		437211-32430	1	PIPE			
42		437212-32430	1	CONNECTOR, OIL PIPE			
49		437002-37530	1	AUTO-OILER ASSY			
50	+	900720-00003	1	O-RING P-3	P-3		
51	+	437009-35430	1	PIN, CONTROL			
52	++	437065-19830	1	CLIP			
53	++	437030-19830	1	O-RING			
54	+	437062-19830	1	CAP, PLUNGER			
55	+	437006-32330	1	PLUNGER KIT			
56	++	437020-32430	1	V-RING			

5. Handle

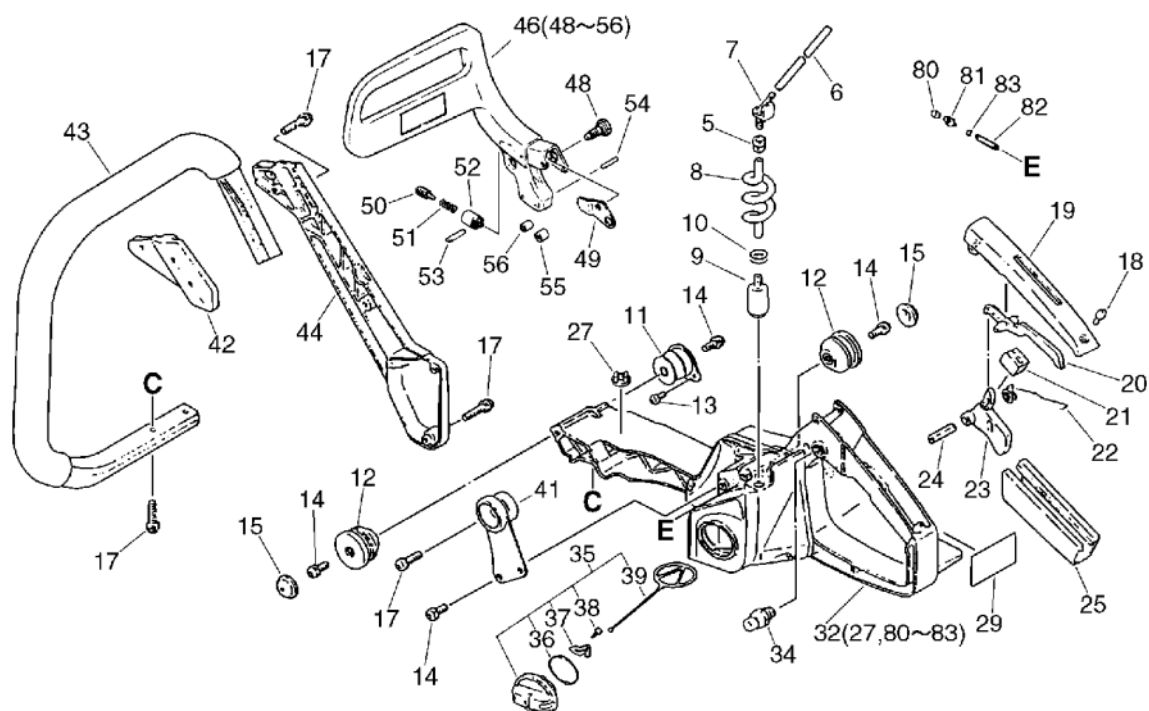
No.5



KEY	LV	PART NUMBER	Q'TY	DESCRIPTION	REMARKS	NOTE1	NOTE2
5		132115-01461	1	GROMMET			
6		132012-02960	1	PIPE, FUEL	3*6*120L		
7		132011-19830	1	CONNECTOR, FUEL PIPE			
8		132010-30830	1	PIPE			
9		131205-19830	1	STRAINER, FUEL			
11		100922-30830	1	CUSHION			
12		100910-30830	2	CUSHION			
13		900162-04010	2	BOLT, H.S. 4*10	4*10 W,SW		
14		900162-05014	5	BOLT, H.S. 5*14	5*14 W,SW		
15		100918-19830	2	CAP, CUSHION			
17		900162-05020	9	BOLT, H.S. 5*20	5*20 W,SW		
18		900162-04014	1	BOLT, H.S. 4*14	4*14 W,SW		
19		351155-30131	1	COVER, HANDLE			
20		178090-30130	1	LOCKOUT, T. CONTROL			
21		178073-32430	1	CUSHION, THROTTLE			
22		178043-19830	1	SPRING, THR. RETURN			
23		178010-19830	1	CONTROL, THROTTLE			
24		900342-50025	1	PIN, SPRING 5*25	5*25		
25		351111-19830	1	GRIP, HANDLE			
29		890155-30130	1	LABEL, CAUTION			
32		351103-30832	1	HANDLE,W/FUEL TANK			
27	+	100252-30830	1	CUSHION			
80	+	131300-56430	1	VALVE, CHECK			
81	+	131328-40630	1	COVER, VENT			
82	+	437210-31730	1	PIPE 3* 5* 55			
83	+	130111-00530	1	CLIP	5.5		

5. Handle

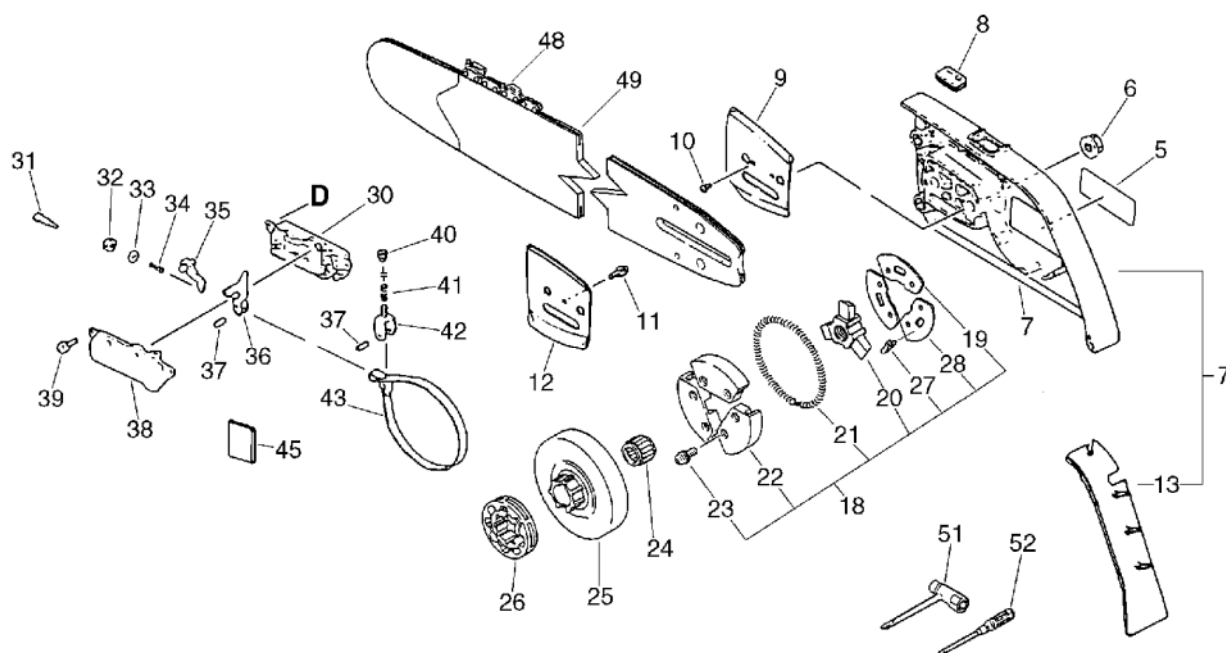
No.5



KEY	LV	PART NUMBER	Q'TY	DESCRIPTION	REMARKS	NOTE1	NOTE2
34		178302-12330	1	LATCH, THROTTLE			
35		131004-19831	1	CAP ASSY, FUEL TANK			
36	+	900720-20029	1	O-RING 29	P-29		
37	+	131050-19830	1	RETAINER, LINK			
38	+	900246-03008	1	SCREW 3*8	3*8		
39	+	131051-19830	1	LINK	60L		
41		100917-30830	1	CUSHION			
42		351614-30830	1	BRACKET, F.HNDL.(BS)		Sus. by 351614-30831	
42		351614-30831	1	BRACKET, F. HANDLE			
43		351606-30830	1	HANDLE, FRONT			
44		351613-30830	1	SUPPORTER,F.HNDL(BS)		Sus. by 351613-30831	
44		351613-30831	1	BRACKET, HANDLE			
46		433201-30830	1	LEVER ASSY, BRAKE			
48	+	351344-19830	1	SCREW			
49	+	433163-19930	1	STOPPER			
50	+	433164-19930	1	BOLT			
51	+	433165-19930	1	SPRING			
52	+	433166-19930	1	SPACER			
53	+	900330-20200	1	PIN 2*20	2*19.8		
54	+	900330-30180	3	PIN 3*18	3*17.8		
55	+	433167-19931	1	SPACER			
56	+	433168-19930	1	SPACER (B)			

6. Clutch, Sprocket, Chain Brake Asy, Tools

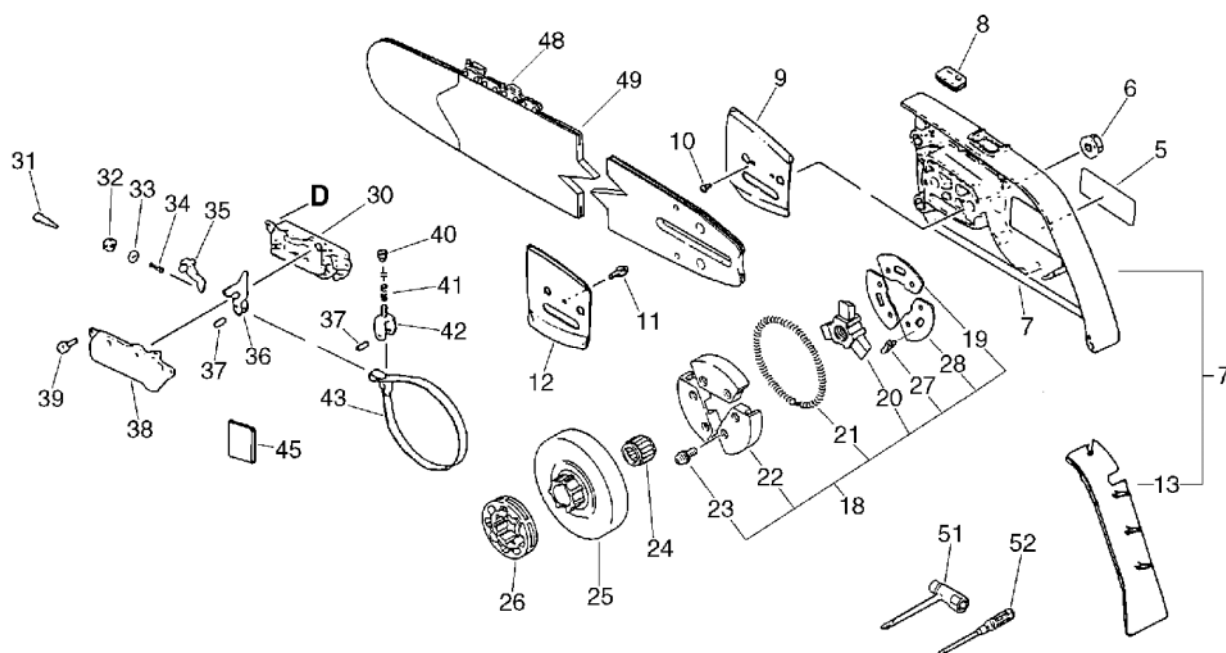
No.6



KEY	LV	PART NUMBER	Q'TY	DESCRIPTION	REMARKS	NOTE1	NOTE2
5		890118-38130	1	LABEL, ECHO			
6		433019-12330	2	NUT, FLANGE 8	M-8		
7		433002-30830	1	GUARD, SPROCKET (BS)		Sus. by 433002-30832	
7		433002-30831	1	GUARD KIT, SPRPOKET		Sus. by 433002-30832	
7		433002-30832	1	GUARD KIT, SPRPOKET			
13	+	433025-30830	1	PAD			
8		433312-19930	1	COVER, SEAL			
9		433012-30830	1	PLATE, GUIDE (OUTER)			
10		900241-03006	2	SCREW 3*6	3*6		
11		900241-04008	1	SCREW 4*8	4*8		
12		433013-30830	1	PLATE, GUIDE (INNER)			
18		175000-30831	1	CLUTCH ASSY		Sus. by 175000-30832	
18		175000-30832	1	CLUTCH ASSEMBLY			
19	+	175019-30830	2	PLATE, CLUTCH			
20	+	175016-30830	1	HUB, CLUTCH			
21	+	175018-30830	1	SPRING, CLUTCH			
22	+	175002-30830	1	SHOE, CLUTCH		Sus. by 175002-30831	
22	+	175002-30831	1	SHOE, CLUTCH			
23	+	900105-04008	6	BOLT, H.S. 4*8	4*8		
27	+	175059-30830	1	PLATE, SPRING			
28	+	175029-30830	1	PLATE, CLUTCH			

6. Clutch, Sprocket, Chain Brake Asy, Tools

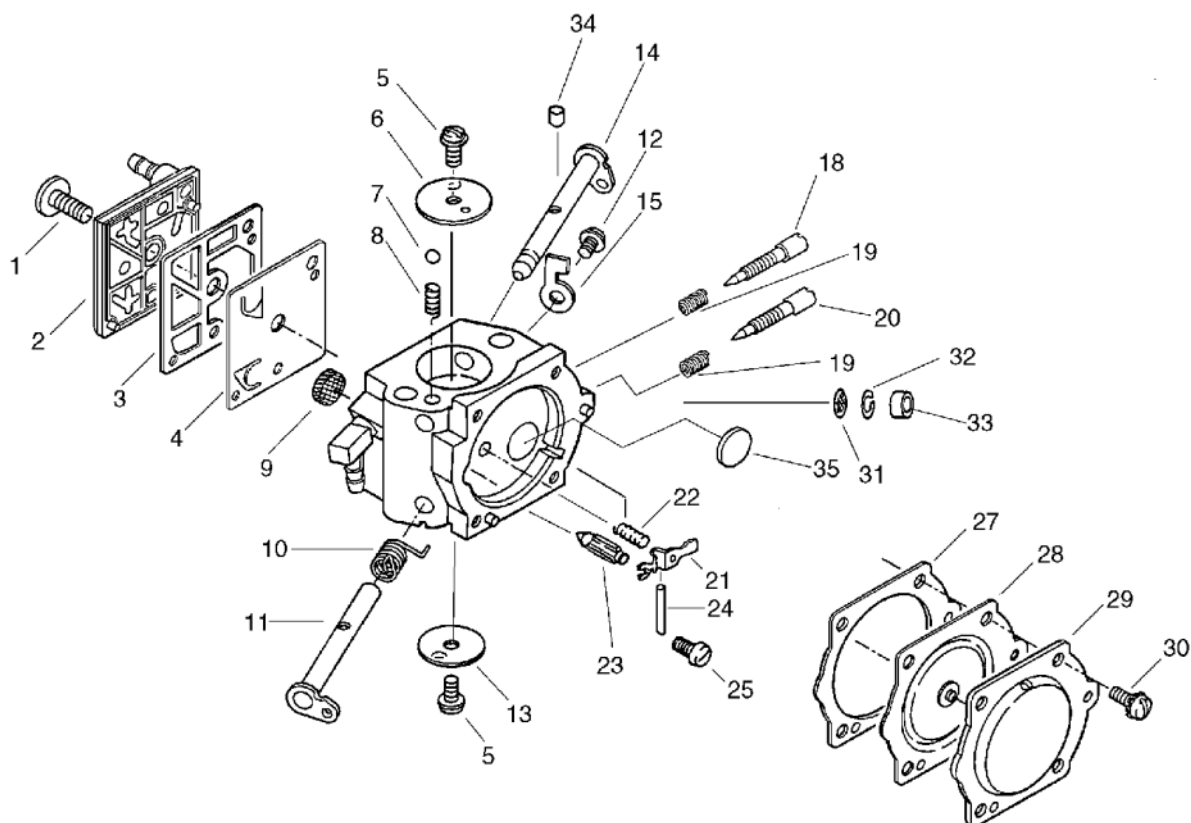
No.6



KEY	LV	PART NUMBER	Q'TY	DESCRIPTION	REMARKS	NOTE1	NOTE2
24		175012-30830	1	BEARING, NEEDLE		Sus. by 175012-30831	
24		175012-30831	1	BEARING, NEEDLE			
25		175105-30830	1	DRUM, CLUTCH			
26		175033-14731	1	SPROCKET, RIM 68210S			
		433202-30830	1	BRAKE KIT, CHAIN			
30	+	433306-19930	1	COVER, BRAKE			
31	+	433133-19930	1	BOLT			
32	+	900502-00005	1	NUT 5 (3N)	3N5		
33	+	433162-19930	1	WASHER			
34	+	433122-19930	1	SPRING, BRAKE			
35	+	433209-19930	1	STOPPER			
36	+	433208-19930	1	LEVER, BRAKE			
37	+	900345-40010	2	PIN, SPRING 4*10SUS	4*10SUS		
38	+	433310-19931	1	COVER, BRAKE			
39	+	900162-04010	2	BOLT, H.S. 4*10	4*10 W,SW		
40	+	433169-19931	1	NUT, ADJUSTING			
41	+	433161-19930	1	SPRING			
42	+	433142-19931	1	ADJUSTER, BRAKE			
43	+	433123-30830	1	BAND, BRAKE			
45	+	433313-19930	1	SEAL, DUST			
48		431013-30830	1	CHAIN, SAW 73LG-84E	73LG-84E 60C		
49		430213-30831	1	BAR, GUIDE 60RS58-3/8	60RS58-3/8E		
51		895410-02830	1	WRENCH, W/S. DRIVER			
52		895812-03930	1	DRIVER, SCREW 50			

7. Carburetor

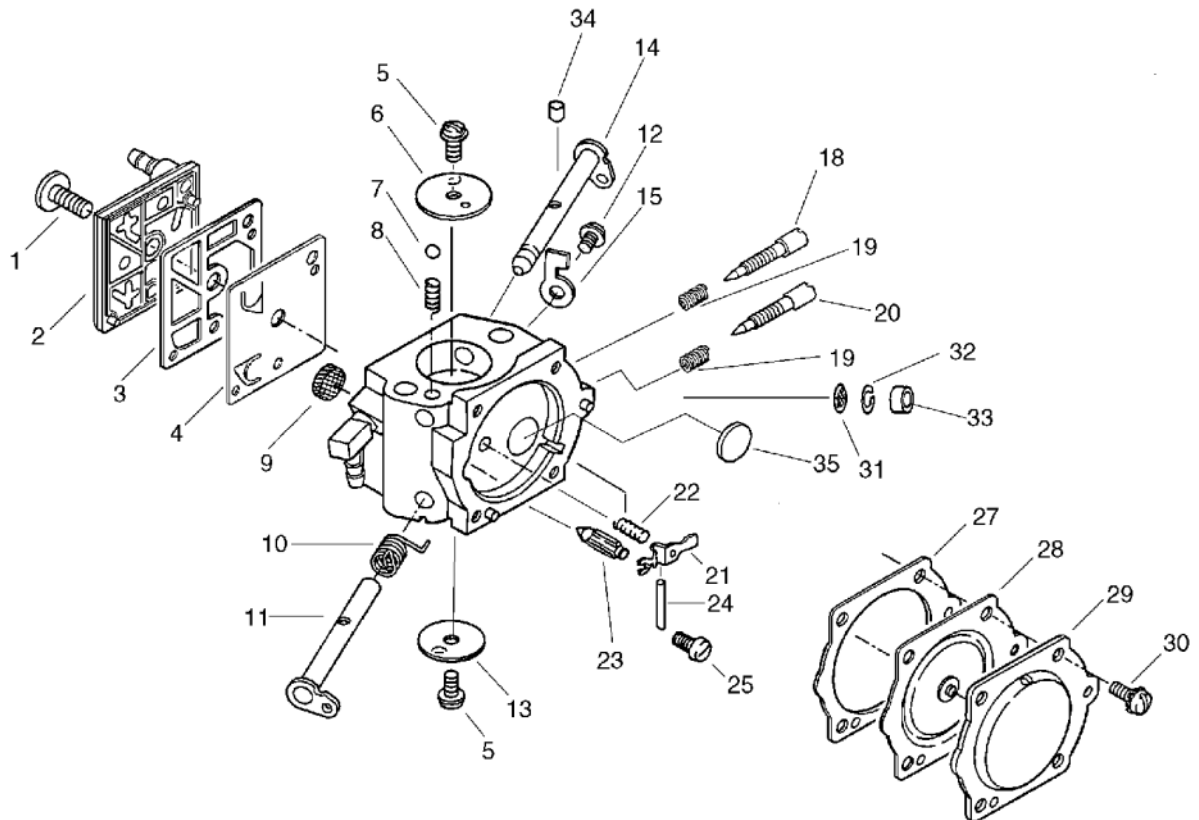
No.7



KEY	LV	PART NUMBER	Q'TY	DESCRIPTION	REMARKS	NOTE1	NOTE2
		123000-30832	1	CARBURETOR ASSY	HDA-63		
1	+	123110-16130	1	SCREW, PUMP COVER			
2	+	123124-19830	1	COVER, FUEL PUMP			
3	+	123125-12330	1	GASKET, FUEL PUMP			
4	+	123112-12330	1	DIAPHRAGM, FUEL PUMP			
5	+	123114-38830	2	SCREW			
6	+	123132-17330	1	VALVE, CHOKE			
7	+	123136-10630	1	BALL, CHOKE FRICTION			
8	+	123135-10630	1	SPRING, CHOKE FRICT.			
9	+	123126-10631	1	SCREEN, INLET			
10	+	123113-16130	1	SPRING, THRT. RETURN			
11	+	123117-32430	1	SHAFT, THROTTLE			
12	+	123114-03930	1	SCREW		Sus. by 123114-38830	
12	+	123114-38830	1	SCREW			
13	+	123116-16130	1	VALVE, THROTTLE			
14	+	123131-19830	1	SHAFT, CHOKE			
15	+	123156-12330	1	STOP, THROTTLE			
18	+	123120-30830	1	NEEDLE, HIGH SPEED			
19	+	123121-16130	2	SPRING, NEEDLE			
20	+	123118-30830	1	NEEDLE, IDLE			
21	+	123123-18330	1	LEVER, METERING			
22	+	123122-16130	1	SPRING, METER. LEVER			
23	+	123137-19830	1	VALVE, INLET NEEDLE			
24	+	123138-03930	1	PIN, METERING LEVER			
25	+	123139-03930	1	SCREW, M. LEVER PIN			

7. Carburetor

No.7



KEY	LV	PART NUMBER	Q'TY	DESCRIPTION	REMARKS	NOTE1	NOTE2
27	+	123140-16131	1	GASKET, M. DIAPHRAGM			
28	+	123141-16131	1	DIAPHRAGM, METERING			
29	+	123142-17330	1	COVER, M. DIAPHRAGM			
30	+	123130-02960	4	SCREW			
31	+	123168-10631	1	SCREEN			
32	+	123169-10630	1	RING, RETAINING			
33	+	123146-17330	1	PLUG, CUP			
34	+	123178-15030	1	PLUG, FRICTION			
35	+	123146-10631	1	PLUG, WELCH			

Index

Patrs Number	Key No.	Patrs Number	Key No.	Patrs Number	Key No.
100000-30830	1 - 3	123122-16130	7 - 22	132010-30830	5 - 8
100000-30831	1 - 3	123123-18330	7 - 21	132011-19830	5 - 7
100000-30832	1 - 3	123124-19830	7 - 2	132012-02960	5 - 6
100011-30831	1 - 7	123125-12330	7 - 3	132013-26630	4 - 7
100012-30830	1 - 10	123126-10631	7 - 9	132115-01461	5 - 5
100013-30830	1 - 8	123130-02960	7 - 30	132115-12330	4 - 9
100015-30830	1 - 9	123131-19830	7 - 14	145510-30830	2 - 49
100100-30830	1 - 27	123132-17330	7 - 6	145610-30830	2 - 50
100142-30830	1 - 28	123135-10630	7 - 8	145711-30830	2 - 51
100143-19830	3 - 7	123136-10630	7 - 7	145813-31730	2 - 61
100204-30832	1 - 24	123137-19830	7 - 23	145861-30830	2 - 54
100212-19830	1 - 32	123138-03930	7 - 24	150611-30830	3 - 19
100213-30830	1 - 11	123139-03930	7 - 25	152112-05730	3 - 21
100213-30830	4 - 6	123140-16131	7 - 27	156114-04920	2 - 38
100215-02830	1 - 25	123141-16131	7 - 28	156601-30831	3 - 16
100242-30830	1 - 42	123142-17330	7 - 29	156800-32631	3 - 5
100251-19830	1 - 41	123146-10631	7 - 35	159011-03432	3 - 24
100252-30830	5 - 27	123146-17330	7 - 33	159012-03433	3 - 23
100905-19830	2 - 18	123156-12330	7 - 15	159017-16431	3 - 25
100910-30830	5 - 12	123168-10631	7 - 31	162021-30830	2 - 35
100917-30830	5 - 41	123169-10630	7 - 32	163400-30830	2 - 33
100918-19830	5 - 15	123178-15030	7 - 34	175000-30831	6 - 18
100921-30830	1 - 29	129010-19830	2 - 16	175000-30832	6 - 18
100922-30830	5 - 11	129011-19831	2 - 23	175002-30830	6 - 22
101001-30832	1 - 6	129013-30831	2 - 15	175002-30831	6 - 22
101001-30833	1 - 6	130007-30830	2 - 26	175012-30830	6 - 24
101010-30830	1 - 4	130012-30830	2 - 40	175012-30831	6 - 24
101501-31730	1 - 45	130020-19830	2 - 27	175016-30830	6 - 20
101514-30831	1 - 44	130110-30830	2 - 20	175018-30830	6 - 21
101514-30831	1 - 46	130111-00530	5 - 83	175019-30830	6 - 19
101521-30831	3 - 6	130302-30830	2 - 6	175029-30830	6 - 28
101521-30832	3 - 6	130303-30830	2 - 12	175033-14731	6 - 26
101529-30830	2 - 46	130303-30831	2 - 12	175059-30830	6 - 27
101534-30830	3 - 4	130306-30830	2 - 37	175105-30830	6 - 25
101535-30830	3 - 31	130320-30831	2 - 13	177200-30831	3 - 32
101578-30830	1 - 49	130339-30830	2 - 72	177206-14330	3 - 35
123000-30832	2 - 25	130356-19830	2 - 11	177214-02830	3 - 34
123000-30832	7 -	130405-30830	2 - 24	177216-12330	3 - 40
123110-16130	7 - 1	130406-30830	2 - 7	177218-30830	3 - 11
123112-12330	7 - 4	130510-30830	1 - 13	177220-02834	3 - 38
123113-16130	7 - 10	130516-30830	1 - 12	177221-02830	3 - 39
123114-03930	7 - 12	131004-19831	5 - 35	177226-07060	3 - 36
123114-38830	7 - 5	131050-19830	1 - 37	177227-07060	3 - 42
123114-38830	7 - 12	131050-19830	5 - 37	177227-10630	3 - 42
123116-16130	7 - 13	131051-19830	1 - 39	177228-30830	3 - 41
123117-32430	7 - 11	131051-19830	5 - 39	177234-30830	3 - 9
123118-30830	7 - 20	131205-19830	5 - 9	177242-30830	3 - 37
123120-30830	7 - 18	131300-56430	5 - 80	177247-12331	3 - 10
123121-16130	7 - 19	131328-40630	5 - 81	178010-19830	5 - 23

Index

Patrs Number	Key No.	Patrs Number	Key No.	Patrs Number	Key No.
178043-19830	5 - 22	433209-19930	6 - 35	895812-03930	6 - 52
178073-32430	5 - 21	433306-19930	6 - 30	900105-04008	6 - 23
178078-19830	2 - 70	433310-19931	6 - 38	900105-06020	1 - 21
178090-30130	5 - 20	433312-19930	6 - 8	900162-04010	2 - 55
178114-19830	2 - 32	433313-19930	6 - 45	900162-04010	5 - 13
178302-12330	5 - 34	436001-19832	1 - 35	900162-04010	6 - 39
178307-30830	2 - 30	436001-19833	1 - 35	900162-04014	4 - 19
178510-30830	2 - 29	436114-13930	1 - 23	900162-04014	5 - 18
178810-11231	2 - 28	436205-14730	4 - 11	900162-04020	3 - 18
351103-30832	5 - 32	437002-37530	4 - 49	900162-05014	1 - 30
351111-19830	5 - 25	437004-33231	4 - 2	900162-05014	2 - 21
351155-30131	5 - 19	437006-32330	4 - 55	900162-05014	3 - 33
351344-19830	5 - 48	437009-35430	4 - 51	900162-05014	5 - 14
351606-30830	5 - 43	437012-00330	4 - 23	900162-05020	1 - 18
351613-30830	5 - 44	437013-00330	4 - 24	900162-05020	1 - 33
351613-30831	5 - 44	437015-19830	4 - 13	900162-05020	2 - 62
351614-30830	5 - 42	437020-32430	4 - 56	900162-05020	3 - 45
351614-30831	5 - 42	437030-19830	4 - 53	900162-05020	4 - 30
430213-30831	6 - 49	437039-30830	4 - 12	900162-05020	5 - 17
431013-30830	6 - 48	437062-19830	4 - 54	900162-05025	2 - 36
433000-19831	1 - 17	437063-33231	4 - 5	900162-05030	3 - 13
433002-30830	6 - 7	437065-19830	4 - 52	900162-05035	1 - 31
433002-30831	6 - 7	437066-30831	4 - 3	900162-05055	2 - 22
433002-30832	6 - 7	437100-19831	4 -	900162-06020	2 - 48
433011-19830	1 - 40	437100-19832	4 -	900162-06025	1 - 5
433012-30830	6 - 9	437110-19831	4 - 20	900220-04008	2 - 71
433013-30830	6 - 12	437111-19830	4 - 27	900241-03006	6 - 10
433014-02830	1 - 16	437112-19831	4 - 25	900241-04008	6 - 11
433016-11031	1 - 14	437118-19830	4 - 21	900242-04008	2 - 39
433019-12330	3 - 8	437121-10130	4 - 29	900246-03008	1 - 38
433019-12330	6 - 6	437122-03430	4 - 22	900246-03008	5 - 38
433025-30830	6 - 13	437210-30830	4 - 18	900249-03008	1 - 38
433028-11030	1 - 15	437210-31730	5 - 82	900281-06025	1 - 5
433122-19930	6 - 34	437210-32430	4 - 10	900330-20200	5 - 53
433123-30830	6 - 43	437210-38330	4 - 10	900330-30180	5 - 54
433133-19930	6 - 31	437211-32430	4 - 41	900342-50025	5 - 24
433142-19931	6 - 42	437212-32430	4 - 42	900345-20016	4 - 28
433161-19930	6 - 41	437605-32430	4 - 17	900345-40010	6 - 37
433162-19930	6 - 33	880210-30830	1 - 22	900345-50010	1 - 34
433163-19930	5 - 49	890112-38130	3 - 44	900502-00005	6 - 32
433164-19930	5 - 50	890118-17930	3 - 44	900600-00005	1 - 19
433165-19930	5 - 51	890118-38130	6 - 5	900603-00005	3 - 12
433166-19930	5 - 52	890151-31730	2 - 5	900605-00006	1 - 20
433167-19931	5 - 55	890155-30130	5 - 29	900700-00003	4 - 14
433168-19930	5 - 56	890157-19830	2 - 34	900720-00003	2 - 8
433169-19931	6 - 40	890162-14930	1 - 48	900720-00003	4 - 15
433201-30830	5 - 46	890169-30130	2 - 17	900720-00003	4 - 50
433202-30830	6 -	890623-13930	1 - 47	900720-00007	4 - 26
433208-19930	6 - 36	895410-02830	6 - 51	900720-00010	2 - 4

Index

Patrs Number	Key No.	Patrs Number	Key No.	Patrs Number	Key No.
900720-20029	5 - 36				
900721-00025	1 - 36				
900810-36203	1 - 26				
V450-000290	4 - 24				

YAMABIKO CORPORATION

7-2 SUEHIROCHO 1-CHOME, OHME, TOKYO 198-8760, JAPAN
PHONE: 81-428-32-6118. FAX: 81-428-32-6145.



8000
No.