



PARTS CATALOG

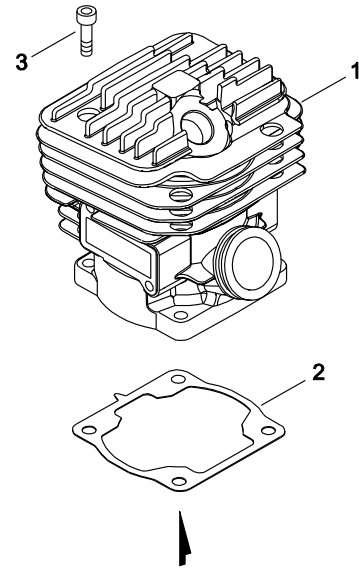
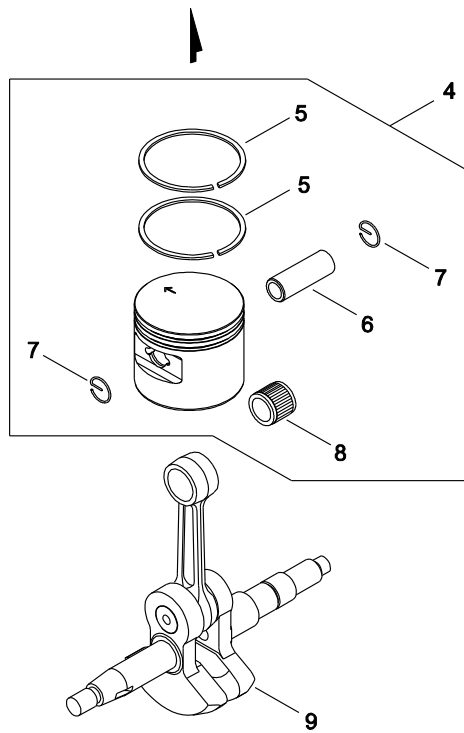
CHAIN SAW CS-490ES(37)45

37000001 -



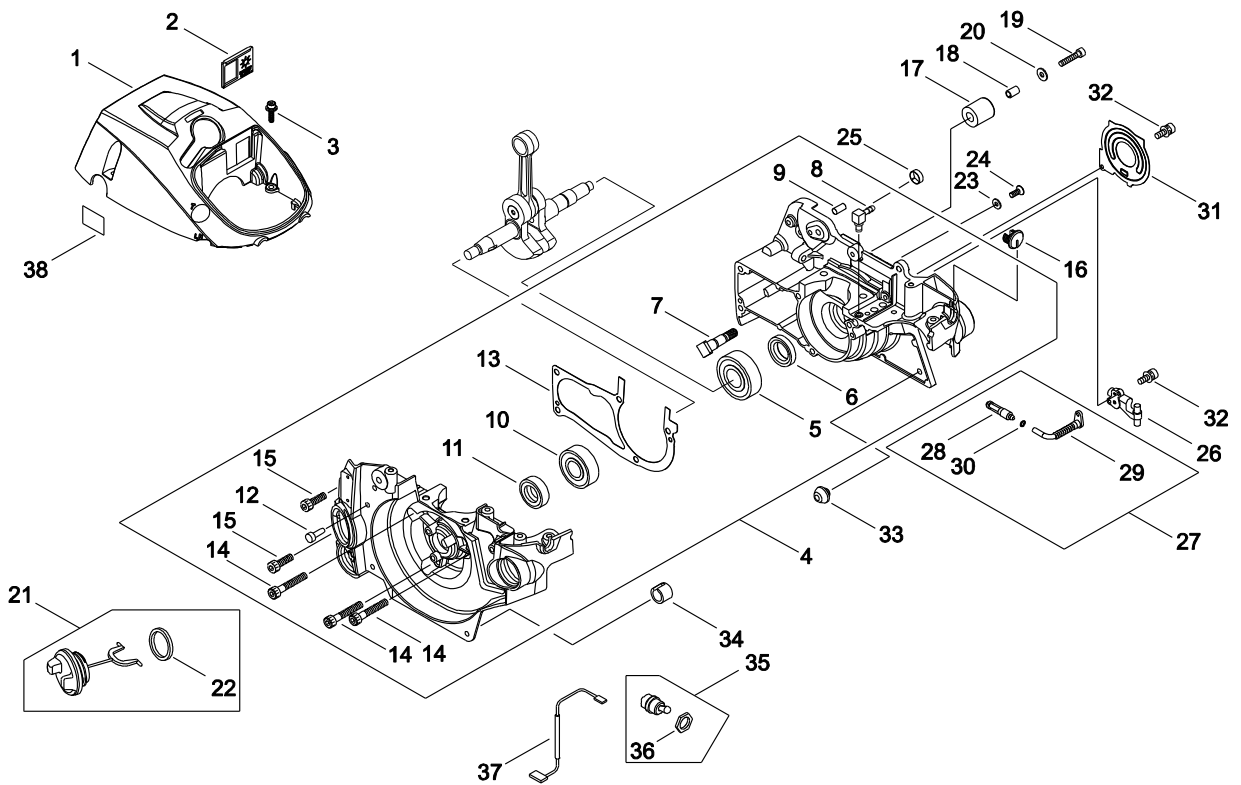
P014-004680-15C

1. CYLINDER, PISTON, CRANKSHAFT



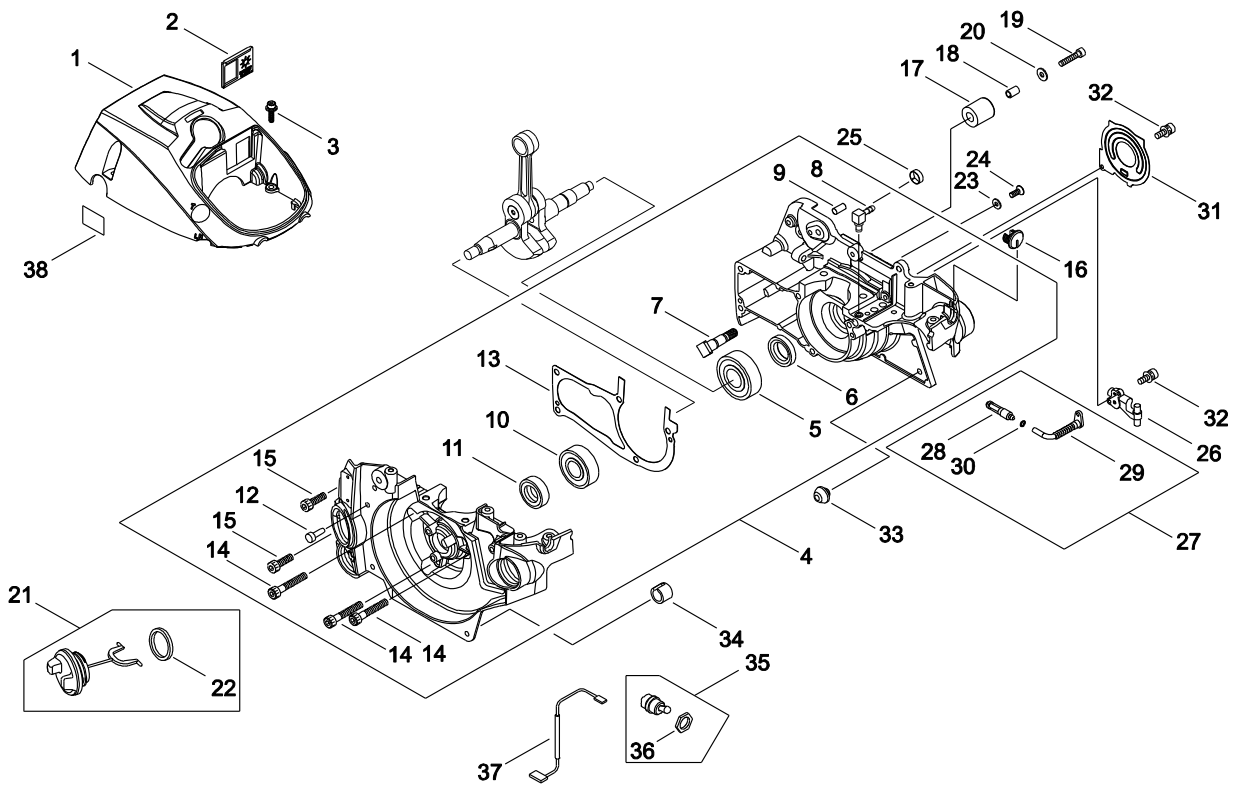
KEY	LV	PART NUMBER	Q'TY	DESCRIPTION	REMARKS	NOTE1	NOTE2
1		P021-038240	1	CYLINDER ASSY			
2		V100-000620	1	GASKET,CYL			
3		V203-001540	4	BOLT,ADHESIVE			
4		P021-036170	1	PISTON KIT			
5	+	A101-000540	2	PISTON RING			
6	+	V609-000050	1	PISTON PIN			
7	+	100015-32330	2	CIRCLIP, PISTON PIN			
8	+	V556-000040	1	BEARING,NEEDLE 11			
9		A011-001130	1	CRANKSHAFT,ASY			

2. CRANKCASE



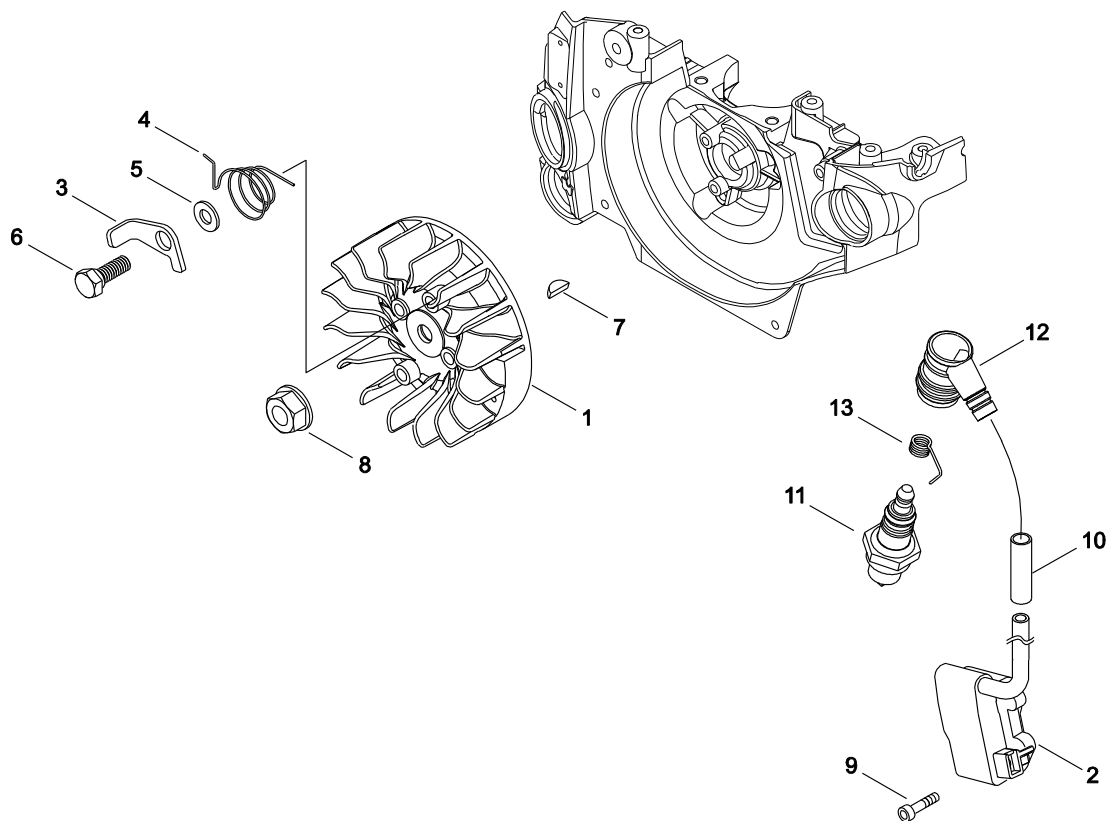
KEY	LV	PART NUMBER	Q'TY	DESCRIPTION	REMARKS	NOTE1	NOTE2
1		A160-002380	1	COVER,CYLINDER			
2		A219-000040	1	SHUTTER,AIR			
3		V202-000200	3	BOLT			
4		P021-038801	1	CRANKCASE,ASM			
5	+	V592-000290	1	BEARING, BALL	6202X47C3		
6	+	V508-000070	1	OIL SEAL			
7	+	V225-000150	2	BOLT,STUD			
8	+	437239-14730	1	NIPPLE			
9	+	V629-000000	2	ROLLER			
10	+	V592-000330	1	BEARING, BALL	6201X3C3		
11	+	V505-000070	1	OIL SEAL			
12	+	A356-000130	1	VALVE,CHECK			
13	+	V102-000220	1	GASKET,CRANKCASE			
14	+	V203-001450	3	BOLT			
15	+	V203-001540	2	BOLT,ADHESIVE			
16		V141-000100	1	PLUG			
17		C310-000110	1	CATCHER, CHAIN			
18		V353-000460	1	BUSH			
19		900105-05030	1	BOLT, H.S. 5*30	5*30		
20		900600-00005	1	WASHER 5	5		
21		C020-000040	1	CAP			
22	+	V107-000090	1	GASKET,FUEL CAP			
23		900603-00004	1	WASHER 4	4.5*10*0.8		
24		900212-04008	1	SCREW 4*8	+SF4*8		
25		V355-000460	1	COLLAR,8			

2. CRANKCASE



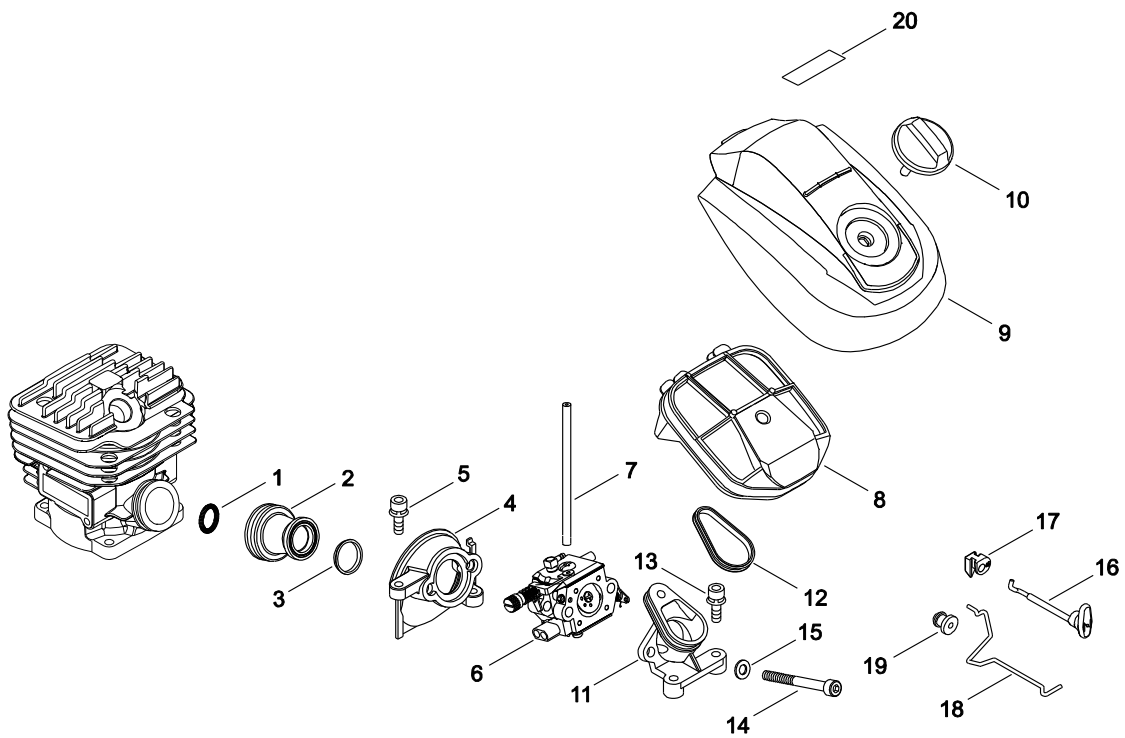
KEY	LV	PART NUMBER	Q'TY	DESCRIPTION	REMARKS	NOTE1	NOTE2
26		C022-000121	1	AUTO-OILER ASSEMBLY			
27		C021-000050	1	STRAINER, OIL			
28	+	C209-000070	1	STRAINER, OIL			
29	+	V470-001840	1	PIPE			
30	+	V490-000500	1	CLIP			
31		C236-000060	1	COVER, OILER			
32		V202-000520	3	BOLT, 4			
33		V420-004980	1	CUSHION			
34		V420-002780	1	CUSHION			
35		A440-002680	1	SWITCH, ON OFF			
36	+	V266-000090	1	NUT, 10			
37		V485-002030	1	LEAD			
38		890345-39231	1	LABEL, CAUTION			

3. MAGNETO



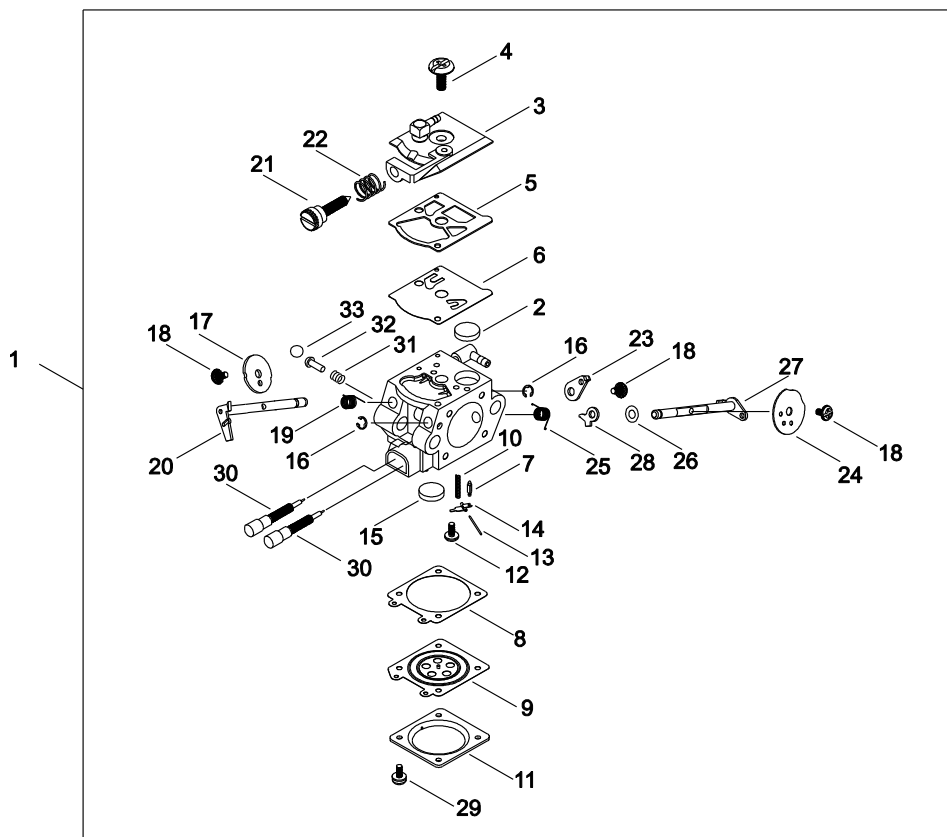
KEY	LV	PART NUMBER	Q'TY	DESCRIPTION	REMARKS	NOTE1	NOTE2
1		A409-000901	1	ROTOR, MAGNETO			
2		A411-001051	1	COIL, IGNITION			
3		A514-000220	2	PAWL			
4		V452-000870	2	SPRING, TORSION			
5		V304-000270	2	WASHER, CIRCULAR 6			
6		V204-000620	2	BOLT			
7		93115-03010	1	KEY	3*10		
8		V265-000220	1	NUT			
9		V202-000540	2	BOLT, 4			
10		V475-005180	1	TUBE			
11		A425-000000	1	SPARKPLUG	BPMR8Y		
12		A427-000013	1	CAP SPARK PLUG			
13		A426-000010	1	TERMINAL, SPARKPLUG			

4. AIR CLEANER, CARBURETOR



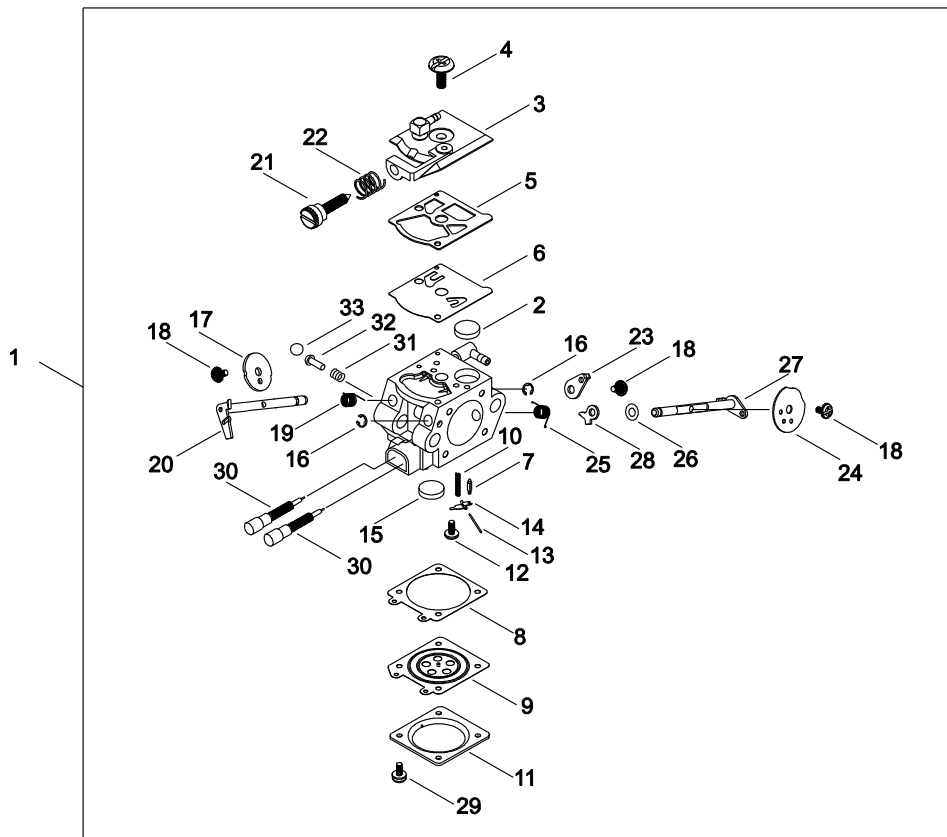
KEY	LV	PART NUMBER	Q'TY	DESCRIPTION	REMARKS	NOTE1	NOTE2
1		V451-000920	1	SPRING			
2		A202-000150	1	BOOT			
3		V359-000200	1	COLLAR			
4		A200-001050	1	INSULATOR,INTAKE			
5		V202-000200	2	BOLT			
6		A021-003561	1	CARBURETOR,DIAPHRAGM	WT-1011		
7		132010-56030	1	PIPE 3*6*110	3*6*110 NBR		
8		A226-001090	1	AIR CLEANER ASSY			
9		A232-001511	1	LID,CLEANER	ID NO.1930		
10		A235-000270	1	KNOB,CLEANER LID			
11		A204-000220	1	ELBOW, CARBURETOR			
12		V581-000280	1	GASKET			
13		V202-000200	2	BOLT			
14		91100-05048	2	BOLT			
15		900600-00005	2	WASHER 5	5		
16		A240-000111	1	ROD, CHOKE			
17		V130-000131	1	GROMMET,CHOKE			
18		C454-000280	1	ROD,THROTTLE			
19		V133-000040	1	GROMMET			
20		X503-013180	1	LABEL, MODEL			

5. CARBURETOR



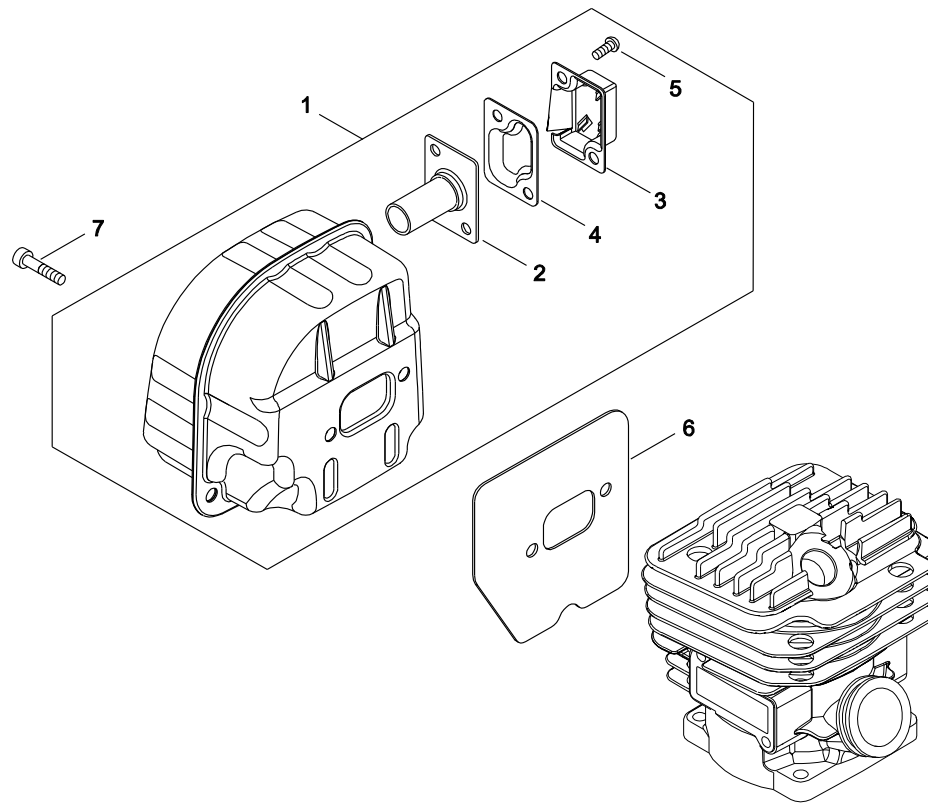
KEY	LV	PART NUMBER	Q'TY	DESCRIPTION	REMARKS	NOTE1	NOTE2
1		A021-003561	1	CARBURETOR,DIAPHRAGM	WT-1011		
2	+	123126-10631	1	SCREEN, INLET			
3	+	P003-005570	1	PUMP COVER ASY			
4	+	123110-03930	1	SCREW, PUMP COVER			
5	+	123125-15030	1	GASKET, FUEL PUMP			
6	+	123112-15030	1	DIAPHRAGM, FUEL PUMP			
7	+	123137-19830	1	VALVE, INLET NEEDLE			
8	+	123140-03930	1	GASKET, M. DIAPHRAGM			
9	+	P003-001850	1	DIAPHRAGM, METERING			
10	+	123122-39330	1	SPRING, METER. LEVER			
11	+	123142-03930	1	COVER, M. DIAPHRAGM			
12	+	123139-03930	1	SCREW, M. LEVER PIN			
13	+	123138-03930	1	PIN, METERING LEVER			
14	+	123123-03930	1	LEVER, METERING			
15	+	123146-10631	1	PLUG, WELCH			
16	+	123127-15030	2	RING			
17	+	P003-003240	1	VALVE,THROTTLE			
18	+	123114-38830	3	SCREW			
19	+	123113-37530	1	SPRING, THROTTLE RTN			
20	+	P003-004800	1	SHAFT ASY,THROTTLE			
21	+	P003-003650	1	IDEL SCREW			
22	+	123133-04260	1	SPRING, IDLE ADJUST			
23	+	P003-003180	1	THROTTLE LEVER			
24	+	P003-001960	1	VALVE, CHOKE			
25	+	P003-002260	1	SPRING			

5. CARBURETOR



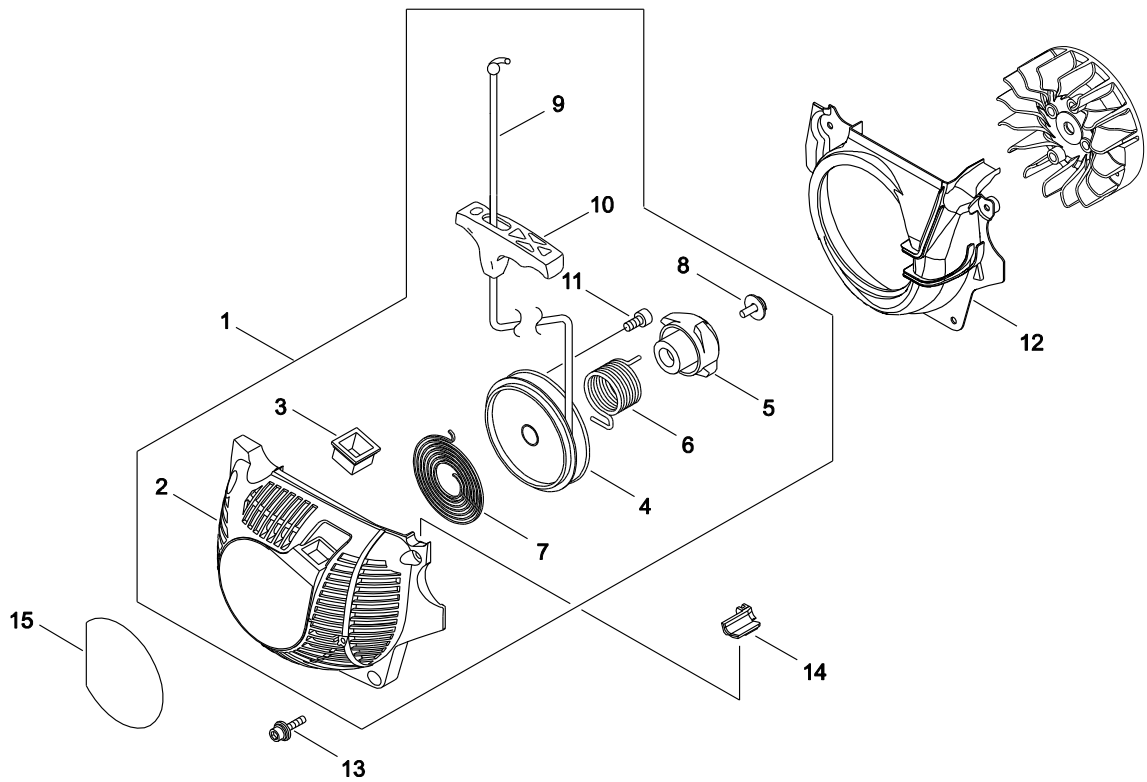
KEY	LV	PART NUMBER	Q'TY	DESCRIPTION	REMARKS	NOTE1	NOTE2
26	+	123149-26030	1	WASHER			
27	+	P003-003190	1	SHAFT			
28	+	P003-001510	1	LEVER-FAST IDLE			
29	+	123130-02960	4	SCREW			
30	+	P003-004460	2	NEEDLE			
31	+	123186-09660	1	SPRING, START VALVE			
32	+	123185-09660	1	PISTON ASSY			
33	+	123136-09660	1	BALL			

6. MUFFLER



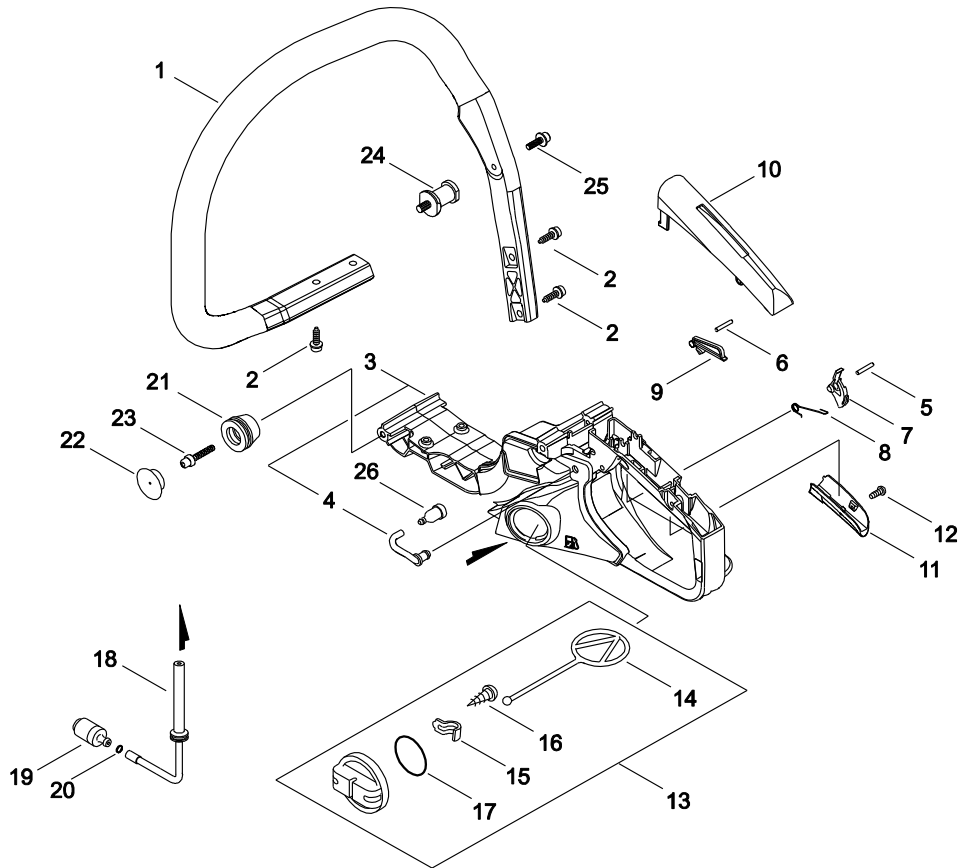
KEY	LV	PART NUMBER	Q'TY	DESCRIPTION	REMARKS	NOTE1	NOTE2
1		A030-000830	1	MUFFLER ASY			
2	+	A313-001481	1	GUIDE, EXHAUST			
3	+	A313-002020	1	GUIDE, EXHAUST			
4	+	A310-000300	1	SCREEN			
5	+	91578-04006	2	SCREW			
6		V104-001780	1	GASKET, EXHAUST			
7		V203-001540	4	BOLT, ADHESIVE			

7. RECOIL STARTER



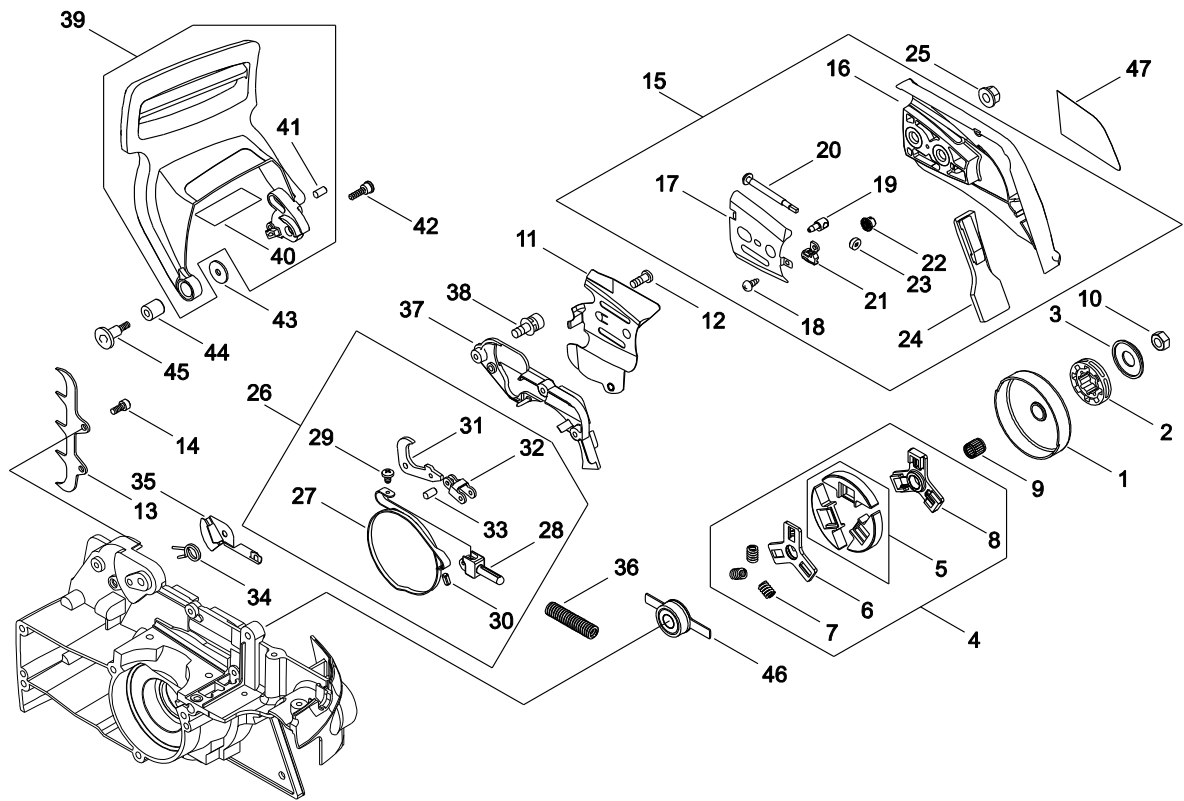
KEY	LV	PART NUMBER	QTY	DESCRIPTION	REMARKS	NOTE1	NOTE2
1		A051-003020	1	STARTER,RECOIL ASY			
2	+	P022-038520	1	STARTER CASE			
3	+	A510-000130	1	GUIDE,ROPE			
4	+	P022-036740	1	DRUM, STARTER			
5	+	P022-036750	1	PLATE, CAM			
6	+	P022-036760	1	SPRING,DAMPER			
7	+	P022-006250	1	SPRING,SPIRAL			
8	+	P022-004630	1	SCREW			
9	+	P022-039190	1	ROPE, STARTER			
10	+	P022-036780	1	GRIP, STARTER			
11	+	P022-036770	1	BOLT HSH	CB-4*10		
12		A172-001870	1	COVER,FAN			
13		V202-000200	4	BOLT			
14		V131-000190	1	GROMMET,NEEDLE			
15		X502-000760	1	LABEL,ECHO			

8. HANDLE



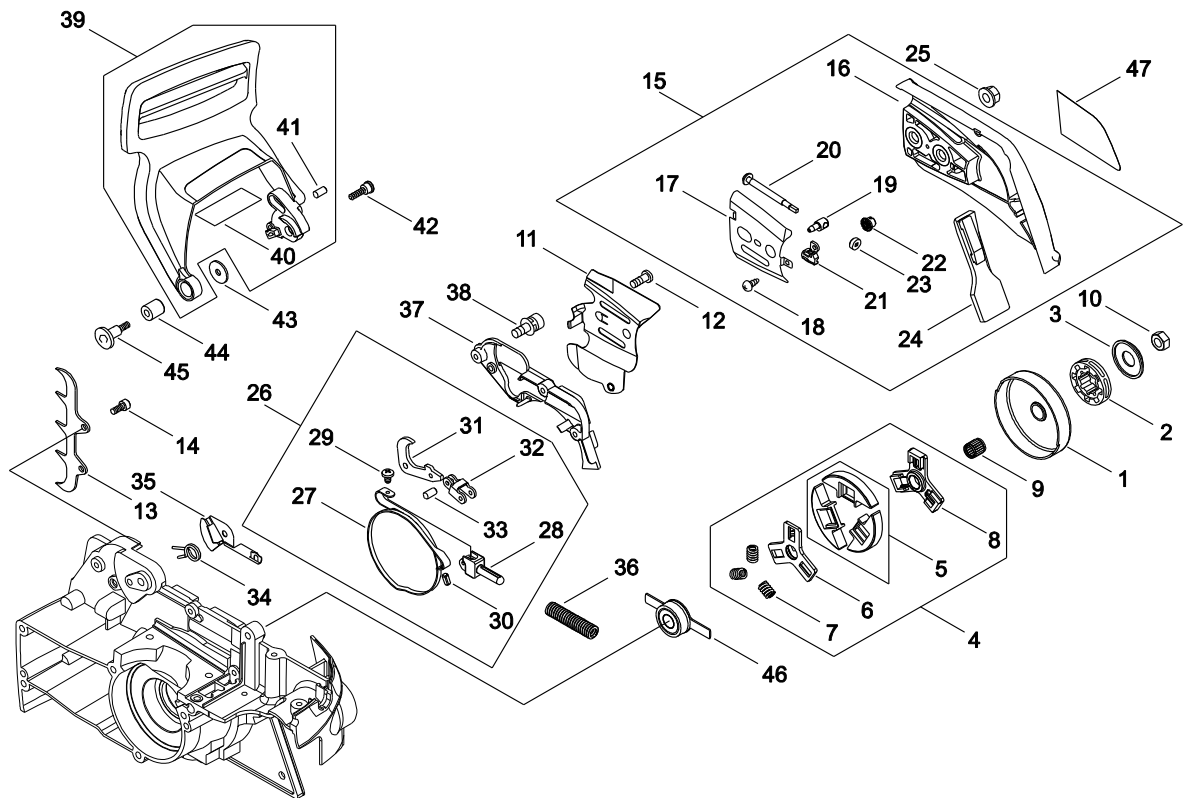
KEY	LV	PART NUMBER	Q'TY	DESCRIPTION	REMARKS	NOTE1	NOTE2
1		C400-001470	1	HANDLE, FRONT			
2		V203-002190	4	BOLT,5	H.S.H 5*20		
3		P021-049090	1	HANDLE ASY, REAR			
4	+	V470-001530	1	PIPE			
5		93060-40250	1	PIN, SPRING			
6		93042-40220	1	PIN, SPRING			
7		C450-000642	1	CONTROL, THROTTLE			
8		V452-000850	1	SPRING,TORSION			
9		C460-000390	1	LOCKOUT,THROTTLE			
10		C411-000170	1	LID,HANDLE			
11		C403-000840	1	GRIP, HANDLE			
12		900253-04025	1	SCREW 4*25	4*25		
13		P021-016041	1	CAP,FUER ASSY			
14	+	131051-19830	1	LINK	60L		
15	+	131050-19830	1	RETAINER, LINK			
16	+	900246-03008	1	SCREW 3*8	3*8		
17	+	900720-20029	1	O-RING 29	P-29		
18		V470-001520	1	PIPE			
19		A369-000450	1	STRAINER, FUEL			
20		V490-000500	1	CLIP			
21		V401-000610	4	CUSHION,5			
22		V421-000070	4	CAP,CUSHION			
23		V203-001480	4	BOLT			
24		V401-000330	1	CUSHION			
25		V202-000350	1	BOLT-SPW	M4-14		
26		131300-56431	1	VENT ASSEMBLY, FUEL			

9. CHAIN BRAKE



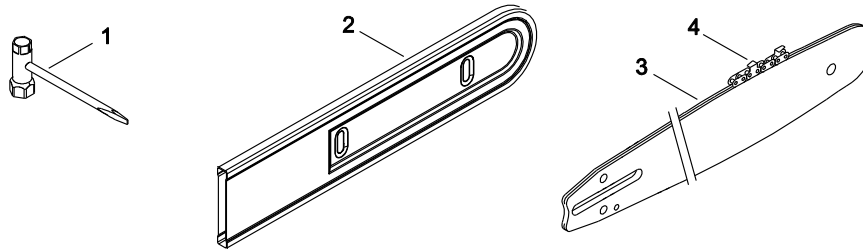
KEY	LV	PART NUMBER	Q'TY	DESCRIPTION	REMARKS	NOTE1	NOTE2
1		A556-001121	1	DRUM, CLUTCH			
2		175114-12530	1	SPROCKET, RIM .325			
3		V307-000451	1	WASHER, CIRCULAR 10			
4		A056-000610	1	ASM, CLUCH			
5	+	P100-000270	1	CLUTCH SHOE SET			
6	+	A552-000230	1	HUB, CLUTCH			
7	+	V451-000930	3	SPRING			
8	+	A552-000240	1	HUB, CLUTCH			
9		V555-000150	1	BEARING, NEEDLE			
10		V265-000211	1	NUT, 8			
11		C305-000480	1	PLATE, SPROCKET GUARD			
12		V252-000470	1	SCREW 4			
13		C304-000310	1	SPIKED			
14		900105-05012	2	BOLT, H.S. 5*12	5*12		
15		P021-049100	1	GUARD, SPROCKET ASY			
16	+	C300-001040	1	GUARD, SPROCKET			
17	+	C305-000470	1	PLATE, SPROCKET GUARD	T=0.5		
18	+	900253-04008	1	SCREW 4*8	4*8		
19	+	C309-000190	1	TENSIONER, CHAIN			
20	+	V203-000021	1	BOLT, 5			
21	+	V355-000840	1	COLLAR 8			
22	+	V651-001060	1	GEAR, BEVEL			
23	+	V651-000011	1	GEAR, BEVEL			
24	+	C302-000030	1	PROTECTOR			
25		V265-000200	2	NUT			

9. CHAIN BRAKE




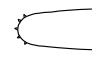
KEY	LV	PART NUMBER	Q'TY	DESCRIPTION	REMARKS	NOTE1	NOTE2
26		C328-000320	1	BAND,BRAKE			
27	+	C328-000220	1	BAND,BRAKE			
28	+	C334-000180	1	CONNECTOR,BRAKE			
29	+	91381-04010	1	SCREW TAPPING			
30	+	93042-40100	1	PIN, SPRING			
31	+	C334-000330	1	CONNECTOR,BRAKE			
32	+	C334-000200	1	CONNECTOR,BRAKE			
33	+	900330-30120	2	PIN	3*12		
34		V452-000860	1	SPRING,TORSION			
35		C347-000010	1	PLATE,BRAKE SEAL			
36		V450-001160	1	SPRING,COIL			
37		C345-000430	1	ROD,THROTTLE			
38		V202-000490	3	BOLT			
39		P021-048630	1	BRAKE LEVER ASY			
40	+	V341-000000	1	WASHER,SQUARE			
41	+	900330-40080	1	PIN F 4*8	4*8		
42		V203-001470	1	BOLT,ADHESIVE			
43		V303-000320	1	WASHER,CIRCULAR 5			
44		J211-000430	1	BUSH			
45		V203-001410	1	BOLT ADHESIVE			
46		P021-023110	1	GEAR			
47		X502-001020	1	LABEL,ECHO			

10. ACCESSORIES



KEY	LV	PART NUMBER	Q'TY	DESCRIPTION	REMARKS	NOTE1	NOTE2
1		X602-000080	1	TOOL,WRENCH	13*19 L180		
2		X490-000490	1	SCABBARD,CHAIN			
3		X125-000330	1	BAR, GUIDE 45			
4		431717-30231	1	CHAIN, SAW	21BPX-72E		

11. GUIDE BAR, CHAIN

Pitch ピッチ	Gauge ゲージ	Length 長さ	Guide Bar ガイドバー		Saw Chain ソーチェーン		Hard Nose ハード ノーズ 	Sprocket Nose スプロケット ノーズ 
			Key №	Type 形式	Key №	Type 形式		
.325 8.26	0.058 1.47	38	A1	38LRV58LD-325EC	A2	21BPX-64E		●
.325 8.26	0.058 1.47	45	B1	45LRV58LD-325EC	B2	21BPX-72E		●
.325 8.26	0.058 1.47	50	C1	50LRV58LD-325EC	C2	21BPX-80E		●

KEY	LV	PART NUMBER	Q'TY	DESCRIPTION	REMARKS	NOTE1	NOTE2
A1		X123-000600	1	BAR, GUIDE 35			
A2		431721-30231	1	CHAIN, SAW	21BPX-64E		
B1		X125-000330	1	BAR, GUIDE 45			
B2		431717-30231	1	CHAIN, SAW	21BPX-72E		
C1		X126-000270	1	BAR, GUIDE 50			
C2		431712-30231	1	CHAIN, SAW	21BPX-80E		

Index

Patrs Number	Key No.	Patrs Number	Key No.	Patrs Number	Key No.
100015-32330	1 - 7	93042-40220	8 - 6	C328-000320	9 - 26
123110-03930	5 - 4	93060-40250	8 - 5	C334-000180	9 - 28
123112-15030	5 - 6	93115-03010	3 - 7	C334-000200	9 - 32
123113-37530	5 - 19	A011-001130	1 - 9	C334-000330	9 - 31
123114-38830	5 - 18	A021-003561	4 - 6	C345-000430	9 - 37
123122-39330	5 - 10	A021-003561	5 - 1	C347-000010	9 - 35
123123-03930	5 - 14	A030-000830	6 - 1	C400-001470	8 - 1
123125-15030	5 - 5	A051-003020	7 - 1	C403-000840	8 - 11
123126-10631	5 - 2	A056-000610	9 - 4	C411-000170	8 - 10
123127-15030	5 - 16	A101-000540	1 - 5	C450-000642	8 - 7
123130-02960	5 - 29	A160-002380	2 - 1	C454-000280	4 - 18
123133-04260	5 - 22	A172-001870	7 - 12	C460-000390	8 - 9
123136-09660	5 - 33	A200-001050	4 - 4	J211-000430	9 - 44
123137-19830	5 - 7	A202-000150	4 - 2	P003-001510	5 - 28
123138-03930	5 - 13	A204-000220	4 - 11	P003-001850	5 - 9
123139-03930	5 - 12	A219-000040	2 - 2	P003-001960	5 - 24
123140-03930	5 - 8	A226-001090	4 - 8	P003-002260	5 - 25
123142-03930	5 - 11	A232-001511	4 - 9	P003-003180	5 - 23
123146-10631	5 - 15	A235-000270	4 - 10	P003-003190	5 - 27
123149-26030	5 - 26	A240-000111	4 - 16	P003-003240	5 - 17
123185-09660	5 - 32	A310-000300	6 - 4	P003-003650	5 - 21
123186-09660	5 - 31	A313-001481	6 - 2	P003-004460	5 - 30
131050-19830	8 - 15	A313-002020	6 - 3	P003-004800	5 - 20
131051-19830	8 - 14	A356-000130	2 - 12	P003-005570	5 - 3
131300-56431	8 - 26	A369-000450	8 - 19	P021-016041	8 - 13
132010-56030	4 - 7	A409-000901	3 - 1	P021-023110	9 - 46
175114-12530	9 - 2	A411-001051	3 - 2	P021-036170	1 - 4
431712-30231	11 - C2	A425-000000	3 - 11	P021-038240	1 - 1
431717-30231	10 - 4	A426-000010	3 - 13	P021-038801	2 - 4
431717-30231	11 - B2	A427-000013	3 - 12	P021-048630	9 - 39
431721-30231	11 - A2	A440-002680	2 - 35	P021-049090	8 - 3
437239-14730	2 - 8	A510-000130	7 - 3	P021-049100	9 - 15
890345-39231	2 - 38	A514-000220	3 - 3	P022-004630	7 - 8
900105-05012	9 - 14	A552-000230	9 - 6	P022-006250	7 - 7
900105-05030	2 - 19	A552-000240	9 - 8	P022-036740	7 - 4
900212-04008	2 - 24	A556-001121	9 - 1	P022-036750	7 - 5
900246-03008	8 - 16	C020-000040	2 - 21	P022-036760	7 - 6
900253-04008	9 - 18	C021-000050	2 - 27	P022-036770	7 - 11
900253-04025	8 - 12	C022-000121	2 - 26	P022-036780	7 - 10
900330-30120	9 - 33	C209-000070	2 - 28	P022-038520	7 - 2
900330-40080	9 - 41	C236-000060	2 - 31	P022-039190	7 - 9
900600-00005	2 - 20	C300-001040	9 - 16	P100-000270	9 - 5
900600-00005	4 - 15	C302-000030	9 - 24	V100-000620	1 - 2
900603-00004	2 - 23	C304-000310	9 - 13	V102-000220	2 - 13
900720-20029	8 - 17	C305-000470	9 - 17	V104-001780	6 - 6
91100-05048	4 - 14	C305-000480	9 - 11	V107-000090	2 - 22
91381-04010	9 - 29	C309-000190	9 - 19	V130-000131	4 - 17
91578-04006	6 - 5	C310-000110	2 - 17	V131-000190	7 - 14
93042-40100	9 - 30	C328-000220	9 - 27	V133-000040	4 - 19

Index

Patrs Number	Key No.	Patrs Number	Key No.	Patrs Number	Key No.
V141-000100	2 - 16	V490-000500	2 - 30		
V202-000200	2 - 3	V490-000500	8 - 20		
V202-000200	4 - 5	V505-000070	2 - 11		
V202-000200	4 - 13	V508-000070	2 - 6		
V202-000200	7 - 13	V555-000150	9 - 9		
V202-000350	8 - 25	V556-000040	1 - 8		
V202-000490	9 - 38	V581-000280	4 - 12		
V202-000520	2 - 32	V592-000290	2 - 5		
V202-000540	3 - 9	V592-000330	2 - 10		
V203-000021	9 - 20	V609-000050	1 - 6		
V203-001410	9 - 45	V629-000000	2 - 9		
V203-001450	2 - 14	V651-000011	9 - 23		
V203-001470	9 - 42	V651-001060	9 - 22		
V203-001480	8 - 23	X123-000600	11 - A1		
V203-001540	1 - 3	X125-000330	10 - 3		
V203-001540	2 - 15	X125-000330	11 - B1		
V203-001540	6 - 7	X126-000270	11 - C1		
V203-002190	8 - 2	X490-000490	10 - 2		
V204-000620	3 - 6	X502-000760	7 - 15		
V225-000150	2 - 7	X502-001020	9 - 47		
V252-000470	9 - 12	X503-013180	4 - 20		
V265-000200	9 - 25	X602-000080	10 - 1		
V265-000211	9 - 10				
V265-000220	3 - 8				
V266-000090	2 - 36				
V303-000320	9 - 43				
V304-000270	3 - 5				
V307-000451	9 - 3				
V341-000000	9 - 40				
V353-000460	2 - 18				
V355-000460	2 - 25				
V355-000840	9 - 21				
V359-000200	4 - 3				
V401-000330	8 - 24				
V401-000610	8 - 21				
V420-002780	2 - 34				
V420-004980	2 - 33				
V421-000070	8 - 22				
V450-001160	9 - 36				
V451-000920	4 - 1				
V451-000930	9 - 7				
V452-000850	8 - 8				
V452-000860	9 - 34				
V452-000870	3 - 4				
V470-001520	8 - 18				
V470-001530	8 - 4				
V470-001840	2 - 29				
V475-005180	3 - 10				
V485-002030	2 - 37				

YAMABIKO CORPORATION

7-2 SUEHIROCHO 1-CHOME, OHME, TOKYO 198-8760, JAPAN
PHONE: 81-428-32-6118. FAX: 81-428-32-6145.



-15C
No. 07-194