

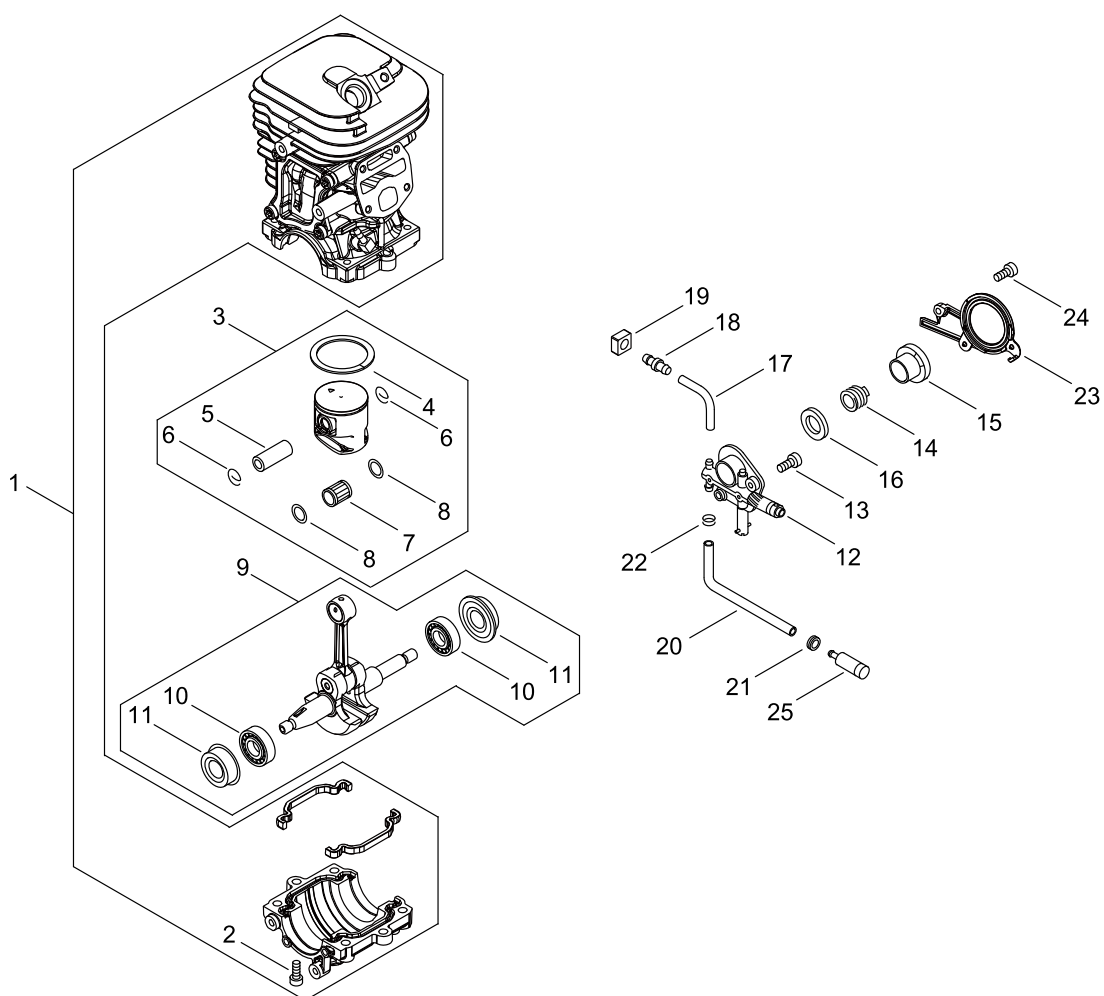
CS-4510ES_Y38L

Published:12/21/2017

TABLE OF CONTENTS

CYLINDER, PISTON, CRANKSHAFT.....	1
ENGINE COVER.....	3
MAGNETO.....	5
AIR CLEANER, CARBURETOR.....	7
CARBURETOR.....	9
MUFFLER.....	11
RECOIL STARTER.....	13
HANDLE.....	15
CHAIN BRAKE.....	17
ACCESSORIES.....	19
OILER.....	21
GUIDE BAR, CHAIN.....	23
OPTION PARTS.....	25

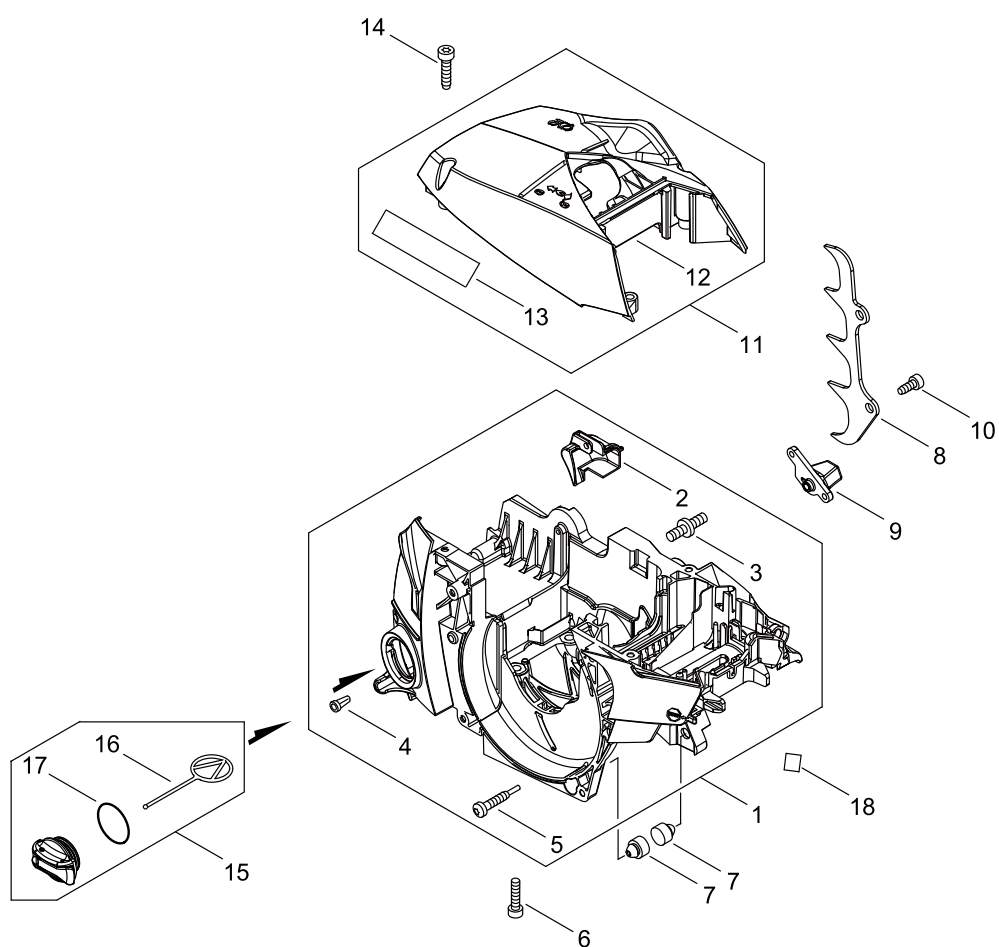
CYLINDER, PISTON, CRANKSHAFT



CYLINDER, PISTON, CRANKSHAFT

KEY NO	LV(+)	Part No	Description	Qty	Standard	Comment
1		P100-004570	CRANKCASE SET	1		
2	+	V805-000250	BOLT, TORX 5	2	TB-5*16 12.9	
3		P100-004580	PISTON KIT	1		
4	+	A101-000710	RING, PISTON	1	Φ 43*1.5*1.8	
5	+	100013-39730	PIN, PISTON	1		
6	+	V580-000010	RING,END	2	10	
7	+	V555-000140	BEARING,NEEDLE	1		
8	+	100014-17330	SPACER, PISTON PIN	2		
9		P100-004590	CRANKSHAFT ASY	1		
10	+	900810-36202	BEARING, BALL 6202	2	6202/C3	
11	+	V508-000110	SEAL,OIL 15	2		
12		C022-000010	OILER,ASM AUTO	1		
13		V805-000140	BOLT, TORX 5	2	TB-5*12 10.9	
14		V652-000030	GEAR,WORM	1		
15		V356-000390	COLLAR,10	1		
16		V308-000030	WASHER,CIRCULAR 11	1	10.5*17.4*1.8	
17		V471-005190	PIPE	1	3*6*49	
18		V187-000010	NIPPLE	1		
19		A203-000090	SEAL	1		
20		V471-005200	PIPE	1	3*6*200	
21		132115-01461	GROMMET	1		
22		V490-001230	CLIP	1		
23		C236-000160	COVER,OILER	1		
24		V804-000000	BOLT, TORX 4	1	TT-4*12 DG 10.9	
25		P100-001900	STRAINER, OIL	1		

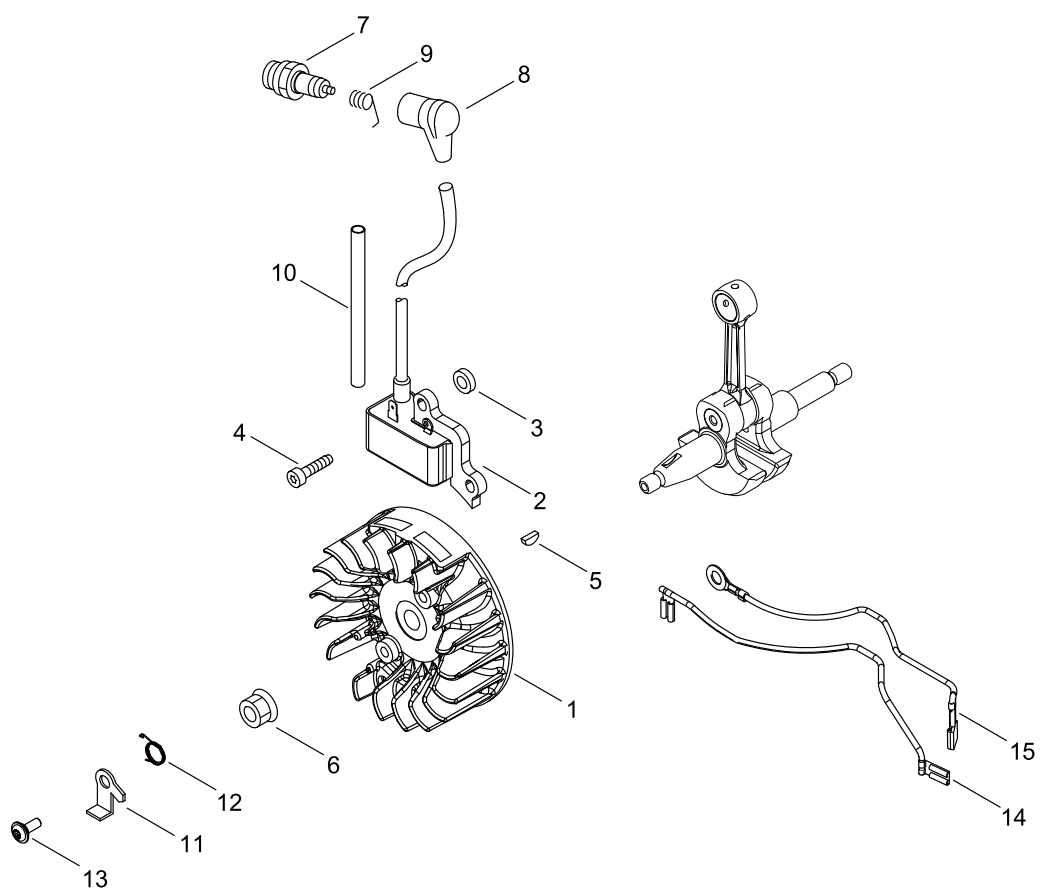
ENGINE COVER



ENGINE COVER

KEY NO	LV(+)	Part No	Description	Qty	Standard	Comment
1		P100-004600	COVER ENGINE ASY	1		
2	+	A161-000370	DUCT, AIR	1		
3	+	V225-000370	BOLT,STUD 8	2	M8	
4	+	436114-13930	VALVE, CHECK	1		
5	+	V203-002380	BOLT,5	1	STOPPER BOLT	
6		V805-000270	BOLT, TORX 5	4	TB-5*40 12.9	
7		V420-001790	CUSHION	2		
8		C304-000320	SPIKED	1		
9		C310-000150	CATCHER, CHAIN	1		
10		V805-000010	BOLT, TORX 5	3	TT-5*20 DG 10.9	
11		A160-003360	COVER,CYLINDER	1	LABEL	
12	+	A160-003430	COVER,CYLINDER	1		
13	+	X502-001060	LABEL,ECHO	1		
14		V805-000010	BOLT, TORX 5	3	TT-5*20 DG 10.9	
15		P100-004610	CAP,OIL ASY	1		
16	+	A365-000050	CONNECTOR,CAP	1		
17	+	900720-20029	O-RING 29	1	P-29	
18		X510-001050	LABEL,SWITCH	1		

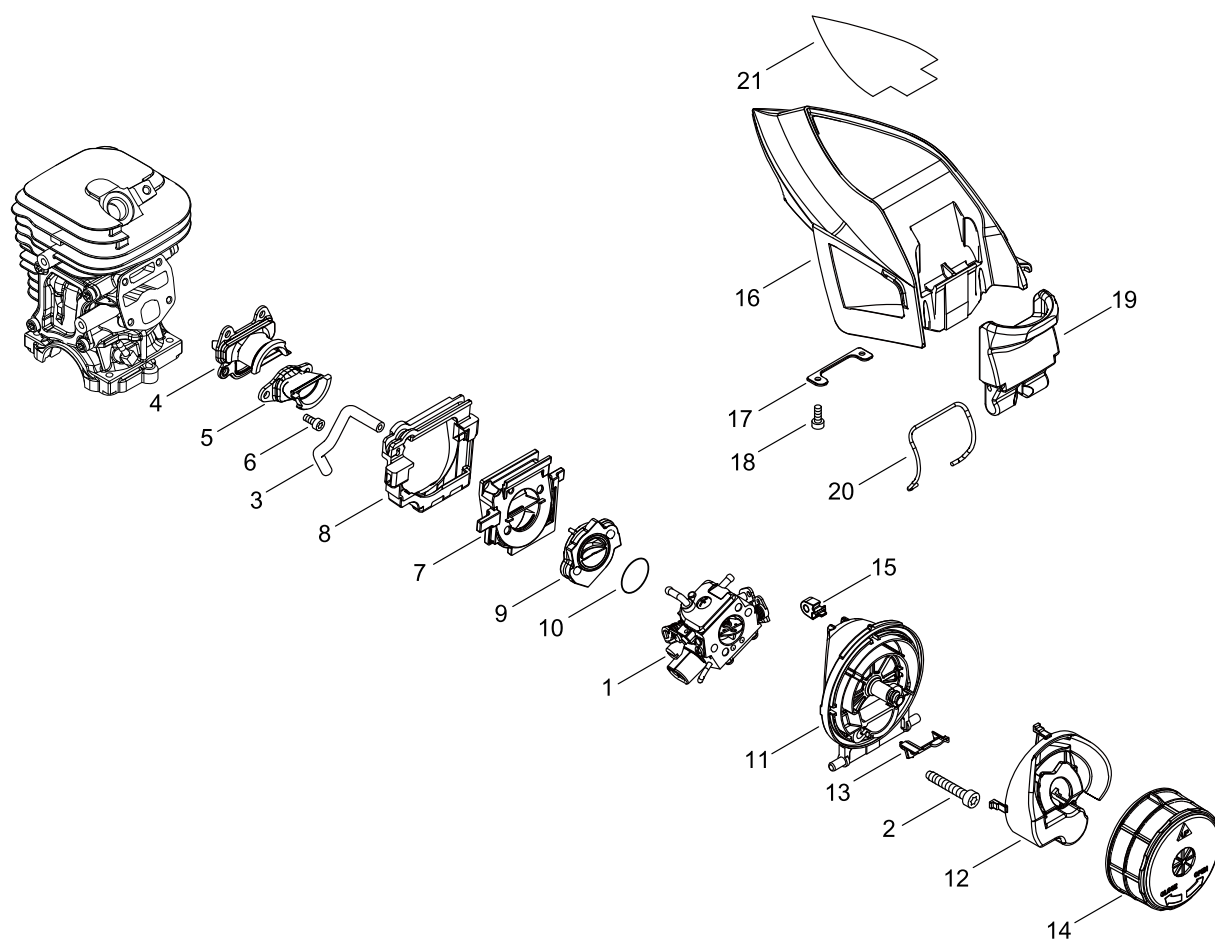
MAGNETO



MAGNETO

KEY NO	LV(+)	Part No	Description	Qty	Standard	Comment
1		A409-001330	ROTOR, MAGNETO	1	ID#*****	
2		A411-001740	COIL, IGNITION	1	ID#*****	
3		150117-16430	SPACER	2		
4		V805-000210	BOLT, TORX 5	2	TB-5*20 12.9	
5		100142-12330	KEY, WOODRUFF	1		
6		900515-00008	NUT, FLANGE 8	1	8	
7		A425-000000	SPARKPLUG	1	BPMR8Y	
8		A427-000190	CAP,SPARK PLUG	1		
9		A426-000010	TERMINAL,SPARKPLUG	1		
10		V475-009180	TUBE	1	SSG-1 6*7.2*100	
11		A514-000050	PAWL	2		
12		177234-35430	SPRING, RETURN	2		
13		V203-002250	BOLT,5	2		
14		V485-002960	LEAD	1	L155	
15		V485-002970	LEAD	1	L153	

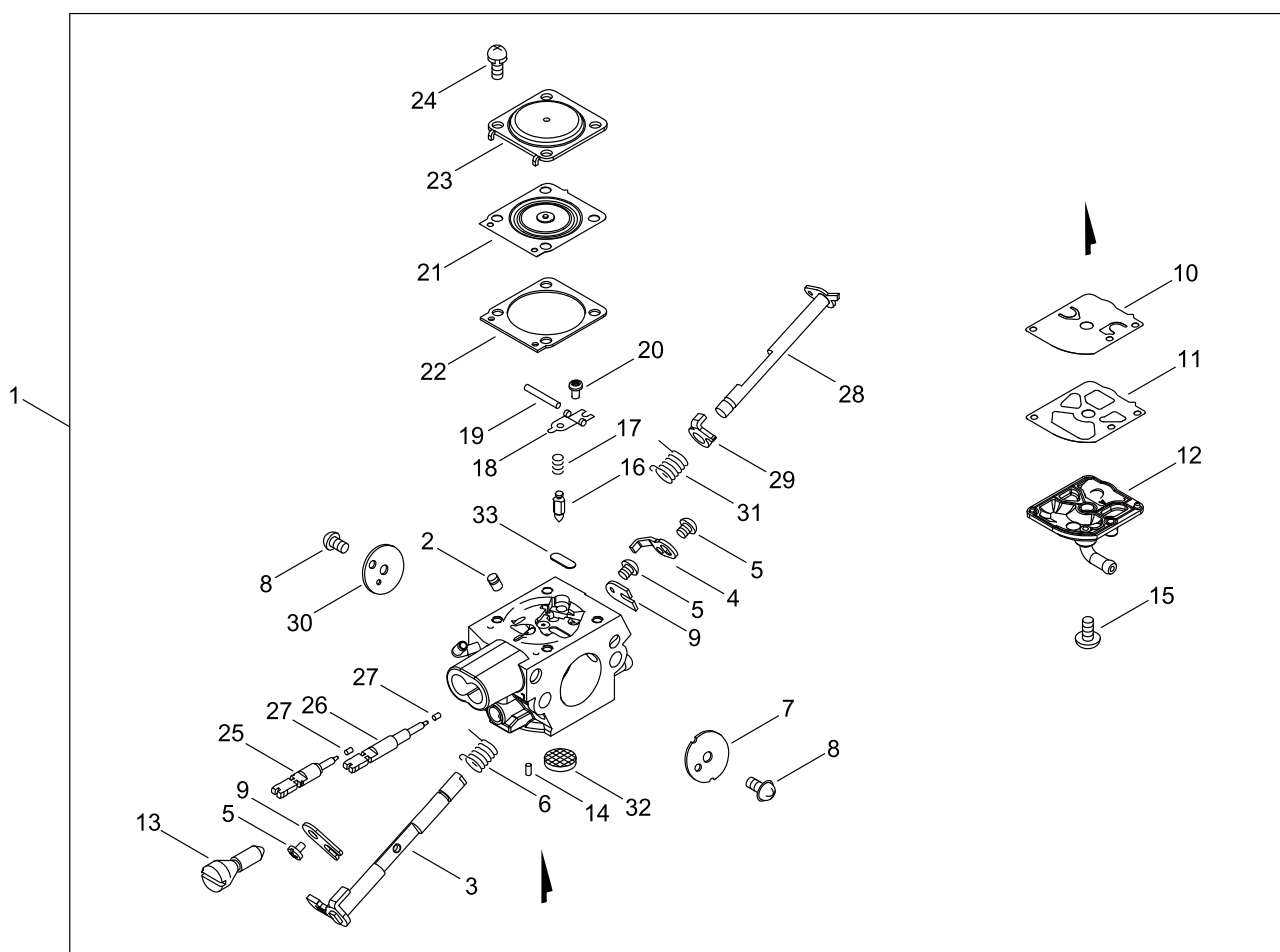
AIR CLEANER, CARBURETOR



AIR CLEANER, CARBURETOR

KEY NO	LV(+)	Part No	Description	Qty	Standard	Comment
1		A021-004810	CARBURETOR, DIAPHRAGM	1		
2		V805-000040	BOLT, TORX 5	2	TT-5*55 DG 10.9	
3		V471-000760	PIPE	1		
4		A202-000310	BELLOWS, INTAKE	1	AIR SIDE	
5		A202-000320	BELLOWS, INTAKE	1	MIX SIDE	
6		V804-000050	BOLT, TORX 4	4	TB-4*12 10.9	
7		A200-001150	INSULATOR, INTAKE	1	CYLINDER SIDE	
8		V420-005250	CUSHION	1	FOR IN- INSULATOR	
9		A200-001160	INSULATOR, INTAKE	1	CARB SIDE	
10		900724-00022	O-RING S-22	1	S-22	
11		A225-000730	CASE,CLEANER	1		
12		A161-000350	DUCT, AIR	1	BIG	
13		A161-000360	DUCT, AIR	1	SMALL	
14		A226-002150	ELEMENT, AIR FILTER	1		
15		V420-005260	CUSHION	1	FOR CLEANERCASE	
16		A232-001940	LID,CLEANER	1		
17		V453-000260	SPRING,FLAT	1	T1.5 1/2H	
18		V804-000000	BOLT, TORX 4	2	TT-4*12 DG 10.9	
19		A235-000440	KNOB,CLEANER LID	1		
20		V582-000280	RING,SNAP	1		
21		X503-014630	LABEL,MODEL	1	CS-4510ES	

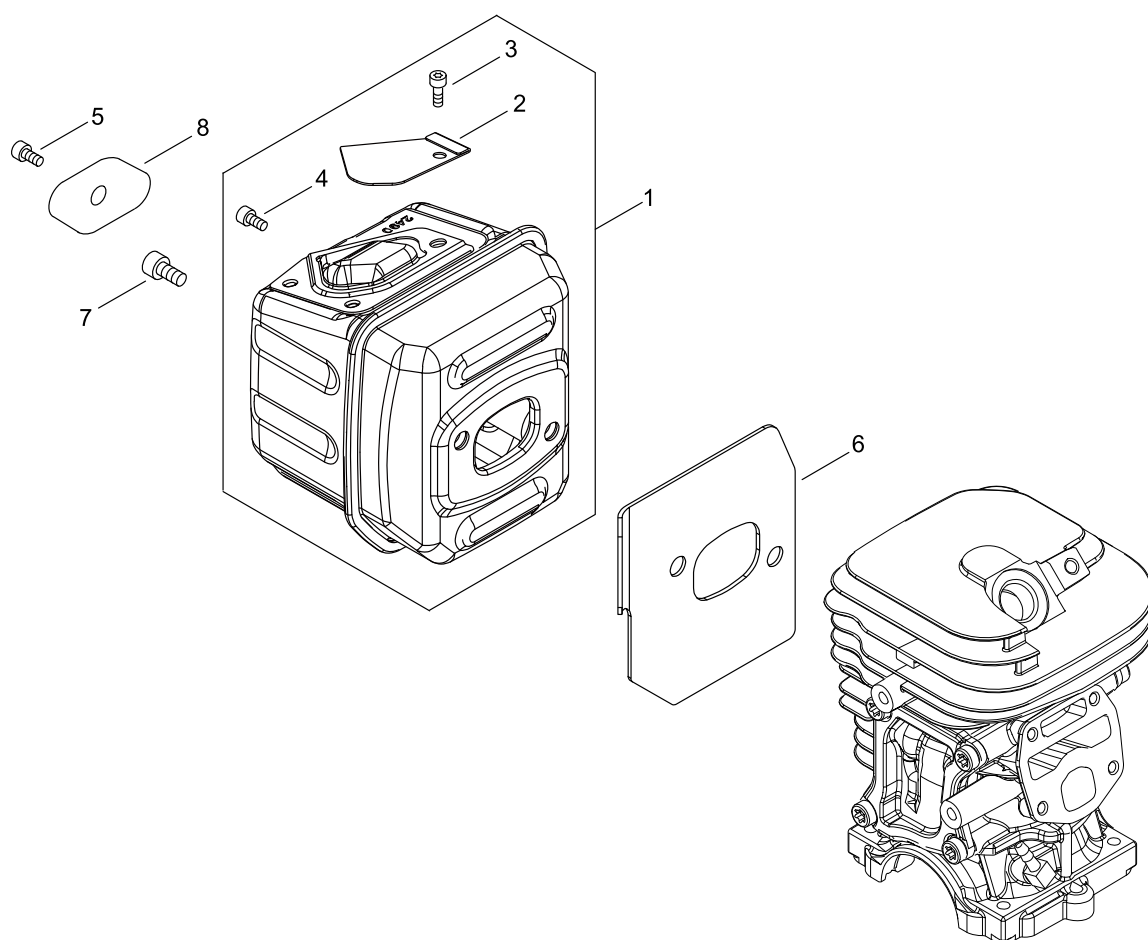
CARBURETOR



CARBURETOR

KEY NO	LV(+)	Part No	Description	Qty	Standard	Comment
1		A021-004810	CARBURETOR, DIAPHRAGM	1		
2	+	P005-004060	NOZZLE, CHECK VALVE	1		
3	+	P005-004070	SHAFT ASY, THROTTLE	1		
4	+	P005-004080	LEVER, THROTTLE	1		
5	+	125348-13930	SCREW	3		
6	+	P005-004090	SPRING, RETURN	1		
7	+	P005-004100	VALVE, THROTTLE	1		
8	+	125314-51230	SCREW	2	3*4.5	
9	+	P005-003820	RETAINER, SHAFT	2		
10	+	P005-001110	DIAPHRAGM, PUMP	1		
11	+	125325-08360	GASKET, PUMP	1		
12	+	P005-004110	COVER, PUMP	1		
13	+	P005-004120	SCREW, THROTTLEADJUST	1		
14	+	125378-13930	PIECE, FRICTION	1		
15	+	125310-13930	SCREW	1		
16	+	P005-004030	VALVE, INLET NEEDLE	1		
17	+	125322-13930	SPRING, COIL	1		
18	+	125323-08260	ARM, VALVE	1		
19	+	125338-13930	PIN, METERING ARM	1		
20	+	P005-004130	SCREW	1		
21	+	P005-003190	DIAPHRAGM ,METERING	1		
22	+	P005-003200	GASKET, METERING	1		
23	+	P005-003210	COVER, METERING	1		
24	+	P005-003840	SCREW	4		
25	+	P005-004160	SCREW, MAIN MIXTURE	1		
26	+	P005-004170	SCREW, IDLE MIXTURE	1		
27	+	125363-12820	RETAINER	2		
28	+	P005-004180	SHAFT, CHOKE ASY	1		
29	+	P005-004190	LEVER, CHOKE	1		
30	+	P005-004200	VALVE, CHOKE	1		
31	+	P005-004210	SPRING, RETURN	1		
32	+	P005-000860	SCREEN, FUEL INLET	1		
33	+	P005-000410	PLUG, WELCH	1		

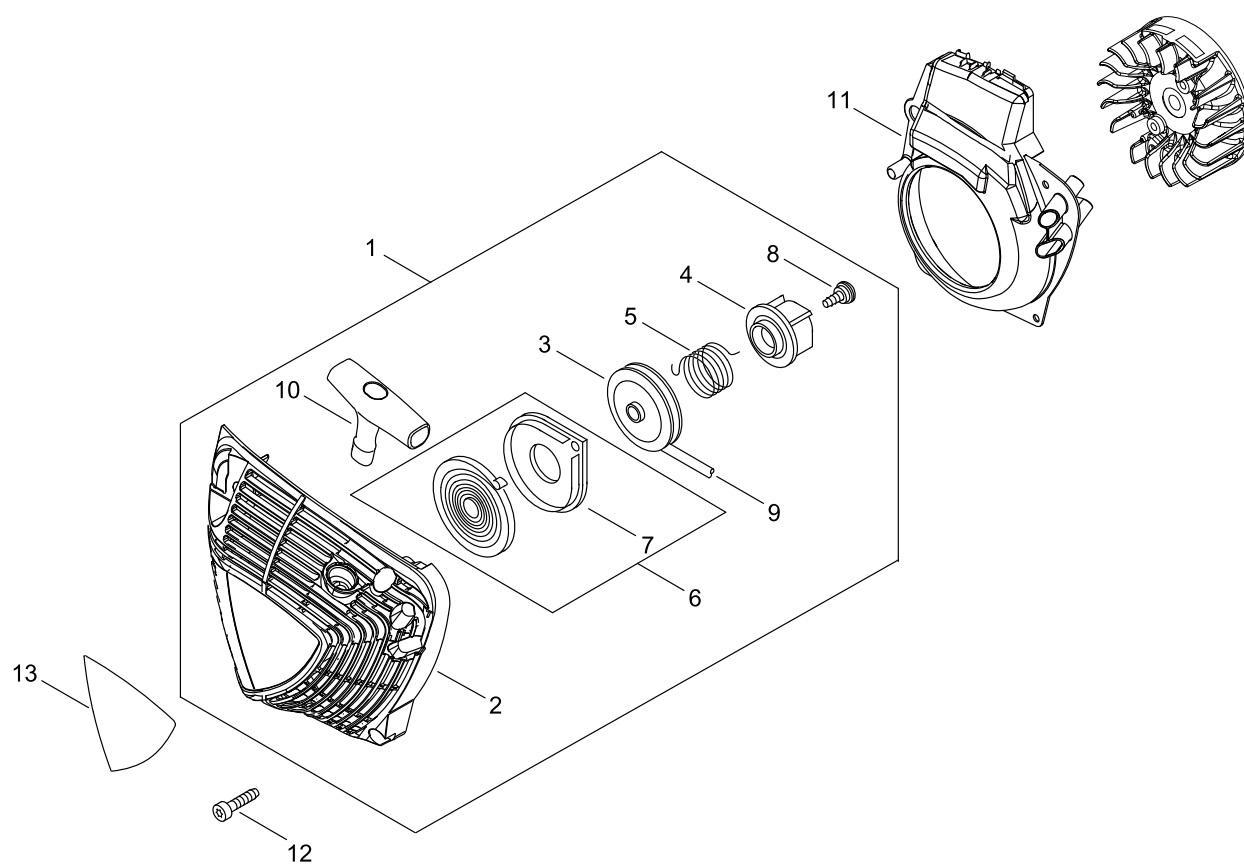
MUFFLER



MUFFLER

KEY NO	LV(+)	Part No	Description	Qty	Standard	Comment
1		P100-004620	MUFFLER ASY	1		
2	+	A310-000500	SCREEN, ARRESTOR	1		
3	+	V804-000030	BOLT, TORX 4	1	TB-4*8 10.9	
4	+	V804-000030	BOLT, TORX 4	1	TB-4*8 10.9	
5		V804-000030	BOLT, TORX 4	1	TB-4*8 10.9	
6		V104-002340	GASKET,EXHAUST	1	T:1.0	
7		V805-000250	BOLT, TORX 5	2	TB-5*16 12.9	
8		145711-60631	STAY, MUFFLER	1		

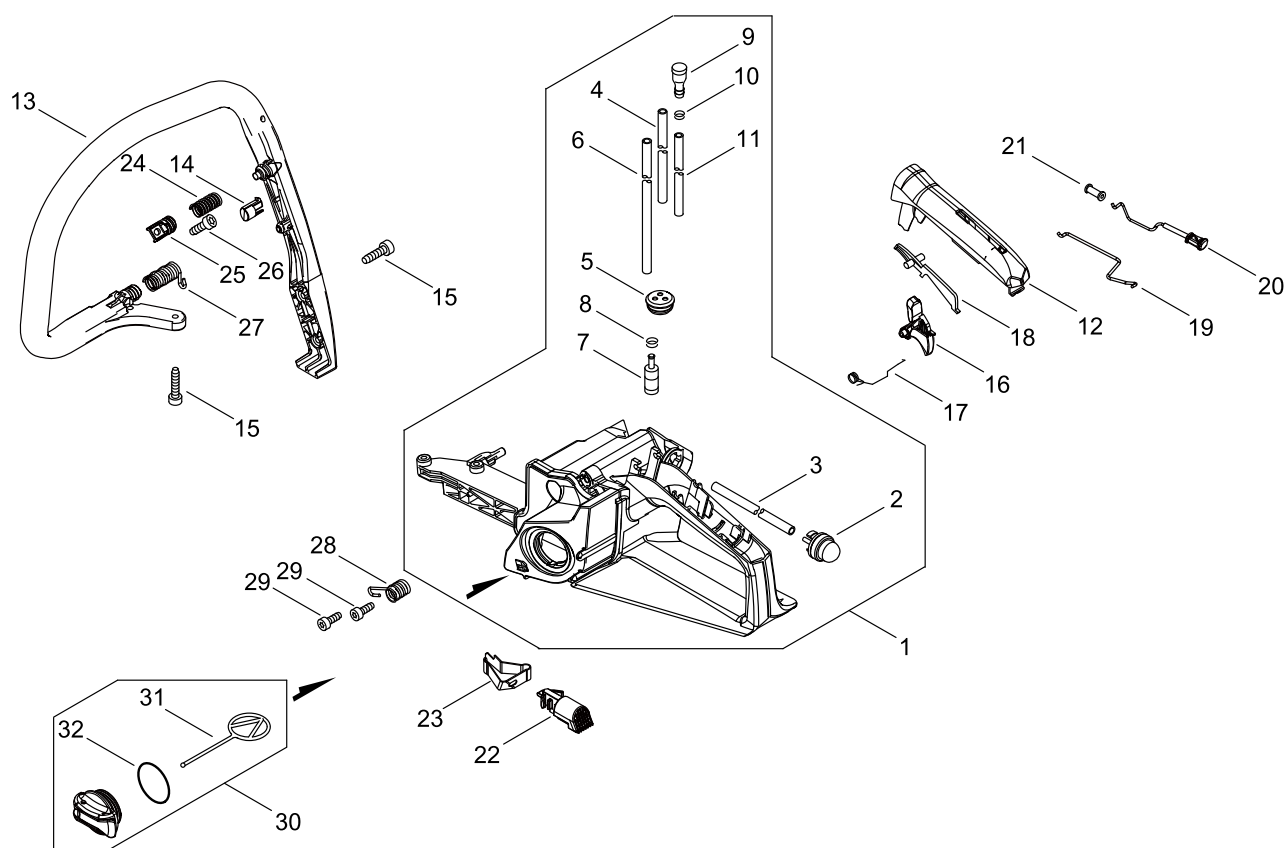
RECOIL STARTER



RECOIL STARTER

KEY NO	LV(+)	Part No	Description	Qty	Standard	Comment
1		A051-003300	STARTER,RECOIL ASY	1	SI	
2	+	P022-050400	STARTER CASE	1		
3	+	P022-050410	DRUM, STARTER	1		
4	+	P022-050430	PLATE, CAM	1		
5	+	P022-050420	SPRING,DAMPER	1		
6	+	P022-001330	SPRING KIT, REWIND	1		
7	++	P022-033280	SPRING CASE	1		
8	+	177236-61830	SCREW	1		
9	+	P022-050440	ROPE, STARTER	1		
10	+	P022-050450	GRIP, STARTER	1		
11		A172-003290	COVER,FAN	1		
12		V805-000010	BOLT, TORX 5	3	TT-5*20 DG 10.9	
13		X503-014430	LABEL,MODEL	1	CS-4510ES	

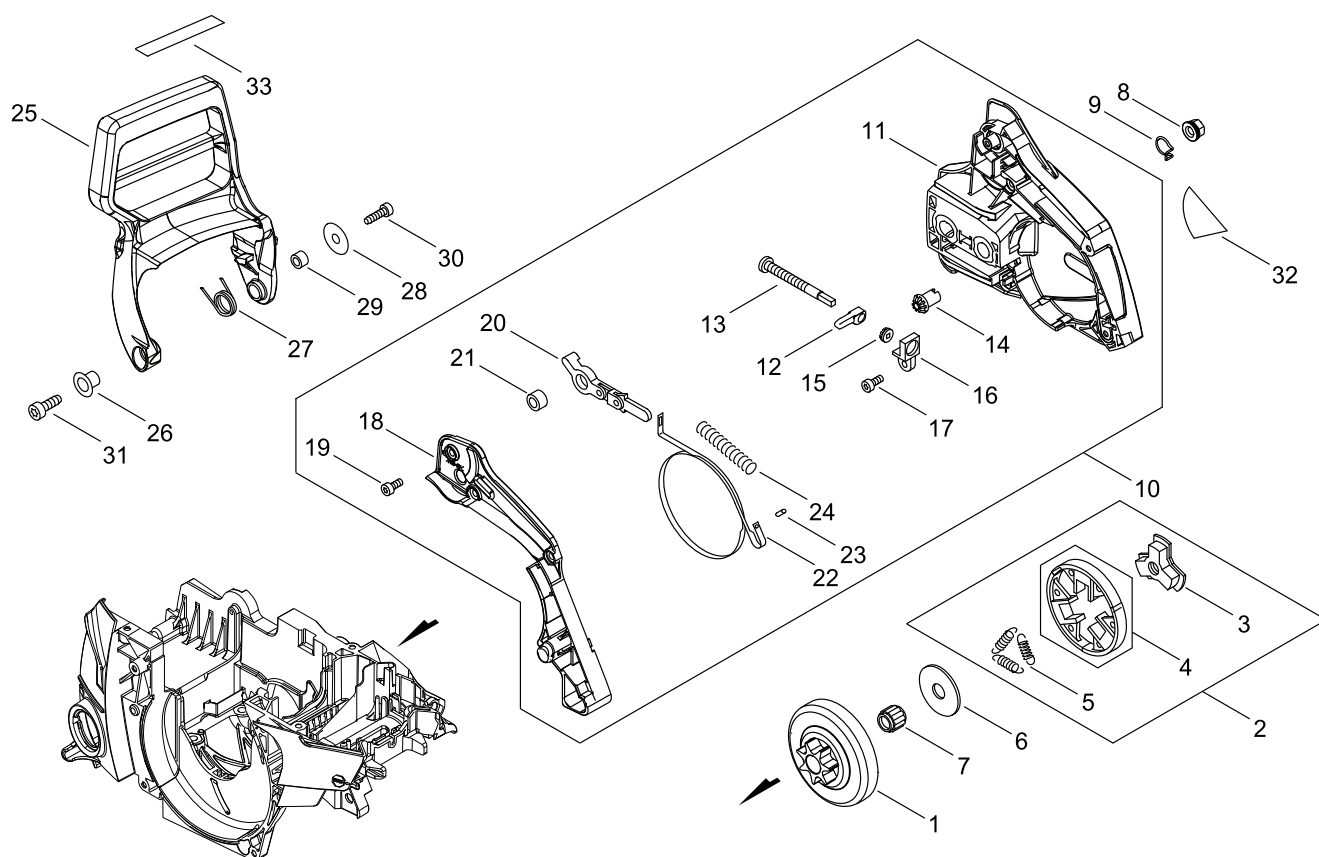
HANDLE



HANDLE

KEY NO	LV(+)	Part No	Description	Qty	Standard	Comment
1		P100-004630	REAR HANDLE ASY	1		
2	+	123181-39130	PUMP, PRIMER	1		
3	+	V471-005210	PIPE	1	2.4*5*165	
4	+	V471-001290	PIPE	1	2.4*5*75	
5	+	132115-55930	GROMMET, FUEL	1		
6	+	V471-005180	PIPE	1	3*5*300	
7	+	A369-000420	STRAINER, FUEL	1	ES-16499	
8	+	V490-001240	CLIP	1		
9	+	131300-56431	VENT ASSEMBLY, FUEL	1		
10	+	V490-001230	CLIP	1		
11	+	V471-005190	PIPE	1	3*6*49	
12		C411-000230	LID,HANDLE	1		
13		C400-001630	HANDLE, FRONT	1	GAI	
14		V420-005270	CUSHION	1	FOR FRONT HANDLE	
15		V805-000010	BOLT, TORX 5	4	TT-5*20 DG 10.9	
16		C450-001040	CONTROL, THROTTLE	1		
17		V452-000260	SPRING,TORSION	1		
18		178090-37930	LOCKOUT, T. CONTROL	1		
19		C454-000570	ROD, THROTTLE	1		
20		A241-000370	KNOB, CHOKE	1		
21		178810-14534	GROMMET	1		
22		A444-000120	KNOB, SWITCH	1		
23		V486-000540	TERMINAL,LEAD	1		
24		V450-002200	SPRING,COMPRESSION	1	CENTER	
25		V456-000240	HOLDER,SPRING	1		
26		V805-000140	BOLT, TORX 5	1	TB-5*12 10.9	
27		V450-002180	SPRING,COMPRESSION	1	FRONT	
28		V450-002190	SPRING,COMPRESSION	1	REAR TYPE2-A	
29		V805-000240	BOLT, TORX 5	2	TT-5*12 DG 10.9	
30		P100-004640	CAP,FUEL ASY	1		
31	+	A365-000050	CONNECTOR,CAP	1		
32	+	900720-20029	O-RING 29	1	P-29	

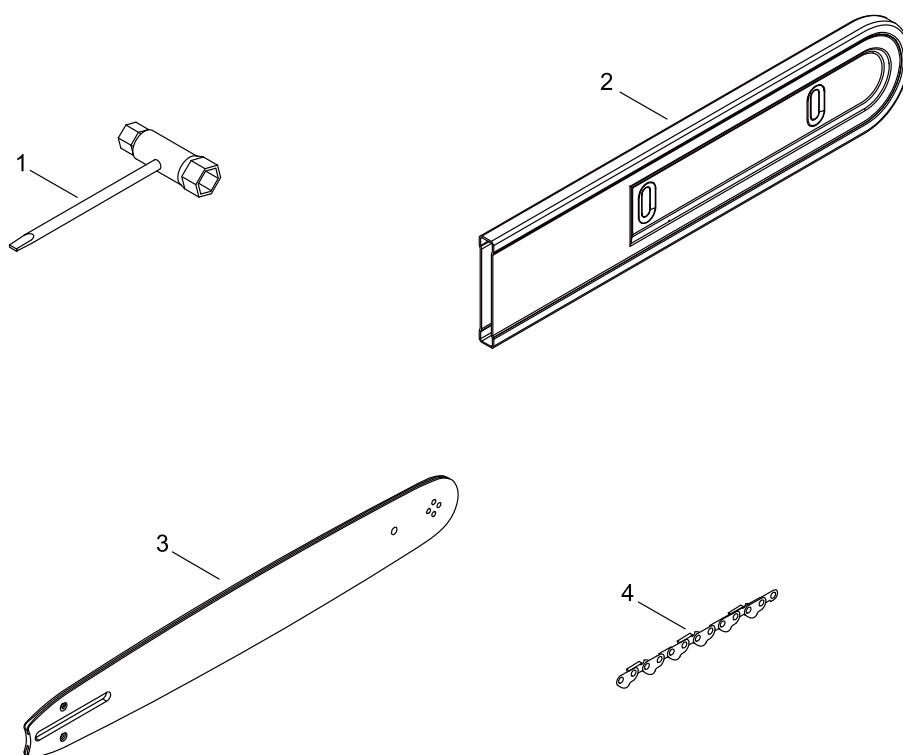
CHAIN BRAKE



CHAIN BRAKE

KEY NO	LV(+)	Part No	Description	Qty	Standard	Comment
1		A556-000481	DRUM, CLUTCH	1		
2		A056-000840	CLUTCH ASY	1		
3	+	A552-000470	HUB, CLUTCH	1		
4	+	P021-007051	CLUTCH SHOE SET	1		
5	+	V451-000500	SPRING,TENSION	3		
6		175019-39430	PLATE, CLUTCH	1		
7		V555-000170	BEARING,NEEDLE 10	1	8E- KV10*13*12.8	
8		V265-000550	NUT,8	2		
9		C649-000420	HOOK	2		
10		P100-004651	GUARD, SPROCKET ASY	1		
11	+	C300-001161	GUARD, SPROCKET	1		
12	+	C309-000070	TENSIONER, CHAIN	1		
13	+	V203-000110	BOLT,5	1		
14	+	V651-001040	GEAR,BEVEL	1		
15	+	V651-001050	GEAR,BEVEL	1		
16	+	V355-000140	COLLAR,8	1		
17	+	V804-000010	BOLT, TORX 4	1	TT-4*16 DG 10.9	
18	+	C345-000650	COVER,BRAKE	1		
19	+	V804-000010	BOLT, TORX 4	4	TT-4*16 DG 10.9	
20	+	C334-000100	CONNECTOR, BRAKE	1		
21	+	433116-35430	SPACER 8	1	8*12*9	
22	+	C328-000110	BAND, BRAKE	1		
23	+	900330-30120	PIN	1	3*12	
24	+	V450-000070	SPRING,COMPRESSION	1		
25		C320-000530	LEVER, BRAKE	1		
26		V356-000430	COLLAR,10	1		
27		V452-001281	SPRING,TORSION	1		
28		177214-03930	WASHER	1		
29		433116-35430	SPACER 8	1	8*12*9	
30		V804-000010	BOLT, TORX 4	1	TT-4*16 DG 10.9	
31		V805-000010	BOLT, TORX 5	1	TT-5*20 DG 10.9	
32		X502-001050	LABEL,ECHO	1	D SIDE	
33		X505-010150	LABEL,CAUTION	1	CE CAUTION	

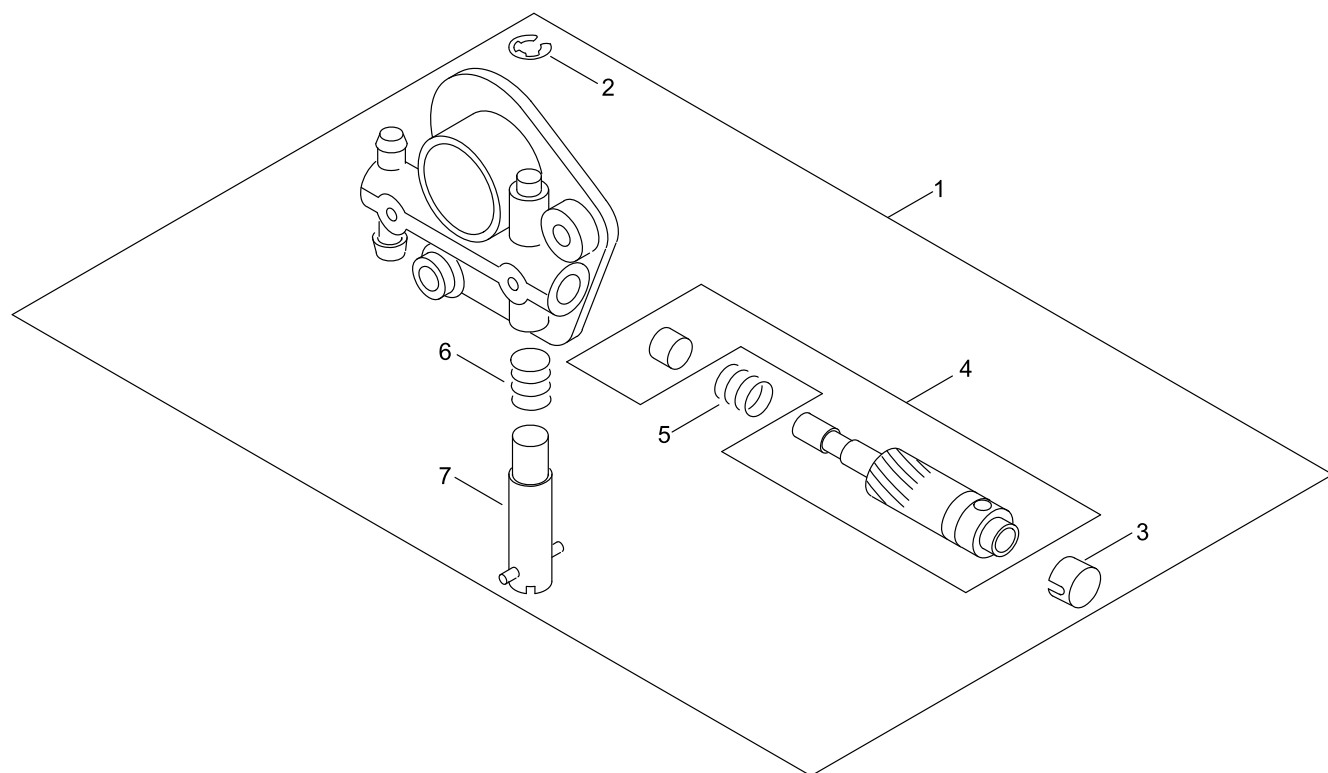
ACCESSORIES



ACCESSORIES

KEY NO	LV(+)	Part No	Description	Qty	Standard	Comment
1		X602-000080	TOOL,WRENCH	1	13*19 L180	
2		X490-000490	SCABBARD,CHAIN	1		
3		X123-000620	BAR,GUIDE 35	1	Y38S21-64ML- ED	
4		431721-30231	CHAIN, SAW	1	21BPX-64E	


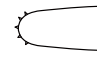
OILER



OILER

KEY NO	LV(+)	Part No	Description	Qty	Standard	Comment
1		C022-000010	OILER,ASM AUTO	1		
2	+	125327-15130	CLIP	1		
3	+	P022-010640	CAP, OIL PUMP	1		
4	+	P022-010650	PLUNGER	1		
5	+	P022-010660	SPRING	1		
6	+	P022-010670	SPRING	1		
7	+	P022-010680	SCREW ASS'Y, ADJUST	1		

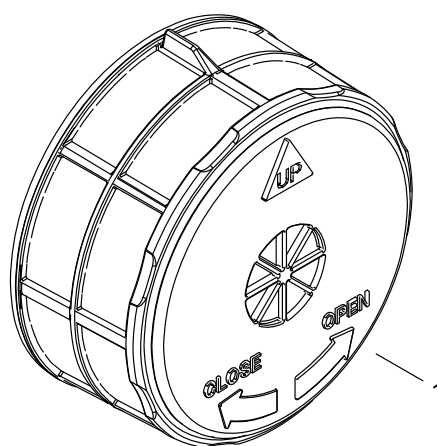
GUIDE BAR, CHAIN

Pitch ピッチ (inch) (mm)	Gauge ゲージ (inch) (mm)	Length 長さ (cm)	Guide Bar ガイドバー		Saw Chain ソーチェン		Hard Nose ハード ノーズ 	Sprocket Nose スプロケット ノーズ 
			Key	Type 形式	Key	Type 形式		
.325 8.26	0.058 1.47	33	A1	Y33S21-56ML- ED	A2	21BPX-56E		●
.325 8.26	0.058 1.47	38	B1	Y38S21-64ML- ED	B2	21BPX-64E		●
.325 8.26	0.058 1.47	45	C1	Y45S21-72ML- ED	C2	21BPX-72E		●
.325 8.26	0.058 1.47	50	D1	Y50S21-80AL- ED	D2	21BPX-80E		●
.325 8.26	0.058 1.47	38	E1	Y38R21-64AA- ET	E2	21BPX-64E		●
.325 8.26	0.058 1.47	45	F1	Y45R21-72AA- ET	F2	21BPX-72E		●
.325 8.26	0.058 1.47	50	G1	Y50R21-80AA- ET	G2	21BPX-80E		●

GUIDE BAR, CHAIN

KEY NO	LV(+)	Part No	Description	Qty	Standard	Comment
A1		X122-000390	BAR,GUIDE 30	1	Y33S21-56ML-ED	
A2		431713-30231	CHAIN, SAW 21BPX-56E	1	21BPX-56E	
B1		X123-000620	BAR,GUIDE 35	1	Y38S21-64ML-ED	
B2		431721-30231	CHAIN, SAW	1	21BPX-64E	
C1		X125-000390	BAR,GUIDE 45	1	Y45S21-72ML-ED	
C2		431717-30231	CHAIN, SAW	1	21BPX-72E	
D1		X126-000300	BAR,GUIDE 50	1	Y50S21-80AL-ED	
D2		431712-30231	CHAIN, SAW	1	21BPX-80E	
E1		X123-000650	BAR,GUIDE 35	1	Y38R21-64AA-ET	
E2		431721-30231	CHAIN, SAW	1	21BPX-64E	
F1		X125-000420	BAR,GUIDE 45	1	Y45R21-72AA-ET	
F2		431717-30231	CHAIN, SAW	1	21BPX-72E	
G1		X126-000320	BAR,GUIDE 50	1	Y50R21-80AA-ET	
G2		431712-30231	CHAIN, SAW	1	21BPX-80E	

OPTION PARTS



OPTION PARTS

KEY NO	LV(+)	Part No	Description	Qty	Standard	Comment
1		A226-002190	ELEMENT, AIR FILTER	1	OUT/IN:#300/ #80	

NUMERICAL PARTS INDEX

Part No	Part description	Page	Part No	Part description	Page	Part No	Part description	Page
100013-39730	PIN, PISTON	2	A160-003430	COVER,CYLINDER	4	P005-000410	PLUG, WELCH	10
100014-17330	SPACER, PISTON PIN	2	A161-000350	DUCT, AIR	8	P005-000860	SCREEN, FUEL INLET	10
100142-12330	KEY, WOODRUFF	6	A161-000360	DUCT, AIR	8	P005-001110	DIAPHRAGM, PUMP	10
123181-39130	PUMP, PRIMER	16	A161-000370	DUCT, AIR	4	P005-003190	DIAPHRAGM ,METERING	10
125310-13930	SCREW	10	A172-003290	COVER,FAN	14	P005-003200	GASKET, METERING	10
125314-51230	SCREW	10	A200-001150	INSULATOR, INTAKE	8	P005-003210	COVER, METERING	10
125322-13930	SPRING, COIL	10	A200-001160	INSULATOR, INTAKE	8	P005-003820	RETAINER, SHAFT	10
125323-08260	ARM, VALVE	10	A202-000310	BELLOWS, INTAKE	8	P005-003840	SCREW	10
125325-08360	GASKET, PUMP	10	A202-000320	BELLOWS, INTAKE	8	P005-004030	VALVE, INLET NEEDLE	10
125327-15130	CLIP	22	A203-000090	SEAL	2	P005-004060	NOZZLE, CHECK VALVE	10
125338-13930	PIN, METERING ARM	10	A225-000730	CASE,CLEANER	8	P005-004070	SHAFT ASY,THROTTLE	10
125348-13930	SCREW	10	A226-002150	ELEMENT, AIR FILTER	8	P005-004080	LEVER, THROTTLE	10
125363-12820	RETAINER	10	A226-002190	ELEMENT, AIR FILTER	26	P005-004090	SPRING, RETURN	10
125378-13930	PIECE, FRICTION	10	A232-001940	LID,CLEANER	8	P005-004100	VALVE, THROTTLE	10
131300-56431	VENT ASSEMBLY, FUEL	16	A235-000440	KNOB,CLEANER LID	8	P005-004110	COVER, PUMP	10
132115-01461	GROMMET	2	A241-000370	KNOB, CHOKE	16	P005-004120	SCREW, THROTTLEADJUST	10
132115-55930	GROMMET, FUEL	16	A310-000500	SCREEN, ARRESTOR	12	P005-004130	SCREW	10
145711-60631	STAY, MUFFLER	12	A365-000050	CONNECTOR,CAP	4	P005-004160	SCREW,MAIN MIXTURE	10
150117-16430	SPACER	6	A365-000050	CONNECTOR,CAP	16	P005-004170	SCREW,IDLE MIXTURE	10
175019-39430	PLATE, CLUTCH	18	A369-000420	STRAINER, FUEL	16	P005-004180	SHAFT, CHOKE ASY	10
177214-03930	WASHER	18	A409-001330	ROTOR, MAGNETO	6	P005-004190	LEVER, CHOKE	10
177234-35430	SPRING, RETURN	6	A411-001740	COIL, IGNITION	6	P005-004200	VALVE, CHOKE	10
177236-61830	SCREW	14	A425-000000	SPARKPLUG	6	P005-004210	SPRING, RETURN	10
178090-37930	LOCKOUT, T. CONTROL	16	A426-000010	TERMINAL,SPARKPLUG	6	P021-007051	CLUTCH SHOE SET	18
178810-14534	GROMMET	16	A427-000190	CAP,SPARK PLUG	6	P022-001330	SPRING KIT, REWIND	14
431712-30231	CHAIN, SAW	24	A444-000120	KNOB, SWITCH	16	P022-010640	CAP, OIL PUMP	22
431713-30231	CHAIN, SAW 21BPX-56E	24	A514-000050	PAWL	6	P022-010650	PLUNGER	22
431717-30231	CHAIN, SAW	24	A552-000470	HUB, CLUTCH	18	P022-010660	SPRING	22
431721-30231	CHAIN, SAW	20	A556-000481	DRUM, CLUTCH	18	P022-010670	SPRING	22
431721-30231	CHAIN, SAW	24	C022-000010	OILER,ASM AUTO	2	P022-010680	SCREW ASS'Y, ADJUST	22
433116-35430	SPACER 8	18	C022-000010	OILER,ASM AUTO	22	P022-033280	SPRING CASE	14
436114-13930	VALVE, CHECK	4	C236-000160	COVER,OILER	2	P022-050400	STARTER CASE	14
900330-30120	PIN	18	C300-001161	GUARD, SPROCKET	18	P022-050410	DRUM, STARTER	14
900515-00008	NUT, FLANGE 8	6	C304-000320	SPIKED	4	P022-050420	SPRING,DAMPER	14
900720-20029	O-RING 29	4	C309-000070	TENSIONER, CHAIN	18	P022-050430	PLATE, CAM	14
900720-20029	O-RING 29	16	C310-000150	CATCHER, CHAIN	4	P022-050440	ROPE, STARTER	14
900724-00022	O-RING S-22	8	C320-000530	LEVER, BRAKE	18	P022-050450	GRIP, STARTER	14
900810-36202	BEARING, BALL 6202	2	C328-000110	BAND, BRAKE	18	P100-001900	STRAINER, OIL	2
A021-004810	CARBURETOR, DIAPHRAGM	8	C334-000100	CONNECTOR, BRAKE	18	P100-004570	CRANKCASE SET	2
A021-004810	CARBURETOR, DIAPHRAGM	10	C345-000650	COVER,BRAKE	18	P100-004580	PISTON KIT	2
A051-003300	STARTER,RECOIL ASY	14	C400-001630	HANDLE, FRONT	16	P100-004590	CRANKSHAFT ASY	2
A056-000840	CLUTCH ASY	18	C411-000230	LID,HANDLE	16	P100-004600	COVER ENGINE ASY	4
A101-000710	RING, PISTON	2	C450-001040	CONTROL, THROTTLE	16	P100-004610	CAP,OIL ASY	4
A160-003360	COVER,CYLINDER	4	C454-000570	ROD, THROTTLE	16	P100-004620	MUFFLER ASY	12
			C649-000420	HOOK	18			

NUMERICAL PARTS INDEX

Part No	Part description	Page	Part No	Part description	Page
P100-004630	REAR HANDLE ASY	16	V582-000280	RING,SNAP	8
P100-004640	CAP,FUEL ASY	16	V651-001040	GEAR,BEVEL	18
P100-004651	GUARD, SPROCKET ASY	18	V651-001050	GEAR,BEVEL	18
V104-002340	GASKET,EXHAUST	12	V652-000030	GEAR,WORM	2
V187-000010	NIPPLE	2	V804-000000	BOLT, TORX 4	2
V203-000110	BOLT,5	18	V804-000000	BOLT, TORX 4	8
V203-002250	BOLT,5	6	V804-000010	BOLT, TORX 4	18
V203-002380	BOLT,5	4	V804-000030	BOLT, TORX 4	12
V225-000370	BOLT,STUD 8	4	V804-000050	BOLT, TORX 4	8
V265-000550	NUT,8	18	V805-000010	BOLT, TORX 5	4
V308-000030	WASHER,CIRCULAR 11	2	V805-000010	BOLT, TORX 5	14
V355-000140	COLLAR,8	18	V805-000010	BOLT, TORX 5	16
V356-000390	COLLAR,10	2	V805-000010	BOLT, TORX 5	18
V356-000430	COLLAR,10	18	V805-000040	BOLT, TORX 5	8
V420-001790	CUSHION	4	V805-000140	BOLT, TORX 5	2
V420-005250	CUSHION	8	V805-000140	BOLT, TORX 5	16
V420-005260	CUSHION	8	V805-000210	BOLT, TORX 5	6
V420-005270	CUSHION	16	V805-000240	BOLT, TORX 5	16
V450-000070	SPRING,COMPRESSION	18	V805-000250	BOLT, TORX 5	2
V450-002180	SPRING,COMPRESSION	16	V805-000250	BOLT, TORX 5	12
V450-002190	SPRING,COMPRESSION	16	V805-000270	BOLT, TORX 5	4
V450-002200	SPRING,COMPRESSION	16	X122-000390	BAR,GUIDE 30	24
V451-000500	SPRING,TENSION	18	X123-000620	BAR,GUIDE 35	20
V452-000260	SPRING,TORSION	16	X123-000620	BAR,GUIDE 35	24
V452-001281	SPRING,TORSION	18	X123-000650	BAR,GUIDE 35	24
V453-000260	SPRING,FLAT	8	X125-000390	BAR,GUIDE 45	24
V456-000240	HOLDER,SPRING	16	X125-000420	BAR,GUIDE 45	24
V471-000760	PIPE	8	X126-000300	BAR,GUIDE 50	24
V471-001290	PIPE	16	X126-000320	BAR,GUIDE 50	24
V471-005180	PIPE	16	X490-000490	SCABBARD,CHAIN	20
V471-005190	PIPE	2	X502-001050	LABEL,ECHO	18
V471-005190	PIPE	16	X502-001060	LABEL,ECHO	4
V471-005200	PIPE	2	X503-014430	LABEL,MODEL	14
V471-005210	PIPE	16	X503-014630	LABEL,MODEL	8
V475-009180	TUBE	6	X505-010150	LABEL,CAUTION	18
V485-002960	LEAD	6	X510-001050	LABEL,SWITCH	4
V485-002970	LEAD	6	X602-000080	TOOL,WRENCH	20
V486-000540	TERMINAL,LEAD	16			
V490-001230	CLIP	2			
V490-001230	CLIP	16			
V490-001240	CLIP	16			
V508-000110	SEAL,OIL 15	2			
V555-000140	BEARING,NEEDLE	2			
V555-000170	BEARING,NEEDLE 10	18			
V580-000010	RING,END	2			