



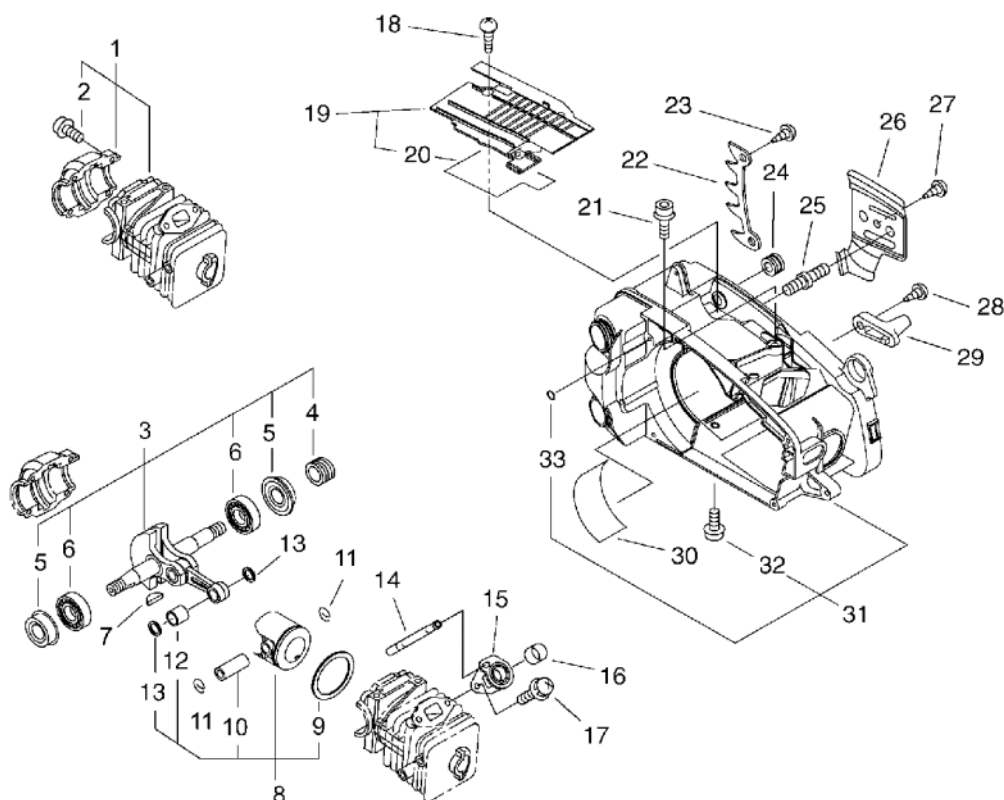
PARTS CATALOGUE

CHAIN SAW CS-350W

CS-350W

1. Cylinder, Crankcase, Piston

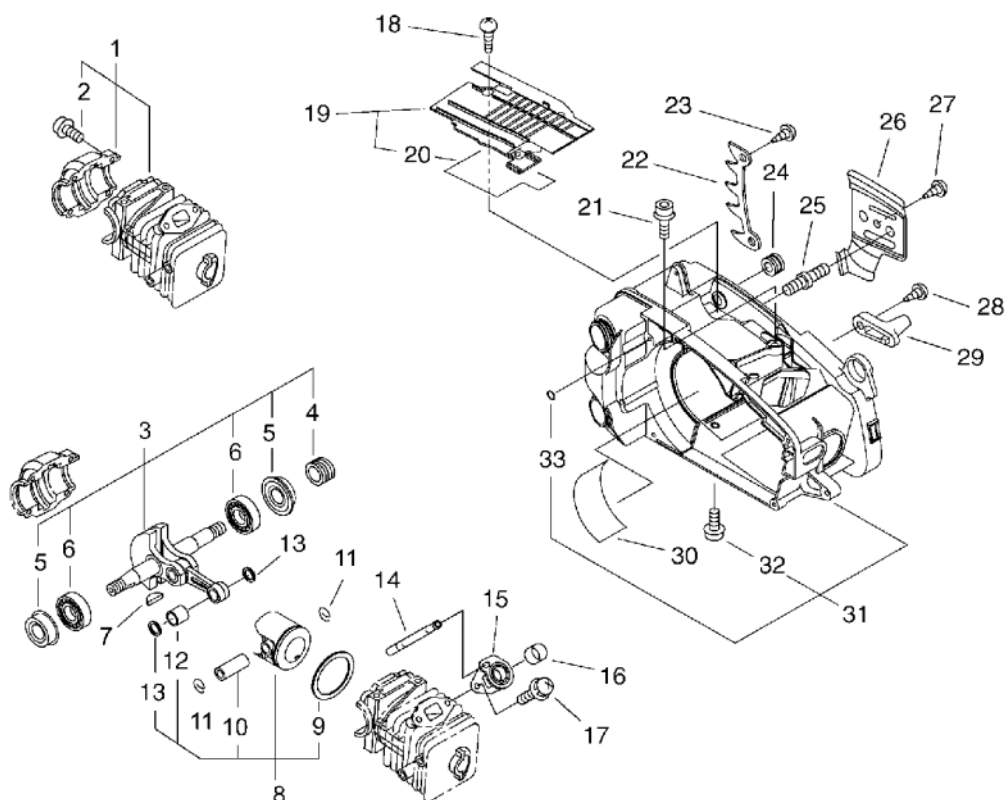
No.1



KEY	LV	PART NUMBER	Q'TY	DESCRIPTION	REMARKS	NOTE1	NOTE2
1		P021-009250	1	CRANKCASE SET			
2	+	900162-05025	4	BOLT, H.S. 5*25	5*25 W,SW		
3		P021-005512	1	CRANKSHAFT ASY		Sus. by P021-005513	
3		P021-005513	1	CRANKSHAFT ASY			
4	+	V652-000010	1	GEAR,WORM			
5	+	V505-000010	2	SEAL,OIL 12			
6	+	94035-36201	2	BEARING BALL	6201X3JR2C3		
7		100142-12330	1	KEY, WOODRUFF			
8		P021-009230	1	PISTON KIT			
9	+	A101-000120	1	RING,PISTON	BF R0.2		
10	+	100013-15330	1	PIN, PISTON	5.5*8*29		
11	+	100015-04630	2	CIRCLIP, PISTON PIN			
12	+	V553-000040	1	BEARING,NEEDLE 8	8E- KV8X11X11.8XS		
13	+	100014-60930	2	SPACER, PISTON PIN			
14		V470-000481	1	PIPE	3*7*65		
15		A202-000032	1	BELLOWS,INTAKE		Disuse CHINA	
16		V359-000060	1	COLLAR,16			
17		91420-05012	2	SCREW	5*12		
18		900253-04012	2	SCREW	4*12		
19		P021-008741	1	DUSTCOVER SET			
20	+	V341-000040	1	WASHER,SQUARE			
21		900106-05020	2	BOLT, H.S. 5*20	5*20		
22		C304-000000	1	SPIKE			

1. Cylinder, Crankcase, Piston

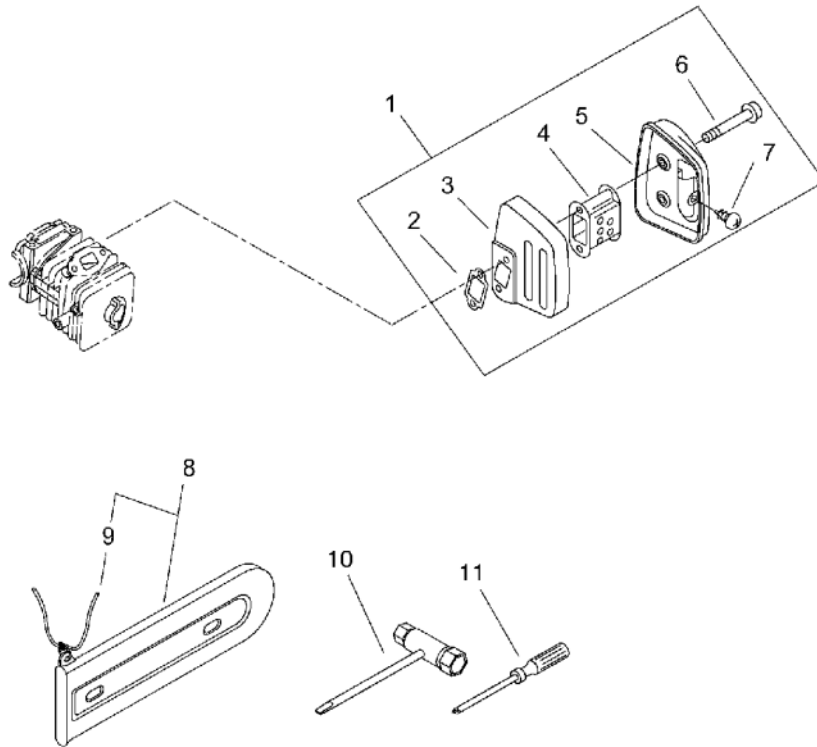
No.1



KEY	LV	PART NUMBER	Q'TY	DESCRIPTION	REMARKS	NOTE1	NOTE2
23		900253-05020	1	SCREW 5*20	5*20		
24		163911-30130	1	PLUG			
25		433011-03931	2	STUD, GUIDE BAR			
26		C305-000070	1	PLATE, SPROCKET GUARD		Sus. by C305-000080	
26		C305-000080	1	PLATE, SPROCKET GUARD	T0.3		
27		900253-04010	1	SCREW 4*10	4*10		
28		900253-05020	1	SCREW 5*20	5*20		
29		433026-35430	1	CATCHER, CHAIN			
30		V420-001110	1	CUSHION			
31		P021-008675	1	COVER, ENGINE KIT		Sus. by P021-008676	
31		P021-008676	1	COVER, ENGINE KIT			
32	+	900106-05030	2	BOLT, H.S.H. 5*30	5*30		
33	+	900724-00004	1	O-RING (S-4)	S-4		

2. Muffler ,Tools

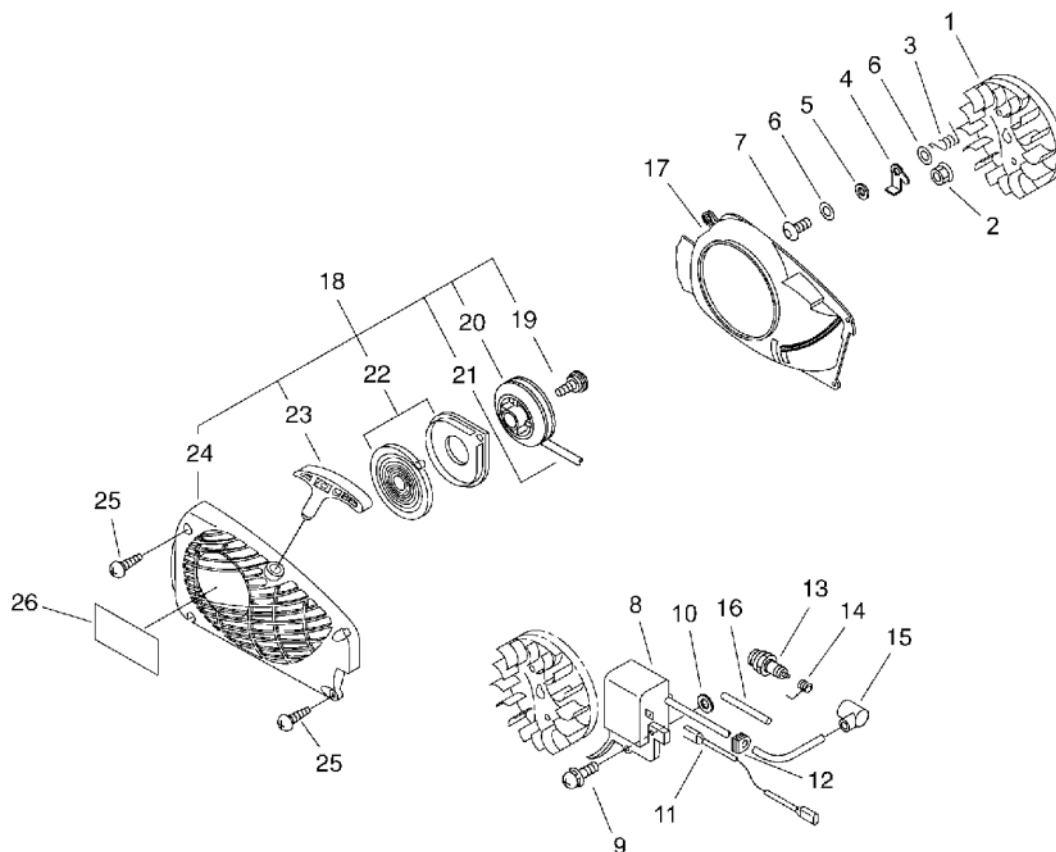
No.2



KEY	LV	PART NUMBER	Q'TY	DESCRIPTION	REMARKS	NOTE1	NOTE2
1		P021-009930	1	MUFFLER ASY			
2	+	145510-13931	1	GASKET, MUFFLER			
3	+	A300-000370	1	MUFFLER, EXHAUST			
4	+	A301-000000	1	PLATE, MUFFLER			
5	+	A303-000041	1	LID, MUFFLER			
6	+	91107-05040	2	BOLT HSH FLANGE	5*40		
7	+	900250-04008	1	SCREW 4*8	4*8		
8		P021-006951	1	SCABBARD, CHAIN	(ORANGE)		
9	+	898568-14530	1	ROPE	5*900		
10		895410-03930	1	WRENCH, W/S. DRIVER			
11		895812-03930	1	DRIVER, SCREW 50			

3. Starter, Magneto

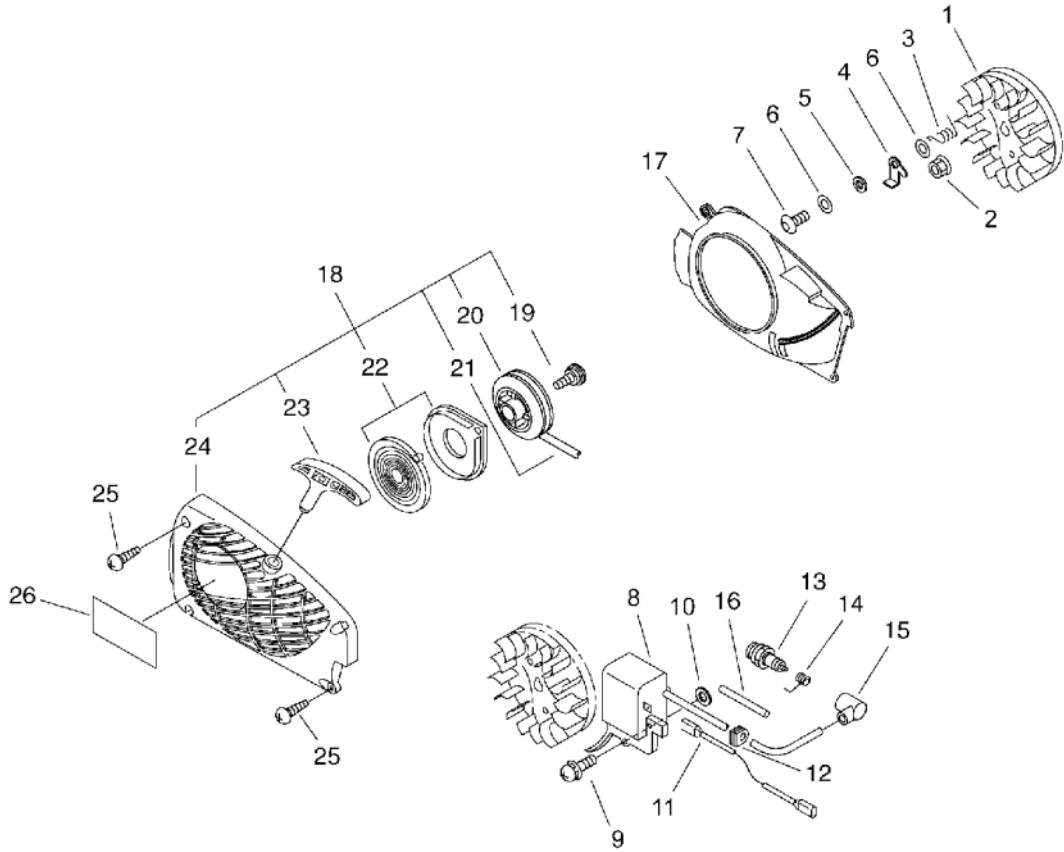
No.3



KEY	LV	PART NUMBER	Q'TY	DESCRIPTION	REMARKS	NOTE1	NOTE2
1		A409-000170	1	ROTOR,MAGNETO			
2		900515-00008	1	NUT, FLANGE 8	8		
3		177234-35430	2	SPRING, RETURN			
4		A514-000020	2	PAWL			
5		177247-04630	2	SPACER, RATCHET	5.2*8*2.1		
6		900603-00005	4	WASHER 5	5.5*12*0.8		
7		V203-000080	2	BOLT,5	5*14		
8		A411-000150	1	COIL,IGNITION			
9		900238-05022	2	SCREW 5*22	5*22		
10		150117-16430	2	SPACER			
11		V485-000550	1	LEAD	AMP-187 AMP-250		
12		156110-04920	1	BUSHING			
13		159010-10230	1	PLUG, SPARK (BPMR-7A	BPMR-7A		
14		A426-000000	1	TERMINAL,SPARKPLUG			
15		A427-000000	1	CAP, SPARK PLUG			
16		V475-002390	2	TUBE			
17		A172-000501	1	COVER,FAN			
18		A051-000990	1	STARTER,RECOIL ASY		Sus. byA051-000991	
18		A051-000991	1	STARTER,RECOIL ASY			
19	+	177236-44330	1	SCREW			
20	+	P022-010450	1	DRUM, STARTER			
21	+	P022-005900	1	ROPE, STARTER	3.0*920		
22	+	P022-001330	1	SPRING KIT, REWIND			
23	+	P022-005890	1	GRIP, STARTER			

3. Starter, Magneto

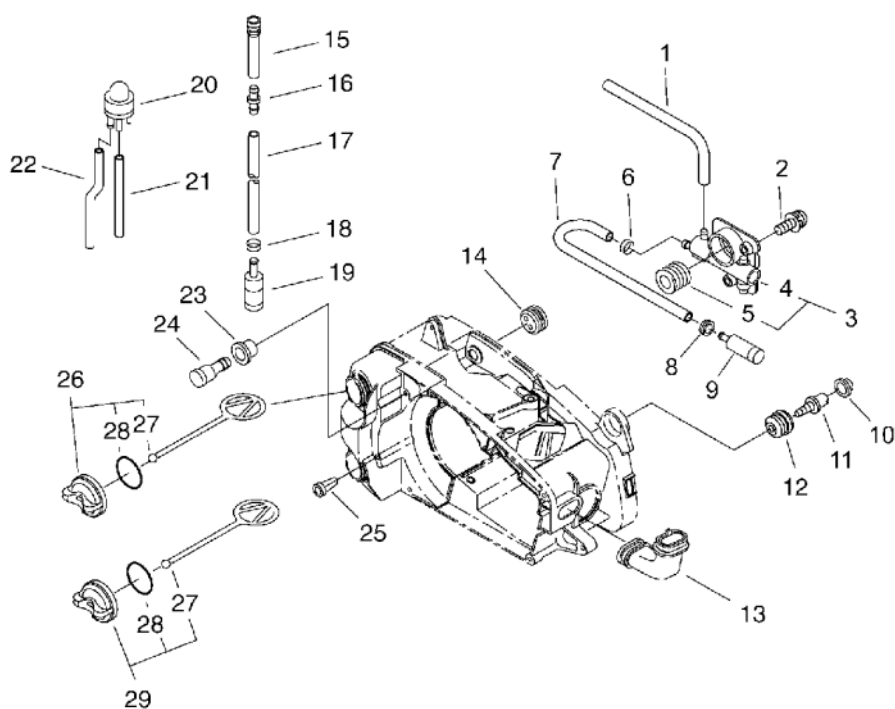
No.3



KEY	LV	PART NUMBER	Q'TY	DESCRIPTION	REMARKS	NOTE1	NOTE2
24	+	P022-009771	1	STARTER,RECOIL			
25		900256-04016	4	SCREW 4*16	4*16		
26		X502-000100	1	LABEL,ECHO			

4. Auto-Oiler

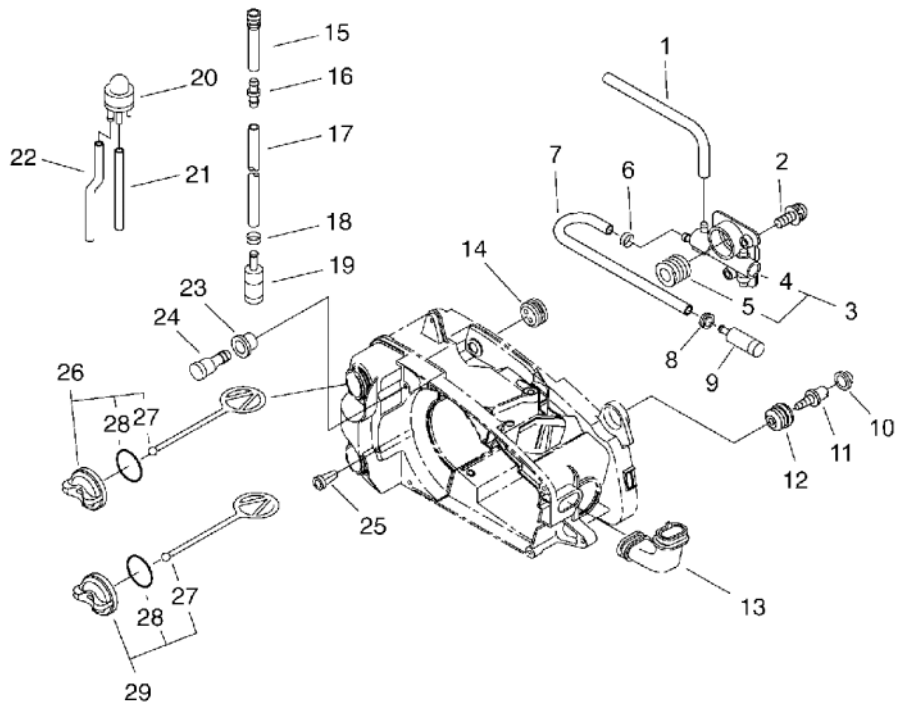
No.4



KEY	LV	PART NUMBER	Q'TY	DESCRIPTION	REMARKS	NOTE1	NOTE2
1		V471-000760	1	PIPE			
2		900238-04012	2	SCREW 4*12	4*12		
3		P021-001980	1	AUTO-OILER ASY			
4	+	C022-000000	1	OILER,ASM AUTO			
5	+	V652-000010	1	GEAR,WORM			
6		132013-26630	2	CLIP	6.5MM		
7		V471-000740	1	PIPE			
8		132115-01461	1	GROMMET			
9		436205-02832	1	STRAINER, OIL			
10		100918-15130	1	CAP			
11		V202-000020	1	BOLT,4			
12		100910-18830	1	CUSHION			
13		A239-000030	1	PIPE,INTAKE	L TYPE		
14		132115-44330	1	GROMMET			
15		V470-000320	1	PIPE			
16		V186-000020	1	JOINT,PIPE			
17		V471-000750	1	PIPE			
18		132013-09820	1	CLIP	6MM		
19		131205-14930	1	STRAINER,FUEL			
20		123181-39130	1	PUMP, PRIMER			
21		V471-001290	1	PIPE	2.4*5*75		
22		V471-001440	1	PIPE	2.4*5*295		
23		V137-000000	1	GROMMET,FUEL			
24		131300-56430	1	VALVE, CHECK			
25		436114-13930	1	VALVE, CHECK			
26		P021-005591	1	CAP ASY			

4. Auto-Oiler

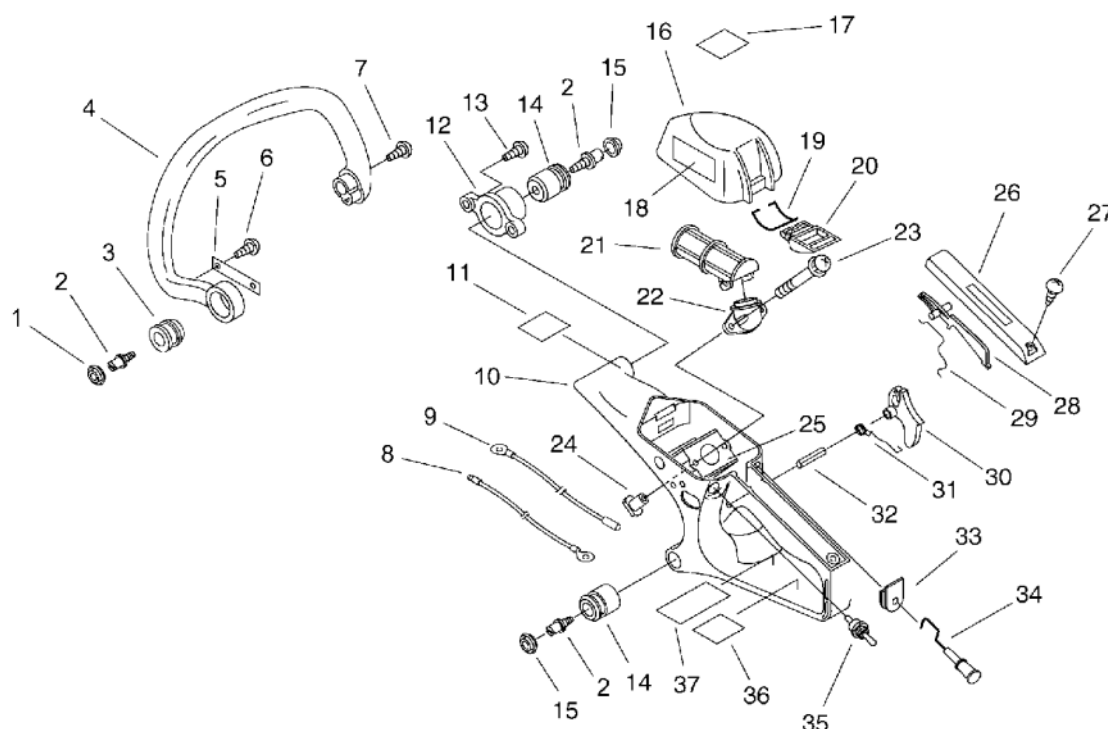
No.4



KEY	LV	PART NUMBER	Q'TY	DESCRIPTION	REMARKS	NOTE1	NOTE2
27	+	A365-000050	1	CONNECTOR,CAP			
28	+	900720-00018	1	O-RING 18	P-18		
29		P021-005581	1	OIL CAP ASY			
27	+	A365-000050	1	CONNECTOR,CAP			
28	+	900720-00018	1	O-RING 18	P-18		

5. Air Cleaner, Handle

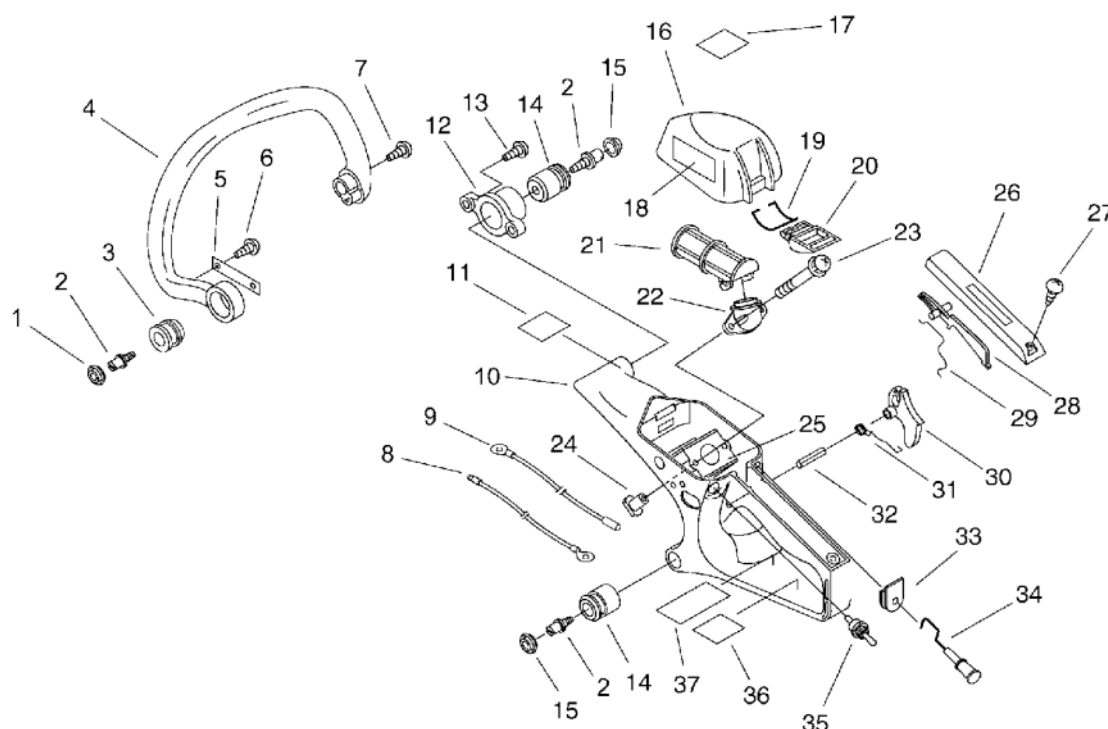
No.5



KEY	LV	PART NUMBER	Q'TY	DESCRIPTION	REMARKS	NOTE1	NOTE2
1		100918-14330	1	CAP, CUSHION			
2		V202-000020	3	BOLT,4			
3		V401-000120	1	CUSHION,5			
4		C400-000320	1	HANDLE,FRONT			
5		C617-000200	1	STOPPER			
6		900253-04008	1	SCREW 4*8	4*8		
7		900253-05020	2	SCREW 5*20	5*20		
8		V485-000571	1	LEAD			
9		V485-000560	1	LEAD	CB-104 LA-105		
10		C410-000250	1	HANDLE,REAR		Sus. by C410-000252	
10		C410-000251	1	HANDLE,REAR		Sus. by C410-000252	
10		C410-000252	1	HANDLE,REAR		Next Production CHINA	
10		A202-000033	1	BELLOWS,INTAKE		Next Production CHINA	
11		890345-39230	1	LABEL,CAUTION			
12		V424-000000	1	SLEEVE,CUSHION			
13		900253-04016	2	SCREW 4*16	4*16		
14		V400-000041	2	CUSHION,4	10MM		
15		100918-15130	2	CAP			
16		A232-000191	1	LID,CLEANER			
17		X503-007120	1	LABEL,MODEL	CS-350W		
18		X505-001340	1	LABEL,CAUTION			

5. Air Cleaner, Handle

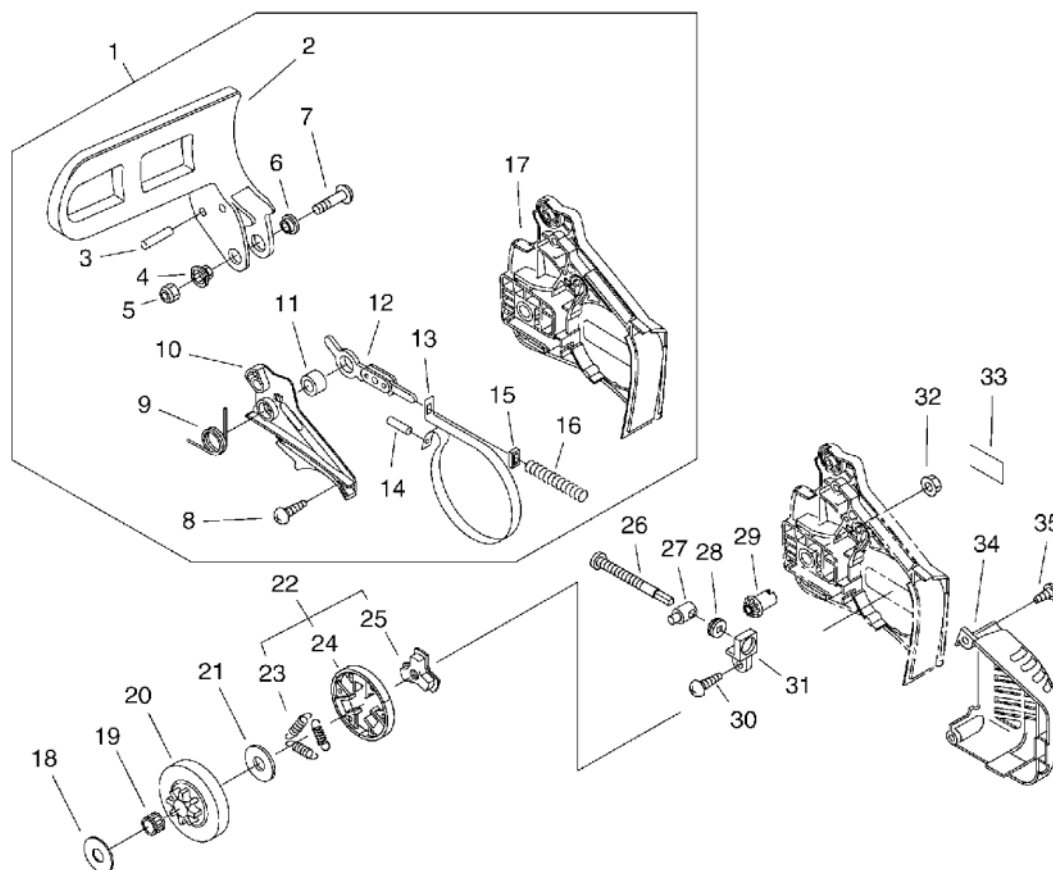
No.5



KEY	LV	PART NUMBER	Q'TY	DESCRIPTION	REMARKS	NOTE1	NOTE2
19		V582-000020	1	RING,SNAP	CSE2700		
20		A235-000140	1	KNOB,CLEANER LID			
21		A226-000330	1	ELEMENT, AIR FILTER			
22		A204-000060	1	ELBOW,CARBURETOR			
23		900238-05050	2	SCREW 5*50	5*50		
24		130020-33330	2	NUT			
25		A021-001240	1	CARBURETOR,DIAPHRAGM	WT-792	Sus. by A021-001241	
25		A021-001241	1	CARBURETOR,DIAPHRAGM	WT-792A		
26		C411-000000	1	LID,HANDLE		Sus. by C411-000001	
26		C411-000001	1	LID,HANDLE			
27		900253-04012	1	SCREW	4*12		
28		178090-37930	1	LOCKOUT, T. CONTROL			
29		C454-000110	1	ROD, THROTTLE			
30		C450-000140	1	TRIGGER,THROTTLE			
31		V452-000140	1	SPRING,TORSION		Sus. by 178043-35430	
31		178043-35430	1	SPRING, THR.RETURN			
32		900345-40025	1	PIN, SPRING 4*25SUS	4*25SUS		
33		V130-000010	1	GROMMET,CHOKE			
34		A241-000060	1	KNOB,CHOKE			
35		163400-38430	1	SWITCH, IGNITION			
36		890157-39130	1	LABEL, SWITCH			
37		X505-001350	1	LABEL,CAUTION			

6. Clutch, Sprocket

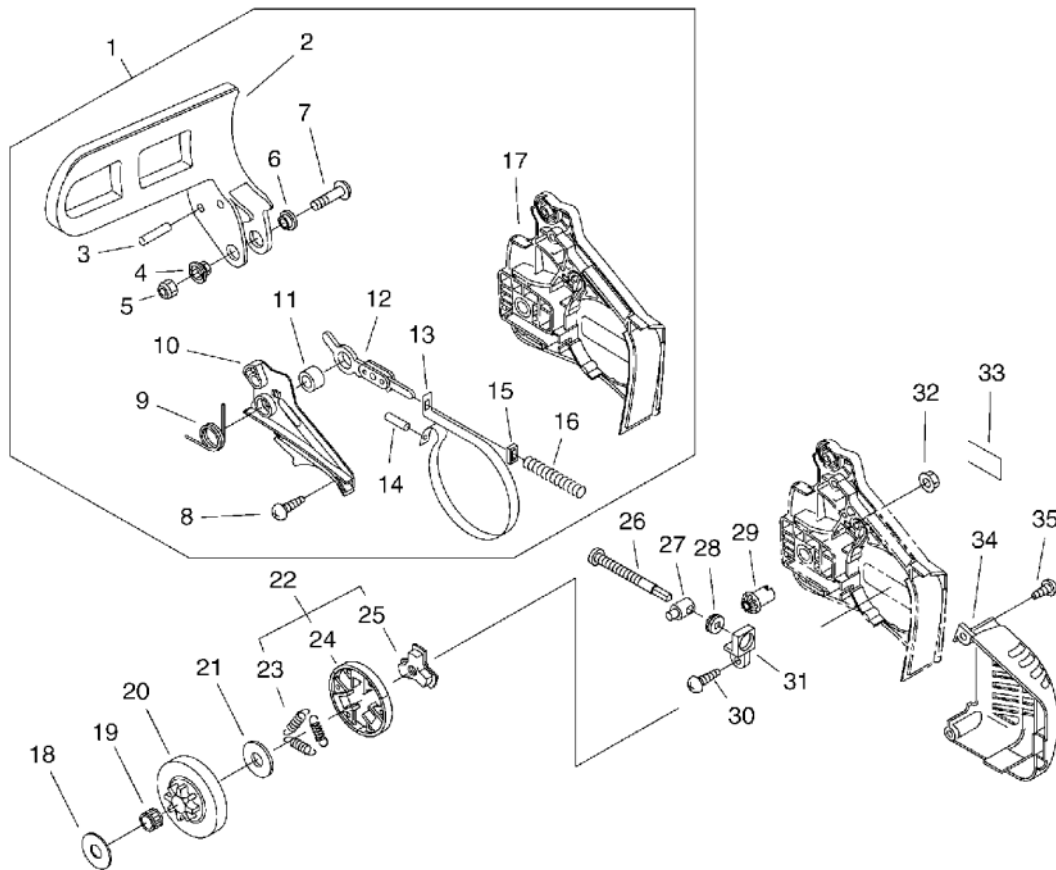
No.6



KEY	LV	PART NUMBER	Q'TY	DESCRIPTION	REMARKS	NOTE1	NOTE2
1		C032-000213	1	BRAKE,ASM CHAIN			
2	+	C320-000045	1	LEVER,BRAKE			
3	+	900330-30260	2	ROLLER 3*26	3*26		
4	+	V353-000060	1	COLLAR,5			
5	+	900562-50005	1	LOCKNUT 5	5		
6	+	433167-39130	1	SPACER			
7	+	91318-05032	1	SCREW	5*32		
8	+	900253-04012	3	SCREW	4*12		
9	+	V452-000110	1	SPRING,TORSION			
10	+	C345-000084	1	COVER,BRAKE			
11	+	433116-35430	1	SPACER 8	8*12*9		
12	+	C334-000070	1	CONNECTOR,BRAKE			
13	+	C328-000030	1	BAND,BRAKE			
14	+	93050-30098	1	ROLLER	F3*9.8		
15	+	V376-000450	1	SPACER			
16	+	V450-000070	1	SPRING,COMPRESSION			
17	+	C300-000241	1	GUARD,SPROCKET			
18		175014-39131	1	WASHER, CLUTCH	10.2*24.5*1.2		
19		175012-35630	1	BEARING, NEEDLE	10*13*10	Sus. by 175012-00831	
19		175012-00831	1	BEARING, NEEDLE			
20		175005-39132	1	DRUM, CLUTCH	3/8A		
21		A551-000010	1	PLATE,CLUTCH			
22		A056-000070	1	CLUTCH			
23	+	V451-000470	3	SPRING,TENSION			

6. Clutch, Sprocket

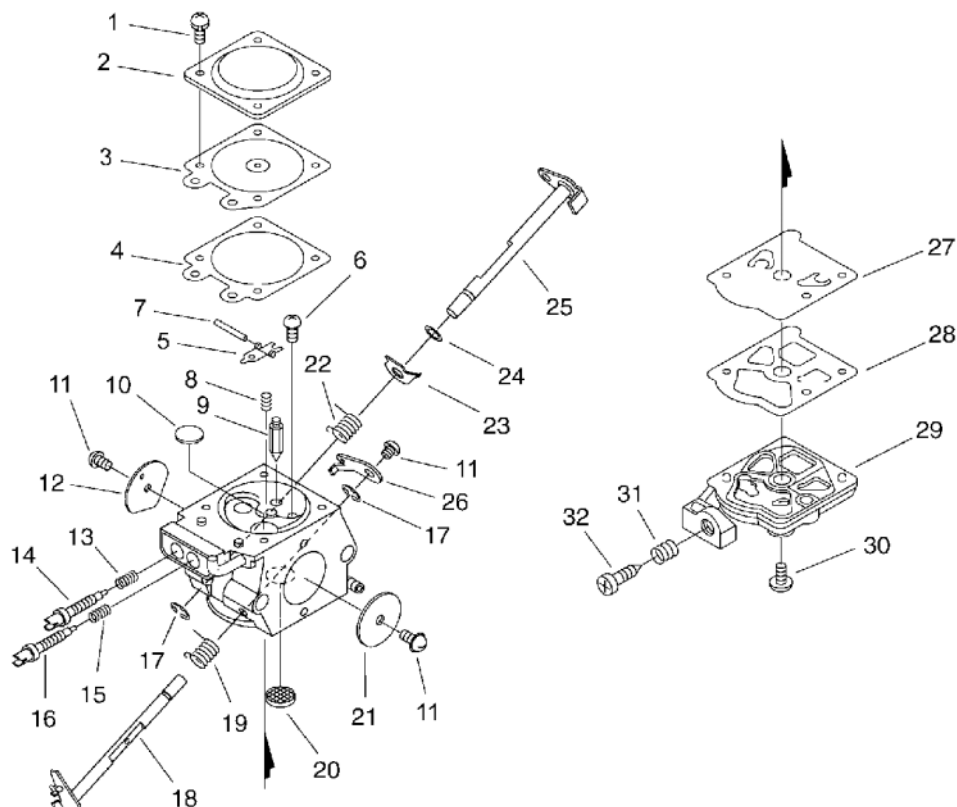
No.6



KEY	LV	PART NUMBER	Q'TY	DESCRIPTION	REMARKS	NOTE1	NOTE2
24	+	P021-005810	1	CLUTCH SHOE SET			
25	+	A552-000020	1	HUB,CLUTCH			
26		V203-000041	1	BOLT,5			
27		C309-000030	1	TENSIONER,CHAIN			
28		V651-000011	1	GEAR,BEVEL			
29		V651-000001	1	GEAR,BEVEL			
30		900253-04012	1	SCREW	4*12		
31		V355-000140	1	COLLAR,8			
32		433019-03933	2	NUT, FLANGE 6	6		
33		X502-000020	1	LABEL,ECHO			
34		A320-000183	1	COVER,MUFFLER			
35		900253-04016	2	SCREW 4*16	4*16		

7. Carburetor

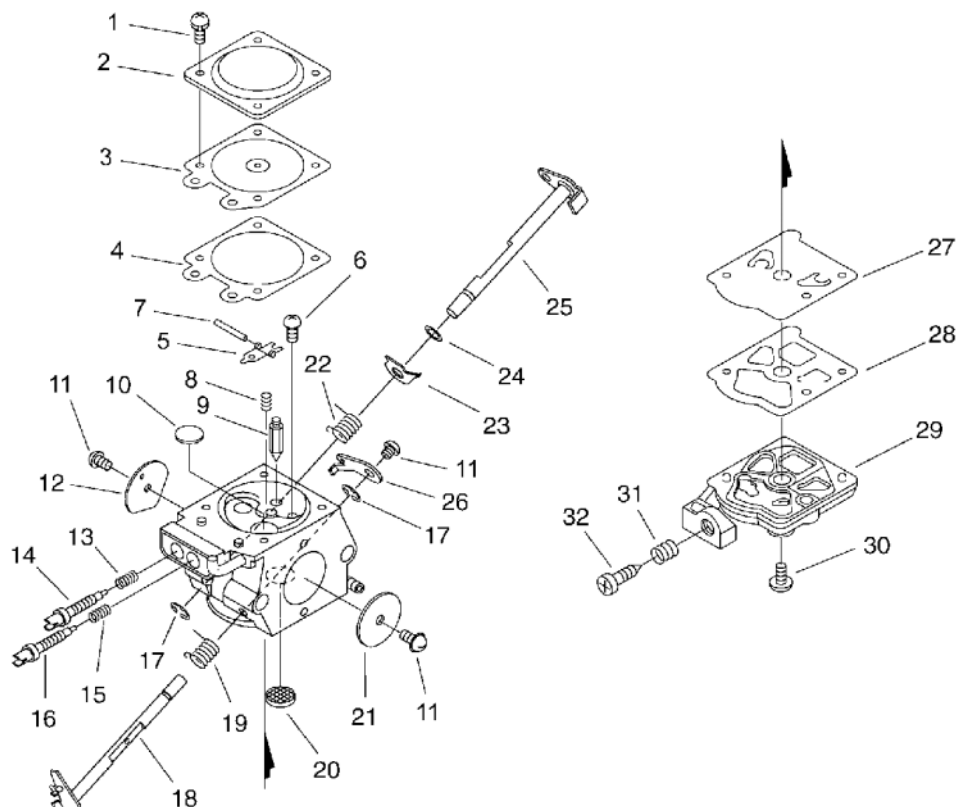
No.7



KEY	LV	PART NUMBER	Q'TY	DESCRIPTION	REMARKS	NOTE1	NOTE2
		A021-001240	1	CARBURETOR,DIAPHRAGM	WT-792	Sus. by A021-001241	
		A021-001241	1	CARBURETOR,DIAPHRAGM	WT-792A		
1	+	123130-02960	4	SCREW			
2	+	123142-03930	1	COVER, M. DIAPHRAGM			
3	+	123141-03930	1	DIAPHRAGM, METERING			
4	+	123140-27230	1	GASKET,M. DIAPHRAGM			
5	+	123123-03930	1	LEVER, METERING			
6	+	123139-03930	1	SCREW, M. LEVER PIN			
7	+	123138-03930	1	PIN, METERING LEVER			
8	+	123122-03660	1	SPRING, METER. LEVER			
9	+	123137-19830	1	VALVE, INLET NEEDLE			
10	+	123146-10631	1	PLUG, WELCH			
11	+	123114-38830	3	SCREW			
12	+	123132-35430	1	VALVE, CHOKE			
13	+	123119-22130	1	SPRING, NEEDLE			
14	+	P003-001340	1	NEEDLE POWER			
15	+	123121-22130	1	SPRING, NEEDLE			
16	+	P003-001330	1	NEEDLE IDLE			
17	+	123127-15030	2	RING			
18	+	P003-000480	1	SHAFT,THROTTLE			
19	+	123113-37530	1	SPRING, THROTTLE RTN			
20	+	123126-10631	1	SCREEN, INLET			
21	+	123116-10530	1	VALVE, THROTTLE			
22	+	P003-001470	1	SPRING			

7. Carburetor

No.7



KEY	LV	PART NUMBER	Q'TY	DESCRIPTION	REMARKS	NOTE1	NOTE2
23	+	P003-001480	1	LEVER-FAST IDLE		Sus. by P003-001510	
23	+	P003-001510	1	LEVER-FAST IDLE			
24	+	123149-26030	1	WASHER			
25	+	P003-001140	1	SHAFT, CHOKE			
26	+	P003-001040	1	LEVER THROTTLE			
27	+	123112-15030	1	DIAPHRAGM, FUEL PUMP			
28	+	123125-15030	1	GASKET, FUEL PUMP			
29	+	123124-24430	1	COVER, FUEL PUMP			
30	+	123110-03930	1	SCREW, PUMP COVER			
31	+	123133-04260	1	SPRING, IDLE ADJUST			
32	+	123134-04260	1	SCREW, IDLE ADJUST			

Index

Patrs Number	Key No.	Patrs Number	Key No.	Patrs Number	Key No.
100013-15330	1 - 10	175012-35630	6 - 19	93050-30098	6 - 14
100014-60930	1 - 13	175014-39131	6 - 18	94035-36201	1 - 6
100015-04630	1 - 11	177234-35430	3 - 3	A021-001240	5 - 25
100142-12330	1 - 7	177236-44330	3 - 19	A021-001240	7 -
100910-18830	4 - 12	177247-04630	3 - 5	A021-001241	5 - 25
100918-14330	5 - 1	178043-35430	5 - 31	A021-001241	7 -
100918-15130	4 - 10	178090-37930	5 - 28	A051-000990	3 - 18
100918-15130	5 - 15	433011-03931	1 - 25	A051-000991	3 - 18
123110-03930	7 - 30	433019-03933	6 - 32	A056-000070	6 - 22
123112-15030	7 - 27	433026-35430	1 - 29	A101-000120	1 - 9
123113-37530	7 - 19	433116-35430	6 - 11	A172-000501	3 - 17
123114-38830	7 - 11	433167-39130	6 - 6	A202-000032	1 - 15
123116-10530	7 - 21	436114-13930	4 - 25	A202-000033	5 - 10
123119-22130	7 - 13	436205-02832	4 - 9	A204-000060	5 - 22
123121-22130	7 - 15	890157-39130	5 - 36	A226-000330	5 - 21
123122-03660	7 - 8	890345-39230	5 - 11	A232-000191	5 - 16
123123-03930	7 - 5	895410-03930	2 - 10	A235-000140	5 - 20
123124-24430	7 - 29	895812-03930	2 - 11	A239-000030	4 - 13
123125-15030	7 - 28	898568-14530	2 - 9	A241-000060	5 - 34
123126-10631	7 - 20	900106-05020	1 - 21	A300-000370	2 - 3
123127-15030	7 - 17	900106-05030	1 - 32	A301-000000	2 - 4
123130-02960	7 - 1	900162-05025	1 - 2	A303-000041	2 - 5
123132-35430	7 - 12	900238-04012	4 - 2	A320-000183	6 - 34
123133-04260	7 - 31	900238-05022	3 - 9	A365-000050	4 - 27
123134-04260	7 - 32	900238-05050	5 - 23	A365-000050	4 - 27
123137-19830	7 - 9	900250-04008	2 - 7	A409-000170	3 - 1
123138-03930	7 - 7	900253-04008	5 - 6	A411-000150	3 - 8
123139-03930	7 - 6	900253-04010	1 - 27	A426-000000	3 - 14
123140-27230	7 - 4	900253-04012	1 - 18	A427-000000	3 - 15
123141-03930	7 - 3	900253-04012	5 - 27	A514-000020	3 - 4
123142-03930	7 - 2	900253-04012	6 - 8	A551-000010	6 - 21
123146-10631	7 - 10	900253-04012	6 - 30	A552-000020	6 - 25
123149-26030	7 - 24	900253-04016	5 - 13	C022-000000	4 - 4
123181-39130	4 - 20	900253-04016	6 - 35	C032-000213	6 - 1
130020-33330	5 - 24	900253-05020	1 - 23	C300-000241	6 - 17
131205-14930	4 - 19	900253-05020	1 - 28	C304-000000	1 - 22
131300-56430	4 - 24	900253-05020	5 - 7	C305-000070	1 - 26
132013-09820	4 - 18	900256-04016	3 - 25	C305-000080	1 - 26
132013-26630	4 - 6	900330-30260	6 - 3	C309-000030	6 - 27
132115-01461	4 - 8	900345-40025	5 - 32	C320-000045	6 - 2
132115-44330	4 - 14	900515-00008	3 - 2	C328-000030	6 - 13
145510-13931	2 - 2	900562-50005	6 - 5	C334-000070	6 - 12
150117-16430	3 - 10	900603-00005	3 - 6	C345-000084	6 - 10
156110-04920	3 - 12	900720-00018	4 - 28	C400-000320	5 - 4
159010-10230	3 - 13	900720-00018	4 - 28	C410-000250	5 - 10
163400-38430	5 - 35	900724-00004	1 - 33	C410-000251	5 - 10
163911-30130	1 - 24	91107-05040	2 - 6	C410-000252	5 - 10
175005-39132	6 - 20	91318-05032	6 - 7	C411-000000	5 - 26
175012-00831	6 - 19	91420-05012	1 - 17	C411-000001	5 - 26

Index

Patrs Number	Key No.	Patrs Number	Key No.	Patrs Number	Key No.
C450-000140	5 - 30	V470-000320	4 - 15		
C454-000110	5 - 29	V470-000481	1 - 14		
C617-000200	5 - 5	V471-000740	4 - 7		
P003-000480	7 - 18	V471-000750	4 - 17		
P003-001040	7 - 26	V471-000760	4 - 1		
P003-001140	7 - 25	V471-001290	4 - 21		
P003-001330	7 - 16	V471-001440	4 - 22		
P003-001340	7 - 14	V475-002390	3 - 16		
P003-001470	7 - 22	V485-000550	3 - 11		
P003-001480	7 - 23	V485-000560	5 - 9		
P003-001510	7 - 23	V485-000571	5 - 8		
P021-001980	4 - 3	V505-000010	1 - 5		
P021-005512	1 - 3	V553-000040	1 - 12		
P021-005513	1 - 3	V582-000020	5 - 19		
P021-005581	4 - 29	V651-000001	6 - 29		
P021-005591	4 - 26	V651-000011	6 - 28		
P021-005810	6 - 24	V652-000010	1 - 4		
P021-006951	2 - 8	V652-000010	4 - 5		
P021-008675	1 - 31	X502-000020	6 - 33		
P021-008676	1 - 31	X502-000100	3 - 26		
P021-008741	1 - 19	X503-007120	5 - 17		
P021-009230	1 - 8	X505-001340	5 - 18		
P021-009250	1 - 1	X505-001350	5 - 37		
P021-009930	2 - 1				
P022-001330	3 - 22				
P022-005890	3 - 23				
P022-005900	3 - 21				
P022-009771	3 - 24				
P022-010450	3 - 20				
V130-000010	5 - 33				
V137-000000	4 - 23				
V186-000020	4 - 16				
V202-000020	4 - 11				
V202-000020	5 - 2				
V203-000041	6 - 26				
V203-000080	3 - 7				
V341-000040	1 - 20				
V353-000060	6 - 4				
V355-000140	6 - 31				
V359-000060	1 - 16				
V376-000450	6 - 15				
V400-000041	5 - 14				
V401-000120	5 - 3				
V420-001110	1 - 30				
V424-000000	5 - 12				
V450-000070	6 - 16				
V451-000470	6 - 23				
V452-000110	6 - 9				
V452-000140	5 - 31				

YAMABIKO CORPORATION

7-2 SUEHIROCHO 1-CHOME, OHME, TOKYO 198-8760, JAPAN
PHONE: 81-428-32-6118. FAX: 81-428-32-6145.



350W
No.