



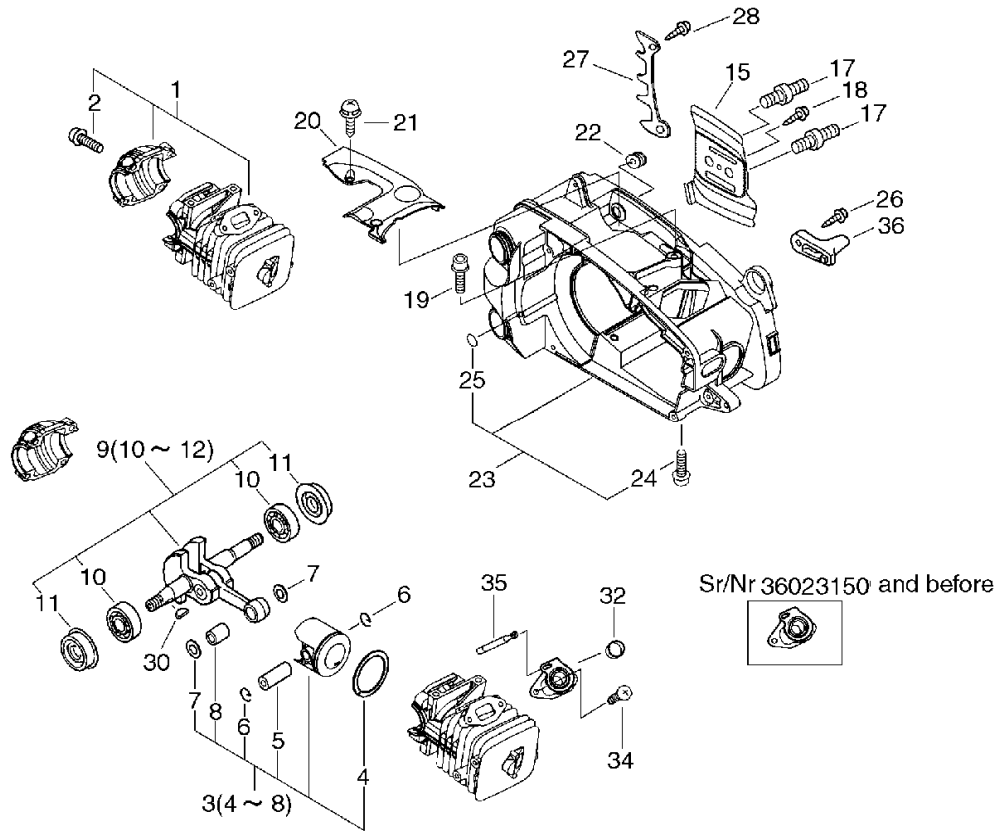
PARTS CATALOG

TOP HANDLE SAW CS-320TES(36)

- 36034570

CS-320TES(36)

1. Cylinder, Crankcase, Piston(Sr/Nr 36024680 and before)

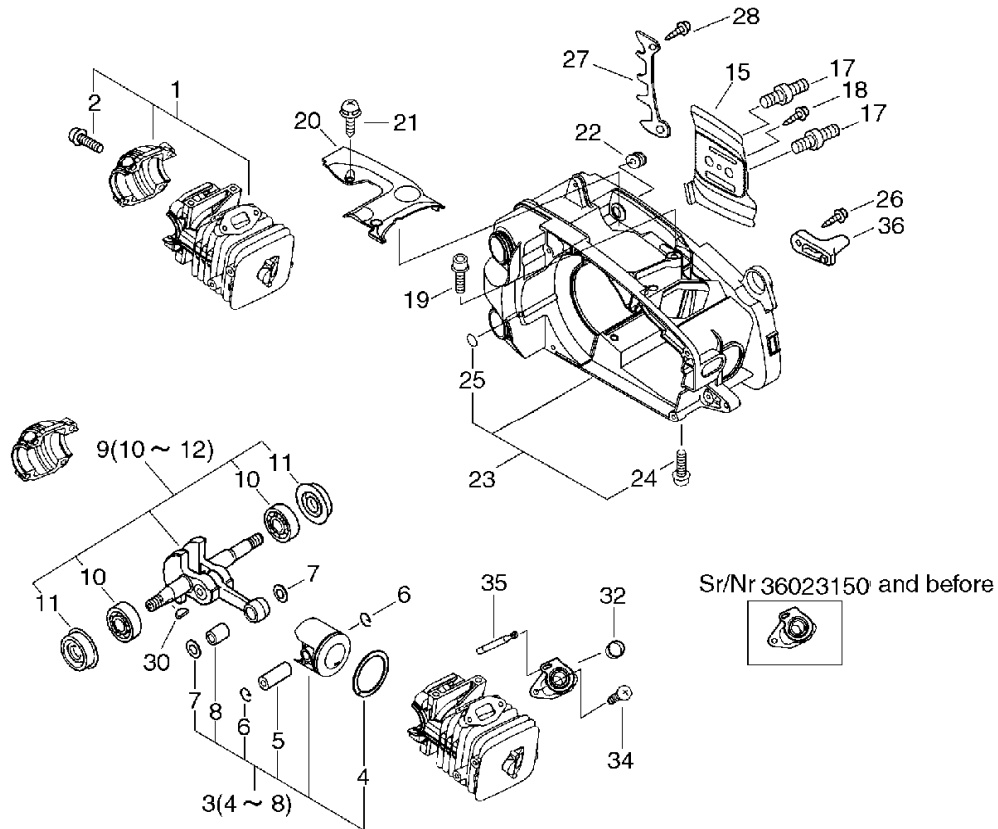


Sr/Nr 36023150 and before



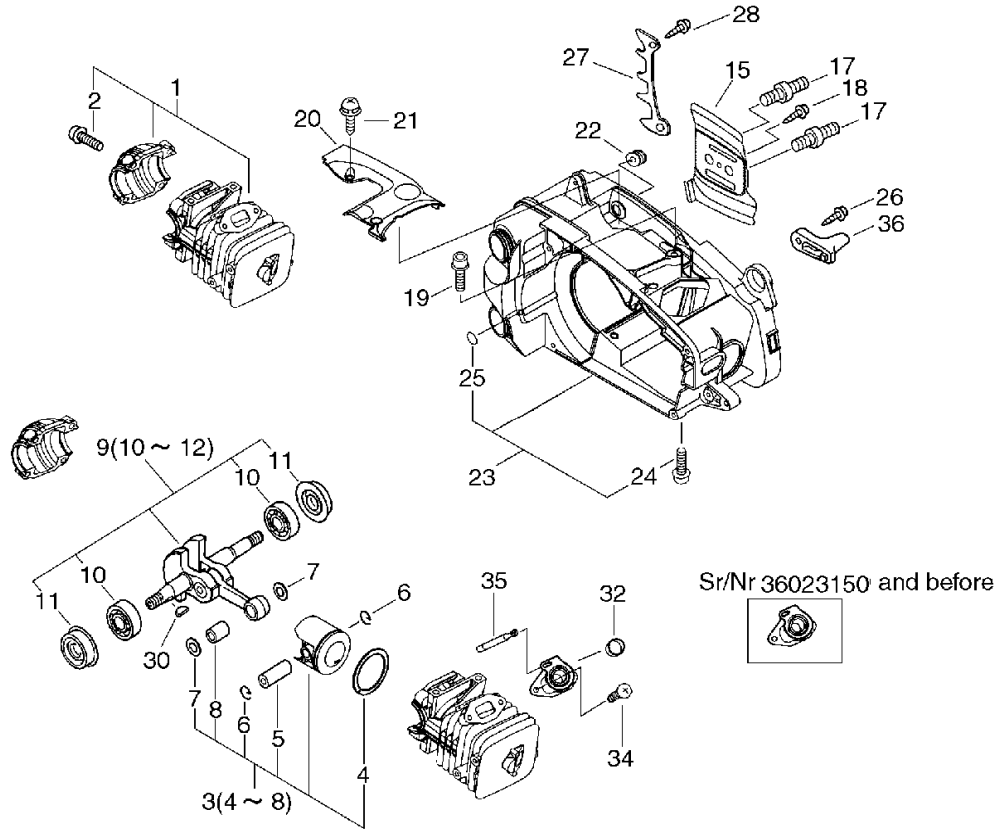
KEY	LV	PART NUMBER	Q'TY	DESCRIPTION	REMARKS	NOTE1	NOTE2
1		P021-005491	1	CRANKCASE SET			
2	+	900162-05025	4	BOLT, H.S. 5*25	5*25 W,SW		
3		P021-005500	1	PISTON KIT		Sus. by P021-005501	
3		P021-005501	1	PISTON KIT			
4	+	100011-46430	1	RING, PISTON			
5	+	100013-15330	1	PIN, PISTON	5.5*8*29		
6	+	100015-04630	2	CIRCLIP, PISTON PIN			
7	+	100014-60930	2	SPACER, PISTON PIN			
8	+	V553-000040	1	BEARING,NEEDLE 8	8E-KV8X11X11.8XS		
9		P021-005510	1	CRANKSHAFT ASY		Sus. by P021-005511	
9		P021-005511	1	CRANKSHAFT ASY		Sus. by P021-005512	
9		P021-005512	1	CRANKSHAFT ASY		Sr/Nr 36017080 and before	
9		P021-010700	1	CRANKSHAFT ASY		Sr/Nr 36020001 and after	
9		P021-010701	1	CRANKSHAFT ASY			
10	+	94035-36201	2	BEARING BALL	6201X3JR2C3		
11	+	V505-000010	2	SEAL,OIL 12			
12	+	V652-000010	1	GEAR,WORM			
15		C305-000070	1	PLATE,SPROCKET GUARD		Sus. by C305-000080	
17		433011-03931	2	STUD, GUIDE BAR			

1. Cylinder, Crankcase, Piston(Sr/Nr 36024680 and before)



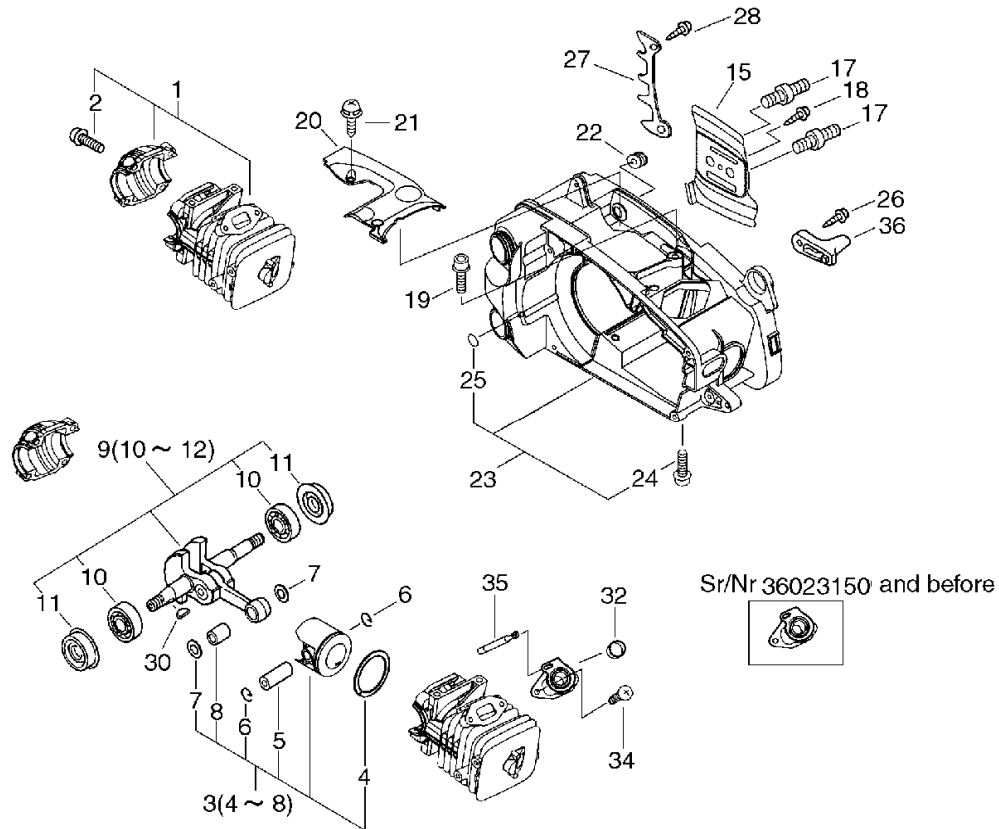
KEY	LV	PART NUMBER	Q'TY	DESCRIPTION	REMARKS	NOTE1	NOTE2
18		900253-04010	1	SCREW 4*10	4*10		
19		900106-05020	4	BOLT, H.S. 5*20	5*20	Sr/Nr 36005700 and before	
19		900106-05020	2	BOLT, H.S. 5*20	5*20	Sr/Nr 36005701 and after	
20		A127-000050	1	COVER,DUST			
21		900253-04012	2	SCREW	4*12		
22		163911-30130	1	PLUG			
23		P021-008670	1	COVER ENGINE		Sus. by P021-008675	
23		P021-008671	1	COVER,ENGINE		Sus. by P021-008675	
23		P021-008672	1	COVER,ENGINE		Sus. by P021-008675	
23		P021-008673	1	COVER,ENGINE		Sus. by P021-008675	
23		P021-008674	1	COVER,ENGINE KIT		Sus. by P021-008675	
23		P021-008675	1	COVER,ENGINE KIT			
24	+	900106-05030	2	BOLT, H.S.H. 5*30	5*30	Sr/Nr 36005701 and after	
25	+	900724-00004	1	O-RING (S-4)	S-4	Sr/Nr 36008001 and after	
26		900253-05020	1	SCREW 5*20	5*20		
27		C304-000000	1	SPIKE			
28		900253-05020	1	SCREW 5*20	5*20		

1. Cylinder, Crankcase, Piston(Sr/Nr 36024680 and before)



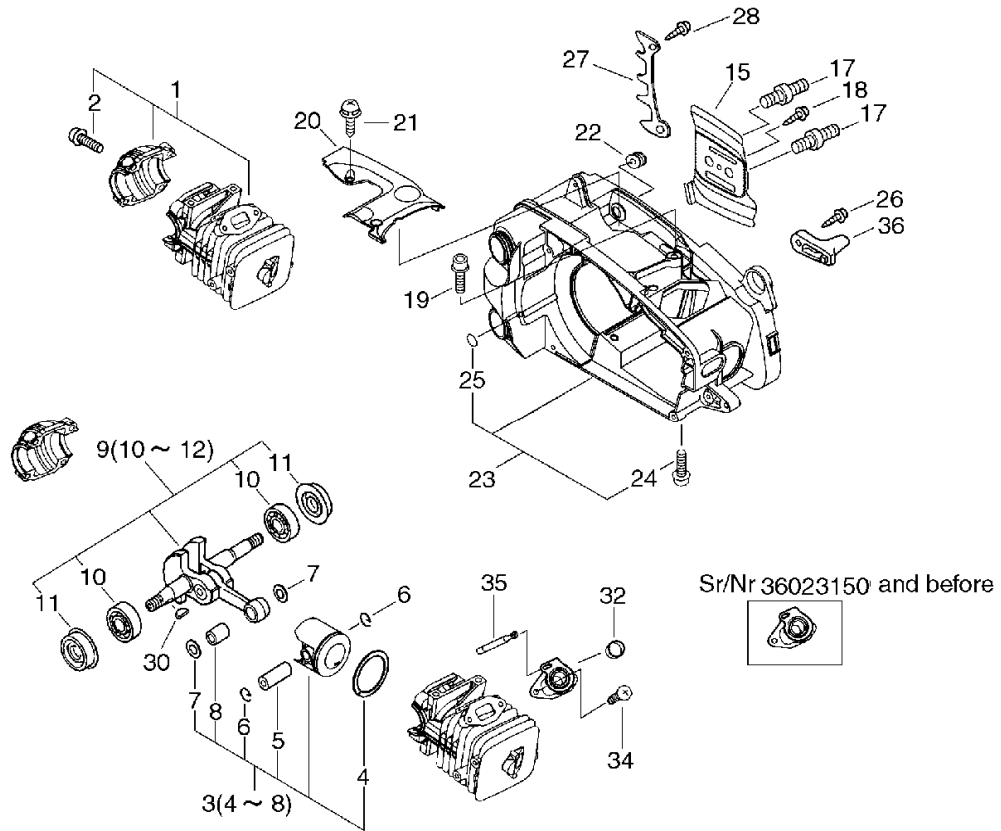
KEY	LV	PART NUMBER	Q'TY	DESCRIPTION	REMARKS	NOTE1	NOTE2
30		100142-12330	1	KEY, WOODRUFF			
31		A202-000032	1	BELLOWS,INTAKE		Sr/Nr 36023150 and before	
32		V359-000060	1	COLLAR,16			
34		900238-05012	2	SCREW 5*12	5*12		
35		V470-000481	1	PIPE	3*7*65		
36		433026-35430	1	CATCHER, CHAIN			

2. Cylinder, Crankcase, Piston(Sr/Nr 36024681 and after)



KEY	LV	PART NUMBER	Q'TY	DESCRIPTION	REMARKS	NOTE1	NOTE2
1		P021-005491	1	CRANKCASE SET			
2	+	900162-05025	4	BOLT, H.S. 5*25	5*25 W,SW		
3		P021-005501	1	PISTON KIT			
4	+	100011-46430	1	RING, PISTON			
5	+	100013-15330	1	PIN, PISTON	5.5*8*29		
6	+	100015-04630	2	CIRCLIP, PISTON PIN			
7	+	100014-60930	2	SPACER, PISTON PIN			
8	+	V553-000040	1	BEARING,NEEDLE 8	8E- KV8X11X11.8XS		
9		P021-010701	1	CRANKSHAFT ASY			
10	+	94035-36201	2	BEARING BALL	6201X3JR2C3		
11	+	V505-000010	2	SEAL,OIL 12			
15		C305-000080	1	PLATE, SPROCKET GUARD	T0.3		
17		433011-03931	2	STUD, GUIDE BAR			
18		900253-04010	1	SCREW 4*10	4*10		
19		900106-05020	2	BOLT, H.S. 5*20	5*20		
20		A127-000050	1	COVER,DUST			
21		900253-04012	2	SCREW	4*12		
22		163911-30130	1	PLUG			
23		P021-008676	1	COVER,ENGINE KIT			
24	+	900106-05030	2	BOLT, H.S.H. 5*30	5*30		
25	+	900724-00004	1	O-RING (S-4)	S-4		
26		900253-05020	1	SCREW 5*20	5*20		
27		C304-000000	1	SPIKE			
28		900253-05020	1	SCREW 5*20	5*20		
30		100142-12330	1	KEY, WOODRUFF			

2. Cylinder, Crankcase, Piston(Sr/Nr 36024681 and after)

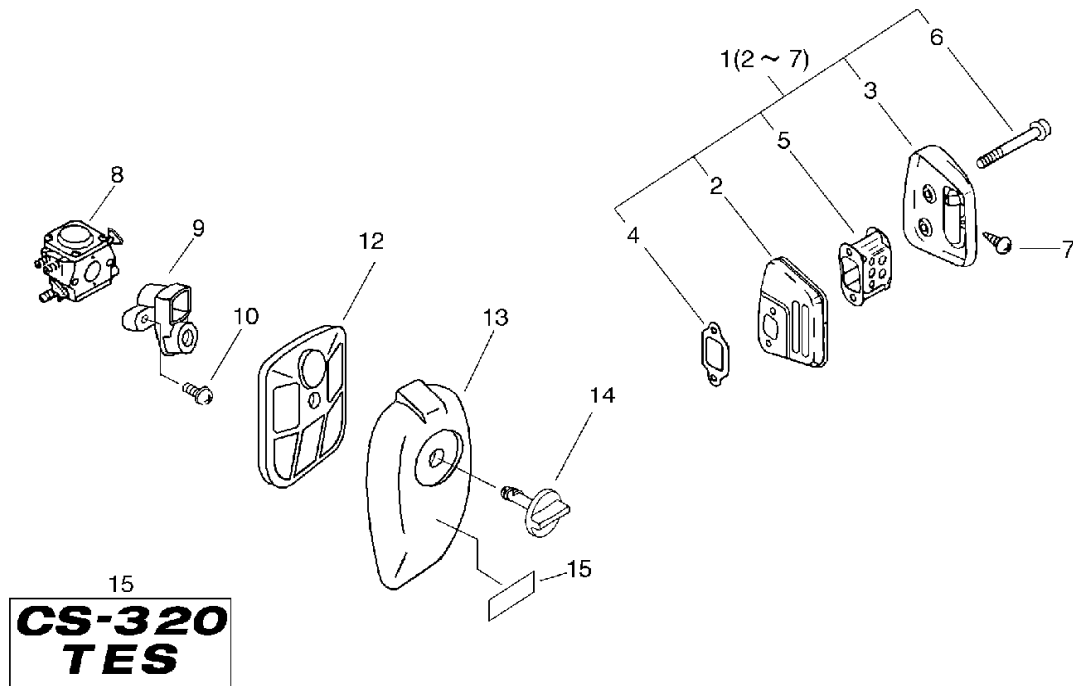


Sr/Nr 36023150 and before



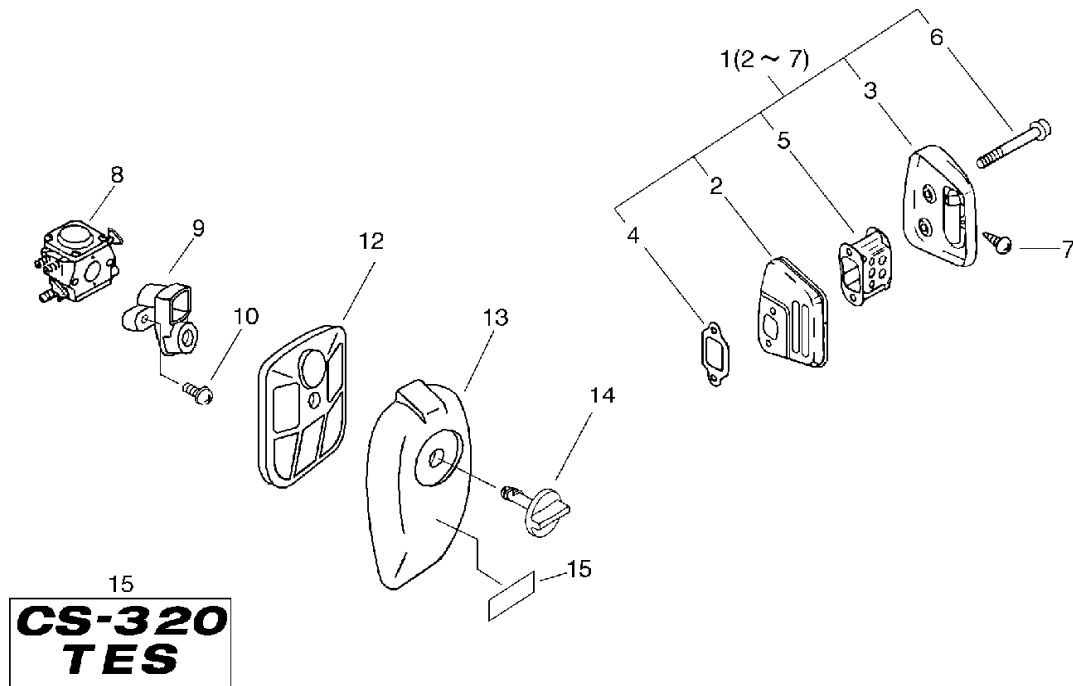
KEY	LV	PART NUMBER	Q'TY	DESCRIPTION	REMARKS	NOTE1	NOTE2
32		V359-000060	1	COLLAR,16			
34		900238-05012	2	SCREW 5*12	5*12		
35		V470-000481	1	PIPE	3*7*65		
36		433026-35430	1	CATCHER, CHAIN			

3. Air Cleaner, Muffler(Sr/Nr 36024680 and before)



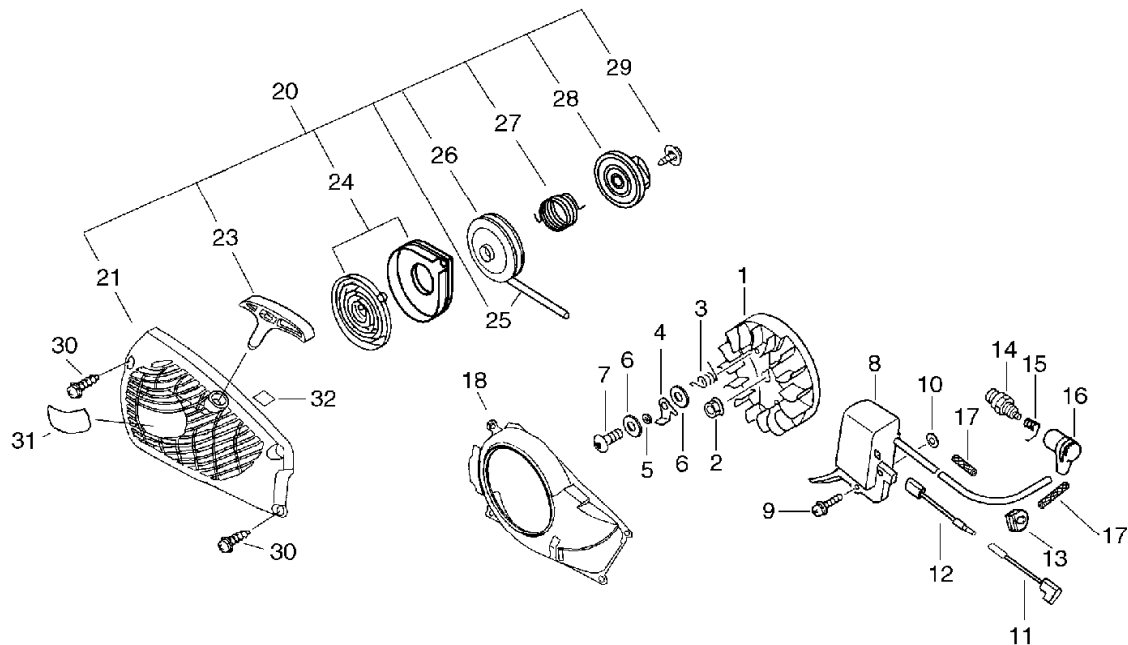
KEY	LV	PART NUMBER	Q'TY	DESCRIPTION	REMARKS	NOTE1	NOTE2
1		P021-004952	1	MUFFLER ASY		Sus. by P021-009930	
2	+	A300-000370	1	MUFFLER,EXHAUST			
3	+	P021-008650	1	MUFFLER LID ASY			
4	+	145510-13931	1	GASKET, MUFFLER			
5	+	A301-000000	1	PLATE,MUFFLER			
6	+	91107-05040	2	BOLT HSH FLANGE	5*40		
7	+	900250-04008	1	SCREW 4*8	4*8		
8		A021-000860	1	CARBURETOR,DIAPHRAGM	WT-698	Sus. by A021-000862	
8		A021-000861	1	CARBURETOR,DIAPHRAGM	WT-698A	Sus. by A021-000862	
8		A021-000862	1	CARBURETOR,DIAPHRAGM	WT-698A		
9		A204-000051	1	ELBOW,CARBURETOR		Sus. by A204-000041	
9		A204-000052	1	ELBOW,CARBURETOR		Sus. by A204-000041	
9		A204-000041	1	ELBOW,CARBURETOR			
10		900238-05050	2	SCREW 5*50	5*50		
12		A226-000180	1	ELEMENT, AIR FILTER			
13		A232-000160	1	LID,CLEANER			
14		A235-000040	1	KNOB,CLEANER LID			
15		X503-006210	1	LABEL,MODEL	CS-320TES EU ST1		

4. Air Cleaner, Muffler(Sr/Nr 36024681 and after)



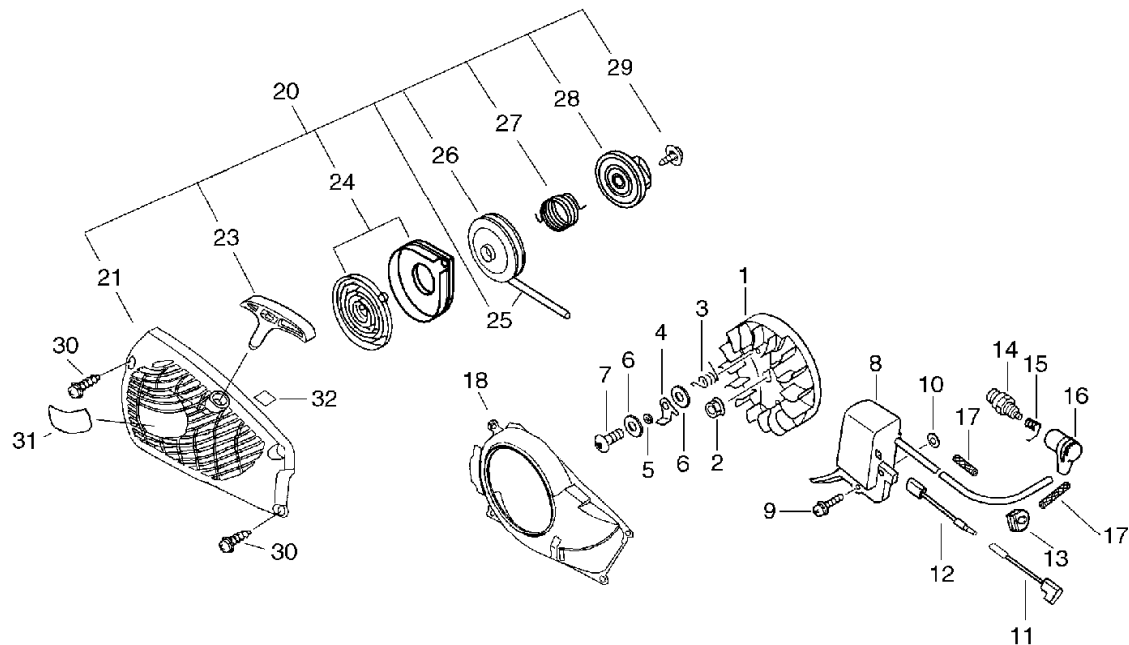
KEY	LV	PART NUMBER	Q'TY	DESCRIPTION	REMARKS	NOTE1	NOTE2
1		P021-004952	1	MUFFLER ASY			
1		P021-009930	1	MUFFLER ASY			Sus. by P021-009930
2	+	A300-000370	1	MUFFLER,EXHAUST			
3	+	P021-008650	1	MUFFLER LID ASY			
4	+	145510-13931	1	GASKET, MUFFLER			
5	+	A301-000000	1	PLATE,MUFFLER			
6	+	91107-05040	2	BOLT HSH FLANGE	5*40		
7	+	900250-04008	1	SCREW 4*8	4*8		
8		A021-000862	1	CARBURETOR,DIAPHRAGM	WT-698A		
9		A204-000041	1	ELBOW,CARBURETOR			
10		900238-05050	2	SCREW 5*50	5*50		
12		A226-000180	1	ELEMENT,AIR FILTER			
13		A232-000160	1	LID,CLEANER			
14		A235-000040	1	KNOB,CLEANER LID			
15		X503-006210	1	LABEL,MODEL	CS-320TES EU ST1		

5. Starter, Magneto(Sr/Nr 36024680 and before)



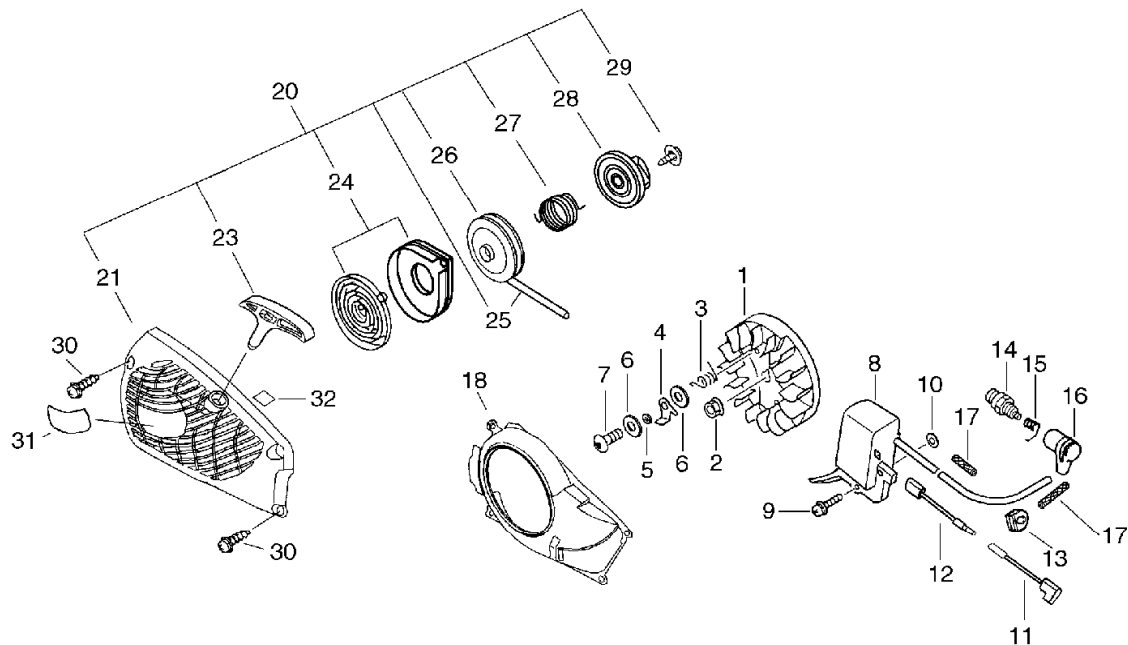
KEY	LV	PART NUMBER	Q'TY	DESCRIPTION	REMARKS	NOTE1	NOTE2
1		A409-000170	1	ROTOR,MAGNETO			
2		900515-00008	1	NUT, FLANGE 8	8		
3		177234-35430	2	SPRING, RETURN			
4		A514-000020	2	PAWL			
5		177247-04630	2	SPACER, RATCHET	5.2*8*2.1		
6		900603-00005	4	WASHER 5	5.5*12*0.8		
7		900105-05014	2	BOLT, H.S. 5*14	5*14	Sus. by V203-000080	
7		V203-000080	2	BOLT,5	5*14		
8		A411-000150	1	COIL,IGNITION			
9		900238-05022	2	SCREW 5*22	5*22		
10		150117-16430	2	SPACER			
11		162010-55930	1	LEARD, GROUND	235L		
12		V485-000140	1	LEAD			
13		156110-04920	1	BUSHING			
14		A425-000000	1	SPARKPLUG	BPMR8Y		
15		A426-000010	1	TERMINAL, SPARKPLUG			
16		A427-000012	1	CAP, SPARK PLUG			
17		V475-002390	1	TUBE		Sus. by V475-002390 Q'ty:2	
17		V475-002390	2	TUBE			
18		A172-000500	1	COVER,FAN		Sus. by A172-000501	
18		A172-000501	1	COVER,FAN			

5. Starter, Magneto(Sr/Nr 36024680 and before)



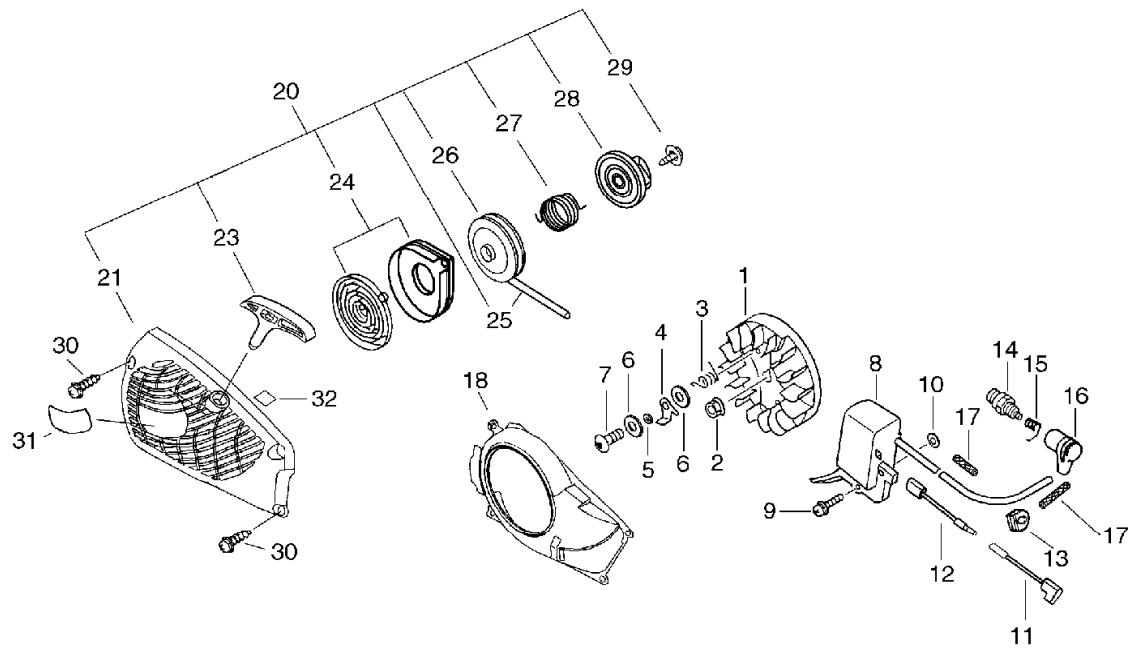
KEY	LV	PART NUMBER	Q'TY	DESCRIPTION	REMARKS	NOTE1	NOTE2
20		A051-000790	1	STARTER,RECOIL	CS-350TES	Sus. by A051-000792	
20		A051-000791	1	STARTER,RECOIL		Sus. by A051-000792	
20		A051-000792	1	STARTER,RECOIL			
21	+	P022-008770	1	STARTER,RECOIL		Sus. by P022-008771	
21	+	P022-008771	1	STARTER,RECOIL			
23	+	P022-005890	1	GRIP, STARTER			
24	+	P022-001330	1	SPRING KIT, REWIND			
25	+	P022-008440	1	ROPE, STARTER	3.5*900		
26	+	A506-000030	1	REEL, ROPE			
27	+	V452-000220	1	SPRING, TORSION	D2.3φ21.1		
28	+	A507-000020	1	CATCHER, PAWL		Sus. by A507-000021	
28	+	A507-000021	1	CATCHER, PAWL			
29	+	177236-61830	1	SCREW			
30		900256-04016	4	SCREW 4*16	4*16		
31		X502-000130	1	LABEL, ECHO		Sus. by X502-000100	
31		X502-000100	1	LABEL, ECHO		Sus. by X502-000101	
32		X505-000180	1	LABEL, CAUTION			

6. Starter, Magneto(Sr/Nr 36024681 and after)



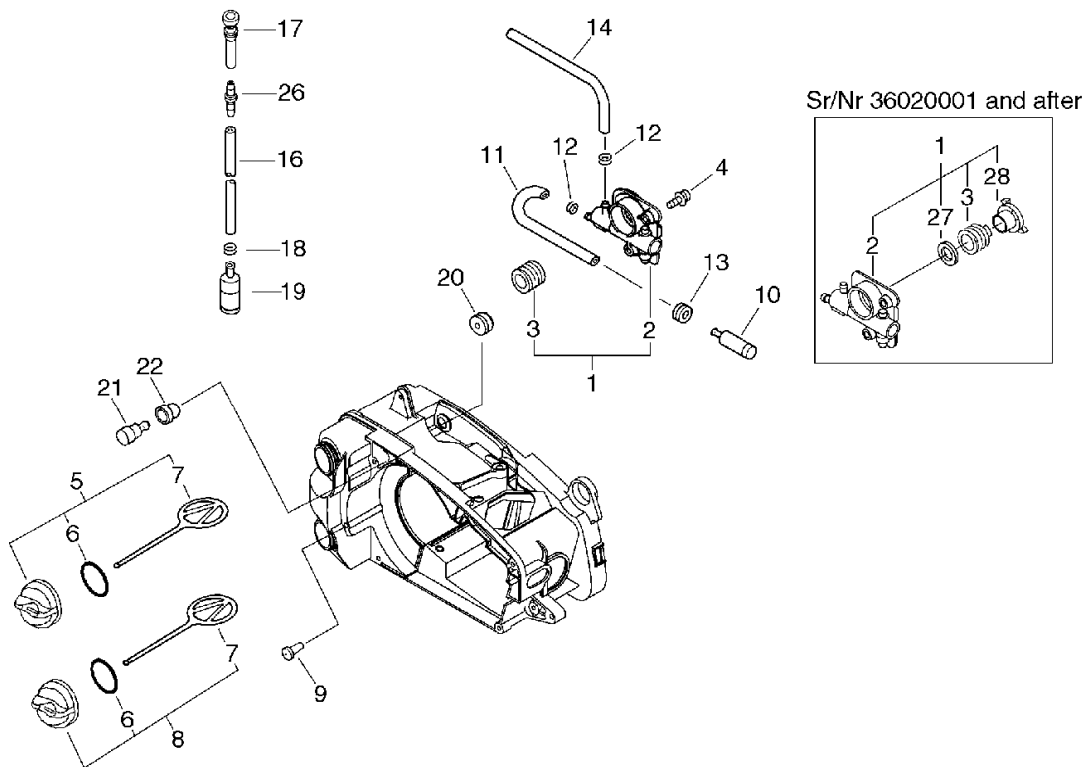
KEY	LV	PART NUMBER	Q'TY	DESCRIPTION	REMARKS	NOTE1	NOTE2
1		A409-000170	1	ROTOR,MAGNETO			
2		900515-00008	1	NUT, FLANGE 8	8		
3		177234-35430	2	SPRING, RETURN			
4		A514-000020	2	PAWL			
5		177247-04630	2	SPACER, RATCHET	5.2*8*2.1		
6		900603-00005	4	WASHER 5	5.5*12*0.8		
7		V203-000080	2	BOLT,5	5*14		
8		A411-000150	1	COIL,IGNITION			
9		900238-05022	2	SCREW 5*22	5*22		
10		150117-16430	2	SPACER			
11		162010-55930	1	LEARD, GROUND	235L		
12		V485-000140	1	LEAD			
13		156110-04920	1	BUSHING			
14		A425-000000	1	SPARKPLUG	BPMR8Y		
15		A426-000010	1	TERMINAL,SPARKPLUG			
16		A427-000012	1	CAP,SPARK PLUG		Sus. by A427-000013	
17		V475-002390	2	TUBE			
18		A172-000501	1	COVER,FAN			
20		A051-000792	1	STARTER,RECOIL			
21	+	P022-009771	1	STARTER,RECOIL			
23	+	P022-005890	1	GRIP, STARTER			
24	+	P022-001330	1	SPRING KIT, REWIND			
25	+	P022-008440	1	ROPE, STARTER	3.5*900		
26	+	A506-000030	1	REEL,ROPE			
27	+	V452-000220	1	SPRING,TORSION	D2.3φ21.1		

6. Starter, Magneto(Sr/Nr 36024681 and after)



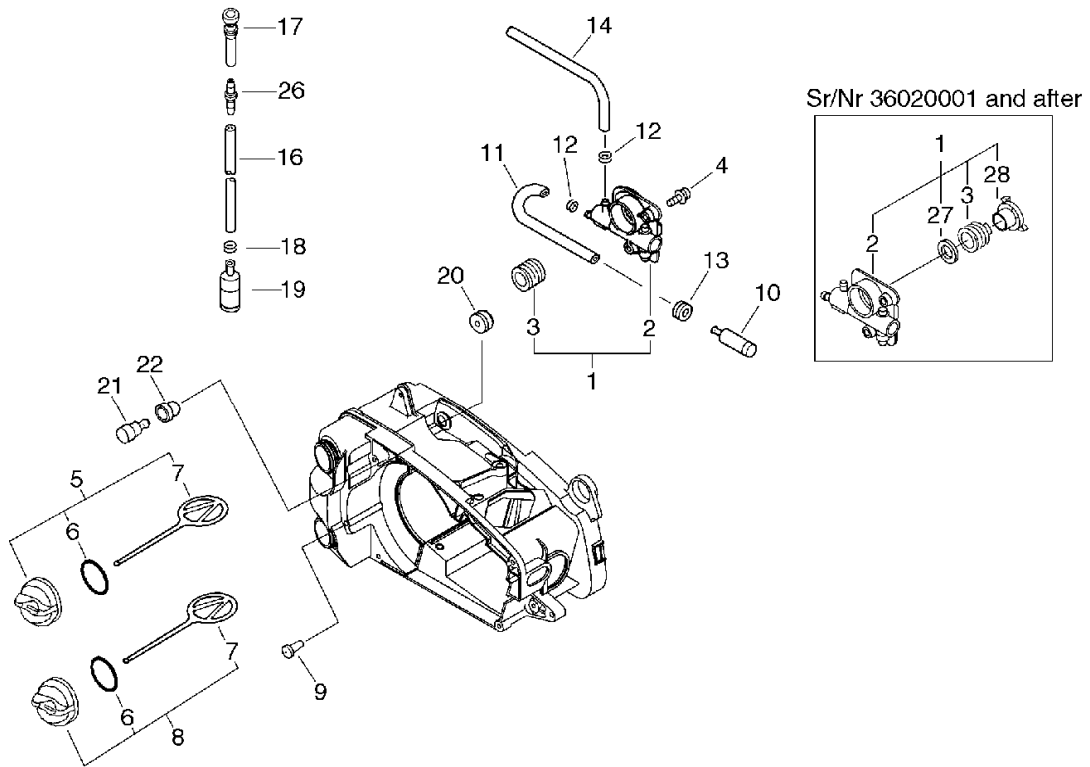
KEY	LV	PART NUMBER	Q'TY	DESCRIPTION	REMARKS	NOTE1	NOTE2
28	+	A507-000021	1	CATCHER,PAWL			
29	+	177236-61830	1	SCREW			
30		900256-04016	4	SCREW 4*16	4*16		
31		X502-000100	1	LABEL,ECHO		Sus. by X502-000101	
31		X502-000101	1	LABEL,ECHO			
32		X505-000180	1	LABEL,CAUTION			

7. Auto-Oiler



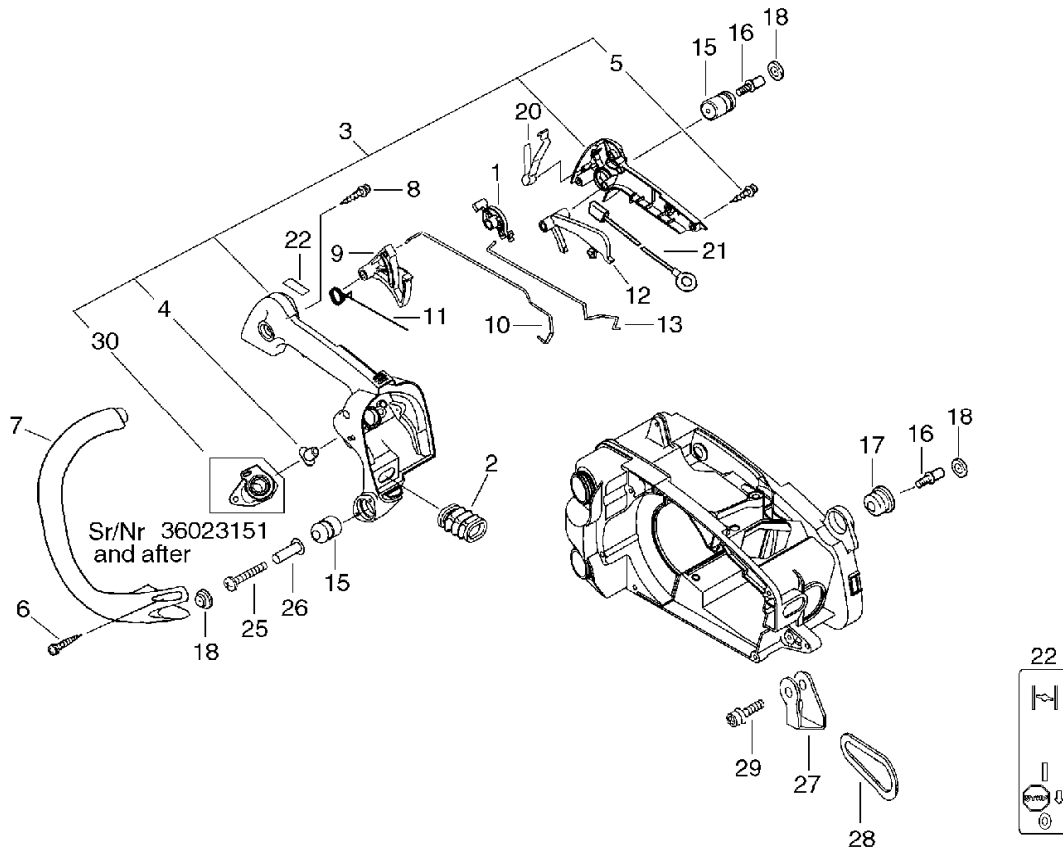
KEY	LV	PART NUMBER	Q'TY	DESCRIPTION	REMARKS	NOTE1	NOTE2
1		P021-001980	1	AUTO-OILER ASY		Sr/Nr 36017080 and before	
1		P021-010890	1	AUTO-OILER ASY		Sr/Nr 36020001 and after	
2	+	C022-000000	1	OILER,ASM AUTO		Sr/Nr 36017080 and before	
2	+	C022-000020	1	AUTO-OILER ASSEMBLY		Sr/Nr 36020001 and after	
3	+	V652-000010	1	GEAR,WORM		Sr/Nr 36017080 and before	
3	+	V652-000030	1	GEAR,WORM		Sr/Nr 36020001 and after	
27	+	V308-000030	1	WASHER,CIRCULAR 11	10.5*17.4*1.8	Sr/Nr 36020001 and after	
28	+	V356-000290	1	COLLAR,10		Sr/Nr 36020001 and after	
4		900238-04012	2	SCREW 4*12	4*12		
5		P021-005591	1	CAP ASY			
6	+	900720-00018	1	O-RING 18	P-18		
7	+	A365-000050	1	CONNECTOR,CAP			
8		P021-005581	1	OIL CAP ASY			
6	+	900720-00018	1	O-RING 18	P-18		
7	+	A365-000050	1	CONNECTOR,CAP			
9		436114-13930	1	VALVE, CHECK			
10		436205-02832	1	STRAINER, OIL			
11		V471-000740	1	PIPE			

7. Auto-Oiler



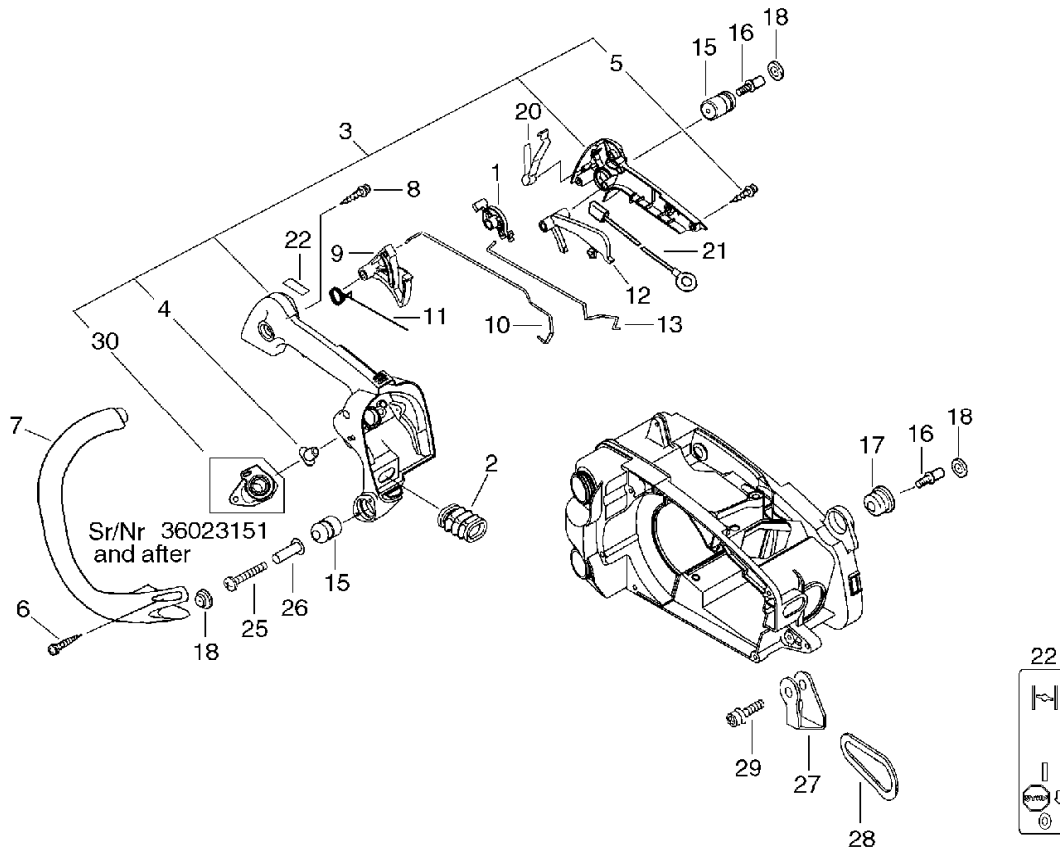
KEY	LV	PART NUMBER	Q'TY	DESCRIPTION	REMARKS	NOTE1	NOTE2
12		132013-26630	1	CLIP	6.5MM	Sr/Nr 36008000 and before	
12		132013-26630	2	CLIP	6.5MM	Sr/Nr 36008001 after	
13		132115-01461	1	GROMMET			
13		132115-01461	1	GROMMET			
14		V471-000760	1	PIPE			
16		V471-000750	1	PIPE			
17		V470-000320	1	PIPE			
18		132013-09820	1	CLIP	6MM		
19		131205-14930	1	STRAINER,FUEL			
20		V137-000020	1	GROMMET,FUEL			
21		131300-56430	1	VALVE, CHECK			
22		V137-000000	1	GROMMET,FUEL			
26		V186-000020	1	JOINT,PIPE			

8. Handle



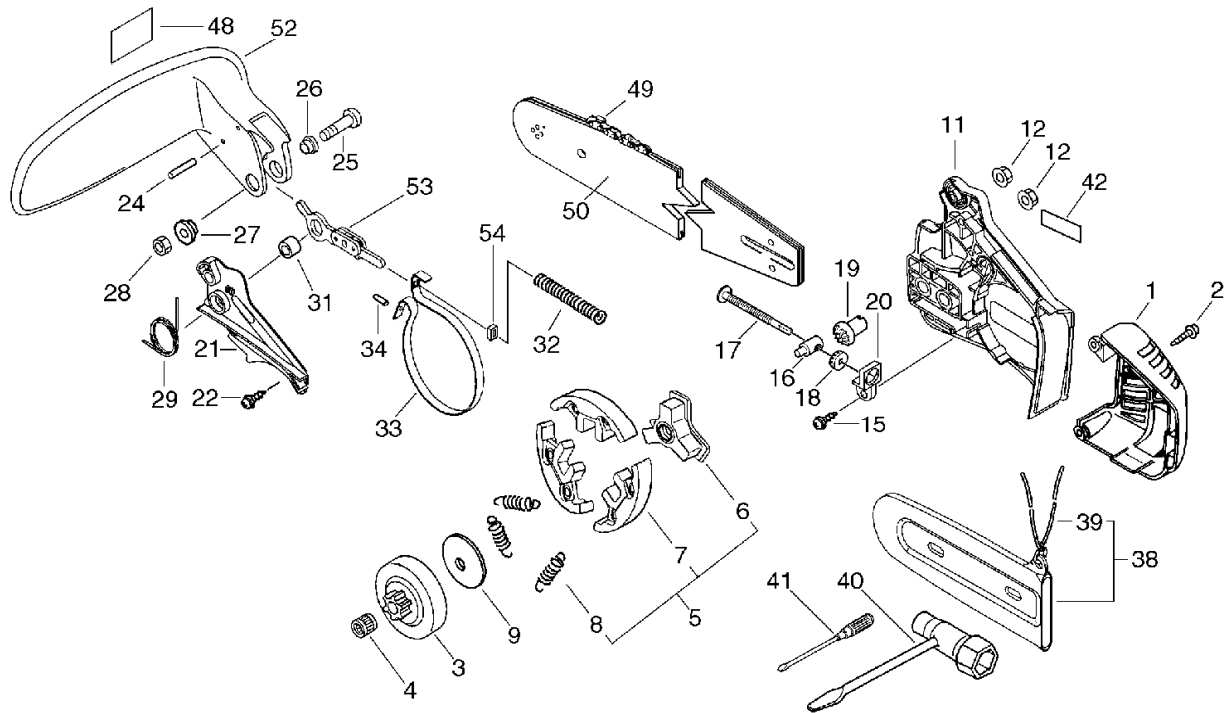
KEY	LV	PART NUMBER	Q'TY	DESCRIPTION	REMARKS	NOTE1	NOTE2
1		A253-000043	1	LEVER,CONTROL			
2		A239-000000	1	PIPE,INTAKE			
3		P021-004965	1	HANDLE SET, REAR		Sr/Nr 36023150 and before	
3		P021-004966	1	HANDLE SET, REAR		Sr/Nr 36023150 and before	
3		P021-004967	1	HANDLE SET, REAR		Sr/Nr 36023150 and before	
3		P021-004969	1	HANDLE SET, REAR		Sr/Nr 36023150 and before	
3		P021-011510	1	HANDLE, REAR		Sr/Nr 36023151 and after	
30	+	A202-000033	1	BELLOWS,INTAKE		Sr/Nr 36023151 and after	
4	+	130020-33330	2	NUT			
5	+	900256-04016	4	SCREW 4*16	4*16		
6		900256-04016	2	SCREW 4*16	4*16		
7		C400-000160	1	HANDLE,FRONT			
8		900253-05020	1	SCREW 5*20	5*20		
9		C450-000010	1	TRIGGER,THROTTLE			
10		C454-000070	1	ROD,THROTTLE			
11		V452-000010	1	SPRING,TORSION			
12		C460-000002	1	LOCKOUT,THROTTLE			
13		A240-000001	1	ROD,CHOKE		Sus. by A240- 000010	
13		A240-000010	1	ROD,CHOKE			

8. Handle



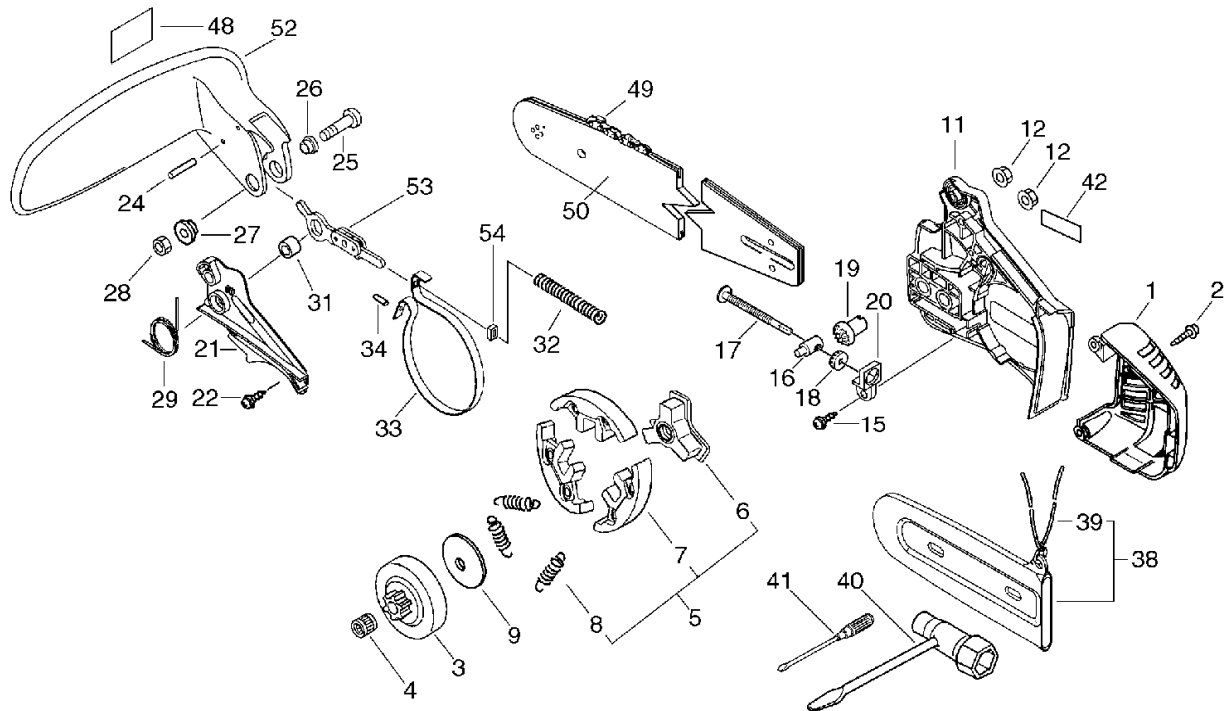
KEY	LV	PART NUMBER	Q'TY	DESCRIPTION	REMARKS	NOTE1	NOTE2
15		V400-000020	2	CUSHION,4		Sus. by V400-000021	
15		V400-000021	2	CUSHION,4			
16		V202-000000	2	BOLT,4			
17		100910-18830	1	CUSHION			
18		100918-15130	3	CAP			
20		V486-000010	1	TERMINAL,LEAD			
21		V485-000340	1	LEAD			
22		X524-000910	1	LABEL			
25		91481-04035	1	SCREW TAPPING			
26		V352-000020	1	COLLAR,4			
27		C626-000040	1	FIXTURE,HARNESS			
28		C646-000040	1	RING,HARNESS			
29		900162-04025	1	BOLT, H.S. 4*25	4*25 W,SW		

9. Clutch, Sprocket, Tools(Sr/Nr 36024680 and before)



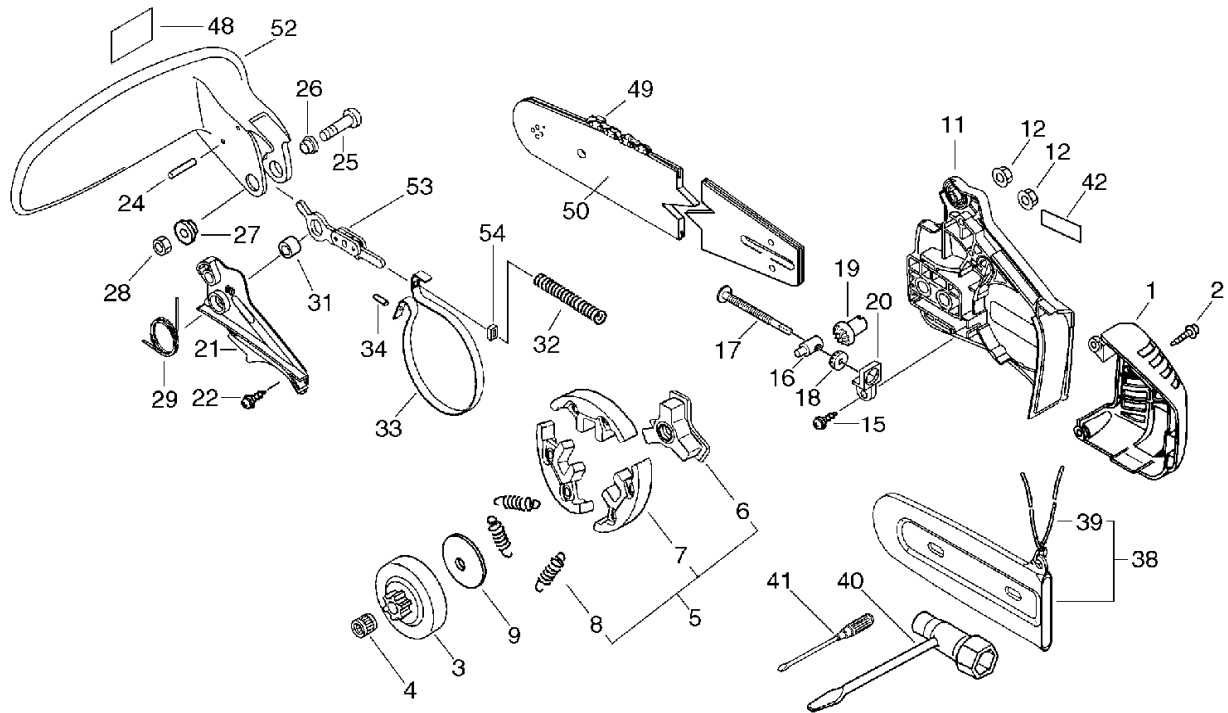
KEY	LV	PART NUMBER	Q'TY	DESCRIPTION	REMARKS	NOTE1	NOTE2
1		A320-000181	1	COVER,MUFFLER		Sus. by A320-000183	
1		A320-000182	1	COVER,MUFFLER		Sus. by A320-000183	
1		A320-000183	1	COVER,MUFFLER			
2		900253-04016	2	SCREW 4*16	4*16		
3		175005-39132	1	DRUM, CLUTCH	3/8A		
4		175012-35630	1	BEARING, NEEDLE	10*13*10	Sus. by 175012-00831	
4		175012-00831	1	BEARING, NEEDLE			
5		A056-000070	1	CLUTCH			
6	+	A552-000020	1	HUB,CLUTCH			
7	+	P021-005810	1	CLUTCH SHOE SET			
8	+	V451-000470	3	SPRING,TENSION			
9		A551-000010	1	PLATE,CLUTCH			
10		175014-39130	1	WASHER, CLUTCH	10.2*25*1.2	Sus. by 175014-39131	
10		175014-39131	1	WASHER, CLUTCH	10.2*24.5*1.2	Sr/Nr 36017080 and before	
11		C300-000240	1	GUARD,SPROCKET		Sus. by C300-000241	
11		C300-000241	1	GUARD,SPROCKET			
12		433019-03933	2	NUT, FLANGE 6	6		
15		900253-04012	1	SCREW	4*12		
16		C309-000030	1	TENSIONER,CHAIN			
17		V203-000041	1	BOLT,5			

9. Clutch, Sprocket, Tools(Sr/Nr 36024680 and before)



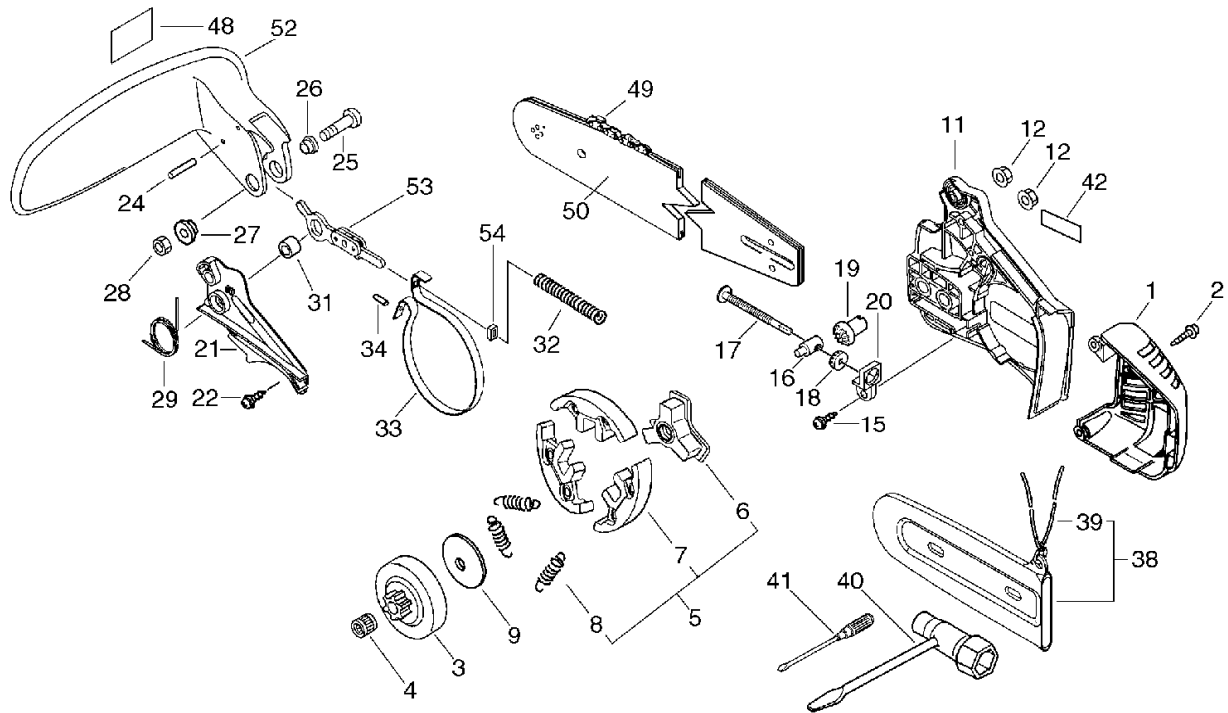
KEY	LV	PART NUMBER	Q'TY	DESCRIPTION	REMARKS	NOTE1	NOTE2
18		V651-000011	1	GEAR,BEVEL			
19		V651-000001	1	GEAR,BEVEL			
20		V355-000140	1	COLLAR,8			
21		C345-000082	1	COVER,BRAKE		Sus. by C345-000084	
21		C345-000083	1	COVER,BRAKE		Sus. by C345-000084	
21		C345-000083	1	COVER,BRAKE			
22		900253-04012	3	SCREW	4*12		
24		900330-30260	2	ROLLER 3*26	3*26		
25		91318-05032	1	SCREW	5*32		
26		433167-39130	1	SPACER			
27		V353-000060	1	COLLAR,5			
28		900560-00005	1	NUT, LOCK 5	5	Sus. by 900562-50005	
28		900562-50005	1	LOCKNUT 5	5		
29		V452-000110	1	SPRING,TORSION			
31		433116-35430	1	SPACER 8	8*12*9		
32		V450-000070	1	SPRING,COMPRESSION			
33		C328-000030	1	BAND,BRAKE			
34		93050-30098	1	ROLLER	F3*9.8		
38		P021-006951	1	SCABBARD,CHAIN	(ORANGE)		
39	+	898568-14530	1	ROPE	5*900		
40		895410-03930	1	WRENCH, W/S. DRIVER			
41		895812-03930	1	DRIVER, SCREW 50			

9. Clutch, Sprocket, Tools(Sr/Nr 36024680 and before)



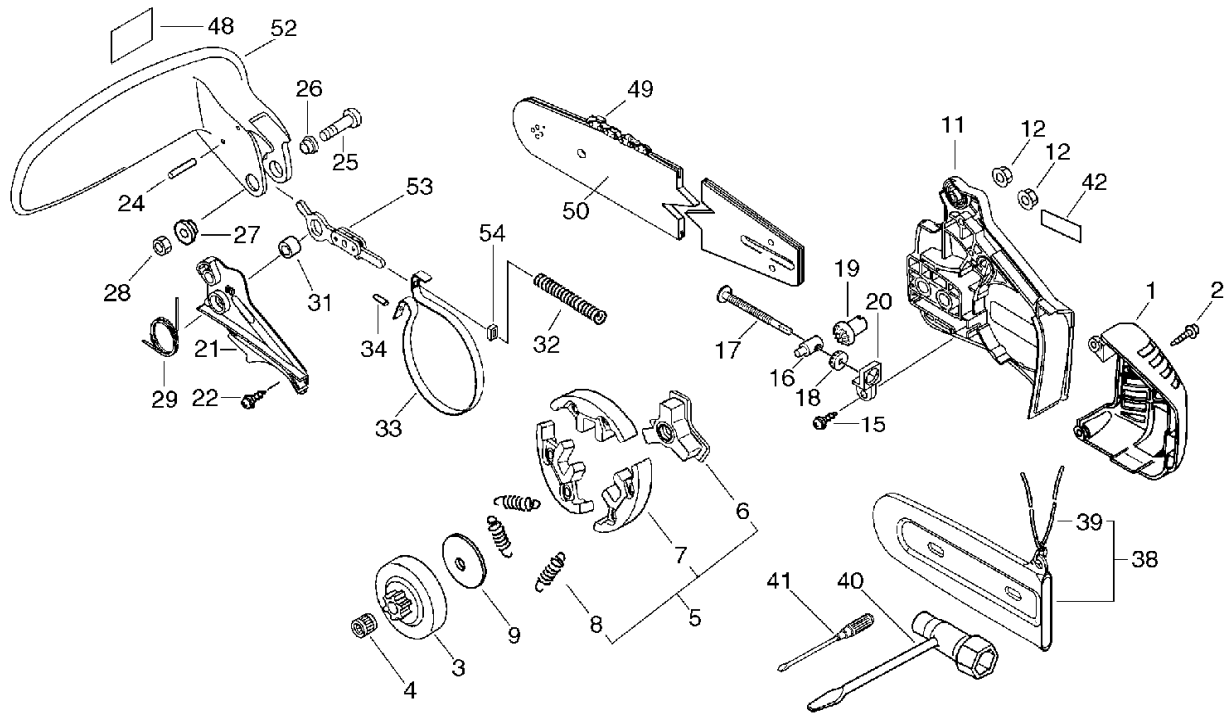
KEY	LV	PART NUMBER	Q'TY	DESCRIPTION	REMARKS	NOTE1	NOTE2
42		X502-000020	1	LABEL,ECHO		Sus. by C320-000033	
48		X505-000370	1	LABEL,CAUTION			
49		431010-39230	1	CHAIN, SAW 91VG-47E	91VG-47E 30C	OPTION	
49		431019-39230	1	CHAIN, SAW 91VG-53E	91VG-53E 35C	OPTION	
49		431011-39230	1	CHAIN, SAW 91VG-58E	91VG-58E	OPTION	
50		X122-000070	1	BAR,GUIDE30RC50M-3/8	30RC50M-3/8	Sus. by X122-000071	
50		X122-000071	1	BAR,GUIDE30RC50M-3/8	30RC50M-3/8 ECHO	OPTION	
50		430219-38730	1	BAR,GUIDE 35RC50-3/8	35RC50-3/8	OPTION	
50		430211-13431	1	BAR,GUIDE 40RC50-3/8	40RC50-3/8	OPTION	
52		C320-000032	1	LEVER,BRAKE		Sus. by C320-000033	
53		C334-000060	1	CONNECTOR,BRAKE		Sus. by C334-000070	
53		C334-000070	1	CONNECTOR,BRAKE			
54		V376-000540	1	SPACER		Sr/Nr 36002200 and before	
54		V376-000450	1	SPACER		Sr/Nr 36002201 and after	

10. Clutch, Sprocket, Tools(Sr/Nr 36024681 and after)



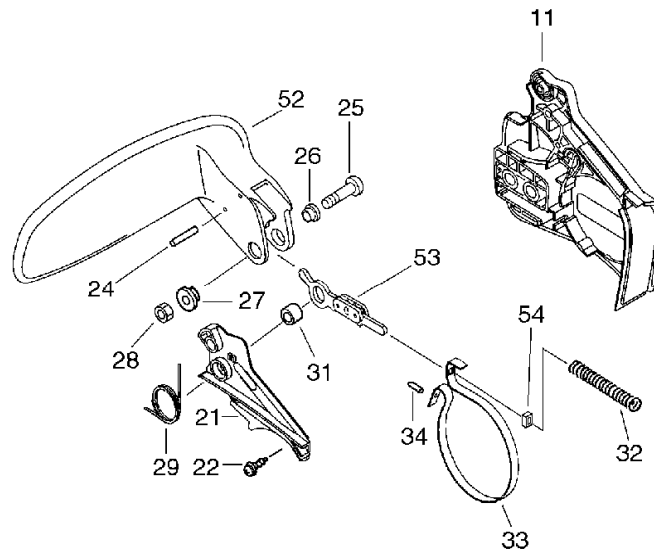
KEY	LV	PART NUMBER	Q'TY	DESCRIPTION	REMARKS	NOTE1	NOTE2
1		A320-000183	1	COVER,MUFFLER			
2		900253-04016	2	SCREW 4*16	4*16		
3		175005-39132	1	DRUM, CLUTCH	3/8A		
4		175012-00831	1	BEARING, NEEDLE			
5		A056-000070	1	CLUTCH			
6	+	A552-000020	1	HUB,CLUTCH			
7	+	P021-005810	1	CLUTCH SHOE SET			
8	+	V451-000470	3	SPRING,TENSION			
9		A551-000010	1	PLATE,CLUTCH			
11		C300-000242	1	GUARD,SPROCKET			
12		433019-03933	2	NUT, FLANGE 6	6		
15		900253-04012	1	SCREW	4*12		
16		C309-000030	1	TENSIONER,CHAIN			
17		V203-000041	1	BOLT,5			
18		V651-000011	1	GEAR,BEVEL			
19		V651-000001	1	GEAR,BEVEL			
20		V355-000140	1	COLLAR,8			
21		C345-000084	1	COVER,BRAKE			
22		900253-04012	3	SCREW	4*12		
24		900330-30260	2	ROLLER 3*26	3*26		
25		91318-05032	1	SCREW	5*32		
26		433167-39130	1	SPACER			
27		V353-000060	1	COLLAR,5			
28		900562-50005	1	LOCKNUT 5	5		
29		V452-000110	1	SPRING,TORSION			
31		433116-35430	1	SPACER 8	8*12*9		

10. Clutch, Sprocket, Tools(Sr/Nr 36024681 and after)



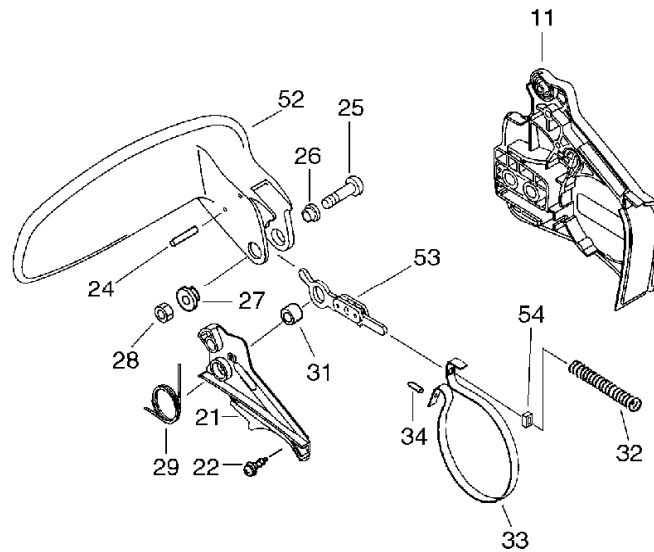
KEY	LV	PART NUMBER	Q'TY	DESCRIPTION	REMARKS	NOTE1	NOTE2
32		V450-000070	1	SPRING, COMPRESSION			
33		C328-000030	1	BAND, BRAKE			
34		93050-30098	1	ROLLER	F3*9.8		
38		P021-006951	1	SCABBARD, CHAIN	(ORANGE)		
39	+	898568-14530	1	ROPE	5*900		
40		895410-03930	1	WRENCH, W/S. DRIVER			
41		895812-03930	1	DRIVER, SCREW 50			
42		X502-000020	1	LABEL, ECHO		Sus. by X502-000340	
42		X502-000340	1	LABEL, ECHO	ECHO(WHITE)		
48		X505-000370	1	LABEL, CAUTION		Sus. by X505-002440	
49		431010-39230	1	CHAIN, SAW 91VG-47E	91VG-47E 30C		
49		431019-39230	1	CHAIN, SAW 91VG-53E	91VG-53E 35C		
49		431011-39230	1	CHAIN, SAW 91VG-58E	91VG-58E		
50		X122-000071	1	BAR, GUIDE 30RC50M-3/8	30RC50M-3/8 ECHO		
50		430219-38730	1	BAR, GUIDE 35RC50-3/8	35RC50-3/8		
50		430211-13431	1	BAR, GUIDE 40RC50-3/8	40RC50-3/8		
52		C320-000032	1	LEVER, BRAKE		Sus. by C320-000033	
52		C320-000033	1	LEVER, BRAKE		Sus. by C320-000034	
53		C334-000070	1	CONNECTOR, BRAKE			
54		V376-000450	1	SPACER			

11. Chain Brake Assy(Sr/Nr 36024680 and before)



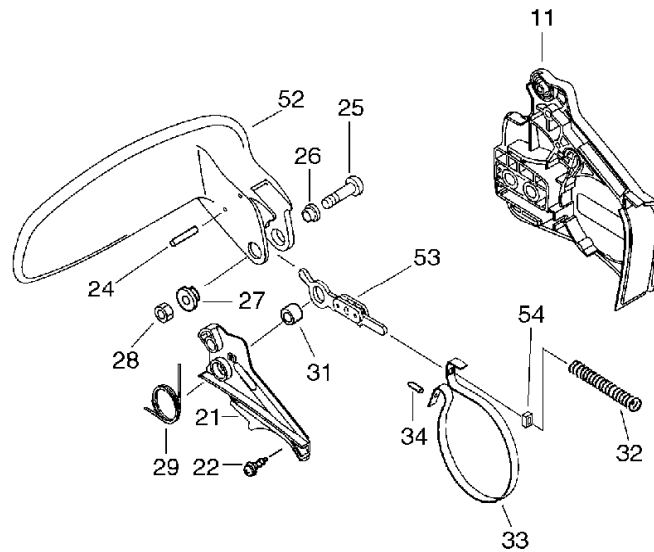
KEY	LV	PART NUMBER	Q'TY	DESCRIPTION	REMARKS	NOTE1	NOTE2
		C032-000200	1	BRAKE,ASM CHAIN		Sus. by C032-000203	
		C032-000201	1	BRAKE,ASM CHAIN		Sus. by C032-000203	
		C032-000202	1	BRAKE,ASM CHAIN		Sus. by C032-000203	
		C032-000203	1	BRAKE,ASM CHAIN		Sr/Nr 36026440 and before	
		C032-000204	1	BRAKE,ASM CHAIN		Sus. by C032-000205	
11	+	C300-000240	1	GUARD,SPROCKET		Sus. by C300-000241	
11	+	C300-000241	1	GUARD,SPROCKET		Sr/Nr 36026440 and before	
11	+	C300-000242	1	GUARD,SPROCKET		Sr/Nr 36026441 and after	
21	+	C345-000082	1	COVER,BRAKE		Sus. by C345-000084	
21	+	C345-000083	1	COVER,BRAKE		Sus. by C345-000084	
21	+	C345-000084	1	COVER,BRAKE			
22	+	900253-04012	3	SCREW	4*12		
24	+	900330-30260	2	ROLLER 3*26	3*26		
25	+	91318-05032	1	SCREW	5*32		
26	+	433167-39130	1	SPACER			
27	+	V353-000060	1	COLLAR,5			

11. Chain Brake Assy(Sr/Nr 36024680 and before)



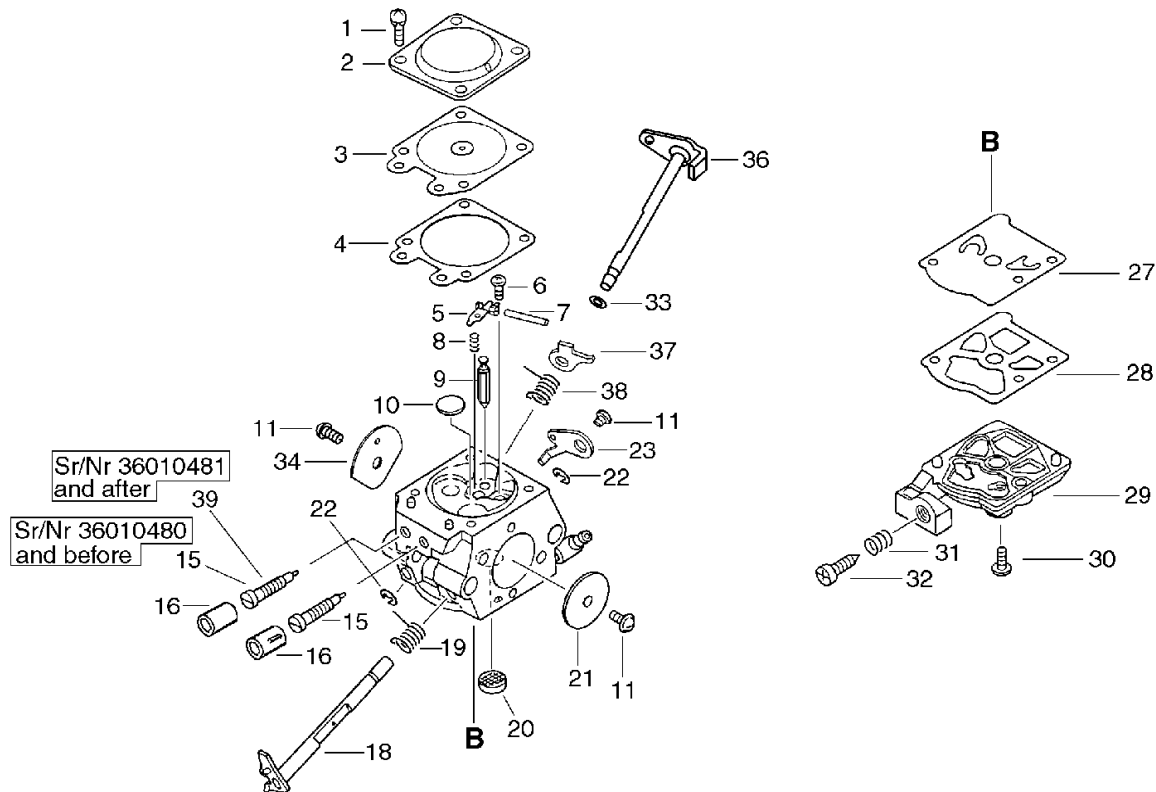
KEY	LV	PART NUMBER	Q'TY	DESCRIPTION	REMARKS	NOTE1	NOTE2
28	+	900560-00005	1	NUT, LOCK 5	5	Sus. by 900562-50005	
28	+	900562-50005	1	LOCKNUT 5	5		
29	+	V452-000110	1	SPRING, TORSION			
31	+	433116-35430	1	SPACER 8	8*12*9		
32	+	V450-000070	1	SPRING, COMPRESSION			
33	+	C328-000030	1	BAND, BRAKE			
34	+	93050-30098	1	ROLLER	F3*9.8		
52	+	C320-000032	1	LEVER, BRAKE		Sus. by C320-000033	
53	+	C334-000060	1	CONNECTOR, BRAKE		Sus. by C334-000070	
53	+	C334-000070	1	CONNECTOR, BRAKE			
54	+	V376-000540	1	SPACER		Sr/Nr 36002200 and before	
54	+	V376-000450	1	SPACER		Sr/Nr 36002201 and after	

12. Chain Brake Assy(Sr/Nr 36024681 and after)



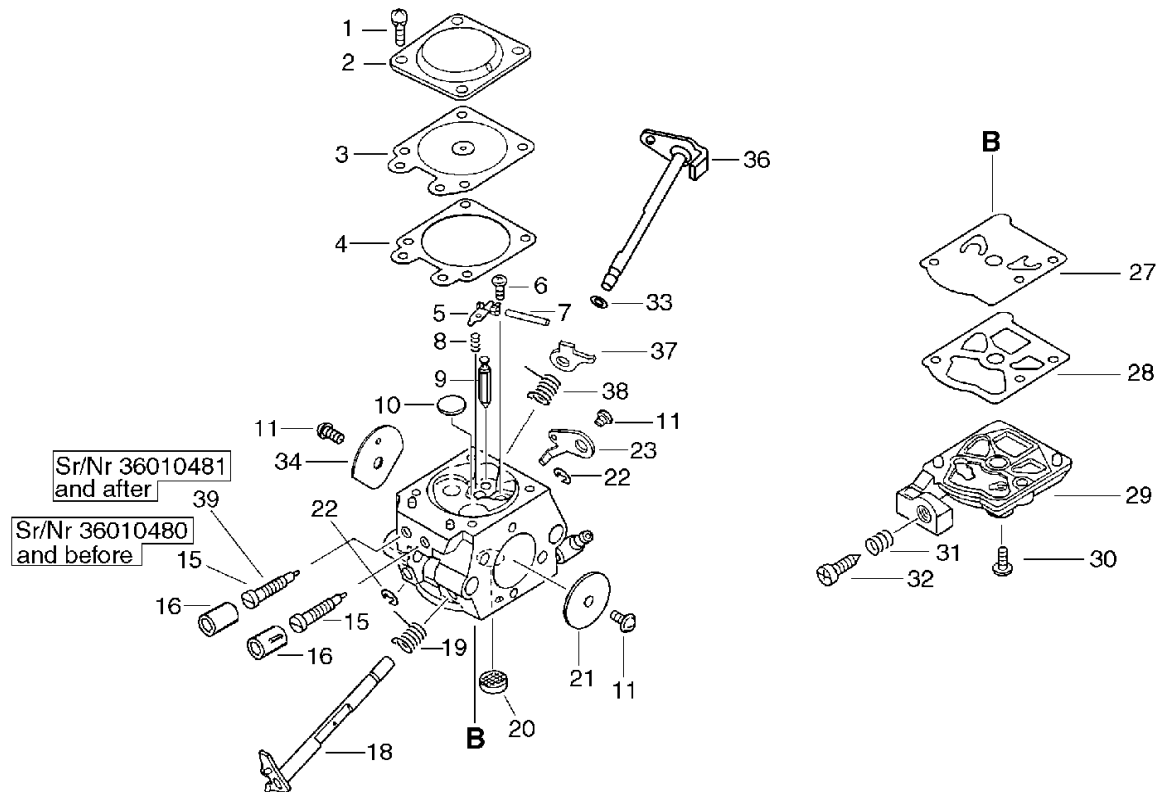
KEY	LV	PART NUMBER	Q'TY	DESCRIPTION	REMARKS	NOTE1	NOTE2
		C032-000203	1	BRAKE,ASM CHAIN		Sus. by C032-000204	
		C032-000204	1	BRAKE,ASM CHAIN		Sus. by C032-000205	
		C032-000205	1	BRAKE,ASM CHAIN		Sus. by C032-000206	
11	+	C300-000242	1	GUARD,SPROCKET			
21	+	C345-000084	1	COVER,BRAKE			
22	+	900253-04012	3	SCREW	4*12		
24	+	900330-30260	2	ROLLER 3*26	3*26		
25	+	91318-05032	1	SCREW	5*32		
26	+	433167-39130	1	SPACER			
27	+	V353-000060	1	COLLAR,5			
28	+	900562-50005	1	LOCKNUT 5	5		
29	+	V452-000110	1	SPRING,TORSION			
31	+	433116-35430	1	SPACER 8	8*12*9		
32	+	V450-000070	1	SPRING,COMPRESSION			
33	+	C328-000030	1	BAND,BRAKE			
34	+	93050-30098	1	ROLLER	F3*9.8		
52	+	C320-000032	1	LEVER,BRAKE		Sus. by C320-000033	
52	+	C320-000033	1	LEVER,BRAKE		Sus. by C320-000034	
53	+	C334-000070	1	CONNECTOR,BRAKE			
54	+	V376-000450	1	SPACER			

13. Carburetor



KEY	LV	PART NUMBER	Q'TY	DESCRIPTION	REMARKS	NOTE1	NOTE2
		A021-000860	1	CARBURETOR,DIAPHRAGM	WT-698	Sus. by A021-000862	
		A021-000861	1	CARBURETOR,DIAPHRAGM	WT-698A	Sus. by A021-000862	
		A021-000862	1	CARBURETOR,DIAPHRAGM	WT-698A		
1	+	123130-02960	4	SCREW			
2	+	123142-03930	1	COVER, M. DIAPHRAGM			
3	+	123141-03930	1	DIAPHRAGM, METERING			
4	+	123140-03930	1	GASKET, M. DIAPHRAGM			
5	+	123123-03930	1	LEVER, METERING			
6	+	123139-03930	1	SCREW, M. LEVER PIN			
7	+	123138-03930	1	PIN, METERING LEVER			
8	+	123122-03660	1	SPRING, METER. LEVER		Sr/Nr 36010480 and before	
8	+	123122-39830	1	SPRING, METER. LEVER		Sr/Nr 36010481 and after	
9	+	123137-19830	1	VALVE, INLET NEEDLE			
10	+	123146-10631	1	PLUG, WELCH			
11	+	123114-38830	3	SCREW			
15	+	123118-02261	2	NEEDLE		Sr/Nr 36010480 and before	
15	+	123118-02261	1	NEEDLE		Sr/Nr 36010481 and after	
16	+	P003-000010	2	LIMITER CAP			
18	+	P003-000480	1	SHAFT, THROTTLE			
19	+	123113-37530	1	SPRING, THROTTLE RTN			

13. Carburetor



KEY	LV	PART NUMBER	Q'TY	DESCRIPTION	REMARKS	NOTE1	NOTE2
20	+	123126-10631	1	SCREEN, INLET			
21	+	123116-10530	1	VALVE, THROTTLE			
22	+	123127-15030	2	RING			
23	+	P003-000380	1	THROTTLE, LEVER			
27	+	123112-15030	1	DIAPHRAGM, FUEL PUMP			
28	+	123125-15030	1	GASKET, FUEL PUMP			
29	+	123124-24430	1	COVER, FUEL PUMP			
30	+	123110-03930	1	SCREW, PUMP COVER			
31	+	123133-04260	1	SPRING, IDLE ADJUST			
32	+	123134-04260	1	SCREW, IDLE ADJUST			
33	+	123149-26030	1	WASHER			
34	+	123132-35430	1	VALVE, CHOKE			
36	+	P003-001140	1	SHAFT, CHOKE			
37	+	P003-000160	1	LEVER-FAST IDLE		Sr/Nr 36010480 and before	
37	+	P003-001480	1	LEVER-FAST IDLE		Sus. by P003- 001510	
37	+	P003-001510	1	LEVER-FAST IDLE		Sr/Nr 36010481 and after	
38	+	P003-000140	1	SPRING		Sr/Nr 36010480 and before	
38	+	P003-001470	1	SPRING		Sr/Nr 36010481 and after	
39	+	123120-52131	1	NEEDLE, HIGH SPEED		Sr/Nr 36010481 and after	

Index

Patrs Number	Key No.	Patrs Number	Key No.	Patrs Number	Key No.
100011-46430	1 - 4	150117-16430	5 - 10	895812-03930	10 - 41
100011-46430	2 - 4	150117-16430	6 - 10	895812-03930	9 - 41
100013-15330	1 - 5	156110-04920	5 - 13	898568-14530	10 - 39
100013-15330	2 - 5	156110-04920	6 - 13	898568-14530	9 - 39
100014-60930	1 - 7	162010-55930	5 - 11	900105-05014	5 - 7
100014-60930	2 - 7	162010-55930	6 - 11	900106-05020	1 - 19
100015-04630	1 - 6	163911-30130	1 - 22	900106-05020	1 - 19
100015-04630	2 - 6	163911-30130	2 - 22	900106-05020	2 - 19
100142-12330	1 - 30	175005-39132	10 - 3	900106-05030	1 - 24
100142-12330	2 - 30	175005-39132	9 - 3	900106-05030	2 - 24
100910-18830	8 - 17	175012-00831	10 - 4	900162-04025	8 - 29
100918-15130	8 - 18	175012-00831	9 - 4	900162-05025	1 - 2
123110-03930	13 - 30	175012-35630	9 - 4	900162-05025	2 - 2
123112-15030	13 - 27	175014-39130	9 - 10	900238-04012	7 - 4
123113-37530	13 - 19	175014-39131	9 - 10	900238-05012	1 - 34
123114-38830	13 - 11	177234-35430	5 - 3	900238-05012	2 - 34
123116-10530	13 - 21	177234-35430	6 - 3	900238-05022	5 - 9
123118-02261	13 - 15	177236-61830	5 - 29	900238-05022	6 - 9
123118-02261	13 - 15	177236-61830	6 - 29	900238-05050	3 - 10
123120-52131	13 - 39	177247-04630	5 - 5	900238-05050	4 - 10
123122-03660	13 - 8	177247-04630	6 - 5	900250-04008	3 - 7
123122-39830	13 - 8	430211-13431	10 - 50	900250-04008	4 - 7
123123-03930	13 - 5	430211-13431	9 - 50	900253-04010	1 - 18
123124-24430	13 - 29	430219-38730	10 - 50	900253-04010	2 - 18
123125-15030	13 - 28	430219-38730	9 - 50	900253-04012	10 - 15
123126-10631	13 - 20	431010-39230	10 - 49	900253-04012	10 - 22
123127-15030	13 - 22	431010-39230	9 - 49	900253-04012	1 - 21
123130-02960	13 - 1	431011-39230	10 - 49	900253-04012	11 - 22
123132-35430	13 - 34	431011-39230	9 - 49	900253-04012	12 - 22
123133-04260	13 - 31	431019-39230	10 - 49	900253-04012	2 - 21
123134-04260	13 - 32	431019-39230	9 - 49	900253-04012	9 - 15
123137-19830	13 - 9	433011-03931	1 - 17	900253-04012	9 - 22
123138-03930	13 - 7	433011-03931	2 - 17	900253-04016	10 - 2
123139-03930	13 - 6	433019-03933	10 - 12	900253-04016	9 - 2
123140-03930	13 - 4	433019-03933	9 - 12	900253-05020	1 - 26
123141-03930	13 - 3	433026-35430	1 - 36	900253-05020	1 - 28
123142-03930	13 - 2	433026-35430	2 - 36	900253-05020	2 - 26
123146-10631	13 - 10	433116-35430	10 - 31	900253-05020	2 - 28
123149-26030	13 - 33	433116-35430	11 - 31	900253-05020	8 - 8
130020-33330	8 - 4	433116-35430	12 - 31	900256-04016	5 - 30
131205-14930	7 - 19	433116-35430	9 - 31	900256-04016	6 - 30
131300-56430	7 - 21	433167-39130	10 - 26	900256-04016	8 - 5
132013-09820	7 - 18	433167-39130	11 - 26	900256-04016	8 - 6
132013-26630	7 - 12	433167-39130	12 - 26	900330-30260	10 - 24
132013-26630	7 - 12	433167-39130	9 - 26	900330-30260	11 - 24
132115-01461	7 - 13	436114-13930	7 - 9	900330-30260	12 - 24
132115-01461	7 - 13	436205-02832	7 - 10	900330-30260	9 - 24
145510-13931	3 - 4	895410-03930	10 - 40	900515-00008	5 - 2
145510-13931	4 - 4	895410-03930	9 - 40	900515-00008	6 - 2

Index

Patrs Number	Key No.	Patrs Number	Key No.	Patrs Number	Key No.
900560-00005	11 - 28	A226-000180	3 - 12	C032-000204	12 -
900560-00005	9 - 28	A226-000180	4 - 12	C032-000205	12 -
900562-50005	10 - 28	A232-000160	3 - 13	C300-000240	11 - 11
900562-50005	11 - 28	A232-000160	4 - 13	C300-000240	9 - 11
900562-50005	12 - 28	A235-000040	3 - 14	C300-000241	11 - 11
900562-50005	9 - 28	A235-000040	4 - 14	C300-000241	9 - 11
900603-00005	5 - 6	A239-000000	8 - 2	C300-000242	10 - 11
900603-00005	6 - 6	A240-000001	8 - 13	C300-000242	11 - 11
900720-00018	7 - 6	A240-000010	8 - 13	C300-000242	12 - 11
900720-00018	7 - 6	A253-000043	8 - 1	C304-000000	1 - 27
900724-00004	1 - 25	A300-000370	3 - 2	C304-000000	2 - 27
900724-00004	2 - 25	A300-000370	4 - 2	C305-000070	1 - 15
91107-05040	3 - 6	A301-000000	3 - 5	C305-000080	2 - 15
91107-05040	4 - 6	A301-000000	4 - 5	C309-000030	10 - 16
91318-05032	10 - 25	A320-000181	9 - 1	C309-000030	9 - 16
91318-05032	11 - 25	A320-000182	9 - 1	C320-000032	10 - 52
91318-05032	12 - 25	A320-000183	10 - 1	C320-000032	11 - 52
91318-05032	9 - 25	A320-000183	9 - 1	C320-000032	12 - 52
91481-04035	8 - 25	A365-000050	7 - 7	C320-000032	9 - 52
93050-30098	10 - 34	A365-000050	7 - 7	C320-000033	10 - 52
93050-30098	11 - 34	A409-000170	5 - 1	C320-000033	12 - 52
93050-30098	12 - 34	A409-000170	6 - 1	C328-000030	10 - 33
93050-30098	9 - 34	A411-000150	5 - 8	C328-000030	11 - 33
94035-36201	1 - 10	A411-000150	6 - 8	C328-000030	12 - 33
94035-36201	2 - 10	A425-000000	5 - 14	C328-000030	9 - 33
A021-000860	13 -	A425-000000	6 - 14	C334-000060	11 - 53
A021-000860	3 - 8	A426-000010	5 - 15	C334-000060	9 - 53
A021-000861	13 -	A426-000010	6 - 15	C334-000070	10 - 53
A021-000861	3 - 8	A427-000012	5 - 16	C334-000070	11 - 53
A021-000862	13 -	A427-000012	6 - 16	C334-000070	12 - 53
A021-000862	3 - 8	A506-000030	5 - 26	C334-000070	9 - 53
A021-000862	4 - 8	A506-000030	6 - 26	C345-000082	11 - 21
A051-000790	5 - 20	A507-000020	5 - 28	C345-000082	9 - 21
A051-000791	5 - 20	A507-000021	5 - 28	C345-000083	11 - 21
A051-000792	5 - 20	A507-000021	6 - 28	C345-000083	9 - 21
A051-000792	6 - 20	A514-000020	5 - 4	C345-000083	9 - 21
A056-000070	10 - 5	A514-000020	6 - 4	C345-000084	10 - 21
A056-000070	9 - 5	A551-000010	10 - 9	C345-000084	11 - 21
A127-000050	1 - 20	A551-000010	9 - 9	C345-000084	12 - 21
A127-000050	2 - 20	A552-000020	10 - 6	C400-000160	8 - 7
A172-000500	5 - 18	A552-000020	9 - 6	C450-000010	8 - 9
A172-000501	5 - 18	C022-000000	7 - 2	C454-000070	8 - 10
A172-000501	6 - 18	C022-000020	7 - 2	C460-000002	8 - 12
A202-000032	1 - 31	C032-000200	11 -	C626-000040	8 - 27
A202-000033	8 - 30	C032-000201	11 -	C646-000040	8 - 28
A204-000041	3 - 9	C032-000202	11 -	P003-000010	13 - 16
A204-000041	4 - 9	C032-000203	11 -	P003-000140	13 - 38
A204-000051	3 - 9	C032-000203	12 -	P003-000160	13 - 37
A204-000052	3 - 9	C032-000204	11 -	P003-000380	13 - 23

Index

Patrs Number	Key No.	Patrs Number	Key No.	Patrs Number	Key No.
P003-000480	13 - 18	P022-009771	6 - 21	V475-002390	6 - 17
P003-001140	13 - 36	V137-000000	7 - 22	V485-000140	5 - 12
P003-001470	13 - 38	V137-000020	7 - 20	V485-000140	6 - 12
P003-001480	13 - 37	V186-000020	7 - 26	V485-000340	8 - 21
P003-001510	13 - 37	V202-000000	8 - 16	V486-000010	8 - 20
P021-001980	7 - 1	V203-000041	10 - 17	V505-000010	1 - 11
P021-004952	3 - 1	V203-000041	9 - 17	V505-000010	2 - 11
P021-004952	4 - 1	V203-000080	5 - 7	V553-000040	1 - 8
P021-004965	8 - 3	V203-000080	6 - 7	V553-000040	2 - 8
P021-004966	8 - 3	V308-000030	7 - 27	V651-000001	10 - 19
P021-004967	8 - 3	V352-000020	8 - 26	V651-000001	9 - 19
P021-004969	8 - 3	V353-000060	10 - 27	V651-000011	10 - 18
P021-005491	1 - 1	V353-000060	11 - 27	V651-000011	9 - 18
P021-005491	2 - 1	V353-000060	12 - 27	V652-000010	1 - 12
P021-005500	1 - 3	V353-000060	9 - 27	V652-000010	7 - 3
P021-005501	1 - 3	V355-000140	10 - 20	V652-000030	7 - 3
P021-005501	2 - 3	V355-000140	9 - 20	X122-000070	9 - 50
P021-005510	1 - 9	V356-000290	7 - 28	X122-000071	10 - 50
P021-005511	1 - 9	V359-000060	1 - 32	X122-000071	9 - 50
P021-005512	1 - 9	V359-000060	2 - 32	X502-000020	10 - 42
P021-005581	7 - 8	V376-000450	10 - 54	X502-000020	9 - 42
P021-005591	7 - 5	V376-000450	11 - 54	X502-000100	5 - 31
P021-005810	10 - 7	V376-000450	12 - 54	X502-000100	6 - 31
P021-005810	9 - 7	V376-000450	9 - 54	X502-000101	6 - 31
P021-006951	10 - 38	V376-000540	11 - 54	X502-000130	5 - 31
P021-006951	9 - 38	V376-000540	9 - 54	X502-000340	10 - 42
P021-008650	3 - 3	V400-000020	8 - 15	X503-006210	3 - 15
P021-008650	4 - 3	V400-000021	8 - 15	X503-006210	4 - 15
P021-008670	1 - 23	V450-000070	10 - 32	X505-000180	5 - 32
P021-008671	1 - 23	V450-000070	11 - 32	X505-000180	6 - 32
P021-008672	1 - 23	V450-000070	12 - 32	X505-000370	10 - 48
P021-008673	1 - 23	V450-000070	9 - 32	X505-000370	9 - 48
P021-008674	1 - 23	V451-000470	10 - 8	X524-000910	8 - 22
P021-008675	1 - 23	V451-000470	9 - 8		
P021-008676	2 - 23	V452-000010	8 - 11		
P021-009930	4 - 1	V452-000110	10 - 29		
P021-010700	1 - 9	V452-000110	11 - 29		
P021-010701	1 - 9	V452-000110	12 - 29		
P021-010701	2 - 9	V452-000110	9 - 29		
P021-010890	7 - 1	V452-000220	5 - 27		
P021-011510	8 - 3	V452-000220	6 - 27		
P022-001330	5 - 24	V470-000320	7 - 17		
P022-001330	6 - 24	V470-000481	1 - 35		
P022-005890	5 - 23	V470-000481	2 - 35		
P022-005890	6 - 23	V471-000740	7 - 11		
P022-008440	5 - 25	V471-000750	7 - 16		
P022-008440	6 - 25	V471-000760	7 - 14		
P022-008770	5 - 21	V475-002390	5 - 17		
P022-008771	5 - 21	V475-002390	5 - 17		

YAMABIKO CORPORATION

7-2 SUEHIROCHO 1-CHOME, OHME, TOKYO 198-8760, JAPAN
PHONE: 81-428-32-6118. FAX: 81-428-32-6145.

