



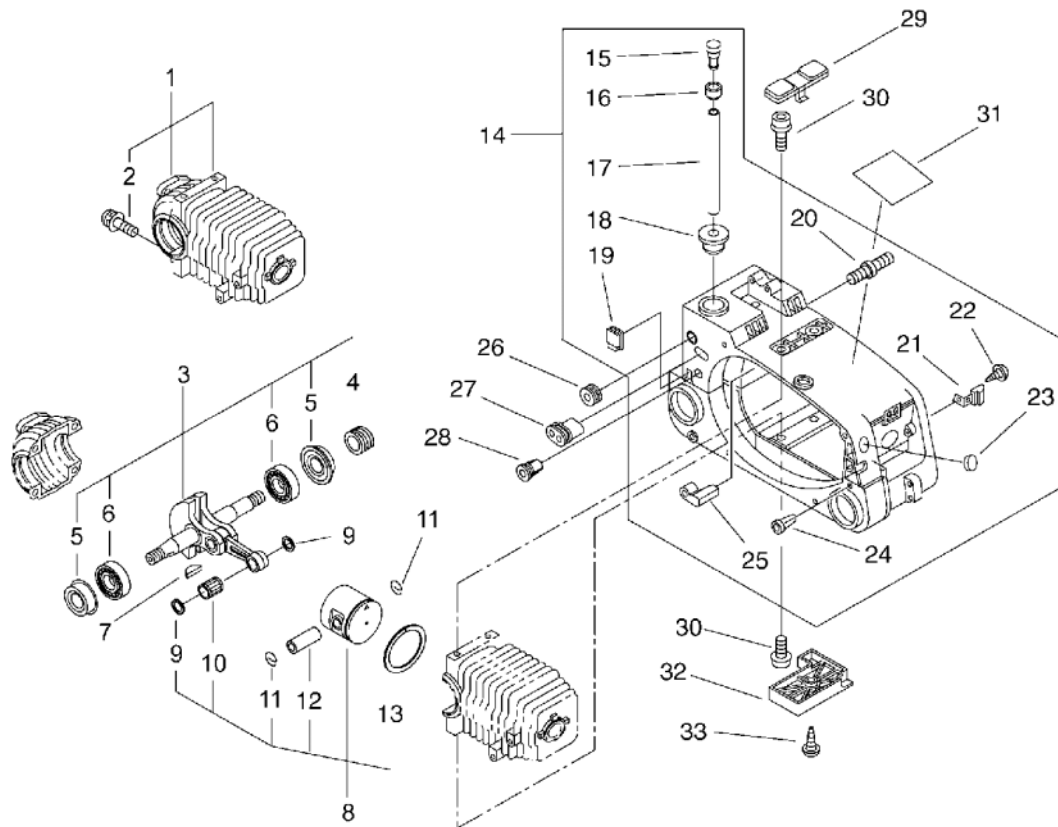
PARTS CATALOGUE

CHAIN SAW CS-3050(STD)

CS-3050(STD)

1. Cylinder, Crankcase, Piston

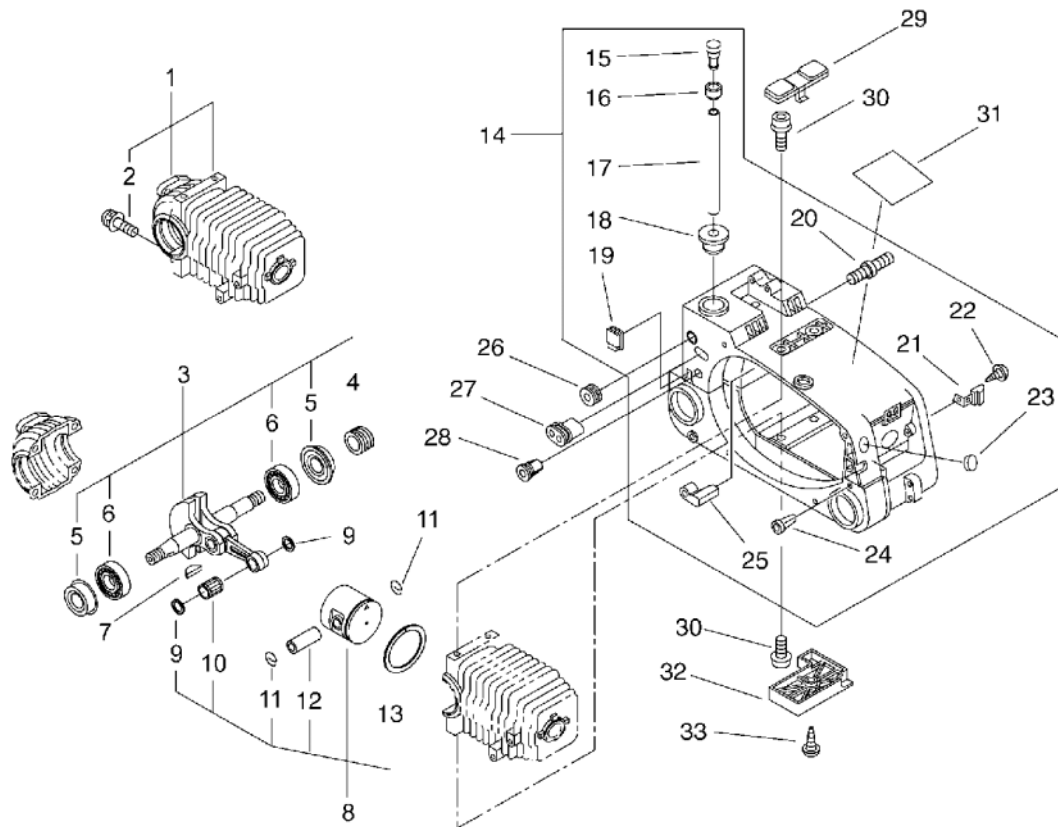
No.1



KEY	LV	PART NUMBER	Q'TY	DESCRIPTION	REMARKS	NOTE1	NOTE2
1		100202-39131	1	CRANKCASE SET			
2	+	900238-05025	4	SCREW 5*25	5*25		
3		P021-007232	1	CRANKSHAFT ASY			
4	+	437063-38330	1	GEAR, WORM			
5	+	94035-36201	2	BEARING BALL	6201X3JR2C3		
6	+	V505-000010	2	SEAL,OIL 12			
7		100142-39130	1	KEY, WOODRUFF			
8		100000-39130	1	PISTON KIT			
9	+	100014-11520	2	SPACER, PISTON PIN			
10	+	175012-03930	1	BEARING, NEEDLE			
11	+	100015-04630	2	CIRCLIP, PISTON PIN			
12	+	100013-15330	1	PIN, PISTON	5.5*8*29		
13	+	100011-46430	1	RING, PISTON			
14		104000-39133	1	COVER KIT, ENGINE			
15	+	131300-56430	1	VALVE, CHECK			
16	+	131328-39130	1	COVER, VENT			
17	+	132010-04920	1	PIPE, FUEL	3*5*150L NBR		
18	+	132115-39130	1	GROMMET, FUEL			
19	+	104034-39130	1	PLUG			
20	+	433011-03931	2	STUD, GUIDE BAR			
21	+	104215-39131	1	LATCH			
22	+	900253-04010	1	SCREW 4*10	4*10		
23	+	163911-39130	1	PLUG			
24	+	436114-13930	1	VALVE, CHECK			
25	+	130336-39530	1	PLUG			
26		178810-03330	1	GROMMET			

1. Cylinder, Crankcase, Piston

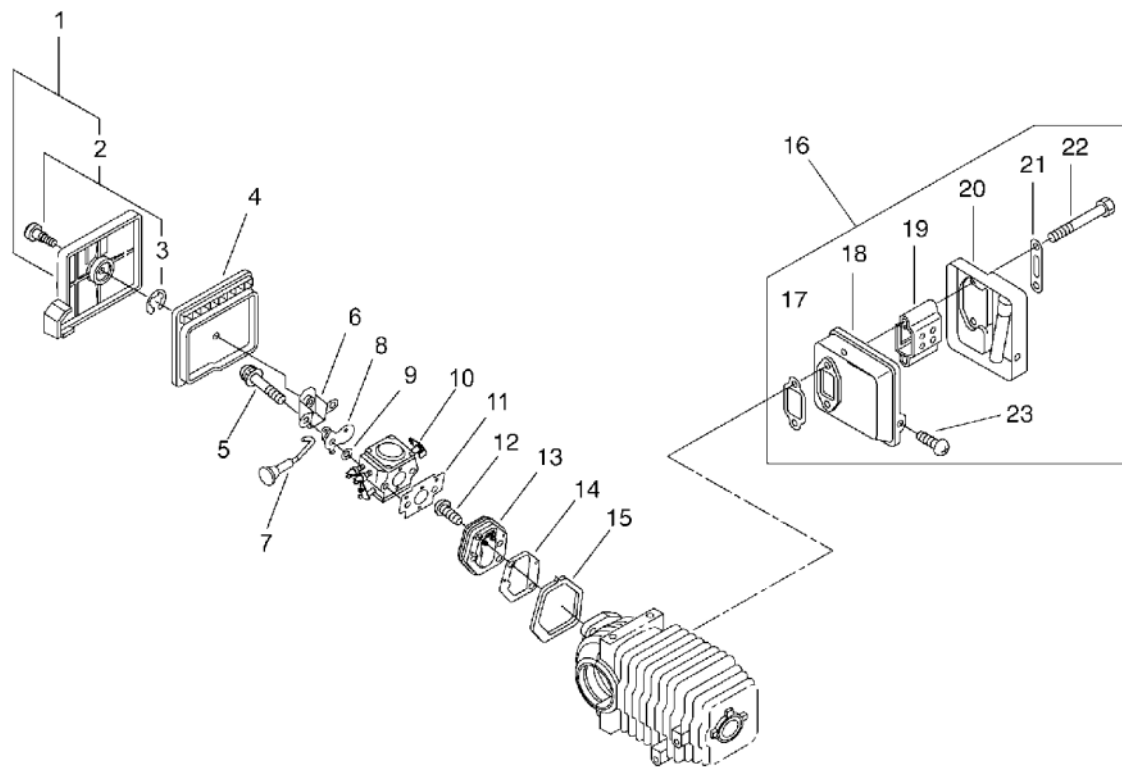
No.1



KEY	LV	PART NUMBER	Q'TY	DESCRIPTION	REMARKS	NOTE1	NOTE2
27		129010-39131	1	GROMMET, NEEDLE			
28		129023-39131	1	GROMMET, IDLE			
29		104029-39130	1	PLUG, UPPER			
30		900106-05016	4	BOLT, H.S. 5*16	5*16		
31		890345-39230	1	LABEL, CAUTION			
32		104044-39130	1	PLUG, LOWER			
33		900256-04016	1	SCREW 4*16	4*16		

2. Air Cleaner, Muffler

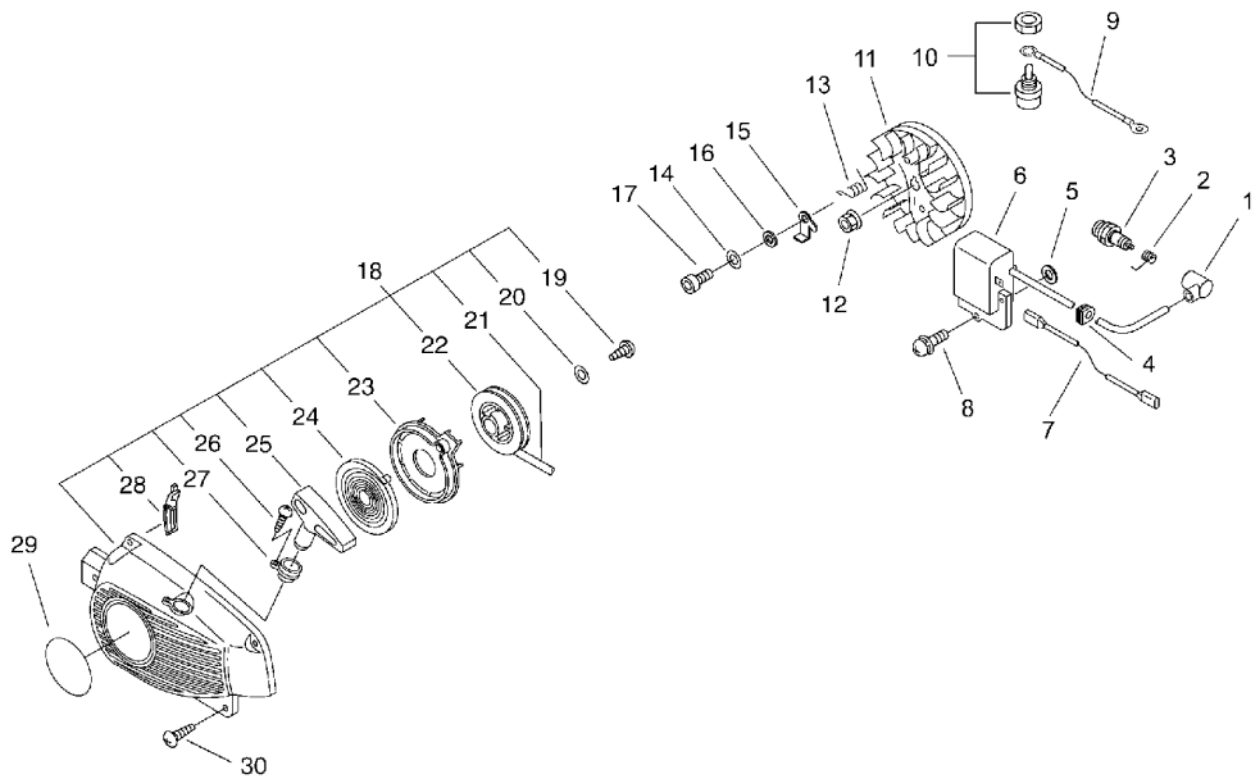
No.2



KEY	LV	PART NUMBER	Q'TY	DESCRIPTION	REMARKS	NOTE1	NOTE2
1		130302-39136	1	COVER ASY, A.CLEANER			
2	+	130406-13933	1	BOLT, THUMB			
3	++	900700-00004	1	E-RING 4	CE-4		
4		130310-39132	1	FILTER, AIR			
5		900238-05045	2	SCREW 5*45	5*45		
6		129011-39130	1	PLATE, PREVENT			
7		178510-39130	1	ROD, CHOKE			
8		178515-39130	1	SHUTTER, CHOKE			
9		178516-03930	2	WASHER			
10		123000-60131	1	CARBURETOR WT-385A	WT-385A		
11		130016-39130	1	GASKET, INTAKE			
12		900250-05018	2	SCREW 5*18	5*18		
13		130000-39131	1	INSULATOR KIT			
14		130010-39130	1	GASKET, INTAKE			
15		130012-39131	1	SEAL			
16		145600-14931	1	MUFFLER ASSY			
17	+	145510-13931	1	GASKET, MUFFLER			
18	+	145858-13931	1	MUFFLER			
19	+	145859-13930	1	SILENCER			
20	+	145606-14931	1	LID, MUFFLER			
21	+	145642-13930	1	WASHER, MUFFLER			
22	+	101023-13930	2	BOLT, MUFFLER			
23	+	900250-04008	1	SCREW 4*8	4*8		

3. Starter, Magneto

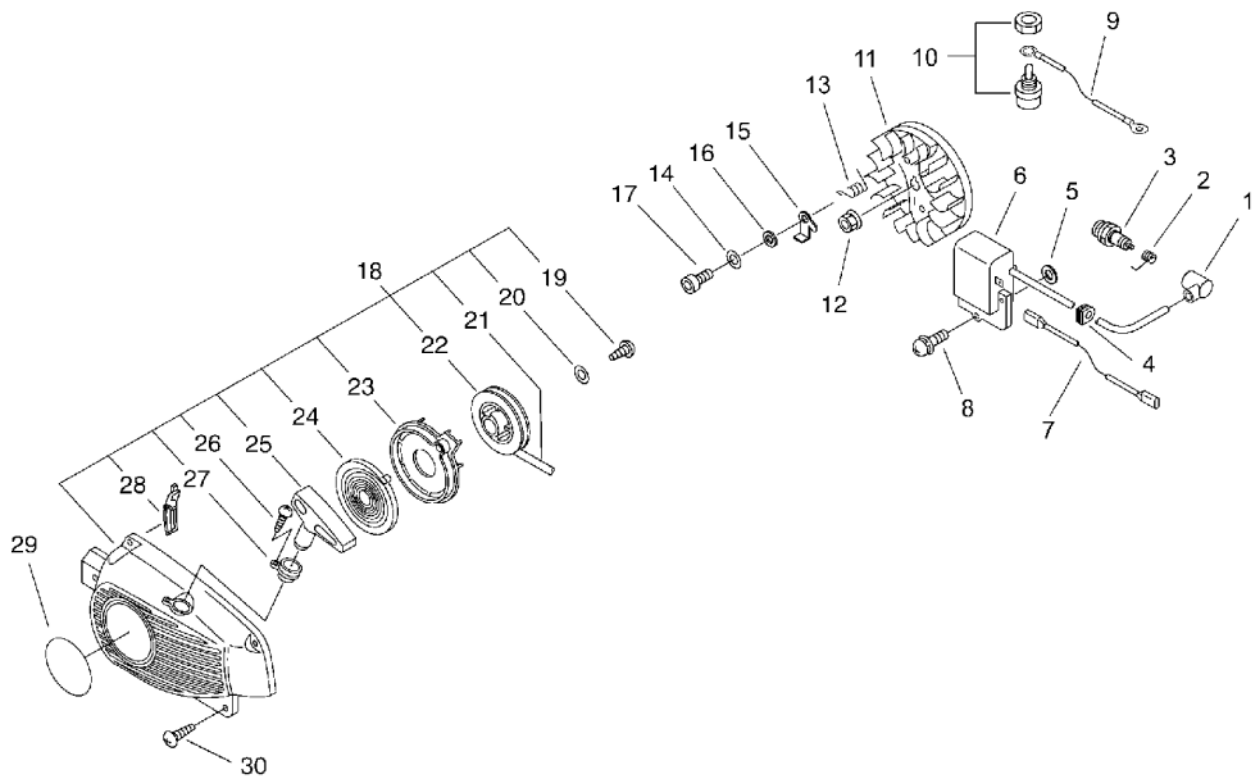
No.3



KEY	LV	PART NUMBER	Q'TY	DESCRIPTION	REMARKS	NOTE1	NOTE2
1		159012-01620	1	CAP, SPARK PLUG			
2		159011-03432	1	COIL, SPARK PLUG			
3		159010-10630	1	PLUG, SPARK (BPM-7A)	BPM-7A		
4		156110-04920	1	BUSHING			
5		150117-16430	2	SPACER			
6		156626-39430	1	COIL, IGNITION			
7		162010-39431	1	LEAD			
8		900238-05022	2	SCREW 5*22	5*22		
9		162010-39131	1	LEAD, GROUD	100L		
10		163400-19830	1	SWITCH, IGNITION			
11		156800-39432	1	ROTOR, MAGNETO	EMG-51 ID C7979N		
12		900515-00008	1	NUT, FLANGE 8	8		
13		177234-35430	2	SPRING, RETURN			
14		900603-00005	4	WASHER 5	5.5*12*0.8	Sus. by 900603- 00005 Q'TY:2	
14		900603-00005	2	WASHER 5	5.5*12*0.8		
15		A514-000000	2	PAWL			
16		177247-04630	2	SPACER, RATCHET	5.2*8*2.1		
17		V203-000090	2	BOLT,5	M5*14		
18		177200-39432	1	STARTER ASY			
19	+	900253-04014	1	SCREW 4*14	4*14		
20	+	177214-04630	1	WASHER	4.1*15.5*1T		
21	+	177226-06530	1	ROPE, STARTER	3.0*850		
22	+	177215-35632	1	REEL,ROPE			

3. Starter, Magneto

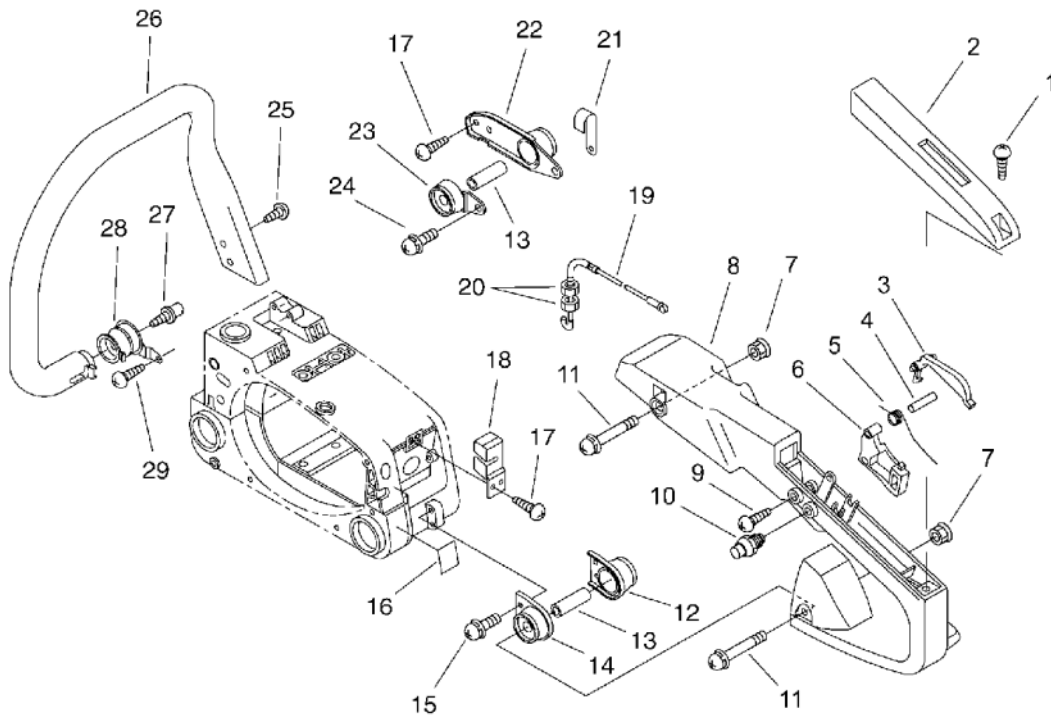
No.3



KEY	LV	PART NUMBER	Q'TY	DESCRIPTION	REMARKS	NOTE1	NOTE2
23	+	177221-35631	1	PLATE, STARTER			
24	+	177220-35430	1	SPRING, REWIND			
25	+	177228-35430	1	GRIP, STARTER (BL)			
26	+	900296-03014	1	SCREW 3*14	3*14 SUS		
27	+	177227-39131	1	GUIDE, ROPE BL			
28	+	177256-39130	1	PLUG			
29		890118-49330	1	LABEL, ECHO			
30		900256-04016	4	SCREW 4*16	4*16		

4. Handle

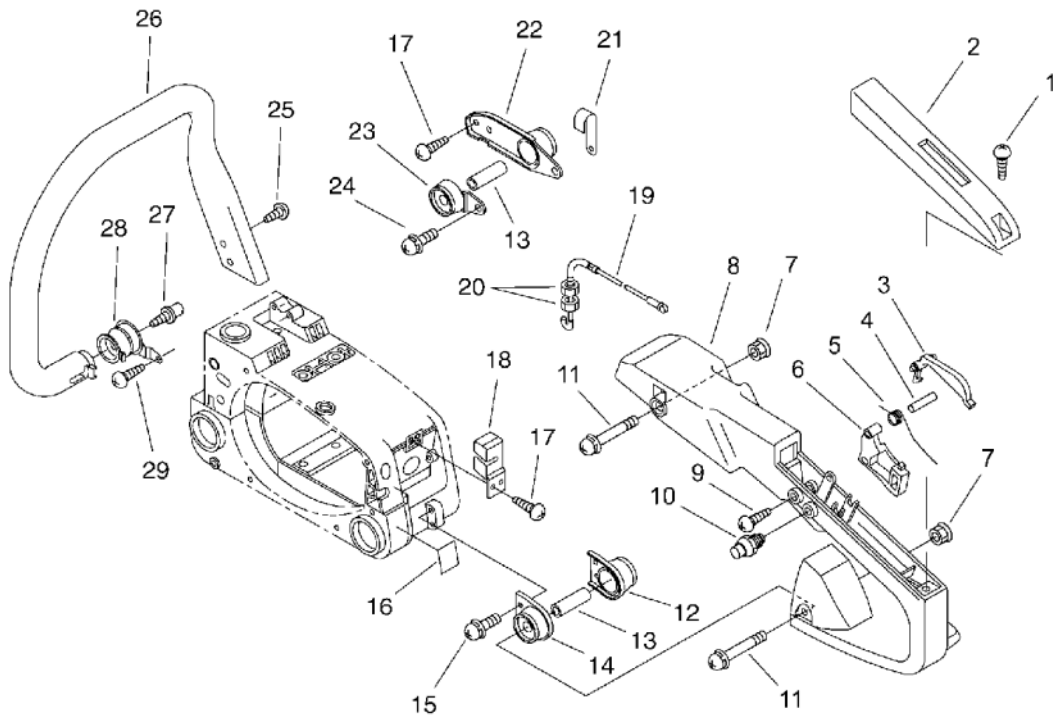
No.4



KEY	LV	PART NUMBER	Q'TY	DESCRIPTION	REMARKS	NOTE1	NOTE2
1		900256-04022	1	SCREW 4*22	4*22		
2		351155-39430	1	COVER, HANDLE			
3		178090-39430	1	LOCKOUT, THROTTLE			
4		900330-40200	1	ROLLER 4*19.8	4*19.8		
5		178091-39430	1	SPRING, THR. LOCKOUT			
6		178010-39430	1	CONTROL, THROTTLE			
7		900516-00005	2	NUT, FRANGE 5	5		
8		351110-39431	1	HANDLE, REAR			
9		900253-04025	1	SCREW 4*25	4*25		
10		178302-37930	1	LATCH, THROTTLE			
11		900238-05057	2	SCREW 5*57	5*57		
12		351621-39430	1	CUSHION (LOWER)			
13		100924-39430	2	COLLAR, 5			
14		351624-39430	1	CUSHION (LOWER)			
15		900238-04014	2	SCREW 4*14	4*14		
16		890157-39130	1	LABEL, SWITCH			
17		900253-04014	4	SCREW 4*14	4*14		
18		100921-39430	1	CUSHION			
19		178001-39430	1	WIRE, THROTTLE			
20		900502-00006	2	NUT 6 (3N)	3N6		
21		159113-18430	1	CLIP			
22		100910-39430	1	CUSHION (UPPER)			
23		100917-39431	1	CUSHION (UPPER)			
24		900238-04010	1	SCREW 4*10	4*10		
25		900253-05020	2	SCREW 5*20	5*20		
26		351610-39430	1	HANDLE, FRONT			

4. Handle

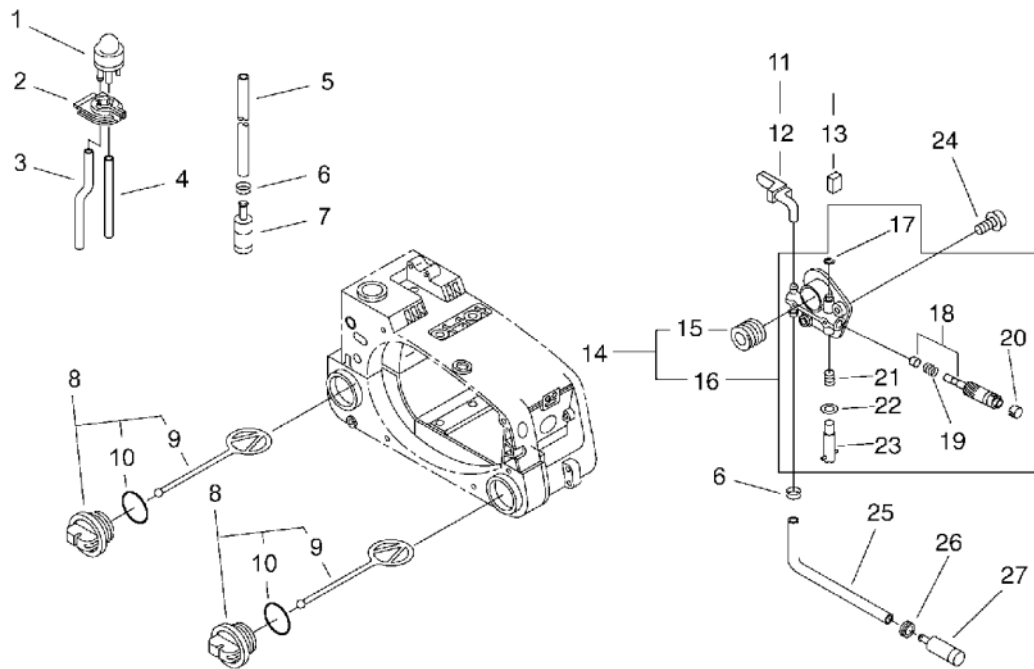
No.4



KEY	LV	PART NUMBER	Q'TY	DESCRIPTION	REMARKS	NOTE1	NOTE2
27		100915-33930	1	SCREW			
28		100910-35630	1	CUSHION			
29		900256-04016	1	SCREW 4*16	4*16		

5. Auto-Oiler

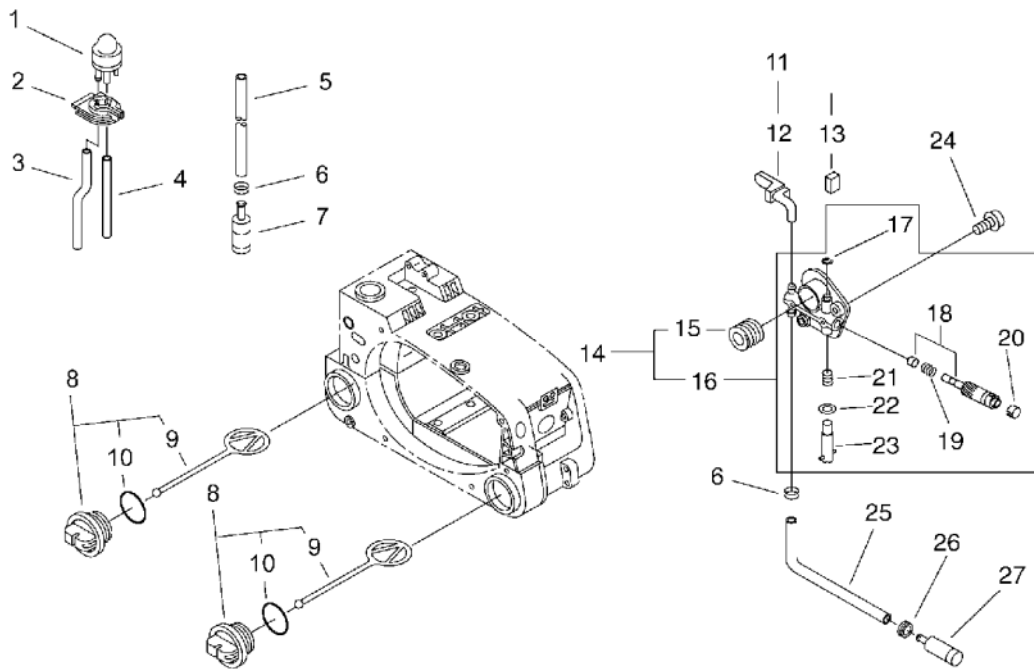
No.5



KEY	LV	PART NUMBER	Q'TY	DESCRIPTION	REMARKS	NOTE1	NOTE2
1		123181-39130	1	PUMP, PRIMER			
2		132758-39131	1	BRACKET, PUMP			
3		132716-39130	1	PIPE 2*4*42	2*4*42		
4		V471-001200	1	PIPE	3*5*70 NBR		
5		132012-39130	1	PIPE	3*6*80 NBR		
6		132013-26630	2	CLIP	6.5MM		
7		131205-14930	1	STRAINER,FUEL			
8		P021-007630	2	CAP ASY,TANK			
9	+	A365-000050	2	CONNECTOR,CAP			
10	+	900721-00025	2	O-RING 25	G-25		
11		437201-39131	1	PIPE KIT, OIL			
12	+	437211-39133	1	PIPE			
13	+	437244-39130	1	PAD, FORM			
14		437000-39130	1	AUTO-OILER ASSY			
15	+	437063-38330	1	GEAR, WORM			
16	+	437002-39130	1	AUTO-OILER ASSY			
17	++	123127-15030	1	RING			
18	++	437024-37330	1	PLUNGER			
19	++	437019-38330	1	SPRING			
20	++	437062-37330	1	CAP, OIL PUMP			
21	++	437015-37330	1	SPRING			
22	++	437029-37330	1	WASHER			
23	++	437016-39130	1	NEEDLE, ADJUST			
24		900235-05012	2	SCREW 5*12	5*12		
25		V471-000110	1	PIPE	3*6*115		
26		132115-01461	1	GROMMET			

5. Auto-Oiler

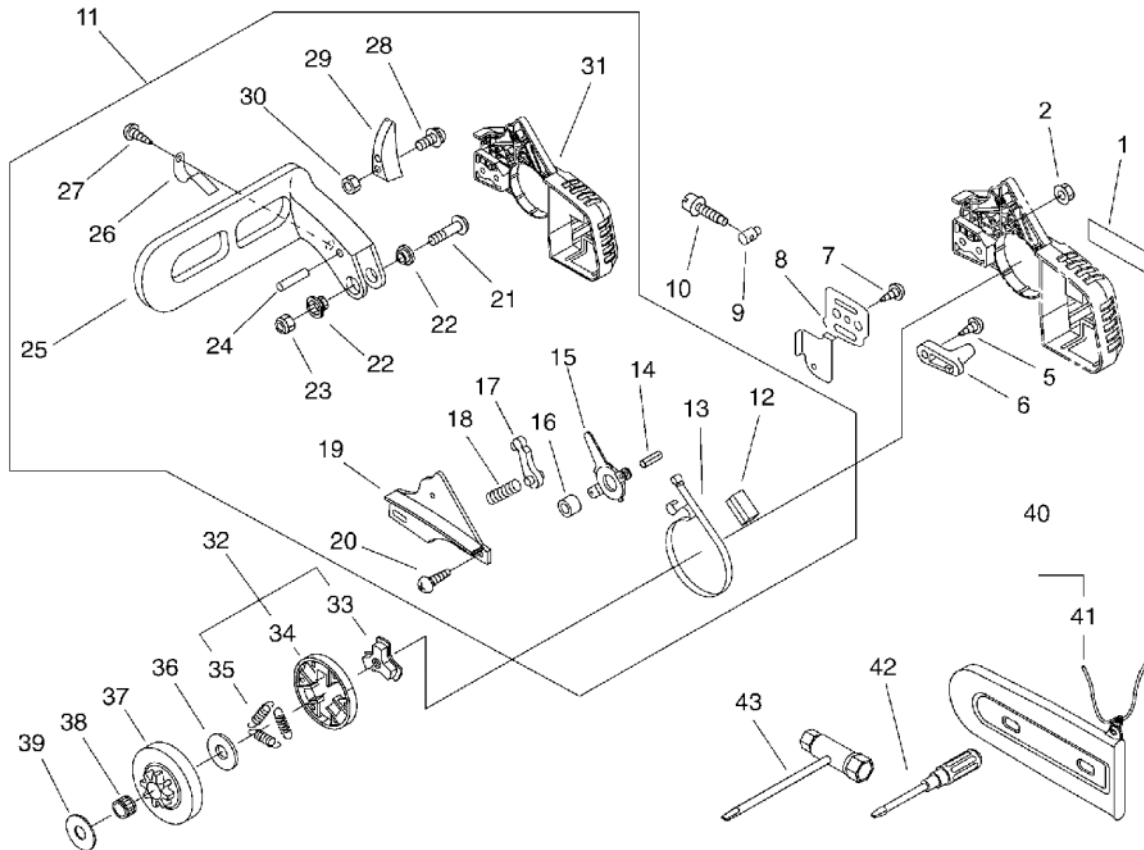
No.5



KEY	LV	PART NUMBER	Q'TY	DESCRIPTION	REMARKS	NOTE1	NOTE2
27		436205-02832	1	STRAINER, OIL			

6. Clutch, Sprocket, Tools

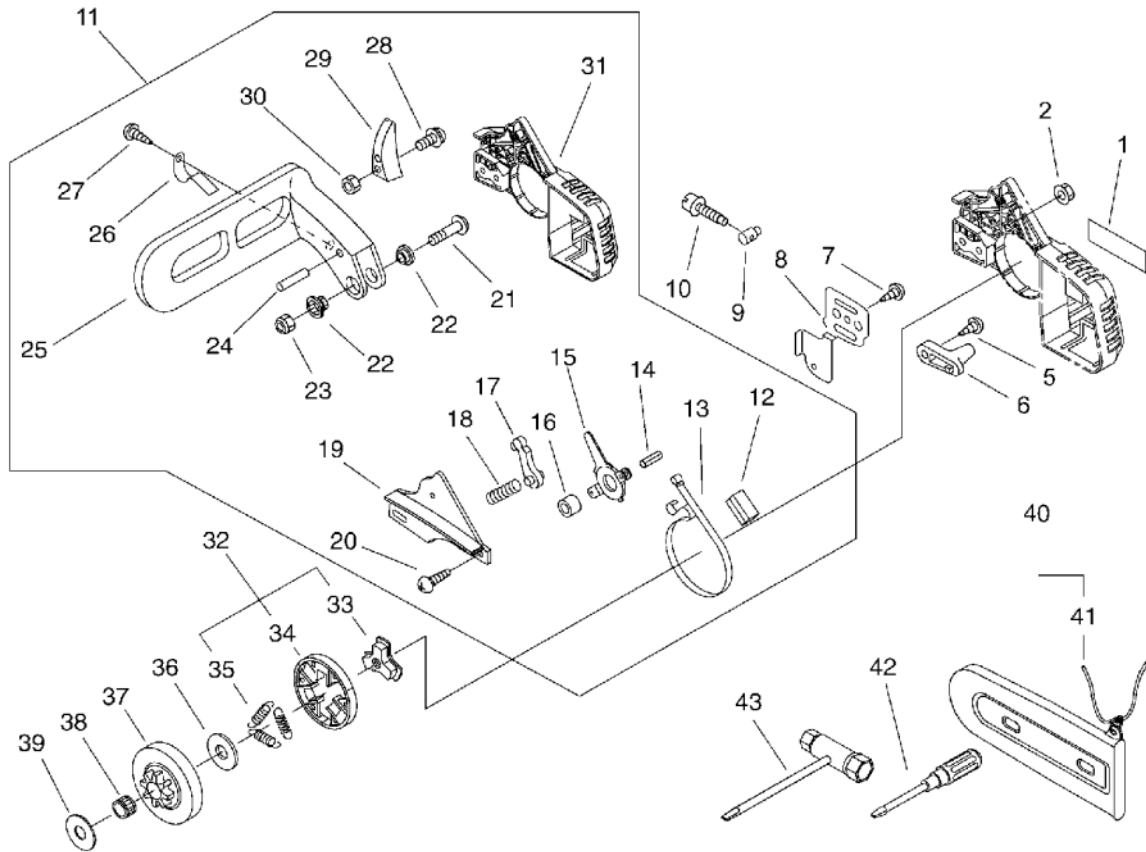
No.6



KEY	LV	PART NUMBER	Q'TY	DESCRIPTION	REMARKS	NOTE1	NOTE2
1		890151-39230	1	LABEL, MODEL			
2		433019-03933	2	NUT, FLANGE 6	6		
5		900253-05020	1	SCREW 5*20	5*20		
6		433026-35430	1	CATCHER, CHAIN			
7		900253-04010	1	SCREW 4*10	4*10		
8		433012-39131	1	PLATE, GUIDE			
9		433014-03931	1	TENSIONER			
10		433016-39131	1	BOLT			
11		433100-39531	1	BRAKE ASY, CHAIN			
12	+	433312-32630	1	COVER, SEAL			
13	+	433123-39130	1	BAND, BRAKE			
14	+	900330-40088	1	ROLLER 4*8.8	4*8.8		
15	+	433208-35431	1	LEVER, BRAKE			
16	+	433116-35430	1	SPACER 8	8*12*9		
17	+	433209-35430	1	STOPPER, BRAKE			
18	+	433122-35430	1	SPRING, BRAKE			
19	+	433310-39130	1	COVER, BRAKE			
20	+	900253-04012	3	SCREW	4*12		
21	+	91318-05032	1	SCREW	5*32		
22	+	433167-39130	2	SPACER			
23	+	900562-50005	1	LOCKNUT 5	5		
24	+	900330-40238	1	ROLLER 4*23.8	4*23.8		
25	+	433111-39531	1	LEVER, BRAKE			
26	+	433114-39130	1	SPRING			
27	+	900253-04010	1	SCREW 4*10	4*10		
28	+	900238-04022	2	SCREW 4*22	4*22		

6. Clutch, Sprocket, Tools

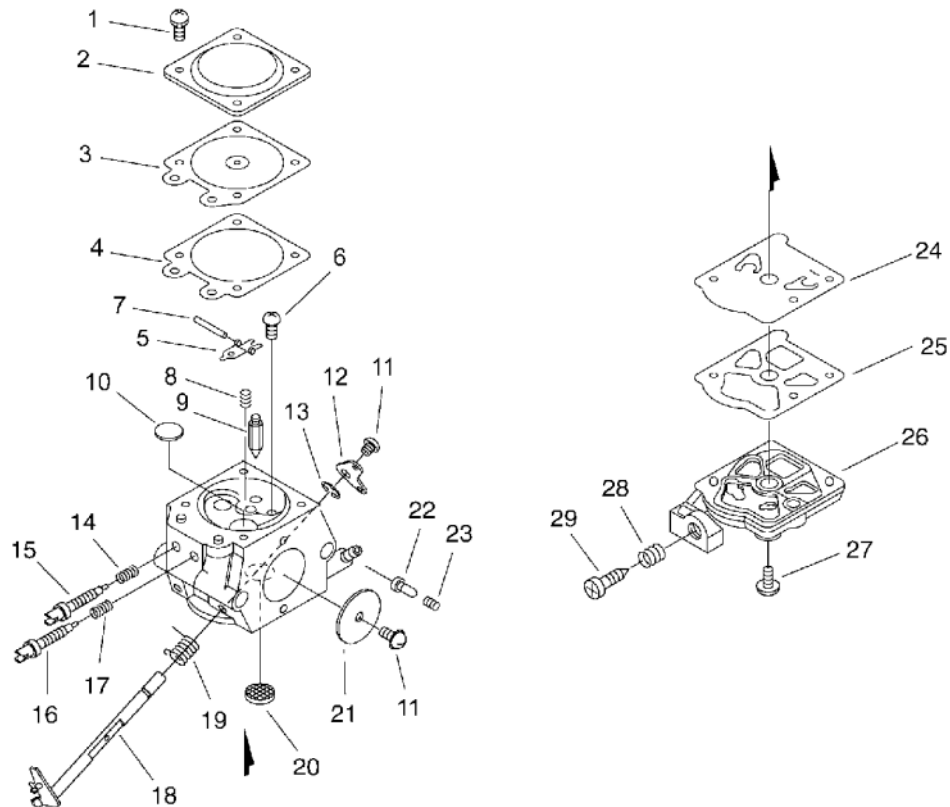
No.6



KEY	LV	PART NUMBER	Q'TY	DESCRIPTION	REMARKS	NOTE1	NOTE2
29	+	433171-39130	1	WEIGHT, BRAKE			
30	+	900500-00004	2	NUT 4	4		
31	+	433005-39133	1	GUARD, SPROCKET			
32		A056-000070	1	CLUTCH			
33	+	A552-000020	1	HUB, CLUTCH			
34	+	P021-005810	1	CLUTCH SHOE SET			
35	+	V451-000470	3	SPRING, TENSION			
36		A551-000010	1	PLATE, CLUTCH			
37		175005-39132	1	DRUM, CLUTCH	3/8A		
38		175012-35630	1	BEARING, NEEDLE	10*13*10		
39		175014-39131	1	WASHER, CLUTCH	10.2*24.5*1.2		
40		P021-006951	1	SCABBARD, CHAIN	(ORANGE)		
41	+	898568-14530	1	ROPE	5*900		
42		895410-03930	1	WRENCH, W/S. DRIVER			
43		895812-03930	1	DRIVER, SCREW 50			

7. Carburetor

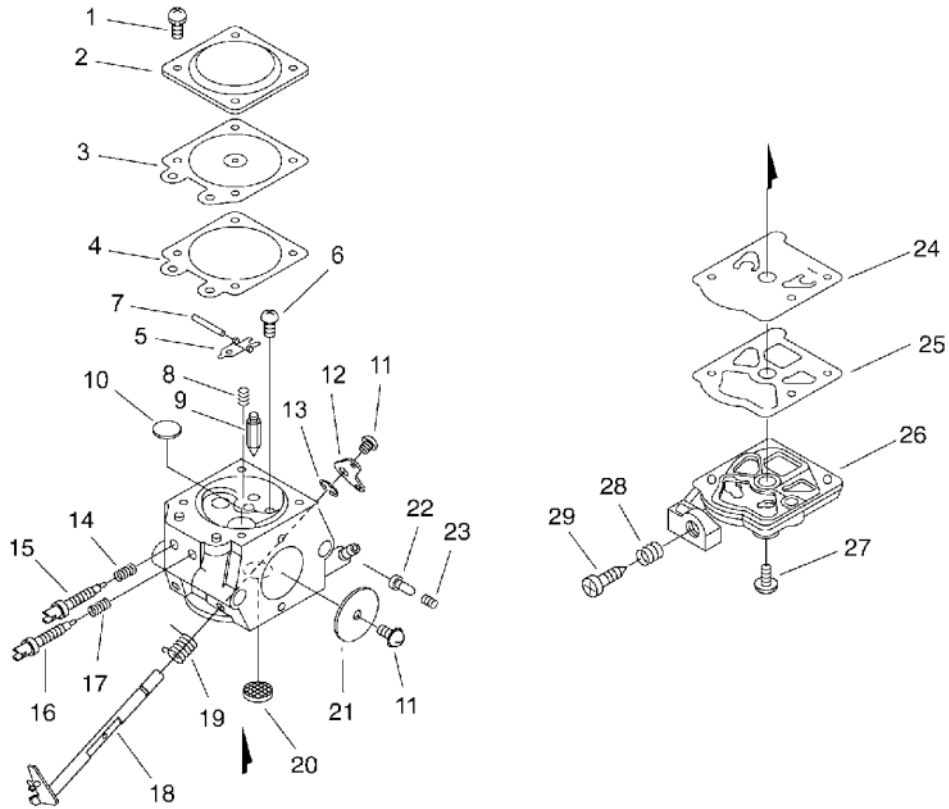
No.7



KEY	LV	PART NUMBER	Q'TY	DESCRIPTION	REMARKS	NOTE1	NOTE2
		123000-60131	1	CARBURETOR WT-385A	WT-385A		
1	+	123130-02960	4	SCREW			
2	+	123142-03930	1	COVER, M. DIAPHRAGM			
3	+	123141-03930	1	DIAPHRAGM, METERING			
4	+	123140-27230	1	GASKET, M. DIAPHRAGM			
5	+	123123-03930	1	LEVER, METERING			
6	+	123139-03930	1	SCREW, M. LEVER PIN			
7	+	123138-03930	1	PIN, METERING LEVER			
8	+	123122-03930	1	SPRING, METER. LEVER			
9	+	123137-04260	1	VALVE, INLET NEEDLE			
10	+	123146-10631	1	PLUG, WELCH			
11	+	123114-38830	2	SCREW			
12	+	123150-39230	1	LEVER, THROTTLE			
13	+	123127-15030	1	RING			
14	+	123119-22130	1	SPRING, NEEDLE			
15	+	123120-39530	1	NEEDLE, HIGH SPEED			
16	+	123118-24430	1	NEEDLE, IDLE			
17	+	123121-22130	1	SPRING, NEEDLE			
18	+	123117-39630	1	SHAFT, THROTTLE			
19	+	123113-47530	1	SPRING, THR. RTN.			
20	+	123126-10631	1	SCREEN, INLET			
21	+	123116-05230	1	VALVE, THROTTLE			
22	+	123185-39130	1	PISTON ASSY			
23	+	123186-34330	1	SPRING, START VALVE			
24	+	123112-15030	1	DIAPHRAGM, FUEL PUMP			
25	+	123125-39630	1	GASKET, FUEL PUMP			

7. Carburetor

No.7



KEY	LV	PART NUMBER	Q'TY	DESCRIPTION	REMARKS	NOTE1	NOTE2
26	+	123124-09320	1	COVER, FUEL PUMP			
27	+	123110-03930	1	SCREW, PUMP COVER			
28	+	123133-11130	1	SPRING, IDLE ADJUST			
29	+	123134-19730	1	SCREW, IDLE ADJUST			

Index

Patrs Number	Key No.	Patrs Number	Key No.	Patrs Number	Key No.
100000-39130	1 - 8	123181-39130	5 - 1	177220-35430	3 - 24
100011-46430	1 - 13	123185-39130	7 - 22	177221-35631	3 - 23
100013-15330	1 - 12	123186-34330	7 - 23	177226-06530	3 - 21
100014-11520	1 - 9	129010-39131	1 - 27	177227-39131	3 - 27
100015-04630	1 - 11	129011-39130	2 - 6	177228-35430	3 - 25
100142-39130	1 - 7	129023-39131	1 - 28	177234-35430	3 - 13
100202-39131	1 - 1	130000-39131	2 - 13	177247-04630	3 - 16
100910-35630	4 - 28	130010-39130	2 - 14	177256-39130	3 - 28
100910-39430	4 - 22	130012-39131	2 - 15	178001-39430	4 - 19
100915-33930	4 - 27	130016-39130	2 - 11	178010-39430	4 - 6
100917-39431	4 - 23	130302-39136	2 - 1	178090-39430	4 - 3
100921-39430	4 - 18	130310-39132	2 - 4	178091-39430	4 - 5
100924-39430	4 - 13	130336-39530	1 - 25	178302-37930	4 - 10
101023-13930	2 - 22	130406-13933	2 - 2	178510-39130	2 - 7
104000-39133	1 - 14	131205-14930	5 - 7	178515-39130	2 - 8
104029-39130	1 - 29	131300-56430	1 - 15	178516-03930	2 - 9
104034-39130	1 - 19	131328-39130	1 - 16	178810-03330	1 - 26
104044-39130	1 - 32	132010-04920	1 - 17	351110-39431	4 - 8
104215-39131	1 - 21	132012-39130	5 - 5	351155-39430	4 - 2
123000-60131	2 - 10	132013-26630	5 - 6	351610-39430	4 - 26
123000-60131	7 -	132115-01461	5 - 26	351621-39430	4 - 12
123110-03930	7 - 27	132115-39130	1 - 18	351624-39430	4 - 14
123112-15030	7 - 24	132716-39130	5 - 3	433005-39133	6 - 31
123113-47530	7 - 19	132758-39131	5 - 2	433011-03931	1 - 20
123114-38830	7 - 11	145510-13931	2 - 17	433012-39131	6 - 8
123116-05230	7 - 21	145600-14931	2 - 16	433014-03931	6 - 9
123117-39630	7 - 18	145606-14931	2 - 20	433016-39131	6 - 10
123118-24430	7 - 16	145642-13930	2 - 21	433019-03933	6 - 2
123119-22130	7 - 14	145858-13931	2 - 18	433026-35430	6 - 6
123120-39530	7 - 15	145859-13930	2 - 19	433100-39531	6 - 11
123121-22130	7 - 17	150117-16430	3 - 5	433111-39531	6 - 25
123122-03930	7 - 8	156110-04920	3 - 4	433114-39130	6 - 26
123123-03930	7 - 5	156626-39430	3 - 6	433116-35430	6 - 16
123124-09320	7 - 26	156800-39432	3 - 11	433122-35430	6 - 18
123125-39630	7 - 25	159010-10630	3 - 3	433123-39130	6 - 13
123126-10631	7 - 20	159011-03432	3 - 2	433167-39130	6 - 22
123127-15030	5 - 17	159012-01620	3 - 1	433171-39130	6 - 29
123127-15030	7 - 13	159113-18430	4 - 21	433208-35431	6 - 15
123130-02960	7 - 1	162010-39131	3 - 9	433209-35430	6 - 17
123133-11130	7 - 28	162010-39431	3 - 7	433310-39130	6 - 19
123134-19730	7 - 29	163400-19830	3 - 10	433312-32630	6 - 12
123137-04260	7 - 9	163911-39130	1 - 23	436114-13930	1 - 24
123138-03930	7 - 7	175005-39132	6 - 37	436205-02832	5 - 27
123139-03930	7 - 6	175012-03930	1 - 10	437000-39130	5 - 14
123140-27230	7 - 4	175012-35630	6 - 38	437002-39130	5 - 16
123141-03930	7 - 3	175014-39131	6 - 39	437015-37330	5 - 21
123142-03930	7 - 2	177200-39432	3 - 18	437016-39130	5 - 23
123146-10631	7 - 10	177214-04630	3 - 20	437019-38330	5 - 19
123150-39230	7 - 12	177215-35632	3 - 22	437024-37330	5 - 18

Index

Patrs Number	Key No.	Patrs Number	Key No.	Patrs Number	Key No.
437029-37330	5 - 22	900700-00004	2 - 3		
437062-37330	5 - 20	900721-00025	5 - 10		
437063-38330	1 - 4	91318-05032	6 - 21		
437063-38330	5 - 15	94035-36201	1 - 5		
437201-39131	5 - 11	A056-000070	6 - 32		
437211-39133	5 - 12	A365-000050	5 - 9		
437244-39130	5 - 13	A514-000000	3 - 15		
890118-49330	3 - 29	A551-000010	6 - 36		
890151-39230	6 - 1	A552-000020	6 - 33		
890157-39130	4 - 16	P021-005810	6 - 34		
890345-39230	1 - 31	P021-006951	6 - 40		
895410-03930	6 - 42	P021-007232	1 - 3		
895812-03930	6 - 43	P021-007630	5 - 8		
898568-14530	6 - 41	V203-000090	3 - 17		
900106-05016	1 - 30	V451-000470	6 - 35		
900235-05012	5 - 24	V471-000110	5 - 25		
900238-04010	4 - 24	V471-001200	5 - 4		
900238-04014	4 - 15	V505-000010	1 - 6		
900238-04022	6 - 28				
900238-05022	3 - 8				
900238-05025	1 - 2				
900238-05045	2 - 5				
900238-05057	4 - 11				
900250-04008	2 - 23				
900250-05018	2 - 12				
900253-04010	1 - 22				
900253-04010	6 - 7				
900253-04010	6 - 27				
900253-04012	6 - 20				
900253-04014	3 - 19				
900253-04014	4 - 17				
900253-04025	4 - 9				
900253-05020	4 - 25				
900253-05020	6 - 5				
900256-04016	1 - 33				
900256-04016	3 - 30				
900256-04016	4 - 29				
900256-04022	4 - 1				
900296-03014	3 - 26				
900330-40088	6 - 14				
900330-40200	4 - 4				
900330-40238	6 - 24				
900500-00004	6 - 30				
900502-00006	4 - 20				
900515-00008	3 - 12				
900516-00005	4 - 7				
900562-50005	6 - 23				
900603-00005	3 - 14				
900603-00005	3 - 14				

YAMABIKO CORPORATION

7-2 SUEHIROCHO 1-CHOME, OHME, TOKYO 198-8760, JAPAN
PHONE: 81-428-32-6118. FAX: 81-428-32-6145.



STD)
No.