



PARTS CATALOG

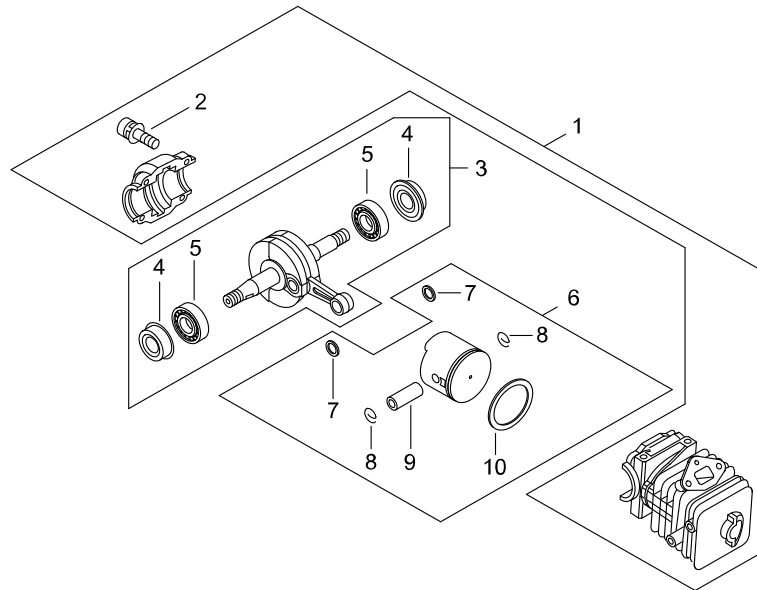
CHAIN SAW CS-281WES(37)25

37000001 -



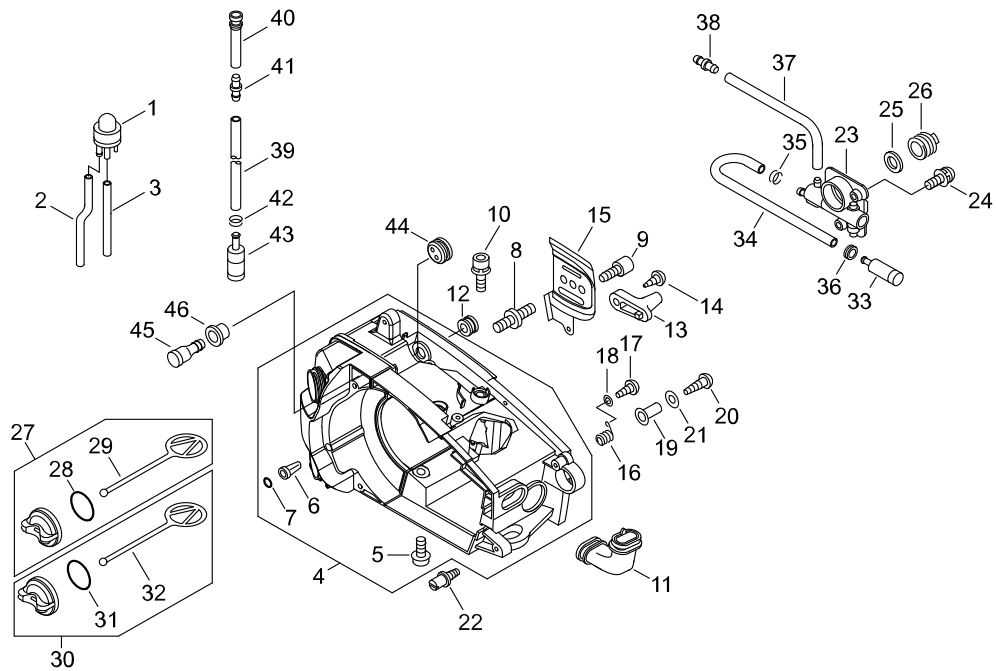
P014-004160-14H

1. CYLINDER, PISTON, CRANKSHAFT



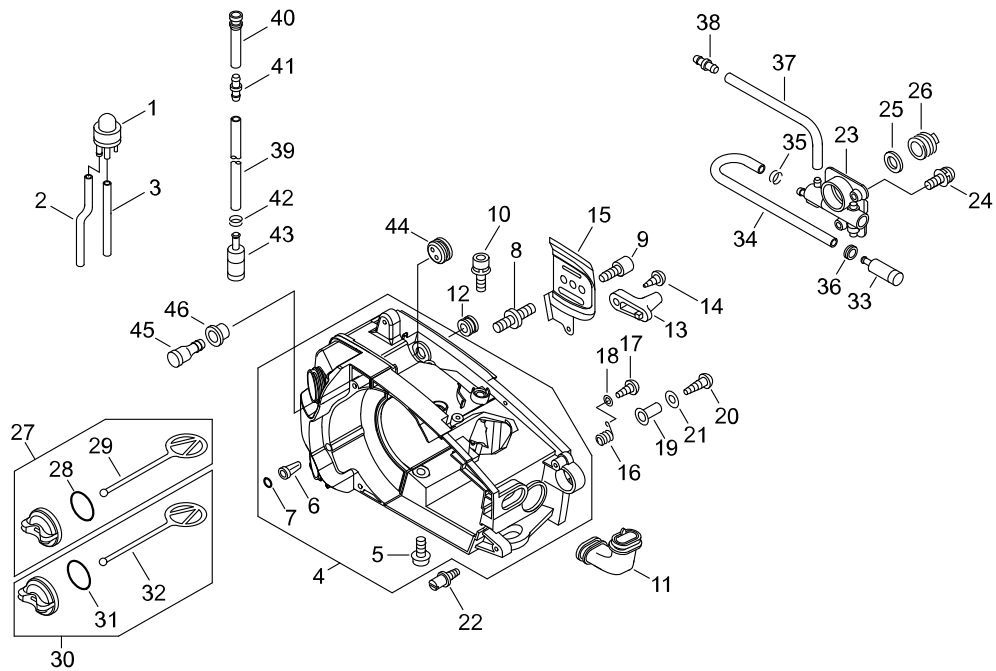
KEY	LV	PART NUMBER	Q'TY	DESCRIPTION	REMARKS	NOTE1	NOTE2
1		P021-044050	1	CYLINDER KIT	CS-271T		
2	+	900162-05022	4	BOLT, H.S. 5*22	5*22 W,SW		
3		P021-038072	1	CRANKSHAFT ASY			
4	+	V505-000001	2	SEAL,OIL	12*28*5.5		
5	+	900800-36001	2	BEARING, BALL 6001	6001/C3		
6		P021-044060	1	PISTON KIT	CS-271T		
7	+	100014-11520	2	SPACER, PISTON PIN			
8	+	100015-04630	2	CIRCLIP, PISTON PIN			
9	+	100013-22330	1	PIN, PISTON			
10	+	A101-000630	1	RING, PISTON			

2. ENGINE COVER



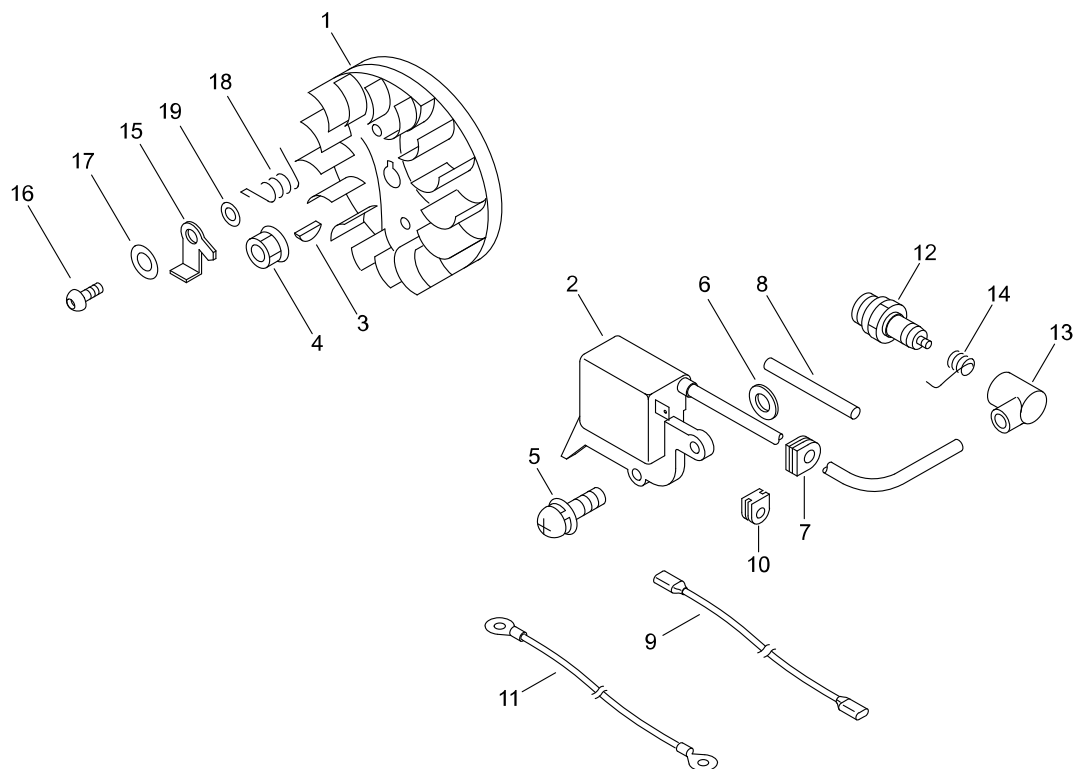
KEY	LV	PART NUMBER	Q'TY	DESCRIPTION	REMARKS	NOTE1	NOTE2
1		123181-39130	1	PUMP, PRIMER			
2		V471-001270	1	PIPE	2.4*5*285		
3		V471-001280	1	PIPE	2.4*5*105		
4		P021-003438	1	COVER ENGINE			
5	+	900106-05025	2	BOLT, H.S. 5*25	5*25		
6	+	436114-13930	1	VALVE, CHECK			
7	+	900724-00004	1	O-RING (S-4)	S-4		
8		V225-000031	1	BOLT,STUD 8	M8		
9		V202-000011	2	BOLT,4	4*12		
10		900162-05018	2	BOLT, H.S. 5*18	5*18 W,SW		
11		A239-000030	1	PIPE,INTAKE	L TYPE		
12		163911-30130	1	PLUG			
13		433026-35430	1	CATCHER, CHAIN			
14		900253-05020	1	SCREW 5*20	5*20		
15		C305-000023	1	PLATE,SPROCKET GUARD			
16		V450-000080	1	SPRING,COMPRESSION			
17		900253-04012	1	SCREW	4*12		
18		900602-00004	1	WASHER 4	4.3*9*0.8		
19		V352-000020	1	COLLAR,4			
20		91481-04035	1	SCREW TAPPING			
21		177214-04630	1	WASHER	4.1*15.5*1T		
22		V202-000020	1	BOLT,4			
23		C022-000180	1	AUTO-OILER ASSEMBLY	OP-25 METAL GEAR		
24		900238-04012	2	SCREW 4*12	4*12		

2. ENGINE COVER



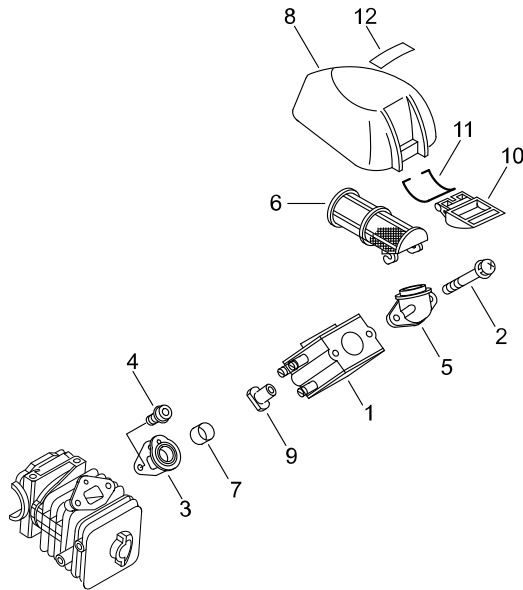
KEY	LV	PART NUMBER	Q'TY	DESCRIPTION	REMARKS	NOTE1	NOTE2
25		V308-000030	1	WASHER,CIRCULAR 11	10.5*17.4*1.8		
26		V652-000230	1	GEAR,WORM			
27		P021-005591	1	CAP ASY			
28	+	900720-00018	1	O-RING 18	P-18		
29	+	A365-000050	1	CONNECTOR,CAP			
30		P021-005581	1	OIL CAP ASY			
31	+	900720-00018	1	O-RING 18	P-18		
32	+	A365-000050	1	CONNECTOR,CAP			
33		436205-02832	1	STRAINER, OIL			
34		132010-22130	1	PIPE, FUEL	3*6*150L NBR		
35		V490-001230	1	CLIP			
36		132115-01461	1	GROMMET			
37		132012-11960	1	PIPE 3* 6* 45	3*6*45 NBR		
38		V187-000010	1	NIPPLE			
39		V471-001230	1	PIPE	3*5*210 NBR		
40		V470-000321	1	PIPE	10*6*L32		
41		V186-000510	1	JOINT,PIPE			
42		V490-001240	1	CLIP			
43		A369-000420	1	STRAINER, FUEL	ES-16499		
44		132115-44330	2	GROMMET			
45		131300-56431	1	VENT ASSEMBLY, FUEL			
46		V137-000000	1	GROMMET,FUEL			

3. MAGNETO



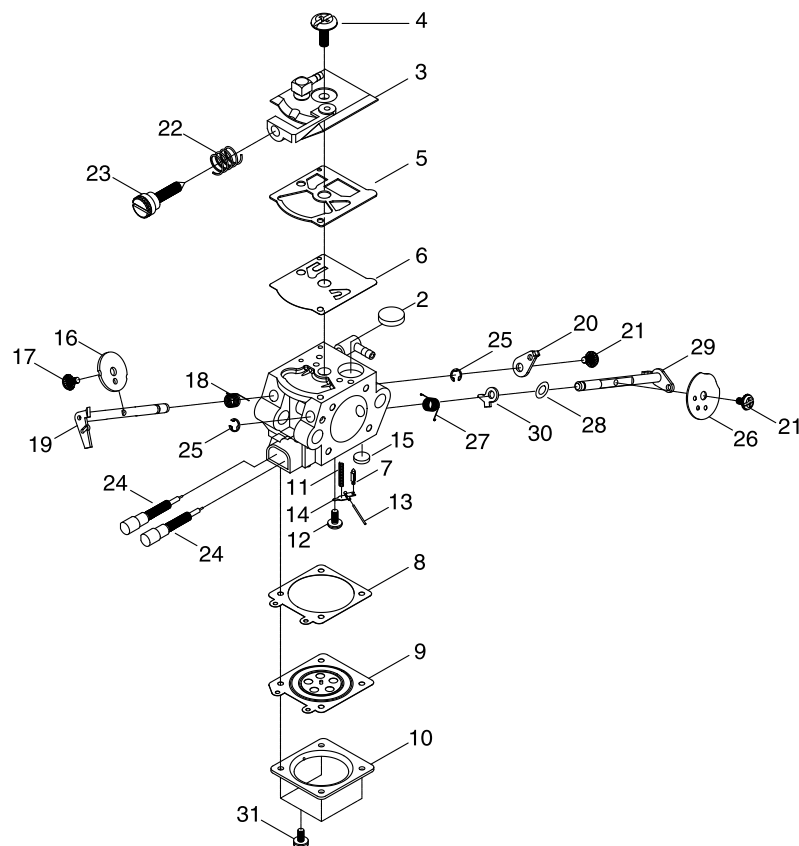
KEY	LV	PART NUMBER	Q'TY	DESCRIPTION	REMARKS	NOTE1	NOTE2
1		A409-001130	1	ROTOR, MAGNETO			
2		A411-001590	1	COIL, IGNITION			
3		100142-12330	1	KEY, WOODRUFF			
4		900515-00008	1	NUT, FLANGE 8	8		
5		900238-05018	2	SCREW 5*18	5*18		
6		150117-16430	2	SPACER			
7		156110-04920	1	BUSHING			
8		V475-001900	1	TUBE	7*8.6*30		
9		V485-000390	1	LEAD	JIS LA105,10.2		
10		156114-07320	1	GROMMET			
11		V485-000380	1	LEAD			
12		A425-000000	1	SPARKPLUG	BPMR8Y		
13		A427-000000	1	CAP, SPARK PLUG			
14		A426-000000	1	TERMINAL, SPARKPLUG			
15		A514-000020	2	PAWL			
16		V203-000080	2	BOLT, 5	5*14		
17		900603-00005	2	WASHER 5	5.5*12*0.8		
18		V452-000030	2	SPRING, TORSION			
19		177247-04630	2	SPACER, RATCHET	5.2*8*2.1		

4. AIR CLEANER, CARBURETOR



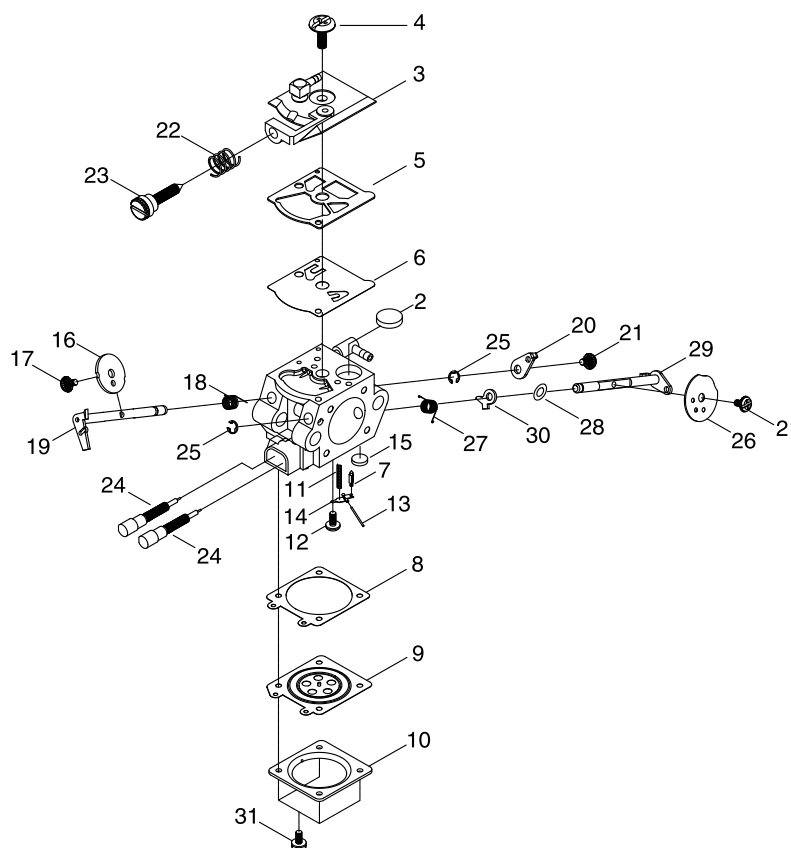
KEY	LV	PART NUMBER	Q'TY	DESCRIPTION	REMARKS	NOTE1	NOTE2
1		A021-004290	1	CARBURETOR, DIAPHRAGM			
2		900238-05050	2	SCREW 5*50	5*50		
3		A202-000001	1	BELLOWS,INTAKE			
4		900162-04012	2	BOLT, H.S. 4*12	4*12 W,SW		
5		A204-000060	1	ELBOW,CARBURETOR			
6		A226-000260	1	ELEMENT,AIR FILTER			
7		V358-000021	1	COLLAR,14			
8		A232-000191	1	LID,CLEANER			
9		130020-33330	2	NUT			
10		A235-000140	1	KNOB,CLEANER LID			
11		V582-000020	1	RING,SNAP	CSE2700		
12		X503-012970	1	LABEL,MODEL	CS-281WES EU ST2		

5. CARBURETOR



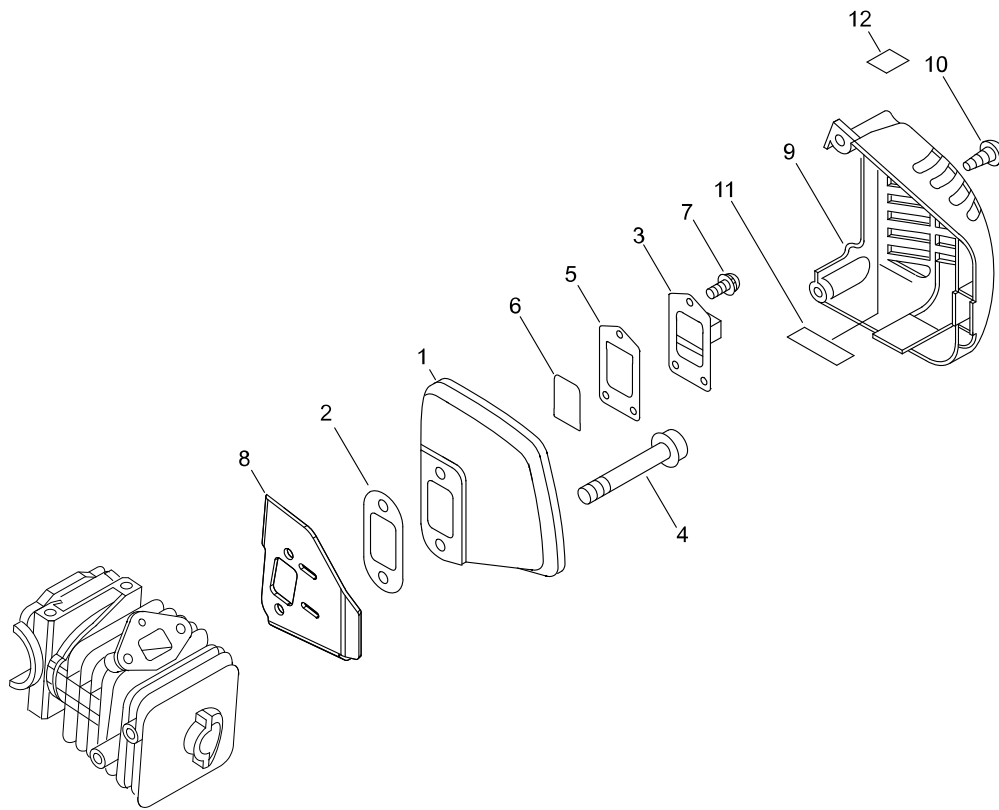
KEY	LV	PART NUMBER	Q'TY	DESCRIPTION	REMARKS	NOTE1	NOTE2
		A021-004290	1	CARBURETOR, DIAPHRAGM			
2	+	123126-10631	1	SCREEN, INLET			
3	+	123124-24430	1	COVER, FUEL PUMP			
4	+	P003-005120	1	SCREW			
5	+	123125-15030	1	GASKET, FUEL PUMP			
6	+	123112-15030	1	DIAPHRAGM, FUEL PUMP			
7	+	123137-19830	1	VALVE, INLET NEEDLE			
8	+	123140-03930	1	GASKET, M. DIAPHRAGM			
9	+	P003-001850	1	DIAPHRAGM, METERING			
10	+	123142-03930	1	COVER, M. DIAPHRAGM			
11	+	123122-03660	1	SPRING, METER. LEVER			
12	+	123139-03930	1	SCREW, M. LEVER PIN			
13	+	123138-03930	1	PIN, METERING LEVER			
14	+	123123-03930	1	LEVER, METERING			
15	+	123146-10631	1	PLUG, WELCH			
16	+	123116-05960	1	VALVE, THROTTLE			
17	+	P003-002380	1	SCREW			
18	+	123113-37530	1	SPRING, THROTTLE RTN			
19	+	P003-001300	1	SHAFT, THROTTLE			
20	+	P003-001040	1	LEVER THROTTLE			
21	+	123114-38830	2	SCREW			
22	+	123133-04260	1	SPRING, IDLE ADJUST			
23	+	123134-04260	1	SCREW, IDLE ADJUST			
24	+	P003-004190	2	NEEDLE			
25	+	123127-15030	2	RING			

5. CARBURETOR



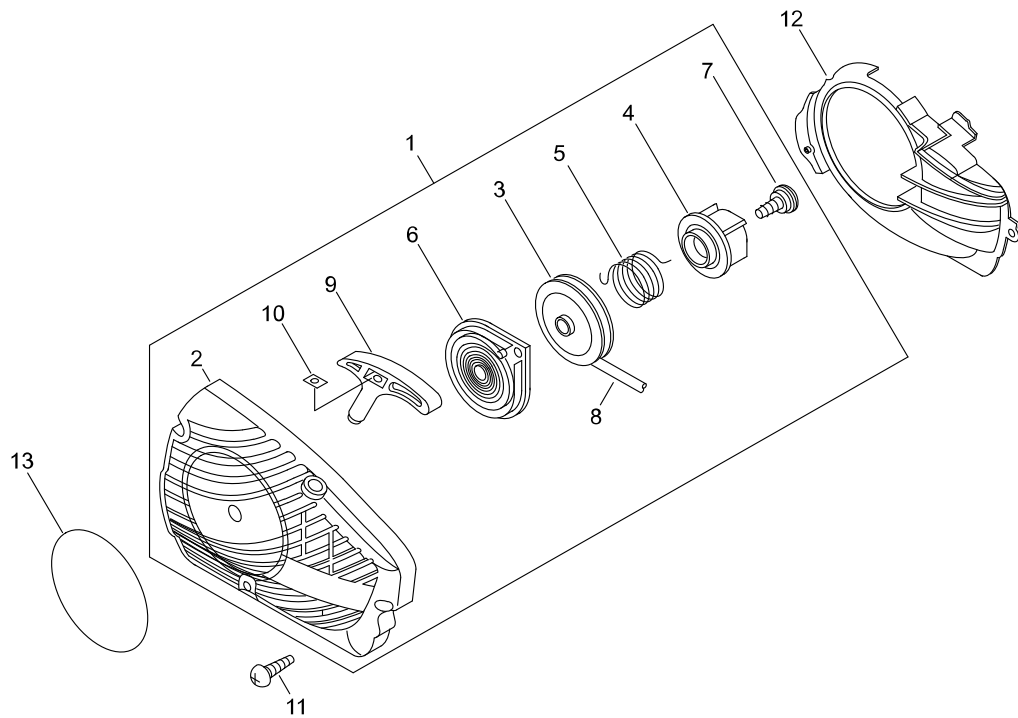
KEY	LV	PART NUMBER	Q'TY	DESCRIPTION	REMARKS	NOTE1	NOTE2
26	+	P003-000410	1	VALVE CHOKE			
27	+	P003-002260	1	SPRING			
28	+	123149-26030	1	WASHER			
29	+	P003-001140	1	SHAFT, CHOKE			
30	+	P003-001510	1	LEVER-FAST IDLE			
31	+	123130-02960	4	SCREW			

6. MUFFLER



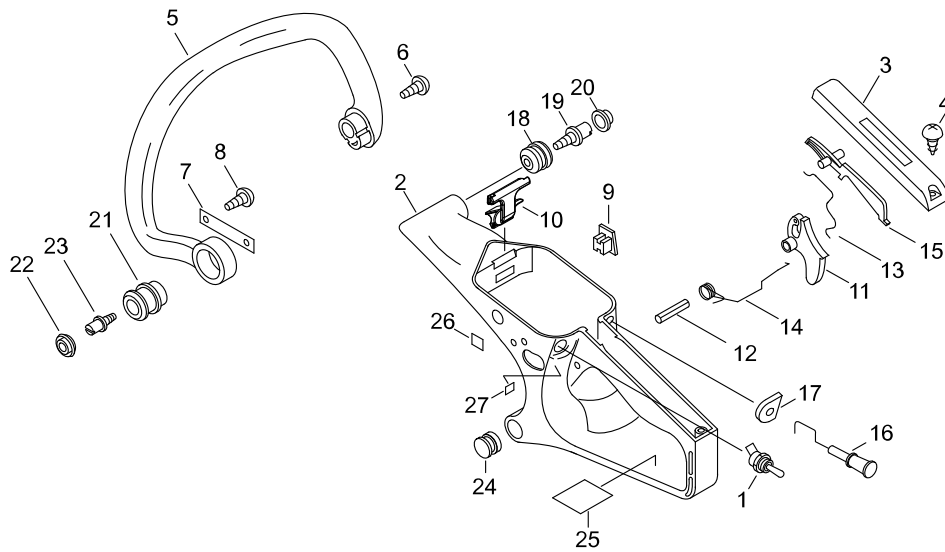
KEY	LV	PART NUMBER	Q'TY	DESCRIPTION	REMARKS	NOTE1	NOTE2
1		A300-001641	1	MUFFLER, EXHAUST			
2		V104-001860	1	GASKET, EXHAUST			
3		A313-001970	1	GUIDE, EXHAUST	T0.6		
4		91107-05045	2	BOLT HSH FLANGE	M5*45		
5		V104-001850	1	GASKET, EXHAUST			
6		A310-000420	1	SCREEN, ARRESTOR			
7		900242-04010	3	SCREW 4*10	4*10		
8		A312-000060	1	PLATE, EXHUST			
9		A320-001030	1	COVER, MUFFLER			
10		900253-04016	2	SCREW 4*16	4*16		
11		V341-000180	1	WASHER, SQUARE	54*14 T0.15		
12		X505-007710	1	LABEL, CAUTION			

7. RECOIL STARTER



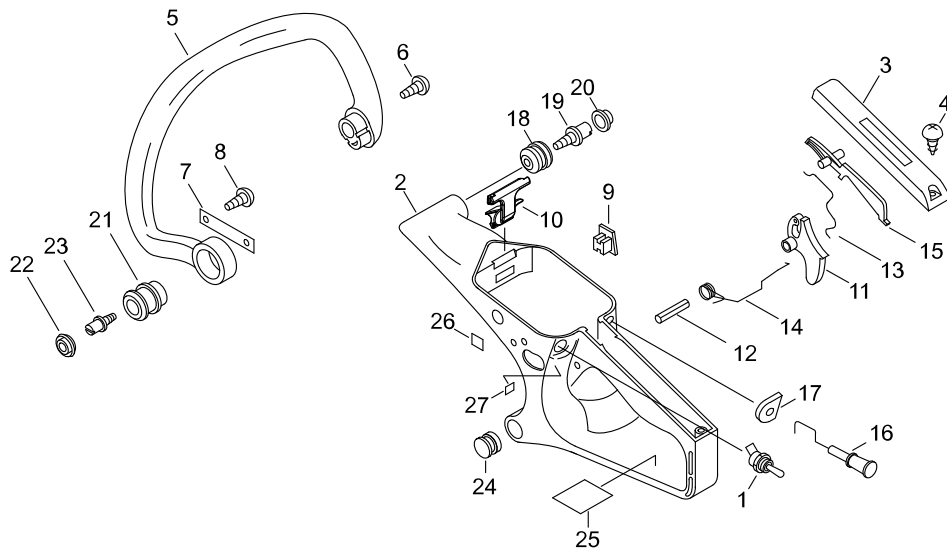
KEY	LV	PART NUMBER	Q'TY	DESCRIPTION	REMARKS	NOTE1	NOTE2
1		A051-002421	1	STARTER,RECOIL ASY			
2	+	P022-037530	1	STARTER,RECOIL			
3	+	A506-000460	1	REEL,ROPE			
4	+	A507-000110	1	CATCHER,PAWL			
5	+	V452-001320	1	SPRING,TORSION			
6	+	P022-001330	1	SPRING KIT, REWIND			
7	+	177236-61830	1	SCREW			
8	+	P022-006220	1	ROPE			
9	+	P022-001320	1	GRIP, STARTER			
10	+	P022-037670	1	STOPPER, ROPE			
11		900256-04016	3	SCREW 4*16			
12		A172-002040	1	COVER,FAN			
13		X502-000780	1	LABEL,ECHO			

8. HANDLE



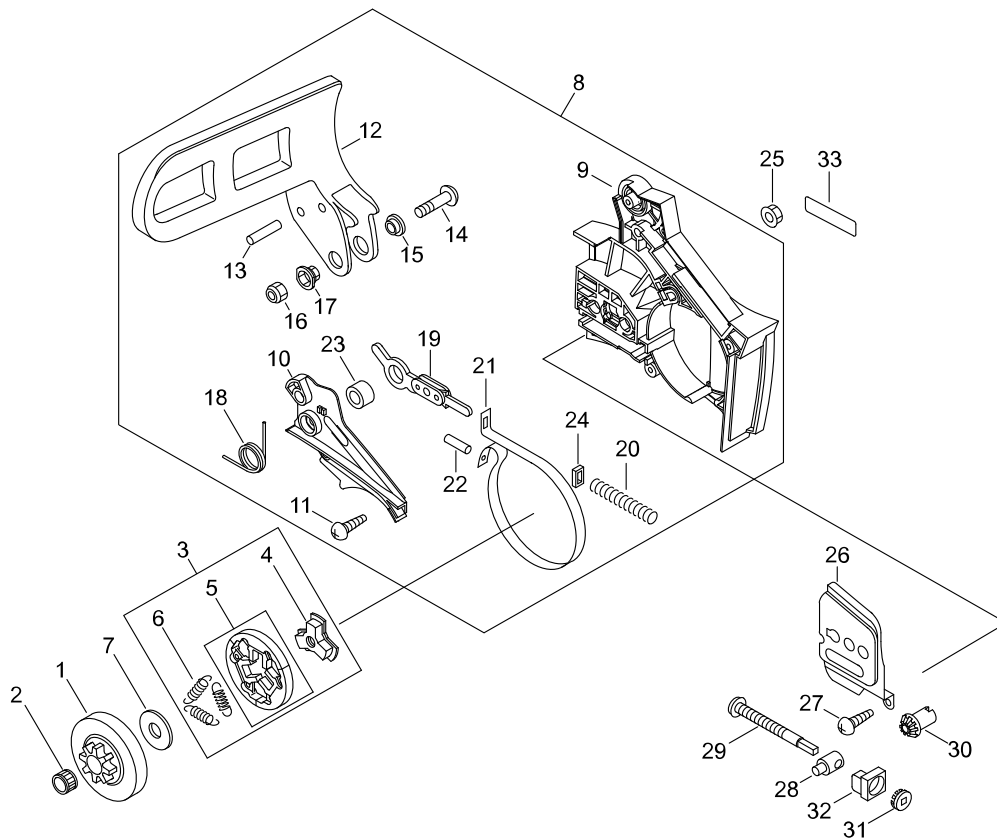
KEY	LV	PART NUMBER	Q'TY	DESCRIPTION	REMARKS	NOTE1	NOTE2
1		A440-000430	1	SWITCH,ON OFF			
2		C410-000158	1	HANDLE,REAR			
3		C411-000001	1	LID,HANDLE			
4		900253-04012	1	SCREW	4*12		
5		C400-000200	1	HANDLE,FRONT			
6		900253-05020	2	SCREW 5*20	5*20		
7		C617-000200	1	STOPPER			
8		900253-04008	1	SCREW 4*8	4*8		
9		V141-000050	1	GROMMET,PLUG			
10		V142-000030	1	GROMMET,DUST			
11		C450-000141	1	TRIGGER,THROTTLE			
12		900345-40025	1	PIN, SPRING 4*25SUS	4*25SUS		
13		C454-000080	1	ROD,THROTTLE			
14		V452-000260	1	SPRING,TORSION			
15		178090-37930	1	LOCKOUT, T. CONTROL			
16		A241-000060	1	KNOB,CHOKE			
17		V130-000000	1	GROMMET,CHOKE			
18		V401-000560	1	CUSHION,5			
19		V202-000670	1	BOLT,4			
20		100918-15130	1	CAP			
21		100910-60030	1	CUSHION			
22		100918-19830	1	CAP, CUSHION			
23		100915-33930	1	SCREW			
24		V420-000930	1	CUSHION			
25		890345-39231	1	LABEL,CAUTION			

8. HANDLE



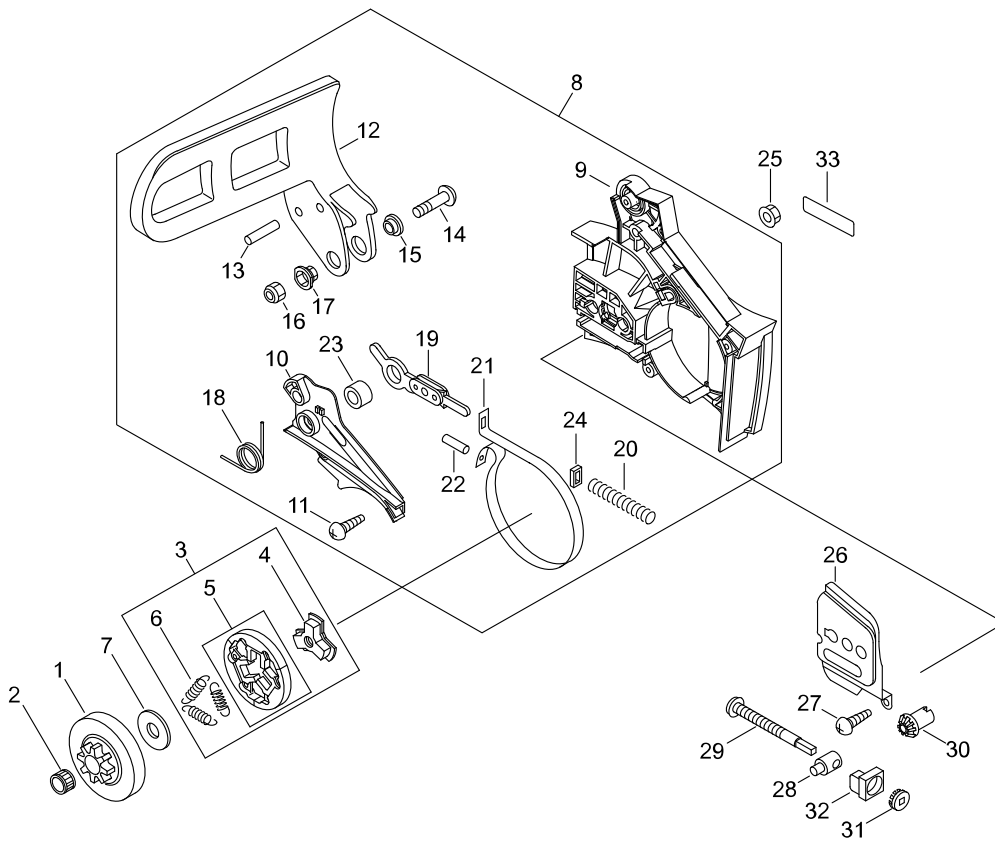
KEY	LV	PART NUMBER	Q'TY	DESCRIPTION	REMARKS	NOTE1	NOTE2
26		X505-006921	1	LABEL,CAUTION	13000R/MIN		
27		890157-39131	1	LABEL, SWITCH			

9. CHAIN BRAKE



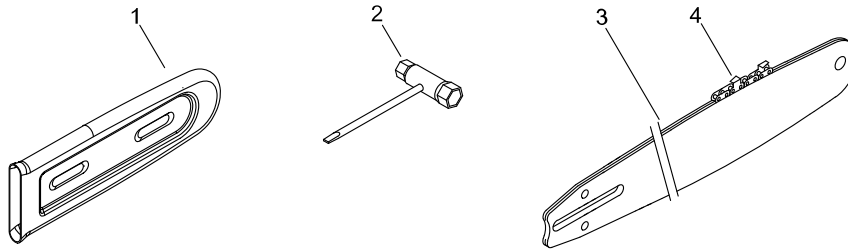
KEY	LV	PART NUMBER	Q'TY	DESCRIPTION	REMARKS	NOTE1	NOTE2
1		A556-000091	1	DRUM,CLUTCH	3/8A		
2		V555-000170	1	BEARING,NEEDLE 10	8E-KV10*13*12.8		
3		A056-000030	1	CLUTCH			
4	+	A552-000020	1	HUB,CLUTCH			
5	+	P021-001950	1	CLUTCH SHOE SET			
6	+	V451-000150	3	SPRING,TENSION			
7		A551-000010	1	PLATE,CLUTCH			
8		C032-000138	1	BRAKE,ASM CHAIN			
9	+	C300-000172	1	GUARD,SPROCKET			
10	+	C345-000114	1	COVER,BRAKE			
11	+	900253-04012	2	SCREW	4*12		
12	+	C320-000047	1	LEVER,BRAKE			
13	+	900330-30260	2	ROLLER 3*26	3*26		
14	+	91318-05032	1	SCREW	5*32		
15	+	433167-39130	1	SPACER			
16	+	900562-50005	1	LOCKNUT 5	5		
17	+	V353-000060	1	COLLAR,5			
18	+	V452-000110	1	SPRING,TORSION			
19	+	C334-000070	1	CONNECTOR,BRAKE			
20	+	V450-000070	1	SPRING,COMPRESSION			
21	+	C328-000020	1	BAND,BRAKE			
22	+	93050-30098	1	ROLLER	F3*9.8		
23	+	433116-35430	1	SPACER 8	8*12*9		
24	+	V376-000450	1	SPACER			

9. CHAIN BRAKE





KEY	LV	PART NUMBER	Q'TY	DESCRIPTION	REMARKS	NOTE1	NOTE2
25		V265-000200	1	NUT			
26		C305-000031	1	PLATE, SPROCKET GUARD			
27		900253-04012	1	SCREW	4*12		
28		C309-000030	1	TENSIONER, CHAIN			
29		V203-000021	1	BOLT, 5			
30		V651-000001	1	GEAR, BEVEL			
31		V651-000011	1	GEAR, BEVEL			
32		V355-000800	1	COLLAR, 8			
33		X502-000340	1	LABEL, ECHO	ECHO(WHITE)		

10. ACCESSORIES



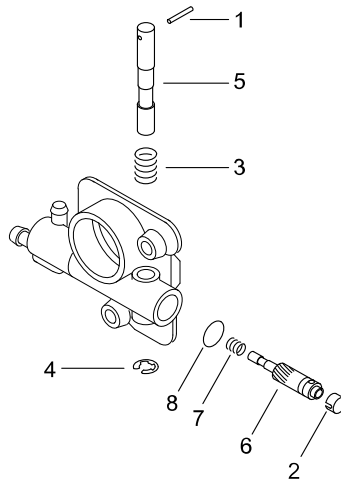
KEY	LV	PART NUMBER	Q'TY	DESCRIPTION	REMARKS	NOTE1	NOTE2
1		X490-000530	1	SCABBARD,CHAIN			
2		X602-000150	1	PLUG WRENCH			
3		X121-000002	1	BAR,GUIDE25RC50S-3/8	25RC50S-3/8		
4		X221-000100	1	CHAIN,SAW	91PX-40E		

11. GUIDE BAR, CHAIN

Pitch ピッチ	Gauge ゲージ	Length 長さ	Guide Bar ガイドバー		Saw Chain ソーチェーン		Hard Nose ハード ノーズ	Sprocket Nose スプロケット ノーズ
			Key No	Type 形式	Key No	Type 形式		
3/8 9.53	0.050 1.27	20	A1	20RC50S-3/8	A2	91PX-35E		
3/8 9.53	0.050 1.27	25	B1	25RC50S-3/8	B2	91PX-40E		●
3/8 9.53	0.050 1.27	30	C1	30RC50M-3/8	C2	91PX-47E		●
1/4 6.35	0.050 1.27	30	D1	30C50SL	D2	91VXL-53E	●	
					D3	91PX-53E		

KEY	LV	PART NUMBER	Q'TY	DESCRIPTION	REMARKS	NOTE1	NOTE2
A1		X120-000020	1	BAR, GUIDE 20RC50S-3/8	20RC50S-3/8		
A2		X220-000020	1	CHAIN, SAW	91PX-35E		
B1		X121-000002	1	BAR, GUIDE 25RC50S-3/8	25RC50S-3/8		
B2		X221-000100	1	CHAIN, SAW	91PX-40E		
C1		X122-000072	1	BAR, GUIDE 30	30RC50M-3/8 ECHO		
C2		X222-000140	1	CHAIN, SAW	91PX-47E		
D1		X102-000070	1	BAR, GUIDE 30	30C50SL ECHO		
D2		431611-10030	1	CHAIN, SAW 25AP-68E	25AP-68E		
D3		X202-000010	1	CHAIN, SAW	25A-68E		

12. AUTO-OILER



KEY	LV	PART NUMBER	Q'TY	DESCRIPTION	REMARKS	NOTE1	NOTE2
		C022-000180	1	AUTO-OILER ASSEMBLY	OP-25 METAL GEAR		
1	+	P003-002180	1	PIN, SPRING			
2	+	437062-38330	1	CAP, OIL PUMP			
3	+	437015-37330	1	SPRING			
4	+	123127-15030	1	RING			
5	+	P003-005430	1	NEEDLE-ADJ			
6	+	P003-005440	1	SHAFT ASY-PLUNGER			
7	+	P003-005140	1	SPRING			
8	+	P003-005420	1	WASHER			

Index

Patrs Number	Key No.	Patrs Number	Key No.	Patrs Number	Key No.
100013-22330	1 - 9	436205-02832	2 - 33	A300-001641	6 - 1
100014-11520	1 - 7	437015-37330	12 - 3	A310-000420	6 - 6
100015-04630	1 - 8	437062-38330	12 - 2	A312-000060	6 - 8
100142-12330	3 - 3	890157-39131	8 - 27	A313-001970	6 - 3
100910-60030	8 - 21	890345-39231	8 - 25	A320-001030	6 - 9
100915-33930	8 - 23	900106-05025	2 - 5	A365-000050	2 - 29
100918-15130	8 - 20	900162-04012	4 - 4	A365-000050	2 - 32
100918-19830	8 - 22	900162-05018	2 - 10	A369-000420	2 - 43
123112-15030	5 - 6	900162-05022	1 - 2	A409-001130	3 - 1
123113-37530	5 - 18	900238-04012	2 - 24	A411-001590	3 - 2
123114-38830	5 - 21	900238-05018	3 - 5	A425-000000	3 - 12
123116-05960	5 - 16	900238-05050	4 - 2	A426-000000	3 - 14
123122-03660	5 - 11	900242-04010	6 - 7	A427-000000	3 - 13
123123-03930	5 - 14	900253-04008	8 - 8	A440-000430	8 - 1
123124-24430	5 - 3	900253-04012	2 - 17	A506-000460	7 - 3
123125-15030	5 - 5	900253-04012	8 - 4	A507-000110	7 - 4
123126-10631	5 - 2	900253-04012	9 - 11	A514-000020	3 - 15
123127-15030	5 - 25	900253-04012	9 - 27	A551-000010	9 - 7
123127-15030	12 - 4	900253-04016	6 - 10	A552-000020	9 - 4
123130-02960	5 - 31	900253-05020	2 - 14	A556-000091	9 - 1
123133-04260	5 - 22	900253-05020	8 - 6	C022-000180	2 - 23
123134-04260	5 - 23	900256-04016	7 - 11	C022-000180	12 -
123137-19830	5 - 7	900330-30260	9 - 13	C032-000138	9 - 8
123138-03930	5 - 13	900345-40025	8 - 12	C300-000172	9 - 9
123139-03930	5 - 12	900515-00008	3 - 4	C305-000023	2 - 15
123140-03930	5 - 8	900562-50005	9 - 16	C305-000031	9 - 26
123142-03930	5 - 10	900602-00004	2 - 18	C309-000030	9 - 28
123146-10631	5 - 15	900603-00005	3 - 17	C320-000047	9 - 12
123149-26030	5 - 28	900720-00018	2 - 28	C328-000020	9 - 21
123181-39130	2 - 1	900720-00018	2 - 31	C334-000070	9 - 19
130020-33330	4 - 9	900724-00004	2 - 7	C345-000114	9 - 10
131300-56431	2 - 45	900800-36001	1 - 5	C400-000200	8 - 5
132010-22130	2 - 34	91107-05045	6 - 4	C410-000158	8 - 2
132012-11960	2 - 37	91318-05032	9 - 14	C411-000001	8 - 3
132115-01461	2 - 36	91481-04035	2 - 20	C450-000141	8 - 11
132115-44330	2 - 44	93050-30098	9 - 22	C454-000080	8 - 13
150117-16430	3 - 6	A021-004290	4 - 1	C617-000200	8 - 7
156110-04920	3 - 7	A021-004290	5 -	P003-000410	5 - 26
156114-07320	3 - 10	A051-002421	7 - 1	P003-001040	5 - 20
163911-30130	2 - 12	A056-000030	9 - 3	P003-001140	5 - 29
177214-04630	2 - 21	A101-000630	1 - 10	P003-001300	5 - 19
177236-61830	7 - 7	A172-002040	7 - 12	P003-001510	5 - 30
177247-04630	3 - 19	A202-000001	4 - 3	P003-001850	5 - 9
178090-37930	8 - 15	A204-000060	4 - 5	P003-002180	12 - 1
431611-10030	11 - D2	A226-000260	4 - 6	P003-002260	5 - 27
433026-35430	2 - 13	A232-000191	4 - 8	P003-002380	5 - 17
433116-35430	9 - 23	A235-000140	4 - 10	P003-004190	5 - 24
433167-39130	9 - 15	A239-000030	2 - 11	P003-005120	5 - 4
436114-13930	2 - 6	A241-000060	8 - 16	P003-005140	12 - 7

Index

Patrs Number	Key No.	Patrs Number	Key No.	Patrs Number	Key No.
P003-005420	12 - 8	V471-001280	2 - 3		
P003-005430	12 - 5	V475-001900	3 - 8		
P003-005440	12 - 6	V485-000380	3 - 11		
P021-001950	9 - 5	V485-000390	3 - 9		
P021-003438	2 - 4	V490-001230	2 - 35		
P021-005581	2 - 30	V490-001240	2 - 42		
P021-005591	2 - 27	V505-000001	1 - 4		
P021-038072	1 - 3	V555-000170	9 - 2		
P021-044050	1 - 1	V582-000020	4 - 11		
P021-044060	1 - 6	V651-000001	9 - 30		
P022-001320	7 - 9	V651-000011	9 - 31		
P022-001330	7 - 6	V652-000230	2 - 26		
P022-006220	7 - 8	X102-000070	11 - D1		
P022-037530	7 - 2	X120-000020	11 - A1		
P022-037670	7 - 10	X121-000002	10 - 3		
V104-001850	6 - 5	X121-000002	11 - B1		
V104-001860	6 - 2	X122-000072	11 - C1		
V130-000000	8 - 17	X202-000010	11 - D3		
V137-000000	2 - 46	X220-000020	11 - A2		
V141-000050	8 - 9	X221-000100	10 - 4		
V142-000030	8 - 10	X221-000100	11 - B2		
V186-000510	2 - 41	X222-000140	11 - C2		
V187-000010	2 - 38	X490-000530	10 - 1		
V202-000011	2 - 9	X502-000340	9 - 33		
V202-000020	2 - 22	X502-000780	7 - 13		
V202-000670	8 - 19	X503-012970	4 - 12		
V203-000021	9 - 29	X505-006921	8 - 26		
V203-000080	3 - 16	X505-007710	6 - 12		
V225-000031	2 - 8	X602-000150	10 - 2		
V265-000200	9 - 25				
V308-000030	2 - 25				
V341-000180	6 - 11				
V352-000020	2 - 19				
V353-000060	9 - 17				
V355-000800	9 - 32				
V358-000021	4 - 7				
V376-000450	9 - 24				
V401-000560	8 - 18				
V420-000930	8 - 24				
V450-000070	9 - 20				
V450-000080	2 - 16				
V451-000150	9 - 6				
V452-000030	3 - 18				
V452-000110	9 - 18				
V452-000260	8 - 14				
V452-001320	7 - 5				
V470-000321	2 - 40				
V471-001230	2 - 39				
V471-001270	2 - 2				

YAMABIKO CORPORATION

7-2 SUEHIROCHO 1-CHOME, OHME, TOKYO 198-8760, JAPAN
PHONE: 81-428-32-6118. FAX: 81-428-32-6145.



-14H
No. 07-006