



# **PARTS CATALOG**

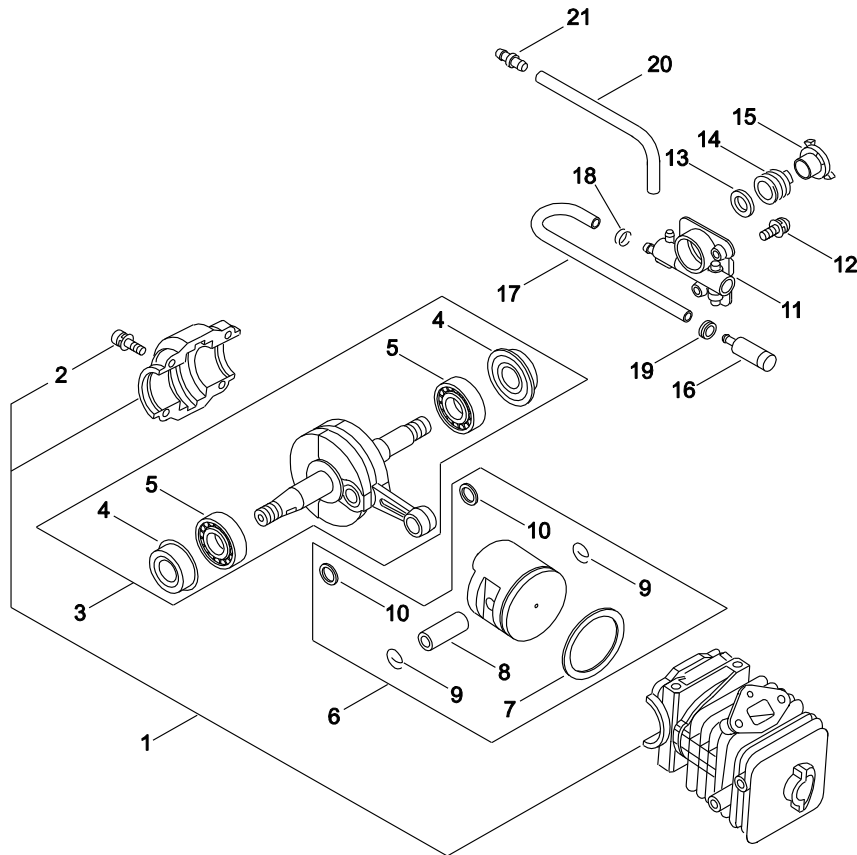
## **TOP HANDLE SAW CS-280T(37)**

**37001351 -**



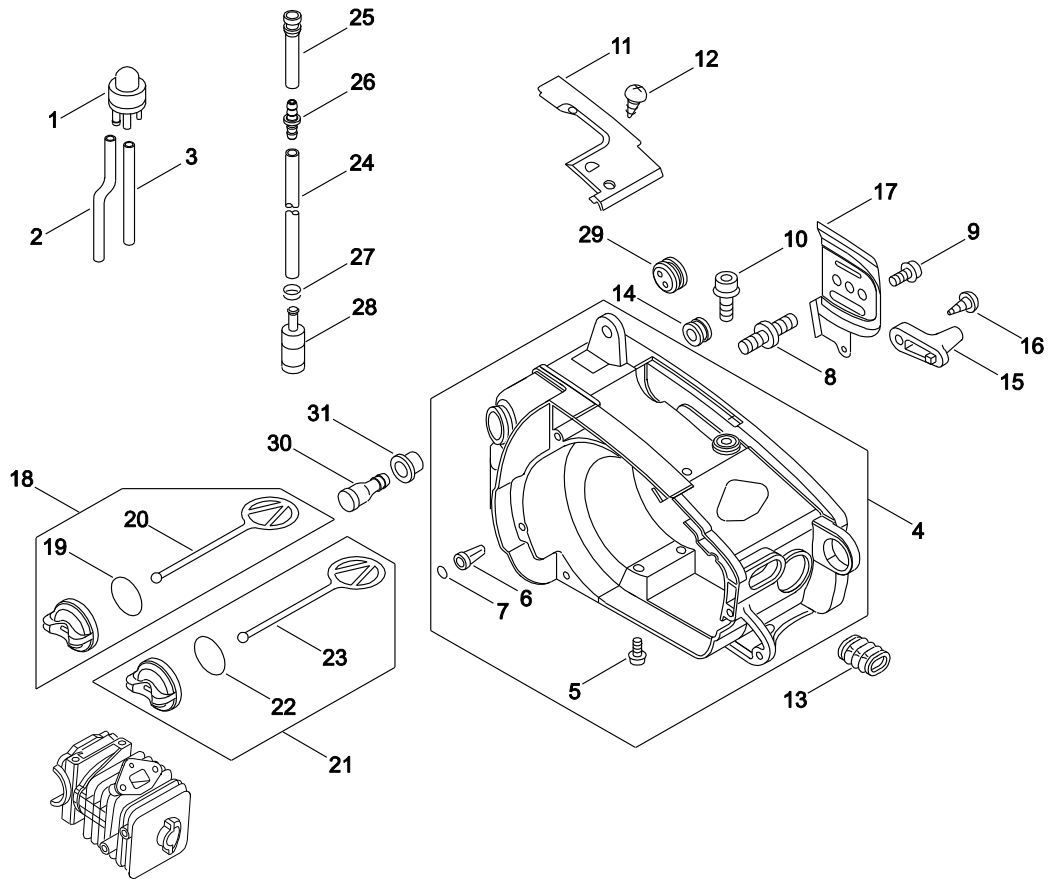
P014-003611-14B

# 1. CYLINDER, PISTON, CRANKSHAFT



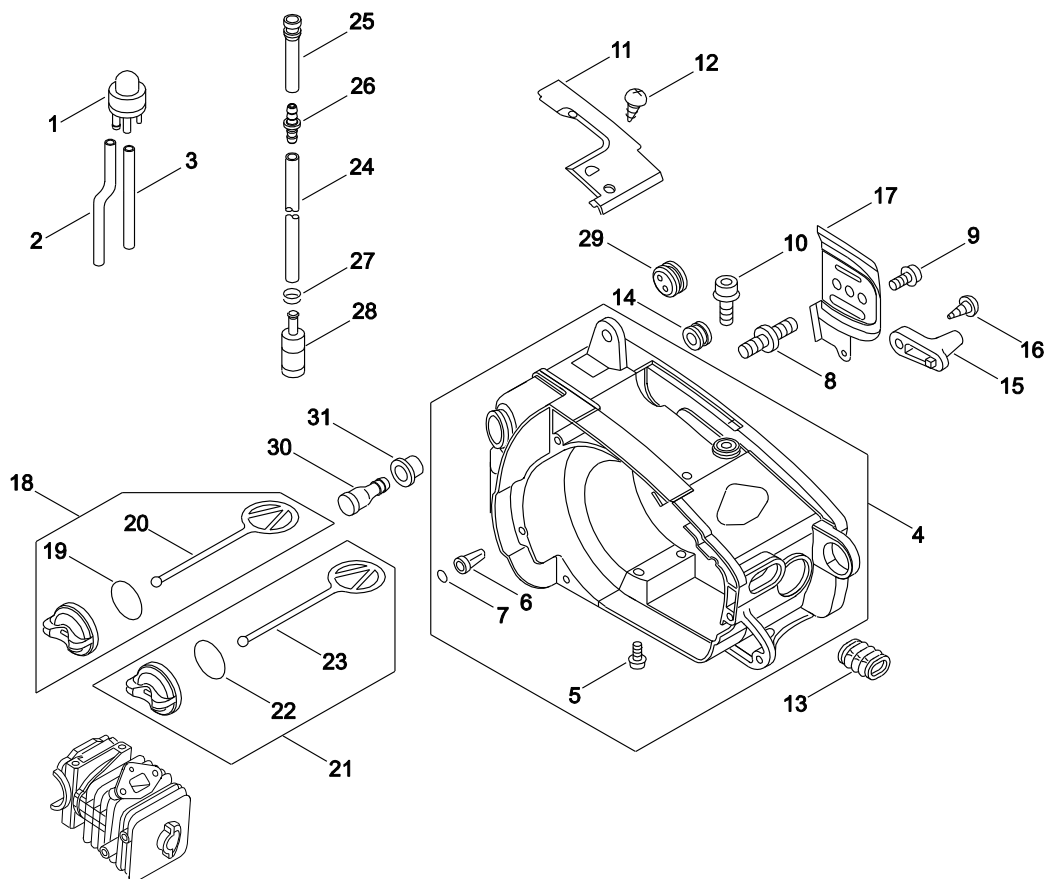
KEY	LV	PART NUMBER	Q'TY	DESCRIPTION	REMARKS	NOTE1	NOTE2
1		P021-044050	1	CYLINDER KIT	CS-271T		
2	+	900162-05022	4	BOLT, H.S. 5*22	5*22 W,SW		
3		P021-038071	1	CRANKSHAFT ASY			
4	+	V505-000000	2	SEAL,OIL	12*28*5.5		
5	+	900800-36001	2	BEARING, BALL 6001	6001/C3		
6		P021-044060	1	PISTON KIT	CS-271T		
7	+	A101-000630	1	RING, PISTON			
8	+	100013-22330	1	PIN, PISTON			
9	+	100015-04630	2	CIRCLIP, PISTON PIN			
10	+	100014-11520	2	SPACER, PISTON PIN			
11		C022-000020	1	AUTO-OILER ASSEMBLY			
12		900238-04012	2	SCREW 4*12	4*12		
13		V308-000030	1	WASHER,CIRCULAR 11	10.5*17.4*1.8		
14		V652-000030	1	GEAR,WORM			
15		V356-000290	1	COLLAR,10			
16		436205-02832	1	STRAINER, OIL			
17		132010-22130	1	PIPE, FUEL	3*6*150L NBR		
18		V490-001230	1	CLIP			
19		13211501461	1	GROMMET			
20		132012-11960	1	PIPE 3* 6* 45	3*6*45 NBR		
21		V187-000010	1	NIPPLE			

2. ENGINE COVER



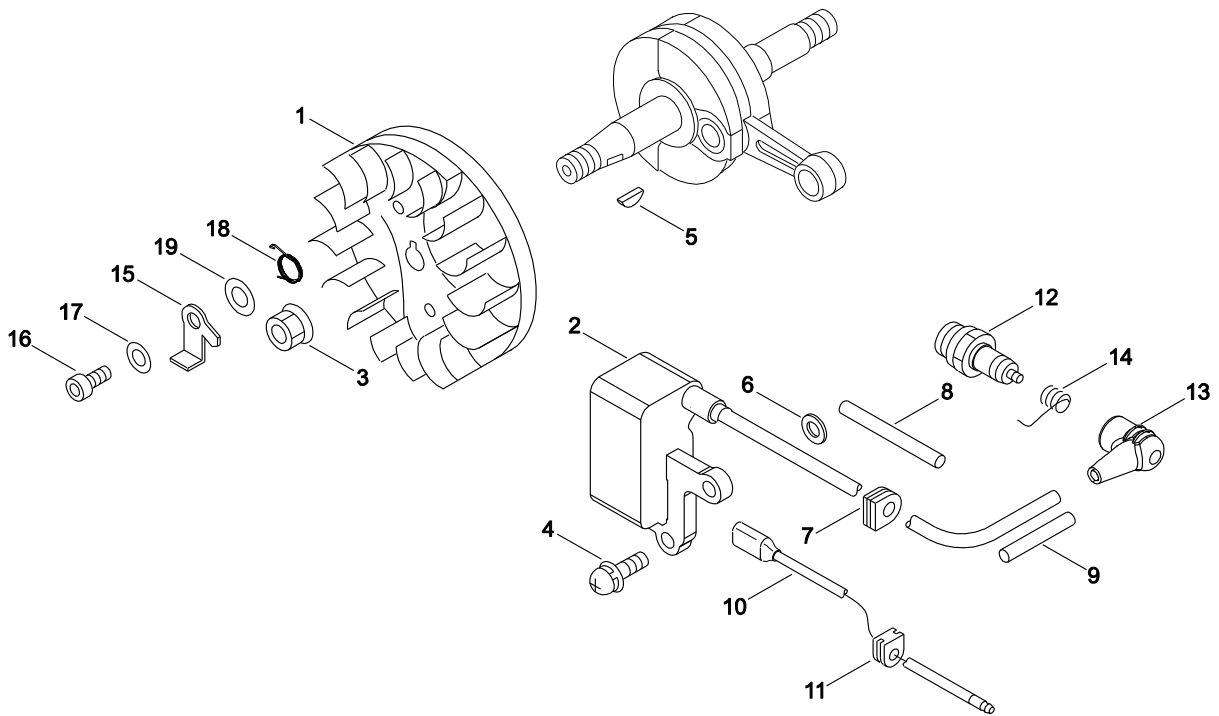
KEY	LV	PART NUMBER	Q'TY	DESCRIPTION	REMARKS	NOTE1	NOTE2
1		12318139130	1	PUMP, PRIMER			
2		V471-001251	1	PIPE	2.4*5*258		
3		V471-001261	1	PIPE	2.4*5*153		
4		P021-003438	1	COVER ENGINE			
5	+	900106-05025	2	BOLT, H.S. 5*25	5*25		
6	+	436114-13930	1	VALVE, CHECK			
7	+	900724-00004	1	O-RING (S-4)	S-4		
8		V225-000031	1	BOLT,STUD 8	M8		
9		V202-000011	2	BOLT,4	4*12		
10		900106-05016	2	BOLT, H.S. 5*16	5*16		
11		A127000021	1	COVER,DUST			
12		900253-04012	2	SCREW	4*12		
13		A239-000000	1	PIPE,INTAKE			
14		163911-30130	1	PLUG			
15		433026-35430	1	CATCHER, CHAIN			
16		900253-05020	1	SCREW 5*20	5*20		
17		C305-000023	1	PLATE,SPROCKET GUARD			
18		P021-005591	1	CAP ASY			
19	+	900720-00018	1	O-RING 18	P-18		
20	+	A365-000050	1	CONNECTOR,CAP			
21		P021-005581	1	OIL CAP ASY			
22	+	900720-00018	1	O-RING 18	P-18		
23	+	A365-000050	1	CONNECTOR,CAP			
24		V471-001230	1	PIPE	3*5*210 NBR		
25		V470-000321	1	PIPE	10*6*L32		

2. ENGINE COVER



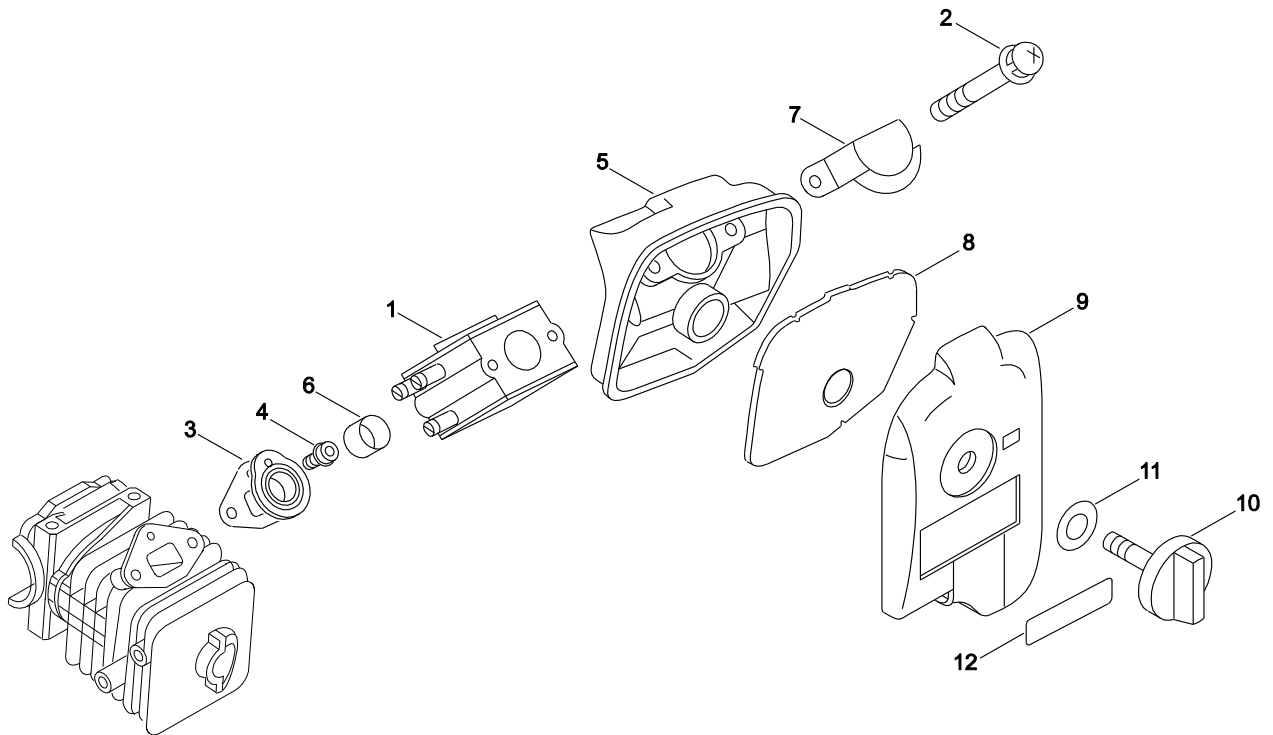
KEY	LV	PART NUMBER	Q'TY	DESCRIPTION	REMARKS	NOTE1	NOTE2
26		V186-000510	1	JOINT,PIPE			
27		V490-001240	1	CLIP			
28		131205-14931	1	STRAINER,FUEL			
29		13211544330	1	GROMMET			
30		131300-56431	1	VENT ASSEMBLY, FUEL			
31		V137-000000	1	GROMMET,FUEL			

## 3. MAGNETO



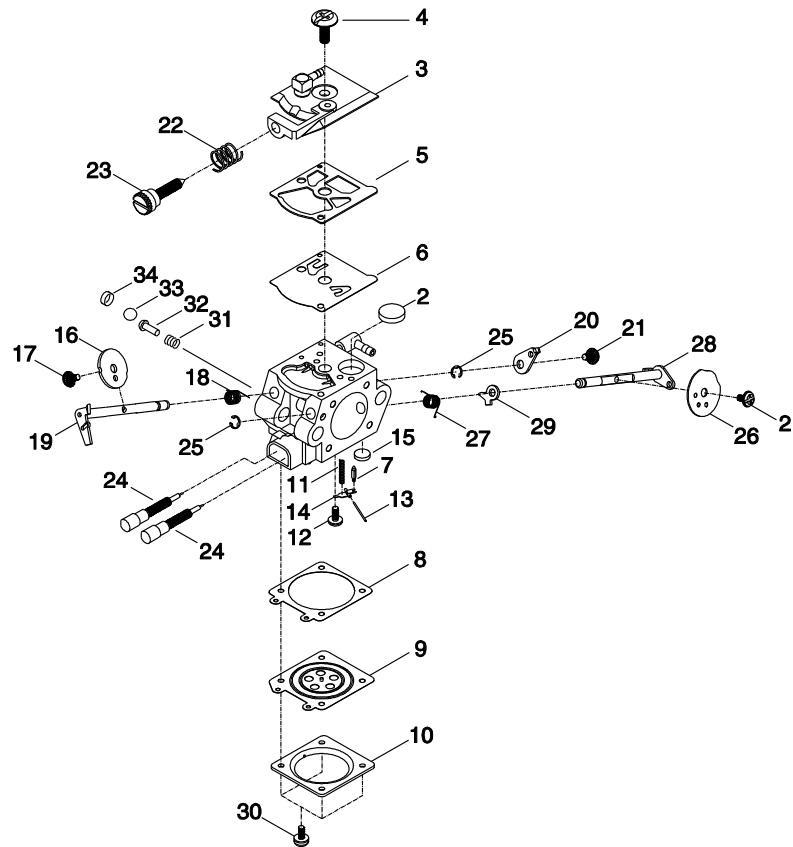
KEY	LV	PART NUMBER	Q'TY	DESCRIPTION	REMARKS	NOTE1	NOTE2
1		A409-001130	1	ROTOR, MAGNETO			
2		A411-001510	1	COIL, IGNITION			
3		900515-00008	1	NUT, FLANGE 8	8		
4		900238-05018	2	SCREW 5*18	5*18		
5		100142-12330	1	KEY, WOODRUFF			
6		15011716430	2	SPACER			
7		156110-04920	1	BUSHING			
8		V475-001900	1	TUBE	7*8.6*30		
9		V475-003550	1	TUBE	HST-10 7*8.6*50		
10		V485-000140	1	LEAD			
11		156114-07320	1	GROMMET			
12		A425-000000	1	SPARKPLUG	BPMR8Y		
13		A427-000013	1	CAP, SPARK PLUG			
14		A426-000010	1	TERMINAL, SPARKPLUG			
15		A514-000001	2	PAWL			
16		V203-000100	2	BOLT, 5	M5*16		
17		900603-00005	2	WASHER 5	5.5*12*0.8		
18		V452-000030	2	SPRING, TORSION			
19		177247-04630	2	SPACER, RATCHET	5.2*8*2.1		

4. AIR CLEANER, CARBURETOR



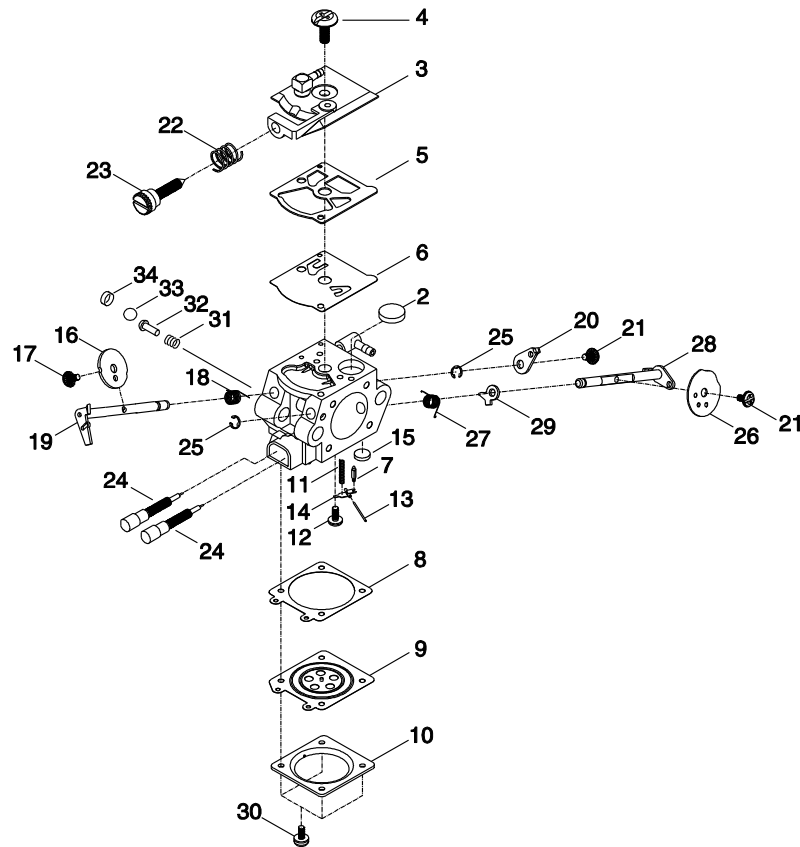
KEY	LV	PART NUMBER	Q'TY	DESCRIPTION	REMARKS	NOTE1	NOTE2
1		A021-004190	1	CARBURETOR,DIAPHRAGM	WT-1085		
2		900238-05050	2	SCREW 5*50	5*50		
3		A202-000001	1	BELLOWS,INTAKE			
4		900162-04012	2	BOLT, H.S. 4*12	4*12 W,SW		
5		A225-000025	1	CASE,CLEANER			
6		V358-000021	1	COLLAR,14			
7		A244-000000	1	PLATE,PREVENT			
8		A226-000051	1	ELEMENT,AIR FILTER			
9		A232-000061	1	LID,CLEANER			
10		A235-000040	1	KNOB,CLEANER LID			
11		131925-02310	1	WASHER,CIRCULAR 8			
12		X503-012590	1	LABEL,MODEL	CS-280T		

## 5. CARBURETOR



KEY	LV	PART NUMBER	Q'TY	DESCRIPTION	REMARKS	NOTE1	NOTE2
		A021-004190	1	CARBURETOR,DIAPHRAGM	WT-1085		
2	+	P003-005040	1	SCREEN,INLET			
3	+	12312424430	1	COVER, FUEL PUMP			
4	+	12311003930	1	SCREW, PUMP COVER			
5	+	123125-15030	1	GASKET, FUEL PUMP			
6	+	123112-15030	1	DIAPHRAGM, FUEL PUMP			
7	+	12313719830	1	VALVE, INLET NEEDLE			
8	+	123140-03930	1	GASKET, M. DIAPHRAGM			
9	+	P003-001850	1	DIAPHRAGM, METERING			
10	+	12314203930	1	COVER, M. DIAPHRAGM			
11	+	12312203660	1	SPRING, METER. LEVER			
12	+	12313903930	1	SCREW, M. LEVER PIN			
13	+	12313803930	1	PIN, METERING LEVER			
14	+	12312303930	1	LEVER, METERING			
15	+	12314610631	1	PLUG, WELCH			
16	+	12311605960	1	VALVE, THROTTLE			
17	+	P003-002380	1	SCREW			
18	+	12311337530	1	SPRING, THROTTLE RTN			
19	+	P003-005350	1	SHAFT ASSY, THROTTLE			
20	+	P003-000380	1	THROTTLE, LEVER			
21	+	12311438830	2	SCREW			
22	+	12313304260	1	SPRING, IDLE ADJUST			
23	+	12313404260	1	SCREW, IDLE ADJUST			
24	+	P003-004190	2	NEEDLE			
25	+	12312715030	2	RING			

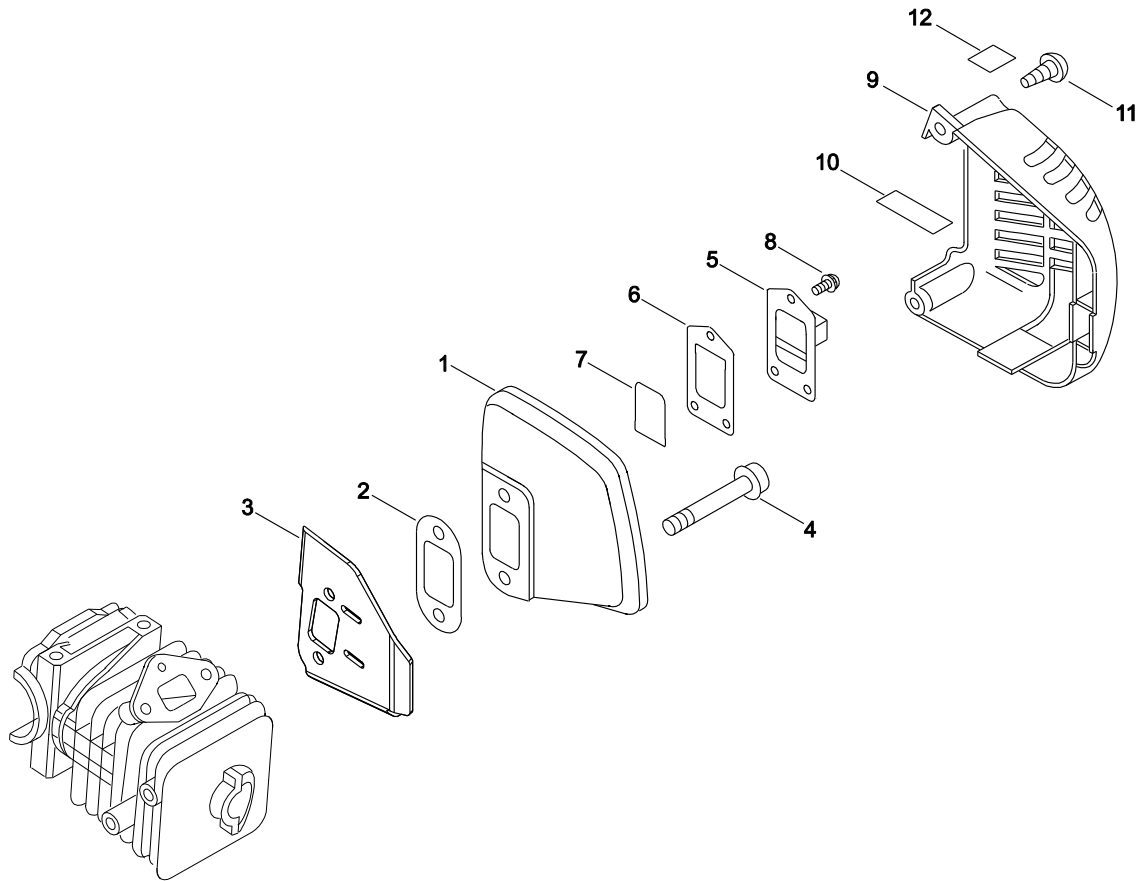
## 5. CARBURETOR



KEY	LV	PART NUMBER	Q'TY	DESCRIPTION	REMARKS	NOTE1	NOTE2
26	+	P003-000410	1	VALVE CHOKE			
27	+	P003-004780	1	SPRING			
28	+	P003-004790	1	SHAFT-CHOKE(MOLD)			
29	+	P003-001510	1	LEVER-FAST IDLE			
30	+	12313002960	4	SCREW			
31	+	12318609660	1	SPRING, START VALVE			
32	+	12318509660	1	PISTON ASSY			
33	+	12313609660	1	BALL			
34	+	P003-005090	1	PLUG CUP			

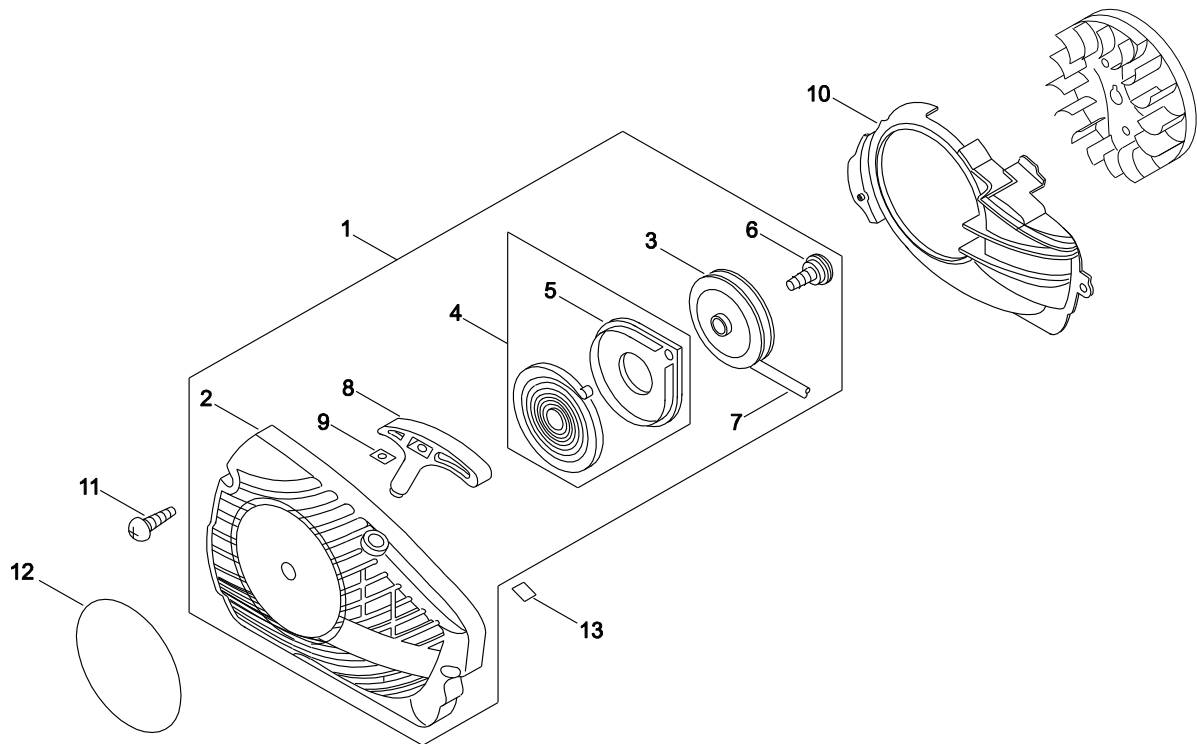


6. MUFFLER



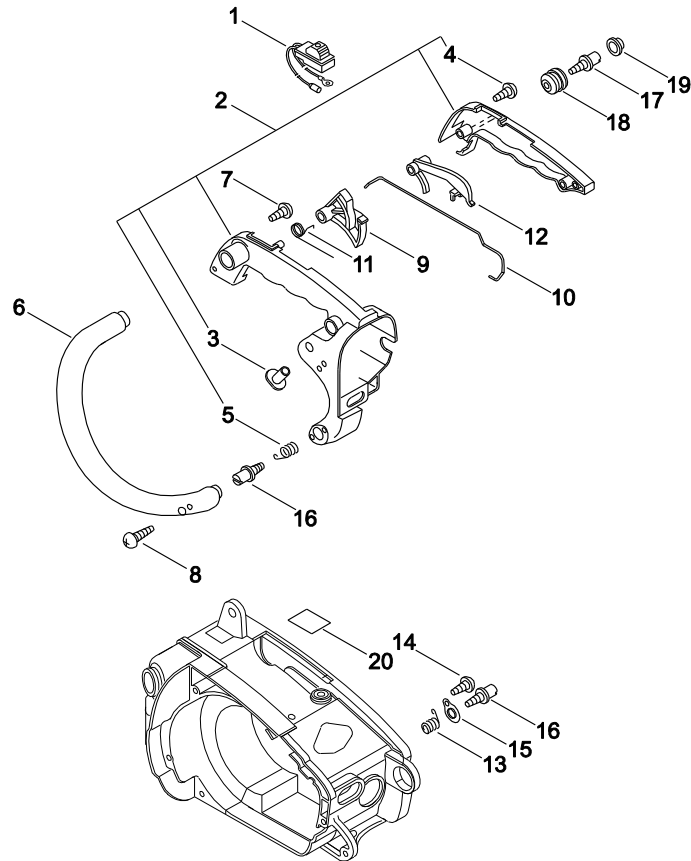
KEY	LV	PART NUMBER	Q'TY	DESCRIPTION	REMARKS	NOTE1	NOTE2
1		A300-001641	1	MUFFLER, EXHAUST			
2		V104-001860	1	GASKET, EXHAUST			
3		A312-000060	1	PLATE, EXHUST			
4		91107-05045	2	BOLT HSH FLANGE	M5*45		
5		A313-001970	1	GUIDE, EXHAUST	T0.6		
6		V104-001850	1	GASKET, EXHAUST			
7		A310-000420	1	SCREEN, ARRESTOR			
8		900242-04008	3	SCREW	4*8		
9		A320-001030	1	COVER, MUFFLER			
10		V341-000180	1	WASHER, SQUARE	54*14 T0.15		
11		900253-04016	2	SCREW 4*16	4*16		
12		X505-007710	1	LABEL, CAUTION			

7. RECOIL STARTER



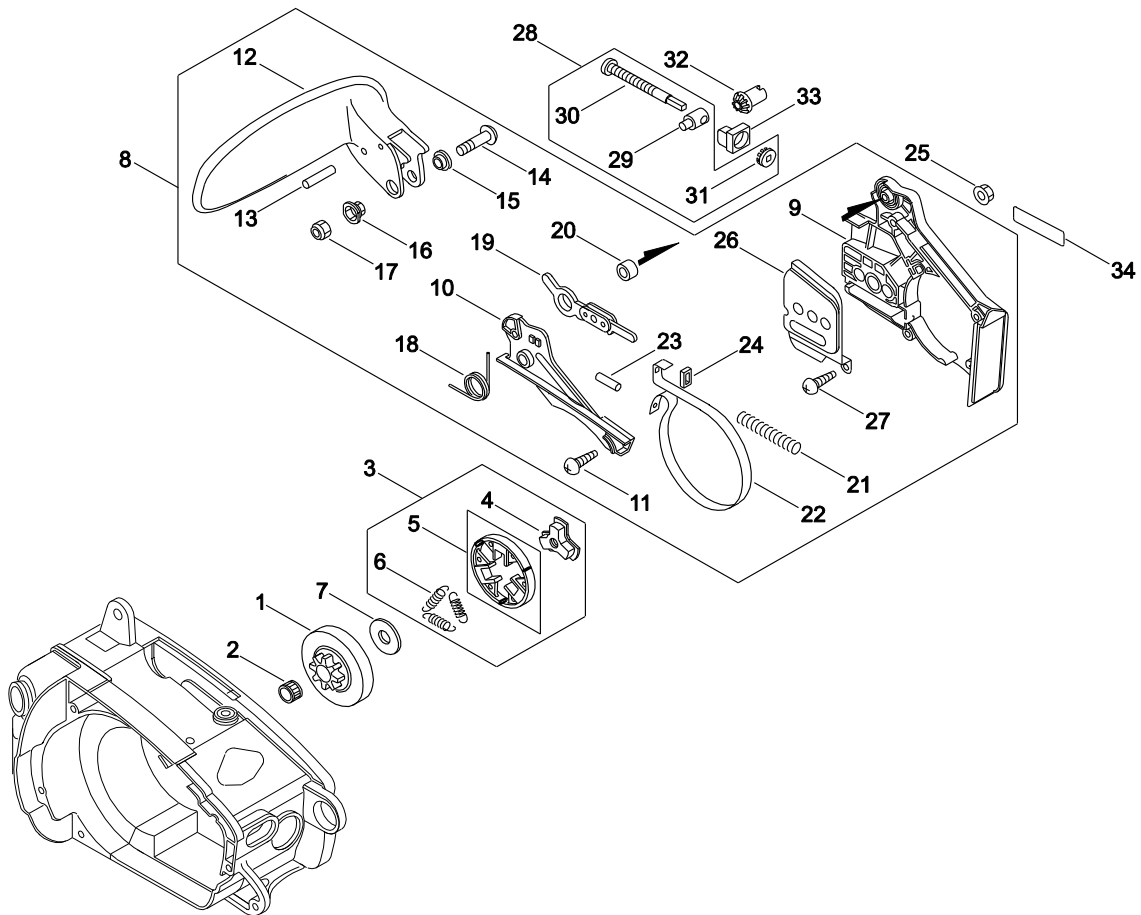
KEY	LV	PART NUMBER	Q'TY	DESCRIPTION	REMARKS	NOTE1	NOTE2
1		A051-000033	1	STARTER,RECOIL			
2	+	P022-039810	1	CASE, STARTER			
3	+	P022-005870	1	DRUM, STARTER			
4	+	P022-001330	1	SPRING KIT, REWIND			
5	++	P022-033280	1	SPRING CASE			
6	+	177236-44330	1	SCREW			
7	+	P022-005860	1	ROPE, STARTER			
8	+	P022-001320	1	GRIP, STARTER			
9	+	P022-037670	1	STOPPER, ROPE			
10		A172-002040	1	COVER,FAN			
11		900256-04016	3	SCREW 4*16			
12		X502-000780	1	LABEL,ECHO			
13		X505-006921	1	LABEL,CAUTION	13000R/MIN		

## 8. HANDLE



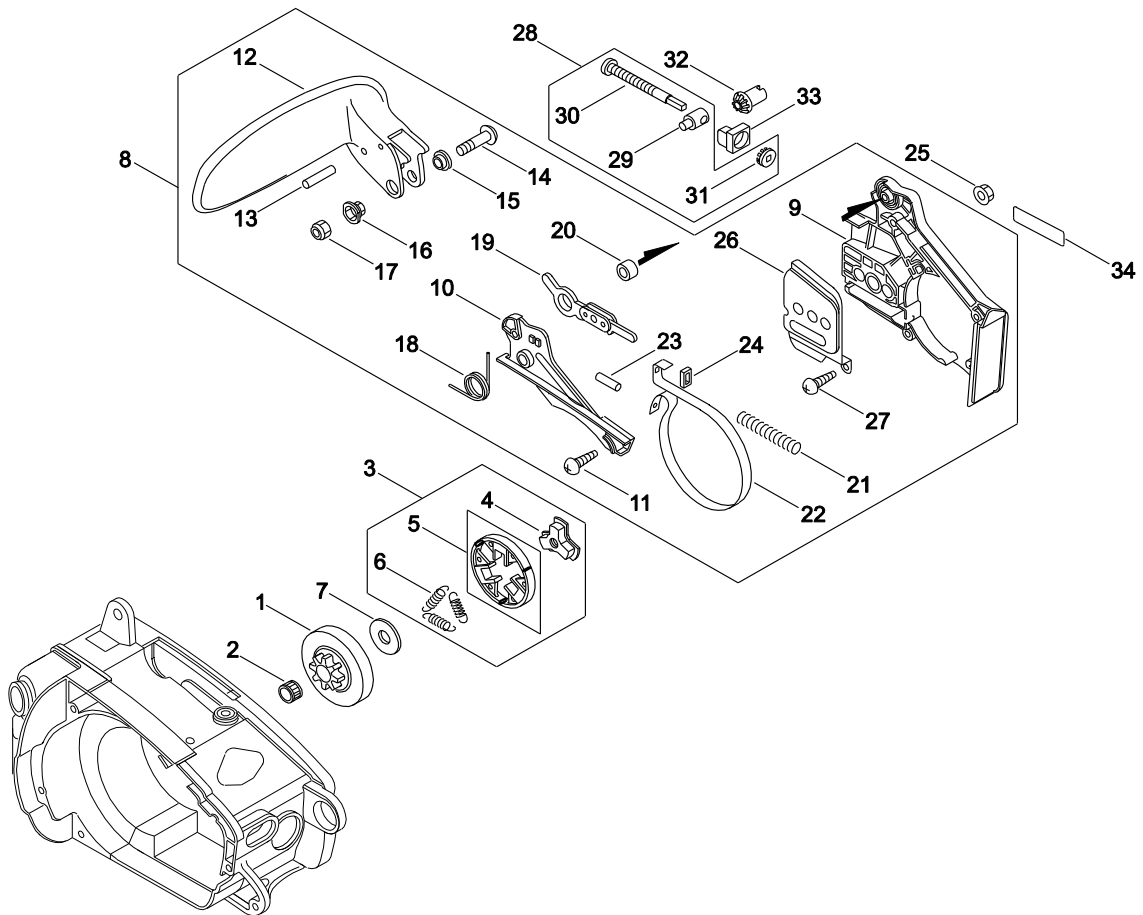
KEY	LV	PART NUMBER	Q'TY	DESCRIPTION	REMARKS	NOTE1	NOTE2
1		A440-000211	1	SWITCH,ON OFF			
2		P021-001965	1	HANDLE SET, REAR			
3	+	130020-33330	2	NUT			
4	+	900256-04016	4	SCREW 4*16			
5	+	V450-000340	1	SPRING,COMPRESSION	ES		
6		C400-000050	1	HANDLE,FRONT			
7		900253-05020	1	SCREW 5*20	5*20		
8		900256-04016	2	SCREW 4*16			
9		C450-000010	1	TRIGGER,THROTTLE			
10		C454-000051	1	ROD,THROTTLE			
11		V452-000010	1	SPRING,TORSION			
12		C460-000002	1	LOCKOUT,THROTTLE			
13		V450-000080	1	SPRING,COMPRESSION			
14		900253-04012	1	SCREW	4*12		
15		V150-003810	1	PLATE,EYE			
16		V202-000000	2	BOLT,4			
17		V202-000020	1	BOLT,4			
18		100921-39131	1	CUSHION			
19		100918-15130	1	CAP			
20		X505-002441	1	LABEL,CAUTION			

## 9. CHAIN BRAKE



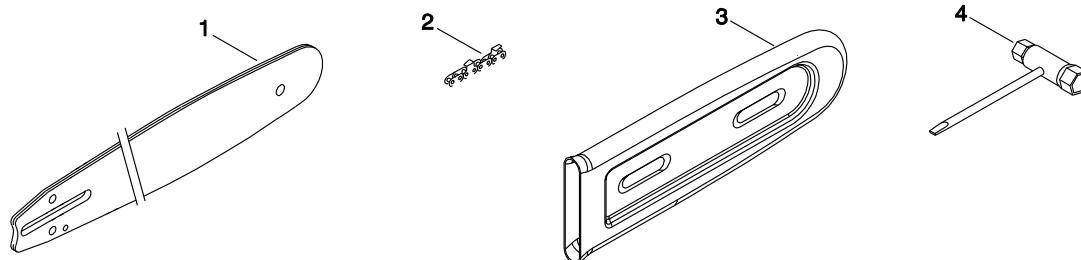
KEY	LV	PART NUMBER	Q'TY	DESCRIPTION	REMARKS	NOTE1	NOTE2
1		A556-000091	1	DRUM,CLUTCH	3/8A		
2		V555-000170	1	BEARING,NEEDLE 10	8E-KV10*13*12.8		
3		A056-000030	1	CLUTCH			
4	+	A552-000020	1	HUB,CLUTCH			
5	+	P021-001950	1	CLUTCH SHOE SET			
6	+	V451-000150	3	SPRING,TENSION			
7		A551-000010	1	PLATE,CLUTCH			
8		P021-038181	1	BRAKE,ASM CHAIN			
9	+	C300-000172	1	GUARD,SPROCKET			
10	+	C345-000114	1	COVER,BRAKE			
11	+	900253-04012	2	SCREW	4*12		
12	+	C320-000034	1	LEVER,BRAKE			
13	+	900330-30260	2	ROLLER 3*26	3*26		
14	+	9131805032	1	SCREW	5*32		
15	+	43316739130	1	SPACER			
16	+	V353-000060	1	COLLAR,5			
17	+	900562-50005	1	LOCKNUT 5	5		
18	+	V452-000110	1	SPRING,TORSION			
19	+	C334-000060	1	CONNECTOR,BRAKE			
20	+	433116-35430	1	SPACER 8	8*12*9		
21	+	V450-000070	1	SPRING,COMPRESSION			
22	+	C328-000020	1	BAND,BRAKE			
23	+	93050-30098	1	ROLLER	F3*9.8		
24	+	V376-000450	1	SPACER			

9. CHAIN BRAKE





KEY	LV	PART NUMBER	Q'TY	DESCRIPTION	REMARKS	NOTE1	NOTE2
25		V265-000200	1	NUT			
26		C305-000031	1	PLATE,SPROCKET GUARD			
27		900253-04012	1	SCREW	4*12		
28		P021-000063	1	TENSIONER,CHAIN ASY			
29	+	C309-000030	1	TENSIONER,CHAIN			
30	+	V203-000021	1	BOLT,5			
31	+	V651-000011	1	GEAR,BEVEL			
32		V651-000001	1	GEAR,BEVEL			
33		V355-000800	1	COLLAR,8			
34		X502-000340	1	LABEL,ECHO	ECHO(WHITE)		

10. ACCESSORIES



KEY	LV	PART NUMBER	Q'TY	DESCRIPTION	REMARKS	NOTE1	NOTE2
1		X121-000003	1	BAR, GUIDE 25	C25S91-40SL- ET		
2		X221-000100	1	CHAIN, SAW	91PX-40E		
3		X490-000530	1	SCABBARD, CHAIN			
4		X602-000080	1	TOOL, WRENCH	13*19 L180		

## 11. GUIDE BAR, CHAIN

Pitch ピッチ  (inch) (mm)	Gauge ゲージ  (inch) (mm)	Length 長さ  (cm)	Guide Bar ガイドバー		Saw Chain ソーチェーン		Hard Nose  ハード ノーズ 	Sprocket Nose  スプロケット ノーズ 
			Key №	Type 形式	Key №	Type 形式		
3/8 9.53	0.050 1.27	20	A1	C20S91-35SA-ET	A2	91PX-35E		●
3/8 9.53	0.050 1.27	25	B1	C25S91-40SL-ET	B2	91PX-40E		●
3/8 9.53	0.050 1.27	30	C1	C30S91-47ML-ET	C2	91PX-47E		●
1/4 6.35	0.050 1.27	25	D1	C25H25-60CL-ET	D2	25AP-60E	●	
1/4 6.35	0.050 1.27	25	E1	C25L25-60CA-ED	D2	25AP-60E	●	

KEY	LV	PART NUMBER	Q'TY	DESCRIPTION	REMARKS	NOTE1	NOTE2
A1		X120-000021	1	BAR,GUIDE 20	C20S91-35SA- ET		
A2		X220-000020	1	CHAIN,SAW	91PX-35E		
B1		X121-000003	1	BAR,GUIDE 25	C25S91-40SL- ET		
B2		X221-000100	1	CHAIN,SAW	91PX-40E		
C1		X122-000073	1	BAR,GUIDE 30	C30S91-47ML- ET		
C2		X222-000140	1	CHAIN,SAW	91PX-47E		
D1		X101-000011	1	BAR,GUIDE 25	C25H25-60CL- ET		
E1		X101-000171	1	BAR,GUIDE 25	C25H25-60CA- ED		
D2		431610-10030	1	CHAIN, SAW	25AP-60E		

**Index**

<b>Patrs Number</b>	<b>Key No.</b>	<b>Patrs Number</b>	<b>Key No.</b>	<b>Patrs Number</b>	<b>Key No.</b>
100013-22330	1 - 8	900106-05016	2 - 10	A365-000050	2 - 23
100014-11520	1 - 10	900106-05025	2 - 5	A409-001130	3 - 1
100015-04630	1 - 9	900162-04012	4 - 4	A411-001510	3 - 2
100142-12330	3 - 5	900162-05022	1 - 2	A425-000000	3 - 12
100918-15130	8 - 19	900238-04012	1 - 12	A426-000010	3 - 14
100921-39131	8 - 18	900238-05018	3 - 4	A427-000013	3 - 13
12311003930	5 - 4	900238-05050	4 - 2	A440-000211	8 - 1
123112-15030	5 - 6	900242-04008	6 - 8	A514-000001	3 - 15
12311337530	5 - 18	900253-04012	2 - 12	A551-000010	9 - 7
12311438830	5 - 21	900253-04012	8 - 14	A552-000020	9 - 4
12311605960	5 - 16	900253-04012	9 - 11	A556-000091	9 - 1
12312203660	5 - 11	900253-04012	9 - 27	C022-000020	1 - 11
12312303930	5 - 14	900253-04016	6 - 11	C300-000172	9 - 9
12312424430	5 - 3	900253-05020	2 - 16	C305-000023	2 - 17
123125-15030	5 - 5	900253-05020	8 - 7	C305-000031	9 - 26
12312715030	5 - 25	900256-04016	7 - 11	C309-000030	9 - 29
12313002960	5 - 30	900256-04016	8 - 4	C320-000034	9 - 12
12313304260	5 - 22	900256-04016	8 - 8	C328-000020	9 - 22
12313404260	5 - 23	900330-30260	9 - 13	C334-000060	9 - 19
12313609660	5 - 33	900515-00008	3 - 3	C345-000114	9 - 10
12313719830	5 - 7	900562-50005	9 - 17	C400-000050	8 - 6
12313803930	5 - 13	900603-00005	3 - 17	C450-000010	8 - 9
12313903930	5 - 12	900720-00018	2 - 19	C454-000051	8 - 10
123140-03930	5 - 8	900720-00018	2 - 22	C460-000002	8 - 12
12314203930	5 - 10	900724-00004	2 - 7	P003-000380	5 - 20
12314610631	5 - 15	900800-36001	1 - 5	P003-000410	5 - 26
12318139130	2 - 1	91107-05045	6 - 4	P003-001510	5 - 29
12318509660	5 - 32	9131805032	9 - 14	P003-001850	5 - 9
12318609660	5 - 31	93050-30098	9 - 23	P003-002380	5 - 17
130020-33330	8 - 3	A021-004190	4 - 1	P003-004190	5 - 24
131205-14931	2 - 28	A021-004190	5 -	P003-004780	5 - 27
131300-56431	2 - 30	A051-000033	7 - 1	P003-004790	5 - 28
131925-02310	4 - 11	A056-000030	9 - 3	P003-005040	5 - 2
132010-22130	1 - 17	A101-000630	1 - 7	P003-005090	5 - 34
132012-11960	1 - 20	A127000021	2 - 11	P003-005350	5 - 19
13211501461	1 - 19	A172-002040	7 - 10	P021-000063	9 - 28
13211544330	2 - 29	A202-000001	4 - 3	P021-001950	9 - 5
15011716430	3 - 6	A225-000025	4 - 5	P021-001965	8 - 2
156110-04920	3 - 7	A226-000051	4 - 8	P021-003438	2 - 4
156114-07320	3 - 11	A232-000061	4 - 9	P021-005581	2 - 21
163911-30130	2 - 14	A235-000040	4 - 10	P021-005591	2 - 18
177236-44330	7 - 6	A239-000000	2 - 13	P021-038071	1 - 3
177247-04630	3 - 19	A244-000000	4 - 7	P021-038181	9 - 8
431610-10030	11 - D2	A300-001641	6 - 1	P021-044050	1 - 1
433026-35430	2 - 15	A310-000420	6 - 7	P021-044060	1 - 6
433116-35430	9 - 20	A312-000060	6 - 3	P022-001320	7 - 8
43316739130	9 - 15	A313-001970	6 - 5	P022-001330	7 - 4
436114-13930	2 - 6	A320-001030	6 - 9	P022-005860	7 - 7
436205-02832	1 - 16	A365-000050	2 - 20	P022-005870	7 - 3



**Index**

<b>Patrs Number</b>	<b>Key No.</b>	<b>Patrs Number</b>	<b>Key No.</b>	<b>Patrs Number</b>	<b>Key No.</b>
P022-033280	7 - 5	X122-000073	11 - C1		
P022-037670	7 - 9	X220-000020	11 - A2		
P022-039810	7 - 2	X221-000100	10 - 2		
V104-001850	6 - 6	X221-000100	11 - B2		
V104-001860	6 - 2	X222-000140	11 - C2		
V137-000000	2 - 31	X490-000530	10 - 3		
V150-003810	8 - 15	X502-000340	9 - 34		
V186-000510	2 - 26	X502-000780	7 - 12		
V187-000010	1 - 21	X503-012590	4 - 12		
V202-000000	8 - 16	X505-002441	8 - 20		
V202-000011	2 - 9	X505-006921	7 - 13		
V202-000020	8 - 17	X505-007710	6 - 12		
V203-000021	9 - 30	X602-000080	10 - 4		
V203-000100	3 - 16				
V225-000031	2 - 8				
V265-000200	9 - 25				
V308-000030	1 - 13				
V341-000180	6 - 10				
V353-000060	9 - 16				
V355-000800	9 - 33				
V356-000290	1 - 15				
V358-000021	4 - 6				
V376-000450	9 - 24				
V450-000070	9 - 21				
V450-000080	8 - 13				
V450-000340	8 - 5				
V451-000150	9 - 6				
V452-000010	8 - 11				
V452-000030	3 - 18				
V452-000110	9 - 18				
V470-000321	2 - 25				
V471-001230	2 - 24				
V471-001251	2 - 2				
V471-001261	2 - 3				
V475-001900	3 - 8				
V475-003550	3 - 9				
V485-000140	3 - 10				
V490-001230	1 - 18				
V490-001240	2 - 27				
V505-000000	1 - 4				
V555-000170	9 - 2				
V651-000001	9 - 32				
V651-000011	9 - 31				
V652-000030	1 - 14				
X101-000011	11 - D1				
X101-000171	11 - E1				
X120-000021	11 - A1				
X121-000003	10 - 1				
X121-000003	11 - B1				

# YAMABIKO CORPORATION

7-2 SUEHIROCHO 1-CHOME, OHME, TOKYO 198-8760, JAPAN  
PHONE: 81-428-32-6118. FAX: 81-428-32-6145.



-14B  
No. 06-090