

CLS-520ES

Serial Number

U75040000001-U75040999999

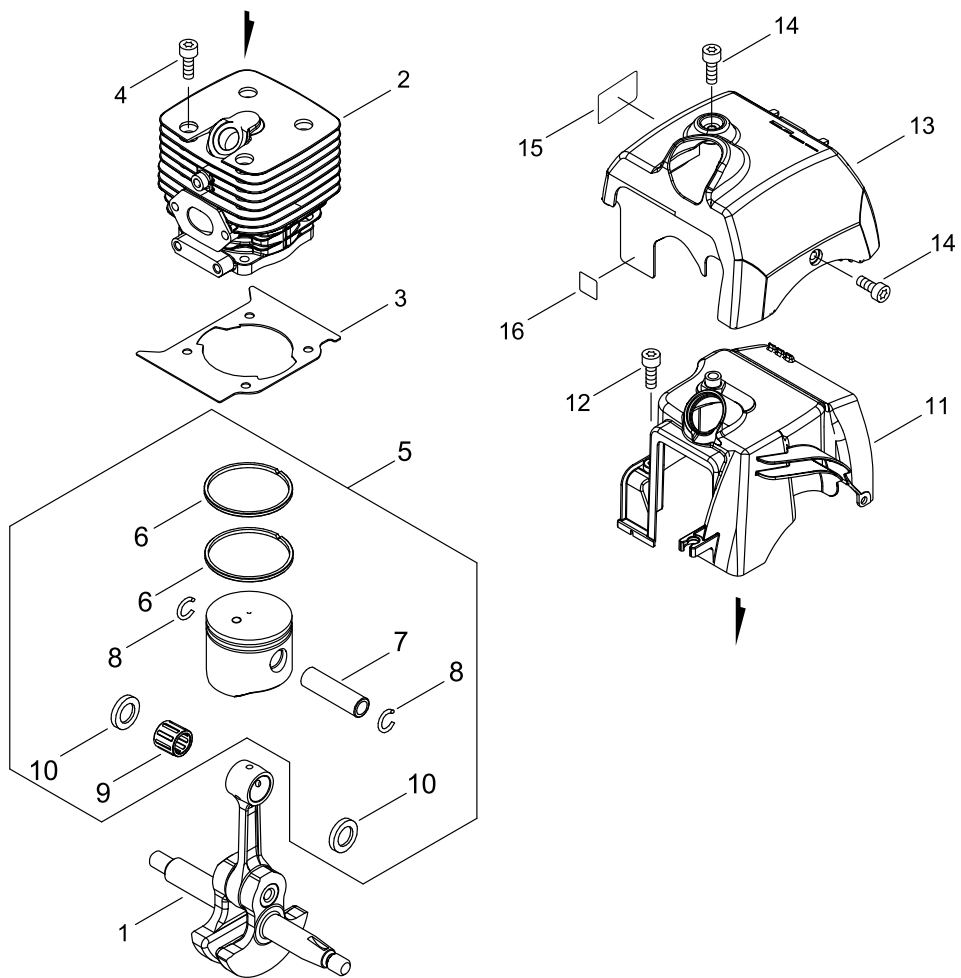
Last updated date

17/Jan/2023

TABLE OF CONTENTS

CYLINDER, PISTON, CRANKSHAFT	1
CRANKCASE	3
MAGNETO.....	5
CLUTCH.....	7
AIR CLEANER, CARBURETOR.....	9
CARBURETOR.....	11
FUEL TANK	13
MUFFLER.....	15
RECOIL STARTER.....	17
GEAR CASE, SHIELD	19
MAIN PIPE, HANDLE.....	21
THROTTLE.....	23
ACCESSORIES	25
HARNESS.....	27

CYLINDER, PISTON, CRANKSHAFT



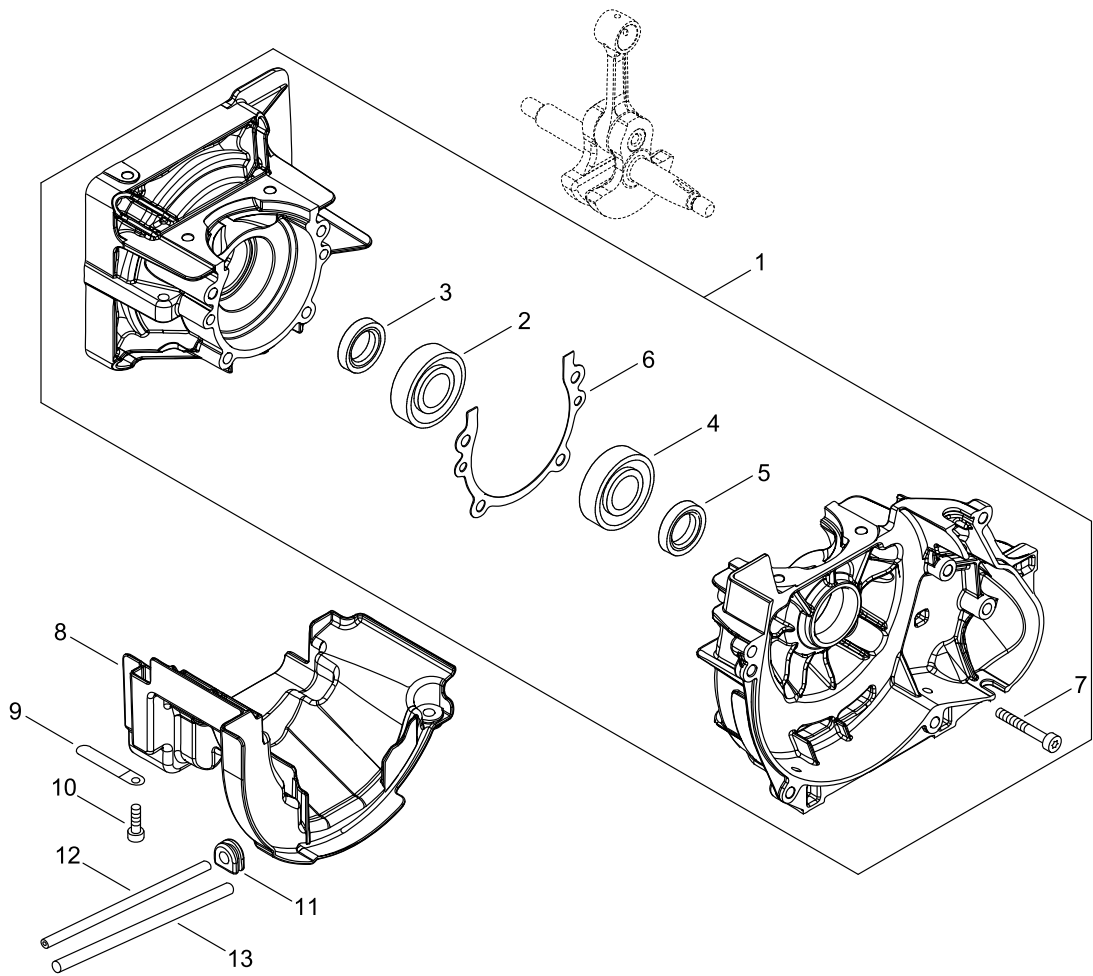
CYLINDER, PISTON, CRANKSHAFT

Key No.	LV (+)	Parts Number	Parts Description	Qty	Standard	Class
1		A011-001350	CRANKSHAFT,ASY	1		D
2		A130-002191	CYLINDER	1		D
3		V100-000790	GASKET,CYL	1	T:0.8	B
4		V805-000210	BOLT, TORX 5	4	TB-5*20 12.9	C
5		P021-050440	PISTON KIT	1		
6	+	A101-000690	RING, PISTON	2	44*1.2*1.8	B
7	+	V609-000000	PIN,ENG 11	1		D
8	+	100015-32330	CIRCLIP, PISTON PIN	2		C
9	+	V556-000000	BEARING,NEEDLE 11	1	KBK11*15*15.8X2	C
10	+	V308-000100	WASHER,CIRCULAR 11	2		C
11		A160-002930	COVER,CYLINDER	1		C
12		V835-000000	BOLT, TORX 5	1		C
13		A160-002632	COVER,CYLINDER	1	SRM-420ES OUTER	C
14		V835-000000	BOLT, TORX 5	2		C
15		X547-003850	LABEL,ECHO	1	ECHO+CLS-520ES	D
16		X524-001901	LABEL	1		D

Class : Consumable class

A:Fast moving parts B:Semi-fast moving parts C:Slow moving parts D:Order only as needed

CRANKCASE



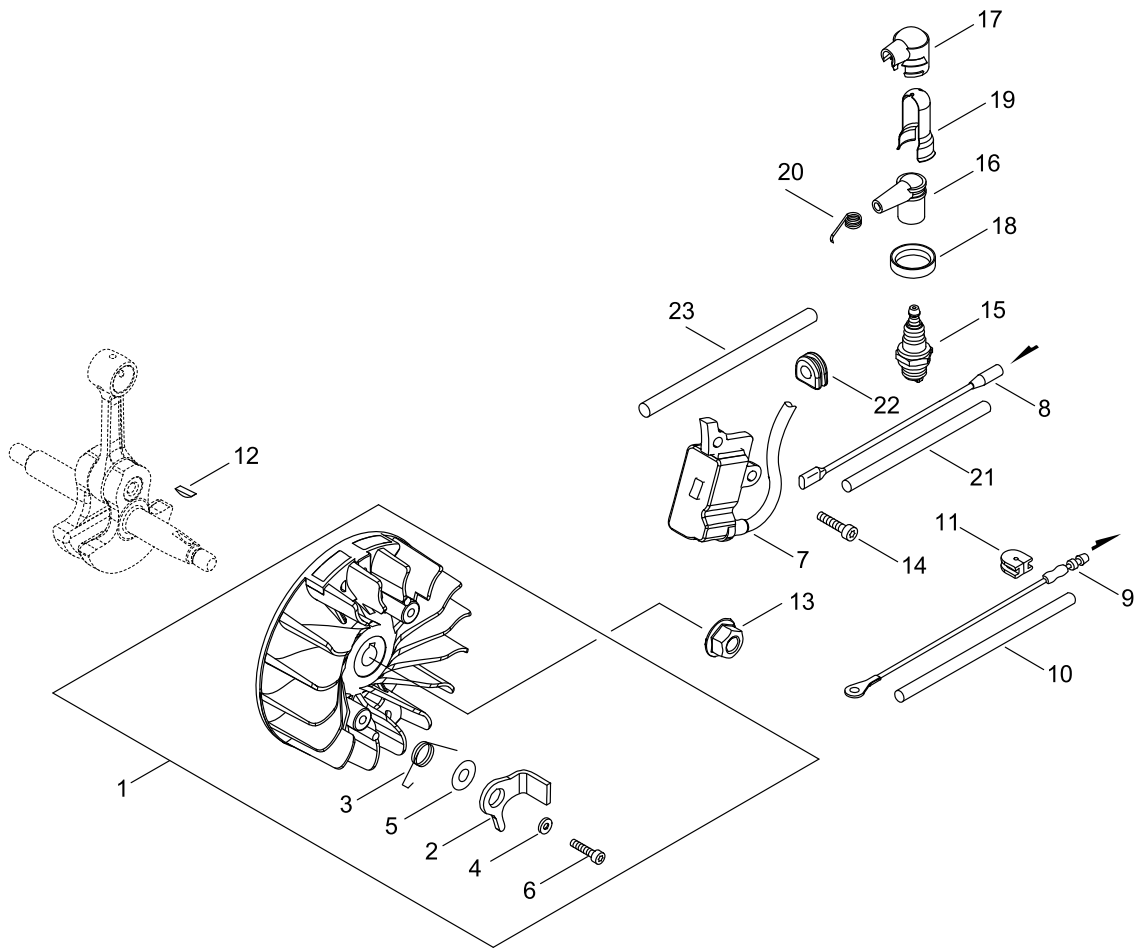
CRANKCASE

Key No.	LV (+)	Parts Number	Parts Description	Qty	Standard	Class
1		P021-047120	CRANK CASE SET	1		
2	+	900810-36202	BEARING, BALL	1	6202	
3	+	100213-00310	OILSEAL	1	ISCD 15 25 7	C
4	+	900810-36202	BEARING, BALL	1	6202	
5	+	100213-00310	OILSEAL	1	ISCD 15 25 7	C
6	+	V102-000260	GASKET,CRANKCASE	1	T:0.5	B
7	+	V805-000180	BOLT, TORX 5	4	TB-5*30 12.9	C
8		A209-000740	PLATE, INSULATOR	1		C
9		159116-21231	CLAMP	1		C
10		V835-000000	BOLT, TORX 5	2		C
11		156110-04920	BUSHING	1		C
12		V471-000741	PIPE	1	3*6*160	C
13		V475-008080	TUBE	1	8*9*125	C

Class : Consumable class

A:Fast moving parts B:Semi-fast moving parts C:Slow moving parts D:Order only as needed

MAGNETO



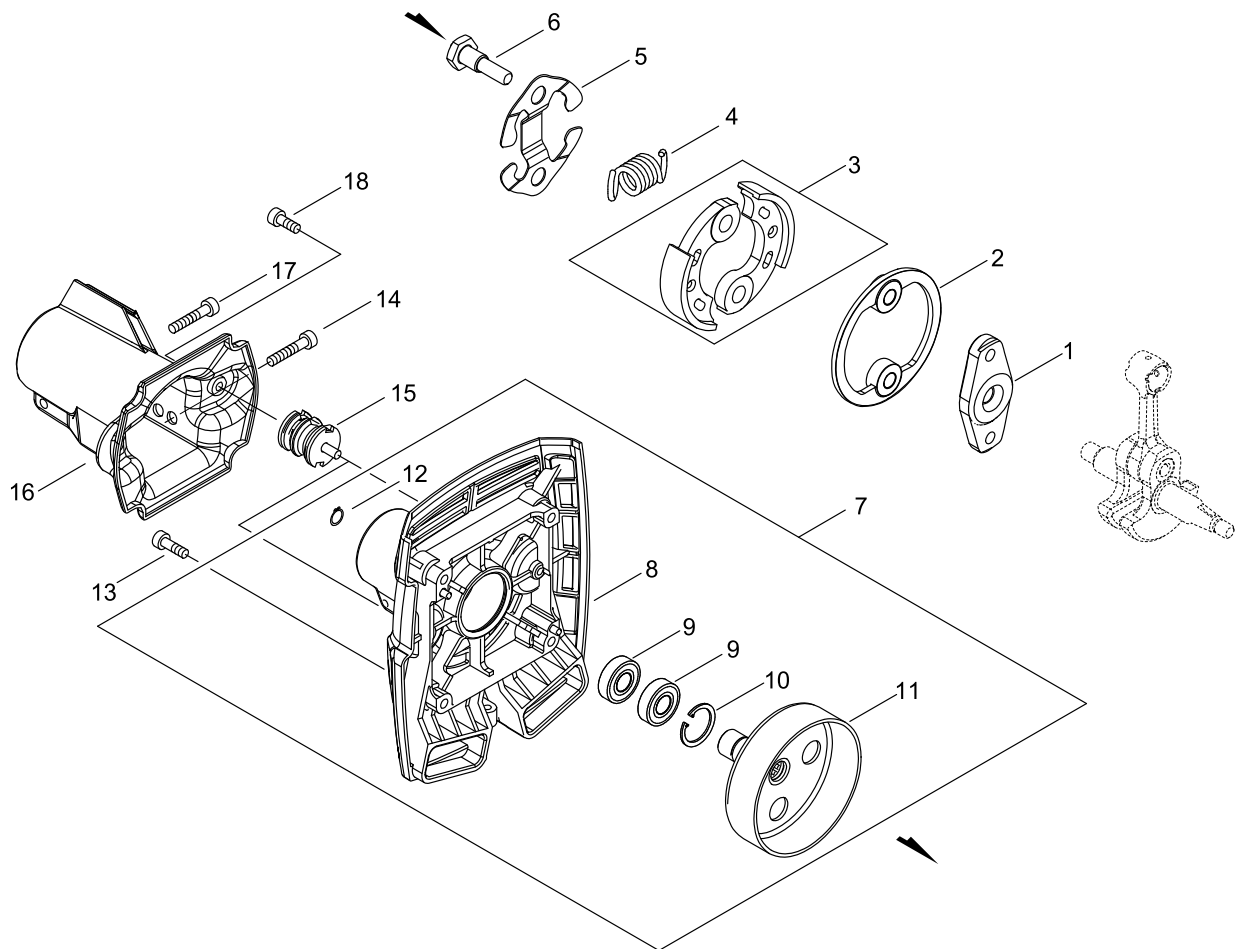
MAGNETO

Key No.	LV (+)	Parts Number	Parts Description	Qty	Standard	Class
1		P200-001380	ROTOR,MAGNETO KIT	1		C
2	+	A514-000280	PAWL	2		C
3	+	V452-001370	SPRING,TORSION	2		B
4	+	178070-10860	SPACER	2		C
5	+	131911-03460	WASHER	2		C
6	+	V805-000140	BOLT, TORX 5	2	TB-5*12 10.9	C
7		A411-002090	COIL, IGNITION	1		C
8		V485-002331	LEAD	1		C
9		V485-002570	LEAD	1		C
10		V475-008080	TUBE	1	8*9*125	C
11		156114-07320	GROMMET	1		C
12		100142-12330	KEY, WOODRUFF	1		C
13		92105-08000	NUT L, FLANGE	1	8	
14		V805-000150	BOLT, TORX 5	2	TB-5*16 10.9	C
15		A425-000000	SPARKPLUG	1	BPMR8Y	A
16		A427-000090	PLUG CAP	1		C
17		A429-000110	PLUG CAP COVER	1		C
18		V495-001440	COVER BAND	1		C
19		V151-000050	SHIELD	1		C
20		159011-03432	COIL, SPARK PLUG	1		C
21		V475-007540	TUBE	1		C
22		156110-04920	BUSHING	1		C
23		V475-007550	TUBE	1		C

Class : Consumable class

A:Fast moving parts B:Semi-fast moving parts C:Slow moving parts D:Order only as needed

CLUTCH



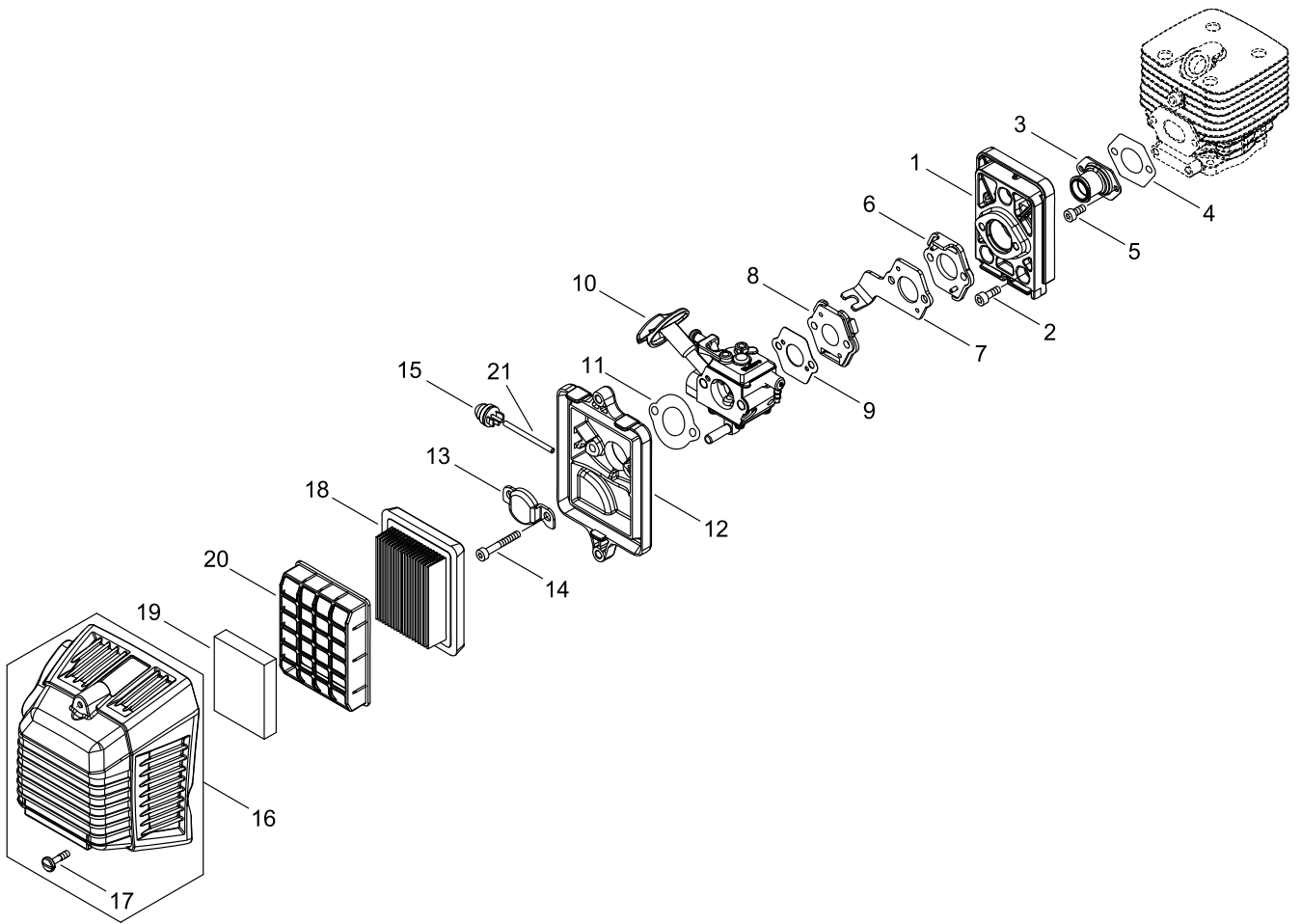
CLUTCH

Key No.	LV (+)	Parts Number	Parts Description	Qty	Standard	Class
1		175016-54430	HUB, CLUTCH	1		B
2		V376-001650	SPACER	1		C
3		P100-000100	CLUTCH SHOE SET	1		
4		A566-000260	SPRING, CLUTCH	1	3.2 361N	B
5		V453-000100	SPRING,FLAT	1	10.2	C
6		A557-000200	SHAFT,CLUTCH	2		B
7		P100-012550	CASE,CLUTCH ASY	1		D
8	+	A570-000370	CASE,CLUTCH	1		D
9	+	900819-06202	BEARING, BALL	2	6202LLB	
10	+	900702-00035	RETAINING RING	1	CR-35	
11	+	P100-012720	DRUM, CLUTCH	1		B
12	+	900701-00015	RETAINING RING	1	CS-15	
13		V805-000160	BOLT, TORX 5	4	TB-5*20 10.9	C
14		V805-000360	BOLT, TORX 5	2	TB-5*30 ALL10.9	C
15		V401-000630	CUSHION,5	2		B
16		610922-54430	HOLDER	1		C
17		V805-000060	BOLT, TORX 5	1	TB-5*35 10.9	C
18		V805-000140	BOLT, TORX 5	2	TB-5*12 10.9	C

Class : Consumable class

A:Fast moving parts B:Semi-fast moving parts C:Slow moving parts D:Order only as needed

AIR CLEANER, CARBURETOR



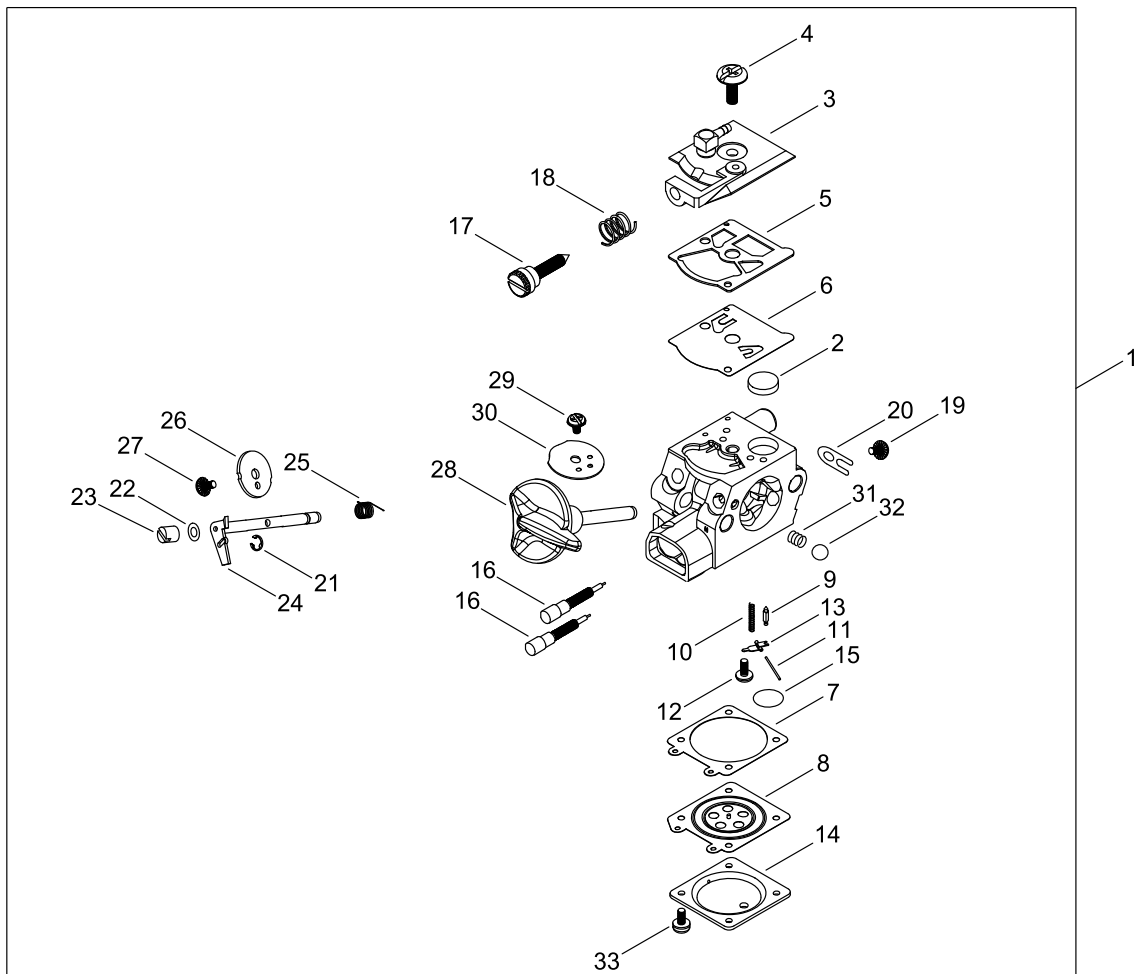
AIR CLEANER, CARBURETOR

Key No.	LV (+)	Parts Number	Parts Description	Qty	Standard	Class
1		A200-000990	INSULATOR, INTAKE	1		C
2		V855-000000	BOLT, TORX 5	3	TB-5*20	C
3		A202-000270	BELLOWS, INTAKE	1		C
4		V103-001620	GASKET,INTAKE	1		A
5		V835-000010	BOLT, TORX 5	2	TB-5*12 10.9	C
6		A209-000720	PLATE, INSULATOR	1		C
7		C487-000410	HOLDER, CABLE	1		C
8		A209-000840	PLATE, INSULATOR	1		C
9		V103-001610	GASKET,INTAKE	1		A
10		A021-004220	CARBURETOR,DIAPHRAGM	1	WT-1096	B
11		V103-000500	GASKET,INTAKE	1	ASK NO.4600	A
12		A225-000690	CASE,CLEANER	1		C
13		A244-000290	PLATE, PREVENT	1		C
14		V805-000330	BOLT, TORX 5	2	TB-5*65 12.9	C
15		123181-39130	PUMP, PRIMER	1		A
16		P021-047381	CLEANER LID ASY	1		
17	+	V253-000100	SCREW,5	2	5*20	C
18		A226-000361	ELEMENT, AIR FILTER	1	AFP-2010K-300	A
19		A226-001740	ELEMENT, AIR FILTER	1		A
20		A227-000040	PLATE, ELEMENT	1		C
21		V471-001301	PIPE	1	2.4*5*65	C

Class : Consumable class

A:Fast moving parts B:Semi-fast moving parts C:Slow moving parts D:Order only as needed

CARBURETOR



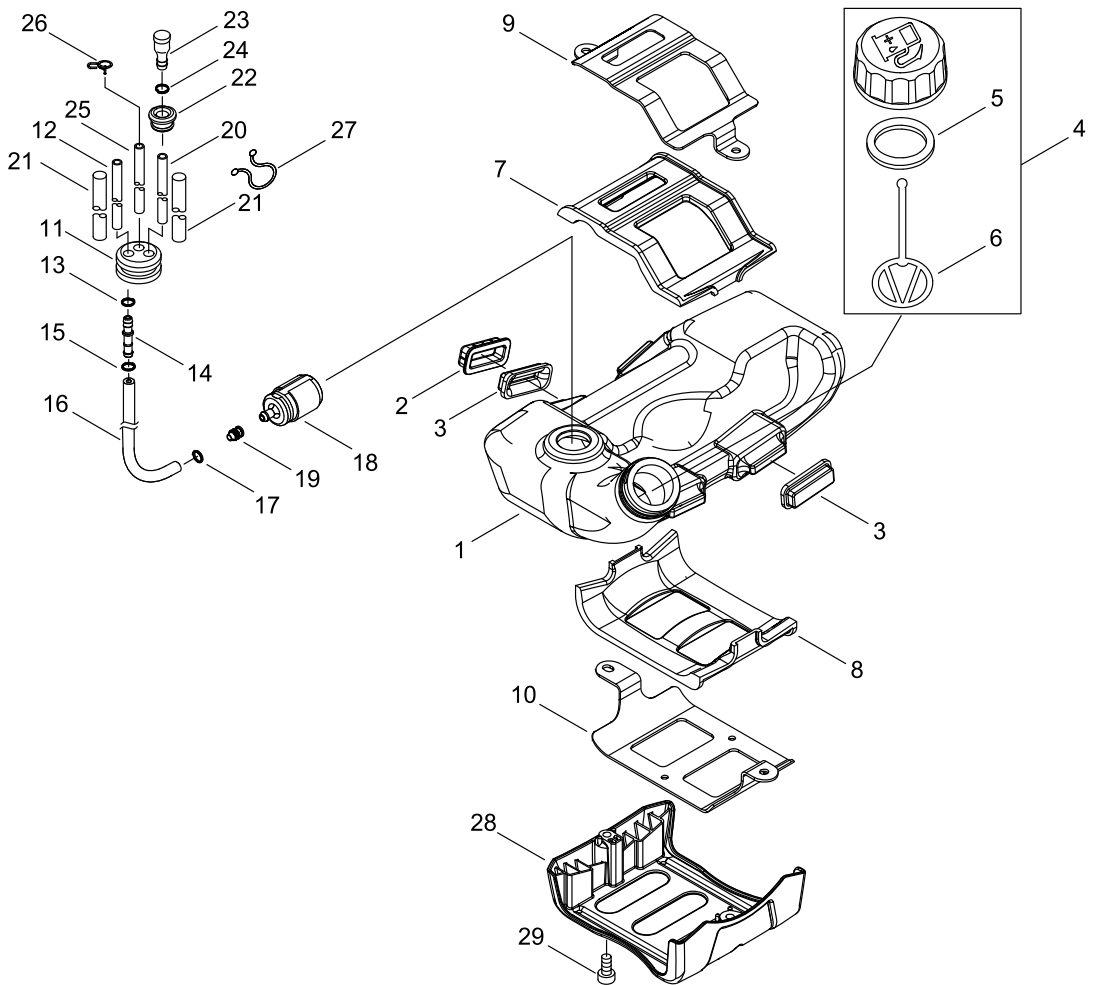
CARBURETOR

Key No.	LV (+)	Parts Number	Parts Description	Qty	Standard	Class
1		A021-004220	CARBURETOR,DIAPHRAGM	1	WT-1096	B
2	+	123126-10631	SCREEN, INLET	1		B
3	+	P003-005450	PUMP COVER ASY	1		
4	+	123110-03930	SCREW, PUMP COVER	1		D
5	+	123125-15030	GASKET, FUEL PUMP	1		A
6	+	123112-15030	DIAPHRAGM, FUEL PUMP	1		A
7	+	123140-27230	GASKET,M. DIAPHRAGM	1		A
8	+	P003-001850	DIAPHRAGM, METERING	1		A
9	+	123137-19830	VALVE, INLET NEEDLE	1		D
10	+	123122-03660	SPRING, METER. LEVER	1		D
11	+	123138-03930	PIN, METERING LEVER	1		D
12	+	123139-03930	SCREW, M. LEVER PIN	1		D
13	+	123123-03930	LEVER, METERING	1		D
14	+	123142-03930	COVER, M. DIAPHRAGM	1		D
15	+	123146-10631	PLUG, WELCH	1		C
16	+	P003-002270	NEEDLE	2		D
17	+	123134-04260	SCREW, IDLE ADJUST	1		D
18	+	123133-04260	SPRING, IDLE ADJUST	1		D
19	+	P003-005120	SCREW	1		D
20	+	123127-03930	CLIP, THROTTLE SHAFT	1		C
21	+	123173-07930	CLIP	1		C
22	+	123149-54230	WASHER	1		C
23	+	P003-005460	SWIVEL	1		
24	+	P003-005020	SHAFT ASM THROTTLE	1		
25	+	123113-47530	SPRING, THR. RTN.	1		B
26	+	P003-000310	VALVE THROTTLE	1		D
27	+	P003-002380	SCREW	1		D
28	+	P003-005470	SHAFT ASY, CHOKE	1		
29	+	123114-38830	SCREW	1		D
30	+	P003-001790	VALVE, CHOKE	1		
31	+	123135-10630	SPRING, CHOKE FRICT.	1		D
32	+	123136-10630	BALL, CHOKE FRICTION	1		D
33	+	123130-02960	SCREW	4		D

Class : Consumable class

A:Fast moving parts B:Semi-fast moving parts C:Slow moving parts D:Order only as needed

FUEL TANK



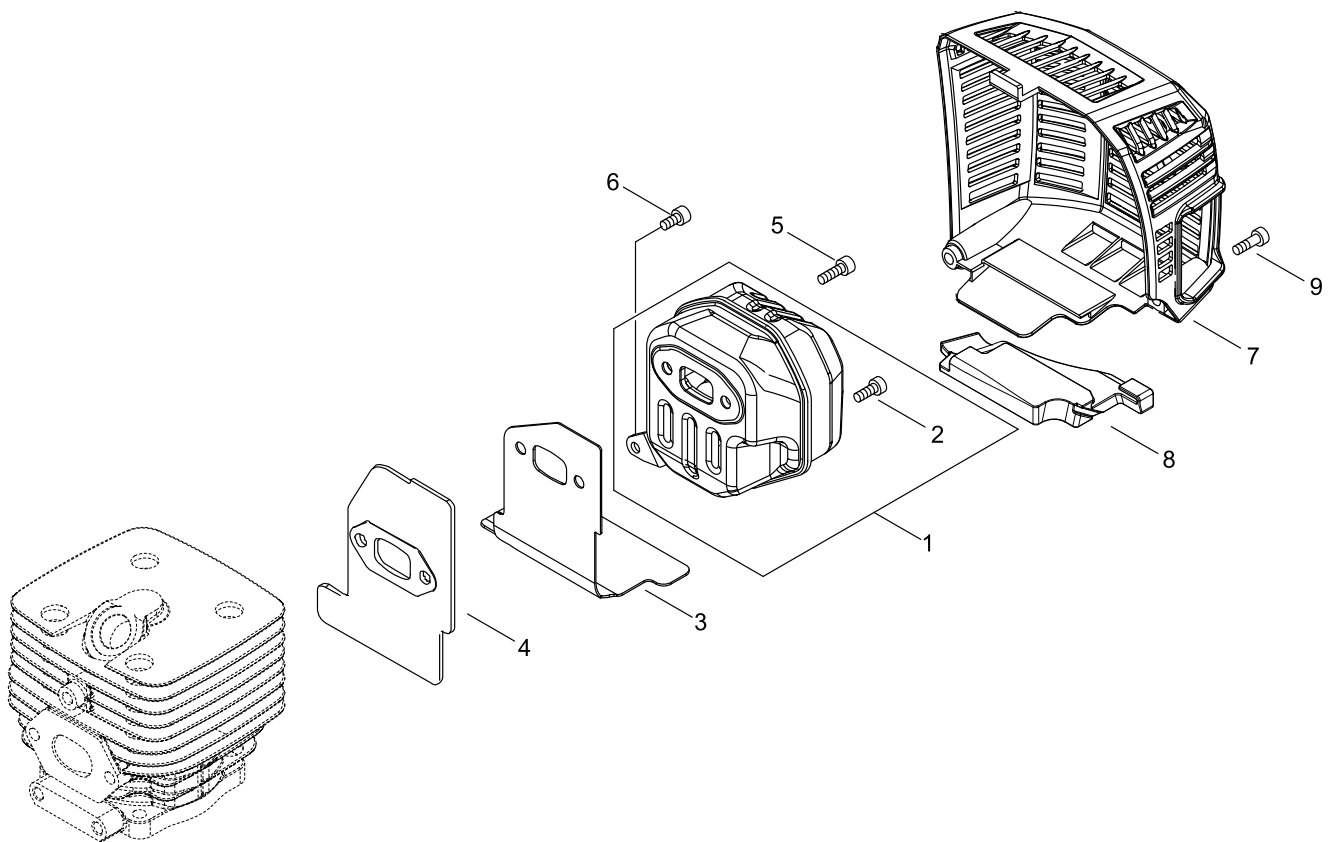
FUEL TANK

Key No.	LV (+)	Parts Number	Parts Description	Qty	Standard	Class
1		A350-002021	TANK, FUEL	1		C
2		V423-000130	HOLDER,CUSHION	2		C
3		V420-004860	CUSHION	4		B
4		P021-012211	CAP,FUEL ASY	1		C
5	+	V107-000190	GASKET,FUEL CAP	1	37.9* T 2.2	A
6	+	A365-000060	CONNECTOR,CAP	1	L=123	B
7		A390-000050	SEAT,FUEL TANK	1	UPPER	C
8		A390-000060	SEAT,FUEL TANK	1	LOWER	C
9		A393-000320	BRACKET,FUEL TANK	1		C
10		A393-000330	BRACKET,FUEL TANK	1		C
11		132115-55931	GROMMET, FUEL	1	3 φ5	C
12		V471-002311	PIPE	1	3*6*130	C
13		V490-001240	CLIP	1		C
14		V186-000510	JOINT,PIPE	1		C
15		130111-00530	CLIP	1	5.5	C
16		V470-000841	PIPE	1	DO 5 L180	C
17		V490-001240	CLIP	1		C
18		A369-000001	STRAINER, FUEL	1	125-528	A
19		A413-000190	BOOT	1		C
20		130110-14530	PIPE, IMPULSE	1	3*6*135L	C
21		V475-007720	TUBE	2	8*9*80	C
22		132115-01462	GROMMET	1		C
23		131300-56431	VENT ASSEMBLY, FUEL	1		B
24		V490-001240	CLIP	1		C
25		V471-000630	PIPE	1		C
26		V490-000510	CLIP	1		C
27		V491-000460	CLIP	1	ELS-200-2	C
28		A175-000331	STAND	1		C
29		V835-000030	BOLT, TORX 5	2	TB-5*20 10.9	C

Class : Consumable class

A:Fast moving parts B:Semi-fast moving parts C:Slow moving parts D:Order only as needed

MUFFLER



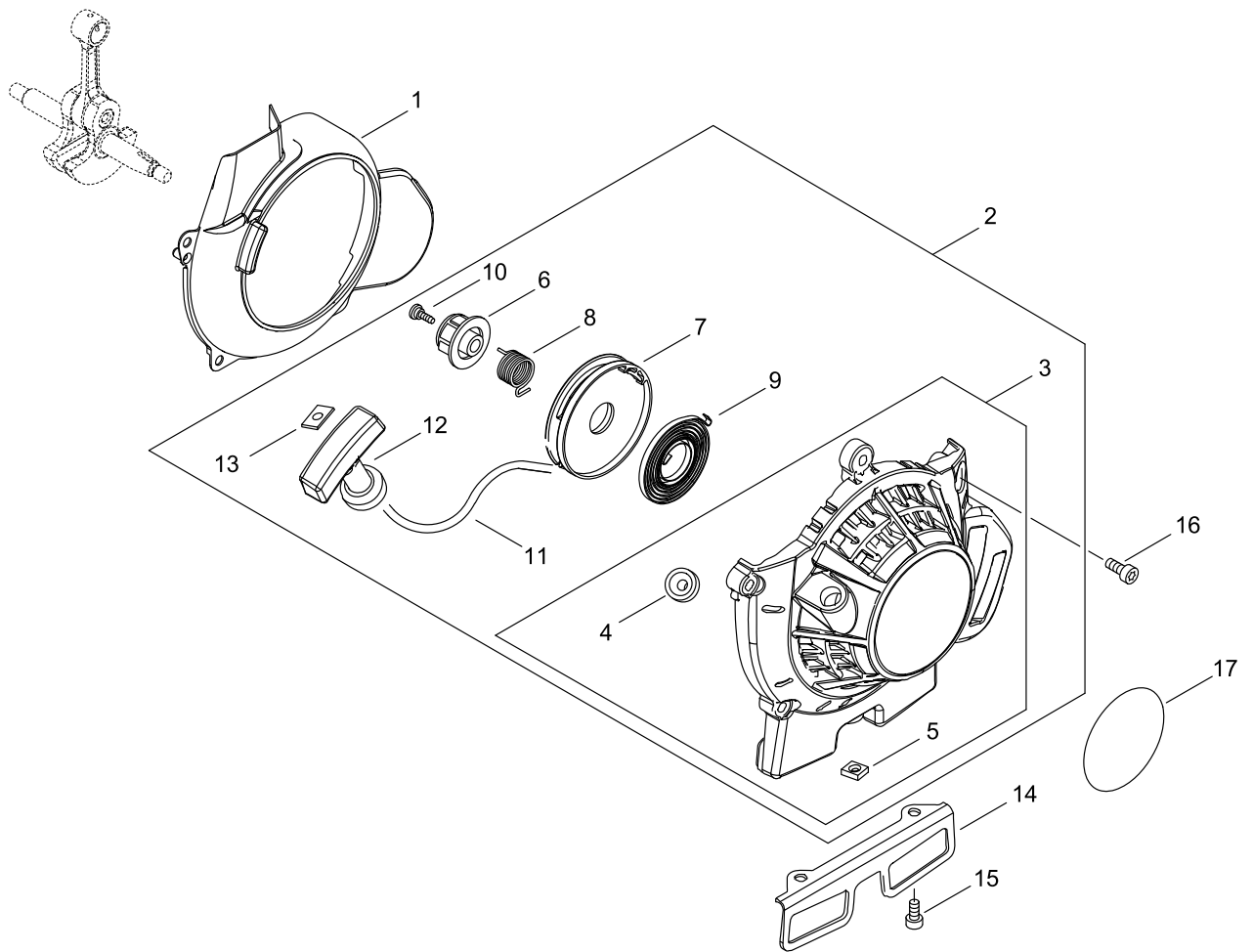
MUFFLER

Key No.	LV (+)	Parts Number	Parts Description	Qty	Standard	Class
1		P100-005120	MUFFLER ASY	1		
2	+	V804-000030	BOLT, TORX 4	1	TB-4*8 10.9	C
3		V104-002170	GASKET,EXHAUST	1	NP7002 T:1.0	A
4		V104-002030	GASKET,EXHAUST	1		A
5		V806-000050	BOLT, TORX 6	2	TB-6*20 12.9	C
6		V805-000300	BOLT, TORX 5	1	TB-5*12 12.9	C
7		A320-001110	COVER,MUFFLER	1		C
8		V541-000540	SEAL	1		C
9		V805-000260	BOLT, TORX 5	2	TB5*25 10.9	C

Class : Consumable class

A:Fast moving parts B:Semi-fast moving parts C:Slow moving parts D:Order only as needed

RECOIL STARTER



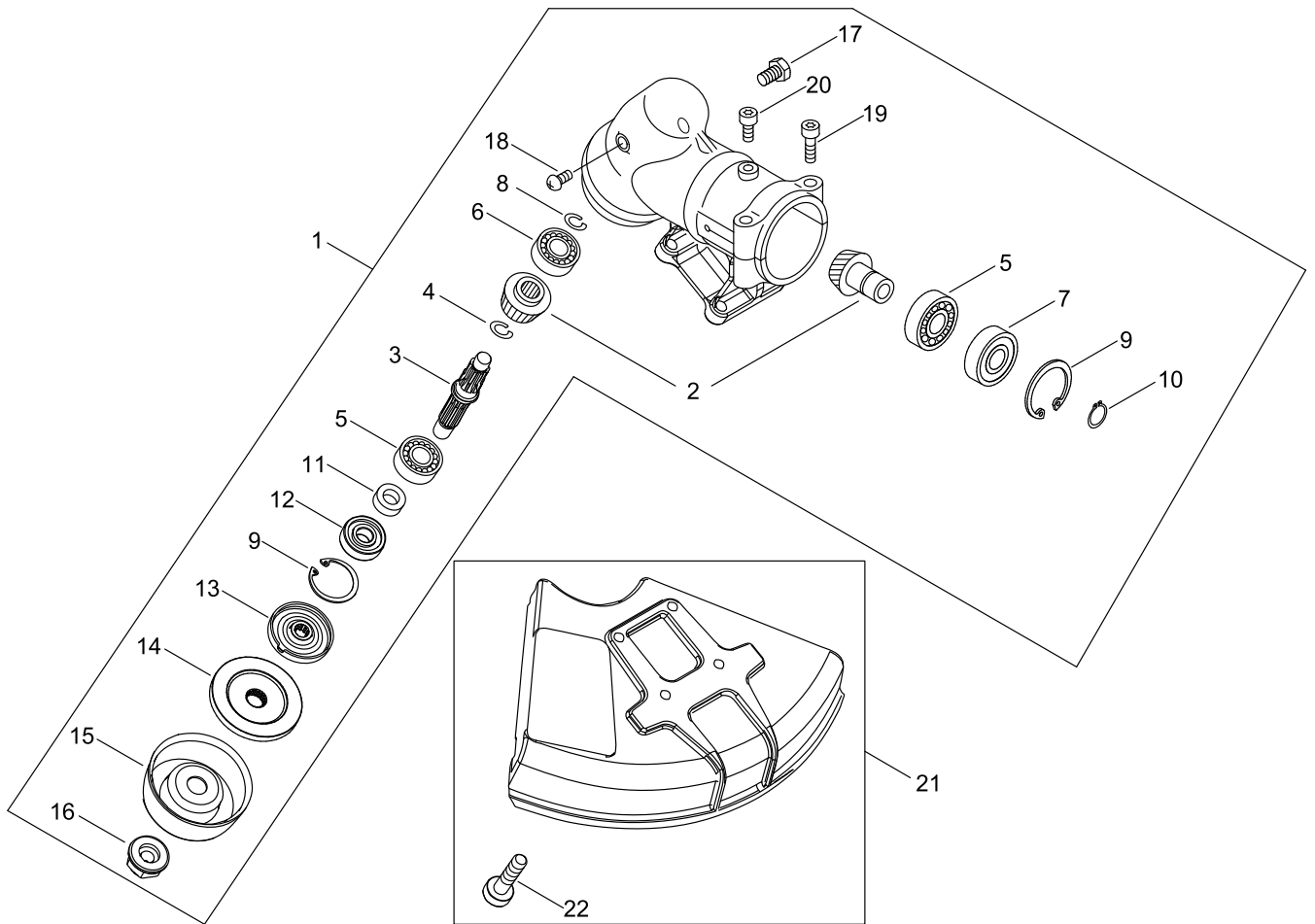
RECOIL STARTER

Key No.	LV (+)	Parts Number	Parts Description	Qty	Standard	Class
1		A172-002600	COVER,FAN	1		C
2		A051-002881	STARTER,RECOIL ASY	1		B
3	+	P022-060840	STARTER CASE	1		C
4	++	P022-045770	GUIDE, ROPE	1		C
5	++	900565-00005	NUT, SQUARE	1	5	
6	+	P022-033830	CAM	1		
7	+	P022-060860	DRUM, STARTER	1		C
8	+	P022-023120	SPRING,DAMPER	1		
9	+	P022-004680	SPRING, SPIRAL	1		B
10	+	P022-023110	SCREW	1		
11	+	P022-037560	ROPE, STARTER	1		
12	+	177228-11120	GRIP, STARTER	1		
13	+	P022-037670	STOPPER, ROPE	1		C
14		A393-000300	BRACKET,FUEL TANK	1	T1.5	C
15		V805-000150	BOLT, TORX 5	2	TB-5*16 10.9	C
16		V835-000030	BOLT, TORX 5	4	TB-5*20 10.9	C
17		X502-000900	LABEL,ECHO	1		D

Class : Consumable class

A:Fast moving parts B:Semi-fast moving parts C:Slow moving parts D:Order only as needed

GEAR CASE, SHIELD



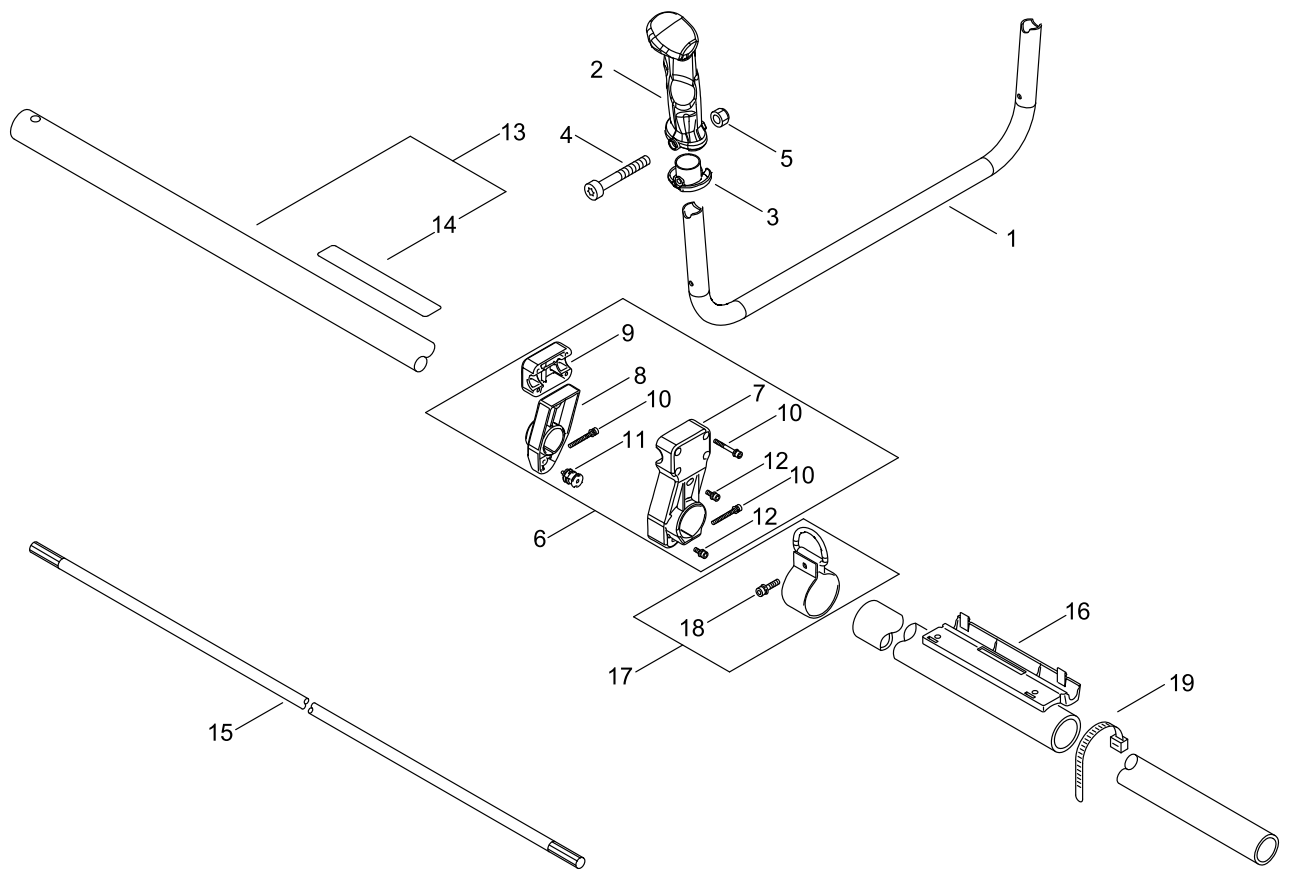
GEAR CASE, SHIELD

Key No.	LV (+)	Parts Number	Parts Description	Qty	Standard	Class
1		P100-012620	CASE ASY, GEAR	1		C
2	+	610300-47530	GEAR SET	1		D
3	+	C534-000522	SHAFT,GEAR	1		D
4	+	92411-14000	RETAINING RING	1	WR-14	
5	+	94060-06202	BEARING, BALL	2	6202	
6	+	94060-06001	BEARING, BALL	1	6001	
7	+	94063-06202	BEARING, BALL	1	6202Z	
8	+	900701-00012	RETAINING RING	1	CS-12	
9	+	900702-00035	RETAINING RING	2	CR-35	
10	+	900701-00015	RETAINING RING	1	CS-15	
11	+	V358-000250	COLLAR,14	1		D
12	+	610413-47530	OILSEAL IS 20 35 7	1		C
13	+	C535-000050	FIXTURE,BLADE	1		B
14	+	C535-000060	FIXTURE,BLADE	1		B
15	+	610352-47530	PLATE, CUP	1		B
16	+	610320-47530	NUT L, LOCK	1	12	
17	+	610434-50031	BOLT 8* 8	1	M8*8	B
18	+	900220-04006	SCREW	1	4*6	
19	+	V805-000060	BOLT, TORX 5	2	TB-5*35 10.9	C
20	+	V805-000140	BOLT, TORX 5	1	TB-5*12 10.9	C
21		P021-012721	SHIELD ASY	1		B
22	+	V805-000410	BOLT, TORX 5	4	TB-5*20 10.9	C

Class : Consumable class

A:Fast moving parts B:Semi-fast moving parts C:Slow moving parts D:Order only as needed

MAIN PIPE, HANDLE



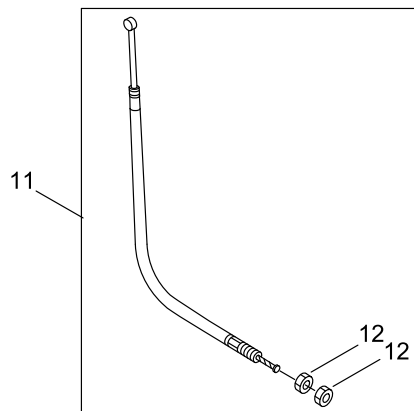
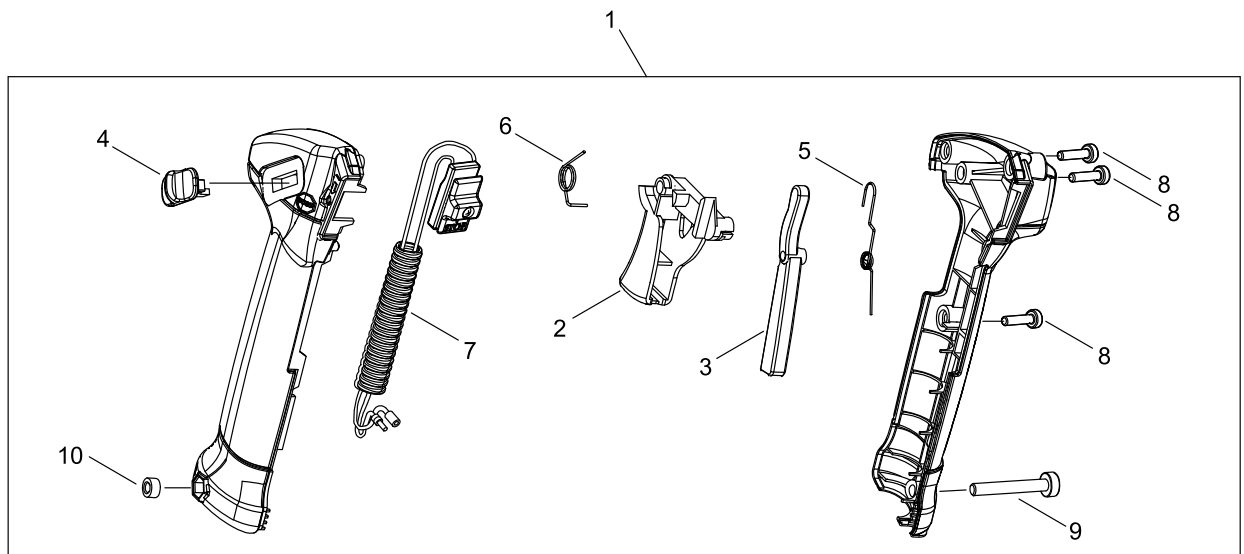
MAIN PIPE, HANDLE

Key No.	LV (+)	Parts Number	Parts Description	Qty	Standard	Class
1		C400-001820	HANDLE, FRONT	1	22X T2.0	C
2		C403-000810	GRIP, HANDLE	1		C
3		C441-000000	PIECE,HAND GUARD	1	22	C
4		V805-000070	BOLT, TORX 5	1	TB-5*40 10.9	C
5		900562-50005	NUT, LOCK	1	5	
6		P100-012630	BRACKET, HANDLE ASY	1		C
7	+	351316-47532	BRACKET, HANDLE	1		D
8	+	351317-47531	BRACKET, HANDLE	1		D
9	+	351318-47531	BRACKET, HANDLE	1		D
10	+	V805-000060	BOLT, TORX 5	6	TB-5*35 10.9	C
11	+	100905-51530	CUSHION	2		B
12	+	V805-000140	BOLT, TORX 5	2	TB-5*12 10.9	C
13		P100-003930	MAIN PIPE ASY	1		
14	+	890617-43130	LABEL,CAUTION	1		D
15		610011-47530	SHAFT, DRIVE	1		C
16		P100-003940	PIPE ASY	1		
17		P100-012640	HOOK ASY	1		C
18	+	V805-000150	BOLT, TORX 5	1	TB-5*16 10.9	C
19		178121-10850	BAND	2	CV-200	C

Class : Consumable class

A:Fast moving parts B:Semi-fast moving parts C:Slow moving parts D:Order only as needed

THROTTLE



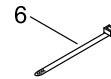
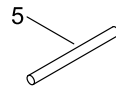
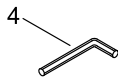
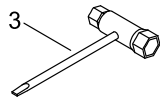
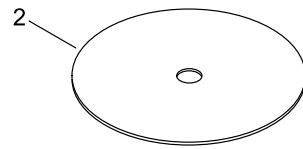
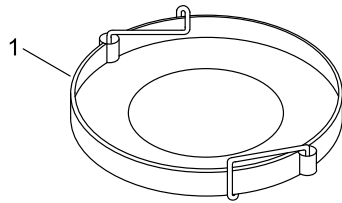
THROTTLE

Key No.	LV (+)	Parts Number	Parts Description	Qty	Standard	Class
1		P100-006090	THROTTLE ASY	1		
2	+	C450-000880	CONTROL, THROTTLE	1		C
3	+	C460-000490	LOCKOUT, THROTTLE	1		C
4	+	C463-000000	KNOB,LATCH	1		C
5	+	V452-001540	SPRING,TORSION	1		B
6	+	V452-000060	SPRING,TORSION	1		B
7	+	P021-041471	SWITCH,ON OFF ASY	1		
8	+	V804-000010	BOLT, TORX 4	3	TT-4*16 DG 10.9	C
9	+	V805-000060	BOLT, TORX 5	1	TB-5*35 10.9	C
10	+	900500-00005	NUT	1	5	
11		V430-004690	CABLE,BOWDEN	1		B
12	+	900502-00006	NUT	2	6	

Class : Consumable class

A:Fast moving parts B:Semi-fast moving parts C:Slow moving parts D:Order only as needed

ACCESSORIES



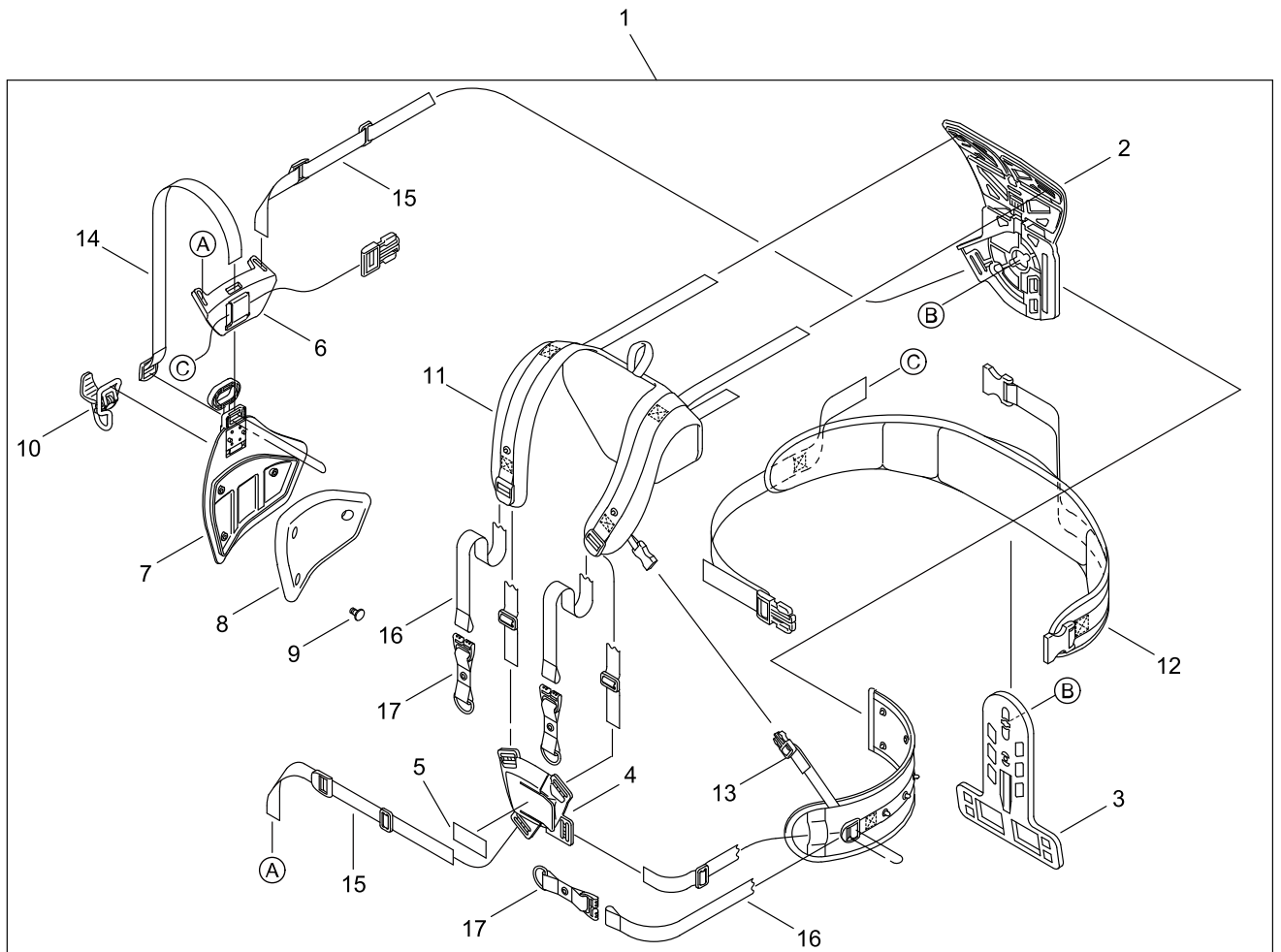
ACCESSORIES

Key No.	LV (+)	Parts Number	Parts Description	Qty	Standard	Class
1		P021-016360	COVER SET, CUTTER	1		
2		X040-000090	SAW SET, BUSH CUTTER	1	22X200X20.0XT1.5	A
3		X602-000020	TOOL,WRENCH	1	17*19 L200	D
4		X605-000170	TOOL,L WRENCH	1		D
5		X606-000080	TOOL,BAR	1	5*120	D
6		178121-43230	BAND	1	CV-150 BL	C

Class : Consumable class

A:Fast moving parts B:Semi-fast moving parts C:Slow moving parts D:Order only as needed

HARNESS



HARNESS

Key No.	LV (+)	Parts Number	Parts Description	Qty	Standard	Class
1		C062-000611	HARNESS, SHOULDER	1	EPH-01E	B
2	+	C630-000230	SEAT, BACKPACK	1		C
3	+	C630-000250	SEAT, BACKPACK	1		C
4	+	P021-047390	BUCKLE, HARNESS SET	1		
5	+	X502-000390	LABEL,ECHO	1	ECHO 72.5*15	D
6	+	C652-000070	PAD, WAIST	1		D
7	+	P021-047231	PAD, WAIST ASY	1		
8	+	C652-000080	PAD, WAIST	1		D
9	+	V491-000490	CLIP	3	#3S53	C
10	+	C063-000050	HOOK,LIFTING	1		C
11	+	C644-000220	PAD, HARNESS	1		D
12	+	C651-000070	BELT, HARNESS	1	ECHO	B
13	+	C652-000090	PAD, WAIST	1		D
14	+	C650-000000	ADJUSTER,STRAP	1		D
15	+	C650-000010	ADJUSTER,STRAP	2		D
16	+	C650-000020	ADJUSTER,STRAP	3		D
17	+	C653-000000	END,BELT	3		D

Class : Consumable class

A:Fast moving parts B:Semi-fast moving parts C:Slow moving parts D:Order only as needed

NUMERICAL PARTS INDEX

Part No	Part description	Page	Part No	Part description	Page	Part No	Part description	Page
100015-32330	CIRCLIP, PISTON PIN	2	351317-47531	BRACKET, HANDLE	22	A226-001740	ELEMENT, AIR FILTER	10
100142-12330	KEY, WOODRUFF	6	351318-47531	BRACKET, HANDLE	22	A227-000040	PLATE, ELEMENT	10
100213-00310	OILSEAL	4	610011-47530	SHAFT, DRIVE	22	A244-000290	PLATE, PREVENT	10
100905-51530	CUSHION	22	610300-47530	GEAR SET	20	A320-001110	COVER,MUFFLER	16
123110-03930	SCREW, PUMP COVER	12	610320-47530	NUT L, LOCK	20	A350-002021	TANK, FUEL	14
123112-15030	DIAPHRAGM, FUEL PUMP	12	610352-47530	PLATE, CUP	20	A365-000060	CONNECTOR,CAP	14
123113-47530	SPRING, THR. RTN.	12	610413-47530	OILSEAL IS 20 35 7	20	A369-000001	STRAINER, FUEL	14
123114-38830	SCREW	12	610434-50031	BOLT 8* 8	20	A390-000050	SEAT,FUEL TANK	14
123122-03660	SPRING, METER. LEVER	12	610922-54430	HOLDER	8	A390-000060	SEAT,FUEL TANK	14
123123-03930	LEVER, METERING	12	890617-43130	LABEL,CAUTION	22	A393-000300	BRACKET,FUEL TANK	18
123125-15030	GASKET, FUEL PUMP	12	900220-04006	SCREW	20	A393-000320	BRACKET,FUEL TANK	14
123126-10631	SCREEN, INLET	12	900500-00005	NUT	24	A393-000330	BRACKET,FUEL TANK	14
123127-03930	CLIP, THROTTLE SHAFT	12	900502-00006	NUT	24	A411-002090	COIL, IGNITION	6
123130-02960	SCREW	12	900562-50005	NUT, LOCK	22	A413-000190	BOOT	14
123133-04260	SPRING, IDLE ADJUST	12	900565-00005	NUT, SQUARE	18	A425-000000	SPARKPLUG	6
123134-04260	SCREW, IDLE ADJUST	12	900701-00012	RETAINING RING	20	A427-000090	PLUG CAP	6
123135-10630	SPRING, CHOKE FRICT.	12	900701-00015	RETAINING RING	8	A429-000110	PLUG CAP COVER	6
123136-10630	BALL, CHOKE FRICTION	12	900701-00015	RETAINING RING	20	A514-000280	PAWL	6
123137-19830	VALVE, INLET NEEDLE	12	900702-00035	RETAINING RING	8	A557-000200	SHAFT,CLUTCH	8
123138-03930	PIN, METERING LEVER	12	900702-00035	RETAINING RING	20	A566-000260	SPRING, CLUTCH	8
123139-03930	SCREW, M. LEVER PIN	12	900810-36202	BEARING, BALL	4	A570-000370	CASE,CLUTCH	8
123140-27230	GASKET,M. DIAPHRAGM	12	900819-06202	BEARING, BALL	8	C062-000611	HARNESS, SHOULDER	28
123142-03930	COVER, M. DIAPHRAGM	12	92105-08000	NUT L, FLANGE	6	C063-000050	HOOK,LIFTING	28
123146-10631	PLUG, WELCH	12	92411-14000	RETAINING RING	20	C400-001820	HANDLE, FRONT	22
123149-54230	WASHER	12	94060-06001	BEARING, BALL	20	C403-000810	GRIP, HANDLE	22
123173-07930	CLIP	12	94060-06202	BEARING, BALL	20	C441-000000	PIECE,HAND GUARD	22
123181-39130	PUMP, PRIMER	10	94063-06202	BEARING, BALL	20	C450-000880	CONTROL, THROTTLE	24
130110-14530	PIPE, IMPULSE	14	A011-001350	CRANKSHAFT,ASY	2	C460-000490	LOCKOUT, THROTTLE	24
130111-00530	CLIP	14	A021-004220	CARBURETOR, DIAPHRAGM	10	C463-000000	KNOB,LATCH	24
131300-56431	VENT ASSEMBLY, FUEL	14	A021-004220	CARBURETOR, DIAPHRAGM	12	C487-000410	HOLDER, CABLE	10
131911-03460	WASHER	6	A051-002881	STARTER,RECOIL ASY	18	C534-000522	SHAFT,GEAR	20
132115-01462	GROMMET	14	A101-000690	RING, PISTON	2	C535-000050	FIXTURE,BLADE	20
132115-55931	GROMMET, FUEL	14	A130-002191	CYLINDER	2	C535-000060	FIXTURE,BLADE	20
156110-04920	BUSHING	4	A160-002632	COVER,CYLINDER	2	C630-000230	SEAT, BACKPACK	28
156110-04920	BUSHING	6	A160-002930	COVER,CYLINDER	2	C630-000250	SEAT, BACKPACK	28
156114-07320	GROMMET	6	A172-002600	COVER,FAN	18	C644-000220	PAD, HARNESS	28
159011-03432	COIL, SPARK PLUG	6	A175-000331	STAND	14	C650-000000	ADJUSTER,STRAP	28
159116-21231	CLAMP	4	A200-000990	INSULATOR, INTAKE	10	C650-000010	ADJUSTER,STRAP	28
175016-54430	HUB, CLUTCH	8	A202-000270	BELLOWS, INTAKE	10	C650-000020	ADJUSTER,STRAP	28
177228-11120	GRIP, STARTER	18	A209-000720	PLATE, INSULATOR	10	C651-000070	BELT, HARNESS	28
178070-10860	SPACER	6	A209-000740	PLATE, INSULATOR	4	C652-000070	PAD, WAIST	28
178121-10850	BAND	22	A209-000840	PLATE, INSULATOR	10	C652-000080	PAD, WAIST	28
178121-43230	BAND	26	A225-000690	CASE,CLEANER	10	C652-000090	PAD, WAIST	28
351316-47532	BRACKET, HANDLE	22	A226-000361	ELEMENT, AIR FILTER	10	C653-000000	END,BELT	28
						P003-000310	VALVE THROTTLE	12

NUMERICAL PARTS INDEX

Part No	Part description	Page	Part No	Part description	Page	Part No	Part description	Page
P003-001790	VALVE, CHOKE	12	V107-000190	GASKET,FUEL CAP	14	V805-000140	BOLT, TORX 5	22
P003-001850	DIAPHRAGM, METERING	12	V151-000050	SHIELD	6	V805-000150	BOLT, TORX 5	6
P003-002270	NEEDLE	12	V186-000510	JOINT,PIPE	14	V805-000150	BOLT, TORX 5	18
P003-002380	SCREW	12	V253-000100	SCREW,5	10	V805-000150	BOLT, TORX 5	22
P003-005020	SHAFT ASM THROTTLE	12	V308-000100	WASHER,CIRCULAR 11	2	V805-000160	BOLT, TORX 5	8
P003-005120	SCREW	12	V358-000250	COLLAR,14	20	V805-000180	BOLT, TORX 5	4
P003-005450	PUMP COVER ASY	12	V376-001650	SPACER	8	V805-000210	BOLT, TORX 5	2
P003-005460	SWIVEL	12	V401-000630	CUSHION,5	8	V805-000260	BOLT, TORX 5	16
P003-005470	SHAFT ASY, CHOKE	12	V420-004860	CUSHION	14	V805-000300	BOLT, TORX 5	16
P021-012211	CAP,FUEL ASY	14	V423-000130	HOLDER,CUSHION	14	V805-000330	BOLT, TORX 5	10
P021-012721	SHIELD ASY	20	V430-004690	CABLE,BOWDEN	24	V805-000360	BOLT, TORX 5	8
P021-016360	COVER SET, CUTTER	26	V452-000060	SPRING,TORSION	24	V805-000410	BOLT, TORX 5	20
P021-041471	SWITCH,ON OFF ASY	24	V452-001370	SPRING,TORSION	6	V806-000050	BOLT, TORX 6	16
P021-047120	CRANK CASE SET	4	V452-001540	SPRING,TORSION	24	V835-000000	BOLT, TORX 5	2
P021-047231	PAD, WAIST ASY	28	V453-000100	SPRING,FLAT	8	V835-000000	BOLT, TORX 5	4
P021-047381	CLEANER LID ASY	10	V470-000841	PIPE	14	V835-000010	BOLT, TORX 5	10
P021-047390	BUCKLE, HARNESS SET	28	V471-000630	PIPE	14	V835-000030	BOLT, TORX 5	14
P021-050440	PISTON KIT	2	V471-000741	PIPE	4	V835-000030	BOLT, TORX 5	18
P022-004680	SPRING, SPIRAL	18	V471-001301	PIPE	10	V855-000000	BOLT, TORX 5	10
P022-023110	SCREW	18	V471-002311	PIPE	14	X040-000090	SAW SET, BUSH CUTTER	26
P022-023120	SPRING,DAMPER	18	V475-007540	TUBE	6	X502-000390	LABEL,ECHO	28
P022-033830	CAM	18	V475-007550	TUBE	6	X502-000900	LABEL,ECHO	18
P022-037560	ROPE, STARTER	18	V475-007720	TUBE	14	X524-001901	LABEL	2
P022-037670	STOPPER, ROPE	18	V475-008080	TUBE	4	X547-003850	LABEL,ECHO	2
P022-045770	GUIDE, ROPE	18	V475-008080	TUBE	6	X602-000020	TOOL,WRENCH	26
P022-060840	STARTER CASE	18	V485-002331	LEAD	6	X605-000170	TOOL,L WRENCH	26
P022-060860	DRUM, STARTER	18	V485-002570	LEAD	6	X606-000080	TOOL,BAR	26
P100-000100	CLUTCH SHOE SET	8	V490-000510	CLIP	14			
P100-003930	MAIN PIPE ASY	22	V490-001240	CLIP	14			
P100-003940	PIPE ASY	22	V491-000460	CLIP	14			
P100-005120	MUFFLER ASY	16	V491-000490	CLIP	28			
P100-006090	THROTTLE ASY	24	V495-001440	COVER BAND	6			
P100-012550	CASE,CLUTCH ASY	8	V541-000540	SEAL	16			
P100-012620	CASE ASY, GEAR	20	V556-000000	BEARING,NEEDLE 11	2			
P100-012630	BRACKET, HANDLE ASY	22	V609-000000	PIN,ENG 11	2			
P100-012640	HOOK ASY	22	V804-000010	BOLT, TORX 4	24			
P100-012720	DRUM, CLUTCH	8	V804-000030	BOLT, TORX 4	16			
P200-001380	ROTOR,MAGNETO KIT	6	V805-000060	BOLT, TORX 5	8			
V100-000790	GASKET,CYL	2	V805-000060	BOLT, TORX 5	20			
V102-000260	GASKET,CRANKCASE	4	V805-000060	BOLT, TORX 5	22			
V103-000500	GASKET,INTAKE	10	V805-000060	BOLT, TORX 5	24			
V103-001610	GASKET,INTAKE	10	V805-000070	BOLT, TORX 5	22			
V103-001620	GASKET,INTAKE	10	V805-000140	BOLT, TORX 5	6			
V104-002030	GASKET,EXHAUST	16	V805-000140	BOLT, TORX 5	8			
V104-002170	GASKET,EXHAUST	16	V805-000140	BOLT, TORX 5	20			