



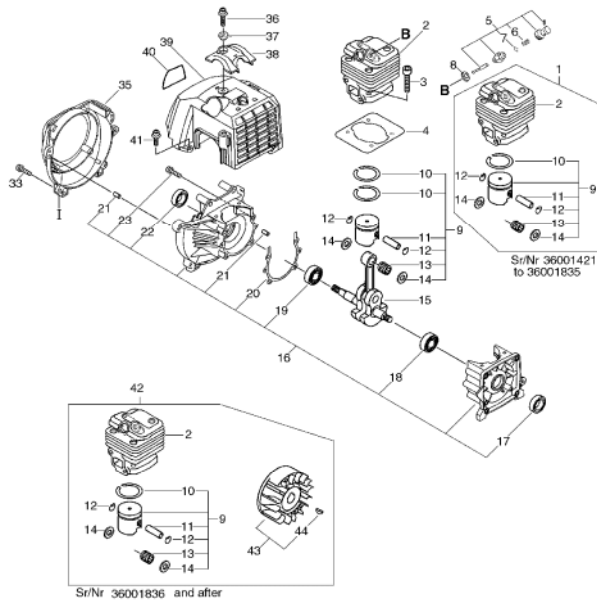
# **PARTS CATALOGUE**

## **CLEARING SAW CLS-5000,5010**

CLS-5000,5010

# 1. CYLINDER, PISTON, CRANKCASE

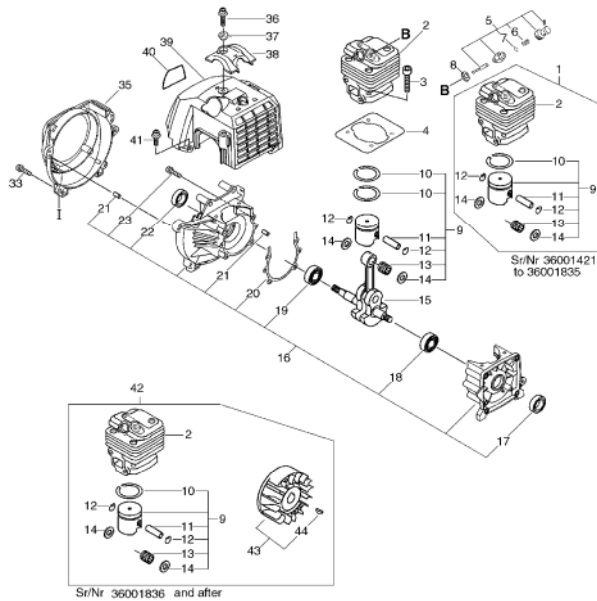
No.1



KEY	LV	PART NUMBER	Q'TY	DESCRIPTION	REMARKS	NOTE1	NOTE2
1		P021-009691	1	CYLINDER,PISTON KIT		Sus. by P021-009693	
1		P021-009692	1	CYLINDER,PISTON KIT		Sus. by P021-009693	
1		P021-009693	1	CYLINDER,PISTON KIT		Sr/Nr 36001421 to 36001835	
2	+	A130-000710	1	CYLINDER		Sus. by A130-000711	
2	+	A130-000711	1	CYLINDER			
9	+	P021-009681	1	PISTON KIT		Sus. by P021-009682	
9	+	P021-009682	1	PISTON KIT			
10	++	A101-000070	1	RING,PISTON			
11	++	V608-000000	1	PIN,ENG 10			
12	++	V580-000010	2	RING,END	φ0.8		
13	++	100012-12331	1	BEARING, NEEDLE			
14	++	V307-000060	2	WASHER,CIRCULAR 10			
42		P021-011170	1	PISTON,CYL,MAG KIT		Sr/Nr 36001836 and after	
2	+	A130-000810	1	CYLINDER		Sr/Nr 36001836 and after	
9	+	P021-011150	1	PISTON KIT		Sr/Nr 36001836 and after	
10	++	A101-000070	1	RING,PISTON		Sr/Nr 36001836 and after	

# 1. CYLINDER, PISTON, CRANKCASE

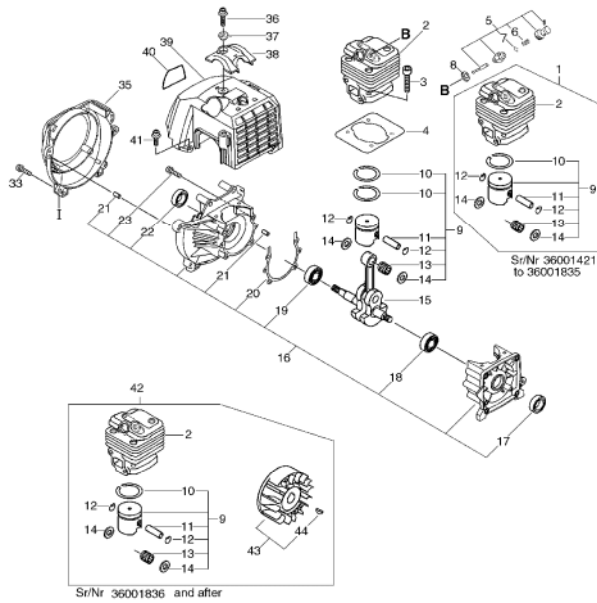
No.1



KEY	LV	PART NUMBER	Q'TY	DESCRIPTION	REMARKS	NOTE1	NOTE2
11	++	V608-000000	1	PIN,ENG 10		Sr/Nr 36001836 and after	
12	++	V580-000010	2	RING,END	φ0.8	Sr/Nr 36001836 and after	
13	++	1000121-2331	1	BEARING, NEEDLE		Sr/Nr 36001836 and after	
14	++	V307-000060	2	WASHER,CIRCULAR 10		Sr/Nr 36001836 and after	
43	+	P021-011160	1	ROTOR,MAGNETO KIT		Sr/Nr 36001836 and after	
44	++	900323-03014	1	KEY WOODRUFF	3*14	Sr/Nr 36001836 and after	
2		A130-000450	1	CYLINDER		Sus. by A130-000711	
2		A130-000451	1	CYLINDER		Sus. by A130-000711	
2		A130-000710	1	CYLINDER		Sus. by A130-000711	
2		A130-000711	1	CYLINDER		Sr/Nr 36001836 and after	
3		900162-05020	4	BOLT, H.S. 5*20	5*20 W,SW		
4		V100-000040	1	GASKET,CYL			
5		A014-000000	1	DECOMP,ASM			
6	+	101113-37530	1	SPRING			
7	+	P022-002110	1	CLIP			
8		159025-37530	1	GASKET			

# 1. CYLINDER, PISTON, CRANKCASE

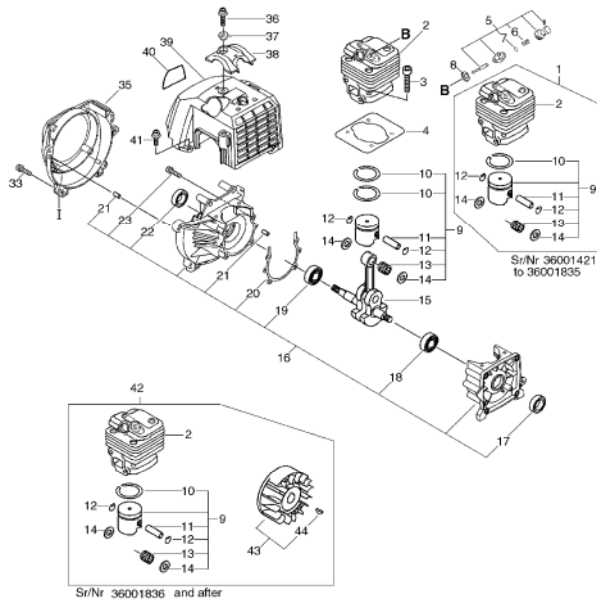
No.1



KEY	LV	PART NUMBER	Q'TY	DESCRIPTION	REMARKS	NOTE1	NOTE2
9		P021-005000	1	PISTON KIT		Sr/Nr 36001420 and before	
9		P021-005001	1	PISTON KIT		Sr/Nr 36001420 and before	
9		P021-009681	1	PISTON KIT		Sr/Nr 36001420 and before	
9		P021-009682	1	PISTON KIT		Sr/Nr 36001420 and before	
10	+	A101-000070	2	RING,PISTON		Sr/Nr 36001420 and before	
10	+	A101-000070	1	RING,PISTON		Can be used on P021-009681,-2 only	
11	+	V608-000000	1	PIN,ENG 10		Sr/Nr 36001420 and before	
12	+	100015-00120	2	CIRCLIP, PISTON PIN		Sr/Nr 36001420 and before	
12	+	V580-000010	2	RING,END	φ0.8	Sr/Nr 36001420 and before	
13	+	100012-12331	1	BEARING, NEEDLE		Sr/Nr 36001420 and before	
14	+	V307-000060	2	WASHER,CIRCULAR 10		Sr/Nr 36001420 and before	
15		A011-000120	1	CRANKSHAFT,ASM			
16		P021-002471	1	CRANKCASE SET			
17	+	100213-05530	1	OILSEAL	ISCD 12 22 7		

# 1. CYLINDER, PISTON, CRANKCASE

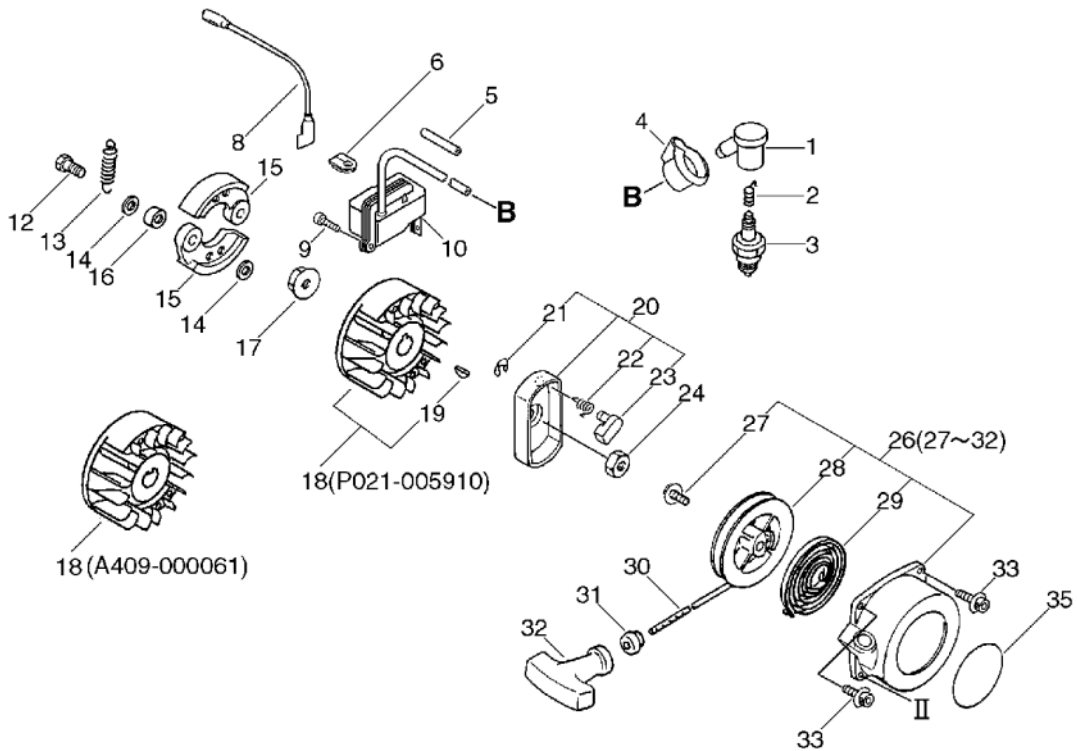
No.1



KEY	LV	PART NUMBER	Q'TY	DESCRIPTION	REMARKS	NOTE1	NOTE2
18	+	94035-36201	1	BEARING BALL	6201X3JR2C3		
19	+	900810-36202	1	BEARING, BALL 6202	6202/C3		
20	+	V102-000001	1	GASKET,CRANKCASE			
21	+	100215-03930	4	PIN, DOWEL			
22	+	100213-00310	1	OILSEAL	ISCD 15 25 7		
23	+	900162-05035	4	BOLT, H.S. 5*35	5*35 W,SW		
33		900162-05020	4	BOLT, H.S. 5*20	5*20 W,SW		
35		A172-000230	1	COVER,FAN			
36		900106-05020	1	BOLT, H.S. 5*20	5*20		
37		V353-000020	1	COLLAR,5	12*5.5*4.5L		
38		A162-000020	1	GUARD, TOP			
39		A160-000241	1	COVER,CYLINDER			
40		X503-002880	1	LABEL,MODEL			
41		900106-05012	1	BOLT, H.S. 5*12	5*12		

## 2. STARTER, MAGNETO, CLUTCH

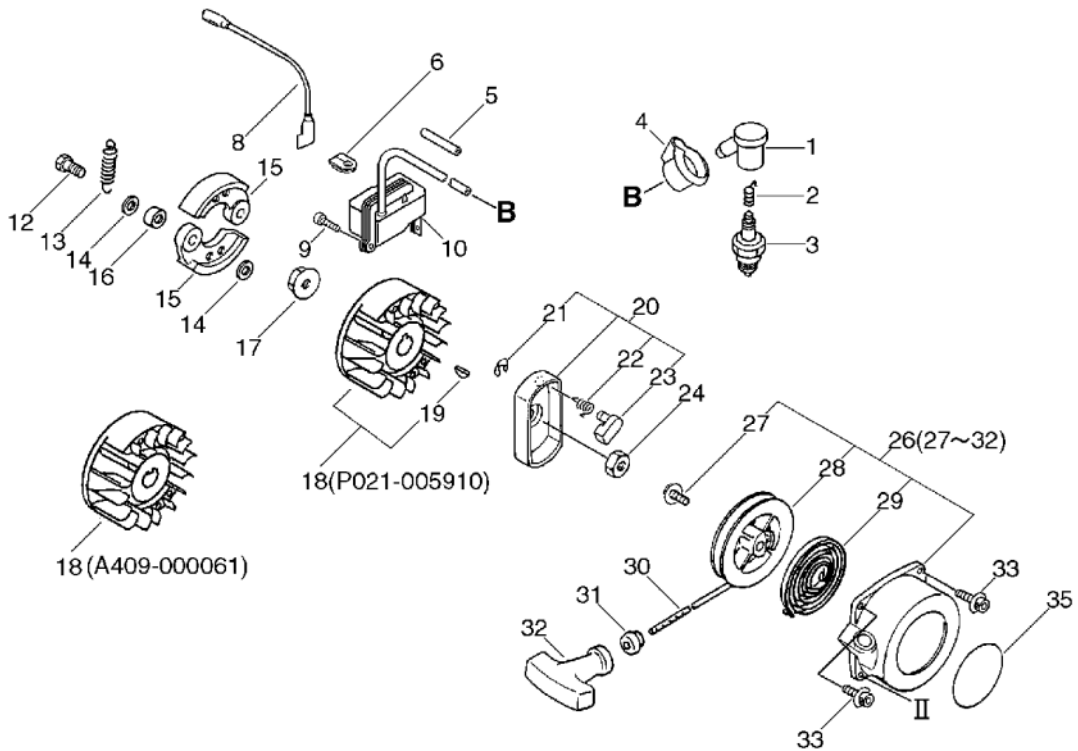
No.2



KEY	LV	PART NUMBER	Q'TY	DESCRIPTION	REMARKS	NOTE1	NOTE2
1		A427-000000	1	CAP, SPARK PLUG			
2		A426-000000	1	TERMINAL, SPARK PLUG			
3		159017-31730	1	PLUG, SPARK RCJ-6Y	RCJ-6Y		
4		V141-000020	1	GROMMET, PLUG			
5		V475-001610	1	TUBE	7*8.6*55 HST-10		
6		156114-04920	1	GROMMET			
8		162010-55630	1	LEAD, GROUND	170L		
9		900162-05020	2	BOLT, H.S. 5*20	5*20 W, SW		
10		A411-000050	1	COIL, IGNITION			
12		175046-54430	2	SHAFT, CLUTCH		Sr/Nr 36001490 and before	
13		V451-000390	1	SPRING, TENSION		Sr/Nr 36001490 and before	
14		175014-11231	4	WASHER, CLUTCH		Sr/Nr 36001490 and before	
15		175009-54430	2	SHOE, CLUTCH		Sr/Nr 36001490 and before	
16		175030-54430	2	METAL		Sr/Nr 36001490 and before	
11		P021-008190	1	CLUTCH ASY		Sr/Nr 36001491 and after	
12	+	A557-000000	2	SHAFT, CLUTCH		Can be used on P021-008190 only	

## 2. STARTER, MAGNETO, CLUTCH

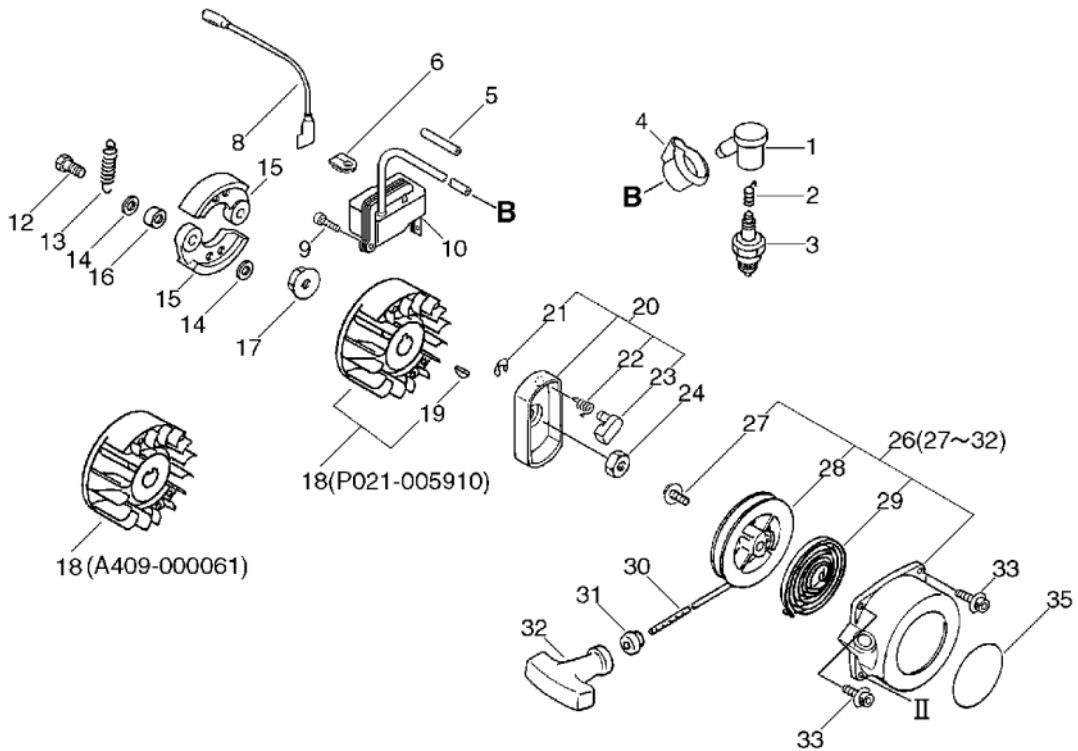
No.2



KEY	LV	PART NUMBER	Q'TY	DESCRIPTION	REMARKS	NOTE1	NOTE2
13	+	V451-000480	1	SPRING,TENSION		Can be used on P021-008190 only	
14	+	175048-03920	2	WASHER		Can be used on P021-008190 only	
15	+	A553-000040	2	ARM,CLUTCH		Can be used on P021-008190 only	
16	+	V453-000070	1	SPRING,FLAT		Can be used on P021-008190 only	
17		900519-00010	1	NUT, FLANGE 10	10*1.25		
18		A409-000061	1	ROTOR,MAGNETO		Sus. by P021-005911	
18		P021-005910	1	ROTOR,MAGNETO KIT		Sus. by P021-005911	
18		P021-005911	1	ROTOR,MAGNETO KIT		Sr/Nr 36001421 to 36001835	
19	+	900323-03014	1	KEY WOODRUFF	3*14	Sr/Nr 36001421 to 36001835	
20		A052-000010	1	PULLEY,ASM STARTER		Sus. by A052-000011	
20		A052-000011	1	PULLEY,ASM STARTER			

## 2. STARTER, MAGNETO, CLUTCH

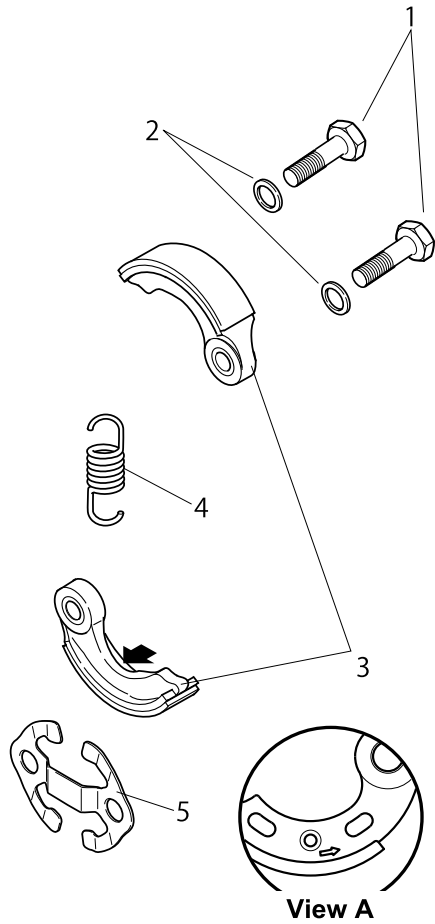
No.2



KEY	LV	PART NUMBER	Q'TY	DESCRIPTION	REMARKS	NOTE1	NOTE2
21	+	P022-002100	1	E-RING	4		
22	+	P022-002090	1	SPRING, RETURN	A0522160050		
23	+	177218-40630	1	PAWL, STARTER	WHITE		
24		900502-00008	1	NUT 8 (3N)	3N8		
26		A051-000070	1	STARTER, RECOIL			
27	+	177236-06910	1	SCREW			
28	+	P022-002080	1	DRUM, STARTER			
29	+	177220-06310	1	SPRING, REWIND			
30	+	177226-06310	1	ROPE, STARTER	3.8*1150		
31	+	177227-42030	1	GUIDE, ROPE			
32	+	177228-27030	1	GRIP, STARTER			
33		900106-05020	2	BOLT, H.S. 5*20	5*20		
35		890118-17930	1	LABEL, ECHO			



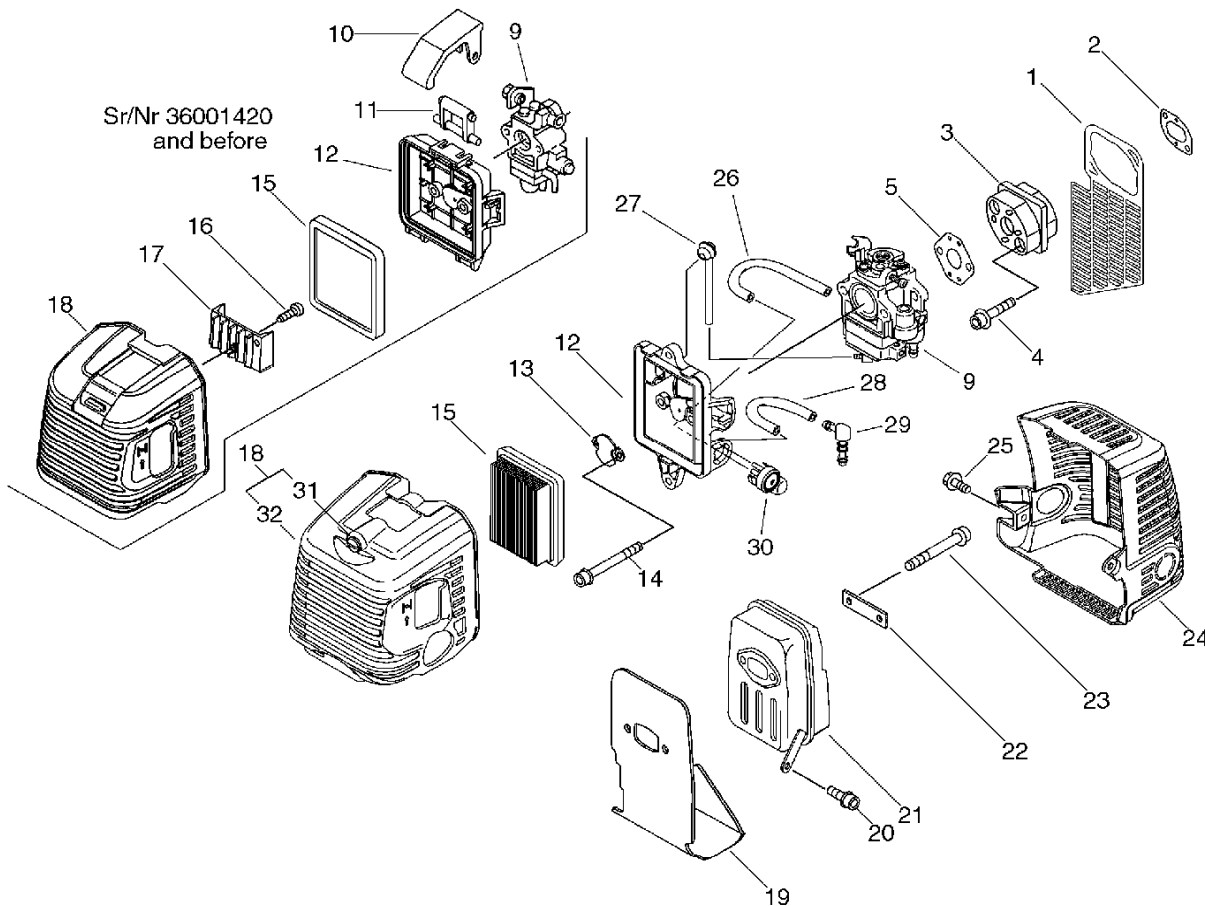
**2-1 Sr/Nr 36001491 and after. CLUTCH ASSEMBLY**



KEY	LV	PART NUMBER	Q'TY	DESCRIPTION	REMARKS	NOTE1	NOTE2
		P021-008190	1	CLUTCH ASY			
1	+	A557-000000	2	SHAFT,CLUTCH			
2	+	175048-03920	2	WASHER			
3	+	A553-000040	1	ARM,CLUTCH			
4	+	V451-000480	1	SPRING,TENSION			
5	+	V453-000070	1	SPRING,FLAT			

### 3. AIR CLEANER, MUFFLER

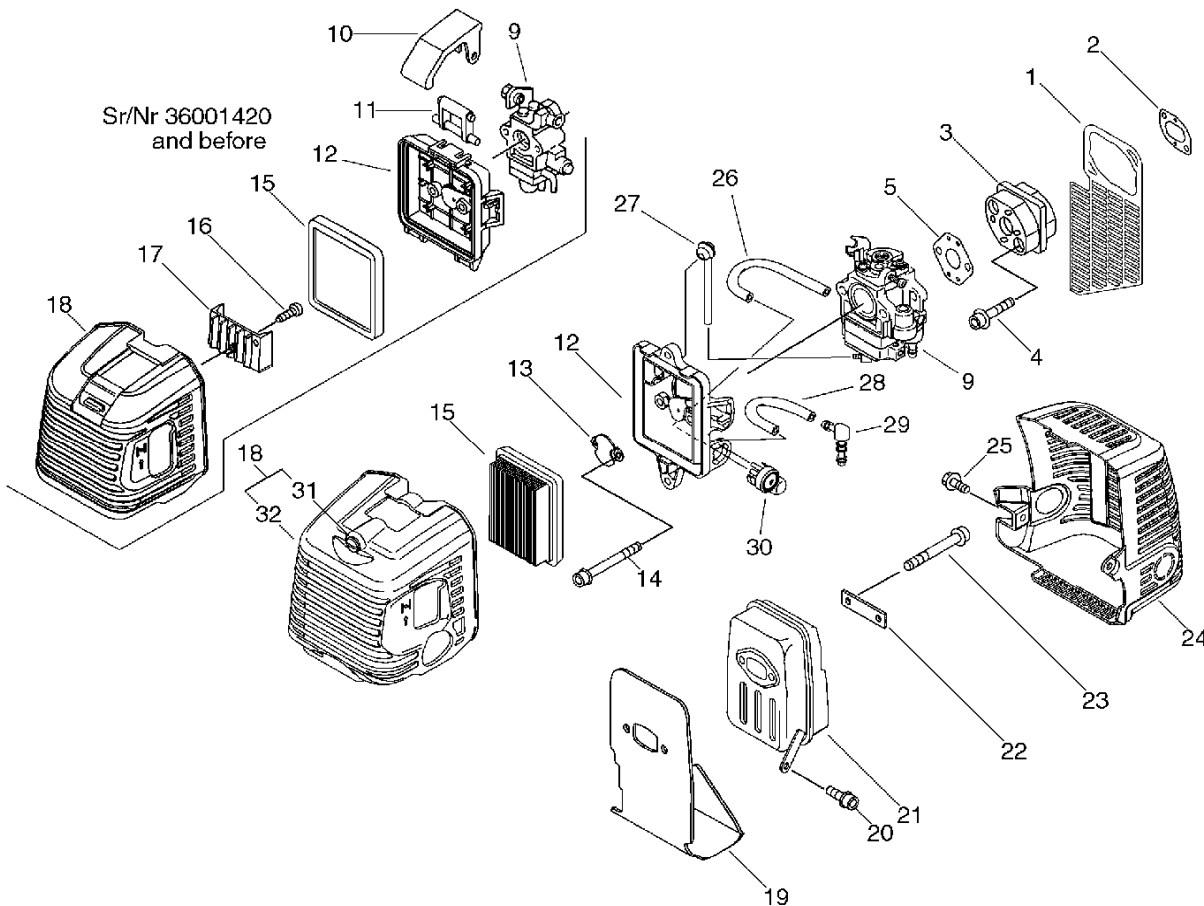
No.3



KEY	LV	PART NUMBER	Q'TY	DESCRIPTION	REMARKS	NOTE1	NOTE2
1		A128-000060	1	PLATE,DUST		Sr/Nr 36001001 and after	
2		V103-000070	1	GASKET,INTAKE			
3		A200-000060	1	INSULATOR,INTAKE			
4		900106-05025	2	BOLT, H.S. 5*25	5*25		
5		V103-000080	1	GASKET,INTAKE			
9		A021-000570	1	CARBURETOR,DIAPHRAGM	WYK-172	Sus. by A021-001030	
9		A021-001030	1	CARBURETOR,DIAPHRAGM	WYK-216	Sr/Nr 36001420 and before	
9		A021-001160	1	CARBURETOR,DIAPHRAGM	WYK-227	Sr/Nr 36001421 and after	
10		A235-000060	1	KNOB,CLEANER LID		Sr/Nr 36001420 and before	
11		J485-000030	1	HINGE		Sr/Nr 36001420 and before	
12		P021-002491	1	CASE, AIR CLEANER		Sr/Nr 36001420 and before	
12		P021-009590	1	CASE, AIR CLEANER		Sr/Nr 36001421 and after	
13		A244-000010	1	PLATE,PREVENT			
14		900105-05055	2	BOLT, H.S. 5*55	5*55		
15		A226-000080	1	ELEMENT,AIR FILTER		Sus. by A226-000220	
15		A226-000220	1	ELEMENT,AIR FILTER			

### 3. AIR CLEANER, MUFFLER

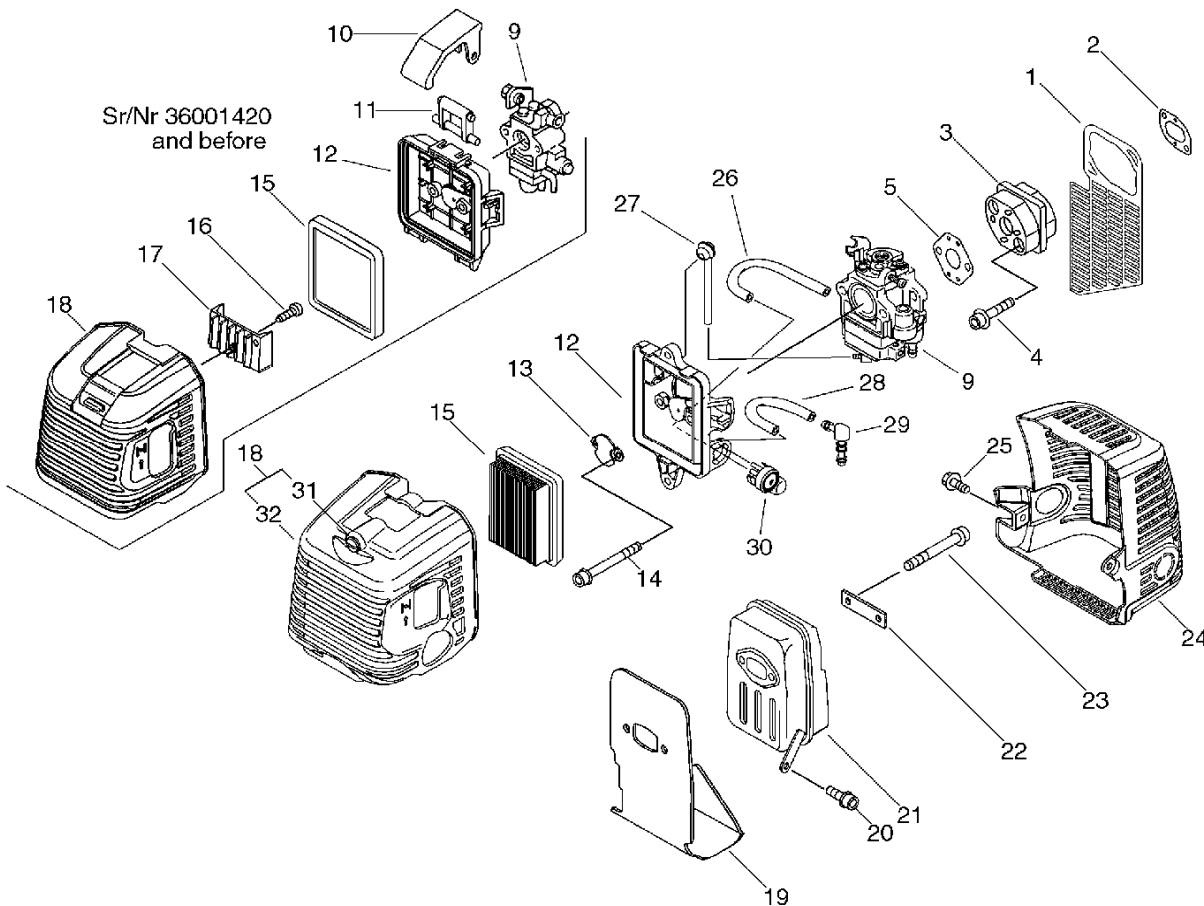
No.3



KEY	LV	PART NUMBER	Q'TY	DESCRIPTION	REMARKS	NOTE1	NOTE2
15		A226-000320	1	ELEMENT, AIR FILTER		Sr/Nr 36001421 and after	
16		900253-04008	1	SCREW 4*8	4*8	Sr/Nr 36001420 and before	
17		A323-000000	1	PIECE,COVER		Sr/Nr 36001420 and before	
18		A232-000090	1	LID,CLEANER		Sus. by A232-000300	
18		A232-000091	1	LID,CLEANER		Sus. by A232-000300	
18		A232-000300	1	LID,CLEANER		Sr/Nr 36001420 and before	
18		P021-009600	1	LID,CLEANER ASY		Sr/Nr 36001421 and after	
31	+	V253-000100	2	SCREW,5	5*20	Can be used on P021-009600 only	
32	+	A232-000320	1	LID,CLEANER		Can be used on P021-009600 only	
19		V104-000210	1	GASKET,EXHAUST			
20		900162-05012	1	BOLT, H.S. 5*12	5*12 W,SW		
21		A300-000190	1	MUFFLER,EXHAUST	T0.6	Sr/Nr 35002025 and before	
21		P021-008900	1	MUFFLER ASY		Sr/Nr 36001001 and after	

### 3. AIR CLEANER, MUFFLER

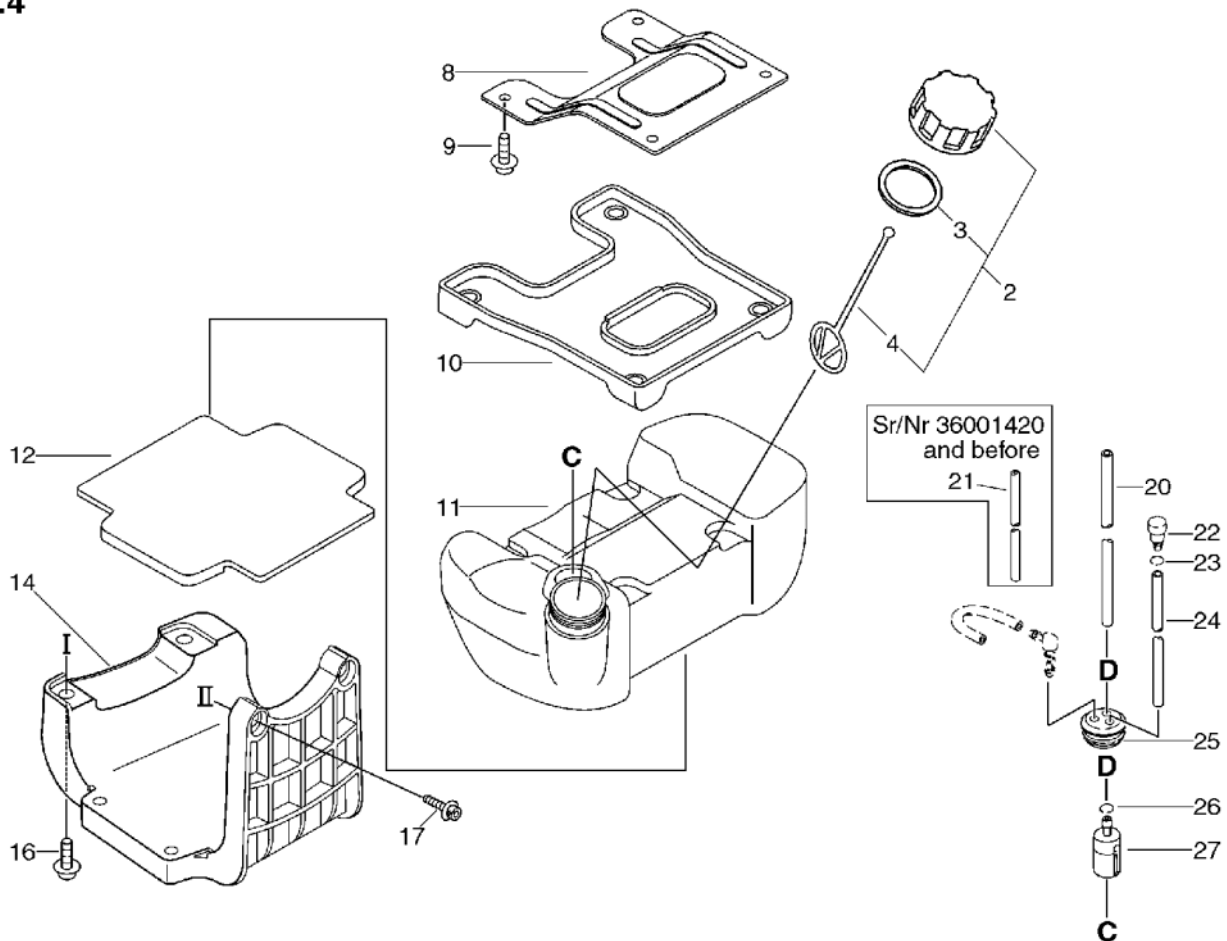
No.3



KEY	LV	PART NUMBER	Q'TY	DESCRIPTION	REMARKS	NOTE1	NOTE2
22		V150-000550	1	PLATE,EYE			
23		900105-06060	2	BOLT, H.S. 6*60	6*60		
24		A320-000080	1	COVER,MUFFLER			
25		900106-05012	1	BOLT, H.S. 5*12	5*12		
26		V471-001560	1	PIPE	2.4*5*80	Sr/Nr 36001421 and after	
27		132012-39330	1	PIPE, W/GROMMET	L105 NBR	Sr/Nr 36001421 and after	
28		437215-20760	1	PIPE 3*6*60	3*6*60 YL	Sr/Nr 36001421 and after	
29		V186-000120	1	JOINT,PIPE	5.4	Sr/Nr 36001421 and after	
30		123181-39130	1	PUMP, PRIMER		Sr/Nr 36001421 and after	

# 4. FUEL TANK

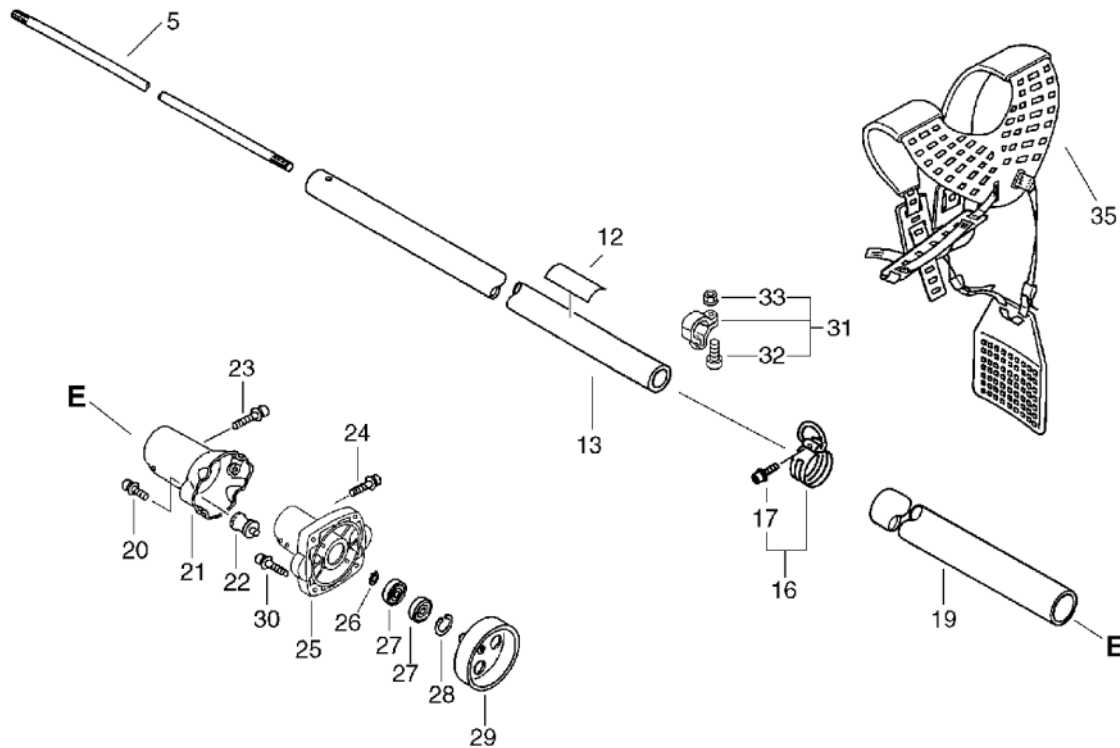
No.4



KEY	LV	PART NUMBER	Q'TY	DESCRIPTION	REMARKS	NOTE1	NOTE2
2		131004-55530	1	CAP ASSY, FUEL TANK			
3	+	131016-55830	1	GASKET, FUEL CAP			
4	+	131051-56030	1	CLIP, FUEL CAP	100L		
8		A393-000030	1	BRACKET, FUEL TANK			
9		900106-05012	4	BOLT, H.S. 5*12	5*12		
10		A390-000000	1	SEAT, FUEL TANK			
11		A350-000130	1	TANK, FUEL	HB330	Sus. by A350-000131	
11		A350-000131	1	TANK, FUEL			
12		A390-000010	1	SEAT, FUEL TANK			
14		A393-000050	1	BRACKET, FUEL TANK			
16		900106-05020	2	BOLT, H.S. 5*20	5*20		
17		900106-05025	2	BOLT, H.S. 5*25	5*25		
20		132010-53630	1	PIPE	3*6*180 NBR		
21		437215-20760	1	PIPE 3*6*60	3*6*60 YL	Sr/Nr 36001420 and before	
22		131300-56430	1	VALVE, CHECK			
23		132013-26630	1	CLIP	6.5MM		
24		132012-02960	1	PIPE, FUEL	3*6*120L		
25		132115-55930	1	GROMMET, FUEL			
26		132013-26630	1	CLIP	6.5MM		
27		131205-19830	1	STRAINER, FUEL			

5. MAIN PIPE

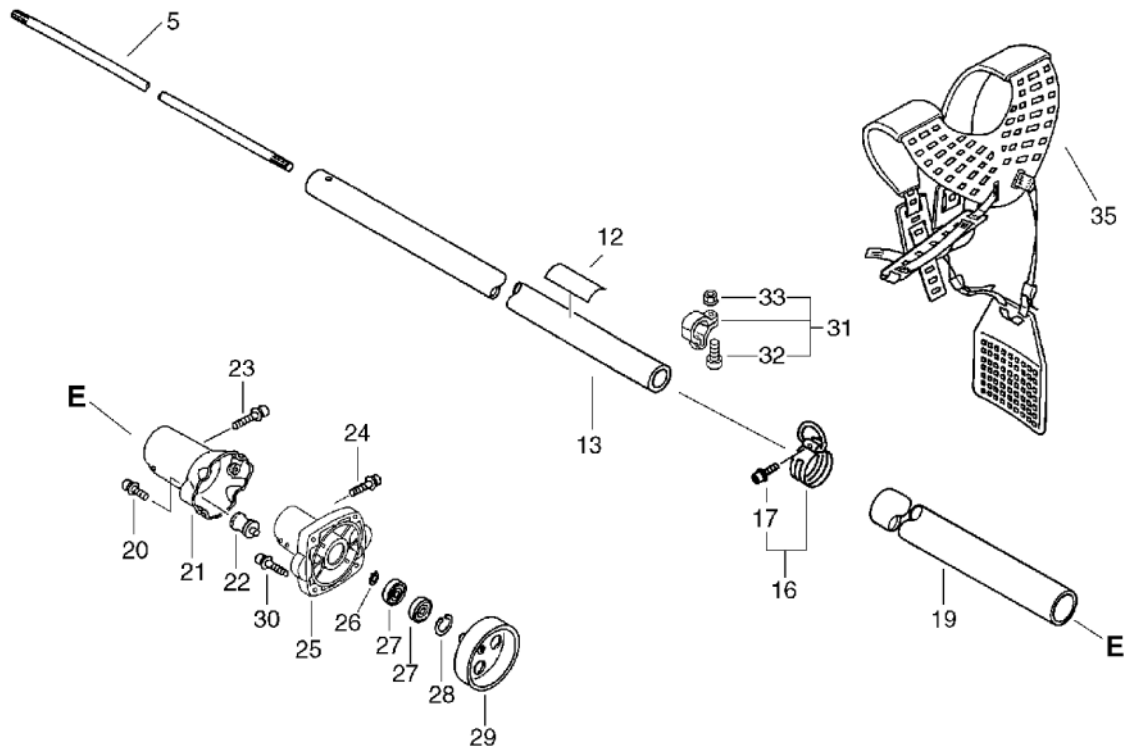
No.5



KEY	LV	PART NUMBER	Q'TY	DESCRIPTION	REMARKS	NOTE1	NOTE2
5		610011-47530	1	SHAFT, DRIVE		CLS-5000	
5		610011-51530	1	SHAFT, DRIVE		CLS-5010	
12		890617-43130	1	LABEL, CAUTION			
13		610206-47531	1	HOUSING ASSY, D.SHFT		CLS-5000	
13		610206-51531	1	HOUSING ASSY, D.SHFT		CLS-5010	
16		301205-47531	1	HOOK			
17	+	900162-05020	1	BOLT, H.S. 5*20	5*20 W,SW		
19		610258-47530	1	SWIVEL, D.S.HOUS		CLS-5000	
19		610258-51530	1	HOUSING, DRV. SFAFT		CLS-5010	
20		900162-05014	2	BOLT, H.S. 5*14	5*14 W,SW		
21		A575-000030	1	FIXTURE, MAIN PIPE			
22		100905-51530	2	CUSHION			
23		900162-05035	1	BOLT, H.S. 5*35	5*35 W,SW		
24		900162-05030	2	BOLT, H.S. 5*30	5*30 W,SW		
25		A570-000040	1	CASE, CLUTCH			
26		900701-00015	1	CIRCLIP 15	CS-15		
27		900819-06202	2	BEARING, BALL 6202	6202VV(LLB)		
28		900702-00035	1	CIRCLIP 35	CR-35		
29		A556-000190	1	DRUM, CLUTCH		Sus. by A556-000290	
29		A556-000290	1	DRUM, CLUTCH			
30		900162-05025	4	BOLT, H.S. 5*25	5*25 W,SW	Sus. by 900162-05020	
30		900162-05020	4	BOLT, H.S. 5*20	5*20 W,SW		
31		P021-004830	2	HOOK ASY			
32	+	900162-05022	2	BOLT, H.S. 5*22	5*22 W,SW		

**5. MAIN PIPE**

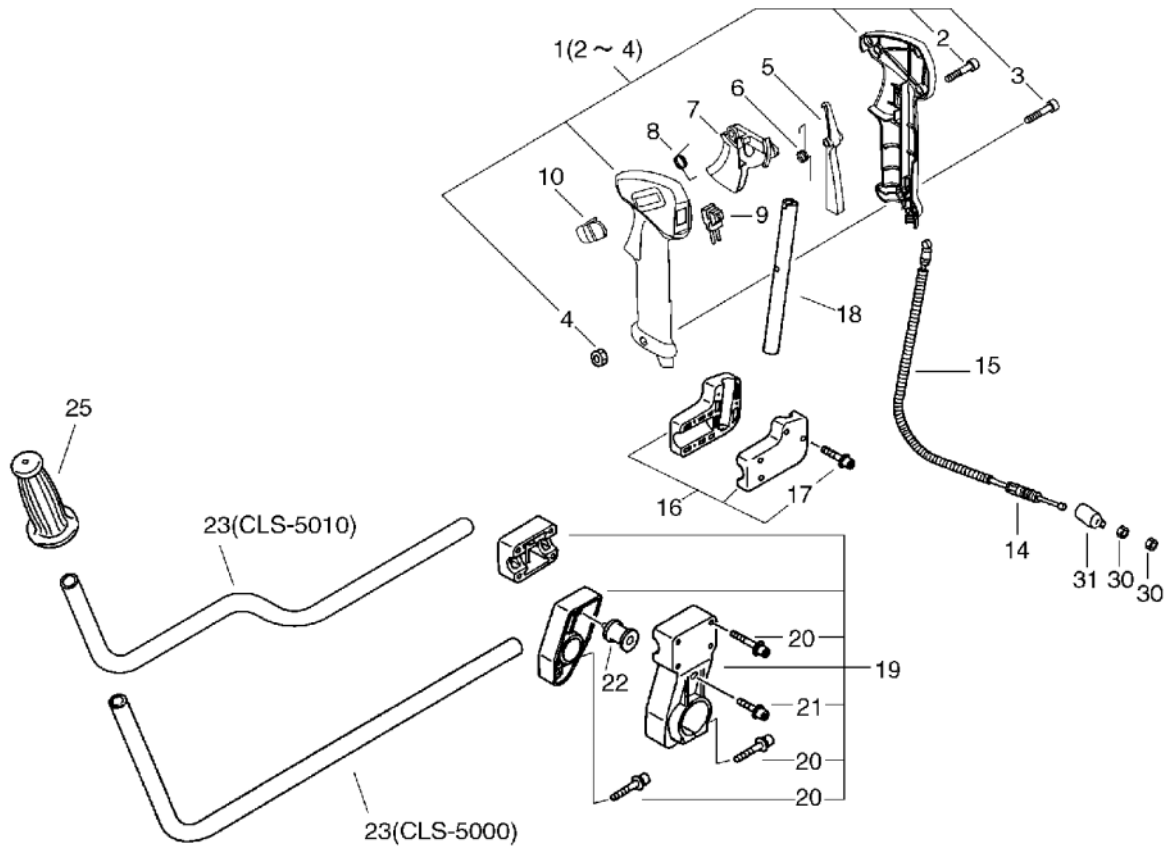
No.5



KEY	LV	PART NUMBER	Q'TY	DESCRIPTION	REMARKS	NOTE1	NOTE2
33	+	900516-00005	2	NUT, FRANGE 5	5		
35		301000-51530	1	HARNESS, SHOULDER			

6. HANDLE

No.6

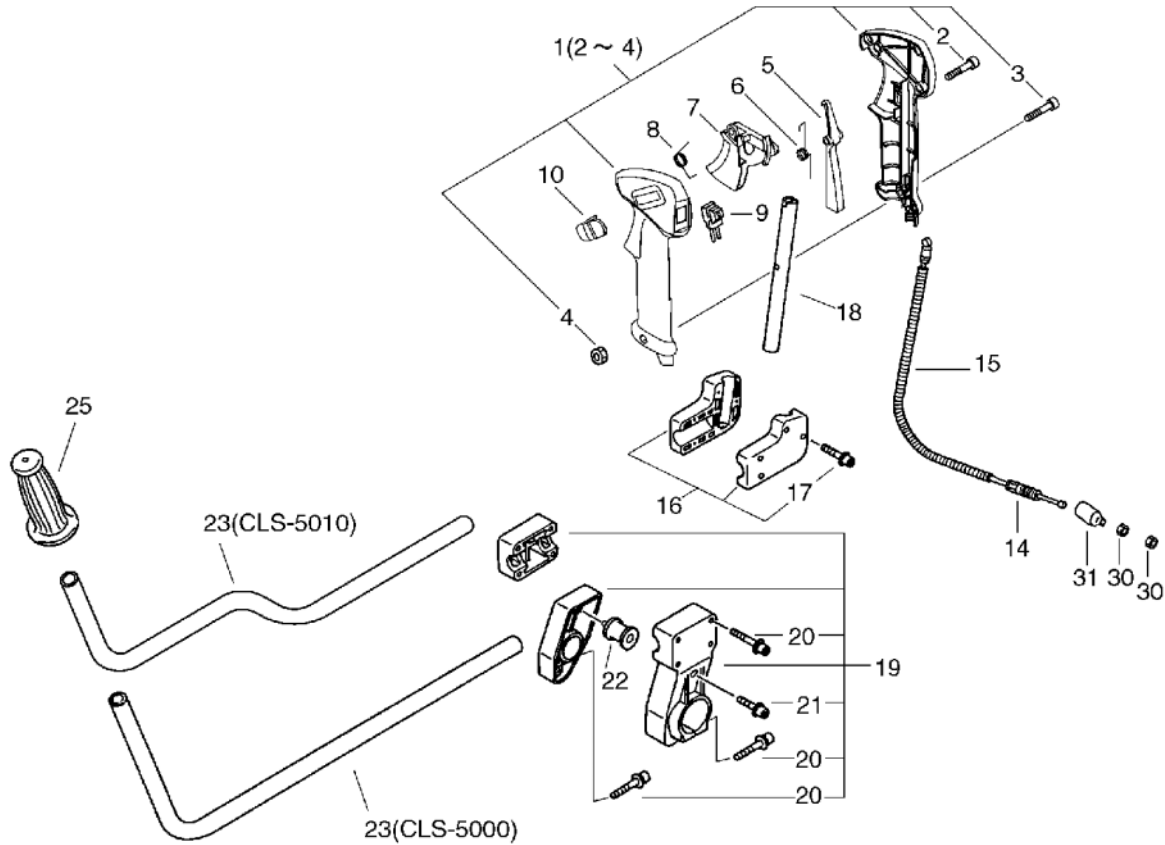


KEY	LV	PART NUMBER	Q'TY	DESCRIPTION	REMARKS	NOTE1	NOTE2
1		P021-002610	1	GRIP ASY,F-HANDLE		Sus. by P021-002612	
1		P021-002611	1	GRIP ASY,F-HANDLE		Sus. by P021-002612	
1		P021-002612	1	GRIP ASY,F-HANDLE			
2	+	900253-04016	3	SCREW 4*16	4*16		
3	+	900220-05030	1	SCREW 5*30	5*30		
4	+	900500-00005	1	NUT 5	5		
5		C460-000010	1	LOCKOUT,THROTTLE		Sr/Nr 35001350 and before	
5		C460-000011	1	LOCKOUT,THROTTLE		Sr/Nr 35001351 and after	
6		V452-000050	1	SPRING,TORSION		Sr/Nr 35001350 and before	
6		V452-000130	1	SPRING,TORSION		Sr/Nr 35001351 and after	
7		C450-000020	1	TRIGGER,THROTTLE		Sus. by C450-000022	
7		C450-000021	1	TRIGGER,THROTTLE		Sus. by C450-000022	
7		C450-000022	1	TRIGGER,THROTTLE			
8		V452-000060	1	SPRING,TORSION			
9		A440-000240	1	SWITCH,ON OFF			
10		C463-000000	1	KNOB,LATCH		Sr/Nr 35001351 and after	



6. HANDLE

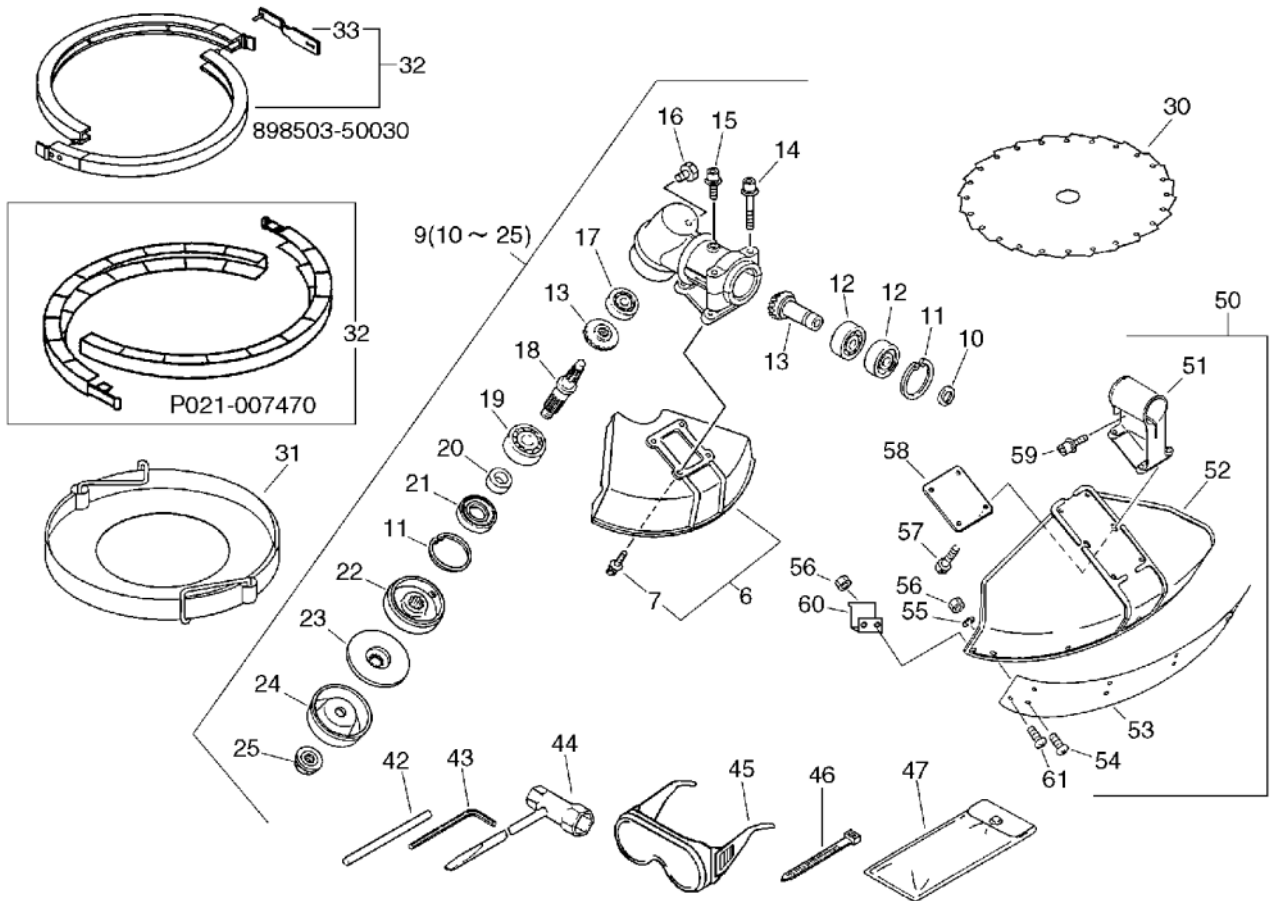
No.6



KEY	LV	PART NUMBER	Q'TY	DESCRIPTION	REMARKS	NOTE1	NOTE2
14		V430-000390	1	CABLE,BOWDEN		Sus. by V430-000960	
14		V430-000960	1	CABLE,BOWDEN			
15		178127-43230	1	TUBE	7*820		
16		351302-47530	1	BRACKET, HANDLE			
17	+	900162-05025	4	BOLT, H.S. 5*25	5*25 W,SW		
18		351210-47530	1	HANDLE, REAR			
19		351301-47531	1	BRACKET, HANDLE		Sus. by 351301-47533	
19		351301-47532	1	BRACKET ASY, HANDLE		Sus. by 351301-47533	
19		351301-47533	1	BRACKET ASY, HANDLE			
21	+	900162-05014	2	BOLT, H.S. 5*14	5*14 W,SW		
22		100905-51530	2	CUSHION			
23		351110-47530	1	HANDLE, FRONT		CLS-5000	
23		C400-000150	1	HANDLE, FRONT		CLS-5010	
25		351213-47530	1	GRIP		Sus. by 351213-47531	
25		351213-47531	1	GRIP, HANDLE			
30		900502-00006	2	NUT 6 (3N)	3N6		
31		V494-000080	1	CAP		Sr/Nr 35008916 and after/CLS-5000	

7. GEAR CASE, SHIELD, BLADE

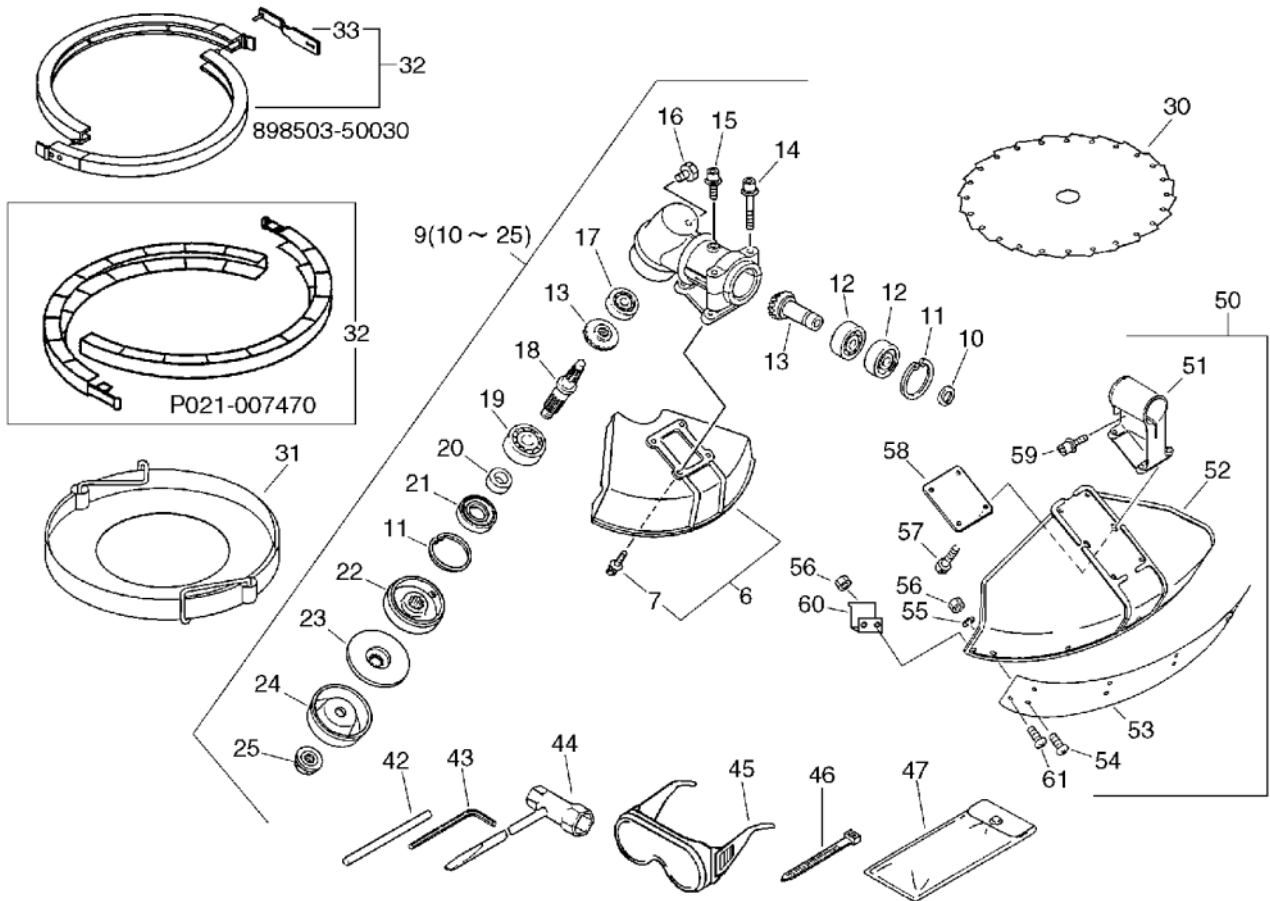
No.7



KEY	LV	PART NUMBER	Q'TY	DESCRIPTION	REMARKS	NOTE1	NOTE2
6		699000-47530	1	SHIELD ASSY		CLS-5000 Sus. by 699000-47531	
6		699000-47531	1	SHIELD ASY		CLS-5000	
7	+	900162-05020	4	BOLT, H.S. 5*20	5*20 W,SW	CLS-5000	
9		P021-004760	1	HOUSING ASY,GEAR		Sus. by P021-004762	
9		P021-004761	1	HOUSING ASY,GEAR		Sus. by P021-004762	
9		P021-004762	1	HOUSING ASY,GEAR			
10	+	900701-00015	1	CIRCLIP 15	CS-15		
11	+	900702-00035	2	CIRCLIP 35	CR-35		
12	+	900810-06202	2	BEARING, BALL 6202	6202		
13	+	610300-47530	1	GEAR SET			
14	+	900162-05035	2	BOLT, H.S. 5*35	5*35 W,SW		
15	+	900162-05014	1	BOLT, H.S. 5*14	5*14 W,SW		
16	+	610434-50031	1	BOLT 8* 8	M8*8		
17	+	900800-06001	1	BEARING, BALL 6001	6001		
18	+	610310-51530	1	SHAFT, P.T.O.			
19	+	900813-06202	1	BEARING, BALL 6202Z	6202Z		
20	+	610334-06230	1	SPACER, OILSEAL			
21	+	610413-47530	1	OILSEAL IS 20 35 7			
22	+	C535-000050	1	FIXTURE, BLADE			
23	+	C535-000060	1	FIXTURE, BLADE			
24	+	610352-47530	1	PLATE, CUP			
25	+	610320-47530	1	NUT, LOCK			

# 7. GEAR CASE, SHIELD, BLADE

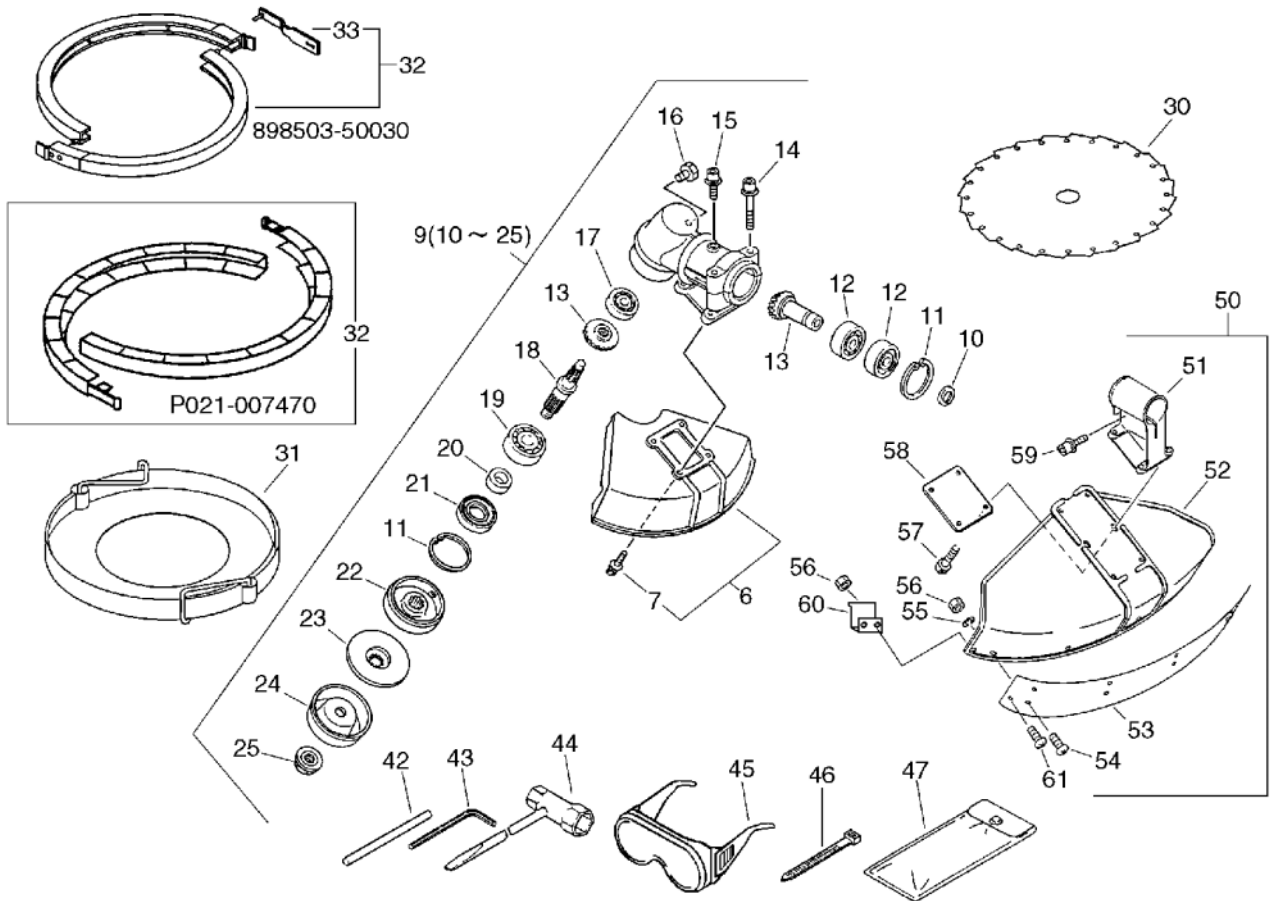
No.7



KEY	LV	PART NUMBER	Q'TY	DESCRIPTION	REMARKS	NOTE1	NOTE2
30		695001-51530	1	SAW, EIA200-20		CLS-5000	
31		898503-08030	1	COVER SET, CUTTER		Sus. by 898503-08031	
31		898503-08031	1	COVER SET, CUTTER	8INC (ORANGE)	CLS-5000	
32		898503-50030	1	SCABBARD KIT, BLADE		Sus. by P021-007470	
32		P021-007470	1	SCABBARD, BLADE		CLS-5010	
33	+	898562-43230	1	FIXTURE, SCABBARD		Can be used on 898503-50030 only	
42		897518-01131	1	LOCKING TOOL			
43		895610-00130	1	L-WRENCH (4MM)			
44		895410-08030	1	WRENCH, W/S. DRIVER		Sus. by X602-000020	
44		X602-000020	1	TOOL, WRENCH	17*19 L200		
45		899580-68730	1	SAFETY GLASSES		Sus. by P021-002861	
45		X690-000030	1	GOGGLE		Sus. by P021-002861	
45		P021-002861	1	GOGGLES			
46		178121-43230	1	BAND	CV-150 BL		
47		898510-39130	1	BAG, TOOL			
50		699000-54530	1	SHIELD ASSY		CLS-5010	
51	+	699011-51530	1	BRACKET, SHIELD		CLS-5010	
52	+	699010-54430	1	SHIELD, BLADE		CLS-5010	

# 7. GEAR CASE, SHIELD, BLADE

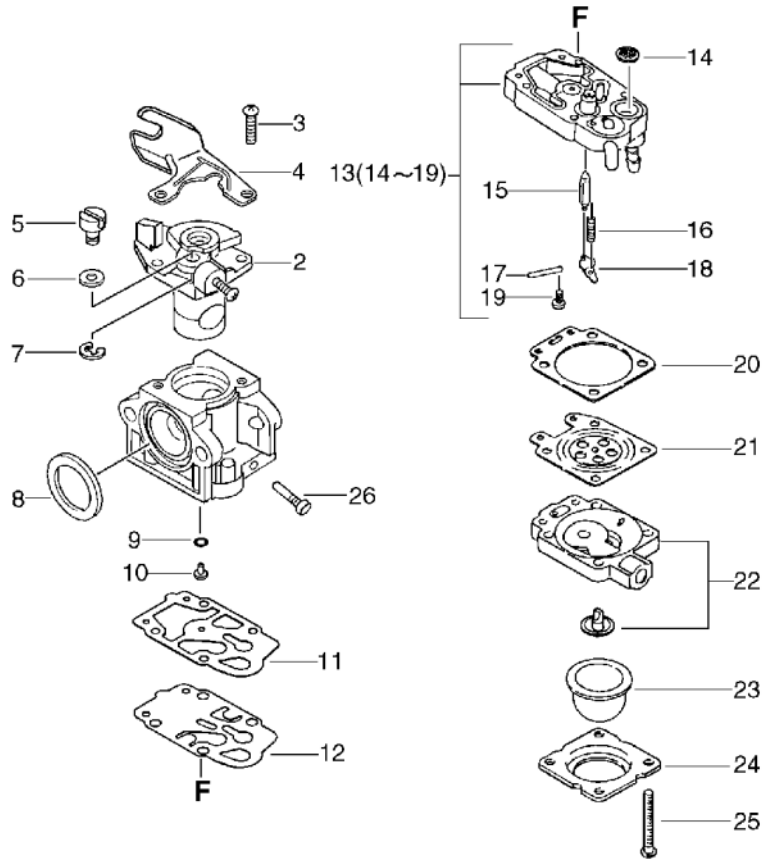
No.7



KEY	LV	PART NUMBER	Q'TY	DESCRIPTION	REMARKS	NOTE1	NOTE2
53	+	699013-52130	1	PLATE, SHIELD		CLS-5010	
54	+	900162-05014	4	BOLT, H.S. 5*14	5*14 W,SW	CLS-5010	
55	+	900603-00005	4	WASHER 5	5.5*12*0.8	CLS-5010	
56	+	900500-00005	6	NUT 5	5	CLS-5010	
57	+	900162-05018	4	BOLT, H.S. 5*18	5*18 W,SW	CLS-5010	
58	+	699015-52130	1	PLATE, SHIELD		CLS-5010	
59	+	900162-05025	2	BOLT, H.S. 5*25	5*25 W,SW	CLS-5010	
60	+	699016-54530	1	KNIFE		CLS-5010	
61	+	900162-05012	2	BOLT, H.S. 5*12	5*12 W,SW	CLS-5010	

8-1 Sr/Nr 36001420 and before. CARBURETOR

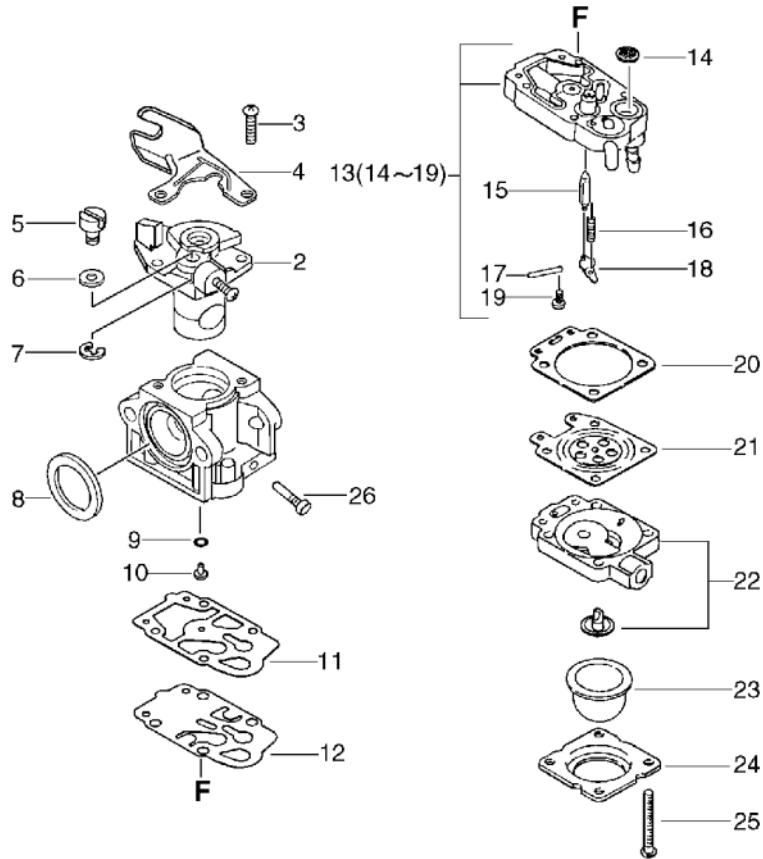
No.8



KEY	LV	PART NUMBER	Q'TY	DESCRIPTION	REMARKS	NOTE1	NOTE2
		A021-000570	1	CARBURETOR,DIAPHRAGM	WYK-172	Sus. by A021-001030	
		A021-001030	1	CARBURETOR,DIAPHRAGM	WYK-216	Sr/Nr 36001420 and before	
2	+	P003-000900	1	VALVE, THROTTLE		Can be used on A021-000570 only	
3	+	123114-40630	2	SCREW			
4	+	P003-000180	1	BRACKET CABLE			
5	+	123172-45130	1	SWIVEL			
6	+	123149-54230	1	WASHER			
7	+	123173-07930	1	CLIP			
8	+	123143-12110	1	RING, PACKING			
9	+	123183-40630	1	O-RING		Can be used on A021-000570 only	
10	+	P003-000980	1	JET		Can be used on A021-000570 only	
11	+	123125-40630	1	GASKET, PUMP		Can be used on A021-000570 only	
11	+	P003-000100	1	GASKET, PUMP		Can be used on A021-001030 only	
12	+	123112-40630	1	DIAPHRAGM, PUMP			

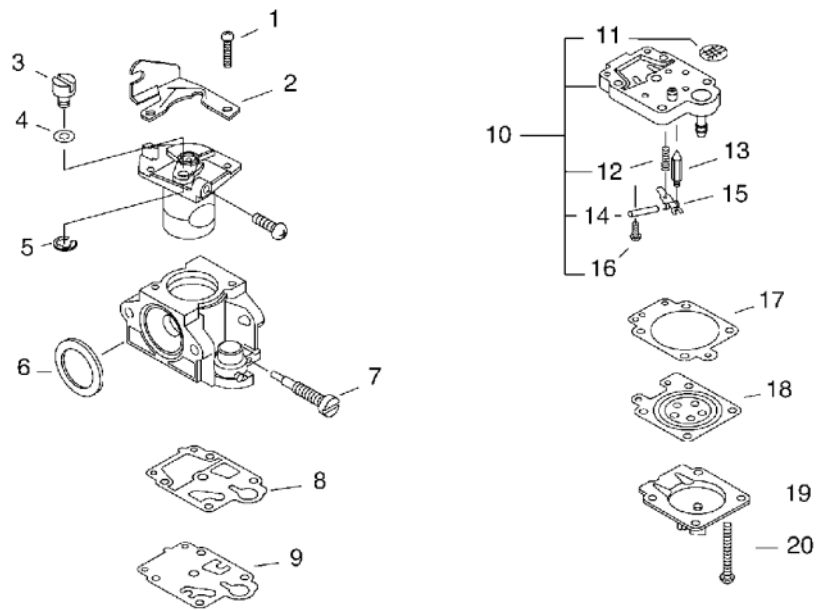
8-1 Sr/Nr 36001420 and before. CARBURETOR

No.8



KEY	LV	PART NUMBER	Q'TY	DESCRIPTION	REMARKS	NOTE1	NOTE2
13	+	P003-000510	1	BODY ASSEMBLY, PUMP			
14	++	123126-10631	1	SCREEN, INLET			
15	++	123137-19830	1	VALVE, INLET NEEDLE			
16	++	123122-05560	1	SPRING, METER. LEVER			
17	++	123138-03930	1	PIN, METERING LEVER			
18	++	123123-03930	1	LEVER, METERING			
19	++	123139-05560	1	SCREW, M. LEVER PIN			
20	+	123140-05560	1	GASKET, M. DIAPHRAGM			
21	+	P003-000090	1	METERING, DIAPHRAGM			
22	+	123180-05560	1	BODY, AIR PURGE			
23	+	123181-40630	1	PUMP, PRIMER			
24	+	123142-05560	1	COVER, PRIMER PUMP			
25	+	123110-05560	4	SCREW, PUMP COVER			
26	+	P003-001130	1	NEEDLE, HIGH SPEED		Can be used on A021-001030 only	

8-2 Sr/Nr 3600142 and after. CARBURETOR



KEY	LV	PART NUMBER	Q'TY	DESCRIPTION	REMARKS	NOTE1	NOTE2
		A021-001160	1	CARBURETOR,DIAPHRAGM	WYK-227		
1	+	123114-40630	2	SCREW			
2	+	P003-000180	1	BRACKET CABLE			
3	+	123172-45130	1	SWIVEL			
4	+	123149-54230	1	WASHER			
5	+	123173-07930	1	CLIP			
6	+	123143-12110	1	RING, PACKING			
7	+	P003-001130	1	NEEDLE, HIGH SPEED			
8	+	P003-000100	1	GASKET, PUMP			
9	+	123112-40630	1	DIAPHRAGM, PUMP			
10	+	P003-001490	1	BODY ASSEMBLY, PUMP			
11	++	123126-10631	1	SCREEN, INLET			
12	++	123122-05560	1	SPRING, METER. LEVER			
13	++	123137-19830	1	VALVE, INLET NEEDLE			
14	++	123138-03930	1	PIN, METERING LEVER			
15	++	123123-03930	1	LEVER, METERING			
16	++	123139-05560	1	SCREW, M. LEVER PIN			
17	+	123140-27230	1	GASKET,M. DIAPHRAGM			
18	+	P003-000090	1	METERING, DIAPHRAGM			
19	+	P003-001500	1	COVER, PRIMER PUMP			
20	+	123144-44330	4	SCREW			

**Index**

<b>Patrs Number</b>	<b>Key No.</b>	<b>Patrs Number</b>	<b>Key No.</b>	<b>Patrs Number</b>	<b>Key No.</b>
1000121-2331	1 - 13	132010-53630	4 - 20	695001-51530	7 - 30
100012-12331	1 - 13	132012-02960	4 - 24	699000-47530	7 - 6
100012-12331	1 - 13	132012-39330	3 - 27	699000-47531	7 - 6
100015-00120	1 - 12	132013-26630	4 - 23	699000-54530	7 - 50
100213-00310	1 - 22	132013-26630	4 - 26	699010-54430	7 - 52
100213-05530	1 - 17	132115-55930	4 - 25	699011-51530	7 - 51
100215-03930	1 - 21	156114-04920	2 - 6	699013-52130	7 - 53
100905-51530	5 - 22	159017-31730	2 - 3	699015-52130	7 - 58
100905-51530	6 - 22	159025-37530	1 - 8	699016-54530	7 - 60
101113-37530	1 - 6	162010-55630	2 - 8	890118-17930	2 - 35
123110-05560	fore - 25	175009-54430	2 - 15	890617-43130	5 - 12
123112-40630	fore - 12	175014-11231	2 - 14	895410-08030	7 - 44
123112-40630	ifter - 9	175030-54430	2 - 16	895610-00130	7 - 43
123114-40630	fore - 3	175046-54430	2 - 12	897518-01131	7 - 42
123114-40630	ifter - 1	175048-03920	2 - 14	898503-08030	7 - 31
123122-05560	fore - 16	175048-03920	ifter - 2	898503-08031	7 - 31
123122-05560	ifter - 12	177218-40630	2 - 23	898503-50030	7 - 32
123123-03930	fore - 18	177220-06310	2 - 29	898510-39130	7 - 47
123123-03930	ifter - 15	177226-06310	2 - 30	898562-43230	7 - 33
123125-40630	fore - 11	177227-42030	2 - 31	899580-68730	7 - 45
123126-10631	fore - 14	177228-27030	2 - 32	900105-05055	3 - 14
123126-10631	ifter - 11	177236-06910	2 - 27	900105-06060	3 - 23
123137-19830	fore - 15	178121-43230	7 - 46	900106-05012	1 - 41
123137-19830	ifter - 13	178127-43230	6 - 15	900106-05012	3 - 25
123138-03930	fore - 17	301000-51530	5 - 35	900106-05012	4 - 9
123138-03930	ifter - 14	301205-47531	5 - 16	900106-05020	1 - 36
123139-05560	fore - 19	351110-47530	6 - 23	900106-05020	2 - 33
123139-05560	ifter - 16	351210-47530	6 - 18	900106-05020	4 - 16
123140-05560	fore - 20	351213-47530	6 - 25	900106-05025	3 - 4
123140-27230	ifter - 17	351213-47531	6 - 25	900106-05025	4 - 17
123142-05560	fore - 24	351301-47531	6 - 19	900162-05012	3 - 20
123143-12110	fore - 8	351301-47532	6 - 19	900162-05012	7 - 61
123143-12110	ifter - 6	351301-47533	6 - 19	900162-05014	5 - 20
123144-44330	ifter - 20	351302-47530	6 - 16	900162-05014	6 - 21
123149-54230	fore - 6	437215-20760	3 - 28	900162-05014	7 - 15
123149-54230	ifter - 4	437215-20760	4 - 21	900162-05014	7 - 54
123172-45130	fore - 5	610011-47530	5 - 5	900162-05018	7 - 57
123172-45130	ifter - 3	610011-51530	5 - 5	900162-05020	1 - 3
123173-07930	fore - 7	610206-47531	5 - 13	900162-05020	1 - 33
123173-07930	ifter - 5	610206-51531	5 - 13	900162-05020	2 - 9
123180-05560	fore - 22	610258-47530	5 - 19	900162-05020	5 - 17
123181-39130	3 - 30	610258-51530	5 - 19	900162-05020	5 - 30
123181-40630	fore - 23	610300-47530	7 - 13	900162-05020	7 - 7
123183-40630	fore - 9	610310-51530	7 - 18	900162-05022	5 - 32
131004-55530	4 - 2	610320-47530	7 - 25	900162-05025	5 - 30
131016-55830	4 - 3	610334-06230	7 - 20	900162-05025	6 - 17
131051-56030	4 - 4	610352-47530	7 - 24	900162-05025	7 - 59
131205-19830	4 - 27	610413-47530	7 - 21	900162-05030	5 - 24
131300-56430	4 - 22	610434-50031	7 - 16	900162-05035	1 - 23



**Index**

<b>Patrs Number</b>	<b>Key No.</b>	<b>Patrs Number</b>	<b>Key No.</b>	<b>Patrs Number</b>	<b>Key No.</b>
900162-05035	5 - 23	A172-000230	1 - 35	P003-000510	fore - 13
900162-05035	7 - 14	A200-000060	3 - 3	P003-000900	fore - 2
900220-05030	6 - 3	A226-000080	3 - 15	P003-000980	fore - 10
900253-04008	3 - 16	A226-000220	3 - 15	P003-001130	fore - 26
900253-04016	6 - 2	A226-000320	3 - 15	P003-001130	ifter - 7
900323-03014	1 - 44	A232-000090	3 - 18	P003-001490	ifter - 10
900323-03014	2 - 19	A232-000091	3 - 18	P003-001500	ifter - 19
900500-00005	6 - 4	A232-000300	3 - 18	P021-002471	1 - 16
900500-00005	7 - 56	A232-000320	3 - 32	P021-002491	3 - 12
900502-00006	6 - 30	A235-000060	3 - 10	P021-002610	6 - 1
900502-00008	2 - 24	A244-000010	3 - 13	P021-002611	6 - 1
900516-00005	5 - 33	A300-000190	3 - 21	P021-002612	6 - 1
900519-00010	2 - 17	A320-000080	3 - 24	P021-002861	7 - 45
900603-00005	7 - 55	A323-000000	3 - 17	P021-004760	7 - 9
900701-00015	5 - 26	A350-000130	4 - 11	P021-004761	7 - 9
900701-00015	7 - 10	A350-000131	4 - 11	P021-004762	7 - 9
900702-00035	5 - 28	A390-000000	4 - 10	P021-004830	5 - 31
900702-00035	7 - 11	A390-000010	4 - 12	P021-005000	1 - 9
900800-06001	7 - 17	A393-000030	4 - 8	P021-005001	1 - 9
900810-06202	7 - 12	A393-000050	4 - 14	P021-005910	2 - 18
900810-36202	1 - 19	A409-000061	2 - 18	P021-005911	2 - 18
900813-06202	7 - 19	A411-000050	2 - 10	P021-007470	7 - 32
900819-06202	5 - 27	A426-000000	2 - 2	P021-008190	2 - 11
94035-36201	1 - 18	A427-000000	2 - 1	P021-008190	ifter -
A011-000120	1 - 15	A440-000240	6 - 9	P021-008900	3 - 21
A014-000000	1 - 5	A553-000040	2 - 15	P021-009590	3 - 12
A021-000570	3 - 9	A553-000040	ifter - 3	P021-009600	3 - 18
A021-000570	fore -	A556-000190	5 - 29	P021-009681	1 - 9
A021-001030	3 - 9	A556-000290	5 - 29	P021-009681	1 - 9
A021-001030	fore -	A557-000000	2 - 12	P021-009682	1 - 9
A021-001160	3 - 9	A557-000000	ifter - 1	P021-009682	1 - 9
A021-001160	ifter -	A570-000040	5 - 25	P021-009691	1 - 1
A051-000070	2 - 26	A575-000030	5 - 21	P021-009692	1 - 1
A052-000010	2 - 20	C400-000150	6 - 23	P021-009693	1 - 1
A052-000011	2 - 20	C450-000020	6 - 7	P021-011150	1 - 9
A101-000070	1 - 10	C450-000021	6 - 7	P021-011160	1 - 43
A101-000070	1 - 10	C450-000022	6 - 7	P021-011170	1 - 42
A101-000070	1 - 10	C460-000010	6 - 5	P022-002080	2 - 28
A101-000070	1 - 10	C460-000011	6 - 5	P022-002090	2 - 22
A128-000060	3 - 1	C463-000000	6 - 10	P022-002100	2 - 21
A130-000450	1 - 2	C535-000050	7 - 22	P022-002110	1 - 7
A130-000451	1 - 2	C535-000060	7 - 23	V100-000040	1 - 4
A130-000710	1 - 2	J485-000030	3 - 11	V102-000001	1 - 20
A130-000710	1 - 2	P003-000090	fore - 21	V103-000070	3 - 2
A130-000711	1 - 2	P003-000090	ifter - 18	V103-000080	3 - 5
A130-000711	1 - 2	P003-000100	fore - 11	V104-000210	3 - 19
A130-000810	1 - 2	P003-000100	ifter - 8	V141-000020	2 - 4
A160-000241	1 - 39	P003-000180	fore - 4	V150-000550	3 - 22
A162-000020	1 - 38	P003-000180	ifter - 2	V186-000120	3 - 29

**Index**

<b>Patrs Number</b>	<b>Key No.</b>	<b>Patrs Number</b>	<b>Key No.</b>	<b>Patrs Number</b>	<b>Key No.</b>
V253-000100	3 - 31				
V307-000060	1 - 14				
V307-000060	1 - 14				
V307-000060	1 - 14				
V353-000020	1 - 37				
V430-000390	6 - 14				
V430-000960	6 - 14				
V451-000390	2 - 13				
V451-000480	2 - 13				
V451-000480	ifter - 4				
V452-000050	6 - 6				
V452-000060	6 - 8				
V452-000130	6 - 6				
V453-000070	2 - 16				
V453-000070	ifter - 5				
V471-001560	3 - 26				
V475-001610	2 - 5				
V494-000080	6 - 31				
V580-000010	1 - 12				
V580-000010	1 - 12				
V580-000010	1 - 12				
V608-000000	1 - 11				
V608-000000	1 - 11				
V608-000000	1 - 11				
X503-002880	1 - 40				
X602-000020	7 - 44				
X690-000030	7 - 45				

# YAMABIKO CORPORATION

7-2 SUEHIROCHO 1-CHOME, OHME, TOKYO 198-8760, JAPAN  
PHONE: 81-428-32-6118. FAX: 81-428-32-6145.



5010  
No.