



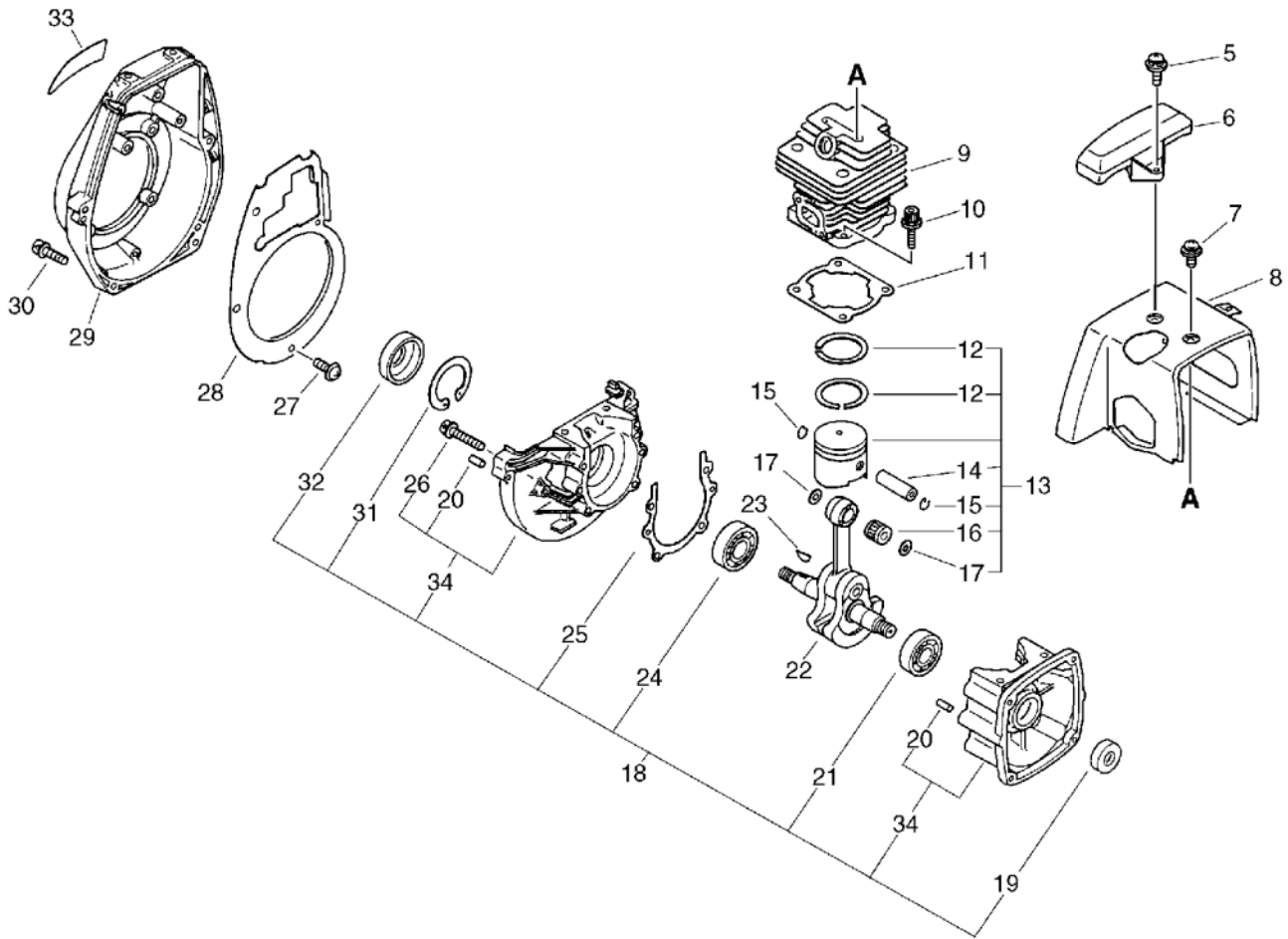
# **PARTS CATALOGUE**

## **CLEARING SAW CLS-4600,4610**

CLS-4600,4610

# 1. Cylinder, Crankcase, Piston, Fan Cover

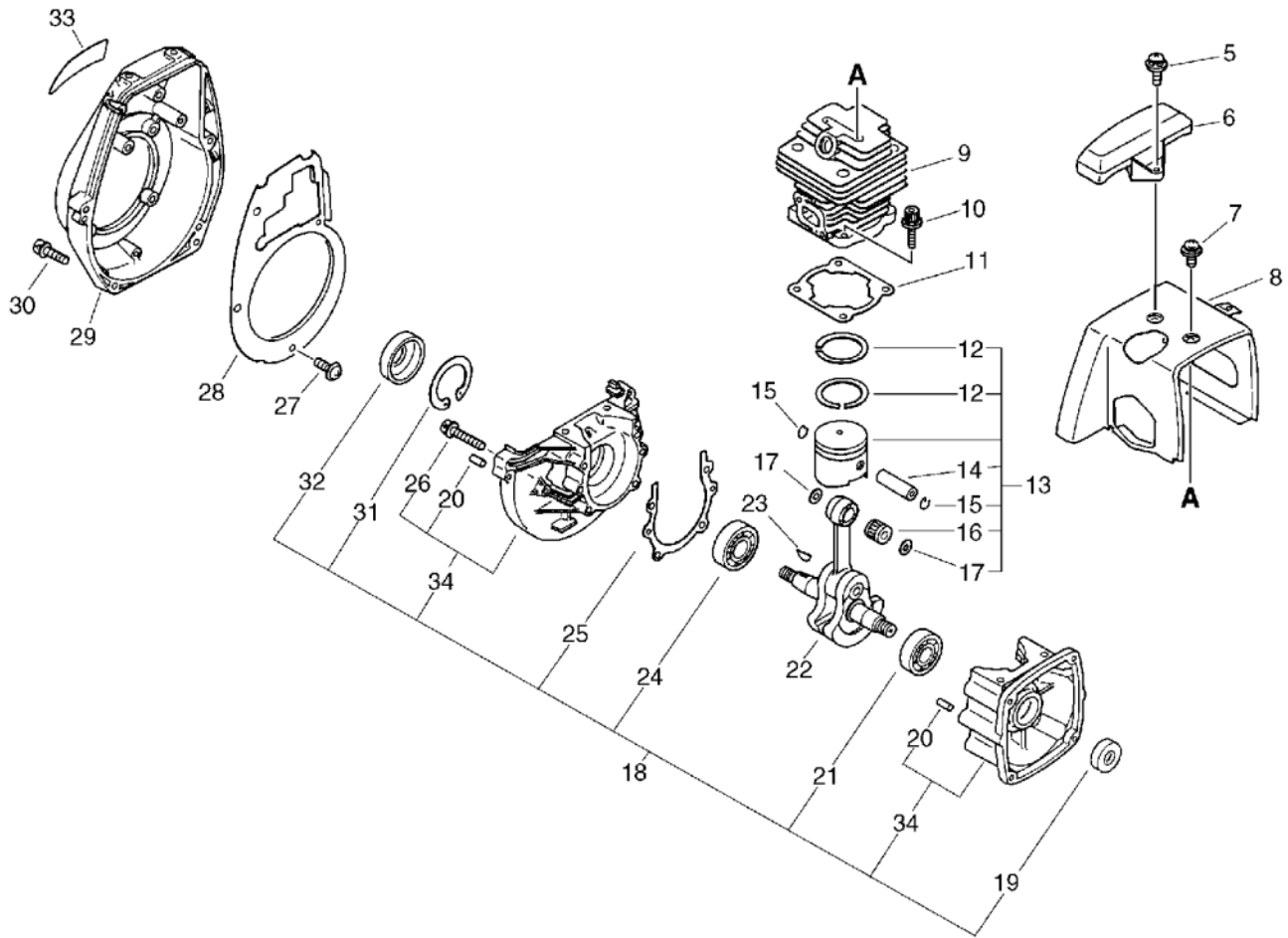
No.1



KEY	LV	PART NUMBER	Q'TY	DESCRIPTION	REMARKS	NOTE1	NOTE2
5		900238-05014	3	SCREW 5*14	5*14		
6		159905-43130	1	GUARD, TOP			
7		900238-05010	1	SCREW 5*10	5*10		
8		101514-42230	1	COVER, CYLINDER (BS)			
9		101011-47530	1	CYLINDER			
10		900162-05020	4	BOLT, H.S. 5*20	5*20 W,SW		
11		101010-42231	1	GASKET, CYL. BASE			
13		100000-43230	1	PISTON KIT		Sus. by 100000-43231	
13		100000-43231	1	PISTON KIT			
12	+	100011-43230	2	RING, PISTON			
14	+	100013-00410	1	PIN, PISTON	6*10*29.8		
15	+	100015-00120	2	CIRCLIP, PISTON PIN			
16	+	100012-12331	1	BEARING, NEEDLE			
17	+	100014-17330	2	SPACER, PISTON PIN		Sus. by V307-000050	
17	+	V307-000050	2	WASHER, CIRCULAR 10			
18		100204-42230	1	CRANKCASE KIT			
19	+	100212-27930	1	OILSEAL	ISD 12 25 7		
21	+	900810-36201	1	BEARING, BALL 6201	6201/C3	Sus. by 94035-36201	
21	+	94035-36201	1	BEARING BALL	6201X3JR2C3		
24	+	900810-36202	1	BEARING, BALL 6202	6202/C3		
25	+	100242-42230	1	GASKET, CRANKCASE			
31	+	900702-00035	1	CIRCLIP 35	CR-35		
32	+	100213-02830	1	OILSEAL	ISMX15,35,6		

# 1. Cylinder, Crankcase, Piston, Fan Cover

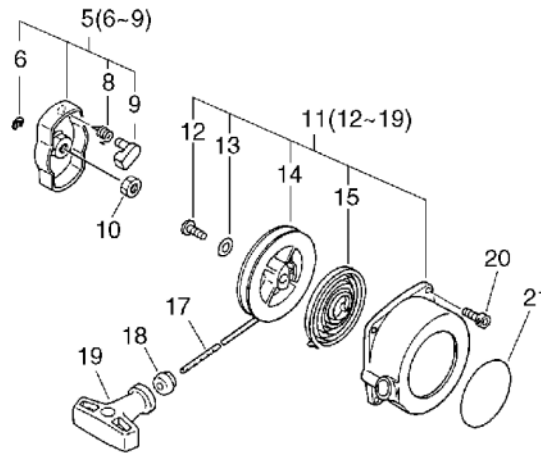
No.1



KEY	LV	PART NUMBER	Q'TY	DESCRIPTION	REMARKS	NOTE1	NOTE2
34	+	100200-42230	1	CRANKCASE SET			
20	++	100215-02830	4	PIN, DOWEL			
26	++	900162-05030	4	BOLT, H.S. 5*30	5*30 W,SW		
22		100100-43130	1	CRANKSHAFT ASSY			
23		100142-12330	1	KEY, WOODRUFF			
27		900238-04010	4	SCREW 4*10	4*10		
28		101534-42230	1	PLATE, GUIDE			
29		101511-42230	1	COVER, FAN (BS)			
30		900162-05025	4	BOLT, H.S. 5*25	5*25 W,SW		
33		890115-51530	1	LABEL, MODEL			

## 2. Starter

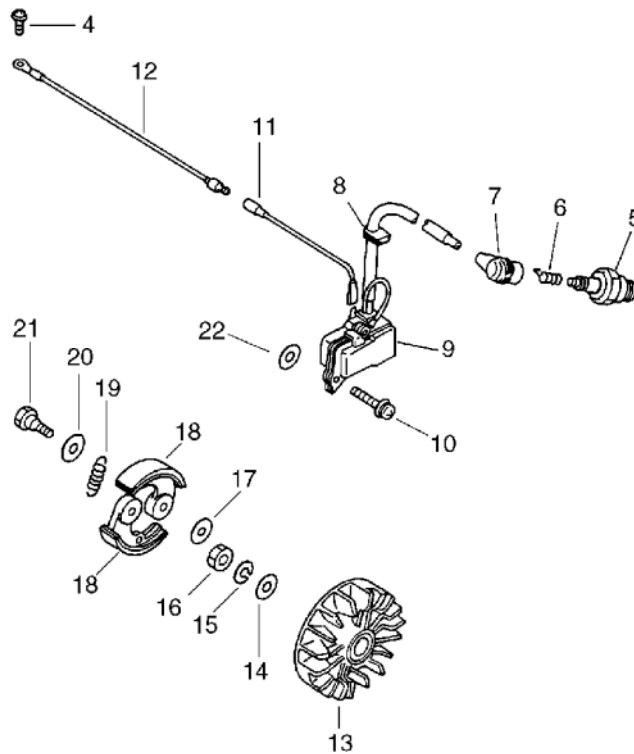
### No.2



KEY	LV	PART NUMBER	Q'TY	DESCRIPTION	REMARKS	NOTE1	NOTE2
5		177202-41030	1	PAWL ASSY, STARTER			
6	+	900700-00004	1	E-RING 4	CE-4		
8	+	177234-40630	1	SPRING, RETURN			
9	+	177218-40630	1	PAWL, STARTER	WHITE		
10		900502-00008	1	NUT 8 (3N)	3N8		
11		177200-43130	1	STARTER ASSY (BS)		Sus. by A051-000170	
11		A051-000170	1	STARTER, RECOIL			
12	+	177236-40630	1	SCREW			
13	+	177214-41030	1	WASHER			
14	+	177215-43130	1	DRUM, STARTER			
15	+	177220-40630	1	SPRING, REWIND			
17	+	177226-01110	1	ROPE, STARTER	4.0*880		
18	+	177227-05530	1	GUIDE, ROPE		Can be used on 177200-43130 only	
18	+	177227-42030	1	GUIDE, ROPE		Can be used on A051-000170 only	
19	+	177228-11120	1	GRIP, STARTER			
20		900162-04020	4	BOLT, H.S. 4*20	4*20 W,SW		
21		890118-49330	1	LABEL, ECHO			

### 3. Magneto, Clutch

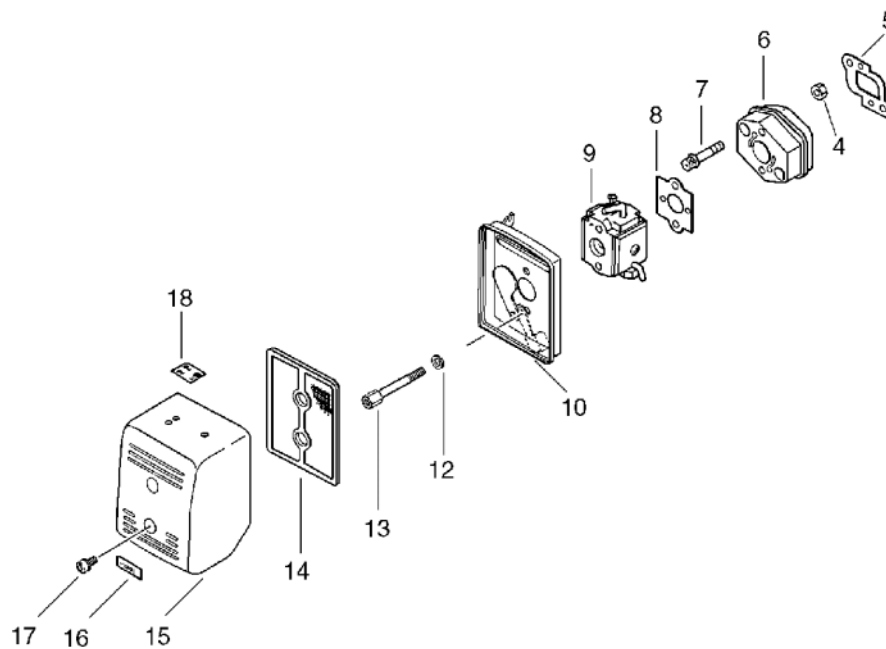
No.3



KEY	LV	PART NUMBER	Q'TY	DESCRIPTION	REMARKS	NOTE1	NOTE2
4		900238-05010	1	SCREW 5*10	5*10		
5		159017-10230	1	PLUG, SPARK (RCJ-7Y)	RCJ-7Y		
6		159011-03432	1	COIL, SPARK PLUG			
7		159012-03433	1	CAP, SPARK PLUG			
8		156112-40630	1	GROMMET			
9		156626-42230	1	COIL, IGNITION		Sus. by set of 156601-12920 and 900600-00006	
9		156601-12920	1	COIL,IGNITION			
10		900238-05020	2	SCREW 5*20	5*20		
11		162021-42230	1	LEAD			
12		156635-43130	1	LEAD, GROUND			
13		156801-42230	1	FLYWHEEL			
14		900600-00010	1	WASHER 10	10		
15		900605-00010	1	WASHER, SPRING 10	10		
16		900503-00010	1	NUT 10 (3N *1.25)	3N10*P1.25		
17		175049-03920	2	WASHER			
18		175009-42231	2	SHOE, CLUTCH			
19		175018-42230	1	SPRING, CLUTCH			
20		175048-03920	2	WASHER			
21		175046-06230	2	BOLT, CLUTCH			
22		900600-00006	2	WASHER 6	6		

# 4. Air Cleaner

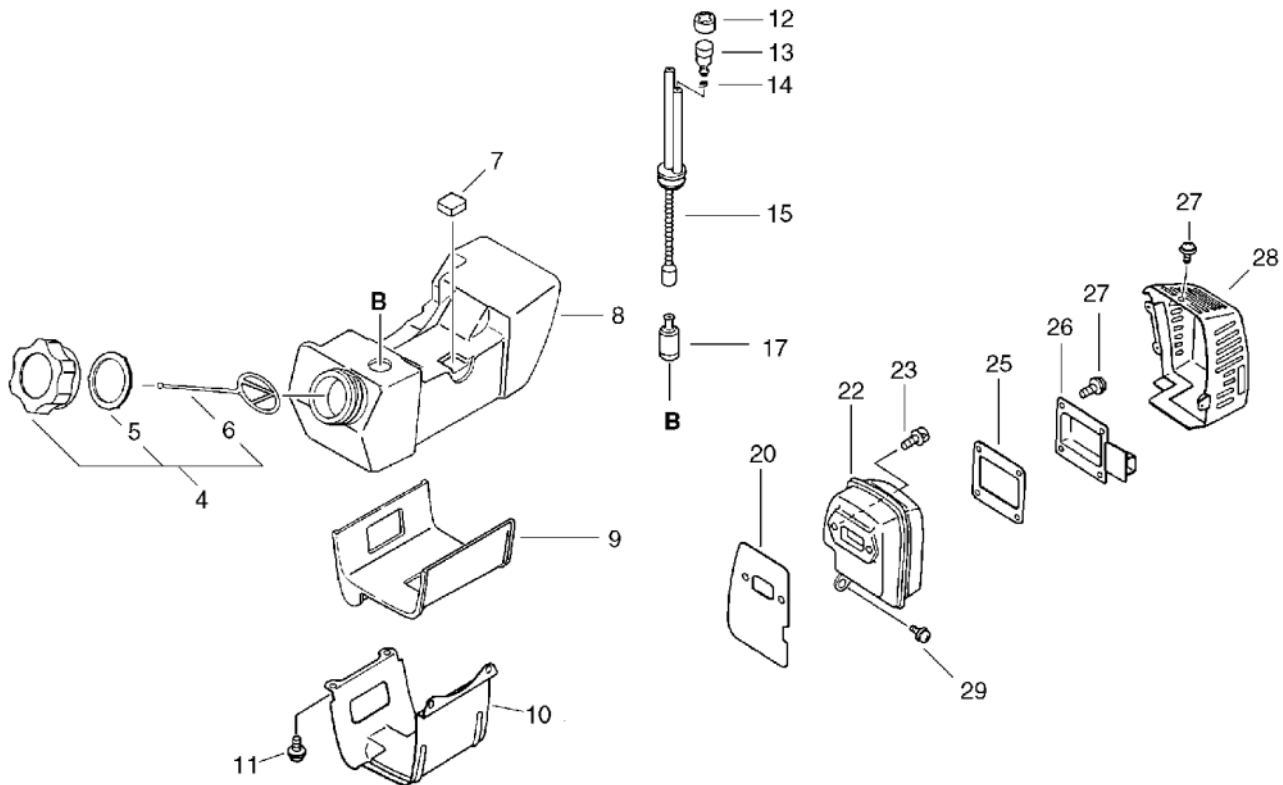
No.4



KEY	LV	PART NUMBER	Q'TY	DESCRIPTION	REMARKS	NOTE1	NOTE2
4		900500-00005	2	NUT 5	5		
5		130016-42231	1	GASKET, INTAKE			
6		130017-43130	1	INSULATOR			
7		900162-05025	2	BOLT, H.S. 5*25	5*25 W,SW		
8		130016-06231	1	GASKET		Sus. by 130016-06232	
8		130016-06232	1	GASKET, INTAKE			
9		123000-47532	1	CARBURETOR ASSY	WT-120B		
10		130307-47533	1	CASE, AIR CLEANER			
12		900605-00005	2	WASHER, SPRING 5	5		
13		130021-51530	2	BOLT, 5			
14		130310-06230	1	FILTER, AIR			
15		130313-06230	1	COVER, AIR CLEANER			
16		890121-21430	1	LABEL, CHOKE			
17		900238-04008	2	SCREW 4*8	4*8		
18		890169-47530	1	LABEL, ADJUSTING			

# 5. Muffler, Fuel Tank

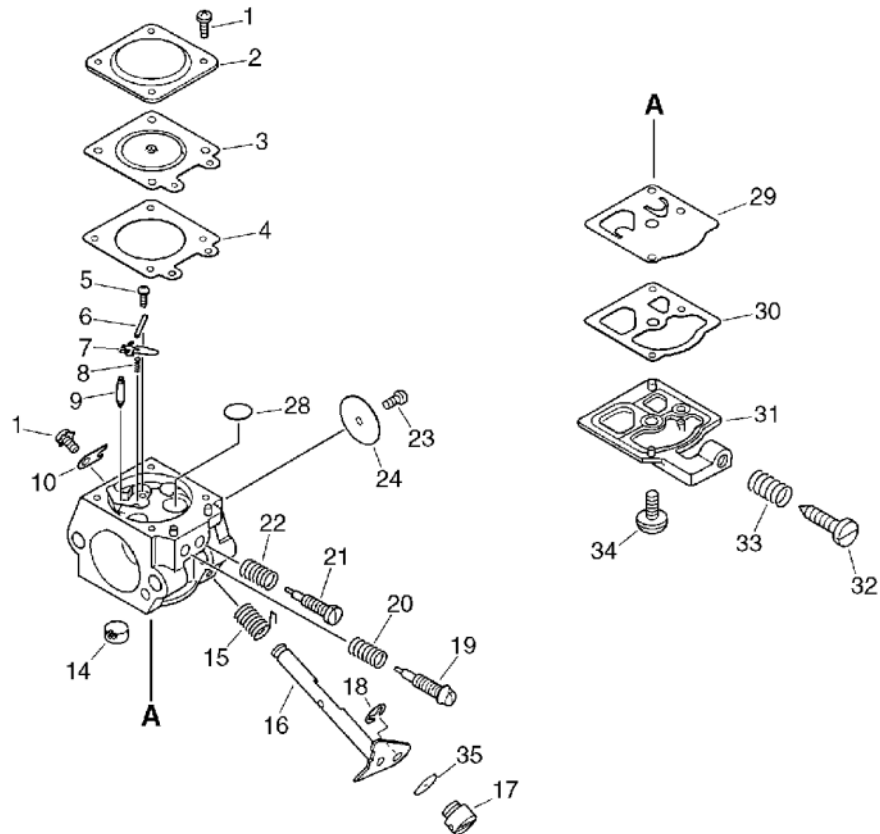
No.5



KEY	LV	PART NUMBER	Q'TY	DESCRIPTION	REMARKS	NOTE1	NOTE2
4		131004-08960	1	CAP ASSY, FUEL			
5	+	131016-55830	1	GASKET, FUEL CAP			
6	+	131051-52430	1	CONNECTOR, CAP	80L		
7		131923-11120	3	CUSHION			
8		131010-46930	1	TANK, FUEL		Sus. by 131010-46931	
8		131010-46931	1	TANK, FUEL			
9		131924-43130	1	CUSHION			
10		131910-43130	1	BRACKET, FUEL TANK (BL)			
11		900238-05014	2	SCREW 5*14	5*14		
12		131328-40630	1	COVER, VENT			
13		131300-56430	1	VALVE, CHECK			
14		132013-26630	1	CLIP	6.5MM		
15		132010-43130	1	PIPE, FUEL (INNER)	NBR		
17		131205-19830	1	STRAINER, FUEL			
20		145510-42231	1	GASKET, MUFFLER			
22		145610-47530	1	MUFFLER			
23		900162-05020	2	BOLT, H.S. 5*20	5*20 W, SW		
25		145866-43131	1	GASKET, MUFFLER LID			
26		145867-47530	1	LID, MUFFLER			
27		900238-04010	7	SCREW 4*10	4*10		
28		145871-43130	1	COVER, MUFFLER			
29		900238-05014	1	SCREW 5*14	5*14		

# 6. Carburetor

## No.6

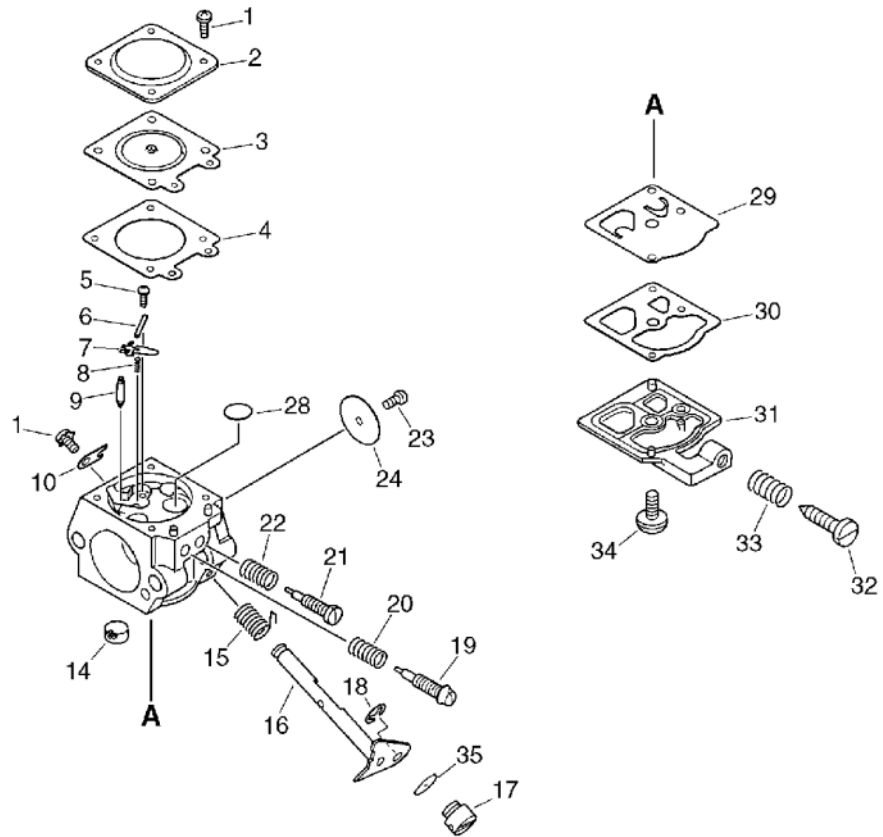


KEY	LV	PART NUMBER	Q'TY	DESCRIPTION	REMARKS	NOTE1	NOTE2
		123000-47532	1	CARBURETOR ASSY	WT-120B		
1	+	123130-02960	5	SCREW			
2	+	123142-03930	1	COVER, M. DIAPHRAGM			
3	+	123141-03930	1	DIAPHRAGM, METERING			
4	+	123140-03930	1	GASKET, M. DIAPHRAGM			
5	+	123139-03930	1	SCREW, M. LEVER PIN			
6	+	123138-03930	1	PIN, METERING LEVER			
7	+	123123-03930	1	LEVER, METERING			
8	+	123122-47530	1	SPRING, METER. LEVER			
9	+	123137-04260	1	VALVE, INLET NEEDLE			
10	+	123127-03930	1	CLIP, THROTTLE SHAFT			
14	+	123126-10631	1	SCREEN, INLET			
15	+	123113-47530	1	SPRING, THR. RTN.			
16	+	123117-05020	1	SHAFT, THROTTLE			
17	+	123172-26030	1	SWIVEL			
18	+	123173-07930	1	CLIP			
19	+	123120-47530	1	NEEDLE, HIGH SPEED			
20	+	123119-22130	1	SPRING, NEEDLE			
21	+	123118-40430	1	NEEDLE, IDLE			
22	+	123121-22130	1	SPRING, NEEDLE			
23	+	123114-03930	1	SCREW		Sr/Nr 011173 and before	
23	+	123114-38830	1	SCREW		Sr/Nr 011174 and after	
24	+	123116-10530	1	VALVE, THROTTLE			
28	+	123146-10631	1	PLUG, WELCH			



# 6. Carburetor

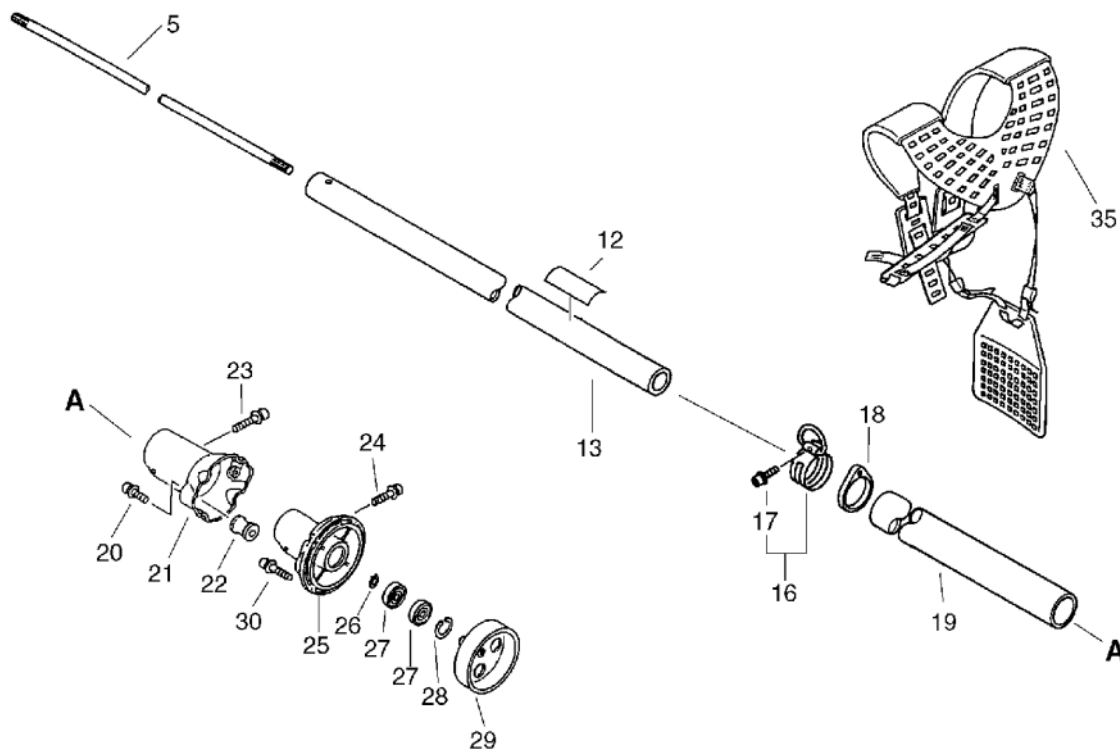
No.6



KEY	LV	PART NUMBER	Q'TY	DESCRIPTION	REMARKS	NOTE1	NOTE2
29	+	123112-15030	1	DIAPHRAGM, FUEL PUMP			
30	+	123125-15030	1	GASKET, FUEL PUMP			
31	+	123124-24430	1	COVER, FUEL PUMP			
32	+	123134-04260	1	SCREW, IDLE ADJUST			
33	+	123133-06320	1	SPRING, IDLE ADJUST			
34	+	123110-03930	1	SCREW, PUMP COVER			
35	+	123149-26030	1	WASHER			

# 7. Pipe, Harness

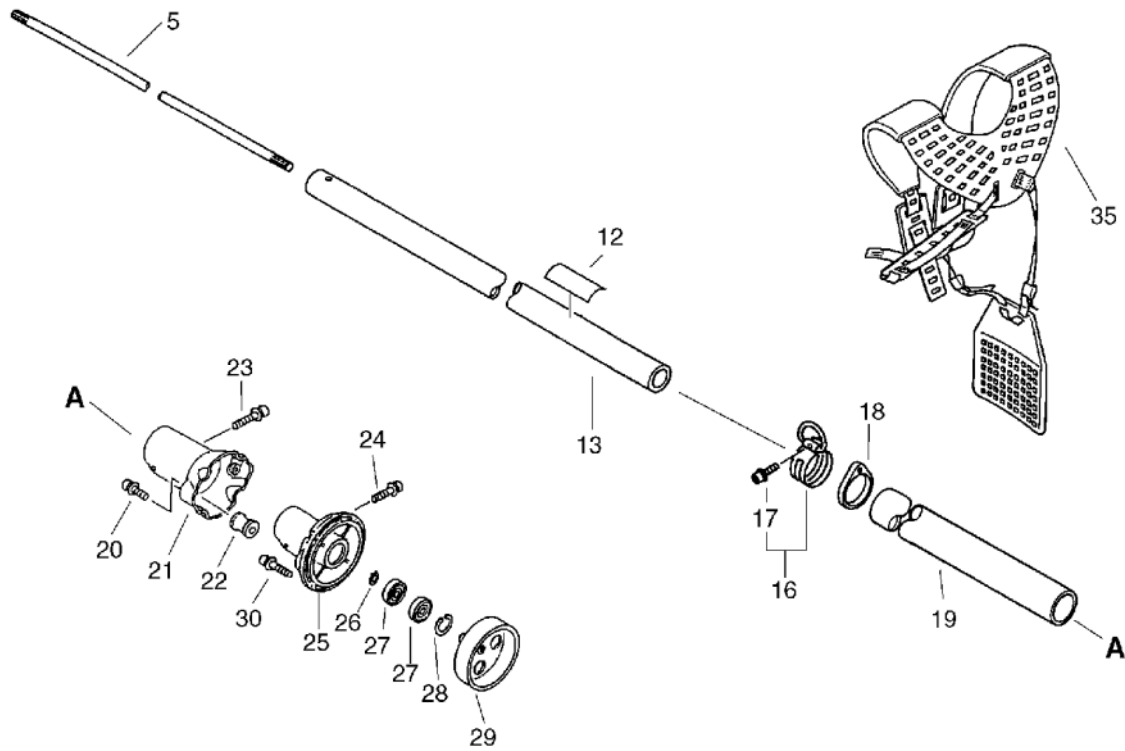
No.7



KEY	LV	PART NUMBER	Q'TY	DESCRIPTION	REMARKS	NOTE1	NOTE2
5		610011-47530	1	SHAFT, DRIVE		CLS-4600	
5		610011-51530	1	SHAFT, DRIVE		CLS-4610	
12		890617-46830	1	LABEL, CAUTION		Sus. by 890617-43130	
12		890617-43130	1	LABEL,CAUTION			
13		610206-47531	1	HOUSING ASSY, D.SHFT		Sus. by C050-000600,CLS-4600	
13		C050-000600	1	PIPE, MAIN	35*1400	CLS-4600	
13		610206-51531	1	HOUSING ASSY, D.SHFT		Sus. by C050-000610,CLS-4610	
13		C050-000610	1	PIPE, MAIN	35*1530	CLS-4610	
16		301205-47531	1	HOOK			
17	+	900162-05020	1	BOLT, H.S. 5*20	5*20 W,SW		
18		178121-47530	2	CLIP			
19		610258-47530	1	SWIVEL, D.S.HOUS		CLS-4600	
19		610258-51530	1	HOUSING, DRV. SFAFT		CLS-4610	
20		900162-05014	2	BOLT, H.S. 5*14	5*14 W,SW		
21		610266-47530	1	CASE, CLUTCH			
22		100905-51530	2	CUSHION		Sus. by 100910-21860	
22		100910-21860	2	CUSHION			
23		900162-05035	1	BOLT, H.S. 5*35	5*35 W,SW		
24		900162-05030	2	BOLT, H.S. 5*30	5*30 W,SW		
25		610223-47531	1	FLANGE, D.S. HOUSING			

# 7. Pipe, Harness

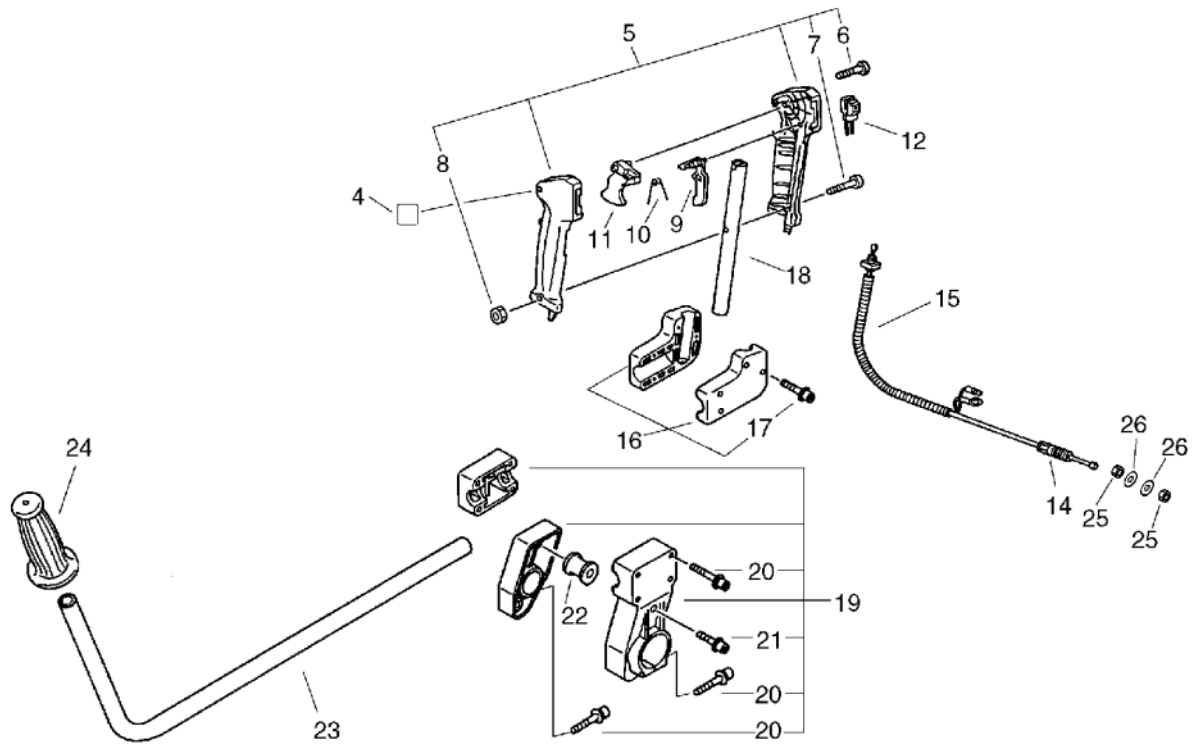
No.7



KEY	LV	PART NUMBER	Q'TY	DESCRIPTION	REMARKS	NOTE1	NOTE2
26		900701-00015	1	CIRCLIP 15	CS-15		
27		900819-06202	2	BEARING, BALL 6202	6202VV(LLB)		
28		900702-00035	1	CIRCLIP 35	CR-35		
29		175005-47530	1	DRUM, CLUTCH			
30		900162-05020	4	BOLT, H.S. 5*20	5*20 W,SW		
35		301000-51530	1	HARNESS, SHOULDER			

# 8. Handle

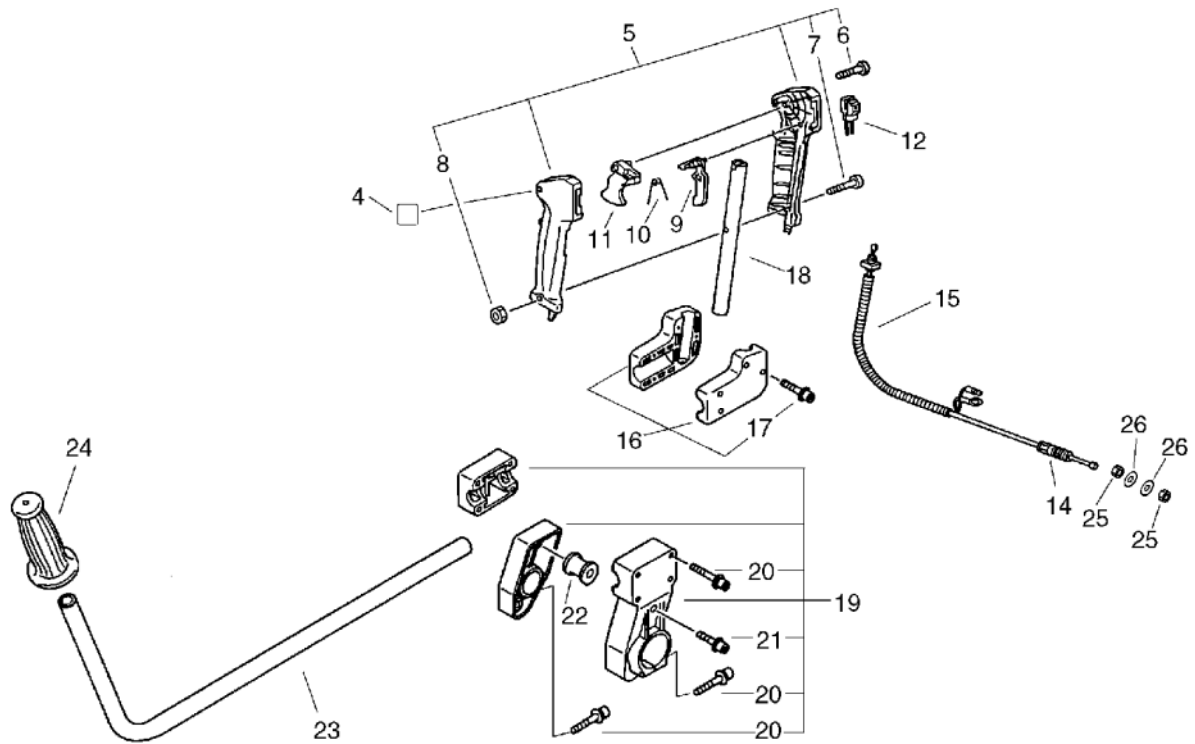
No.8



KEY	LV	PART NUMBER	Q'TY	DESCRIPTION	REMARKS	NOTE1	NOTE2
4		890157-39130	1	LABEL, SWITCH		Disuse	
5		351102-47530	1	GRIP ASSY, F-HANDLE			
6	+	900246-03025	4	SCREW 3*25	3*25		
7	+	900220-05030	1	SCREW 5*30	5*30		
8	+	900500-00005	1	NUT 5	5		
9		178012-05960	1	LOCKOUT, THROTTLE			
10		178013-35631	1	SPRING, THR. LOCK			
11		178010-05960	1	CONTROL, THROTTLE			
12		163400-48030	1	SWITCH, IGNITION			
14		178001-47530	1	WIRE, THROTTLE			
15		178127-47530	1	TUBE	7*10*760		
16		351302-47530	1	BRACKET, HANDLE			
17	+	900162-05025	4	BOLT, H.S. 5*25	5*25 W,SW		
18		351210-47530	1	HANDLE, REAR			
19		351301-47531	1	BRACKET, HANDLE		Sus. by 351301-47533	
19		351301-47532	1	BRACKET ASY, HANDLE		Sus. by 351301-47533	
19		351301-47533	1	BRACKET ASY, HANDLE			
20	+	900162-05035	6	BOLT, H.S. 5*35	5*35 W,SW		
21	+	900162-05014	2	BOLT, H.S. 5*14	5*14 W,SW		
22		100905-51530	2	CUSHION		Sus. by 100910-21860	
22		100910-21860	2	CUSHION			
23		351110-47530	1	HANDLE, FRONT		CLS-4600	
23		351110-54430	1	HANDLE, FRONT		CLS-4610	

# 8. Handle

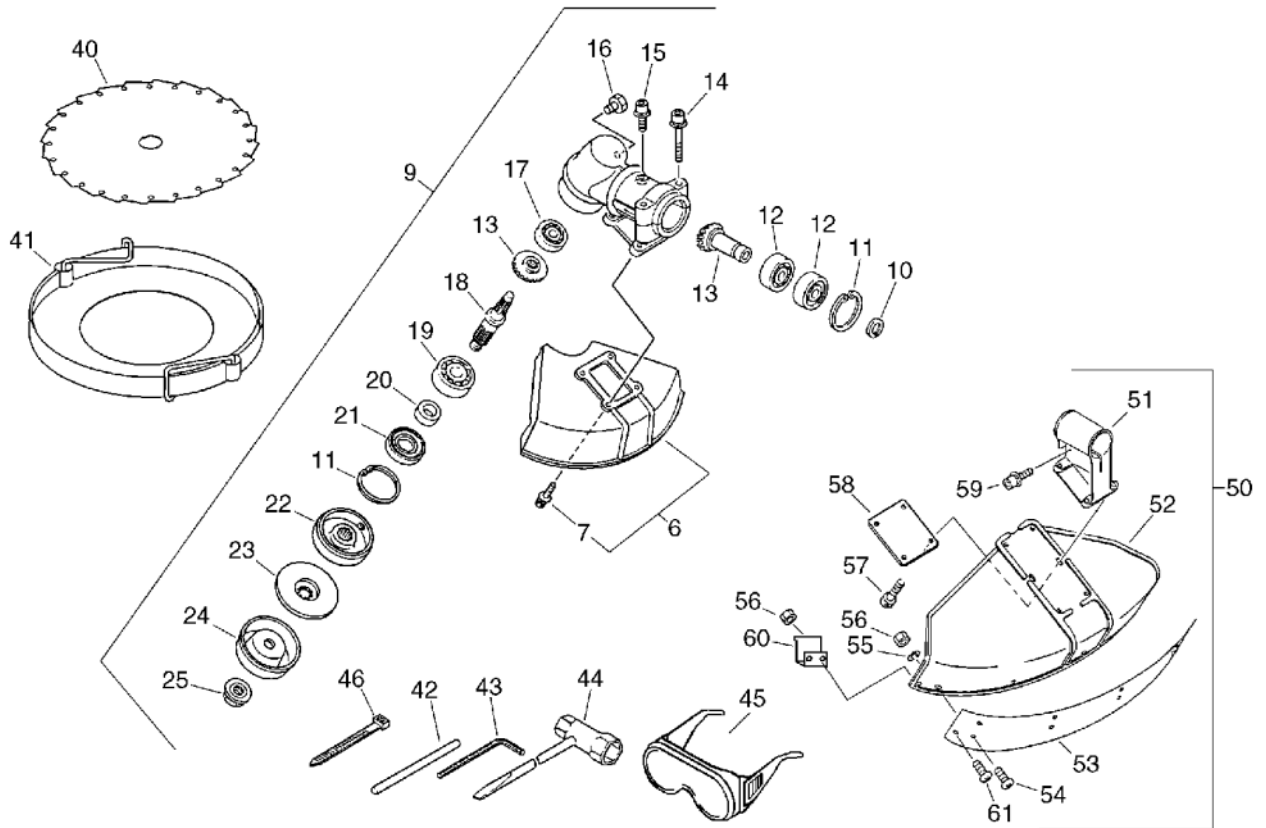
No.8



KEY	LV	PART NUMBER	Q'TY	DESCRIPTION	REMARKS	NOTE1	NOTE2
24		351213-47530	1	GRIP		Sus. by 351213-47531	
24		351213-47531	1	GRIP, HANDLE			
25		900502-00006	2	NUT 6 (3N)	3N6		
26		900600-00006	2	WASHER 6	6		

# 9. Gear Case, Shield, Blade, Tools

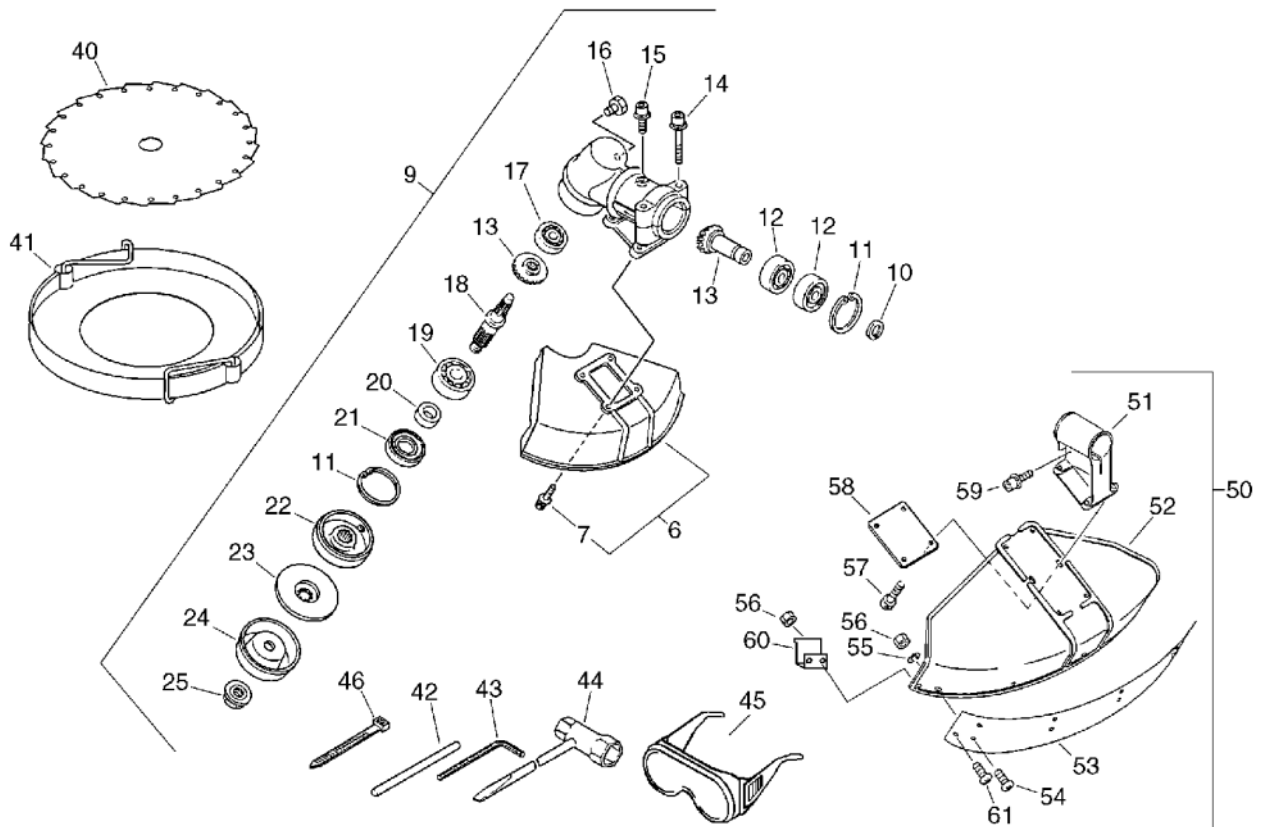
No.9



KEY	LV	PART NUMBER	Q'TY	DESCRIPTION	REMARKS	NOTE1	NOTE2
6		699000-47530	1	SHIELD ASSY		CLS-4600	
7	+	900162-05020	4	BOLT, H.S. 5*20	5*20 W,SW	CLS-4600	
9		610400-51530	1	HOUSING ASSY, GEAR		Sus. by P021-004762	
9		P021-004761	1	HOUSING ASY,GEAR		Sus. by P021-004762	
9		P021-004762	1	HOUSING ASY,GEAR			
10	+	900701-00015	1	CIRCLIP 15	CS-15		
11	+	900702-00035	2	CIRCLIP 35	CR-35		
12	+	900810-06202	2	BEARING, BALL 6202	6202		
13	+	610300-47530	1	GEAR SET			
14	+	900162-05035	2	BOLT, H.S. 5*35	5*35 W,SW		
15	+	900162-05014	1	BOLT, H.S. 5*14	5*14 W,SW		
16	+	610434-50030	1	BOLT 8* 6		Sus. by 610434-50031	
16	+	610434-50031	1	BOLT 8* 8	M8*8		
17	+	900800-06001	1	BEARING, BALL 6001	6001		
18	+	610310-51530	1	SHAFT, P.T.O.			
19	+	900813-06202	1	BEARING, BALL 6202Z	6202Z		
20	+	610334-06230	1	SPACER, OILSEAL			
21	+	610413-47530	1	OILSEAL IS 20 35 7			
22	+	610313-47530	1	PLATE, ADAPTER PD20			
23	+	610314-51530	1	PLATE, ADAPTER			
24	+	610352-47530	1	PLATE, CUP			
25	+	610320-47530	1	NUT, LOCK			
40		695001-51530	1	SAW, EIA200-20		CLS-4600	

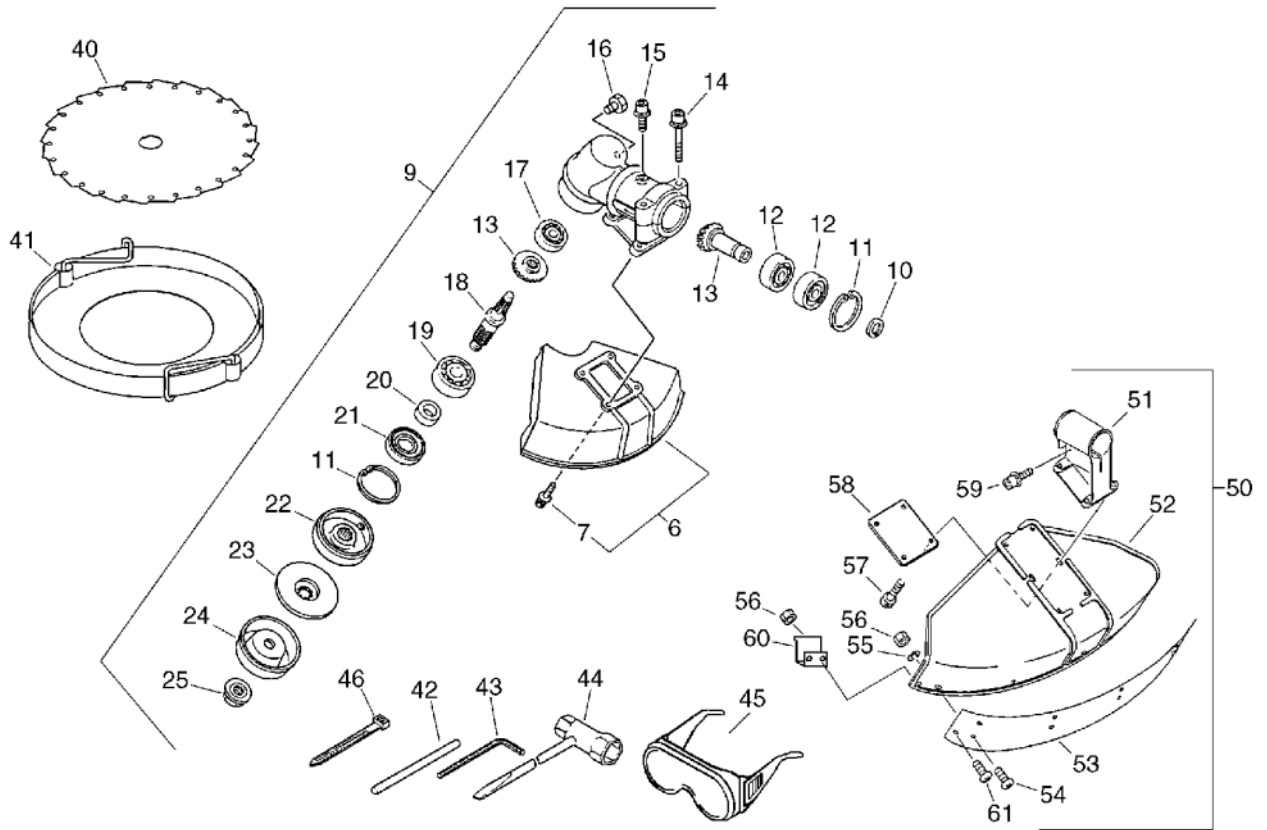
# 9. Gear Case, Shield, Blade, Tools

No.9



KEY	LV	PART NUMBER	Q'TY	DESCRIPTION	REMARKS	NOTE1	NOTE2
41		898503-08030	1	COVER SET, CUTTER		Sus. by 898503-08031	
41		898503-08031	1	COVER SET, CUTTER	8INC (ORANGE)		
42		897518-01131	1	LOCKING TOOL			
43		895610-00130	1	L-WRENCH (4MM)			
44		895410-08030	1	WRENCH, W/S. DRIVER		Sus. by X602-000020	
44		X602-000020	1	TOOL,WRENCH	17*19 L200		
45		899580-68730	1	SAFETY GLASSES		Sus. by X690-000030	
45		X690-000030	1	GOGGLE			
46		178121-43230	1	BAND	CV-150 BL		
50		699000-54530	1	SHIELD ASSY		Sus. by 699000-47531	
50		699000-47531	1	SHIELD ASY		CLS-4610	
51	+	699011-51530	1	BRACKET, SHIELD		CLS-4610	
52	+	699010-54430	1	SHIELD, BLADE		CLS-4610	
53	+	699013-52130	1	PLATE, SHIELD		CLS-4610	
54	+	900162-05014	4	BOLT, H.S. 5*14	5*14 W,SW	CLS-4610	
55	+	900603-00005	4	WASHER 5	5.5*12*0.8	CLS-4610	
56	+	900500-00005	6	NUT 5	5	CLS-4610	
57	+	900162-05018	4	BOLT, H.S. 5*18	5*18 W,SW	CLS-4610	
58	+	699015-52130	1	PLATE, SHIELD		CLS-4610	
59	+	900162-05025	2	BOLT, H.S. 5*25	5*25 W,SW	CLS-4610	
60	+	699016-54530	1	KNIFE		CLS-4610	

# 9. Gear Case, Shield, Blade, Tools No.9



KEY	LV	PART NUMBER	Q'TY	DESCRIPTION	REMARKS	NOTE1	NOTE2
61	+	900162-05012	2	BOLT, H.S. 5*12	5*12 W,SW	CLS-4610	



**Index**

<b>Patrs Number</b>	<b>Key No.</b>	<b>Patrs Number</b>	<b>Key No.</b>	<b>Patrs Number</b>	<b>Key No.</b>
100000-43230	1 - 13	123140-03930	6 - 4	175049-03920	3 - 17
100000-43231	1 - 13	123141-03930	6 - 3	177200-43130	2 - 11
100011-43230	1 - 12	123142-03930	6 - 2	177202-41030	2 - 5
100012-12331	1 - 16	123146-10631	6 - 28	177214-41030	2 - 13
100013-00410	1 - 14	123149-26030	6 - 35	177215-43130	2 - 14
100014-17330	1 - 17	123172-26030	6 - 17	177218-40630	2 - 9
100015-00120	1 - 15	123173-07930	6 - 18	177220-40630	2 - 15
100100-43130	1 - 22	130016-06231	4 - 8	177226-01110	2 - 17
100142-12330	1 - 23	130016-06232	4 - 8	177227-05530	2 - 18
100200-42230	1 - 34	130016-42231	4 - 5	177227-42030	2 - 18
100204-42230	1 - 18	130017-43130	4 - 6	177228-11120	2 - 19
100212-27930	1 - 19	130021-51530	4 - 13	177234-40630	2 - 8
100213-02830	1 - 32	130307-47533	4 - 10	177236-40630	2 - 12
100215-02830	1 - 20	130310-06230	4 - 14	178001-47530	8 - 14
100242-42230	1 - 25	130313-06230	4 - 15	178010-05960	8 - 11
100905-51530	7 - 22	131004-08960	5 - 4	178012-05960	8 - 9
100905-51530	8 - 22	131010-46930	5 - 8	178013-35631	8 - 10
100910-21860	7 - 22	131010-46931	5 - 8	178121-43230	9 - 46
100910-21860	8 - 22	131016-55830	5 - 5	178121-47530	7 - 18
101010-42231	1 - 11	131051-52430	5 - 6	178127-47530	8 - 15
101011-47530	1 - 9	131205-19830	5 - 17	301000-51530	7 - 35
101511-42230	1 - 29	131300-56430	5 - 13	301205-47531	7 - 16
101514-42230	1 - 8	131328-40630	5 - 12	351102-47530	8 - 5
101534-42230	1 - 28	131910-43130	5 - 10	351110-47530	8 - 23
123000-47532	4 - 9	131923-11120	5 - 7	351110-54430	8 - 23
123000-47532	6 -	131924-43130	5 - 9	351210-47530	8 - 18
123110-03930	6 - 34	132010-43130	5 - 15	351213-47530	8 - 24
123112-15030	6 - 29	132013-26630	5 - 14	351213-47531	8 - 24
123113-47530	6 - 15	145510-42231	5 - 20	351301-47531	8 - 19
123114-03930	6 - 23	145610-47530	5 - 22	351301-47532	8 - 19
123114-38830	6 - 23	145866-43131	5 - 25	351301-47533	8 - 19
123116-10530	6 - 24	145867-47530	5 - 26	351302-47530	8 - 16
123117-05020	6 - 16	145871-43130	5 - 28	610011-47530	7 - 5
123118-40430	6 - 21	156112-40630	3 - 8	610011-51530	7 - 5
123119-22130	6 - 20	156601-12920	3 - 9	610206-47531	7 - 13
123120-47530	6 - 19	156626-42230	3 - 9	610206-51531	7 - 13
123121-22130	6 - 22	156635-43130	3 - 12	610223-47531	7 - 25
123122-47530	6 - 8	156801-42230	3 - 13	610258-47530	7 - 19
123123-03930	6 - 7	159011-03432	3 - 6	610258-51530	7 - 19
123124-24430	6 - 31	159012-03433	3 - 7	610266-47530	7 - 21
123125-15030	6 - 30	159017-10230	3 - 5	610300-47530	9 - 13
123126-10631	6 - 14	159905-43130	1 - 6	610310-51530	9 - 18
123127-03930	6 - 10	162021-42230	3 - 11	610313-47530	9 - 22
123130-02960	6 - 1	163400-48030	8 - 12	610314-51530	9 - 23
123133-06320	6 - 33	175005-47530	7 - 29	610320-47530	9 - 25
123134-04260	6 - 32	175009-42231	3 - 18	610334-06230	9 - 20
123137-04260	6 - 9	175018-42230	3 - 19	610352-47530	9 - 24
123138-03930	6 - 6	175046-06230	3 - 21	610400-51530	9 - 9
123139-03930	6 - 5	175048-03920	3 - 20	610413-47530	9 - 21

**Index**

<b>Patrs Number</b>	<b>Key No.</b>	<b>Patrs Number</b>	<b>Key No.</b>	<b>Patrs Number</b>	<b>Key No.</b>
610434-50030	9 - 16	900238-05010	1 - 7		
610434-50031	9 - 16	900238-05010	3 - 4		
695001-51530	9 - 40	900238-05014	1 - 5		
699000-47530	9 - 6	900238-05014	5 - 11		
699000-47531	9 - 50	900238-05014	5 - 29		
699000-54530	9 - 50	900238-05020	3 - 10		
699010-54430	9 - 52	900246-03025	8 - 6		
699011-51530	9 - 51	900500-00005	4 - 4		
699013-52130	9 - 53	900500-00005	8 - 8		
699015-52130	9 - 58	900500-00005	9 - 56		
699016-54530	9 - 60	900502-00006	8 - 25		
890115-51530	1 - 33	900502-00008	2 - 10		
890118-49330	2 - 21	900503-00010	3 - 16		
890121-21430	4 - 16	900600-00006	3 - 22		
890157-39130	8 - 4	900600-00006	8 - 26		
890169-47530	4 - 18	900600-00010	3 - 14		
890617-43130	7 - 12	900603-00005	9 - 55		
890617-46830	7 - 12	900605-00005	4 - 12		
895410-08030	9 - 44	900605-00010	3 - 15		
895610-00130	9 - 43	900700-00004	2 - 6		
897518-01131	9 - 42	900701-00015	7 - 26		
898503-08030	9 - 41	900701-00015	9 - 10		
898503-08031	9 - 41	900702-00035	1 - 31		
899580-68730	9 - 45	900702-00035	7 - 28		
900162-04020	2 - 20	900702-00035	9 - 11		
900162-05012	9 - 61	900800-06001	9 - 17		
900162-05014	7 - 20	900810-06202	9 - 12		
900162-05014	8 - 21	900810-36201	1 - 21		
900162-05014	9 - 15	900810-36202	1 - 24		
900162-05014	9 - 54	900813-06202	9 - 19		
900162-05018	9 - 57	900819-06202	7 - 27		
900162-05020	1 - 10	94035-36201	1 - 21		
900162-05020	5 - 23	A051-000170	2 - 11		
900162-05020	7 - 17	C050-000600	7 - 13		
900162-05020	7 - 30	C050-000610	7 - 13		
900162-05020	9 - 7	P021-004761	9 - 9		
900162-05025	1 - 30	P021-004762	9 - 9		
900162-05025	4 - 7	V307-000050	1 - 17		
900162-05025	8 - 17	X602-000020	9 - 44		
900162-05025	9 - 59	X690-000030	9 - 45		
900162-05030	1 - 26				
900162-05030	7 - 24				
900162-05035	7 - 23				
900162-05035	8 - 20				
900162-05035	9 - 14				
900220-05030	8 - 7				
900238-04008	4 - 17				
900238-04010	1 - 27				
900238-04010	5 - 27				

# YAMABIKO CORPORATION

7-2 SUEHIROCHO 1-CHOME, OHME, TOKYO 198-8760, JAPAN  
PHONE: 81-428-32-6118. FAX: 81-428-32-6145.



4610  
No.