

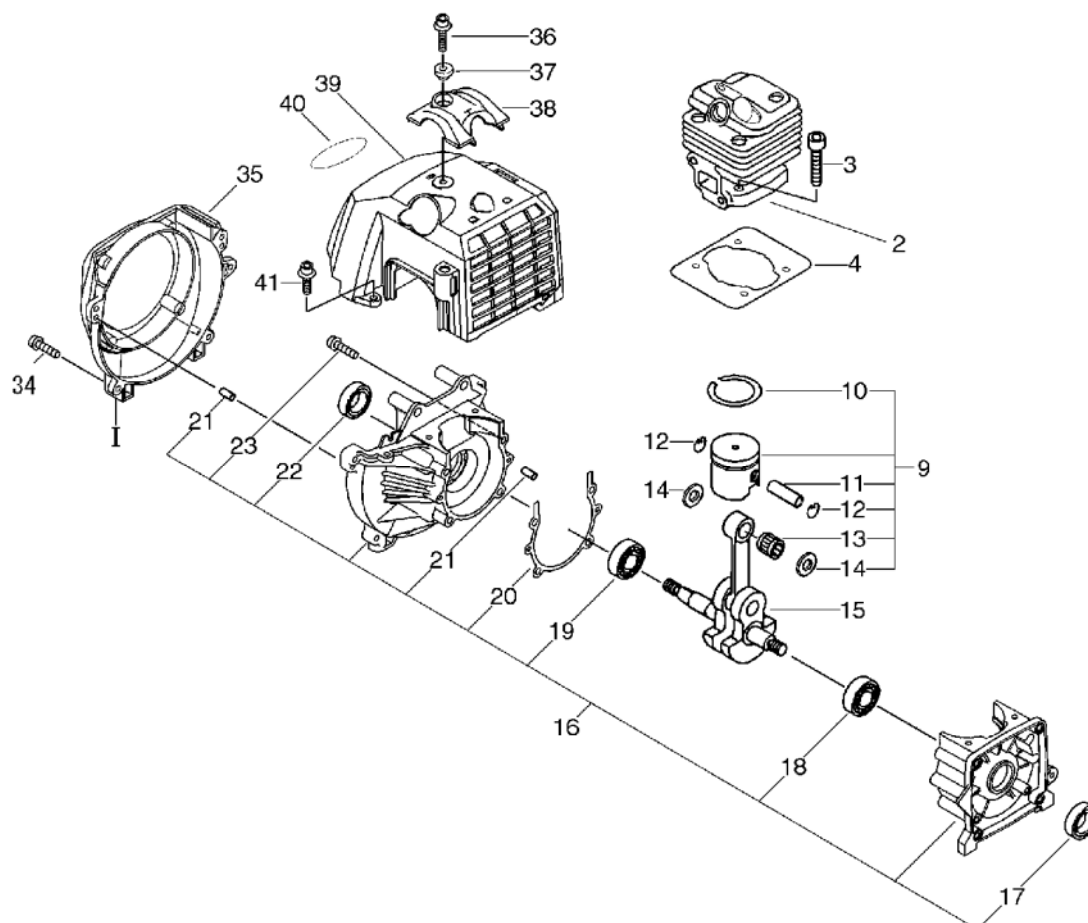
**shindaiwa<sup>®</sup>**

# **PARTS CATALOGUE**

## **BRUSHCUTTER CL520(36)**

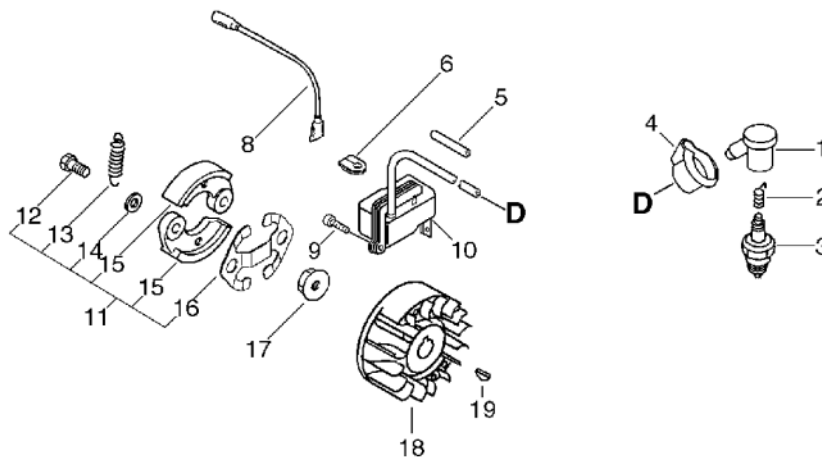
**36000001 -**

# 1. CYLINDER, CRANKCASE, PISTON



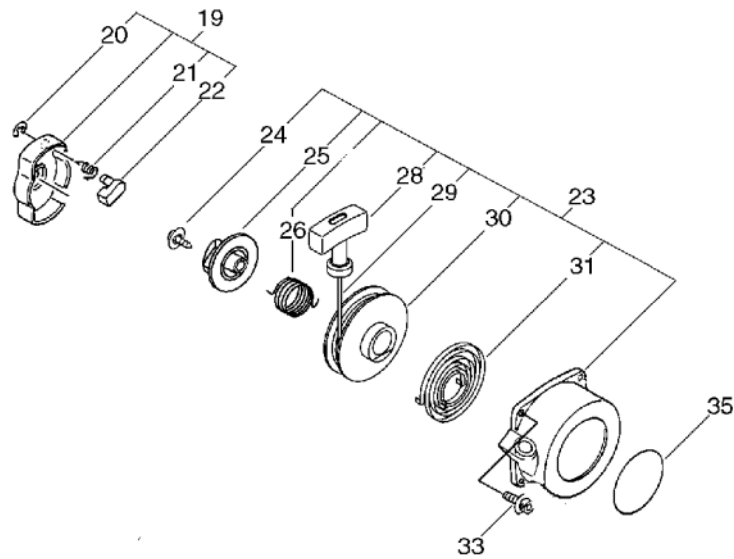
KEY	LV	PART NUMBER	Q'TY	DESCRIPTION	REMARKS	NOTE1	NOTE2
2		A130-000960	1	CYLINDER			
3		900162-05020	4	BOLT, H.S. 5*20	5*20 W,SW		
4		V100-000280	1	GASKET,CYL			
9		P021-016630	1	PISTON KIT			
10	+	A101-000220	1	RING, PISTON	44*1.5*1.8		
11	+	V608-000000	1	PIN,ENG 10			
12	+	V580-000010	2	RING,END	φ0.8		
13	+	100012-12331	1	BEARING, NEEDLE			
14	+	V307-000060	2	WASHER,CIRCULAR 10			
15		A011-000120	1	CRANKSHAFT,ASM			
16		P021-002471	1	CRANKCASE SET			
17	+	100213-05530	1	OILSEAL	ISCD 12 22 7		
18	+	94035-36201	1	BEARING BALL	6201X3JR2C3		
19	+	900810-36202	1	BEARING, BALL 6202	6202/C3		
20	+	V102-000001	1	GASKET,CRANKCASE			
21	+	100215-03930	4	PIN, DOWEL			
22	+	100213-00310	1	OILSEAL	ISCD 15 25 7		
23	+	900162-05035	4	BOLT, H.S. 5*35	5*35 W,SW		
34		91118-05020	4	BOLT	CM-5*20		
35		A172-000930	1	COVER,FAN			
36		91121-05020	1	BOLT, FLANGE	10.9 SILVER		
37		V353-000020	1	COLLAR,5	12*5.5*4.5L		
38		A162-000020	1	GUARD, TOP			
39		P021-035470	1	COVER,CYLINDER			
40		X503-009990	1	LABEL,MODEL	CL520		
41		91121-05012	1	BOLT, FLANGE	10.9 SILVER		

## 2. MAGNETO, CLUTCH



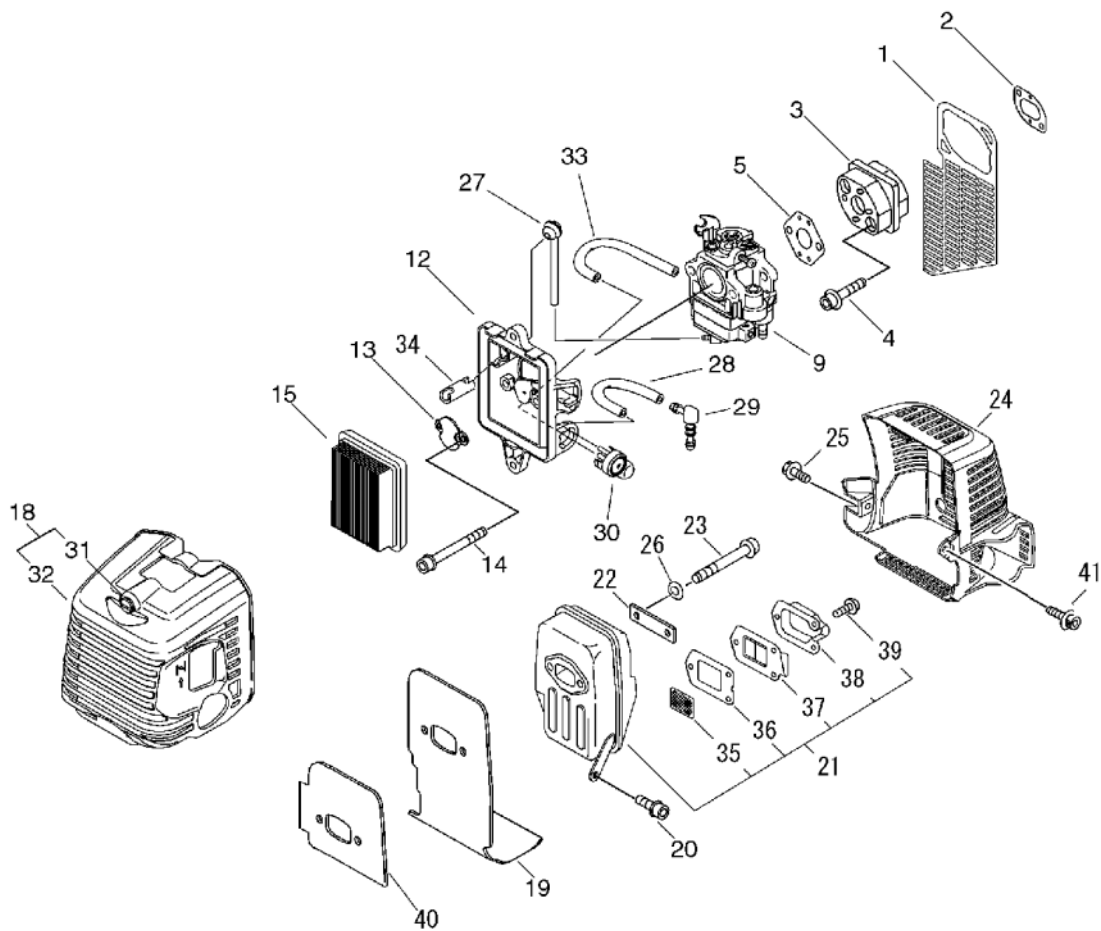
KEY	LV	PART NUMBER	Q'TY	DESCRIPTION	REMARKS	NOTE1	NOTE2
1		A427-000000	1	CAP, SPARK PLUG			
2		A426-000000	1	TERMINAL, SPARK PLUG			
3		159010-10230	1	PLUG, SPARK (BPMR-7A)	BPMR-7A		
4		V141-000020	1	GROMMET, PLUG			
5		V475-001610	1	TUBE	7*8.6*55 HST-10		
6		156114-04920	1	GROMMET			
8		162010-55630	1	LEAD, GROUND	170L		
9		900162-05020	2	BOLT, H.S. 5*20	5*20 W, SW		
10		A411-000480	1	COIL, IGNITION			
11		P021-016610	1	CLUTCH ASY			
12	+	A557-000000	2	SHAFT, CLUTCH			
13	+	V451-000480	1	SPRING, TENSION			
14	+	175049-03920	2	WASHER			
15	+	A553-000040	2	ARM, CLUTCH			
16	+	V453-000100	1	SPRING, FLAT	10.2		
17		900519-00010	1	NUT, FLANGE 10	10*1.25		
18		A409-000380	1	ROTOR, MAGNETO			
19		900323-03014	1	KEY WOODRUFF	3*14		

3. RECOIL STARTER



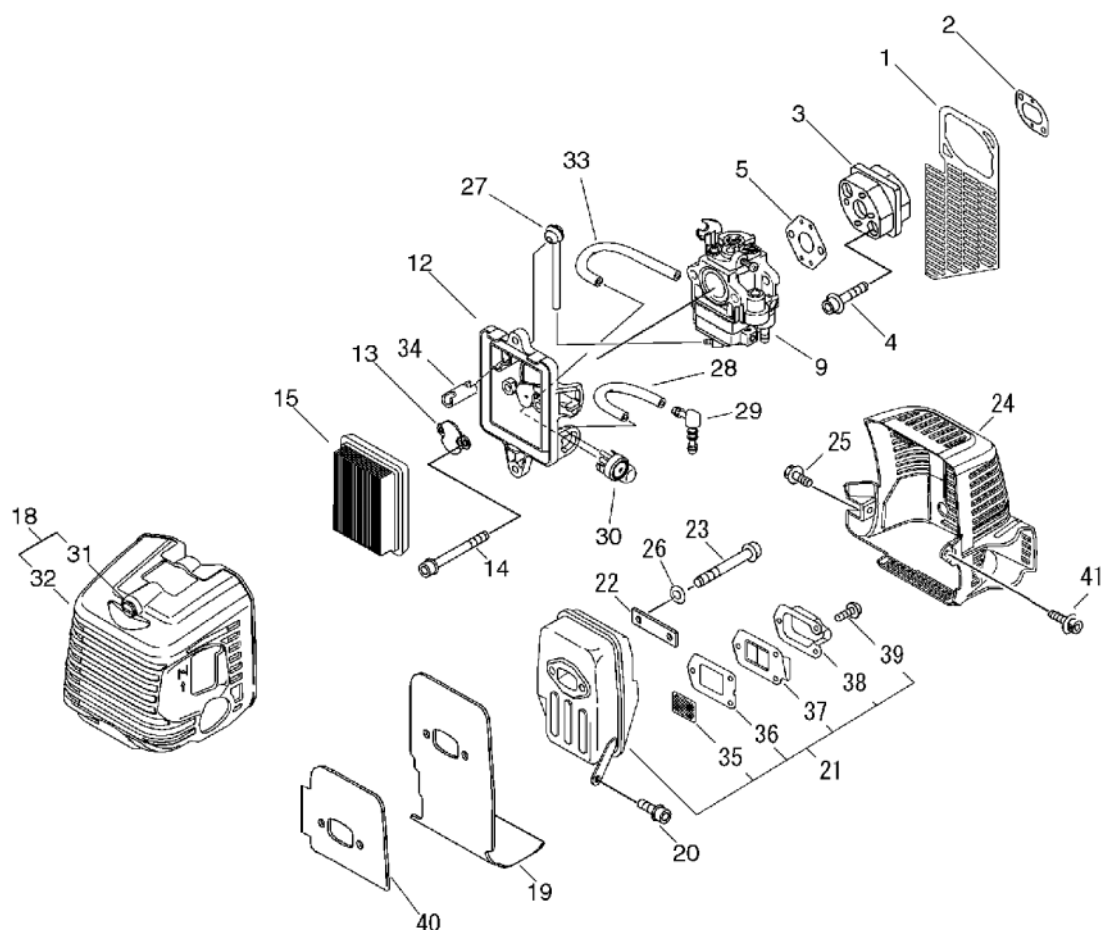
KEY	LV	PART NUMBER	Q'TY	DESCRIPTION	REMARKS	NOTE1	NOTE2
19		A052-000230	1	PULLEY,ASM STARTER			
20	+	P022-002100	2	E-RING	4		
21	+	P022-003130	2	SPRING, RETURN			
22	+	P022-023090	2	PAWL, STARTER			
23		A051-001440	1	STARTER,RECOIL			
24	+	P022-023110	1	SCREW			
25	+	P022-023130	1	PLATE, CAM			
26	+	P022-023120	1	SPRING,DAMPER			
28	+	177228-27030	1	GRIP, STARTER			
29	+	P022-023100	1	ROPE, STARTER			
30	+	P022-023140	1	DRUM, STARTER			
31	+	P022-004680	1	SPRING, SPIRAL			
33		91121-05020	1	BOLT, FLANGE	10.9 SILVER		
35		X503-010000	1	LABEL,MODEL	CL520		

## 4. AIR CLEANER, CARBURETOR, MUFFLER



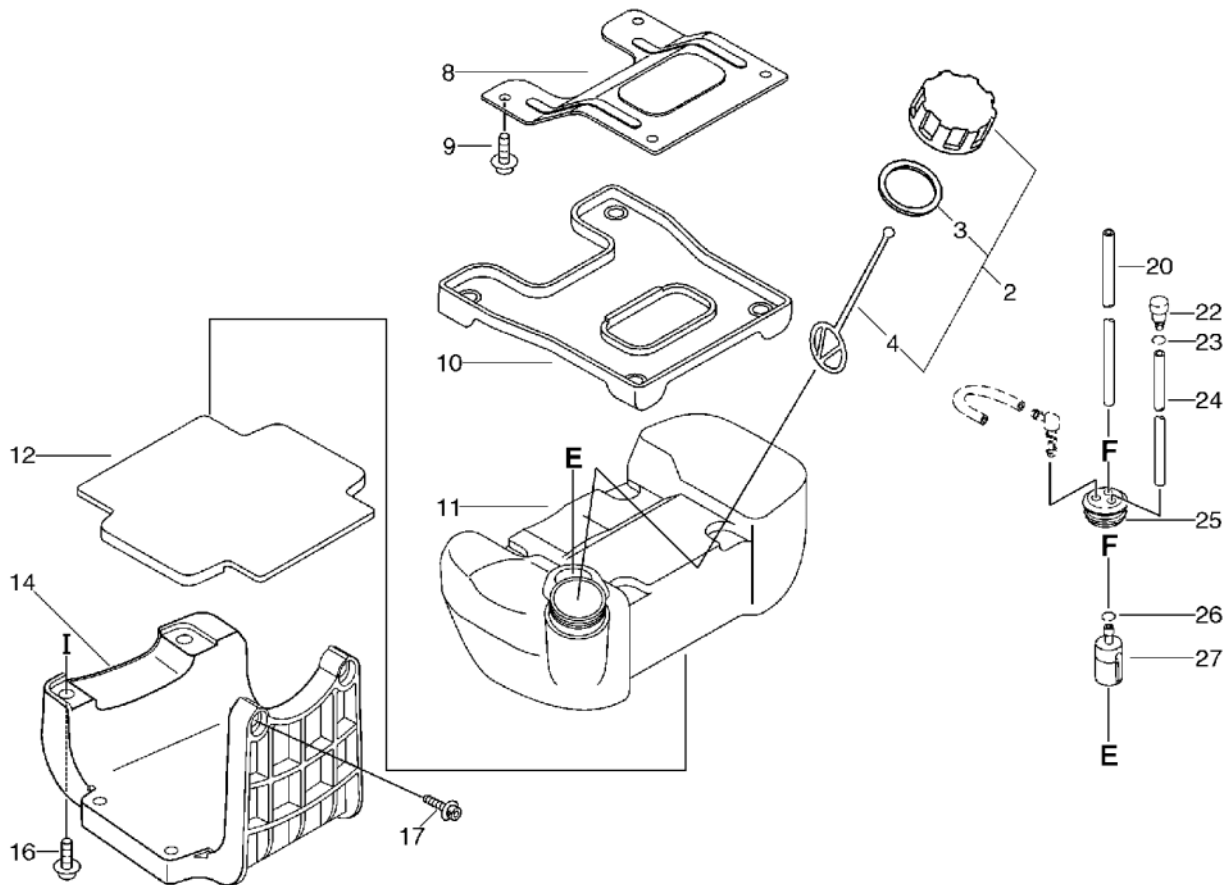
KEY	LV	PART NUMBER	Q'TY	DESCRIPTION	REMARKS	NOTE1	NOTE2
1		A128-000060	1	PLATE,DUST			
2		V103-000070	1	GASKET,INTAKE			
3		A200-000060	1	INSULATOR,INTAKE			
4		900106-05025	2	BOLT, H.S. 5*25	5*25		
5		V103-000080	1	GASKET,INTAKE			
9		A021-001860	1	CARBURETOR,DIAPHRAGM	WYK-341		
12		P021-034340	1	CASE, AIR CLEANER			
13		A244-000010	1	PLATE,PREVENT			
14		900105-05055	2	BOLT, H.S. 5*55	5*55		
15		A226-000360	1	ELEMENT, AIR FILTER	AFP-2010K-300		
18		P021-035830	1	LID,CLEANER ASY			
31	+	V253-000100	2	SCREW,5	5*20		
32	+	A232-001390	1	LID,CLEANER			
19		V104-000930	1	GASKET,EXHAUST	T:1.0		
20		900162-05012	1	BOLT, H.S. 5*12	5*12 W,SW		
21		P021-016880	1	MUFFLER ASY			
35	+	A310-000110	1	SCREEN, ARRESTOR			
36	+	145866-42031	1	GASKET, MUFFLER LID			
37	+	A313-000300	1	GUIDE,EXH			
38	+	A313-001060	1	GUIDE, EXHAUST			
39	+	900242-04010	3	SCREW 4*10	4*10		
22		V150-000550	1	PLATE,EYE			
23		91100-06070	2	BOLT HSH	CB-6*70		
24		P021-041880	1	COVER, MUFFLER			
25		91121-05012	1	BOLT, FLANGE	10.9 SILVER		

## 4. AIR CLEANER, CARBURETOR, MUFFLER



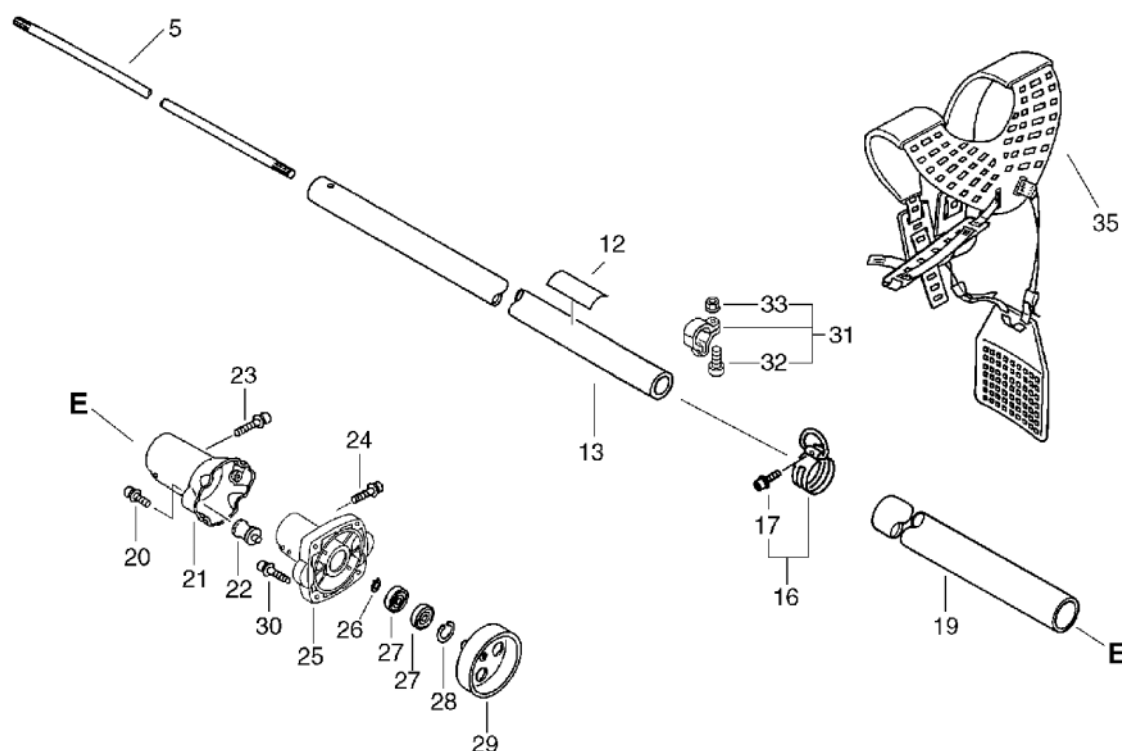
KEY	LV	PART NUMBER	Q'TY	DESCRIPTION	REMARKS	NOTE1	NOTE2
26		900628-00006	2	WASHER, SPRING 6	6		
27		132012-39331	1	PIPE	3*6*105		
28		437215-20760	1	PIPE 3*6*60	3*6*60 YL		
29		V186-000080	1	JOINT, PIPE			
30		123181-39130	1	PUMP, PRIMER			
33		V471-001560	1	PIPE	2.4*5*80		
34		A239-000050	1	PIPE, INTAKE			
40		A312-000000	1	PLATE, EXHUST			
41		91121-05020	1	BOLT, FLANGE	10.9 SILVER		

## 5. FUEL TANK



KEY	LV	PART NUMBER	Q'TY	DESCRIPTION	REMARKS	NOTE1	NOTE2
2		P021-014060	1	CAP, FUEL ASSY			
3	+	131016-55830	1	GASKET, FUEL CAP			
4	+	131051-56030	1	CLIP, FUEL CAP	100L		
8		A393-000030	1	BRACKET, FUEL TANK			
9		900106-05012	4	BOLT, H.S. 5*12	5*12		
10		A390-000000	1	SEAT, FUEL TANK			
11		A350-000131	1	TANK, FUEL			
12		A390-000010	1	SEAT, FUEL TANK			
14		A393-000050	1	BRACKET, FUEL TANK			
16		91121-05020	2	BOLT, FLANGE	10.9 SILVER		
17		91121-05025	2	BOLT, FLANGE	10.9 SILVER		
20		132010-53630	1	PIPE	3*6*180 NBR		
22		131300-56430	1	VALVE, CHECK			
23		132013-26630	1	CLIP	6.5MM		
24		132012-02960	1	PIPE, FUEL	3*6*120L		
25		132115-55930	1	GROMMET, FUEL			
26		132013-26630	1	CLIP	6.5MM		
27		131205-19831	1	STRAINER, FUEL			

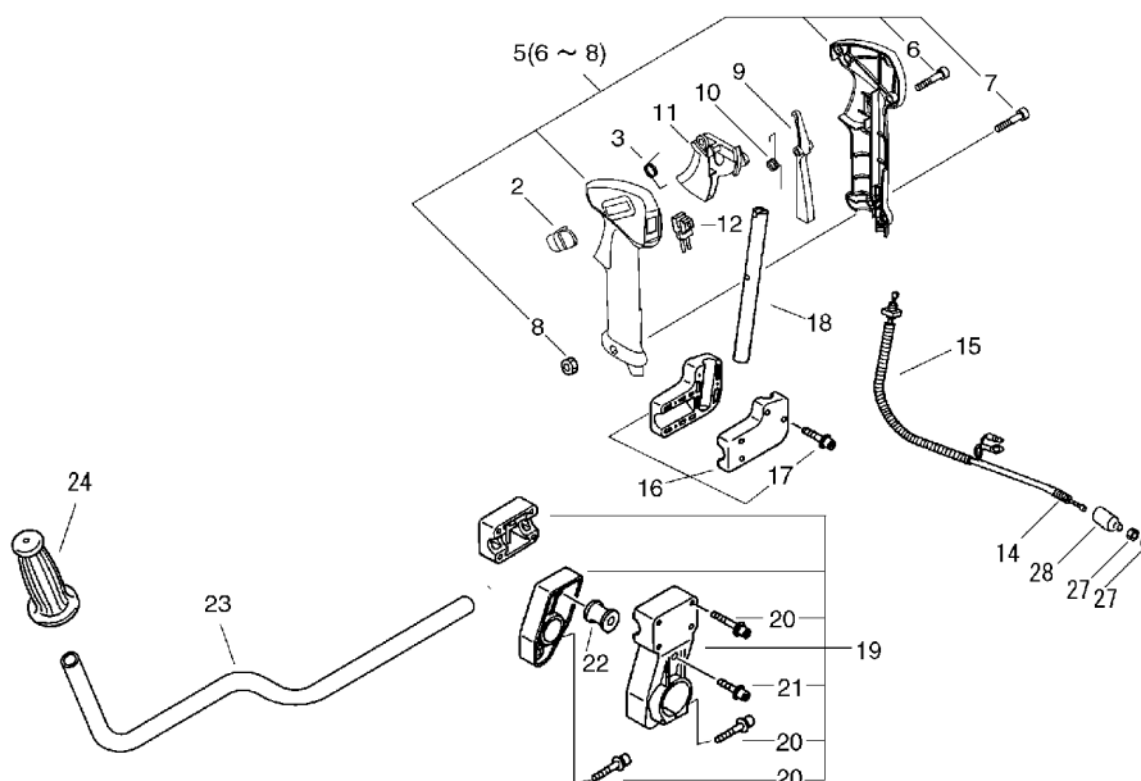
## 6. MAIN PIPE



KEY	LV	PART NUMBER	Q'TY	DESCRIPTION	REMARKS	NOTE1	NOTE2
5		610011-51530	1	SHAFT, DRIVE			
12		890617-43130	1	LABEL, CAUTION			
13		C050-000610	1	PIPE, MAIN	35*1530		
16		P021-012710	1	HOOK			
17	+	91118-05020	1	BOLT	CM-5*20		
19		C500-000420	1	PIPE, MAIN			
21		A575-000170	1	FIXTURE, MAIN PIPE			
22		100905-51530	2	CUSHION			
23		91118-05035	1	BOLT			
24		91118-05030	2	BOLT			
25		A570-000180	1	CASE, CLUTCH			
26		900701-00015	1	CIRCLIP 15	CS-15		
27		900819-06202	2	BEARING, BALL 6202	6202VV(LLB)		
28		900702-00035	1	CIRCLIP 35	CR-35		
29		A556-000290	1	DRUM, CLUTCH			
30		91118-05020	4	BOLT	CM-5*20		
31		P021-012650	1	HOOK ASY			
32	+	91118-05022	2	BOLT			
33	+	900516-00005	2	NUT, FRANGE 5	5		
35		C062-000320	1	HARNESS, SHOULDER			

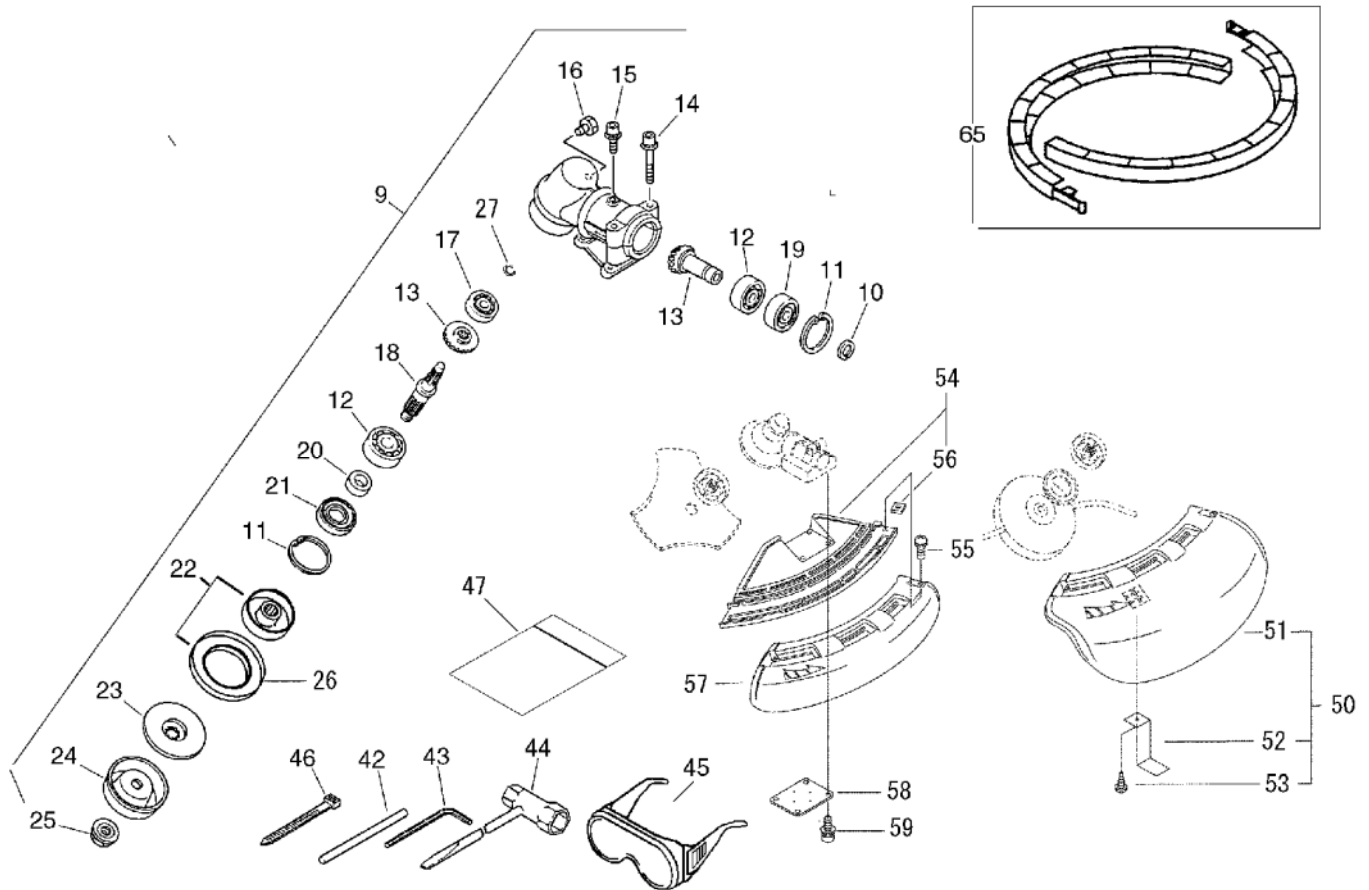


## 7. HANDLE



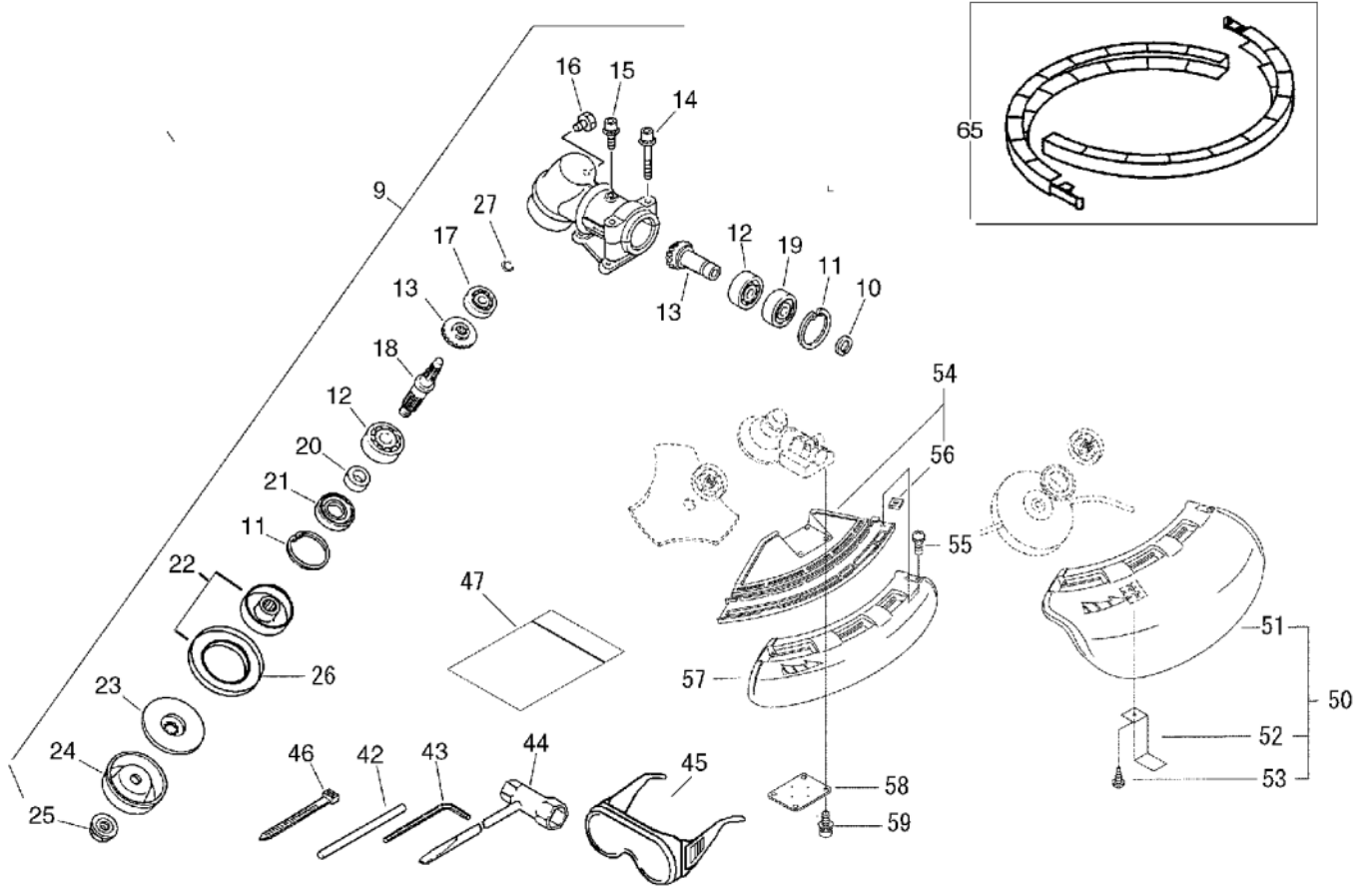
KEY	LV	PART NUMBER	Q'TY	DESCRIPTION	REMARKS	NOTE1	NOTE2
2		C463-000050	1	KNOB,LATCH			
3		V452-000060	1	SPRING,TORSION			
5		P021-041660	1	GRIP ASY,F-HANDLE			
6	+	900253-04016	3	SCREW 4*16	4*16		
7	+	900220-05030	1	SCREW 5*30	5*30		
8	+	900500-00005	1	NUT 5	5		
9		C460-000180	1	LOCKOUT,THROTTLE			
10		V452-000130	1	SPRING,TORSION			
11		C450-000420	1	TRIGGER,THROTTLE			
12		A440-001300	1	SWITCH, ON OFF			
14		V430-000960	1	CABLE,BOWDEN			
15		178127-43230	1	TUBE	7*820		
16		P021-012730	1	BRACKET ASY, HANDLE			
17	+	91118-05025	4	BOLT			
18		351210-47530	1	HANDLE, REAR			
19		P021-034430	1	BRACKET, HANDLE ASY			
20	+	91118-05035	6	BOLT			
21	+	91118-05014	4	BOLT			
22		100905-51530	2	CUSHION			
23		C400-000150	1	HANDLE,FRONT			
24		351213-47531	1	GRIP, HANDLE			
27		900502-00006	2	NUT 6 (3N)	3N6		
28		V494-000080	1	CAP			

## 8. GEAR CASE



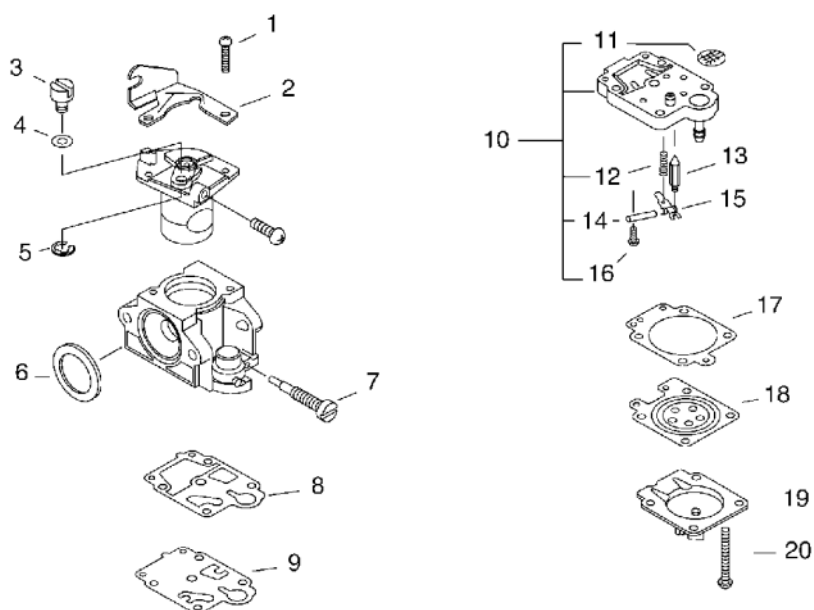
KEY	LV	PART NUMBER	Q'TY	DESCRIPTION	REMARKS	NOTE1	NOTE2
9		P021-017200	1	CASE ASY,GEAR			
10	+	900701-00015	1	CIRCLIP 15	CS-15		
11	+	900702-00035	2	CIRCLIP 35	CR-35		
12	+	94060-06202	2	BEARING, BALL	BB6202		
13	+	610300-47530	1	GEAR SET			
14	+	91118-05035	2	BOLT			
15	+	91119-05012	1	BOLT			
16	+	610434-50031	1	BOLT 8*8	M8*8		
17	+	94060-06001	1	BEARING, BALL	BB6001		
18	+	C534-000520	1	SHAFT, GEAR			
19	+	94063-06202	1	BEARING, BALL	BB6202Z		
20	+	610334-06230	1	SPACER, OILSEAL			
21	+	610413-47530	1	OILSEAL IS 20 35 7			
22	+	C535-000441	1	FIXTURE, BLADE			
26	++	610352-56830	1	PLATE, CUP			
23	+	C535-000460	1	FIXTURE, BLADE			
24	+	V151-000040	1	PLATE,CUP			
25	+	610320-47530	1	NUT, LOCK			
27	+	900701-00012	1	CIRCLIP 12	CS-12		
42		X606-000080	1	TOOL,BAR	5*120		
43		895610-00130	1	L-WRENCH (4MM)			
44		X602-000020	1	TOOL,WRENCH	17*19 L200		
45		X690-000030	1	GOGGLE			
46		178121-43230	1	BAND	CV-150 BL		
47		898510-07130	1	BAG, TOOL			
50		P021-034370	1	SHIELD KIT			

8. GEAR CASE



KEY	LV	PART NUMBER	Q'TY	DESCRIPTION	REMARKS	NOTE1	NOTE2
51	+	C550-000310	1	SHIELD,BLADE			
52	+	C554-000030	1	KNIFE, CORD			
53	+	900252-05012	1	SCREW 5*12			
54		C550-000330	1	SHIELD,BLADE			
56	+	900565-00005	1	NUT	5		
55		900242-05018	1	SCREW 5*18	5*18		
57		C550-000320	1	SHIELD,BLADE			
58		699013-56830	1	PLATE, SHIELD			
59		91118-05025	4	BOLT			
65		P021-007470	1	SCABBARD,BLADE			

## 9. CARBURETOR



KEY	LV	PART NUMBER	Q'TY	DESCRIPTION	REMARKS	NOTE1	NOTE2
		A021-001860	1	CARBURETOR,DIAPHRAGM	WYK-341		
1	+	123114-40630	2	SCREW			
2	+	P003-000180	1	BRACKET CABLE			
3	+	123172-45130	1	SWIVEL			
4	+	123149-54230	1	WASHER			
5	+	123173-07930	1	CLIP			
6	+	123143-12110	1	RING, PACKING			
7	+	P003-001130	1	NEEDLE, HIGH SPEED			
8	+	P003-000100	1	GASKET, PUMP			
9	+	123112-40630	1	DIAPHRAGM, PUMP			
10	+	P003-001490	1	BODY ASSEMBLY, PUMP			
11	++	123126-10631	1	SCREEN, INLET			
12	++	123122-05560	1	SPRING, METER. LEVER			
13	++	123138-03930	1	PIN, METERING LEVER			
14	++	123138-03930	1	PIN, METERING LEVER			
15	++	123123-03930	1	LEVER, METERING			
16	++	123139-05560	1	SCREW, M. LEVER PIN			
17	+	123140-27230	1	GASKET,M. DIAPHRAGM			
18	+	P003-001850	1	DIAPHRAGM, METERING			
19	+	P003-001500	1	COVER, PRIMER PUMP			
20	+	123144-44330	4	SCREW			

**Index**

<b>Patrs Number</b>	<b>Key No.</b>	<b>Patrs Number</b>	<b>Key No.</b>	<b>Patrs Number</b>	<b>Key No.</b>
100012-12331	1 - 13	699013-56830	8 - 58	91121-05025	5 - 17
100213-00310	1 - 22	890617-43130	6 - 12	94035-36201	1 - 18
100213-05530	1 - 17	895610-00130	8 - 43	94060-06001	8 - 17
100215-03930	1 - 21	898510-07130	8 - 47	94060-06202	8 - 12
100905-51530	6 - 22	900105-05055	4 - 14	94063-06202	8 - 19
100905-51530	7 - 22	900106-05012	5 - 9	A011-000120	1 - 15
123112-40630	9 - 9	900106-05025	4 - 4	A021-001860	4 - 9
123114-40630	9 - 1	900162-05012	4 - 20	A021-001860	9 -
123122-05560	9 - 12	900162-05020	1 - 3	A051-001440	3 - 23
123123-03930	9 - 15	900162-05020	2 - 9	A052-000230	3 - 19
123126-10631	9 - 11	900162-05035	1 - 23	A101-000220	1 - 10
123138-03930	9 - 13	900220-05030	7 - 7	A128-000060	4 - 1
123138-03930	9 - 14	900242-04010	4 - 39	A130-000960	1 - 2
123139-05560	9 - 16	900242-05018	8 - 55	A162-000020	1 - 38
123140-27230	9 - 17	900252-05012	8 - 53	A172-000930	1 - 35
123143-12110	9 - 6	900253-04016	7 - 6	A200-000060	4 - 3
123144-44330	9 - 20	900323-03014	2 - 19	A226-000360	4 - 15
123149-54230	9 - 4	900500-00005	7 - 8	A232-001390	4 - 32
123172-45130	9 - 3	900502-00006	7 - 27	A239-000050	4 - 34
123173-07930	9 - 5	900516-00005	6 - 33	A244-000010	4 - 13
123181-39130	4 - 30	900519-00010	2 - 17	A310-000110	4 - 35
131016-55830	5 - 3	900565-00005	8 - 56	A312-000000	4 - 40
131051-56030	5 - 4	900628-00006	4 - 26	A313-000300	4 - 37
131205-19831	5 - 27	900701-00012	8 - 27	A313-001060	4 - 38
131300-56430	5 - 22	900701-00015	6 - 26	A350-000131	5 - 11
132010-53630	5 - 20	900701-00015	8 - 10	A390-000000	5 - 10
132012-02960	5 - 24	900702-00035	6 - 28	A390-000010	5 - 12
132012-39331	4 - 27	900702-00035	8 - 11	A393-000030	5 - 8
132013-26630	5 - 23	900810-36202	1 - 19	A393-000050	5 - 14
132013-26630	5 - 26	900819-06202	6 - 27	A409-000380	2 - 18
132115-55930	5 - 25	91100-06070	4 - 23	A411-000480	2 - 10
145866-42031	4 - 36	91118-05014	7 - 21	A426-000000	2 - 2
156114-04920	2 - 6	91118-05020	1 - 34	A427-000000	2 - 1
159010-10230	2 - 3	91118-05020	6 - 17	A440-001300	7 - 12
162010-55630	2 - 8	91118-05020	6 - 30	A553-000040	2 - 15
175049-03920	2 - 14	91118-05022	6 - 32	A556-000290	6 - 29
177228-27030	3 - 28	91118-05025	7 - 17	A557-000000	2 - 12
178121-43230	8 - 46	91118-05025	8 - 59	A570-000180	6 - 25
178127-43230	7 - 15	91118-05030	6 - 24	A575-000170	6 - 21
351210-47530	7 - 18	91118-05035	6 - 23	C050-000610	6 - 13
351213-47531	7 - 24	91118-05035	7 - 20	C062-000320	6 - 35
437215-20760	4 - 28	91118-05035	8 - 14	C400-000150	7 - 23
610011-51530	6 - 5	91119-05012	8 - 15	C450-000420	7 - 11
610300-47530	8 - 13	91121-05012	1 - 41	C460-000180	7 - 9
610320-47530	8 - 25	91121-05012	4 - 25	C463-000050	7 - 2
610334-06230	8 - 20	91121-05020	1 - 36	C500-000420	6 - 19
610352-56830	8 - 26	91121-05020	3 - 33	C534-000520	8 - 18
610413-47530	8 - 21	91121-05020	4 - 41	C535-000441	8 - 22
610434-50031	8 - 16	91121-05020	5 - 16	C535-000460	8 - 23

**Index**

<b>Patrs Number</b>	<b>Key No.</b>	<b>Patrs Number</b>	<b>Key No.</b>	<b>Patrs Number</b>	<b>Key No.</b>
C550-000310	8 - 51	V451-000480	2 - 13		
C550-000320	8 - 57	V452-000060	7 - 3		
C550-000330	8 - 54	V452-000130	7 - 10		
C554-000030	8 - 52	V453-000100	2 - 16		
P003-000100	9 - 8	V471-001560	4 - 33		
P003-000180	9 - 2	V475-001610	2 - 5		
P003-001130	9 - 7	V494-000080	7 - 28		
P003-001490	9 - 10	V580-000010	1 - 12		
P003-001500	9 - 19	V608-000000	1 - 11		
P003-001850	9 - 18	X503-009990	1 - 40		
P021-002471	1 - 16	X503-010000	3 - 35		
P021-007470	8 - 65	X602-000020	8 - 44		
P021-012650	6 - 31	X606-000080	8 - 42		
P021-012710	6 - 16	X690-000030	8 - 45		
P021-012730	7 - 16				
P021-014060	5 - 2				
P021-016610	2 - 11				
P021-016630	1 - 9				
P021-016880	4 - 21				
P021-017200	8 - 9				
P021-034340	4 - 12				
P021-034370	8 - 50				
P021-034430	7 - 19				
P021-035470	1 - 39				
P021-035830	4 - 18				
P021-041660	7 - 5				
P021-041880	4 - 24				
P022-002100	3 - 20				
P022-003130	3 - 21				
P022-004680	3 - 31				
P022-023090	3 - 22				
P022-023100	3 - 29				
P022-023110	3 - 24				
P022-023120	3 - 26				
P022-023130	3 - 25				
P022-023140	3 - 30				
V100-000280	1 - 4				
V102-000001	1 - 20				
V103-000070	4 - 2				
V103-000080	4 - 5				
V104-000930	4 - 19				
V141-000020	2 - 4				
V150-000550	4 - 22				
V151-000040	8 - 24				
V186-000080	4 - 29				
V253-000100	4 - 31				
V307-000060	1 - 14				
V353-000020	1 - 37				
V430-000960	7 - 14				

# **YAMABIKO CORPORATION**

7-2 SUEHIROCHO 1-CHOME, OHME, TOKYO 198-8760, JAPAN  
PHONE: 81-428-32-6118. FAX: 81-428-32-6145.

**shindaiwa<sup>®</sup>**

09Mb  
No. 67-054