

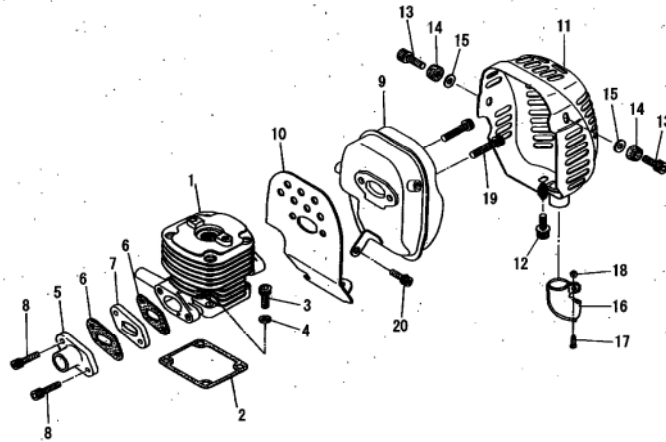
**shindaiwa<sup>®</sup>**

# **PARTS CATALOGUE**

**BRUSHCUTTER**

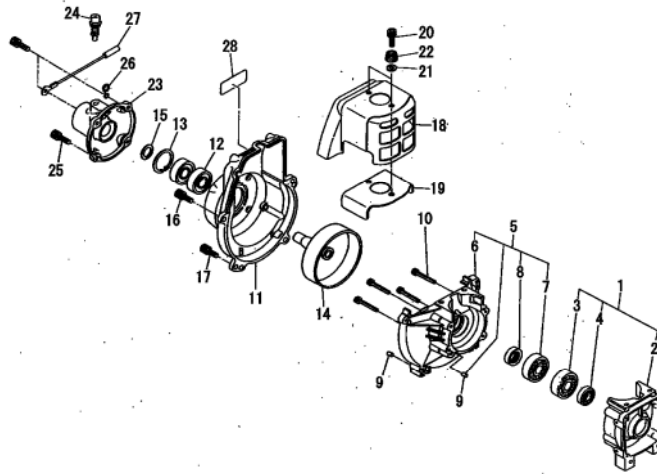
**BP45 EC1**

# 1. CYLINDER, MUFFLER



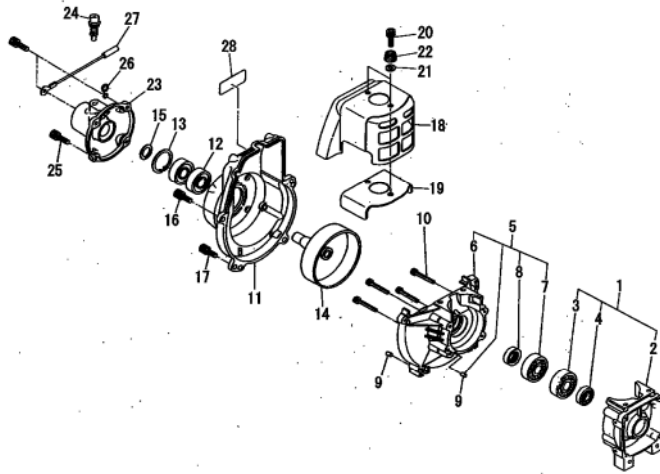
| KEY | LV | PART NUMBER | Q'TY | DESCRIPTION      | REMARKS | NOTE1 | NOTE2 |
|-----|----|-------------|------|------------------|---------|-------|-------|
| 1   |    | 70198-12110 | 1    | CYLINDER         |         |       |       |
| 2   |    | 20010-12121 | 1    | GASKET CYLINDER  |         |       |       |
| 3   |    | 01020-05250 | 4    | BOLT             |         | M5x25 |       |
| 4   |    | 01600-05131 | 4    | SPRING WASHER    |         | 5mm   |       |
| 5   |    | 20051-12211 | 1    | INLET PIPE       |         |       |       |
| 6   |    | 20051-12221 | 2    | GASKET INSULATOR |         |       |       |
| 7   |    | 20051-12230 | 1    | INSULATOR        |         |       |       |
| 8   |    | 11022-05250 | 2    | BOLT SPW         |         | M5x25 |       |
| 9   |    | 70199-15110 | 1    | MUFFLER          |         |       |       |
| 10  |    | 70210-15212 | 1    | GASKET           |         |       |       |
| 11  |    | 70199-15312 | 1    | MUFFLER GUARD    |         |       |       |
| 12  |    | 11024-05100 | 1    | BOLT SLPW        |         | M5x10 |       |
| 13  |    | 11020-05100 | 2    | BOLT SW          |         | M5x10 |       |
| 14  |    | 70196-32160 | 2    | COVER            |         |       |       |
| 15  |    | 70196-32150 | 2    | WASHER           |         |       |       |
| 16  |    | 20050-15410 | 1    | TAIL PIPE        |         |       |       |
| 17  |    | 11203-04100 | 1    | SCREW PM         |         | M4x10 |       |
| 18  |    | 01500-04031 | 1    | NUT              |         | M4    |       |
| 19  |    | 01020-06250 | 2    | BOLT             |         | M6x25 |       |
| 20  |    | 11024-05120 | 1    | BOLT SLPW        |         | M5x12 |       |

## 2. CRANKCASE, FANCOVER



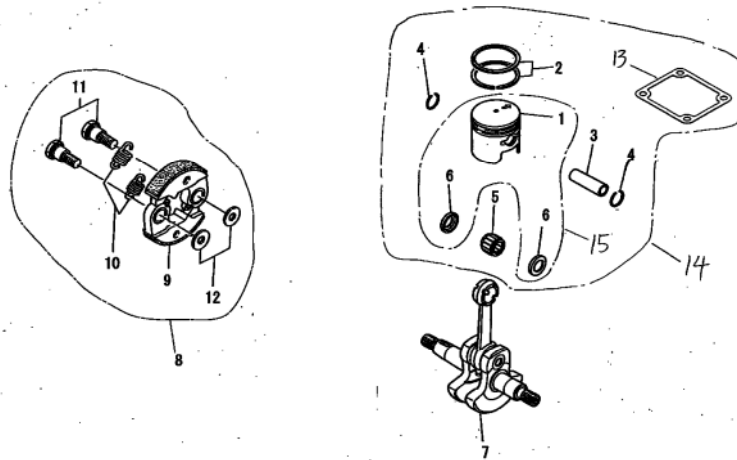
| KEY | LV | PART NUMBER | Q'TY | DESCRIPTION       | REMARKS | NOTE1   | NOTE2 |
|-----|----|-------------|------|-------------------|---------|---------|-------|
| 1   |    | 20051-21100 | 1    | CRANK CASE S COMP |         |         |       |
| 2   | •  | 20051-21110 | 1    | CRANK CASE S      |         |         |       |
| 3   | •  | 12900-62020 | 1    | BEARING           |         | 6202,C3 |       |
| 4   | •  | 20010-21211 | 1    | OIL SEAL          |         |         |       |
| 5   |    | 20051-21200 | 1    | CRANK CASE M COMP |         |         |       |
| 6   | •  | 70012-21121 | 1    | CRANK CASE M      |         |         |       |
| 7   | •  | 12900-62020 | 1    | BEARING           |         | 6202,C3 |       |
| 8   | •  | 20010-21211 | 1    | OIL SEAL          |         |         |       |
| 9   | •  | 12492-50100 | 4    | ROLLER            |         | φ5xL10  |       |
| 10  |    | 01020-05300 | 4    | BOLT              |         | M5x30   |       |
| 11  |    | 70012-31111 | 1    | FAN COVER         |         |         |       |
| 12  |    | 02006-06002 | 2    | BEARING           |         | 6002DDU |       |
| 13  |    | 02432-32120 | 1    | SNAP RING         |         | 32mm C  |       |
| 14  |    | 20050-31210 | 1    | CLUTCH DRUM       |         |         |       |
| 15  |    | 20011-31230 | 1    | SNAP RING         |         |         |       |
| 16  |    | 11022-05200 | 2    | BOLT SPW          |         | M5x20   |       |
| 17  |    | 11022-05350 | 2    | BOLT SPW          |         | M5x35   |       |
| 18  |    | 70196-32110 | 1    | CYLINDER COVER    |         |         |       |
| 19  |    | 70196-32141 | 1    | GASKET            |         |         |       |
| 20  |    | 11020-05140 | 2    | BOLT SW           |         | M5x14   |       |
| 21  |    | 70196-32150 | 2    | WASHER            |         |         |       |
| 22  |    | 70196-32160 | 2    | COVER             |         |         |       |
| 23  |    | 20051-35130 | 1    | JOINT CASE        |         |         |       |
| 24  |    | 20112-35200 | 1    | PIN COMP          |         |         |       |
| 25  |    | 11022-05200 | 4    | BOLT SPW          |         | M5x20   |       |
| 26  |    | 20024-83152 | 1    | CABLE HOLDER      |         |         |       |

2. CRANKCASE, FANCOVER



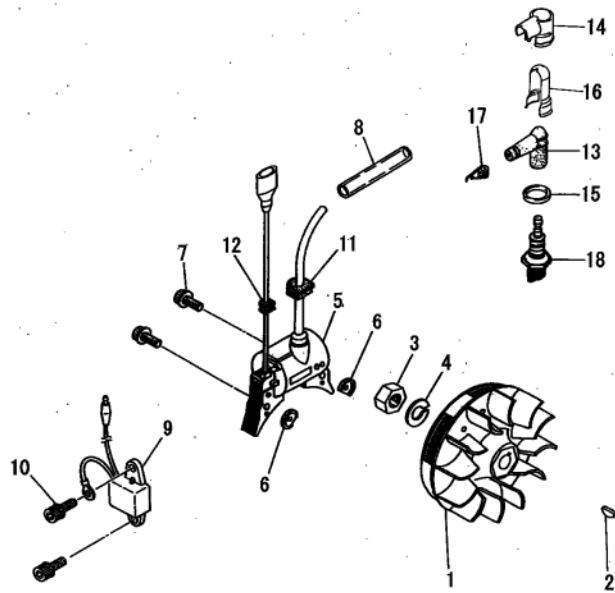
| KEY | LV | PART NUMBER | Q'TY | DESCRIPTION  | REMARKS | NOTE1 | NOTE2 |
|-----|----|-------------|------|--------------|---------|-------|-------|
| 27  |    | 70056-83140 | 1    | EARTH CORD B |         |       |       |
| 28  |    | 70112-31150 | 1    | NAME PLATE   |         |       |       |

### 3. PISTON, CRANKSHAFT, CLUTCH



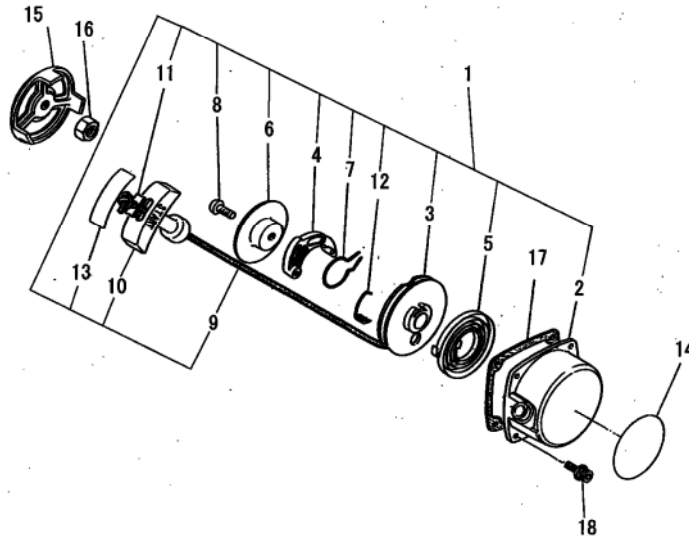
| KEY | LV | PART NUMBER | Q'TY | DESCRIPTION      | REMARKS | NOTE1 | NOTE2 |
|-----|----|-------------|------|------------------|---------|-------|-------|
| 14  |    | 72080-98011 | 1    | PISTON SET       |         |       |       |
| 15  | ▪  | 72080-98310 | 1    | PISTON SET       |         |       |       |
| 1   | ▪▪ | 20021-41113 | 1    | PISTON           |         |       |       |
| 6   | ▪▪ | 20021-41342 | 2    | THRUST WASHER    |         |       |       |
| 2   | ▪  | 20021-41210 | 2    | PISTON RING      |         |       |       |
| 3   | ▪  | 20021-41311 | 1    | PISTON PIN       |         |       |       |
| 4   | ▪  | 22152-41231 | 2    | SNAP RING        |         |       |       |
| 5   | ▪  | 20021-41330 | 1    | BEARING SE       |         |       |       |
| 13  | ▪  | 20010-12121 | 1    | GASKET CYLINDER  |         |       |       |
| 7   |    | 20021-42002 | 1    | CRANK SHAFT ASSY |         |       |       |
| 8   |    | 20050-51102 | 1    | CLUTCH SHOE ASSY |         |       |       |
| 9   | ▪  | 20050-51111 | 2    | CLUTCH SHOE      |         |       |       |
| 10  | ▪  | 20050-51121 | 2    | CLUTCH SPRING    |         |       |       |
| 11  |    | 20010-51130 | 2    | CLUTCH BOLT      |         |       |       |
| 12  |    | 20010-51141 | 2    | WASHER           |         |       |       |

4. MAGNETO



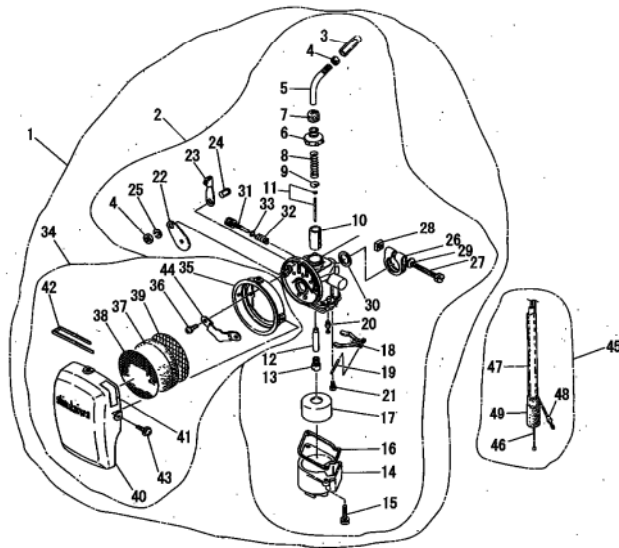
| KEY | LV | PART NUMBER | Q'TY | DESCRIPTION       | REMARKS | NOTE1      | NOTE2 |
|-----|----|-------------|------|-------------------|---------|------------|-------|
| 1   |    | 20010-71201 | 1    | ROTOR             |         |            |       |
| 2   |    | 02403-03100 | 1    | KEY               | 3*10    | 3x10 A     |       |
| 3   |    | 01511-10061 | 1    | NUT               |         | M10        |       |
| 4   |    | 01600-10251 | 1    | SPRING WASHER     |         | 10mm       |       |
| 5   |    | 20011-71611 | 1    | COIL              |         |            |       |
| 6   |    | 20010-71631 | 2    | SPACER COIL       |         |            |       |
| 7   |    | 11024-04261 | 2    | BOLT              |         | M4x26-12.9 |       |
| 8   |    | 20011-71660 | 1    | TUBE              |         |            |       |
| 9   |    | 72920-71711 | 1    | UNIT              |         |            |       |
| 10  |    | 11024-04120 | 2    | BOLT SPW          |         | M4x12      |       |
| 11  |    | 20011-72110 | 1    | GROMMET           |         |            |       |
| 12  |    | 20011-72120 | 1    | GROMMET           |         |            |       |
| 13  |    | 20010-72221 | 1    | PLUG CAP          |         |            |       |
| 14  |    | 20000-72241 | 1    | PLUG CAP COVER    |         |            |       |
| 15  |    | 20000-72250 | 1    | COVER BAND        |         |            |       |
| 16  |    | 70180-72260 | 1    | SHIELD            |         |            |       |
| 17  |    | 20000-72230 | 1    | SPRING SPARK PLUG |         |            |       |
| 18  |    | 13000-13406 | 1    | SPARK PLUG BMR6A  |         | BMR6A      |       |

5. RECOIL STARTER



| KEY | LV | PART NUMBER | Q'TY | DESCRIPTION       | REMARKS | NOTE1 | NOTE2 |
|-----|----|-------------|------|-------------------|---------|-------|-------|
| 1   |    | 7002075900  | 1    | RECOIL STARTER-SA |         |       |       |
| 2   | •  | 70020-75110 | 1    | STARTER CASE      |         |       |       |
| 3   | •  | 20020-75120 | 1    | REEL              |         |       |       |
| 4   | •  | 20000-75130 | 1    | RATCHET           |         |       |       |
| 5   | •  | 20020-75140 | 1    | RECOIL SPRING     |         |       |       |
| 6   | •  | 20000-75150 | 1    | PLATE FRICTION    |         |       |       |
| 7   | •  | 20000-75160 | 1    | SPRING FRICTION   |         |       |       |
| 8   | •  | 20000-75170 | 1    | SCREW             |         |       |       |
| 9   | •  | 20020-75180 | 1    | ROPE              |         |       |       |
| 10  | •  | 20010-75190 | 1    | STARTER KNOB      |         |       |       |
| 11  | •  | 20010-75210 | 1    | STOPPER           |         |       |       |
| 12  | •  | 20000-75220 | 1    | RETURN SPRING     |         |       |       |
| 13  | •  | 20010-75230 | 1    | TAPE              |         |       |       |
| 14  |    | 70020-75240 | 1    | NAME PLATE        |         |       |       |
| 15  |    | 70000-75230 | 1    | STARTER PULLEY    |         |       |       |
| 16  |    | 20000-76210 | 1    | NUT               |         |       |       |
| 17  |    | 20020-76111 | 1    | GASKET STARTER    |         |       |       |
| 18  |    | 11022-04160 | 4    | BOLT SPW          |         | M4x16 |       |

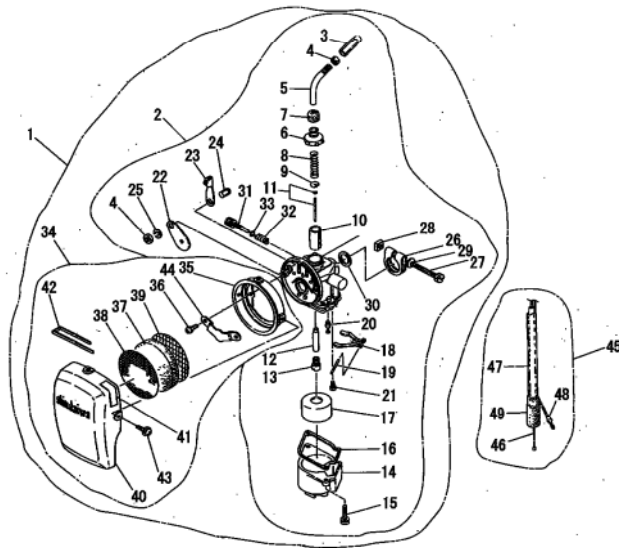
## 6. CARBURETOR, CLEANER



| KEY | LV  | PART NUMBER | Q'TY | DESCRIPTION          | REMARKS | NOTE1 | NOTE2 |
|-----|-----|-------------|------|----------------------|---------|-------|-------|
| 1   |     | 62106-81010 | 1    | CARBURETOR ASSY      |         |       |       |
| 2   | •   | 62106-81310 | 1    | CARBURETOR BODY ASSY |         |       |       |
| 3   | • • | 20055-81810 | 1    | CABLE ADJUSTER       |         |       |       |
| 4   | • • | 20000-81260 | 2    | LOCK NUT             |         |       |       |
| 5   | • • | 20055-81830 | 1    | ADJUST PIPE          |         |       |       |
| 6   | • • | 20055-81120 | 1    | BODY CAP             |         |       |       |
| 7   | • • | 20055-81130 | 1    | CAP                  |         |       |       |
| 8   | • • | 20003-81140 | 1    | THROTTLE SPRING      |         |       |       |
| 9   | • • | 20000-81150 | 1    | SPRING RECEIVE       |         |       |       |
| 10  | • • | 70112-81180 | 1    | THROTTLE VALVE       |         |       |       |
| 11  | • • | 62106-81330 | 1    | JET NEEDLE           |         |       |       |
| 12  | • • | 20055-81232 | 1    | NEEDLE JET           |         |       |       |
| 13  | • • | 20045-81240 | 1    | MAIN JET             |         |       |       |
| 14  | • • | 20051-81311 | 1    | FLOAT CHAMBER        |         |       |       |
| 15  | • • | 20014-81320 | 2    | SCREW                |         |       |       |
| 16  | • • | 68503-81360 | 1    | PACKING              |         |       |       |
| 17  | • • | 20014-81340 | 1    | FLOAT                |         |       |       |
| 18  | • • | 20014-81350 | 1    | FLOAT HINGE          |         |       |       |
| 19  | • • | 20014-81360 | 1    | HINGE PIN            |         |       |       |
| 20  | • • | 20014-81381 | 1    | NEEDLE VALVE         |         |       |       |
| 21  | • • | 20014-81390 | 1    | SCREW                |         |       |       |
| 22  | • • | 20055-81410 | 1    | CHOKE PLATE          |         |       |       |
| 23  | • • | 20010-81420 | 1    | CHOKE LEVER          |         |       |       |
| 24  | • • | 20014-81430 | 1    | CHOKE BOLT           |         |       |       |
| 25  | • • | 20000-81250 | 1    | SPRING WASHER        |         |       |       |
| 26  | • • | 20014-81510 | 1    | BAND                 |         |       |       |

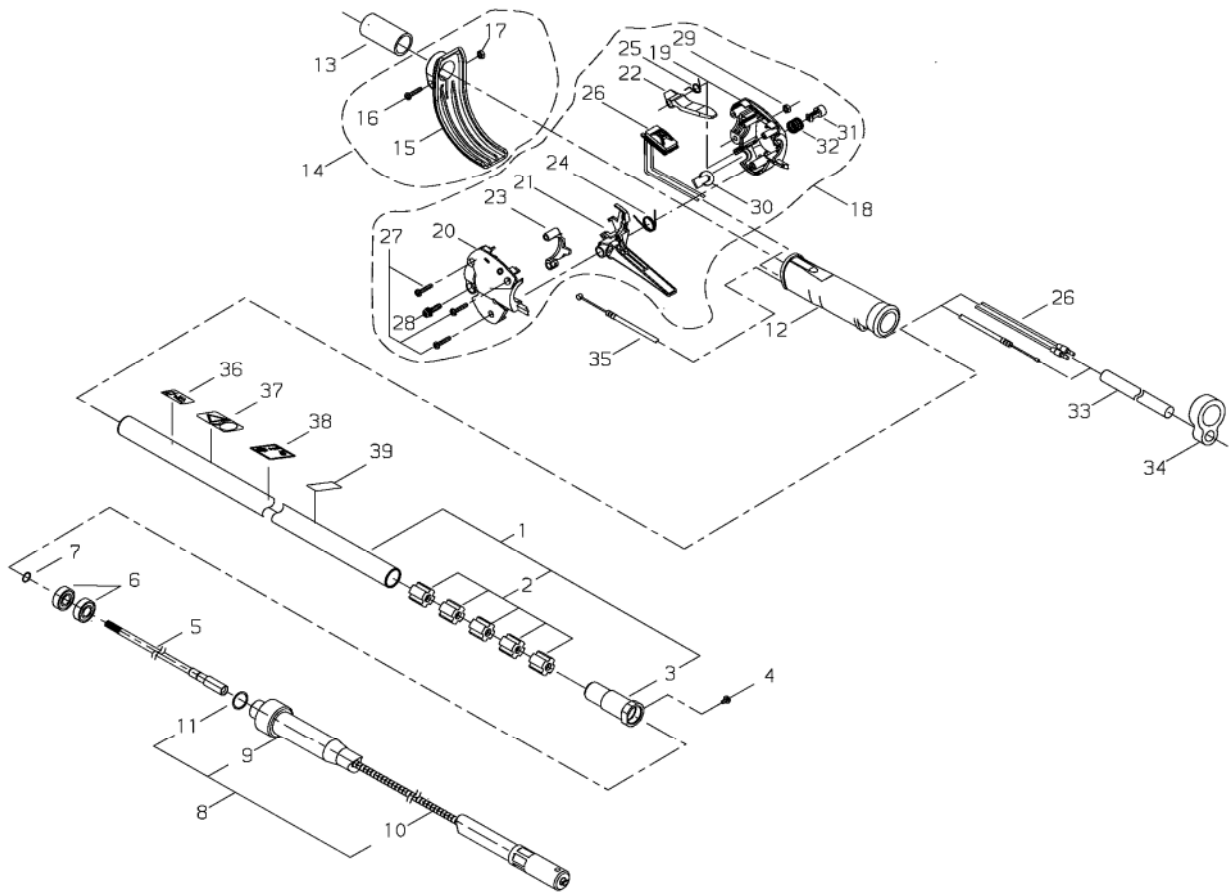


## 6. CARBURETOR, CLEANER



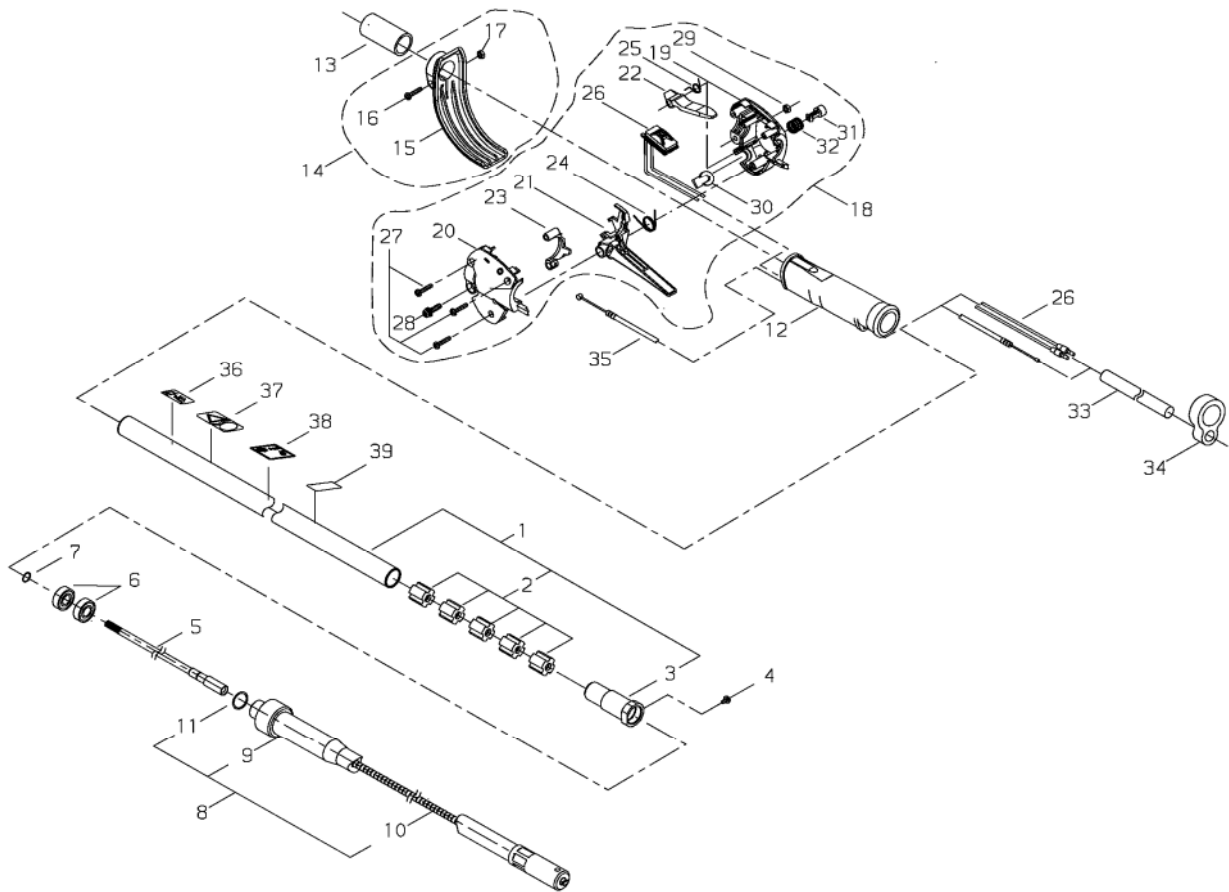
| KEY | LV  | PART NUMBER | Q'TY | DESCRIPTION          | REMARKS | NOTE1 | NOTE2 |
|-----|-----|-------------|------|----------------------|---------|-------|-------|
| 27  | • • | 20014-81521 | 1    | BAND BOLT            |         |       |       |
| 28  | • • | 20014-81530 | 1    | NUT                  |         |       |       |
| 29  | • • | 20014-81540 | 1    | WASHER               |         |       |       |
| 30  | • • | 20010-81570 | 1    | FLANGE PACKING       |         |       |       |
| 31  | • • | 20014-81810 | 1    | SLOW STOP SCREW      |         |       |       |
| 32  | • • | 20010-81820 | 1    | SPRING               |         |       |       |
| 33  | • • | 20014-81830 | 1    | O RING               |         |       |       |
| 34  | •   | 20051-81700 | 1    | AIR CLEANER SUB ASSY |         |       |       |
| 35  | • • | 20010-81711 | 1    | CLEANER BODY         |         |       |       |
| 36  | • • | 20000-81730 | 2    | SCREW                |         |       |       |
| 37  | • • | 20000-81740 | 1    | FILTER               |         |       |       |
| 38  | • • | 20000-81750 | 1    | NET A                |         |       |       |
| 39  | • • | 20010-81760 | 1    | NET B                |         |       |       |
| 40  | • • | 20010-81771 | 1    | CLEANER COVER        |         |       |       |
| 41  | • • | 19404-00008 | 1    | LABEL CHOKE          |         |       |       |
| 42  | • • | 20010-81781 | 1    | SPRING NET           |         |       |       |
| 43  | • • | 20000-81735 | 3    | SCREW                |         |       |       |
| 44  | • • | 20014-81790 | 1    | PLATE                |         |       |       |
| 45  |     | 7019983101  | 1    | THROTTLE CABLE-A     |         |       |       |
| 46  | •   | 70056-83200 | 1    | THROTTLE CABLE B     |         |       |       |
| 47  | •   | 20020-83120 | 1    | PIPE                 |         |       |       |
| 48  | •   | 70056-83130 | 1    | EARTH CORD A         |         |       |       |
| 49  | •   | 20005-83160 | 1    | CABLE CAP            |         |       |       |

7. OUTER PIPE



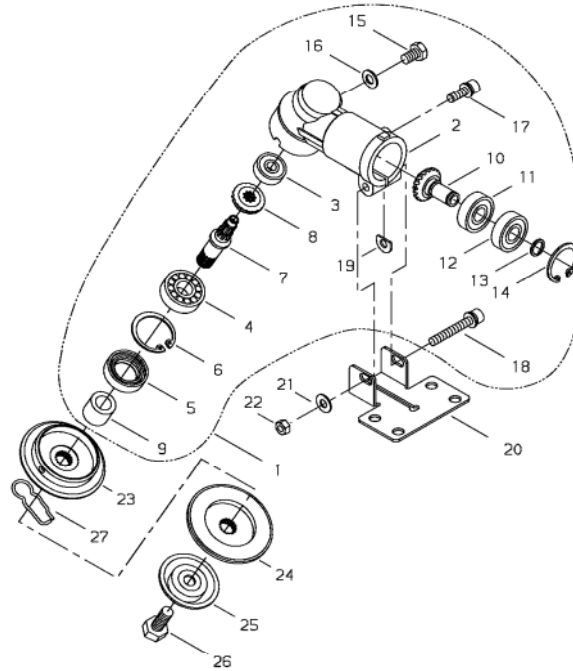
| KEY | LV | PART NUMBER | Q'TY | DESCRIPTION         | REMARKS | NOTE1  | NOTE2 |
|-----|----|-------------|------|---------------------|---------|--------|-------|
| 1   |    | 72517-12100 | 1    | OUTER PIPE SUB ASSY |         |        |       |
| 2   | ▪  | 22000-12120 | 5    | BUSHING             |         |        |       |
| 3   | ▪  | 72517-12130 | 1    | JOINT PIPE          |         |        |       |
| 4   |    | 22056-12340 | 1    | SCREW               |         |        |       |
| 5   |    | 72517-12410 | 1    | MAIN SHAFT          |         |        |       |
| 6   |    | 02002-06900 | 2    | BEARING             |         | 6900ZZ |       |
| 7   |    | 02430-10100 | 1    | SNAP RING           |         | 10mm C |       |
| 8   |    | 72517-61010 | 1    | FLEXIBLE ASSY       |         |        |       |
| 9   | ▪  | 72517-61110 | 1    | FLEXIBLE PIPE       |         |        |       |
| 10  | ▪  | 72517-11121 | 1    | FLEXIBLE SHAFT      |         |        |       |
| 11  | ▪  | 22056-11140 | 1    | O RING              |         |        |       |
| 12  |    | 63043-62140 | 1    | GRIP                |         |        |       |
| 13  |    | 63000-62311 | 1    | PROTECTOR           |         |        |       |
| 14  |    | 72517-62331 | 1    | GUARD ASSY          |         |        |       |
| 15  | ▪  | 72517-62341 | 1    | GUARD               |         |        |       |
| 16  | ▪  | 11206-05250 | 1    | SCREW PM SPW        |         | M5x25  |       |
| 17  | ▪  | 01500-05041 | 1    | NUT                 | M5      | M5     |       |
| 18  |    | 72517-62310 | 1    | THROTTLE LEVER ASSY |         |        |       |
| 19  | ▪  | 63000-62340 | 1    | BODY RIGHT          |         |        |       |
| 20  | ▪  | 63000-62350 | 1    | BODY LEFT           |         |        |       |
| 21  | ▪  | 63002-62340 | 1    | LEVER               |         |        |       |
| 22  | ▪  | 63901-62352 | 1    | LOCK LEVER          |         |        |       |
| 23  | ▪  | 63002-62350 | 1    | HOLDER              |         |        |       |
| 24  | ▪  | 63880-65350 | 1    | COIL SPRING         |         |        |       |
| 25  | ▪  | 63901-62370 | 1    | COIL SPRING         |         |        |       |
| 26  | ▪  | 72517-62350 | 1    | SWITCH              |         |        |       |

7. OUTER PIPE



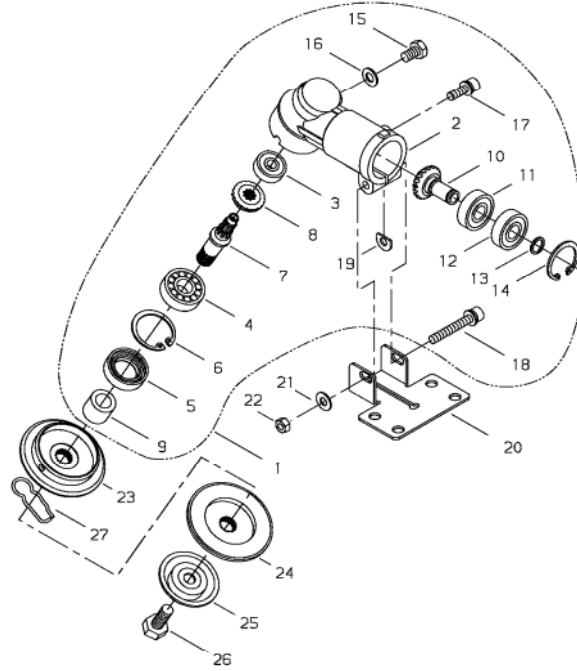
| KEY | LV | PART NUMBER | Q'TY | DESCRIPTION    | REMARKS | NOTE1         | NOTE2 |
|-----|----|-------------|------|----------------|---------|---------------|-------|
| 27  | •  | 63880-65360 | 3    | SCREW TAPPING  |         |               |       |
| 28  | •  | 11206-05201 | 1    | SCREW PM SPW   |         | M5x20         |       |
| 29  | •  | 01501-05030 | 1    | NUT            | M5      | M5            |       |
| 30  | •  | 63880-65411 | 1    | PLUG           |         |               |       |
| 31  | •  | 70871-65170 | 1    | BUTTON         |         |               |       |
| 32  | •  | 70871-65180 | 1    | COIL SPRING    |         |               |       |
| 33  |    | 72517-62320 | 1    | PIPE           |         |               |       |
| 34  |    | 20079-83140 | 1    | CABLE HOLDER   |         |               |       |
| 35  |    | 72517-62170 | 1    | THROTTLE CABLE |         |               |       |
| 36  |    | 19402-00223 | 1    | LABEL CAUTION  |         | MAX 8500MIN-1 |       |
| 37  |    | 19422-00010 | 1    | LABEL CAUTION  |         |               |       |
| 38  |    | 19404-00035 | 1    | LABEL DECIBEL  |         | 110dB(A)      |       |
| 39  |    | 72017-12150 | 1    | HANDLE LABEL   |         |               |       |

## 8. GEAR CASE



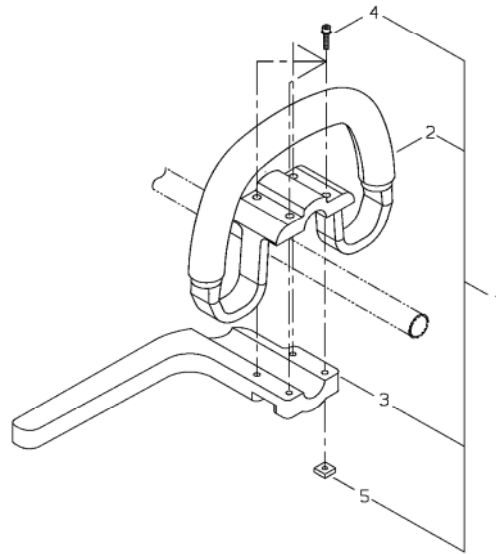
| KEY | LV | PART NUMBER | Q'TY | DESCRIPTION    | REMARKS | NOTE1  | NOTE2 |
|-----|----|-------------|------|----------------|---------|--------|-------|
| 1   |    | 63000-63020 | 1    | GEAR CASE COMP |         |        |       |
| 2   | •  | 22024-13112 | 1    | GEAR CASE      |         |        |       |
| 3   | •  | 02046-00609 | 1    | BEARING        |         |        |       |
| 4   | •  | 02000-06201 | 1    | BEARING        |         |        |       |
| 5   | •  | 22024-13121 | 1    | OIL SEAL       |         |        |       |
| 6   | •  | 02432-32120 | 1    | SNAP RING      |         | 32mm   |       |
| 7   | •  | 72435-13210 | 1    | GEAR SHAFT     |         |        |       |
| 8   | •  | 22024-13220 | 1    | BEVEL GEAR     |         |        |       |
| 9   | •  | 22000-13230 | 1    | COLLAR         |         |        |       |
| 10  | •  | 22024-13391 | 1    | PINION SET     |         |        |       |
| 11  | •  | 02000-06901 | 1    | BEARING        |         |        |       |
| 12  | •  | 02002-06901 | 1    | BEARING        |         | 6901ZZ |       |
| 13  | •  | 20000-31140 | 1    | SNAP RING      |         |        |       |
| 14  | •  | 02432-24120 | 1    | SNAP RING      |         |        |       |
| 15  | •  | 22015-13410 | 1    | BOLT           |         |        |       |
| 16  | •  | 22015-13420 | 1    | GASKET         |         |        |       |
| 17  | •  | 11022-05160 | 1    | BOLT SPW       |         | M5*16  |       |
| 18  | •  | 11022-06400 | 1    | BOLT SPW       |         |        |       |
| 19  | •  | 22011-13450 | 1    | SHIM           |         |        |       |
| 20  |    | 72441-16130 | 1    | LOWER CLAMP    |         |        |       |
| 21  |    | 01613-06100 | 1    | WASHER         |         |        |       |
| 22  |    | 01500-06051 | 1    | NUT            | M6      | M6     |       |
| 23  |    | 22024-13912 | 1    | HOLDER A       |         |        |       |
| 24  |    | 63000-63170 | 1    | HOLDER         |         |        |       |
| 25  |    | 22024-13291 | 1    | BOLT GUARD     |         |        |       |
| 26  |    | 22000-13512 | 1    | BOLT           |         |        |       |

8. GEAR CASE



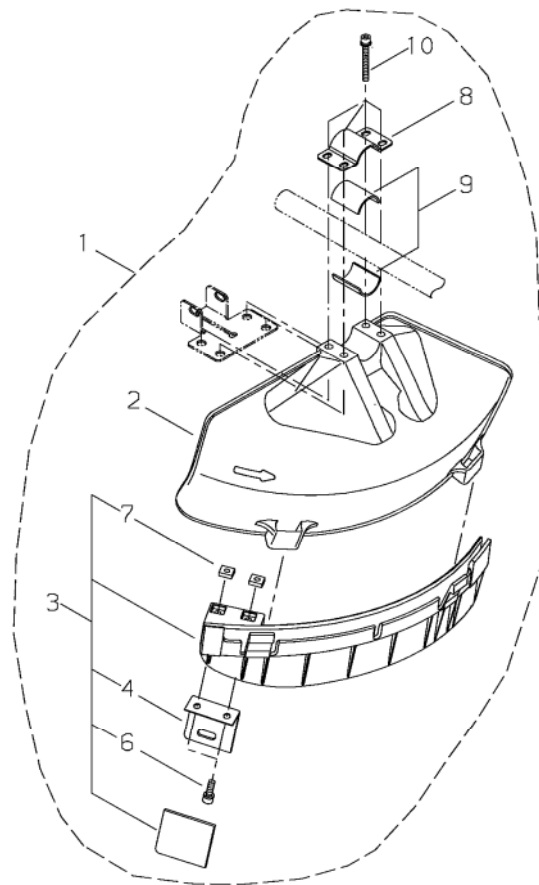
| KEY | LV | PART NUMBER | Q'TY | DESCRIPTION | REMARKS | NOTE1 | NOTE2 |
|-----|----|-------------|------|-------------|---------|-------|-------|
| 27  |    | 22000-13530 | 1    | SLIDE PIN   |         |       |       |

## 9. HANDLE



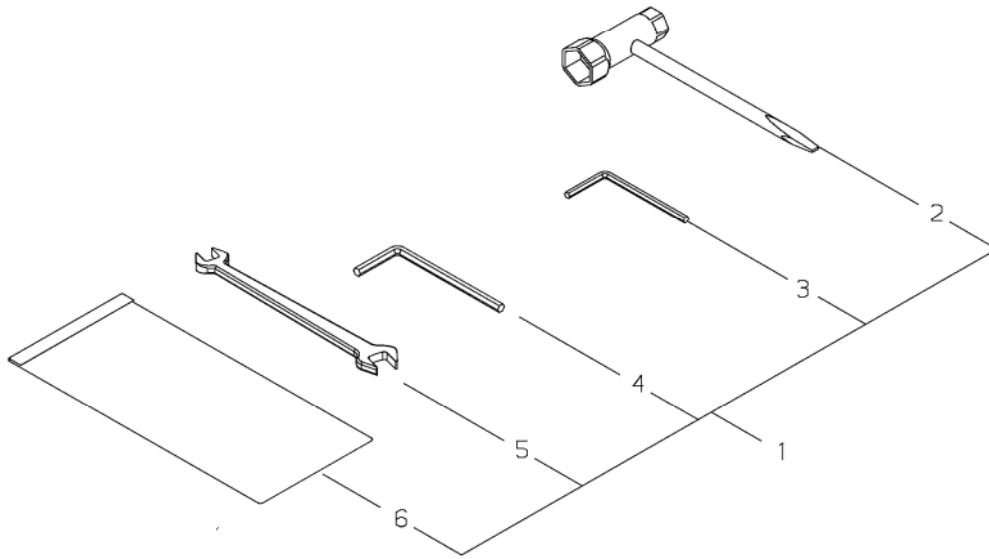
| KEY | LV | PART NUMBER | Q'TY | DESCRIPTION | REMARKS | NOTE1     | NOTE2 |
|-----|----|-------------|------|-------------|---------|-----------|-------|
| 1   |    | 65011-64010 | 1    | HANDLE ASSY |         |           |       |
| 2   | •  | 62901-64112 | 1    | HANDLE      |         |           |       |
| 3   | •  | 65011-64120 | 1    | BARRIER     |         |           |       |
| 4   | •  | 11022-05350 | 4    | BOLT SPW    |         | M5*35 SPW |       |
| 5   | •  | 22420-16120 | 4    | NUT         |         |           |       |

## 10. GUARD



| KEY | LV  | PART NUMBER | Q'TY | DESCRIPTION    | REMARKS | NOTE1        | NOTE2 |
|-----|-----|-------------|------|----------------|---------|--------------|-------|
| 1   |     | 64000-66311 | 1    | GUARD SET      |         |              |       |
| 2   | ▪   | 62903-66111 | 1    | GUARD          |         |              |       |
| 3   | ▪   | 62903-66332 | 1    | SUB GUARD ASSY |         |              |       |
| 4   | ▪ ▪ | 72480-16121 | 1    | CUTTER         |         |              |       |
| 6   | ▪ ▪ | 11020-05160 | 2    | BOLT SW        |         | M5x16(SW)    |       |
| 7   | ▪ ▪ | 22420-16120 | 2    | NUT            |         | M5           |       |
| 8   | ▪   | 72480-16210 | 1    | UPPER CLAMP    |         |              |       |
| 9   | ▪   | 72441-16220 | 2    | SPACER         |         |              |       |
| 10  | ▪   | 11022-05450 | 4    | BOLT SPW       |         | M5x45(SW,PW) |       |

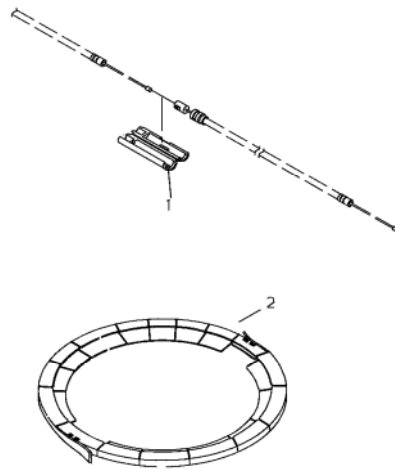
## 11. TOOL



| KEY | LV | PART NUMBER | Q'TY | DESCRIPTION     | REMARKS       | NOTE1 | NOTE2 |
|-----|----|-------------|------|-----------------|---------------|-------|-------|
| 1   |    | 64100-92310 | 1    | TOOL SET        |               |       |       |
| 2   | ▪  | 22000-91181 | 1    | PLUG WRENCH     |               |       |       |
| 3   | ▪  | 09026-04001 | 1    | HEXA WRENCH     | 4MM M5㉿       | M5    |       |
| 4   | ▪  | 09026-05001 | 1    | HEXA WRENCH 6MM |               | M6    |       |
| 5   | ▪  | 22000-91120 | 1    | SPANNER         |               |       |       |
| 6   | ▪  | 19639-01400 | 1    | BAG,PACKING     | 140*200*T0.08 |       |       |

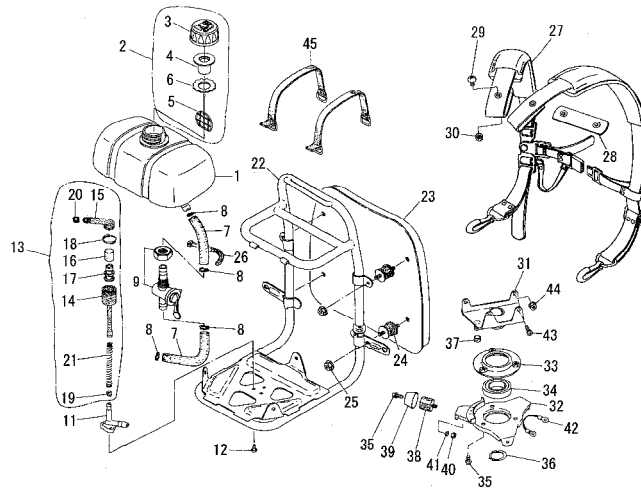


12. BLADE COVER



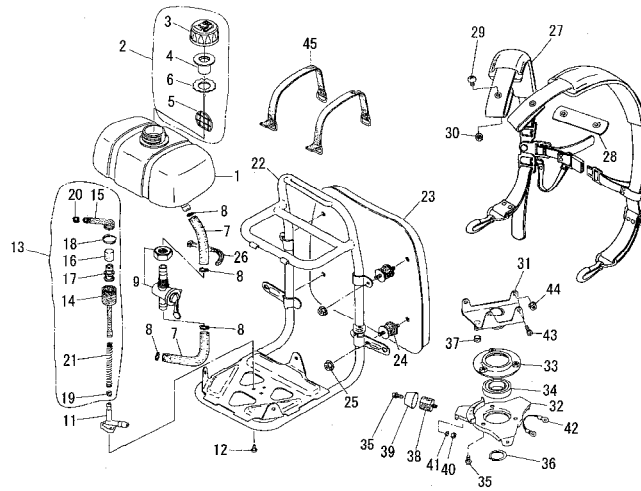
| KEY | LV | PART NUMBER | Q'TY | DESCRIPTION | REMARKS | NOTE1 | NOTE2 |
|-----|----|-------------|------|-------------|---------|-------|-------|
| 1   |    | 70056-83190 | 1    | CONNECTOR   |         |       |       |
| 2   |    | 22550-92310 | 1    | BLADE COVER |         |       |       |

13. FRAME, PAD



| KEY | LV | PART NUMBER | Q'TY | DESCRIPTION     | REMARKS | NOTE1 | NOTE2 |
|-----|----|-------------|------|-----------------|---------|-------|-------|
| 1   |    | 20051-85110 | 1    | FUEL TANK       |         |       |       |
| 2   |    | 70199-85202 | 1    | FUEL CAP ASSY   |         |       |       |
| 3   |    | 20040-85211 | 1    | FUEL CAP        |         |       |       |
| 4   |    | 7019985241  | 1    | INNER CAP       |         |       |       |
| 5   |    | 6280035320  | 1    | ANCHOR          |         |       |       |
| 6   |    | 20040-85220 | 1    | PACKING         |         |       |       |
| 7   |    | 70051-85410 | 2    | FUEL PIPE       |         |       |       |
| 8   |    | 20051-85420 | 4    | CLIP            |         |       |       |
| 9   |    | A036-000000 | 1    | FUEL COCK ASSY  |         |       |       |
| 11  |    | 20050-85461 | 1    | ELBOW           |         |       |       |
| 12  |    | 11202-40100 | 3    | SCREW HILO 4X10 |         | 4x10  |       |
| 13  |    | 70051-85502 | 1    | FILTER SUB ASSY |         |       |       |
| 14  | •  | 20051-85510 | 1    | FUEL PIPE       |         |       |       |
| 15  | •  | 70051-85521 | 1    | FUEL PIPE A     |         |       |       |
| 16  | •  | 20051-85540 | 1    | FILTER A        |         |       |       |
| 17  | •  | 20051-85531 | 1    | FILTER          |         |       |       |
| 18  | •  | 20050-85580 | 1    | CLIP            |         |       |       |
| 19  | •  | 20050-85560 | 1    | CLIP            |         |       |       |
| 20  | •  | 20051-85570 | 1    | CLIP A          |         |       |       |
| 21  | •  | 20051-85590 | 1    | SPRING          |         |       |       |
| 22  |    | 20051-86112 | 1    | FRAME           |         |       |       |
| 23  |    | 20051-86120 | 1    | PAD             |         |       |       |
| 24  |    | 20051-86160 | 4    | CUSHION 18K     |         |       |       |
| 25  |    | 11526-05112 | 4    | FLANGE NUT      |         | M5    |       |
| 26  |    | 20000-83150 | 1    | CLAMP           |         |       |       |
| 27  |    | 70199-86200 | 1    | BAND ASSY       |         |       |       |

13. FRAME, PAD



| KEY | LV | PART NUMBER | Q'TY | DESCRIPTION   | REMARKS | NOTE1  | NOTE2 |
|-----|----|-------------|------|---------------|---------|--------|-------|
| 28  |    | 20051-86320 | 1    | JOINT BAND    |         |        |       |
| 29  |    | 01215-06140 | 2    | SCREW TRUSS   |         | M6x14  |       |
| 30  |    | 22011-97840 | 2    | LOCK NUT      |         |        |       |
| 31  |    | 20050-87110 | 1    | BRACKET A     |         |        |       |
| 32  |    | 20050-87120 | 1    | BRACKET B     |         |        |       |
| 33  |    | 20050-87131 | 1    | RETAINER      |         |        |       |
| 34  |    | 02002-06005 | 1    | BEARING       |         | 6005ZZ |       |
| 35  |    | 11206-05100 | 6    | SCREW PM SPW  |         | M5x10  |       |
| 36  |    | 02430-25120 | 1    | SNAP RING     |         | 25mm C |       |
| 37  |    | 20050-87150 | 1    | STOP CUSHION  |         |        |       |
| 38  |    | 20050-87160 | 3    | CUSHION       |         |        |       |
| 39  |    | 20050-87170 | 3    | MOUNT HOLDER  |         |        |       |
| 40  |    | 01500-05041 | 1    | NUT           | M5      | M5     |       |
| 41  |    | 01600-05131 | 1    | SPRING WASHER |         | 5mm    |       |
| 42  |    | 20051-87210 | 1    | EARTH CORD    |         |        |       |
| 43  |    | 11020-05120 | 2    | BOLT SW       |         | M5x12  |       |
| 44  |    | 11526-05112 | 4    | FLANGE NUT    |         | M5     |       |
| 45  |    | 20020-86140 | 2    | BAND          |         |        |       |

**Index**

| <b>Patrs Number</b> | <b>Key No.</b> | <b>Patrs Number</b> | <b>Key No.</b> | <b>Patrs Number</b> | <b>Key No.</b> |
|---------------------|----------------|---------------------|----------------|---------------------|----------------|
| 01020-05250         | 1 - 3          | 11206-05201         | 7 - 28         | 20010-81771         | 6 - 40         |
| 01020-05300         | 2 - 10         | 11206-05250         | 7 - 16         | 20010-81781         | 6 - 42         |
| 01020-06250         | 1 - 19         | 11526-05112         | 13 - 25        | 20010-81820         | 6 - 32         |
| 01215-06140         | 13 - 29        | 11526-05112         | 13 - 44        | 20011-31230         | 2 - 15         |
| 01500-04031         | 1 - 18         | 12492-50100         | 2 - 9          | 20011-71611         | 4 - 5          |
| 01500-05041         | 7 - 17         | 12900-62020         | 2 - 3          | 20011-71660         | 4 - 8          |
| 01500-05041         | 13 - 40        | 12900-62020         | 2 - 7          | 20011-72110         | 4 - 11         |
| 01500-06051         | 8 - 22         | 13000-13406         | 4 - 18         | 20011-72120         | 4 - 12         |
| 01501-05030         | 7 - 29         | 19402-00223         | 7 - 36         | 20014-81320         | 6 - 15         |
| 01511-10061         | 4 - 3          | 19404-00008         | 6 - 41         | 20014-81340         | 6 - 17         |
| 01600-05131         | 1 - 4          | 19404-00035         | 7 - 38         | 20014-81350         | 6 - 18         |
| 01600-05131         | 13 - 41        | 19422-00010         | 7 - 37         | 20014-81360         | 6 - 19         |
| 01600-10251         | 4 - 4          | 19639-01400         | 11 - 6         | 20014-81381         | 6 - 20         |
| 01613-06100         | 8 - 21         | 20000-31140         | 8 - 13         | 20014-81390         | 6 - 21         |
| 02000-06201         | 8 - 4          | 20000-72230         | 4 - 17         | 20014-81430         | 6 - 24         |
| 02000-06901         | 8 - 11         | 20000-72241         | 4 - 14         | 20014-81510         | 6 - 26         |
| 02002-06005         | 13 - 34        | 20000-72250         | 4 - 15         | 20014-81521         | 6 - 27         |
| 02002-06900         | 7 - 6          | 20000-75130         | 5 - 4          | 20014-81530         | 6 - 28         |
| 02002-06901         | 8 - 12         | 20000-75150         | 5 - 6          | 20014-81540         | 6 - 29         |
| 02006-06002         | 2 - 12         | 20000-75160         | 5 - 7          | 20014-81790         | 6 - 44         |
| 02046-00609         | 8 - 3          | 20000-75170         | 5 - 8          | 20014-81810         | 6 - 31         |
| 02403-03100         | 4 - 2          | 20000-75220         | 5 - 12         | 20014-81830         | 6 - 33         |
| 02430-10100         | 7 - 7          | 20000-76210         | 5 - 16         | 20020-75120         | 5 - 3          |
| 02430-25120         | 13 - 36        | 20000-81150         | 6 - 9          | 20020-75140         | 5 - 5          |
| 02432-24120         | 8 - 14         | 20000-81250         | 6 - 25         | 20020-75180         | 5 - 9          |
| 02432-32120         | 2 - 13         | 20000-81260         | 6 - 4          | 20020-76111         | 5 - 17         |
| 02432-32120         | 8 - 6          | 20000-81730         | 6 - 36         | 20020-83120         | 6 - 47         |
| 09026-04001         | 11 - 3         | 20000-81735         | 6 - 43         | 20020-86140         | 13 - 45        |
| 09026-05001         | 11 - 4         | 20000-81740         | 6 - 37         | 20021-41113         | 3 - 1          |
| 11020-05100         | 1 - 13         | 20000-81750         | 6 - 38         | 20021-41210         | 3 - 2          |
| 11020-05120         | 13 - 43        | 20000-83150         | 13 - 26        | 20021-41311         | 3 - 3          |
| 11020-05140         | 2 - 20         | 20003-81140         | 6 - 8          | 20021-41330         | 3 - 5          |
| 11020-05160         | 10 - 6         | 20005-83160         | 6 - 49         | 20021-41342         | 3 - 6          |
| 11022-04160         | 5 - 18         | 20010-12121         | 1 - 2          | 20021-42002         | 3 - 7          |
| 11022-05160         | 8 - 17         | 20010-12121         | 3 - 13         | 20024-83152         | 2 - 26         |
| 11022-05200         | 2 - 16         | 20010-21211         | 2 - 4          | 20040-85211         | 13 - 3         |
| 11022-05200         | 2 - 25         | 20010-21211         | 2 - 8          | 20040-85220         | 13 - 6         |
| 11022-05250         | 1 - 8          | 20010-51130         | 3 - 11         | 20045-81240         | 6 - 13         |
| 11022-05350         | 2 - 17         | 20010-51141         | 3 - 12         | 20050-15410         | 1 - 16         |
| 11022-05350         | 9 - 4          | 20010-71201         | 4 - 1          | 20050-31210         | 2 - 14         |
| 11022-05450         | 10 - 10        | 20010-71631         | 4 - 6          | 20050-51102         | 3 - 8          |
| 11022-06400         | 8 - 18         | 20010-72221         | 4 - 13         | 20050-51111         | 3 - 9          |
| 11024-04120         | 4 - 10         | 20010-75190         | 5 - 10         | 20050-51121         | 3 - 10         |
| 11024-04261         | 4 - 7          | 20010-75210         | 5 - 11         | 20050-85461         | 13 - 11        |
| 11024-05100         | 1 - 12         | 20010-75230         | 5 - 13         | 20050-85560         | 13 - 19        |
| 11024-05120         | 1 - 20         | 20010-81420         | 6 - 23         | 20050-85580         | 13 - 18        |
| 11202-40100         | 13 - 12        | 20010-81570         | 6 - 30         | 20050-87110         | 13 - 31        |
| 11203-04100         | 1 - 17         | 20010-81711         | 6 - 35         | 20050-87120         | 13 - 32        |
| 11206-05100         | 13 - 35        | 20010-81760         | 6 - 39         | 20050-87131         | 13 - 33        |

**Index**

| <b>Patrs Number</b> | <b>Key No.</b> | <b>Patrs Number</b> | <b>Key No.</b> | <b>Patrs Number</b> | <b>Key No.</b> |
|---------------------|----------------|---------------------|----------------|---------------------|----------------|
| 20050-87150         | 13 - 37        | 22056-12340         | 7 - 4          | 70196-32150         | 2 - 21         |
| 20050-87160         | 13 - 38        | 22152-41231         | 3 - 4          | 70196-32160         | 1 - 14         |
| 20050-87170         | 13 - 39        | 22420-16120         | 9 - 5          | 70196-32160         | 2 - 22         |
| 20051-12211         | 1 - 5          | 22420-16120         | 10 - 7         | 70198-12110         | 1 - 1          |
| 20051-12221         | 1 - 6          | 22550-92310         | 12 - 2         | 70199-15110         | 1 - 9          |
| 20051-12230         | 1 - 7          | 62106-81010         | 6 - 1          | 70199-15312         | 1 - 11         |
| 20051-21100         | 2 - 1          | 62106-81310         | 6 - 2          | 7019983101          | 6 - 45         |
| 20051-21110         | 2 - 2          | 62106-81330         | 6 - 11         | 70199-85202         | 13 - 2         |
| 20051-21200         | 2 - 5          | 6280035320          | 13 - 5         | 7019985241          | 13 - 4         |
| 20051-35130         | 2 - 23         | 62901-64112         | 9 - 2          | 70199-86200         | 13 - 27        |
| 20051-81311         | 6 - 14         | 62903-66111         | 10 - 2         | 70210-15212         | 1 - 10         |
| 20051-81700         | 6 - 34         | 62903-66332         | 10 - 3         | 70871-65170         | 7 - 31         |
| 20051-85110         | 13 - 1         | 63000-62311         | 7 - 13         | 70871-65180         | 7 - 32         |
| 20051-85420         | 13 - 8         | 63000-62340         | 7 - 19         | 72017-12150         | 7 - 39         |
| 20051-85510         | 13 - 14        | 63000-62350         | 7 - 20         | 72080-98011         | 3 - 14         |
| 20051-85531         | 13 - 17        | 63000-63020         | 8 - 1          | 72080-98310         | 3 - 15         |
| 20051-85540         | 13 - 16        | 63000-63170         | 8 - 24         | 72435-13210         | 8 - 7          |
| 20051-85570         | 13 - 20        | 63002-62340         | 7 - 21         | 72441-16130         | 8 - 20         |
| 20051-85590         | 13 - 21        | 63002-62350         | 7 - 23         | 72441-16220         | 10 - 9         |
| 20051-86112         | 13 - 22        | 63043-62140         | 7 - 12         | 72480-16121         | 10 - 4         |
| 20051-86120         | 13 - 23        | 63880-65350         | 7 - 24         | 72480-16210         | 10 - 8         |
| 20051-86160         | 13 - 24        | 63880-65360         | 7 - 27         | 72517-11121         | 7 - 10         |
| 20051-86320         | 13 - 28        | 63880-65411         | 7 - 30         | 72517-12100         | 7 - 1          |
| 20051-87210         | 13 - 42        | 63901-62352         | 7 - 22         | 72517-12130         | 7 - 3          |
| 20055-81120         | 6 - 6          | 63901-62370         | 7 - 25         | 72517-12410         | 7 - 5          |
| 20055-81130         | 6 - 7          | 64000-66311         | 10 - 1         | 72517-61010         | 7 - 8          |
| 20055-81232         | 6 - 12         | 64100-92310         | 11 - 1         | 72517-61110         | 7 - 9          |
| 20055-81410         | 6 - 22         | 65011-64010         | 9 - 1          | 72517-62170         | 7 - 35         |
| 20055-81810         | 6 - 3          | 65011-64120         | 9 - 3          | 72517-62310         | 7 - 18         |
| 20055-81830         | 6 - 5          | 68503-81360         | 6 - 16         | 72517-62320         | 7 - 33         |
| 20079-83140         | 7 - 34         | 70000-75230         | 5 - 15         | 72517-62331         | 7 - 14         |
| 20112-35200         | 2 - 24         | 70012-21121         | 2 - 6          | 72517-62341         | 7 - 15         |
| 22000-12120         | 7 - 2          | 70012-31111         | 2 - 11         | 72517-62350         | 7 - 26         |
| 22000-13230         | 8 - 9          | 70020-75110         | 5 - 2          | 72920-71711         | 4 - 9          |
| 22000-13512         | 8 - 26         | 70020-75240         | 5 - 14         | A036-000000         | 13 - 9         |
| 22000-13530         | 8 - 27         | 7002075900          | 5 - 1          |                     |                |
| 22000-91120         | 11 - 5         | 70051-85410         | 13 - 7         |                     |                |
| 22000-91181         | 11 - 2         | 70051-85502         | 13 - 13        |                     |                |
| 22011-13450         | 8 - 19         | 70051-85521         | 13 - 15        |                     |                |
| 22011-97840         | 13 - 30        | 70056-83130         | 6 - 48         |                     |                |
| 22015-13410         | 8 - 15         | 70056-83140         | 2 - 27         |                     |                |
| 22015-13420         | 8 - 16         | 70056-83190         | 12 - 1         |                     |                |
| 22024-13112         | 8 - 2          | 70056-83200         | 6 - 46         |                     |                |
| 22024-13121         | 8 - 5          | 70112-31150         | 2 - 28         |                     |                |
| 22024-13220         | 8 - 8          | 70112-81180         | 6 - 10         |                     |                |
| 22024-13291         | 8 - 25         | 70180-72260         | 4 - 16         |                     |                |
| 22024-13391         | 8 - 10         | 70196-32110         | 2 - 18         |                     |                |
| 22024-13912         | 8 - 23         | 70196-32141         | 2 - 19         |                     |                |
| 22056-11140         | 7 - 11         | 70196-32150         | 1 - 15         |                     |                |

# YAMABIKO CORPORATION

7-2 SUEHIROCHO 1-CHOME, OHME, TOKYO 198-8760, JAPAN  
PHONE: 81-428-32-6118. FAX: 81-428-32-6145.

**shindaiwa<sup>®</sup>**

EC1  
No.