

shindaiwa[®]

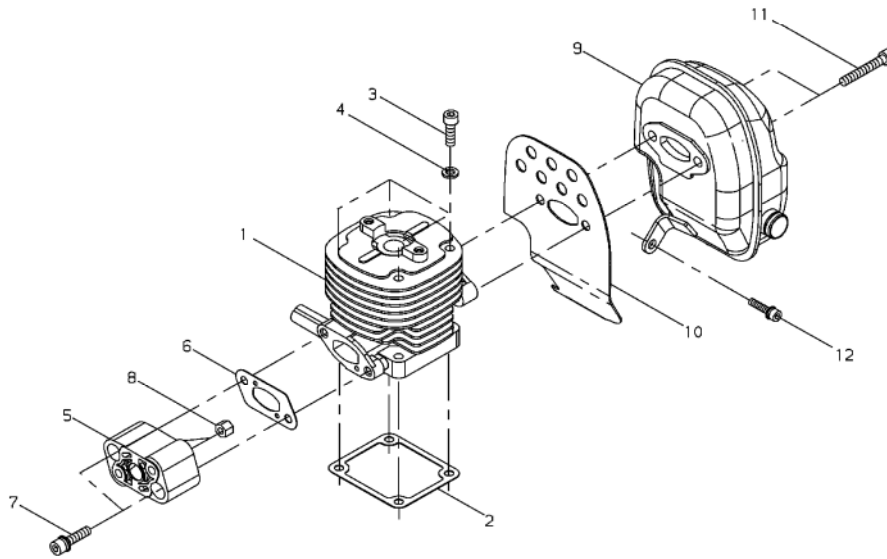
PARTS CATALOGUE

BRUSHCUTTER

B45LA INTL

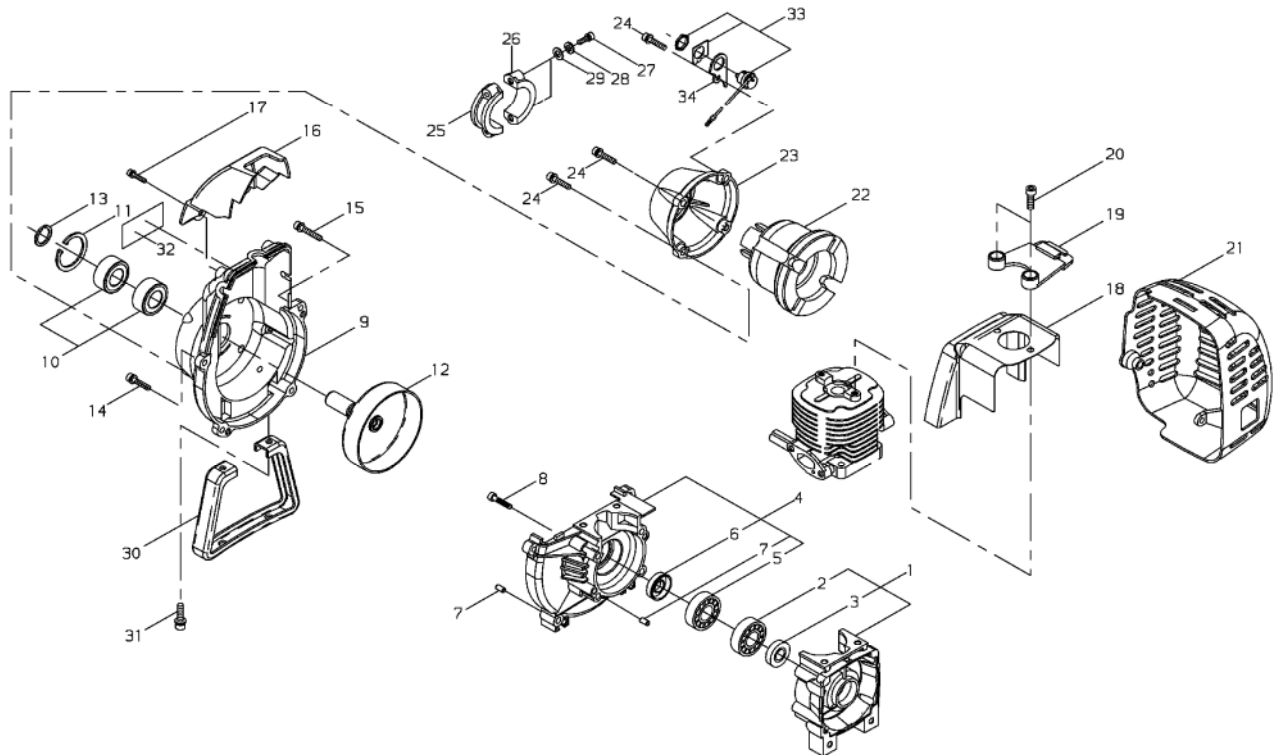
B45LA INTL

1. CYLINDER, MUFFLER



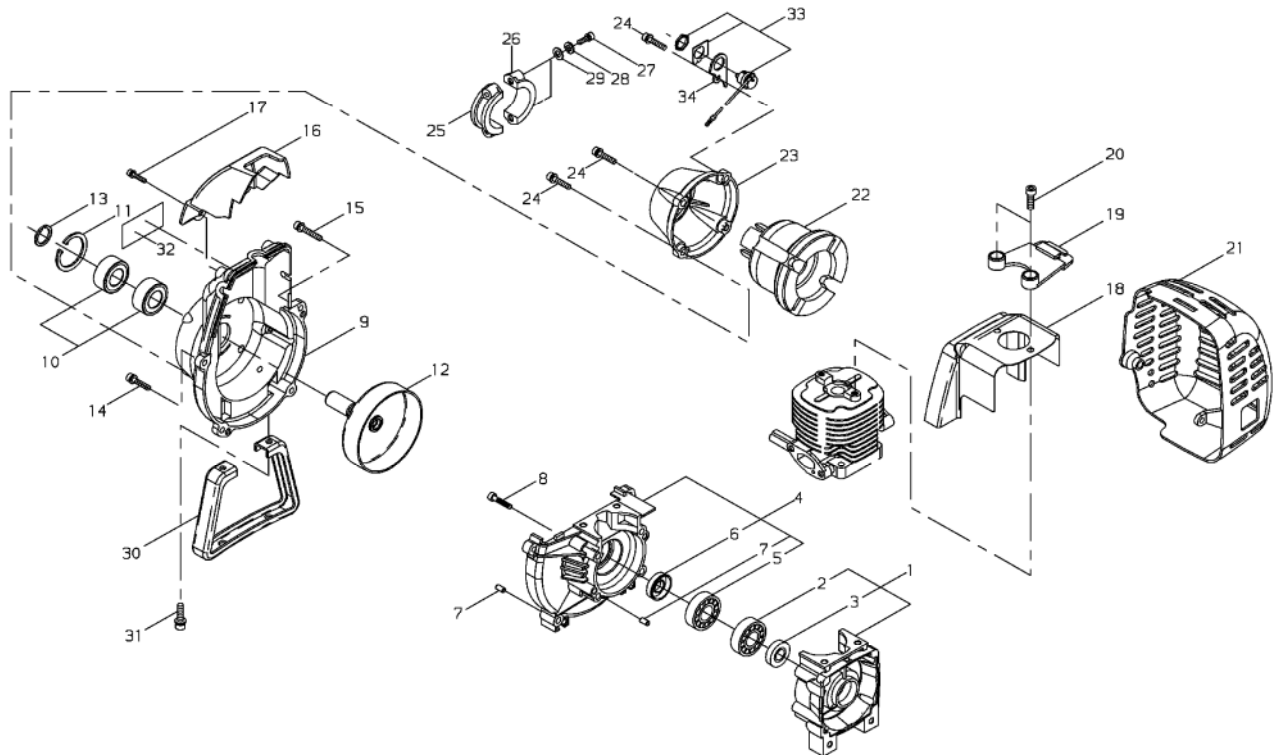
KEY	LV	PART NUMBER	Q'TY	DESCRIPTION	REMARKS	NOTE1	NOTE2
1		70198-12110	1	CYLINDER			
2		20010-12121	1	GASKET CYLINDER			
3		01020-05250	4	BOLT			
4		01600-05131	4	SPRING WASHER			
5		20021-12210	1	INSULATOR			
6		20021-12220	1	GASKET INSULATOR			
7		11022-05250	2	BOLT SPW			
8		20011-12260	2	NUT			
9		62104-15110	1	MUFFLER			
10		62104-15210	1	GASKET			
11		01020-06250	2	BOLT			
12		11024-05120	1	BOLT SLPW			

2. CRANKCASE, FAN COVER, CYLINDER COVER



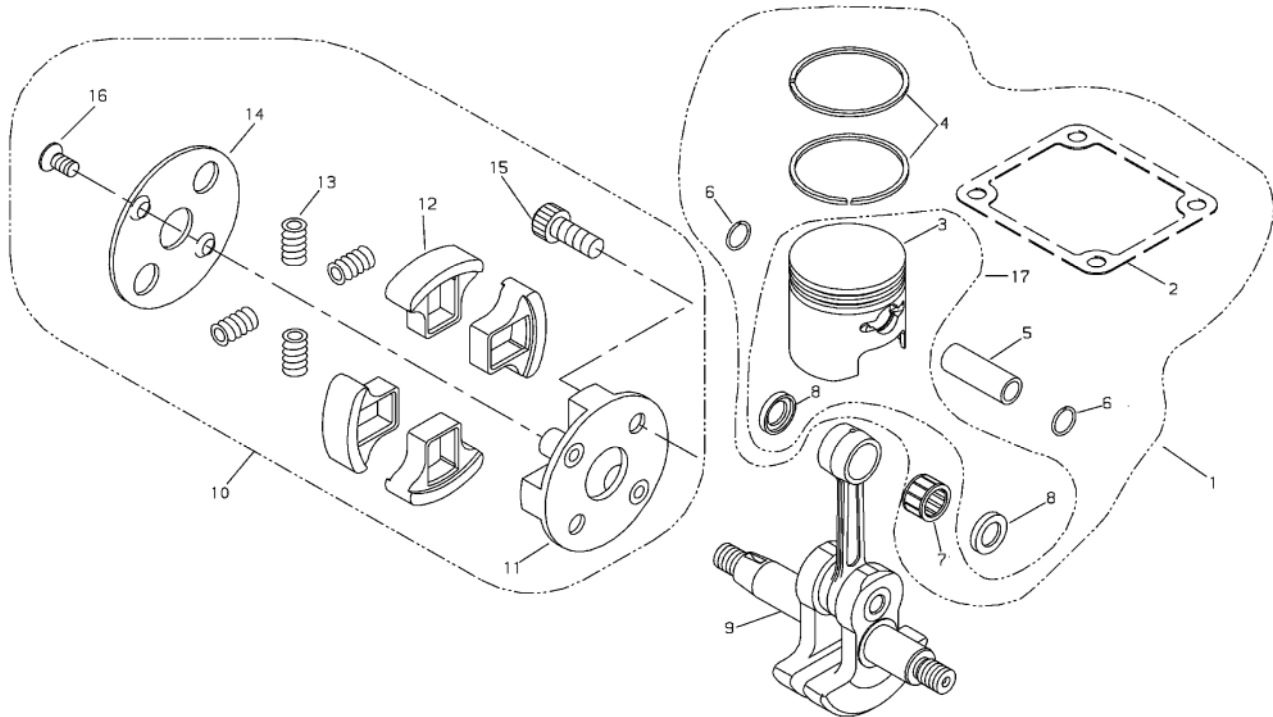
KEY	LV	PART NUMBER	Q'TY	DESCRIPTION	REMARKS	NOTE1	NOTE2
1		72935-21101	1	CRANK CASE S COMP			
2	▪	12900-62020	1	BEARING			
3	▪	20010-21211	1	OIL SEAL			
4		70062-21200	1	CRANK CASE M COMP			
5	▪	12900-62020	1	BEARING			
6	▪	20010-21211	1	OIL SEAL			
7	▪	12492-50100	4	ROLLER			
8		01020-05300	4	BOLT			
9		70084-31111	1	FAN COVER			
10		12900-60021	2	BEARING			
11		02432-32120	1	SNAP RING			
12		62113-31210	1	CLUTCH DRUM			
13		20011-31230	1	SNAP RING			
14		11022-05200	3	BOLT SPW			
15		11022-05300	1	BOLT SW			
16		70131-34100	1	PROTECTOR COMP			
17		11024-04160	2	BOLT SLPW			
18		62112-32110	1	CYLINDER COVER			
19		62104-32310	1	STAY			
20		11022-05180	2	BOLT SPW			
21		62104-32320	1	MUFFLER COVER			
22		20011-35110	1	JOINT			
23		70012-35130	1	CAP JOINT			
24		11022-05200	4	BOLT SPW			
25		20011-35141	1	CLAMP A			
26		20011-35151	1	CLAMP B			

2. CRANKCASE, FAN COVER, CYLINDER COVER



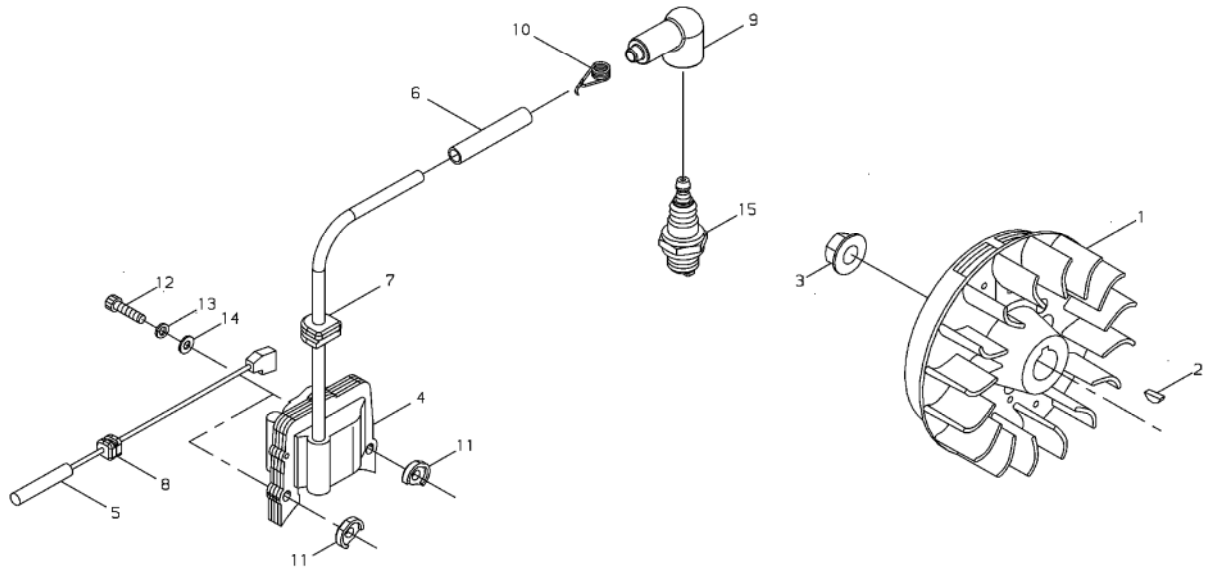
KEY	LV	PART NUMBER	Q'TY	DESCRIPTION	REMARKS	NOTE1	NOTE2
27		01020-05250	2	BOLT			
28		01600-05131	2	SPRING WASHER			
29		01610-05080	2	WASHER			
30		70200-33112	1	STAND			
31		11022-05160	2	BOLT SPW			
32		62113-91320	1	LABEL TRADE			
33		72930-14210	1	SWITCH			
34		70014-74120	1	BRACKET			

3. PISTON, CRANKSHAFT, CLUTCH



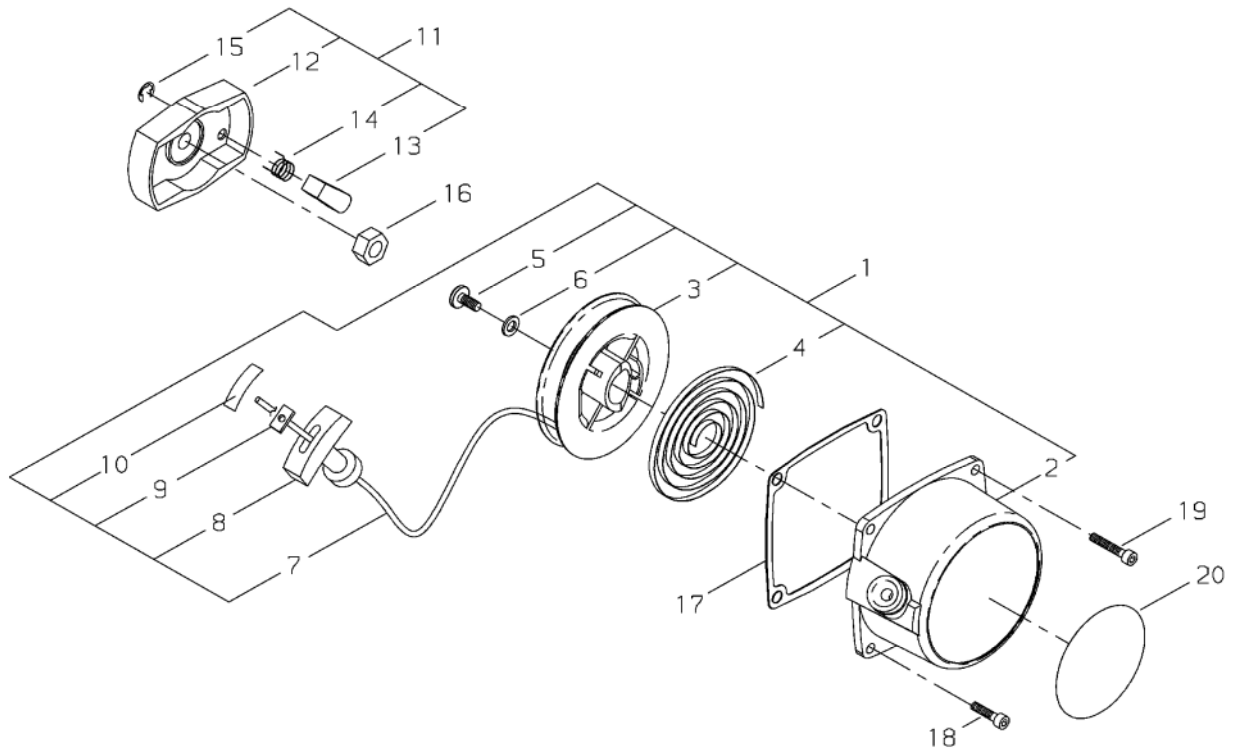
KEY	LV	PART NUMBER	Q'TY	DESCRIPTION	REMARKS	NOTE1	NOTE2
1		72080-98011	1	PISTON SET			
17	•	72080-98310	1	PISTON SET			
3	• •	20021-41113	1	PISTON			
8	• •	20021-41342	2	THRUST WASHER			
2	•	20010-12121	1	GASKET CYLINDER			
4	•	20021-41210	2	PISTON RING			
5	•	20021-41311	1	PISTON PIN			
6	•	22152-41231	2	SNAP RING			
7	•	20021-41330	1	BEARING SE			
9		20021-42002	1	CRANK SHAFT ASSY			
10		70210-51100	1	CLUTCH SHOE ASSY			
11	•	20020-51112	1	CLUTCH BOSS			
12	•	20020-51121	4	CLUTCH SHOE			
13	•	20020-51131	4	SPRING			
14	•	20020-51140	1	PLATE			
15	•	20020-51150	2	CLUTCH BOLT			
16	•	70210-51160	2	SCREW FLAT			

4. MAGNETO



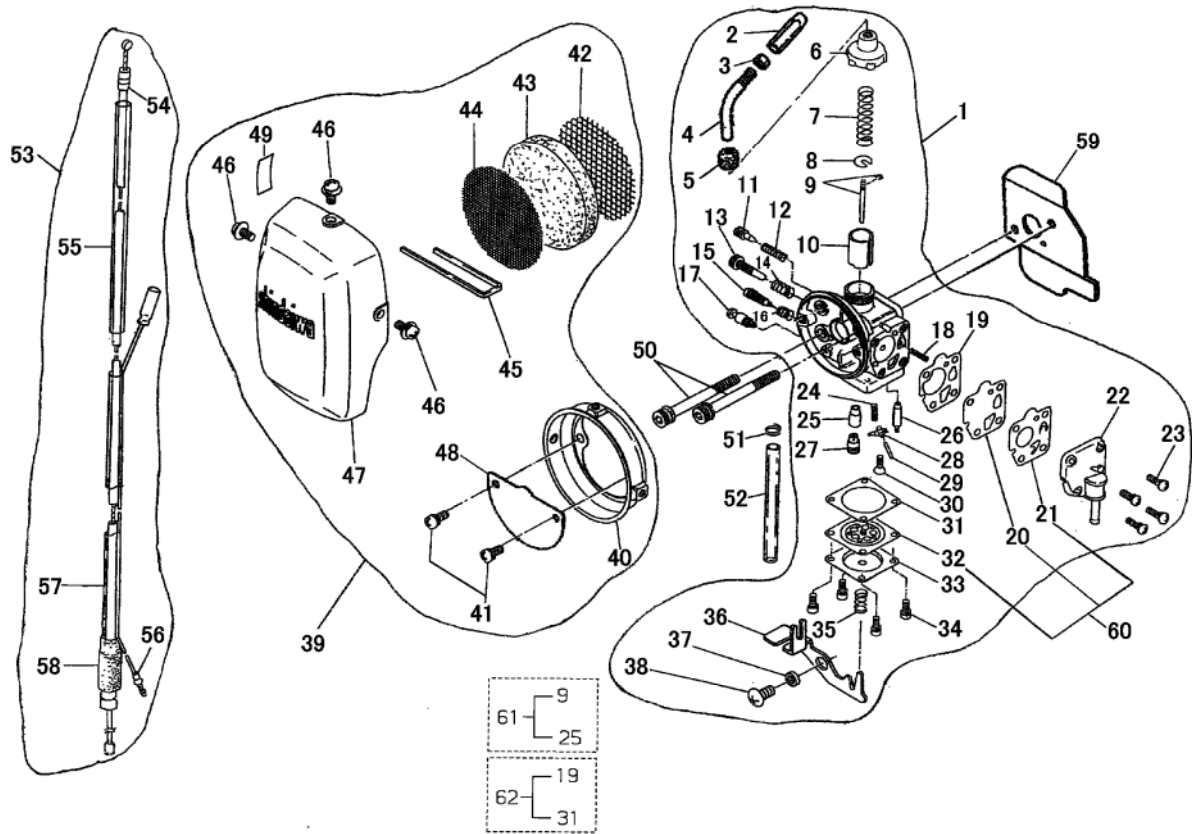
KEY	LV	PART NUMBER	Q'TY	DESCRIPTION	REMARKS	NOTE1	NOTE2
1		70200-71200	1	ROTOR			
2		02403-03100	1	KEY	3*10		
3		11527-10212	1	FLANGE NUT			
4		70200-71610	1	COIL			
5		70200-71640	1	CORD			
6		20011-71660	1	TUBE			
7		20011-72110	1	GROMMET			
8		20011-72120	1	GROMMET			
9		22102-72220	1	PLUG CAP			
10		20000-72230	1	SPRING SPARK PLUG			
11		20010-71631	2	SPACER COIL			
12		01020-04240	2	BOLT			
13		01600-04101	2	SPRING WASHER			
14		20010-71650	2	WASHER			
15		CJ-8	1	SPARK PLUG CJ-8			

5. RECOIL STARTER



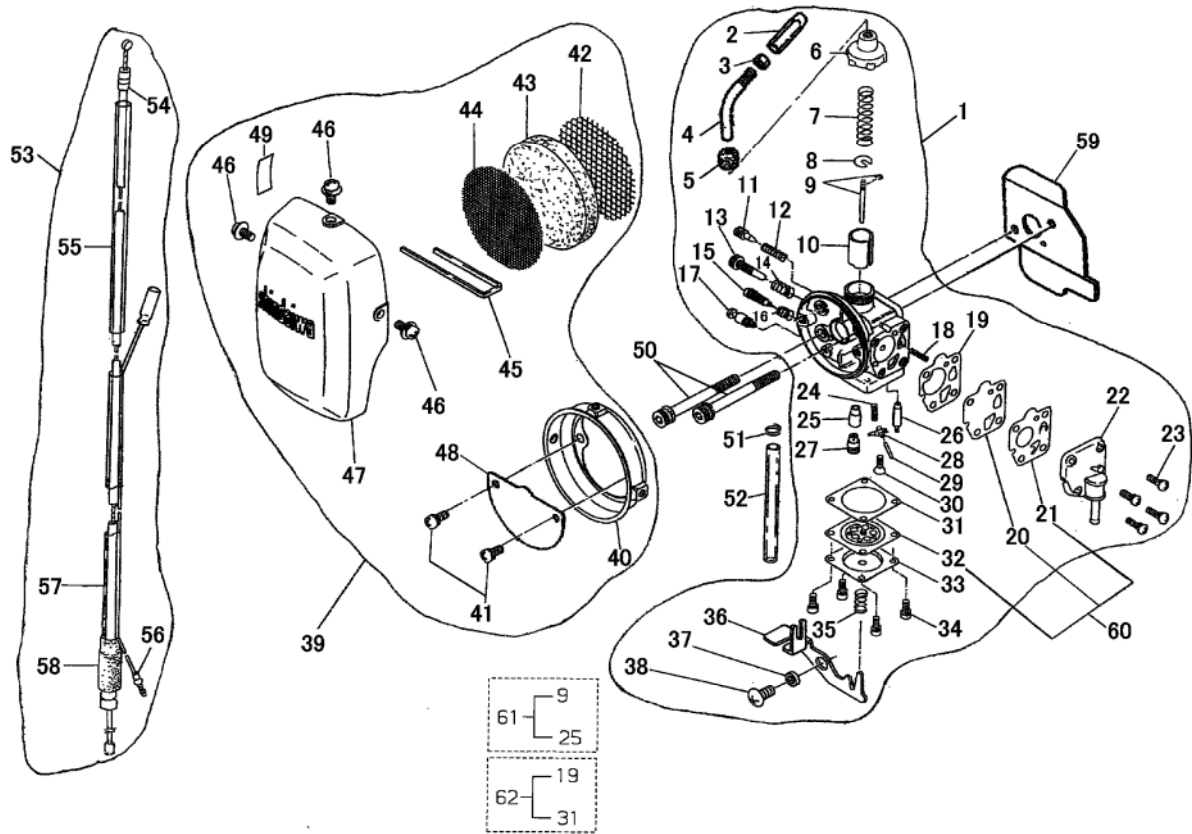
KEY	LV	PART NUMBER	Q'TY	DESCRIPTION	REMARKS	NOTE1	NOTE2
1		70131-75100	1	RECOIL STARETR			
2	•	70131-75110	1	STARTER CASE			
3	•	70131-75120	1	REEL			
4	•	20024-75130	1	RECOIL SPRING			
5	•	20035-75170	1	SCREW			
6	•	70131-75140	1	WASHER			
7	•	20020-75180	1	ROPE			
8	•	20010-75190	1	STARTER KNOB			
9	•	20010-75210	1	STOPPER			
10	•	20010-75230	1	TAPE			
11		70131-75200	1	STARTER PULLY ASSY			
12	•	70131-75211	1	STARTER PULLEY			
13	•	20024-75220	1	RATCHET			
14	•	20024-75230	1	RETURN SPRING			
15	•	20024-75240	1	E RING			
16		20000-76210	1	NUT			
17		20020-76111	1	GASKET STARTER			
18		11022-04160	3	BOLT SPW			
19		11060-04203	1	BOLT ADHESIVE			
20		19420-00027	1	LABEL TRADE			

6. CARBURETOR, AIR CLEANER



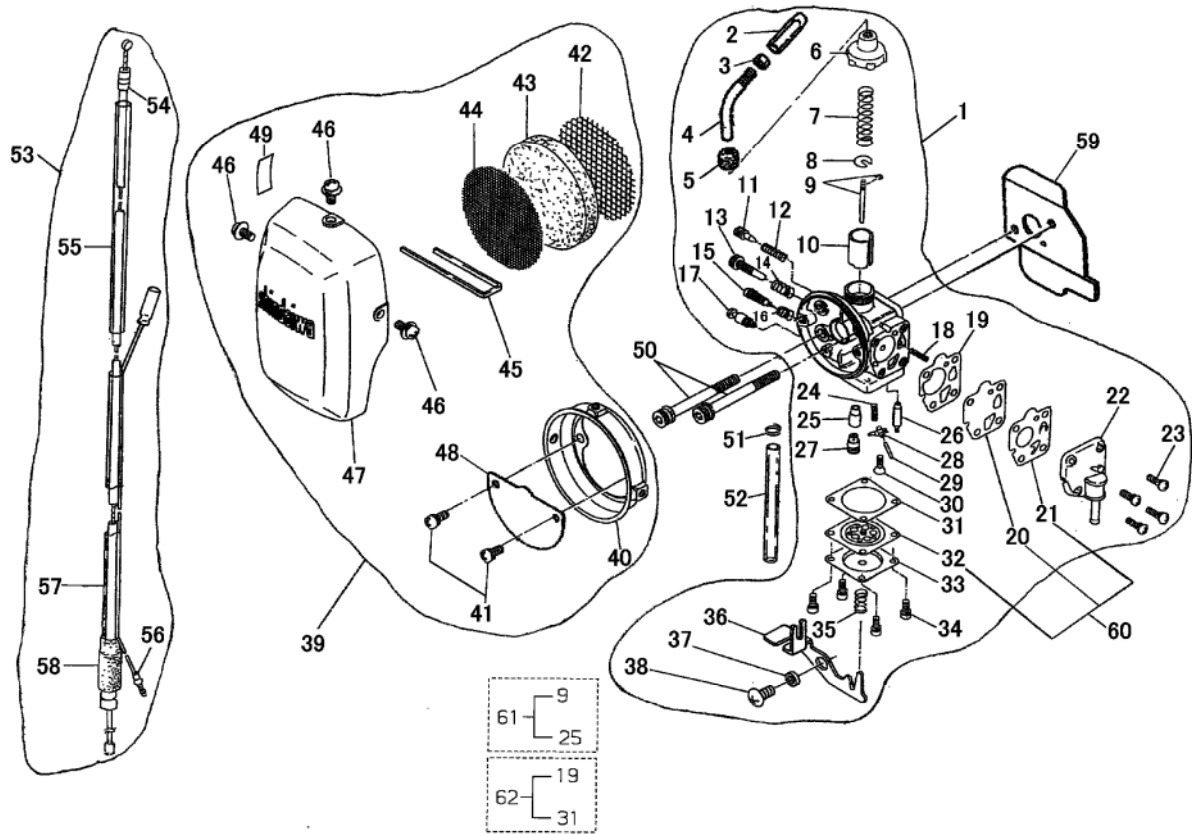
KEY	LV	PART NUMBER	Q'TY	DESCRIPTION	REMARKS	NOTE1	NOTE2
1		20021-81021	1	CARBURETOR BODY			
2	•	20055-81810	1	CABLE ADJUSTER			
3	•	20000-81260	1	LOCK NUT			
4	•	20055-81830	1	ADJUST PIPE			
5	•	20021-81130	1	CAP			
6	•	20021-81121	1	BODY CAP			
7	•	20020-81140	1	SPRING			
8	•	20020-81150	1	SPRING RECIEVE			
9	•	20021-81171	1	JET NEEDLE			
10	•	20021-81180	1	THROTTLE VALVE			
11	•	20000-81330	1	SLOW AIR SCREW			
12	•	20000-81340	1	SPRING			
13	•	20000-81310	1	SLOW STOP SCREW			
14	•	20010-81820	1	SPRING			
15	•	20011-81351	1	ADJUST SCREW			
16	•	20011-81360	1	SPRING			
17	•	20011-81550	1	ORVER FLOW VALVE			
18	•	20011-81680	1	SPRING			
19	•	20011-81630	1	GASKET			
20	•	20011-81621	1	DIAPHRAGM			
21	•	20020-81660	1	PUMP VALVE			
22	•	20021-81640	1	PUMP BODY			
23	•	20000-81650	4	SCREW			
24	•	20021-81430	1	VALVE SPRING			
25	•	20020-81410	1	NEEDLE JET			
26	•	20000-81441	1	NEEDLE VALVE			

6. CARBURETOR, AIR CLEANER



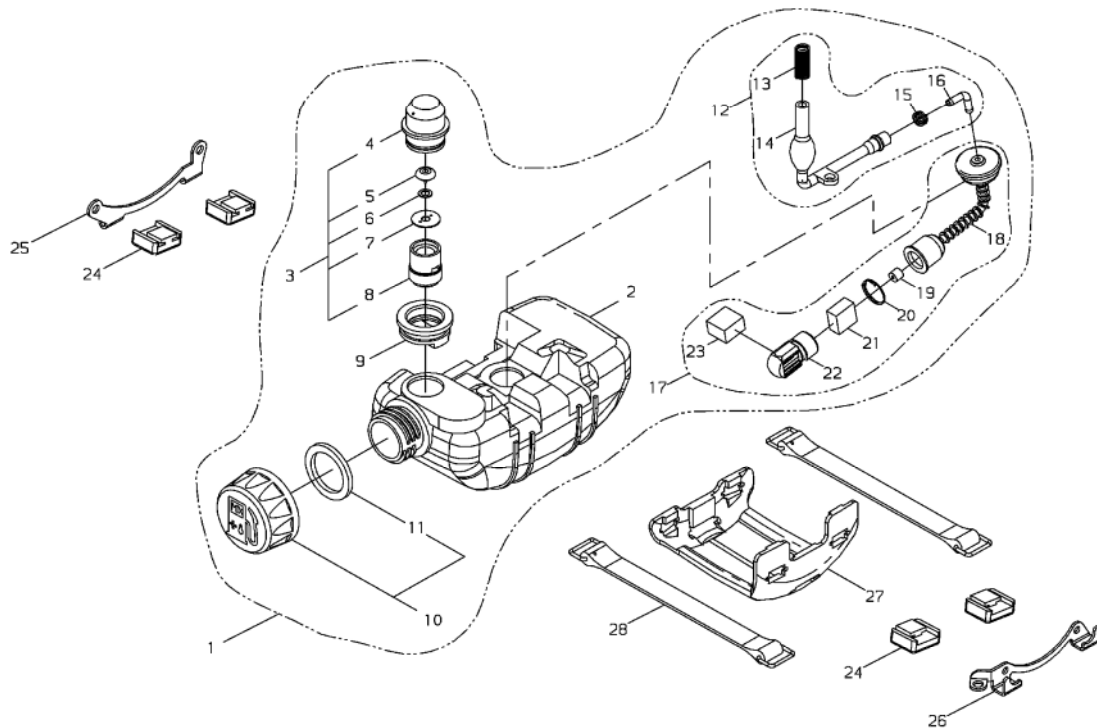
KEY	LV	PART NUMBER	Q'TY	DESCRIPTION	REMARKS	NOTE1	NOTE2
27	•	20020-81420	1	JET HOLDER			
28	•	20020-81451	1	LEVER			
29	•	20000-81460	1	PIN			
30	•	20000-81470	1	SCREW			
31	•	20020-81510	1	GASKET			
32	•	20021-81520	1	DIAPHRAGM			
33	•	20020-81530	1	COVER DIAPHRAGM			
34	•	20000-81540	4	SCREW			
35	•	20011-81571	1	SPRING			
36	•	20021-81560	1	TICKLER LEVER			
37	•	20011-81590	1	COLLAR			
38	•	20011-81581	1	SCREW			
39		20021-81700	1	AIR CLEANER SUB ASSY			
40	•	20010-81711	1	CLEANER BODY			
41	•	20000-81730	2	SCREW			
42	•	20010-81760	1	NET B			
43	•	20000-81740	1	FILTER			
44	•	20000-81750	1	NET A			
45	•	20010-81781	1	SPRING NET			
46	•	20000-81735	3	SCREW			
47	•	20010-81771	1	CLEANER COVER			
48	•	20021-81790	1	PLATE			
49	•	19404-00008	1	LABEL CHOKE			
50		11020-05480	2	BOLT SW			
51		20021-85540	1	CLIP			
52		20000-83313	1	PIPE			

6. CARBURETOR, AIR CLEANER



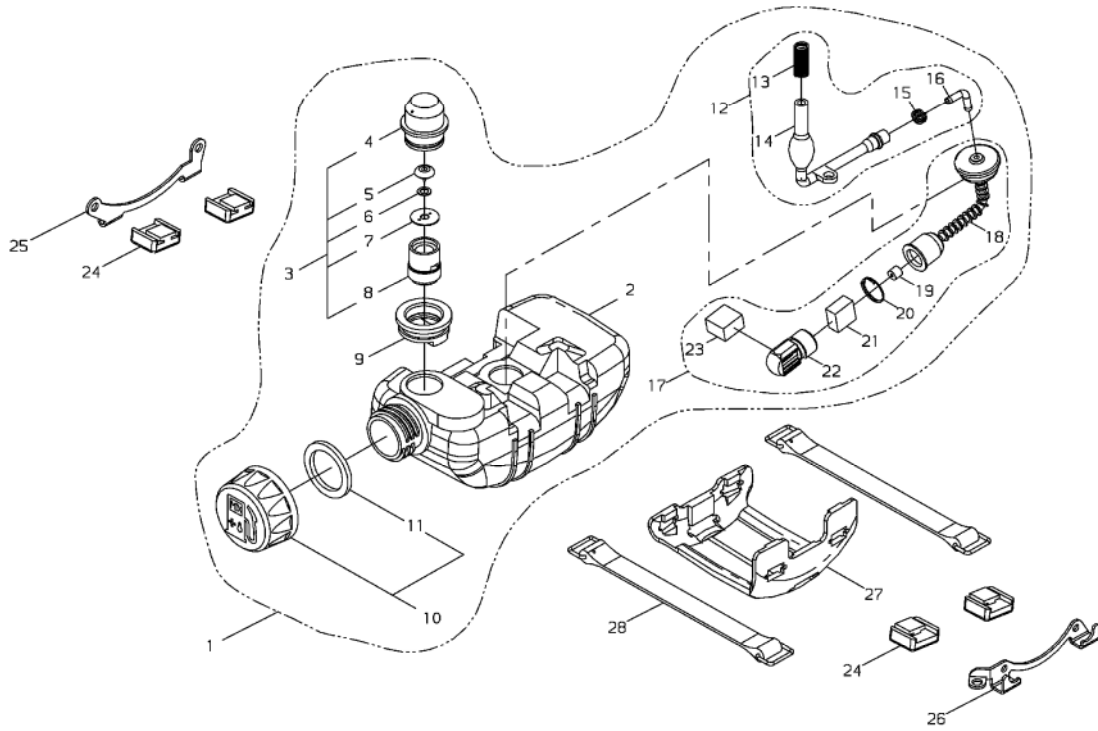
KEY	LV	PART NUMBER	Q'TY	DESCRIPTION	REMARKS	NOTE1	NOTE2
53		62113-83010	1	THROTTLE CABLE ASSY			
54	•	20021-83110	1	THROTTLE CABLE			
55	•	20011-83140	1	PIPE			
56	•	14352-02401	1	LEAD WIRE			
57	•	20011-83120	1	PIPE			
58	•	20005-83160	1	CABLE CAP			
59		20021-83411	1	GASKET CARBURETOR			
60		20021-81920	1	DIAPHRAGM KIT			
20	•	20011-81621	1	DIAPHRAGM			
21	•	20020-81660	1	PUMP VALVE			
32	•	20021-81520	1	DIAPHRAGM			
61		20021-81931	1	JET NEEDLE KIT			
9	•	20021-81171	1	JET NEEDLE			
25	•	20020-81410	1	NEEDLE JET			
62		20020-81910	1	GASKET KIT			
19	•	20011-81630	1	GASKET			
31	•	20020-81510	1	GASKET			

7. FUEL TANK



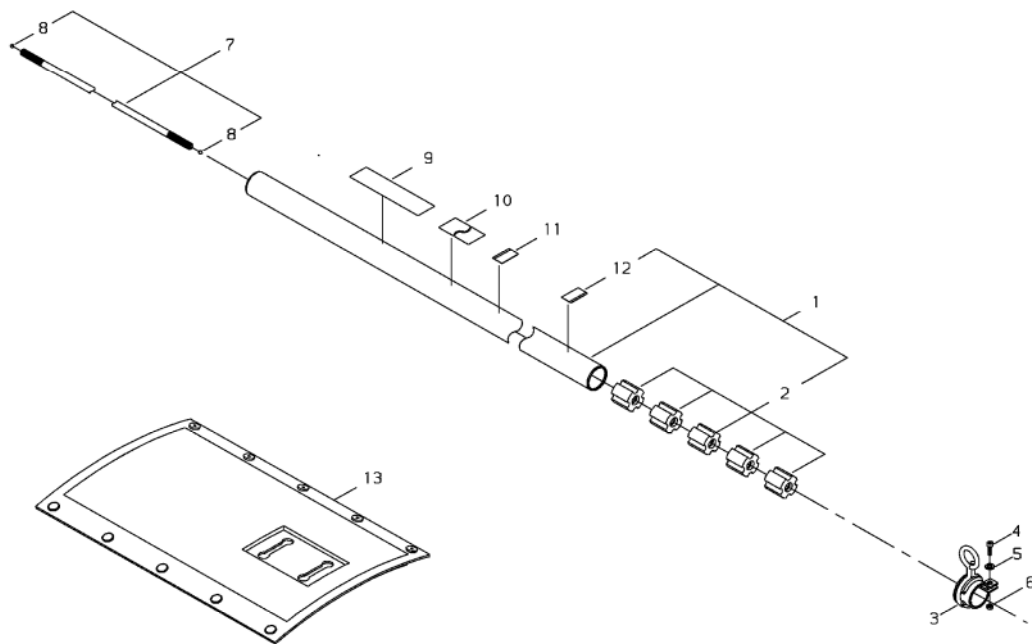
KEY	LV	PART NUMBER	Q'TY	DESCRIPTION	REMARKS	NOTE1	NOTE2
1		20011-85002	1	FUEL TANK ASSY			
2	•	20011-85112	1	FUEL TANK			
3	•	20000-85500	1	BREATHER SUB ASSY			
4	• •	20000-85511	1	CAP BREATHER			
5	• •	22100-85260	1	VALVE FUEL			
6	• •	22100-85250	1	WASHER FUEL			
7	• •	22100-85240	1	RETAINER FUEL			
8	• •	20000-85521	1	HOLDER VALVE			
10	•	20000-85201	1	FUEL CAP ASSY			
11	• •	20000-85221	1	GASKET			
12	•	20000-85303	1	FUEL PIPE SUB ASSY			
13	• •	20000-85340	1	CLAMP A			
14	• •	20000-85313	1	FUEL PIPE			
15	• •	20000-85350	1	CLAMP B			
16	• •	20000-85321	1	JOINT PIPE			
17	•	20011-85401	1	FUEL FILTER SUB ASSY			
18	• •	20011-85451	1	SUCTION PIPE			
19	• •	20000-85440	1	CHECK VALVE			
20	• •	22102-85440	1	CLIP			
21	• •	22100-85431	1	FILTER B			
22	• •	22100-85411	1	WEIGHT FUEL			
23	• •	22100-85420	1	FILTER A			
24	• •	20010-86130	4	CUSHION			
25		20011-86120	1	BRACKET M			
26		20021-86110	1	BRACKET S			
27		70005-86131	1	TANK GUARD			

7. FUEL TANK



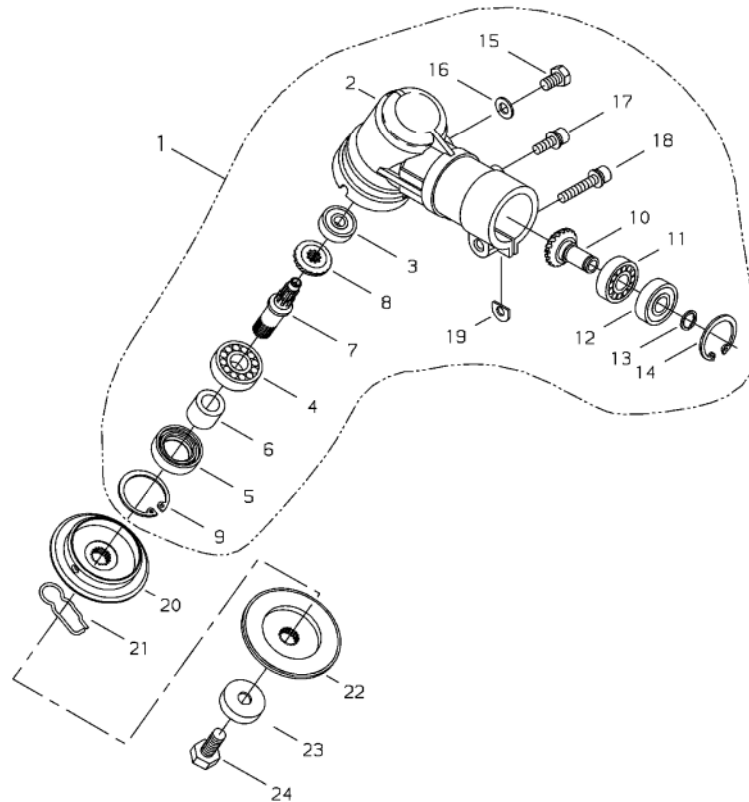
KEY	LV	PART NUMBER	Q'TY	DESCRIPTION	REMARKS	NOTE1	NOTE2
28		20020-86140	2	BAND			

8. OUTER PIPE



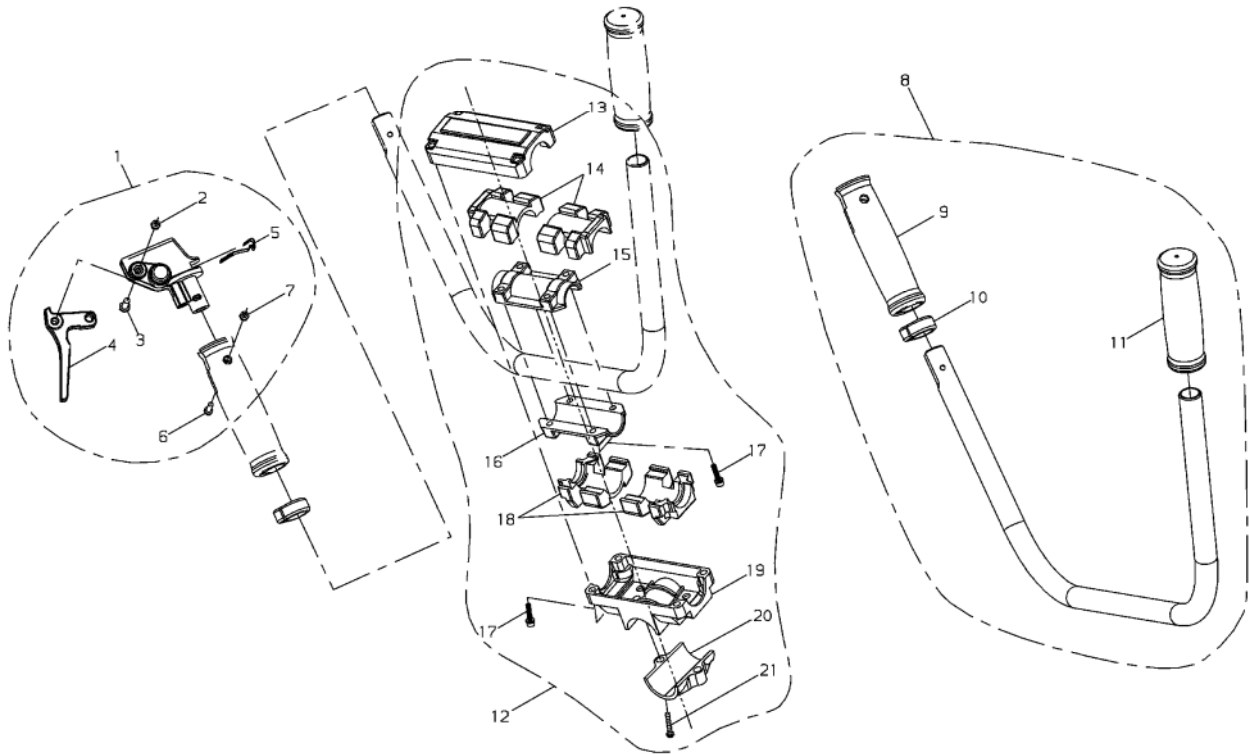
KEY	LV	PART NUMBER	Q'TY	DESCRIPTION	REMARKS	NOTE1	NOTE2
1		63081-62010	1	OUTER PIPE COMP			
2	•	22021-12120	5	BUSHING			
12	•	72005-12140	1	CAUTION PLATE			
3		22017-12210	1	HANGER			
4		01020-05120	1	BOLT	M5*12		
5		01600-05131	1	SPRING WASHER			
6		01500-05041	1	NUT	M5		
7		22021-12400	1	MAIN SHAFT SUB ASSY			
8	•	22021-12420	2	STOPPER			
9		19420-00084	1	LABEL TRADE			
10		19422-00029	1	LABEL CAUTION			
11		19401-00269	1	LABEL INST			
13		22017-17110	1	PROTECTOR			

9. GEAR CASE



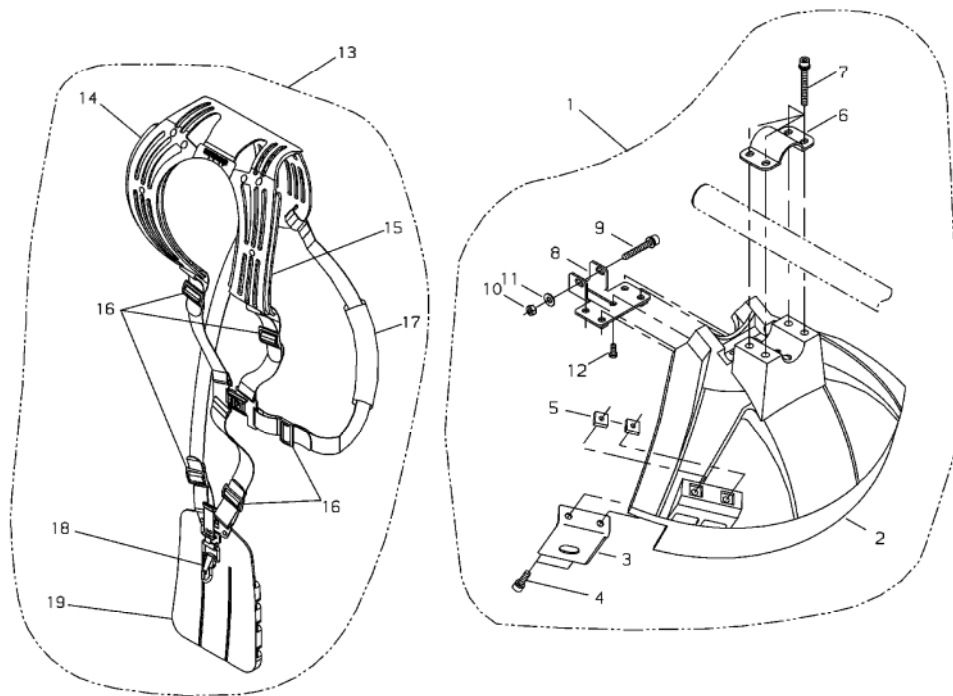
KEY	LV	PART NUMBER	Q'TY	DESCRIPTION	REMARKS	NOTE1	NOTE2
1		72080-13013	1	GEAR CASE SUB ASSY			
2	•	63020-63110	1	GEAR CASE			
3	•	02006-06000	1	BEARING			
4	•	02000-06202	1	BEARING			
5	•	72447-13121	1	OIL SEAL			
6	•	22015-13230	1	COLLAR			
7	•	22015-13210	1	GEAR SHAFT			
8	•	22015-13220	1	BEVEL GEAR			
9	•	02432-35150	1	SNAP RING			
10	•	22021-13390	1	PINION SET			
11	•	02000-06001	1	BEARING			
12	•	02002-06001	1	BEARING			
13	•	20000-31140	1	SNAP RING			
14	•	02432-28120	1	SNAP RING			
15	•	22015-13410	1	BOLT			
16	•	22015-13420	1	GASKET			
17	•	11022-06140	1	BOLT SPW			
18	•	11022-06280	1	BOLT SPW			
19	•	22011-13450	1	SHIM			
20		72447-13240	1	HOLDER A			
21		22015-13290	1	SLIDE PIN			
22		72017-63170	1	HOLDER			
23		22015-13270	1	BOLT GUARD			
24		22015-13261	1	BOLT			

10. HANDLE, THROTTLE LEVER



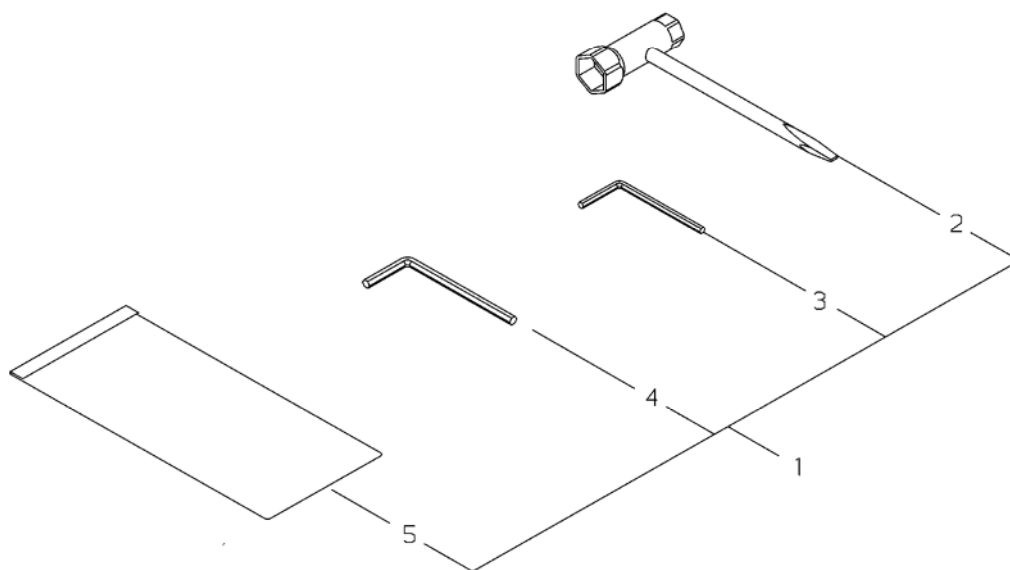
KEY	LV	PART NUMBER	Q'TY	DESCRIPTION	REMARKS	NOTE1	NOTE2
1		22015-14301	1	LEVER COMP			
2	•	72935-61240	1	LOCK NUT			
3	•	22015-14340	1	BOLT			
4	•	22015-14331	1	LEVER			
5	•	22015-14321	1	LEVER STOPPER			
6	•	01020-04240	1	BOLT			
7	•	22015-14390	1	NYLON NUT			
8		22020-14200	1	HANDLE COMP			
9	•	22015-14220	1	RIGHT GRIP			
10	•	22015-14290	1	CABLE HOLDER			
11	•	22015-14230	1	LEFT GRIP			
12		72555-14100	1	BRACKET COMP			
13	•	72555-14130	1	UPPER CAP			
14	•	22015-14170	2	UPPER CUSHION			
15	•	22015-14150	1	UPPER CLAMP			
16	•	22015-14140	1	LOWER CLAMP			
17	•	11022-05250	8	BOLT SPW			
18	•	22015-14160	2	LOWER CUSHION			
19	•	72555-14110	1	HANDLE BRACKET			
20	•	72555-14120	1	LOWER CAP			
21	•	11210-06250	2	SCREW BUTTON			

11. GUARD, HARNESS



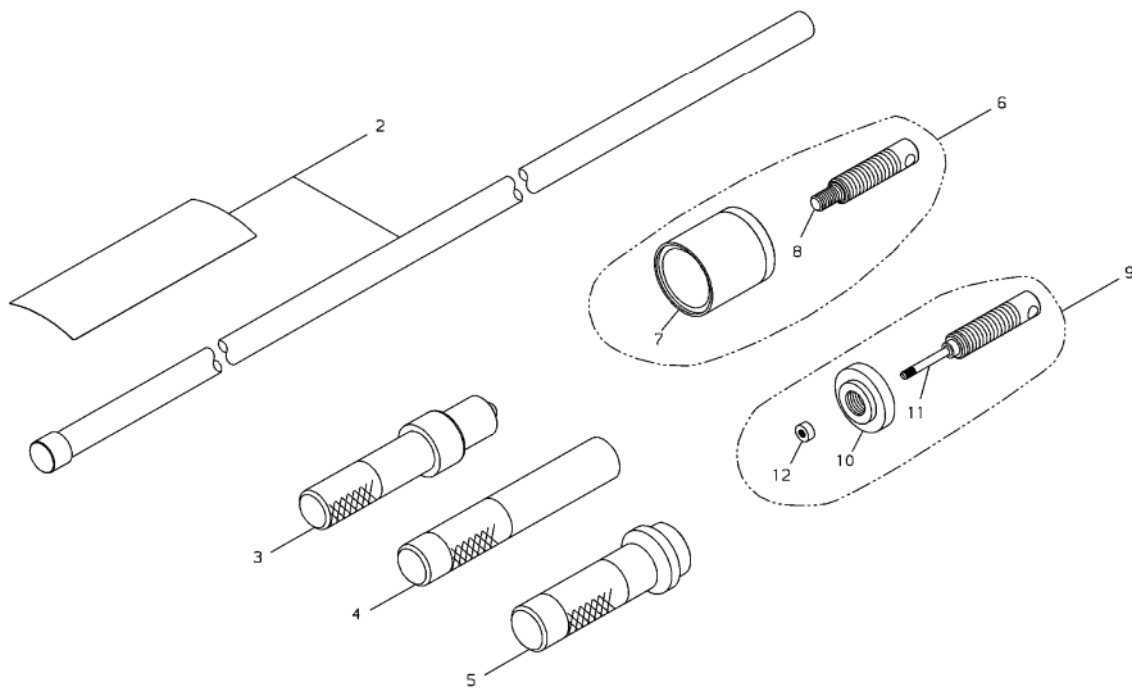
KEY	LV	PART NUMBER	Q'TY	DESCRIPTION	REMARKS	NOTE1	NOTE2
1		72550-16001	1	GUARD ASSY			
2	•	72480-16113	1	GUARD			
3	•	72480-16121	1	CUTTER			
4	•	11020-05160	2	BOLT SW			
5	•	22420-16120	2	NUT			
6	•	72480-16210	1	UPPER CLAMP			
7	•	11022-05450	4	BOLT SPW			
8	•	72017-16130	1	LOWER CLAMP			
9	•	11022-06400	1	BOLT SPW			
10	•	01500-06051	1	NUT	M6		
11	•	01613-06100	1	WASHER			
12	•	11202-40100	1	SCREW HILO 4X10			
13		64007-67011	1	HARNESS ASSY			
14	•	7245117350	1	PAD			
15	•	7245117360	1	PAD			
16	•	72451-17340	5	BUCKLE			
17	•	72451-17330	1	PROTECTOR			
18	•	72451-17380	1	HOOK			
19	•	72451-17370	1	PAD			

12. TOOL



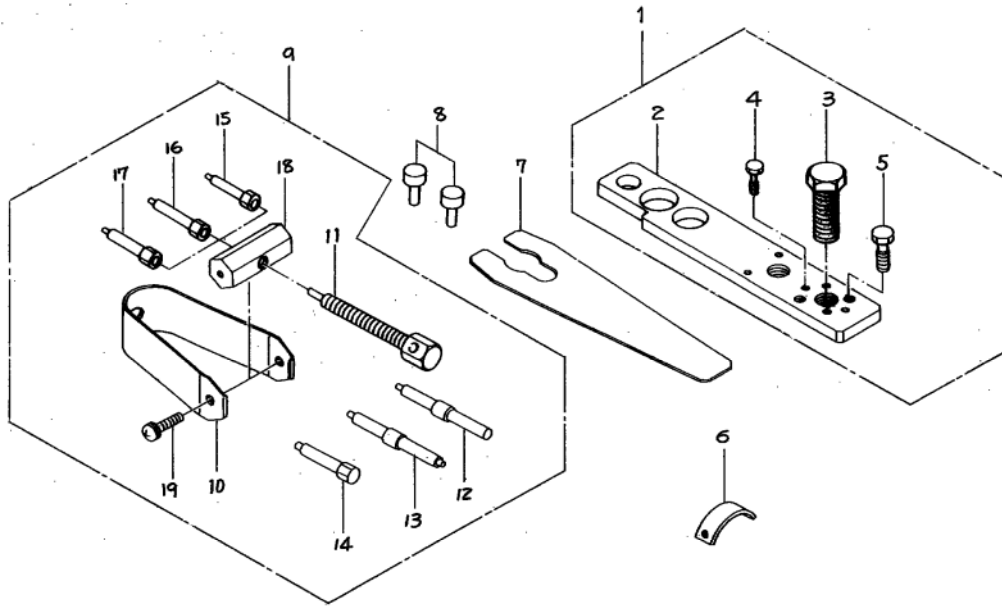
KEY	LV	PART NUMBER	Q'TY	DESCRIPTION	REMARKS	NOTE1	NOTE2
1		72017-91000	1	TOOL SET			
2	•	72518-91180	1	WRENCH 17X19			
3	•	09026-04001	1	HEXA WRENCH	4MM M5㉿		
4	•	09026-05001	1	HEXA WRENCH 6MM			
5	•	19639-01700	1	TOOL BAG			

13. OPTION TOOL (SHAFT)



KEY	LV	PART NUMBER	Q'TY	DESCRIPTION	REMARKS	NOTE1	NOTE2
1		22000-96101	1	ROD BUSHING ASSY			
3		22015-96210	1	ROD			
4		22015-96310	1	ROD			
5		22015-96410	1	ROD			
6		22015-96500	1	PULLER ASSY			
7	•	22015-96510	1	HOLDER			
8	•	22015-96520	1	BOLT			
9		22015-96600	1	PULLER ASSY			
10	•	22015-96610	1	HOLDER A			
11	•	22000-96621	1	BOLT			
12	•	22000-96630	1	NUT			

14. OPTION TOOL (ENGINE)



KEY	LV	PART NUMBER	Q'TY	DESCRIPTION	REMARKS	NOTE1	NOTE2
1		20000-96104	1	PULLER ASSY			
2	•	20000-96114	1	LEVER			
3	•	22100-96121	1	CENTER BOLT			
4	•	20000-96130	3	BOLT			
5	•	20000-96140	2	BOLT			
6		20000-96210	1	AIR GAP GAUGE			
7		20000-96411	1	ROTOR SPANNER			
8		20021-96420	2	STOPPER			
9		20021-96601	1	PULLER ASSY			
10	•	20021-96611	1	PULLER			
11	•	20021-96621	1	BOLT			
12	•	20000-96631	1	GUIDE PIN			
13	•	20035-96630	1	GUIDE PIN			
14	•	20021-96630	1	GUIDE PIN			
15	•	20021-96650	1	PIN ADAPTER			
16	•	20021-96660	1	PIN ADAPTER			
17	•	20021-96670	1	PIN ADAPTER			
18	•	20000-96640	1	BOSS			
19	•	01211-06120	2	SCREW SW			

Index

Patrs Number	Key No.	Patrs Number	Key No.	Patrs Number	Key No.
01020-04240	4 - 12	12900-62020	2 - 5	20010-71631	4 - 11
01020-04240	10 - 6	14352-02401	6 - 56	20010-71650	4 - 14
01020-05120	8 - 4	19401-00269	8 - 11	20010-75190	5 - 8
01020-05250	1 - 3	19404-00008	6 - 49	20010-75210	5 - 9
01020-05250	2 - 27	19420-00027	5 - 20	20010-75230	5 - 10
01020-05300	2 - 8	19420-00084	8 - 9	20010-81711	6 - 40
01020-06250	1 - 11	19422-00029	8 - 10	20010-81760	6 - 42
01211-06120	14 - 19	19639-01700	12 - 5	20010-81771	6 - 47
01500-05041	8 - 6	20000-31140	9 - 13	20010-81781	6 - 45
01500-06051	11 - 10	20000-72230	4 - 10	20010-81820	6 - 14
01600-04101	4 - 13	20000-76210	5 - 16	20010-86130	7 - 24
01600-05131	1 - 4	20000-81260	6 - 3	20011-12260	1 - 8
01600-05131	2 - 28	20000-81310	6 - 13	20011-31230	2 - 13
01600-05131	8 - 5	20000-81330	6 - 11	20011-35110	2 - 22
01610-05080	2 - 29	20000-81340	6 - 12	20011-35141	2 - 25
01613-06100	11 - 11	20000-81441	6 - 26	20011-35151	2 - 26
02000-06001	9 - 11	20000-81460	6 - 29	20011-71660	4 - 6
02000-06202	9 - 4	20000-81470	6 - 30	20011-72110	4 - 7
02002-06001	9 - 12	20000-81540	6 - 34	20011-72120	4 - 8
02006-06000	9 - 3	20000-81650	6 - 23	20011-81351	6 - 15
02403-03100	4 - 2	20000-81730	6 - 41	20011-81360	6 - 16
02432-28120	9 - 14	20000-81735	6 - 46	20011-81550	6 - 17
02432-32120	2 - 11	20000-81740	6 - 43	20011-81571	6 - 35
02432-35150	9 - 9	20000-81750	6 - 44	20011-81581	6 - 38
09026-04001	12 - 3	20000-83313	6 - 52	20011-81590	6 - 37
09026-05001	12 - 4	20000-85201	7 - 10	20011-81621	6 - 20
11020-05160	11 - 4	20000-85221	7 - 11	20011-81621	6 - 20
11020-05480	6 - 50	20000-85303	7 - 12	20011-81630	6 - 19
11022-04160	5 - 18	20000-85313	7 - 14	20011-81630	6 - 19
11022-05160	2 - 31	20000-85321	7 - 16	20011-81680	6 - 18
11022-05180	2 - 20	20000-85340	7 - 13	20011-83120	6 - 57
11022-05200	2 - 14	20000-85350	7 - 15	20011-83140	6 - 55
11022-05200	2 - 24	20000-85440	7 - 19	20011-85002	7 - 1
11022-05250	1 - 7	20000-85500	7 - 3	20011-85112	7 - 2
11022-05250	10 - 17	20000-85511	7 - 4	20011-85401	7 - 17
11022-05300	2 - 15	20000-85521	7 - 8	20011-85451	7 - 18
11022-05450	11 - 7	20000-96104	14 - 1	20011-86120	7 - 25
11022-06140	9 - 17	20000-96114	14 - 2	20020-51112	3 - 11
11022-06280	9 - 18	20000-96130	14 - 4	20020-51121	3 - 12
11022-06400	11 - 9	20000-96140	14 - 5	20020-51131	3 - 13
11024-04160	2 - 17	20000-96210	14 - 6	20020-51140	3 - 14
11024-05120	1 - 12	20000-96411	14 - 7	20020-51150	3 - 15
11060-04203	5 - 19	20000-96631	14 - 12	20020-75180	5 - 7
11202-40100	11 - 12	20000-96640	14 - 18	20020-76111	5 - 17
11210-06250	10 - 21	20005-83160	6 - 58	20020-81140	6 - 7
11527-10212	4 - 3	20010-12121	1 - 2	20020-81150	6 - 8
12492-50100	2 - 7	20010-12121	3 - 2	20020-81410	6 - 25
12900-60021	2 - 10	20010-21211	2 - 3	20020-81410	6 - 25
12900-62020	2 - 2	20010-21211	2 - 6	20020-81420	6 - 27

Index

Patrs Number	Key No.	Patrs Number	Key No.	Patrs Number	Key No.
20020-81451	6 - 28	20055-81810	6 - 2	22102-85440	7 - 20
20020-81510	6 - 31	20055-81830	6 - 4	22152-41231	3 - 6
20020-81510	6 - 31	22000-96101	13 - 1	22420-16120	11 - 5
20020-81530	6 - 33	22000-96621	13 - 11	62104-15110	1 - 9
20020-81660	6 - 21	22000-96630	13 - 12	62104-15210	1 - 10
20020-81660	6 - 21	22011-13450	9 - 19	62104-32310	2 - 19
20020-81910	6 - 62	22015-13210	9 - 7	62104-32320	2 - 21
20020-86140	7 - 28	22015-13220	9 - 8	62112-32110	2 - 18
20021-12210	1 - 5	22015-13230	9 - 6	62113-31210	2 - 12
20021-12220	1 - 6	22015-13261	9 - 24	62113-83010	6 - 53
20021-41113	3 - 3	22015-13270	9 - 23	62113-91320	2 - 32
20021-41210	3 - 4	22015-13290	9 - 21	63020-63110	9 - 2
20021-41311	3 - 5	22015-13410	9 - 15	63081-62010	8 - 1
20021-41330	3 - 7	22015-13420	9 - 16	64007-67011	11 - 13
20021-41342	3 - 8	22015-14140	10 - 16	70005-86131	7 - 27
20021-42002	3 - 9	22015-14150	10 - 15	70012-35130	2 - 23
20021-81021	6 - 1	22015-14160	10 - 18	70014-74120	2 - 34
20021-81121	6 - 6	22015-14170	10 - 14	70062-21200	2 - 4
20021-81130	6 - 5	22015-14220	10 - 9	70084-31111	2 - 9
20021-81171	6 - 9	22015-14230	10 - 11	70131-34100	2 - 16
20021-81171	6 - 9	22015-14290	10 - 10	70131-75100	5 - 1
20021-81180	6 - 10	22015-14301	10 - 1	70131-75110	5 - 2
20021-81430	6 - 24	22015-14321	10 - 5	70131-75120	5 - 3
20021-81520	6 - 32	22015-14331	10 - 4	70131-75140	5 - 6
20021-81520	6 - 32	22015-14340	10 - 3	70131-75200	5 - 11
20021-81560	6 - 36	22015-14390	10 - 7	70131-75211	5 - 12
20021-81640	6 - 22	22015-96210	13 - 3	70198-12110	1 - 1
20021-81700	6 - 39	22015-96310	13 - 4	70200-33112	2 - 30
20021-81790	6 - 48	22015-96410	13 - 5	70200-71200	4 - 1
20021-81920	6 - 60	22015-96500	13 - 6	70200-71610	4 - 4
20021-81931	6 - 61	22015-96510	13 - 7	70200-71640	4 - 5
20021-83110	6 - 54	22015-96520	13 - 8	70210-51100	3 - 10
20021-83411	6 - 59	22015-96600	13 - 9	70210-51160	3 - 16
20021-85540	6 - 51	22015-96610	13 - 10	72005-12140	8 - 12
20021-86110	7 - 26	22017-12210	8 - 3	72017-16130	11 - 8
20021-96420	14 - 8	22017-17110	8 - 13	72017-63170	9 - 22
20021-96601	14 - 9	22020-14200	10 - 8	72017-91000	12 - 1
20021-96611	14 - 10	22021-12120	8 - 2	72080-13013	9 - 1
20021-96621	14 - 11	22021-12400	8 - 7	72080-98011	3 - 1
20021-96630	14 - 14	22021-12420	8 - 8	72080-98310	3 - 17
20021-96650	14 - 15	22021-13390	9 - 10	72447-13121	9 - 5
20021-96660	14 - 16	22100-85240	7 - 7	72447-13240	9 - 20
20021-96670	14 - 17	22100-85250	7 - 6	72451-17330	11 - 17
20024-75130	5 - 4	22100-85260	7 - 5	72451-17340	11 - 16
20024-75220	5 - 13	22100-85411	7 - 22	7245117350	11 - 14
20024-75230	5 - 14	22100-85420	7 - 23	7245117360	11 - 15
20024-75240	5 - 15	22100-85431	7 - 21	72451-17370	11 - 19
20035-75170	5 - 5	22100-96121	14 - 3	72451-17380	11 - 18
20035-96630	14 - 13	22102-72220	4 - 9	72480-16113	11 - 2

Index

Patrs Number	Key No.	Patrs Number	Key No.	Patrs Number	Key No.
72480-16121	11 - 3				
72480-16210	11 - 6				
72518-91180	12 - 2				
72550-16001	11 - 1				
72555-14100	10 - 12				
72555-14110	10 - 19				
72555-14120	10 - 20				
72555-14130	10 - 13				
72930-14210	2 - 33				
72935-21101	2 - 1				
72935-61240	10 - 2				
CJ-8	4 - 15				

YAMABIKO CORPORATION

7-2 SUEHIROCHO 1-CHOME, OHME, TOKYO 198-8760, JAPAN
PHONE: 81-428-32-6118. FAX: 81-428-32-6145.

shindaiwa[®]

INTL
No.