

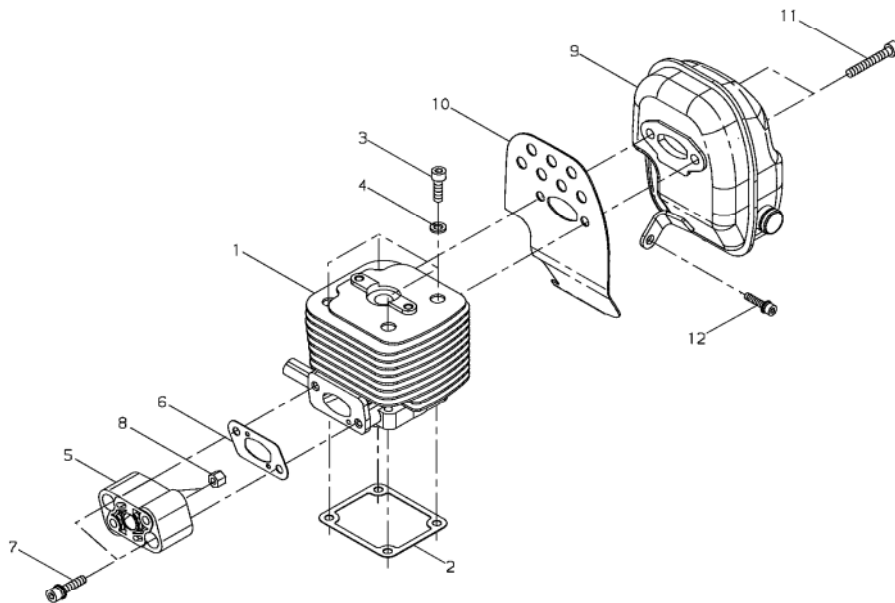
shindaiwa[®]

PARTS CATALOGUE

BRUSHCUTTER

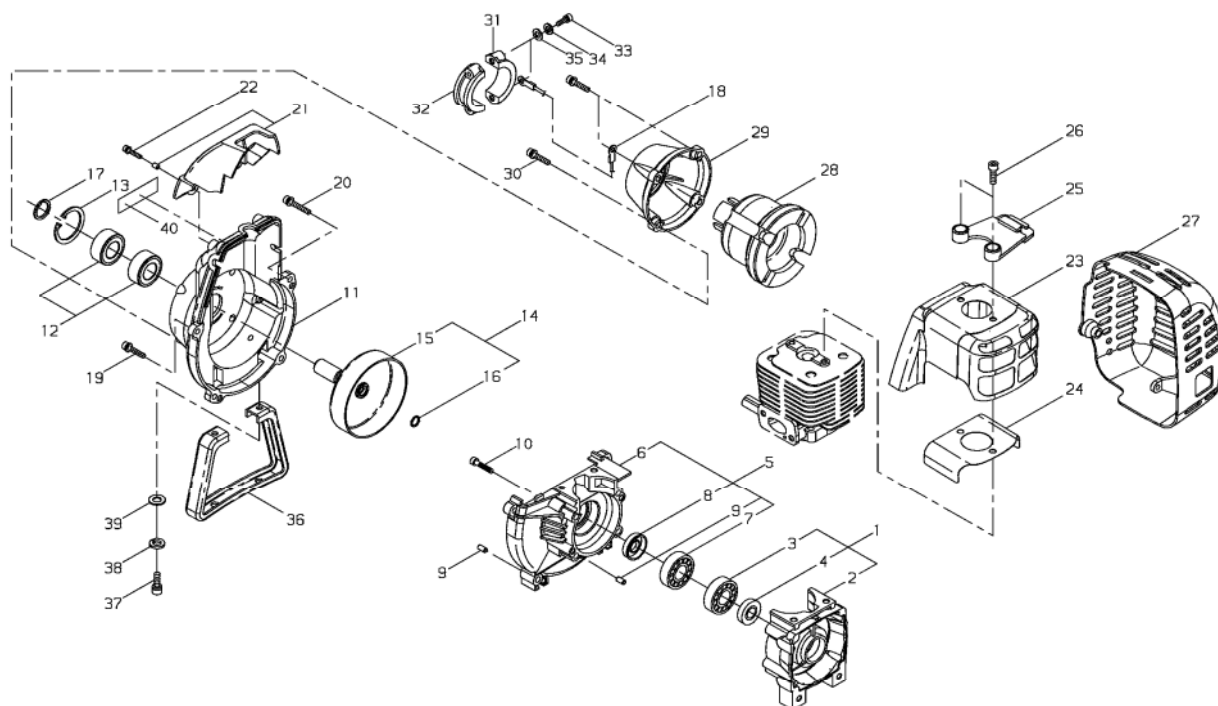
B450 EC1

1. CYLINDER, MUFFLER



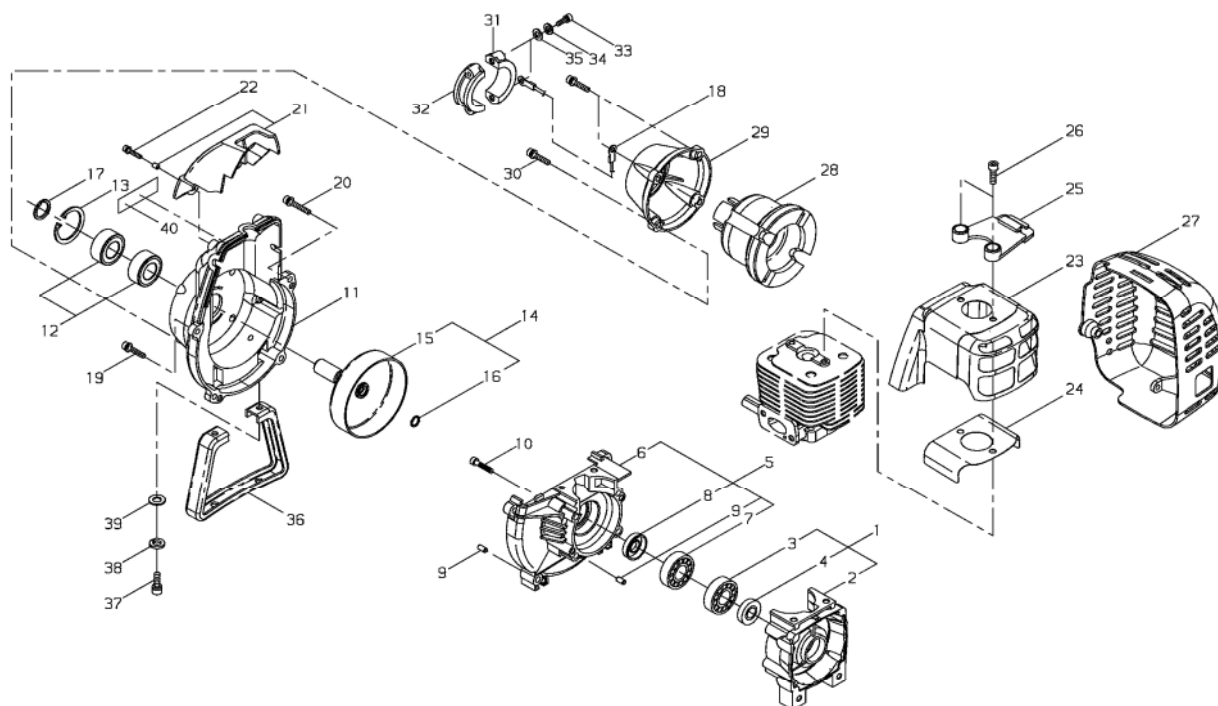
KEY	LV	PART NUMBER	Q'TY	DESCRIPTION	REMARKS	NOTE1	NOTE2
1		70210-12111	1	CYLINDER			
2		20010-12121	1	GASKET CYLINDER			
3		01020-05250	4	BOLT		M5x25	
4		01600-05131	4	SPRING WASHER		5mm	
5		20060-12210	1	INSULATOR			
6		20011-12221	1	GASKET			
7		11022-05250	2	BOLT SPW		M5x25	
8		20024-12260	2	NUT			
9		62104-15110	1	MUFFLER			
10		62104-15210	1	GASKET			
11		01020-06250	2	BOLT		M6x25	
12		11024-05120	1	BOLT SLPW		M5x12	

2. CRANKCASE



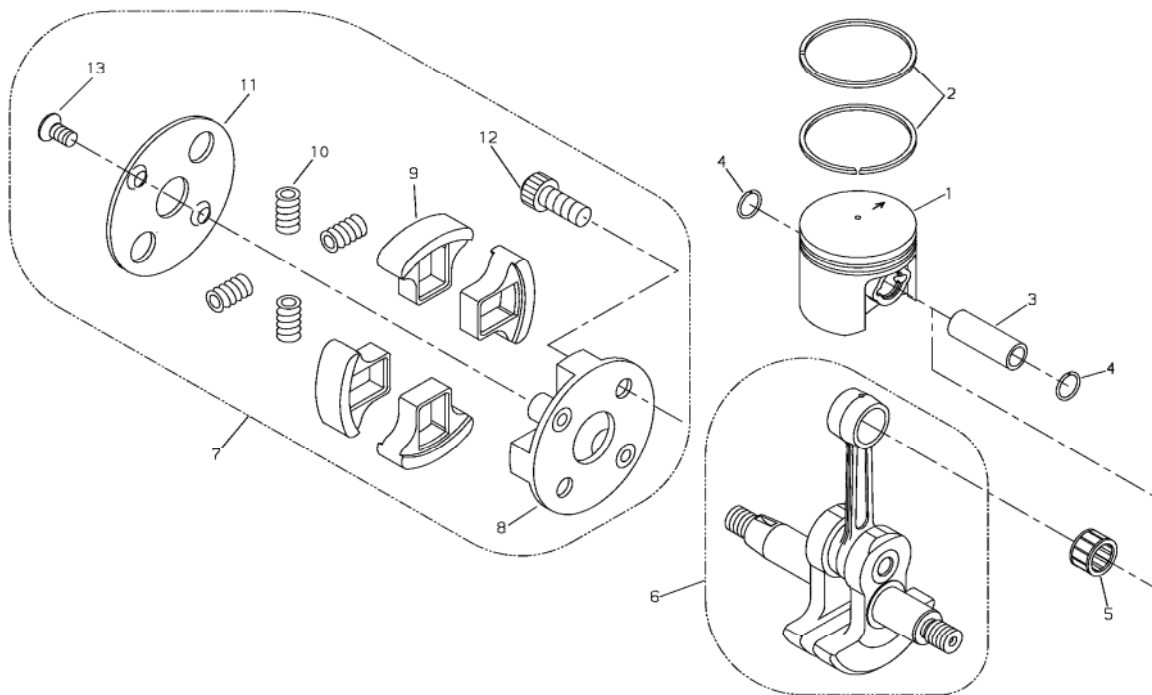
KEY	LV	PART NUMBER	Q'TY	DESCRIPTION	REMARKS	NOTE1	NOTE2
1		72935-21101	1	CRANK CASE S COMP			
2	•	72935-21111	1	CRANK CASE S			
3	•	12900-62020	1	BEARING		6202,C3	
4	•	20010-21211	1	OIL SEAL			
5		70062-21200	1	CRANK CASE M COMP			
6	•	72921-21121	1	CRANK CASE M			
7	•	12900-62020	1	BEARING		6202,C3	
8	•	20010-21211	1	OIL SEAL			
9	•	12492-50100	4	ROLLER		φ5xL10	
10		01020-05300	4	BOLT		M5x30	
11		70012-31111	1	FAN COVER			
12		02006-06002	2	BEARING		6002DDU	
13		02432-32120	1	SNAP RING		32mm C	
14		20021-31200	1	CLUTCH DRUM SET			
15		20021-31210	1	CLUTCH DRUM			
16		20021-31220	1	SNAP RING			
17		20011-31230	1	SNAP RING			
18		70192-31510	1	EARTH CORD			
19		11022-05200	3	BOLT SPW		M5x20	
20		11022-05300	1	BOLT SW		M5x30	
21		70131-34100	1	PROTECTOR COMP			
22		11024-04160	2	BOLT SLPW		M4x16	
23		70210-32111	1	CYLINDER COVER			
24		70196-32141	1	GASKET			
25		11022-05180	2	BOLT SPW		M5x18	
26		62104-32310	1	STAY			

2. CRANKCASE



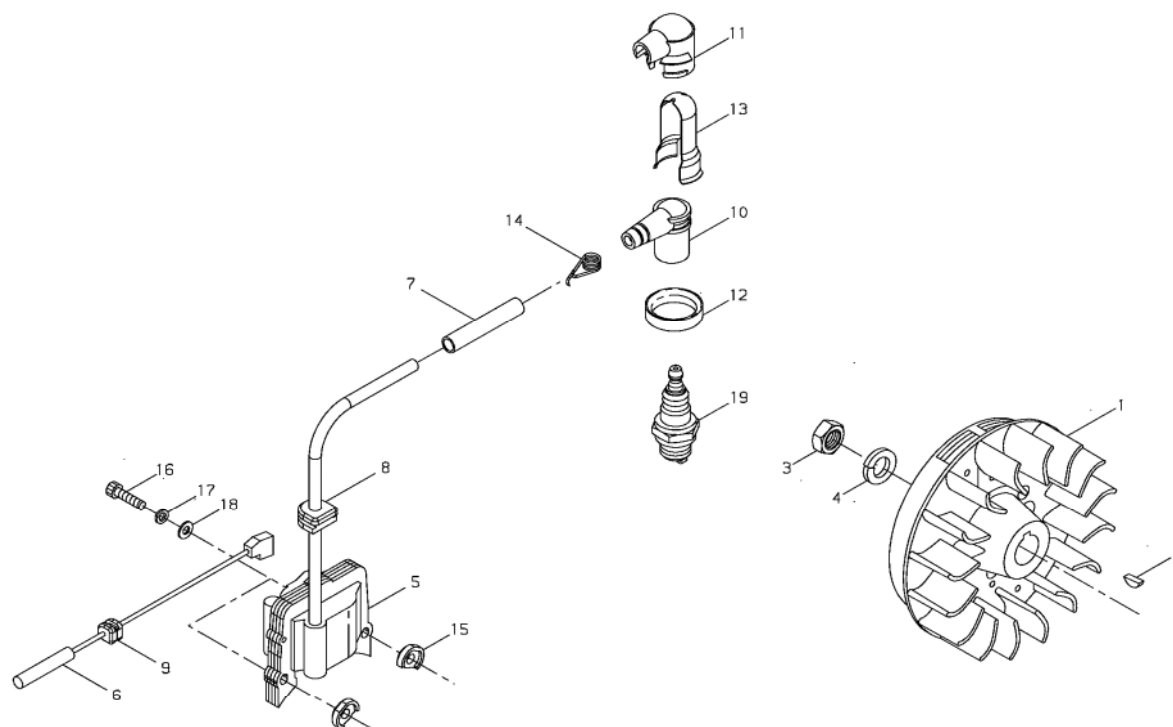
KEY	LV	PART NUMBER	Q'TY	DESCRIPTION	REMARKS	NOTE1	NOTE2
27		62104-32321	1	MUFFLER COVER			
28		20011-35110	1	JOINT			
29		70012-35130	1	CAP JOINT			
30		11022-05200	4	BOLT SPW		M5x20	
31		20011-35141	1	CLAMP A			
32		20011-35151	1	CLAMP B			
33		01020-05250	2	BOLT		M5x25	
34		01600-05131	2	SPRING WASHER		5mm	
35		01610-05080	2	WASHER		5mm	
36		70200-33112	1	STAND			
37		70210-33120	2	BOLT			
38		01600-05131	2	SPRING WASHER		5mm	
39		01613-05080	2	WASHER		5mm	
40		70210-31150	1	LABEL TRADE			

3. PISTON, CRANKSHAFT, CLUTCH



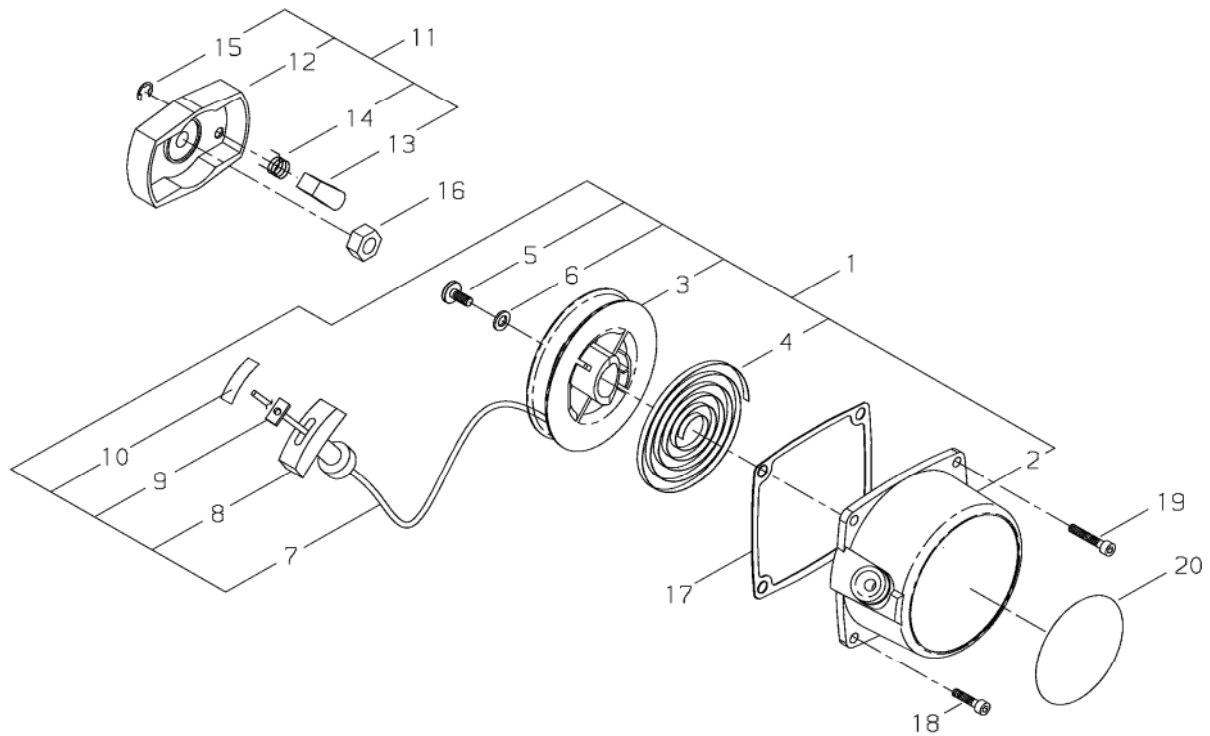
KEY	LV	PART NUMBER	Q'TY	DESCRIPTION	REMARKS	NOTE1	NOTE2
1		70210-41110	1	PISTON			
2		22182-41210	2	PISTON RING			
3		22160-41220	1	PISTON PIN			
4		22100-41230	2	SNAP RING			
5		22160-41240	1	BEARING			
6		70210-42001	1	CRANK SHAFT ASSY			
7		70210-51100	1	CLUTCH SHOE ASSY			
8	•	20020-51112	1	CLUTCH BOSS			
9	•	20020-51121	4	CLUTCH SHOE			
10	•	20020-51131	4	SPRING			
11	•	20020-51140	1	PLATE			
12	•	20020-51150	2	CLUTCH BOLT			
13	•	70210-51160	2	SCREW FLAT			

4. MAGNETO



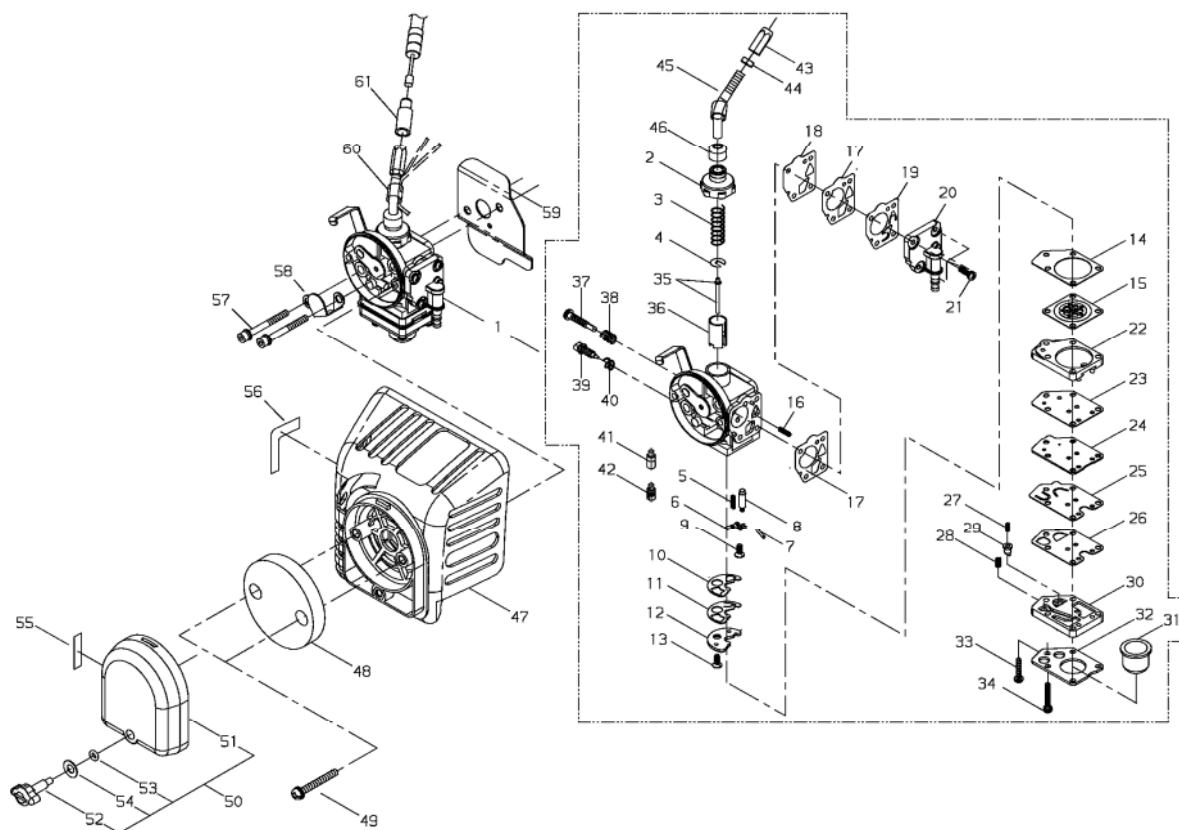
KEY	LV	PART NUMBER	Q'TY	DESCRIPTION	REMARKS	NOTE1	NOTE2
1		70200-71200	1	ROTOR			
2		02403-03100	1	KEY	3*10	3x10 A	
3		01511-10061	1	NUT		M10	
4		01600-10251	1	SPRING WASHER		10mm	
5		70200-71610	1	COIL			
6		70200-71640	1	CORD			
7		20011-71660	1	TUBE			
8		20011-72110	1	GROMMET			
9		20011-72120	1	GROMMET			
10		20010-72221	1	PLUG CAP			
11		20000-72241	1	PLUG CAP COVER			
12		20000-72250	1	COVER BAND			
13		70180-72260	1	SHIELD			
14		20000-72230	1	SPRING SPARK PLUG			
15		20010-71631	2	SPACER COIL			
16		01020-04240	2	BOLT		M4x24	
17		01600-04101	2	SPRING WASHER		4mm	
18		20010-71650	2	WASHER			
19		13000-13406	1	SPARK PLUG BMR6A		BMR6A	

5. RECOIL STARTER



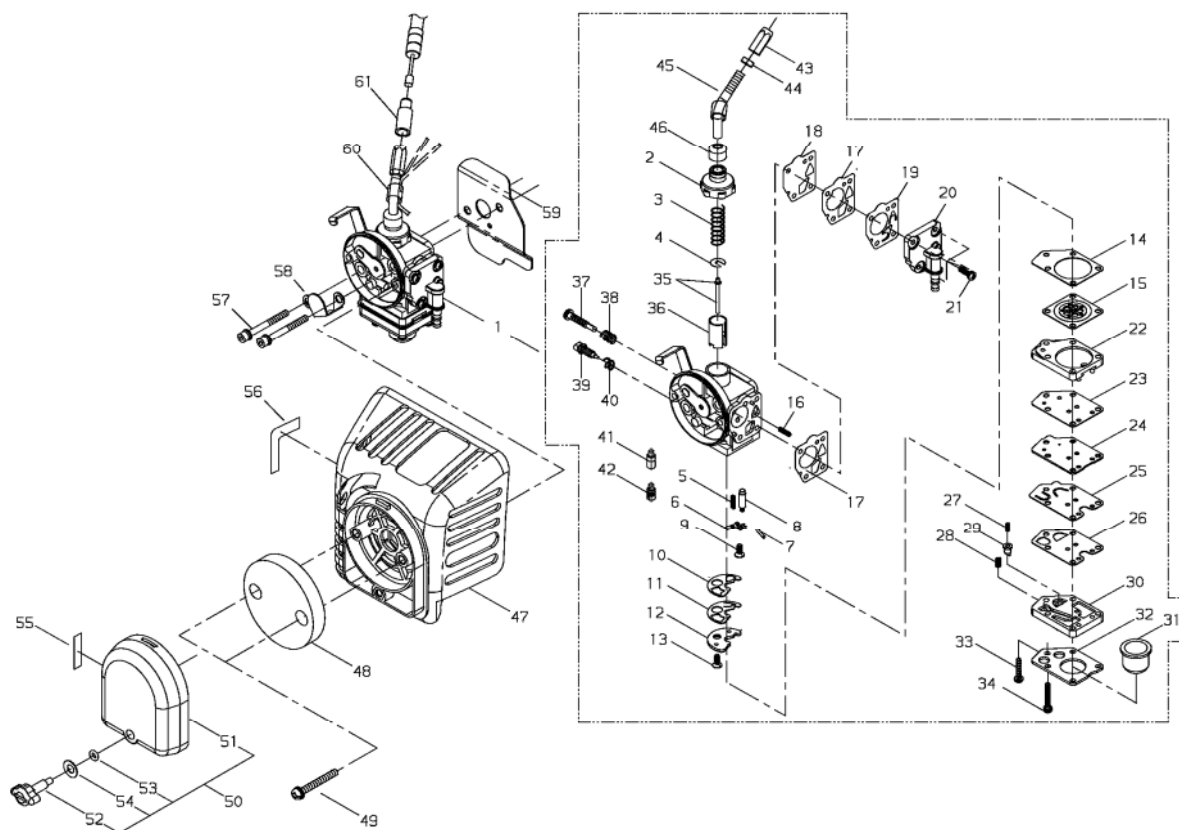
KEY	LV	PART NUMBER	Q'TY	DESCRIPTION	REMARKS	NOTE1	NOTE2
1		70131-75900	1	RECOIL STARETR			
2	•	70131-75110	1	STARTER CASE			
3	•	70131-75120	1	REEL			
4	•	20024-75130	1	RECOIL SPRING			
5	•	20035-75170	1	SCREW			
6	•	70131-75140	1	WASHER			
7	•	20020-75180	1	ROPE			
8	•	20010-75190	1	STARTER KNOB			
9	•	20010-75210	1	STOPPER			
10	•	20010-75230	1	TAPE			
11		70131-75200	1	STARTER PULLY ASSY			
12	•	70131-75211	1	STARTER PULLEY			
13	•	20024-75220	1	RATCHET			
14	•	20024-75230	1	RETURN SPRING			
15	•	20024-75240	1	E RING			
16		20000-76210	1	NUT			
17		20020-76111	1	GASKET STARTER			
18		11022-04160	3	BOLT SPW		M4x16	
19		11060-04203	1	BOLT ADHESIVE		M4x20	
20		19420-00027	1	LABEL TRADE			

6. CARBURETOR, AIR CLEANER



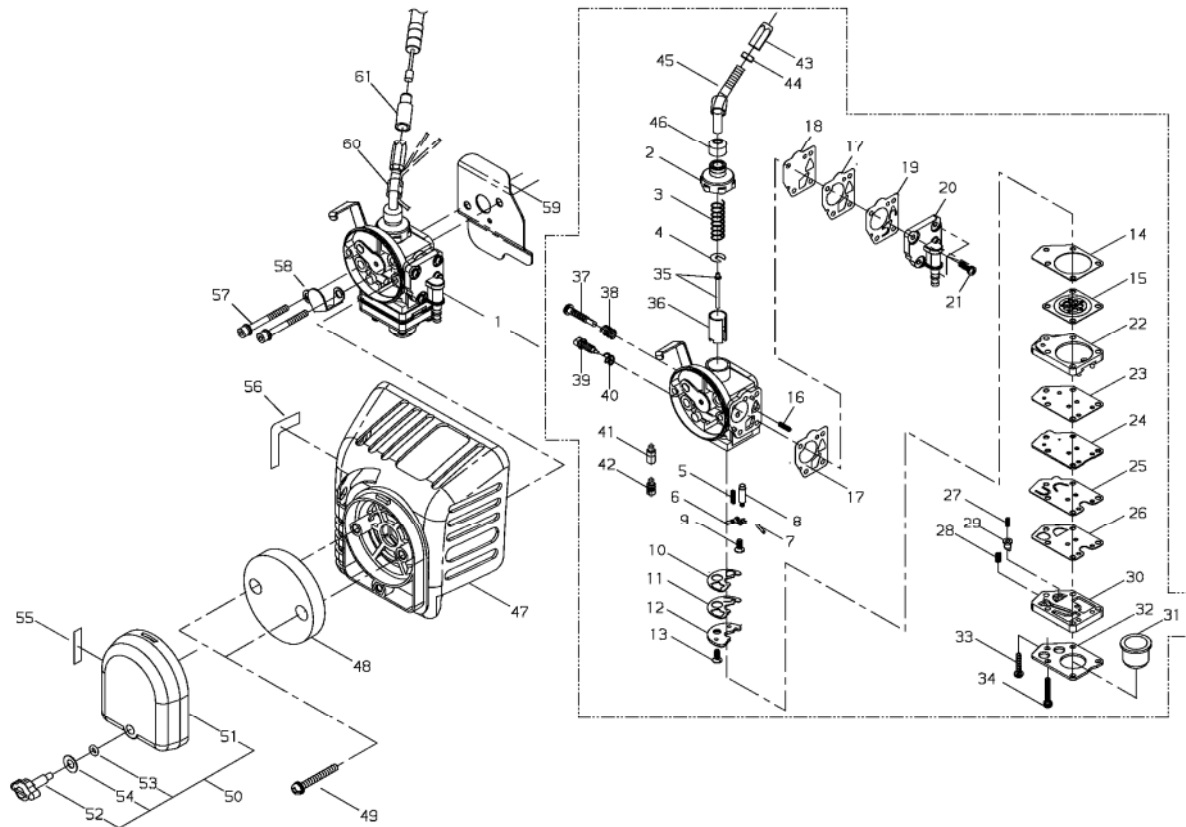
KEY	LV	PART NUMBER	Q'TY	DESCRIPTION	REMARKS	NOTE1	NOTE2
1		62104-81011	1	CABURETOR ASSY			
2	•	20055-81120	1	BODY CAP			
3	•	20003-81140	1	THROTTLE SPRING			
4	•	20000-81150	1	SPRING RECEIVE			
5	•	20040-81430	1	SPRING			
6	•	20011-81451	1	LEVER			
7	•	20011-81460	1	PIN			
8	•	20000-81441	1	NEEDLE VALVE			
9	•	20011-81470	1	SCREW			
10	•	70210-81440	1	PACKING			
11	•	70210-81430	1	CHECK VALVE			
12	•	70210-81451	1	PLATE			
13	•	20011-81470	1	SCREW			
14	•	20087-81510	1	GASKET			
15	•	20087-81520	1	DIAPHRAGM			
16	•	20040-81680	3	SPRING			
17	•	20011-81630	2	GASKET			
18	•	20011-81621	1	DIAPHRAGM			
19	•	20087-81660	1	PUMP VALVE			
20	•	20087-81640	1	PUMP BODY			
21	•	20000-81650	4	SCREW			
22	•	20087-81550	1	COVER			
23	•	20087-81890	1	PACKING			
24	•	20087-81560	1	PLATE			
25	•	20087-81571	1	CHECK VALVE			
26	•	20087-81540	1	GASKET			

6. CARBURETOR, AIR CLEANER



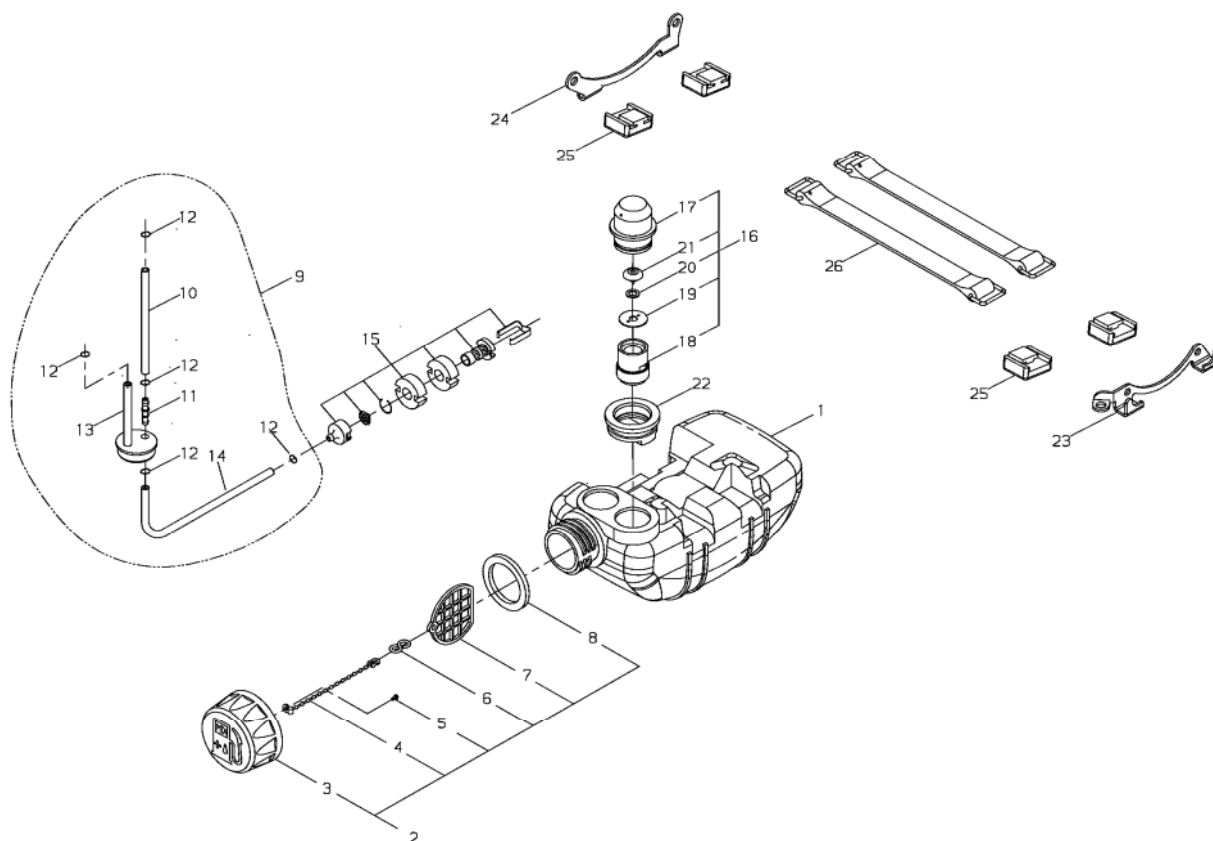
KEY	LV	PART NUMBER	Q'TY	DESCRIPTION	REMARKS	NOTE1	NOTE2
27	•	20087-81851	1	SPRING			
28	•	20087-81870	1	SPRING			
29	•	20087-81861	1	VALVE			
30	•	70210-81810	1	PUMP BASE			
31	•	20087-81820	1	PUMP			
32	•	20087-81830	1	PLATE			
33	•	20087-81840	1	SCREW			
34	•	20087-81880	4	SCREW			
35	•	62022-81310	1	JET NEEDLE			
36	•	70131-81180	1	THROTTLE VALVE			
37	•	20000-81310	1	SLOW STOP SCREW			
38	•	72920-81820	1	SPRING			
39	•	62104-81310	1	ADJUST SCREW ASSY			
40	•	20011-81360	1	SPRING			
41	•	70210-81411	1	NEEDLE JET			
42	•	70210-81420	1	HOLDER			
43	•	20055-81810	1	CABLE ADJUSTER			
44	•	20000-81260	1	LOCK NUT			
45	•	70107-81830	1	ADJUST PIPE			
46	•	20055-81130	1	CAP			
47		70102-81710	1	CLEANER BODY			
48		20056-81740	1	FILTER			
49		11260-04250	2	SCREW PM SLPW		M4x25	
50		20060-81761	1	CLEANER COVER COMP			
51	•	20060-81770	1	CLEANER COVER			
52	•	20060-81781	1	KNOB CLEANER COVER			

6. CARBURETOR, AIR CLEANER



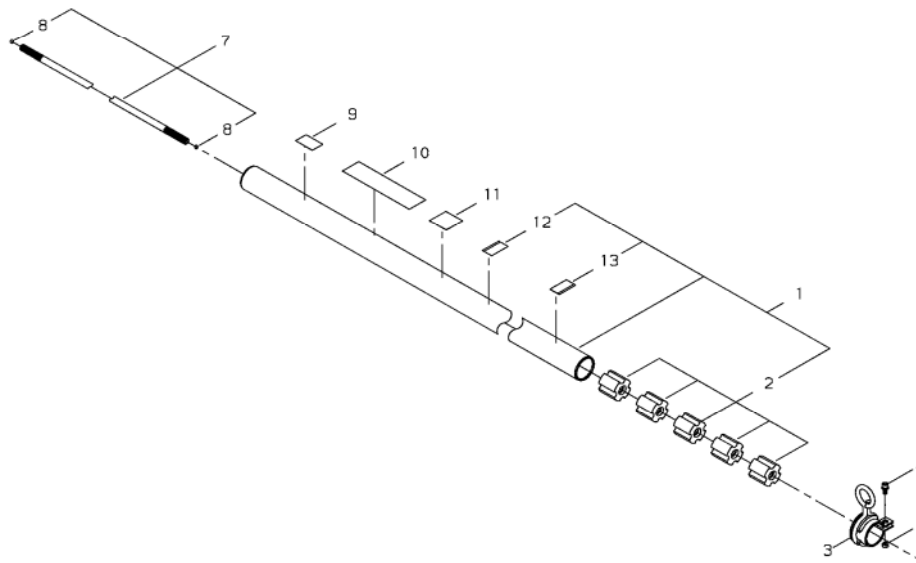
KEY	LV	PART NUMBER	Q'TY	DESCRIPTION	REMARKS	NOTE1	NOTE2
53	•	22100-82430	1	O RING			
54	•	20024-81790	1	CONE WASHER			
55		19404-00008	1	LABEL CHOKE		25M	
56		19404-00010	1	LABEL CARBURETOR		50M	
57		11022-05550	2	BOLT SW		M5x55	
58		70131-81750	1	PLATE			
59		20021-83411	1	GASKET CARBURETOR			
60		20060-83180	1	PIPE			
61		20005-83160	1	CABLE CAP			

7. FUEL TANK



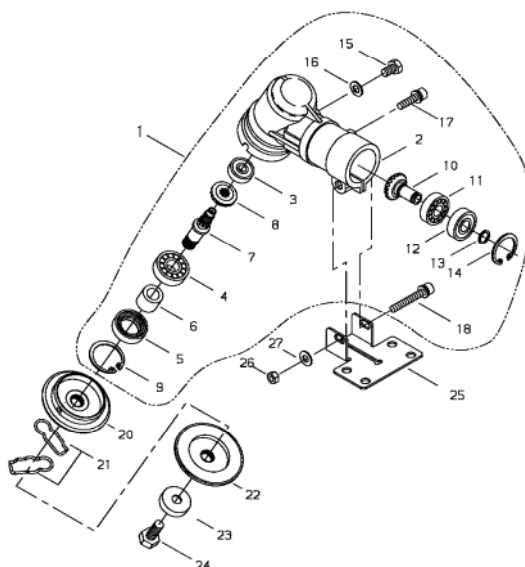
KEY	LV	PART NUMBER	Q'TY	DESCRIPTION	REMARKS	NOTE1	NOTE2
1		70200-85110	1	FUEL TANK			
2		70168-85201	1	FUEL CAP ASSY			
3	•	70168-85210	1	FUEL CAP			
4	•	22128-57250	1	CHAIN CAP			
5	•	01270-25064	1	SCREW TAPPING		2.5x6	
6	•	22150-21350	1	CLIP			
7	•	22155-21330	1	HOOK			
8	•	20000-85221	1	GASKET			
9		7020085301	1	FUEL PIPE ASSY			
10	•	70200-85310	1	FUEL PIPE			
11	•	72935-85330	1	JOINT			
12	•	20020-85540	5	CLIP			
13	•	70200-85350	1	GROMMET			
14	•	70200-85320	1	FUEL PIPE			
15		22169-35400	1	FUEL FILTER SUB ASSY			
16		20000-85500	1	BREATHER SUB ASSY			
17	•	20000-85511	1	CAP BREATHER			
18	•	20000-85521	1	HOLDER VALVE			
19	•	22100-85240	1	RETAINER FUEL			
20	•	22100-85250	1	WASHER FUEL			
21	•	22100-85260	1	VALVE FUEL			
22		20000-85572	1	GROMMET BREATHER			
23		20021-86110	1	BRACKET S			
24		20011-86120	1	BRACKET M			
25		20010-86130	4	CUSHION			
26		20010-86140	2	BAND			

8. OUTER PIPE



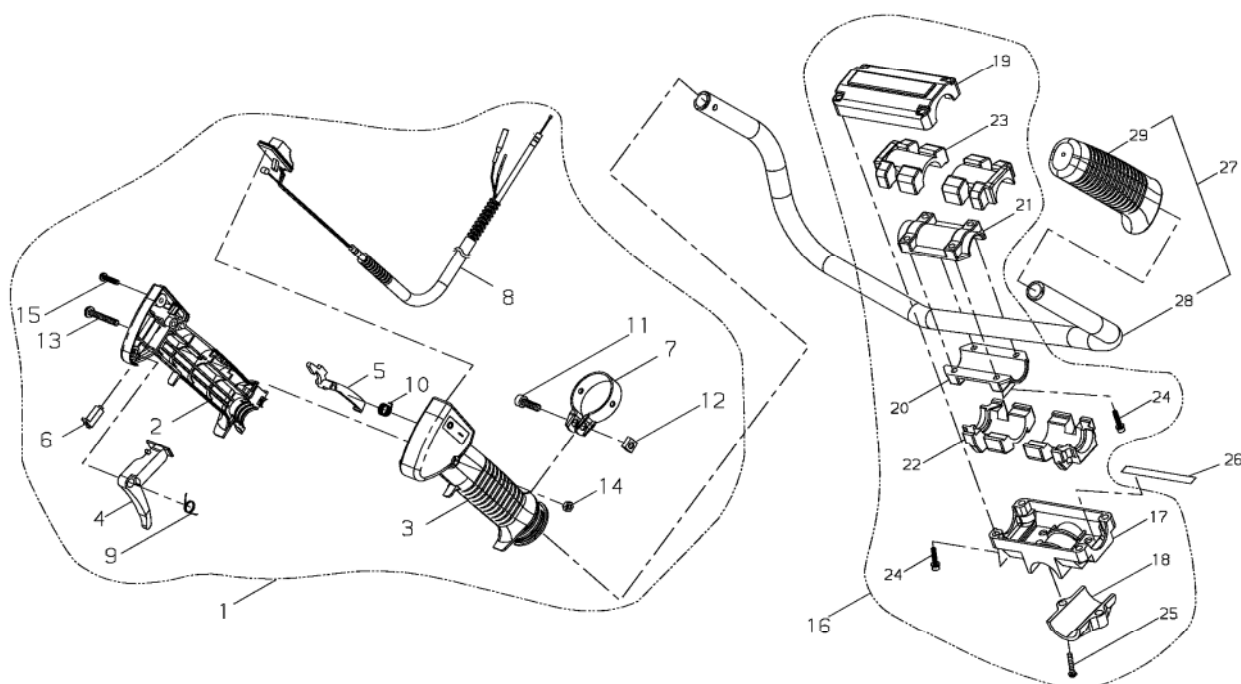
KEY	LV	PART NUMBER	Q'TY	DESCRIPTION	REMARKS	NOTE1	NOTE2
1		72551-12101	1	OUTER PIPE SUB ASSY			
2	•	22021-12120	5	BUSHING			
3		22017-12210	1	HANGER			
4		11022-05120	1	BOLT SPW		M5x12	
6		01500-05041	1	NUT	M5	M5	
7		72550-12400	1	MAIN SHAFT SUB ASSY			
8	•	22021-12420	2	STOPPER			
9		19402-00223	1	LABEL CAUTION		MAX 8500MIN-1	
10		19422-00010	1	LABEL CAUTION			
11		19404-00052	1	LABEL DECIBEL		117dB(A)	
12	•	72017-12150	1	HANDLE LABEL			
13	•	72005-12140	1	CAUTION PLATE			

9. GEAR CASE



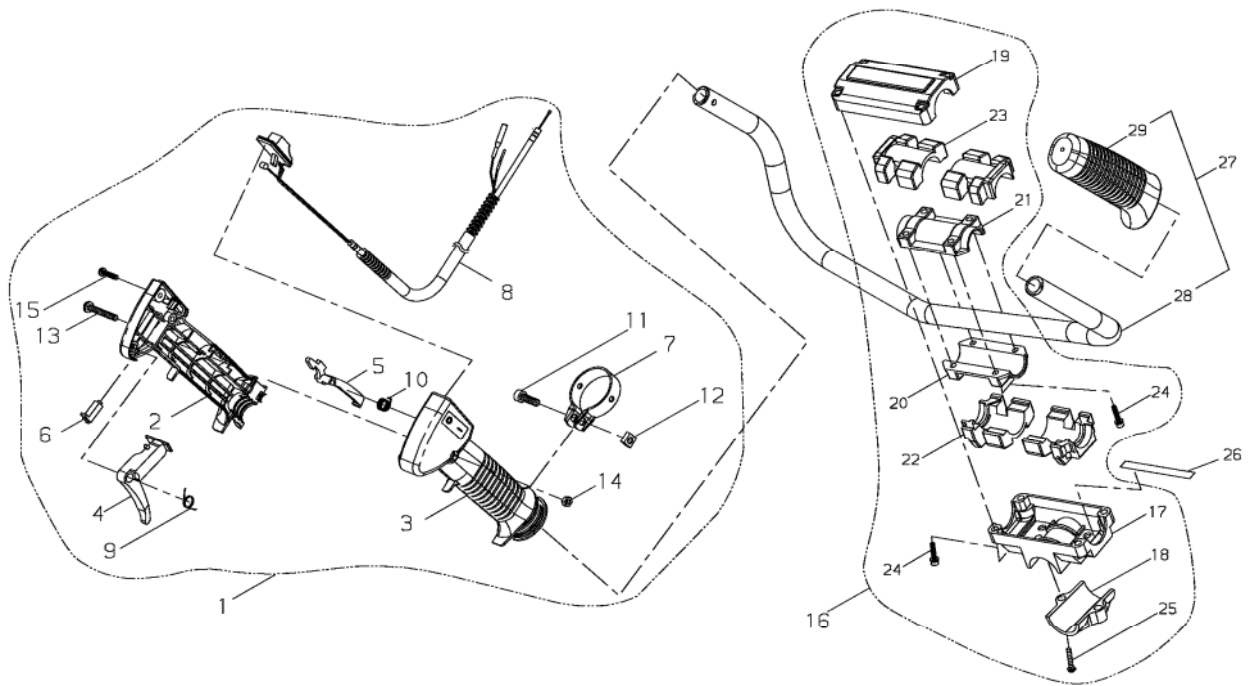
KEY	LV	PART NUMBER	Q'TY	DESCRIPTION	REMARKS	NOTE1	NOTE2
1		63020-63020	1	GEAR CASE SUB ASSY			
2	•	63020-63111	1	GEAR CASE			
3	•	02006-06000	1	BEARING		6000DDU	
4	•	02000-06202	1	BEARING		6202	
5	•	72447-13121	1	OIL SEAL			
6	•	22015-13230	1	COLLAR			
7	•	63019-63130	1	GEAR SHAFT			
8	•	22015-13220	1	BEVEL GEAR			
9	•	02432-35150	1	SNAP RING		35mm C	
10	•	22021-13390	1	PINION SET			
11	•	02000-06001	1	BEARING		6001	
12	•	02002-06001	1	BEARING		6001ZZ	
13	•	20000-31140	1	SNAP RING			
14	•	02432-28120	1	SNAP RING		28mm C	
15	•	22015-13410	1	BOLT			
16	•	22015-13420	1	GASKET			
17	•	11022-06140	1	BOLT SPW		M6x14	
18	•	11022-06400	1	BOLT SPW		M6x40	
20		72447-13240	1	HOLDER A			
21		22015-13290	2	SLIDE PIN			
22		63020-63171	1	HOLDER			
23		22015-13270	1	BOLT GUARD			
24		63019-63310	1	BOLT			
25		72017-16130	1	LOWER CLAMP			
26		01500-06051	1	NUT	M6	M6	
27		01613-06100	1	WASHER		6mm	

10. HANDLE



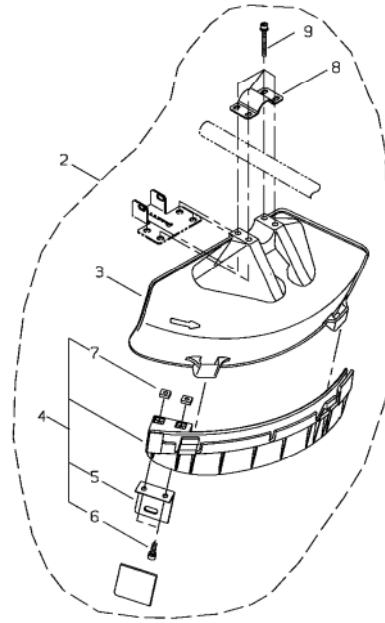
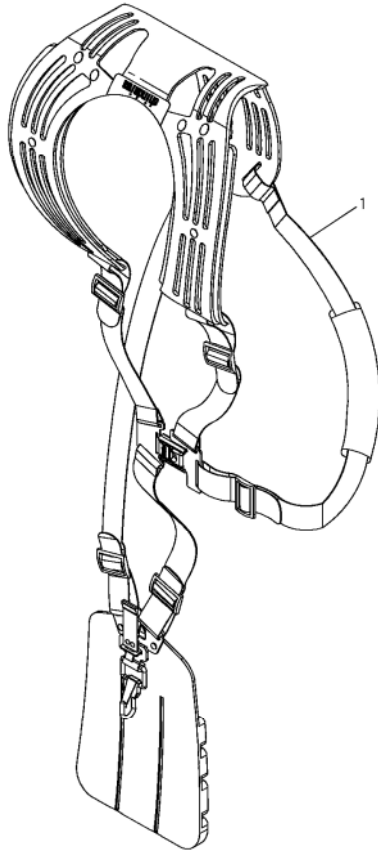
KEY	LV	PART NUMBER	Q'TY	DESCRIPTION	REMARKS	NOTE1	NOTE2
1		72451-14502	1	THROTTLE LEVER ASSY			
2	•	7245114510	1	BODY RIGHT			
3	•	7245114520	1	BODY LEFT			
4	•	72451-14530	1	LEVER			
5	•	72451-14540	1	LOCK LEVER			
6	•	72451-14550	1	BUTTON			
7	•	72451-14560	1	CLAMP			
8	•	72451-14570	1	THROTTLE CABLE COMP			
9	•	72451-14580	1	RETURN SPRING			
10	•	72451-14590	1	SPRING			
11	•	01020-06200	1	BOLT		M6x20	
12	•	72451-14610	1	NUT			
13	•	11203-05351	1	SCREW PM		M5x35	
14	•	72451-14630	1	NUT			
15	•	72451-14620	1	SCREW TAPPING			
16		72555-14100	1	BRACKET COMP			
17	•	72555-14110	1	HANDLE BRACKET			
18	•	72555-14120	1	LOWER CAP			
19	•	72555-14130	1	UPPER CAP			
20	•	22015-14140	1	LOWER CLAMP			
21	•	22015-14150	1	UPPER CLAMP			
22	•	22015-14160	2	LOWER CUSHION			
23	•	22015-14170	2	UPPER CUSHION			
24	•	11022-05250	8	BOLT SPW		M5x25	
25	•	11210-06250	2	SCREW BUTTON		M6x25	
26		72514-14190	1	EARTH CORD			

10. HANDLE



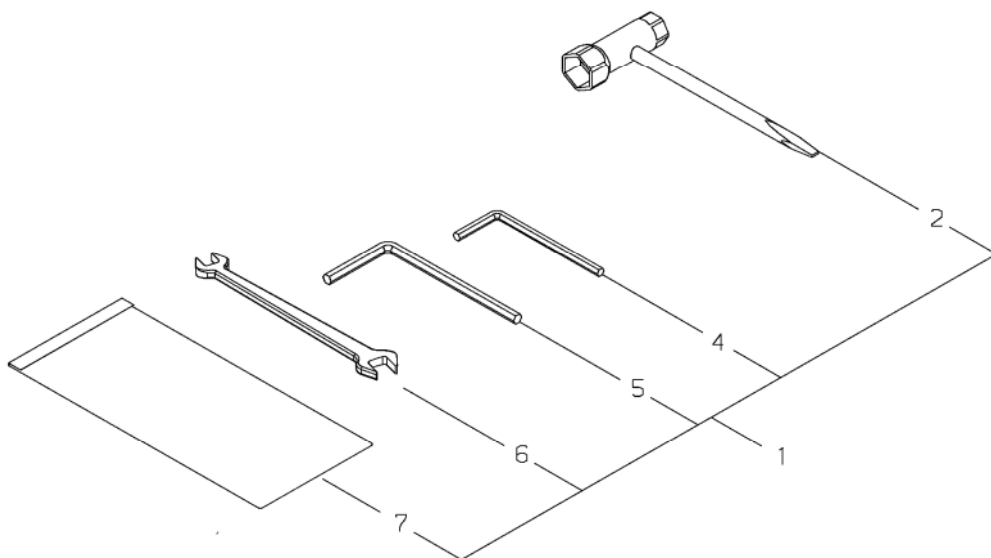
KEY	LV	PART NUMBER	Q'TY	DESCRIPTION	REMARKS	NOTE1	NOTE2
27		72540-14201	1	HANDLE SUB ASSY			
28	•	7254014212	1	HANDLE			
29	•	72451-14320	1	GRIP			

11. GUARD, STRAP



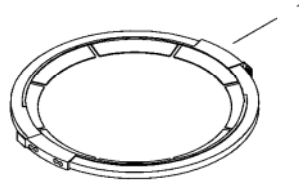
KEY	LV	PART NUMBER	Q'TY	DESCRIPTION	REMARKS	NOTE1	NOTE2
1		64007-67011	1	HARNESS ASSY			
2		64008-66311	1	GUARD SET			
3	▪	62903-66111	1	GUARD			
4	▪	62903-66332	1	SUB GUARD ASSY			
5	▪ ▪	72480-16121	1	CUTTER			
6	▪ ▪	11020-05160	2	BOLT SW		M5x16	
7	▪ ▪	22420-16120	2	NUT			
8	▪	72480-16210	1	UPPER CLAMP			
9	▪	11022-05450	4	BOLT SPW		M5x45	

12. TOOL



KEY	LV	PART NUMBER	Q'TY	DESCRIPTION	REMARKS	NOTE1	NOTE2
1		72547-91100	1	TOOL SET			
2	•	72518-91180	1	WRENCH 17X19			
4	•	09026-04001	1	HEXA WRENCH	4MM M5㉿	M5	
5	•	09026-05001	1	HEXA WRENCH 6MM		M6	
6	•	22000-91120	1	SPANNER			
7	•	19639-01700	1	TOOL BAG			

13. BLADE COVER



KEY	LV	PART NUMBER	Q'TY	DESCRIPTION	REMARKS	NOTE1	NOTE2
1		22550-92310	1	BLADE COVER			

Index

Patrs Number	Key No.	Patrs Number	Key No.	Patrs Number	Key No.
01020-04240	4 - 16	12900-62020	2 - 3	20011-81470	6 - 9
01020-05250	1 - 3	12900-62020	2 - 7	20011-81470	6 - 13
01020-05250	2 - 33	13000-13406	4 - 19	20011-81621	6 - 18
01020-05300	2 - 10	19402-00223	8 - 9	20011-81630	6 - 17
01020-06200	10 - 11	19404-00008	6 - 55	20011-86120	7 - 24
01020-06250	1 - 11	19404-00010	6 - 56	20020-51112	3 - 8
01270-25064	7 - 5	19404-00052	8 - 11	20020-51121	3 - 9
01500-05041	8 - 6	19420-00027	5 - 20	20020-51131	3 - 10
01500-06051	9 - 26	19422-00010	8 - 10	20020-51140	3 - 11
01511-10061	4 - 3	19639-01700	12 - 7	20020-51150	3 - 12
01600-04101	4 - 17	20000-31140	9 - 13	20020-75180	5 - 7
01600-05131	1 - 4	20000-72230	4 - 14	20020-76111	5 - 17
01600-05131	2 - 34	20000-72241	4 - 11	20020-85540	7 - 12
01600-05131	2 - 38	20000-72250	4 - 12	20021-31200	2 - 14
01600-10251	4 - 4	20000-76210	5 - 16	20021-31210	2 - 15
01610-05080	2 - 35	20000-81150	6 - 4	20021-31220	2 - 16
01613-05080	2 - 39	20000-81260	6 - 44	20021-83411	6 - 59
01613-06100	9 - 27	20000-81310	6 - 37	20021-86110	7 - 23
02000-06001	9 - 11	20000-81441	6 - 8	20024-12260	1 - 8
02000-06202	9 - 4	20000-81650	6 - 21	20024-75130	5 - 4
02002-06001	9 - 12	20000-85221	7 - 8	20024-75220	5 - 13
02006-06000	9 - 3	20000-85500	7 - 16	20024-75230	5 - 14
02006-06002	2 - 12	20000-85511	7 - 17	20024-75240	5 - 15
02403-03100	4 - 2	20000-85521	7 - 18	20024-81790	6 - 54
02432-28120	9 - 14	20000-85572	7 - 22	20035-75170	5 - 5
02432-32120	2 - 13	20003-81140	6 - 3	20040-81430	6 - 5
02432-35150	9 - 9	20005-83160	6 - 61	20040-81680	6 - 16
09026-04001	12 - 4	20010-12121	1 - 2	20055-81120	6 - 2
09026-05001	12 - 5	20010-21211	2 - 4	20055-81130	6 - 46
11020-05160	11 - 6	20010-21211	2 - 8	20055-81810	6 - 43
11022-04160	5 - 18	20010-71631	4 - 15	20056-81740	6 - 48
11022-05120	8 - 4	20010-71650	4 - 18	20060-12210	1 - 5
11022-05180	2 - 25	20010-72221	4 - 10	20060-81761	6 - 50
11022-05200	2 - 19	20010-75190	5 - 8	20060-81770	6 - 51
11022-05200	2 - 30	20010-75210	5 - 9	20060-81781	6 - 52
11022-05250	1 - 7	20010-75230	5 - 10	20060-83180	6 - 60
11022-05250	10 - 24	20010-86130	7 - 25	20087-81510	6 - 14
11022-05300	2 - 20	20010-86140	7 - 26	20087-81520	6 - 15
11022-05450	11 - 9	20011-12221	1 - 6	20087-81540	6 - 26
11022-05550	6 - 57	20011-31230	2 - 17	20087-81550	6 - 22
11022-06140	9 - 17	20011-35110	2 - 28	20087-81560	6 - 24
11022-06400	9 - 18	20011-35141	2 - 31	20087-81571	6 - 25
11024-04160	2 - 22	20011-35151	2 - 32	20087-81640	6 - 20
11024-05120	1 - 12	20011-71660	4 - 7	20087-81660	6 - 19
11060-04203	5 - 19	20011-72110	4 - 8	20087-81820	6 - 31
11203-05351	10 - 13	20011-72120	4 - 9	20087-81830	6 - 32
11210-06250	10 - 25	20011-81360	6 - 40	20087-81840	6 - 33
11260-04250	6 - 49	20011-81451	6 - 6	20087-81851	6 - 27
12492-50100	2 - 9	20011-81460	6 - 7	20087-81861	6 - 29

Index

Patrs Number	Key No.	Patrs Number	Key No.	Patrs Number	Key No.
20087-81870	6 - 28	70012-35130	2 - 29	7245114520	10 - 3
20087-81880	6 - 34	70062-21200	2 - 5	72451-14530	10 - 4
20087-81890	6 - 23	70102-81710	6 - 47	72451-14540	10 - 5
22000-91120	12 - 6	70107-81830	6 - 45	72451-14550	10 - 6
22015-13220	9 - 8	70131-34100	2 - 21	72451-14560	10 - 7
22015-13230	9 - 6	70131-75110	5 - 2	72451-14570	10 - 8
22015-13270	9 - 23	70131-75120	5 - 3	72451-14580	10 - 9
22015-13290	9 - 21	70131-75140	5 - 6	72451-14590	10 - 10
22015-13410	9 - 15	70131-75200	5 - 11	72451-14610	10 - 12
22015-13420	9 - 16	70131-75211	5 - 12	72451-14620	10 - 15
22015-14140	10 - 20	70131-75900	5 - 1	72451-14630	10 - 14
22015-14150	10 - 21	70131-81180	6 - 36	72480-16121	11 - 5
22015-14160	10 - 22	70131-81750	6 - 58	72480-16210	11 - 8
22015-14170	10 - 23	70168-85201	7 - 2	72514-14190	10 - 26
22017-12210	8 - 3	70168-85210	7 - 3	72518-91180	12 - 2
22021-12120	8 - 2	70180-72260	4 - 13	72540-14201	10 - 27
22021-12420	8 - 8	70192-31510	2 - 18	7254014212	10 - 28
22021-13390	9 - 10	70196-32141	2 - 24	72547-91100	12 - 1
22100-41230	3 - 4	70200-33112	2 - 36	72550-12400	8 - 7
22100-82430	6 - 53	70200-71200	4 - 1	72551-12101	8 - 1
22100-85240	7 - 19	70200-71610	4 - 5	72555-14100	10 - 16
22100-85250	7 - 20	70200-71640	4 - 6	72555-14110	10 - 17
22100-85260	7 - 21	70200-85110	7 - 1	72555-14120	10 - 18
22128-57250	7 - 4	7020085301	7 - 9	72555-14130	10 - 19
22150-21350	7 - 6	70200-85310	7 - 10	72920-81820	6 - 38
22155-21330	7 - 7	70200-85320	7 - 14	72921-21121	2 - 6
22160-41220	3 - 3	70200-85350	7 - 13	72935-21101	2 - 1
22160-41240	3 - 5	70210-12111	1 - 1	72935-21111	2 - 2
22169-35400	7 - 15	70210-31150	2 - 40	72935-85330	7 - 11
22182-41210	3 - 2	70210-32111	2 - 23		
22420-16120	11 - 7	70210-33120	2 - 37		
22550-92310	13 - 1	70210-41110	3 - 1		
62022-81310	6 - 35	70210-42001	3 - 6		
62104-15110	1 - 9	70210-51100	3 - 7		
62104-15210	1 - 10	70210-51160	3 - 13		
62104-32310	2 - 26	70210-81411	6 - 41		
62104-32321	2 - 27	70210-81420	6 - 42		
62104-81011	6 - 1	70210-81430	6 - 11		
62104-81310	6 - 39	70210-81440	6 - 10		
62903-66111	11 - 3	70210-81451	6 - 12		
62903-66332	11 - 4	70210-81810	6 - 30		
63019-63130	9 - 7	72005-12140	8 - 13		
63019-63310	9 - 24	72017-12150	8 - 12		
63020-63020	9 - 1	72017-16130	9 - 25		
63020-63111	9 - 2	72447-13121	9 - 5		
63020-63171	9 - 22	72447-13240	9 - 20		
64007-67011	11 - 1	72451-14320	10 - 29		
64008-66311	11 - 2	72451-14502	10 - 1		
70012-31111	2 - 11	7245114510	10 - 2		

YAMABIKO CORPORATION

7-2 SUEHIROCHO 1-CHOME, OHME, TOKYO 198-8760, JAPAN
PHONE: 81-428-32-6118. FAX: 81-428-32-6145.

shindaiwa[®]

EC1
No.