

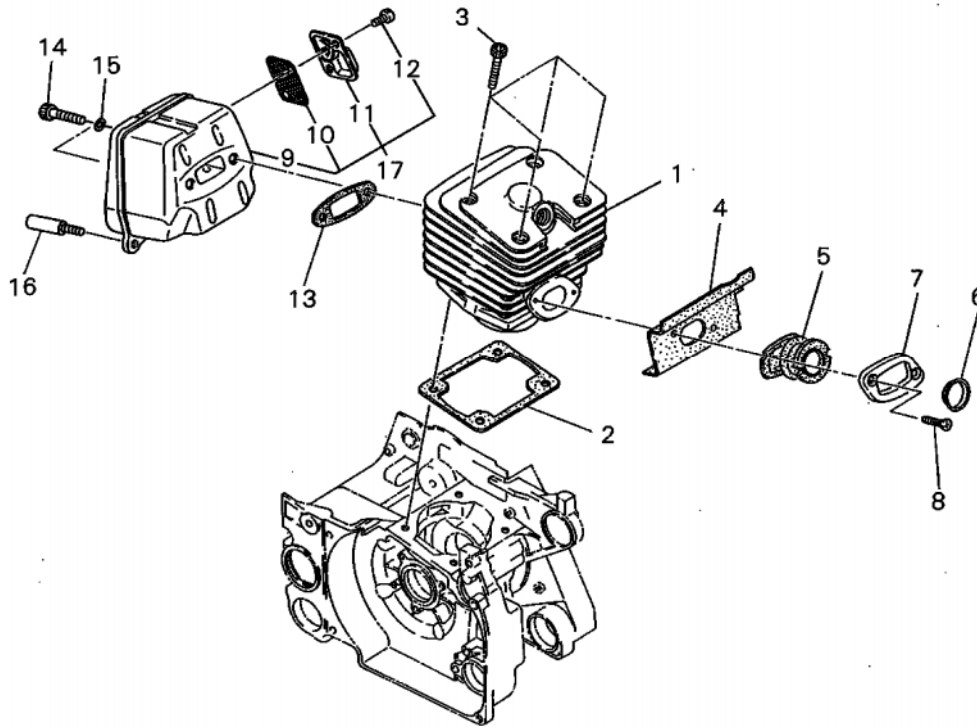
**shindaiwa<sup>®</sup>**

# **PARTS CATALOGUE**

**CHAIN SAW  
757 EMC**

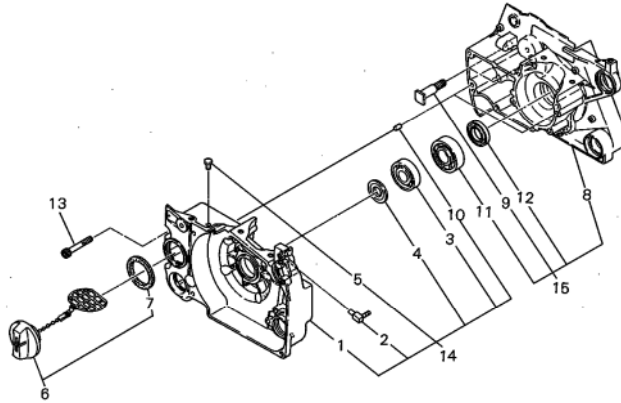
757 EMC

# 1. CYLINDER, MUFFLER



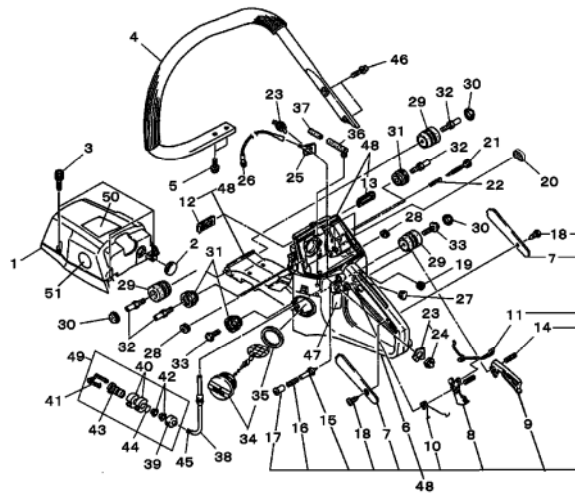
KEY	LV	PART NUMBER	Q'TY	DESCRIPTION	REMARKS	NOTE1	NOTE2
1		22169-12111	1	CYLINDER			
2		22169-12120	1	GASKET CYLINDER			
3		22169-12190	4	BOLT			
4		22169-12140	1	BAFFLE PLATE			
5		22150-12152	1	BOOT			
6		22150-12170	1	SLEEVE			
7		22150-12180	1	BRACKET			
8		01201-04160	2	SCREW		M4x16	
17		72330-15103	1	MUFFLER SUB ASSY			
9	•	22169-15113	1	MUFFLER			
10	•	72330-15160	1	SPARK ARRESTOR			
11	•	22169-15170	1	TAIL PLATE			
12	•	11203-05080	2	SCREW PM		M5x8	
13		22962-15210	1	GASKET MUFFLER			
14		22169-12130	3	BOLT		M6*20	
15		72330-15310	2	SPRING WASHER			
16		22169-15231	1	BOLT			
14		22169-21203	1	CRANK CASE M COMP			

## 2. CRANKCASE



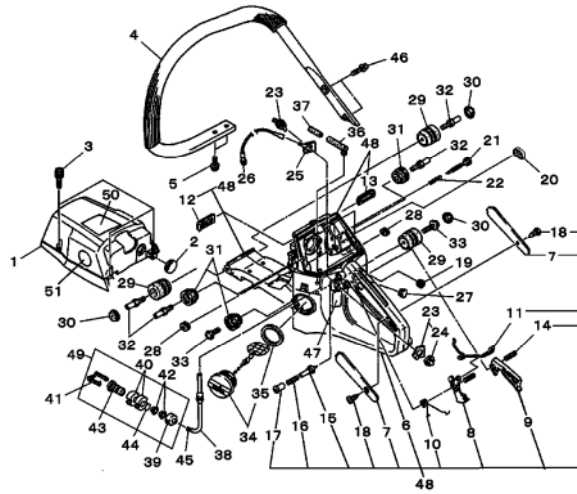
KEY	LV	PART NUMBER	Q'TY	DESCRIPTION	REMARKS	NOTE1	NOTE2
1	•	22169-21212	1	CRANK CASE M			
2	•	22150-21220	1	PULSE JOINT			
3	•	12900-62020	1	BEARING		6202,C3	
4	•	22155-21630	1	OIL SEAL			
5	•	22115-57120	1	VALVE OIL TANK			
10	•	12492-50100	2	ROLLER		φ5xL10	
6		22169-21300	1	CAP ASSY			
7	•	22160-33821	1	GASKET			
15		22169-21503	1	CRANK CASE C COMP			
8	•	22169-21512	1	CRANK CASE C			
9	•	22169-21520	2	BOLT BAR			
11	•	02030-06203	1	BEARING		6203 C3 40	
12	•	22169-21630	1	OIL SEAL			
13		22169-21910	7	BOLT		M5X35	

### 3. COVER, HANDLE



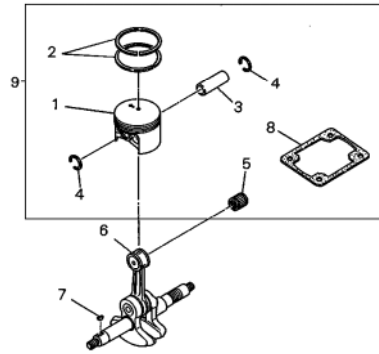
KEY	LV	PART NUMBER	Q'TY	DESCRIPTION	REMARKS	NOTE1	NOTE2
1		22169-31110	1	CYLINDER COVER			
2		22102-32140	1	PLUG BRACKET			
3		22169-31250	3	BOLT SPW			
4		22169-32113	1	FRONT HANDLE			
5		22169-32210	2	BOLT PC			
46		22169-32220	2	BOLT PC			
48		22169-33102	1	REAR HANDLE SUB ASSY			
6	▪	22169-33201	1	REAR HANDLE			
7	▪	22169-33310	2	PLATE GRIP			
8	▪	22169-33321	1	THROTTLE LEVER			
9	▪	22169-33330	1	LOCK LEVER			
10	▪	22150-33340	1	SPRING LEVER			
11	▪	22169-33360	1	THROTTLE ROD			
12	▪	22169-33380	1	SUB CLEANER			
13	▪	22169-33390	1	PLUG			
14	▪	12420-50284	2	SPRING PIN		5x28	
15	▪	72171-33170	1	STOPPER			
16	▪	22100-33180	1	SPRING			
17	▪	22100-33190	1	KNOB STOPPER			
18	▪	01280-04102	2	SCREW TAPPING		4x10	
19		22150-33410	1	GROMMET CHOKE			
20		22150-33420	1	GROMMET CARBURETOR			
21		22155-33450	1	ADJUST SCREW			
22		22155-33460	1	SPRING ADJUST			
23		22155-33501	1	SWITCH ASSY			
24	▪	22155-33530	1	NUT			

### 3. COVER, HANDLE



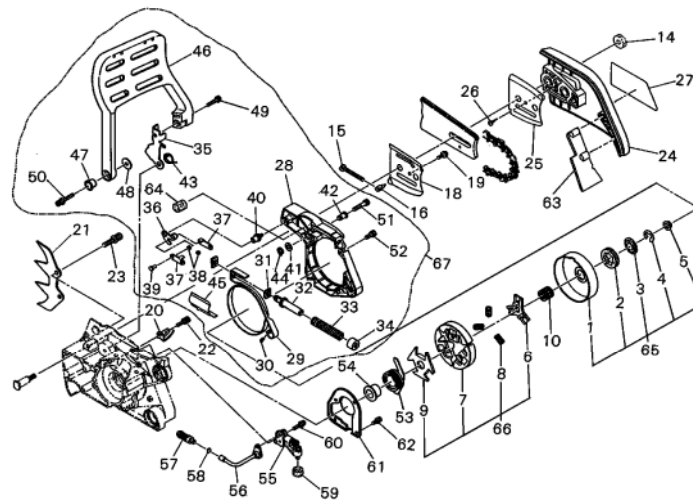
KEY	LV	PART NUMBER	Q'TY	DESCRIPTION	REMARKS	NOTE1	NOTE2
25		22169-33540	1	EARTH PLATE			
26		22169-33550	1	EARTH CORD			
27		22150-33630	1	PLUG			
28		22150-33640	2	GROMMET			
29		72330-33710	3	CUSHION 26			
30		22150-33720	3	PLUG 26			
31		22169-33740	3	CUSHION			
32		22169-33770	2	STOPPER BOLT			
33		22160-32210	4	SCREW PC			
34		22160-33801	1	CAP ASSY			
35	•	22160-33821	1	GASKET			
36		22169-33940	1	PIPE			
37		22157-33950	1	ELEMENT			
38		22169-34110	1	FUEL PIPE			
49		22169-35400	1	FUEL FILTER SUB ASSY			
39	•	22128-85410	1	FUEL LINE WEIGHT			
40	•	22169-35420	2	FILTER			
41	•	22128-85440	1	CLIP FILTER			
42	•	22118-85460	2	ELEMENT			
43	•	22128-85470	1	SLEEVE			
44	•	22128-85480	1	RING			
45		20020-85540	1	CLIP			
47		72330-92150	1	CAUTION PLATE			
50		19412-00006	1	LABEL CAUTION			
51		19402-00257	1	LABEL CAUTION			
52	•	22150-33520	1	PLATE			

## 4. PISTON, CRANKSHAFT



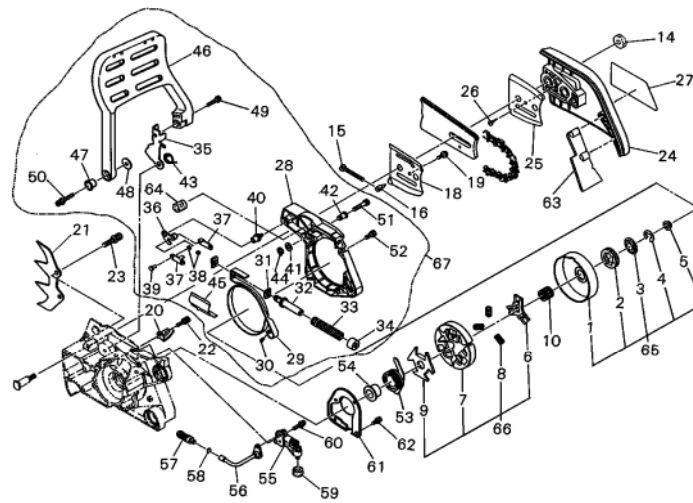
KEY	LV	PART NUMBER	Q'TY	DESCRIPTION	REMARKS	NOTE1	NOTE2
9		72330-98010	1	PISTON SET			
1	▪	38010-41110	1	PISTON			
2	▪	22169-41210	2	PISTON RING			
3	▪	22169-41220	1	PISTON PIN			
4	▪	22155-41230	2	SNAP RING			
5	▪	22155-41281	1	BEARING SE			
8	▪	22169-12120	1	GASKET CYLINDER			
6		22169-42000	1	CRANK SHAFT ASSY			
7		02403-03100	1	KEY	3*10	3x10	

## 5. CLUTCH, CLUTCH COVER



KEY	LV	PART NUMBER	Q'TY	DESCRIPTION	REMARKS	NOTE1	NOTE2
65		22169-51100	1	CLUTCH DRUM ASSY			
1	▪	22169-51110	1	CLUTCH DRUM			
2	▪	22150-51520	1	RIM			
3	▪	22169-51130	1	WASHER			
4	▪	22169-51140	1	SNAP RING			
5	▪	22169-51170	1	NUT			
66		22169-51200	1	CLUTCH ASSY			
6	▪	22169-51210	1	CLUTCH BOSS A			
7	▪	22169-51220	3	CLUTCH SHOE			
8	▪	22150-51230	3	CLUTCH SPRING			
9	▪	22169-51240	1	CLUTCH BOSS B			
10		22150-51310	1	BEARING			
14		22154-52410	2	NUT			
15		22169-53310	1	SLIDE SCREW			
16		22150-52440	1	TENSIONER,CHAIN			
18		22169-52460	1	GUIDE PLATE A			
19		11205-04100	1	SCREW PM PW		M4x10	
20		22169-52510	1	CHAIN CATCHER			
21		22150-97320	1	LONG SPIKE			
22		11022-05200	1	BOLT SPW		M5x20	
23		22157-12130	2	BOLT			
24		22169-53111	1	CLUTCH COVER			
25		22169-53120	1	GUIDE PLATE B			
26		01280-04102	1	SCREW TAPPING		4x10	
63	▪	22169-53140	1	PROTECTOR			
27		72330-92171	1	LABEL TRADE			

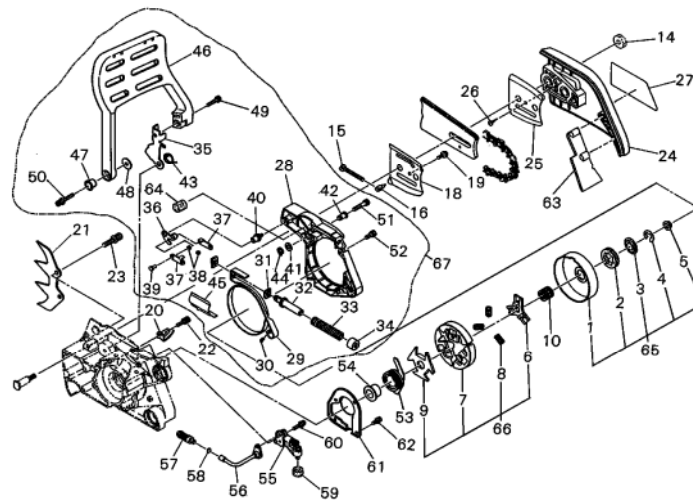
## 5. CLUTCH, CLUTCH COVER



KEY	LV	PART NUMBER	Q'TY	DESCRIPTION	REMARKS	NOTE1	NOTE2
67		22169-54103	1	BRAKE ASSY			
28	•	22169-54112	1	BRAKE HOLDER			
29	•	22169-54211	1	BRAKE BAND			
30	•	02427-40105	1	PIN		4x10	
31	•	72316-54310	2	ADJUST PLATE			
32	•	22169-54320	1	SPRING HOLDER			
33	•	22169-54330	1	BRAKE SPRING			
34	•	22169-54340	1	STOPPER			
35	•	22169-54510	1	LEVER			
36	•	22169-54520	1	INNER LEVER			
37	•	22169-54540	2	TIE STRAP			
38	•	22169-54550	2	COLLER			
39	•	22169-54570	2	RIBET			
40	•	22169-54580	1	BOLT LEVER			
41	•	01613-08160	1	WASHER		8mm	
42	•	22169-54620	1	SPACER			
43	•	22169-54630	1	SPRING LEVER			
44	•	02430-08080	1	SNAP RING		8mm C	
45	•	22169-54640	1	SPRING COVER			
46	•	72330-54651	1	GUARD			
47	•	22169-54660	1	SPACER			
48	•	22169-54670	1	WASHER			
64		22169-54690	1	STOPPER			
49	•	11022-05200	1	BOLT SPW		M5x20	
50	•	11022-05200	1	BOLT SPW		M5x20	
51	•	01020-05250	1	BOLT		M5x25	

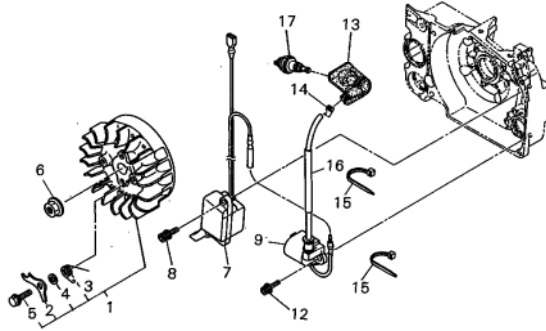


## 5. CLUTCH, CLUTCH COVER



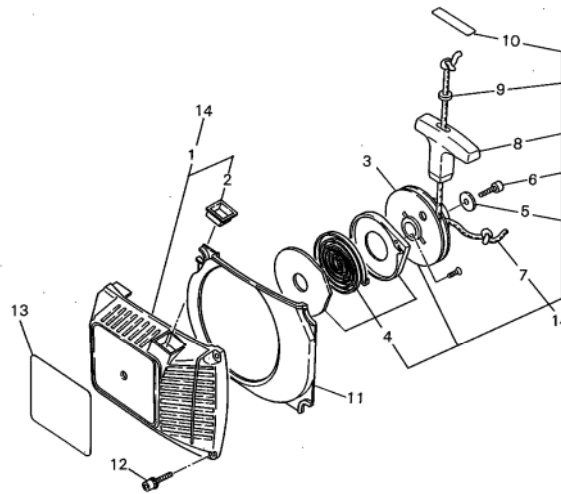
KEY	LV	PART NUMBER	Q'TY	DESCRIPTION	REMARKS	NOTE1	NOTE2
52	•	01020-04120	4	BOLT		M4x12	
53		22169-55110	1	GEAR			
54		22169-55130	1	COLLER			
55		22197-55201	1	OIL PUMP ASSY			
56		22169-55310	1	OIL PIPE			
57		22169-57360	1	OIL FILTER			
58		22100-57370	1	CRIP OIL FILTER			
59		22169-55430	1	ELEMENT			
60		11205-04160	2	SCREW PM		M4x16	
61		22169-56110	1	PUMP COVER			
62		11205-04100	4	SCREW PM PW		M4x10	

## 6. MAGNETO



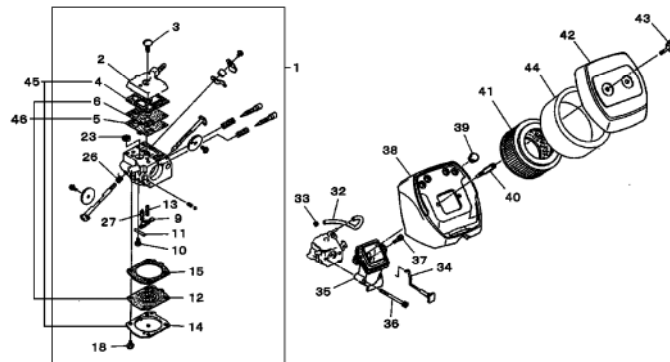
KEY	LV	PART NUMBER	Q'TY	DESCRIPTION	REMARKS	NOTE1	NOTE2
1		22169-71100	1	ROTOR ASSY			
2	•	22150-71120	2	RATCHET			
3	•	22155-71130	2	SPRING RACHET			
4	•	22100-71430	2	WASHER			
5	•	22100-71441	2	BOLT			
6		22169-71460	1	NUT			
7		22169-71510	1	EXCITE COIL			
8		11022-05200	2	BOLT SPW		M5x20	
9		22169-71700	1	IGNITION COIL			
12		11022-04160	2	BOLT SPW		M4x16	
13		22169-72220	1	PLUG CAP			
14		20000-72230	1	SPRING SPARK PLUG			
15		15210-12305	2	BAND			
16		22155-72280	1	PIPE CORD B			
17		13000-13507	1	SPARK PLUG BPMR7A		BPMR7A	

## 7. RECOIL STARTER



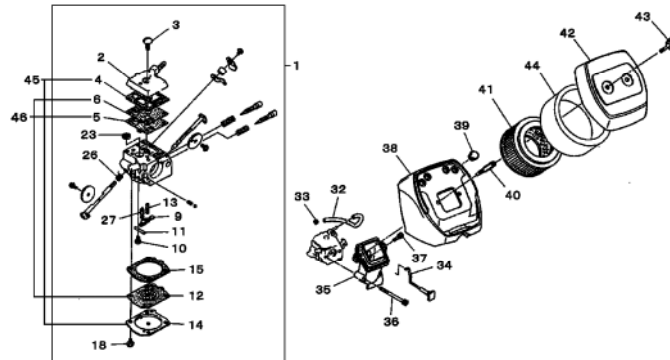
KEY	LV	PART NUMBER	Q'TY	DESCRIPTION	REMARKS	NOTE1	NOTE2
14		22169-75101	1	RECOIL STARETR			
1	•	22169-75211	1	RECOIL CASE			
2	• •	22160-75220	1	ROPE GUIDE			
3	•	22150-75310	1	REEL			
4	•	22155-75410	1	RECOIL SPRING ASSY			
5	•	22150-75450	1	WASHER			
6	•	01020-05120	1	BOLT	M5*12	M5x12	
7	•	22150-75510	1	ROPE			
8	•	22150-75520	1	KNOB RECOIL			
9	•	22150-75530	1	STOPPER KNOB			
10	•	20010-75230	1	TAPE			
11		22169-75610	1	AIR PLATE			
12		22169-31250	4	BOLT SPW		M5X25	
13		72330-92181	1	LABEL TRADE			

## 8. CARBURETOR



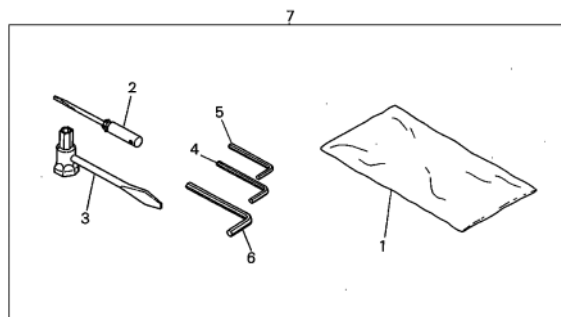
KEY	LV	PART NUMBER	Q'TY	DESCRIPTION	REMARKS	NOTE1	NOTE2
1		22169-81000	1	CARBURETOR ASSY			
2	•	22150-81120	1	PUMP COVER ASSY			
3	•	22150-81130	1	SCREW			
4	•	22150-81140	1	GASKET PUMP			
5	•	22169-81150	1	DIAPHRAGM PUMP			
6	•	22169-81180	1	DIAPHRAGM PUMP			
9	•	22150-81230	1	LEVER			
10	•	22100-81240	1	SCREW			
11	•	22100-81250	1	PIN			
12	•	22150-81260	1	DIAPHRAGM ASSY			
13	•	22150-81270	1	SPRING LEVER			
14	•	22150-81280	1	COVER DAIPHRAGM			
15	•	22150-81290	1	GASKET DIAPHRAGM			
18	•	22100-81351	4	SCREW			
23	•	70030-81380	1	SCREEN			
26	•	22150-81430	1	RETURN SPRING			
27	•	20036-81440	1	VALVE			
45		22150-81930	1	GASKET KIT			
46		22169-81940	1	DIAPHRAGM KIT			
32		22155-82111	1	PULSE PIPE			
33		22150-82140	1	CLIP,PULSE			
34		22150-82120	1	CHOKE ROD			
35		22169-82211	1	ELBOW			
36		11021-05650	2	BOLT		M5x65	
37		11022-05200	1	BOLT SPW		M5x20	
38		22169-82251	1	CLEANER BASE			

## 8. CARBURETOR



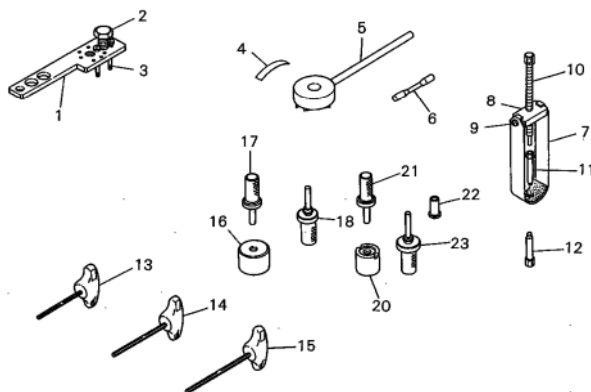
KEY	LV	PART NUMBER	Q'TY	DESCRIPTION	REMARKS	NOTE1	NOTE2
39		22150-33630	4	PLUG			
40		22169-82271	2	BOLT			
41		22169-82310	1	FILTER			
42		22169-82410	1	CLEANER COVER			
43		22169-82420	2	KNOB CLEANER COVER			
44		72330-82320	1	PRE FILTER			

## 9. TOOL



KEY	LV	PART NUMBER	Q'TY	DESCRIPTION	REMARKS	NOTE1	NOTE2
7		72330-91000	1	TOOL SET			
1	▪	19639-01100	1	POLY BAG			
2	▪	22150-91160	1	DRIVER			
3	▪	22961-92310	1	PLUG WRENCH			
4	▪	09026-04001	1	HEXA WRENCH	4MM M5ㇿ	4mm M5	
5	▪	09026-03001	1	HEXA WRENCH 4MM		3mm M4	
6	▪	09026-05001	1	HEXA WRENCH 6MM		5mm M6	

10. OPTION PARTS



KEY	LV	PART NUMBER	Q'TY	DESCRIPTION	REMARKS	NOTE1	NOTE2
1		69012-98310	1	ENGINE REBUILD KIT			

**Index**

<b>Patrs Number</b>	<b>Key No.</b>	<b>Patrs Number</b>	<b>Key No.</b>	<b>Patrs Number</b>	<b>Key No.</b>
01020-04120	5 - 52	22128-85440	3 - 41	22155-75410	7 - 4
01020-05120	7 - 6	22128-85470	3 - 43	22155-82111	8 - 32
01020-05250	5 - 51	22128-85480	3 - 44	22157-12130	5 - 23
01201-04160	1 - 8	22150-12152	1 - 5	22157-33950	3 - 37
01280-04102	3 - 18	22150-12170	1 - 6	22160-32210	3 - 33
01280-04102	5 - 26	22150-12180	1 - 7	22160-33801	3 - 34
01613-08160	5 - 41	22150-21220	2 - 2	22160-33821	2 - 7
02030-06203	2 - 11	22150-33340	3 - 10	22160-33821	3 - 35
02403-03100	4 - 7	22150-33410	3 - 19	22160-75220	7 - 2
02427-40105	5 - 30	22150-33420	3 - 20	22169-12111	1 - 1
02430-08080	5 - 44	22150-33520	3 - 52	22169-12120	1 - 2
09026-03001	9 - 5	22150-33630	3 - 27	22169-12120	4 - 8
09026-04001	9 - 4	22150-33630	8 - 39	22169-12130	1 - 14
09026-05001	9 - 6	22150-33640	3 - 28	22169-12140	1 - 4
11021-05650	8 - 36	22150-33720	3 - 30	22169-12190	1 - 3
11022-04160	6 - 12	22150-51230	5 - 8	22169-15113	1 - 9
11022-05200	5 - 22	22150-51310	5 - 10	22169-15170	1 - 11
11022-05200	5 - 49	22150-51520	5 - 2	22169-15231	1 - 16
11022-05200	5 - 50	22150-52440	5 - 16	22169-21203	1 - 14
11022-05200	6 - 8	22150-71120	6 - 2	22169-21212	2 - 1
11022-05200	8 - 37	22150-75310	7 - 3	22169-21300	2 - 6
11203-05080	1 - 12	22150-75450	7 - 5	22169-21503	2 - 15
11205-04100	5 - 19	22150-75510	7 - 7	22169-21512	2 - 8
11205-04100	5 - 62	22150-75520	7 - 8	22169-21520	2 - 9
11205-04160	5 - 60	22150-75530	7 - 9	22169-21630	2 - 12
12420-50284	3 - 14	22150-81120	8 - 2	22169-21910	2 - 13
12492-50100	2 - 10	22150-81130	8 - 3	22169-31110	3 - 1
12900-62020	2 - 3	22150-81140	8 - 4	22169-31250	3 - 3
13000-13507	6 - 17	22150-81230	8 - 9	22169-31250	7 - 12
15210-12305	6 - 15	22150-81260	8 - 12	22169-32113	3 - 4
19402-00257	3 - 51	22150-81270	8 - 13	22169-32210	3 - 5
19412-00006	3 - 50	22150-81280	8 - 14	22169-32220	3 - 46
19639-01100	9 - 1	22150-81290	8 - 15	22169-33102	3 - 48
20000-72230	6 - 14	22150-81430	8 - 26	22169-33201	3 - 6
20010-75230	7 - 10	22150-81930	8 - 45	22169-33310	3 - 7
20020-85540	3 - 45	22150-82120	8 - 34	22169-33321	3 - 8
20036-81440	8 - 27	22150-82140	8 - 33	22169-33330	3 - 9
22100-33180	3 - 16	22150-91160	9 - 2	22169-33360	3 - 11
22100-33190	3 - 17	22150-97320	5 - 21	22169-33380	3 - 12
22100-57370	5 - 58	22154-52410	5 - 14	22169-33390	3 - 13
22100-71430	6 - 4	22155-21630	2 - 4	22169-33540	3 - 25
22100-71441	6 - 5	22155-33450	3 - 21	22169-33550	3 - 26
22100-81240	8 - 10	22155-33460	3 - 22	22169-33740	3 - 31
22100-81250	8 - 11	22155-33501	3 - 23	22169-33770	3 - 32
22100-81351	8 - 18	22155-33530	3 - 24	22169-33940	3 - 36
22102-32140	3 - 2	22155-41230	4 - 4	22169-34110	3 - 38
22115-57120	2 - 5	22155-41281	4 - 5	22169-35400	3 - 49
22118-85460	3 - 42	22155-71130	6 - 3	22169-35420	3 - 40
22128-85410	3 - 39	22155-72280	6 - 16	22169-41210	4 - 2



**Index**

<b>Patrs Number</b>	<b>Key No.</b>	<b>Patrs Number</b>	<b>Key No.</b>	<b>Patrs Number</b>	<b>Key No.</b>
22169-41220	4 - 3	22169-81000	8 - 1		
22169-42000	4 - 6	22169-81150	8 - 5		
22169-51100	5 - 65	22169-81180	8 - 6		
22169-51110	5 - 1	22169-81940	8 - 46		
22169-51130	5 - 3	22169-82211	8 - 35		
22169-51140	5 - 4	22169-82251	8 - 38		
22169-51170	5 - 5	22169-82271	8 - 40		
22169-51200	5 - 66	22169-82310	8 - 41		
22169-51210	5 - 6	22169-82410	8 - 42		
22169-51220	5 - 7	22169-82420	8 - 43		
22169-51240	5 - 9	22197-55201	5 - 55		
22169-52460	5 - 18	22961-92310	9 - 3		
22169-52510	5 - 20	22962-15210	1 - 13		
22169-53111	5 - 24	38010-41110	4 - 1		
22169-53120	5 - 25	69012-98310	10 - 1		
22169-53140	5 - 63	70030-81380	8 - 23		
22169-53310	5 - 15	72171-33170	3 - 15		
22169-54103	5 - 67	72316-54310	5 - 31		
22169-54112	5 - 28	72330-15103	1 - 17		
22169-54211	5 - 29	72330-15160	1 - 10		
22169-54320	5 - 32	72330-15310	1 - 15		
22169-54330	5 - 33	72330-33710	3 - 29		
22169-54340	5 - 34	72330-54651	5 - 46		
22169-54510	5 - 35	72330-82320	8 - 44		
22169-54520	5 - 36	72330-91000	9 - 7		
22169-54540	5 - 37	72330-92150	3 - 47		
22169-54550	5 - 38	72330-92171	5 - 27		
22169-54570	5 - 39	72330-92181	7 - 13		
22169-54580	5 - 40	72330-98010	4 - 9		
22169-54620	5 - 42				
22169-54630	5 - 43				
22169-54640	5 - 45				
22169-54660	5 - 47				
22169-54670	5 - 48				
22169-54690	5 - 64				
22169-55110	5 - 53				
22169-55130	5 - 54				
22169-55310	5 - 56				
22169-55430	5 - 59				
22169-56110	5 - 61				
22169-57360	5 - 57				
22169-71100	6 - 1				
22169-71460	6 - 6				
22169-71510	6 - 7				
22169-71700	6 - 9				
22169-72220	6 - 13				
22169-75101	7 - 14				
22169-75211	7 - 1				
22169-75610	7 - 11				

# YAMABIKO CORPORATION

7-2 SUEHIROCHO 1-CHOME, OHME, TOKYO 198-8760, JAPAN  
PHONE: 81-428-32-6118. FAX: 81-428-32-6145.

**shindaiwa<sup>®</sup>**

EMC  
No.