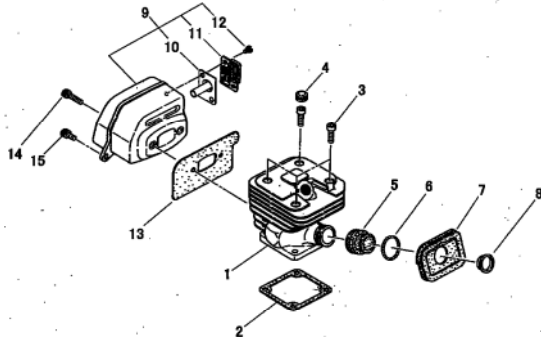


shindaiwa[®]

PARTS CATALOGUE

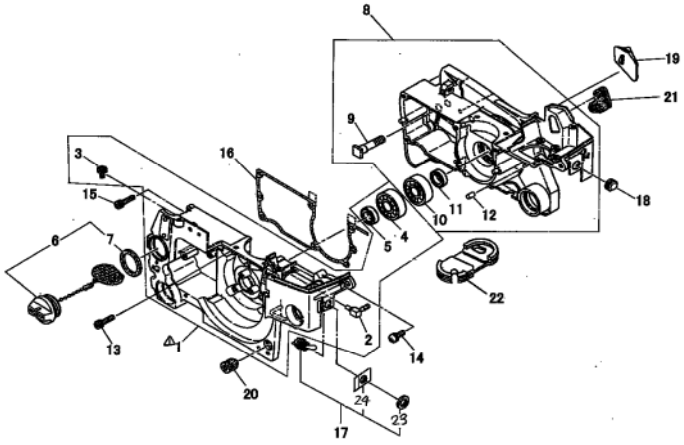
**CHAIN SAW
488 EC1**

1. CYLINDER, MUFFLER



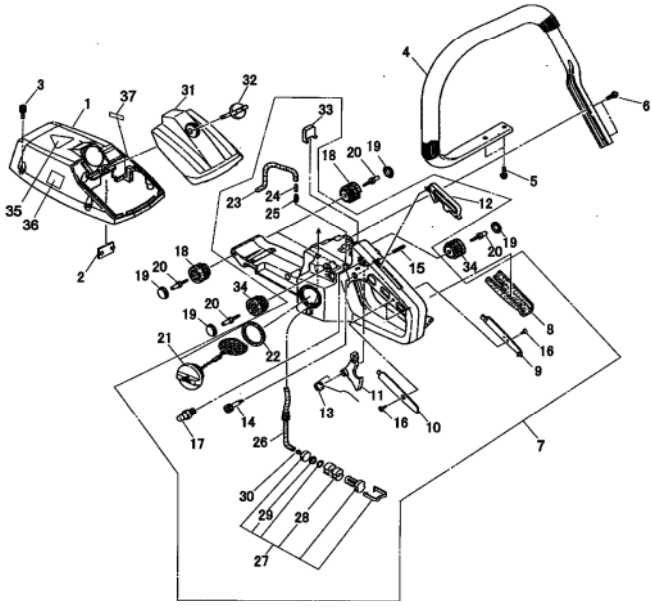
KEY	LV	PART NUMBER	Q'TY	DESCRIPTION	REMARKS	NOTE1	NOTE2
1		22157-12110	1	CYLINDER			
2		22160-12121	1	GASKET CYLINDER			
3		22157-12130	4	BOLT			
4		22160-22220	1	PLUG SWITCH			
5		22160-12150	1	BOOT			
6		22160-12160	1	SPRING			
7		22160-12170	1	SEAL			
8		22115-14140	1	SLEEVE			
9		72312-15100	1	MUFFLER SUB ASSY			
10	•	72312-15220	1	SILENCER			
11	•	22160-15210	1	TAIL PLATE			
12	•	11203-04060	2	SCREW PM		M4x6	
13		22160-15311	1	GASKET MUFFLER			
14		22157-12130	2	BOLT		M5x18	
15		22157-15330	2	BOLT		M5x12	

2. CRANKCASE



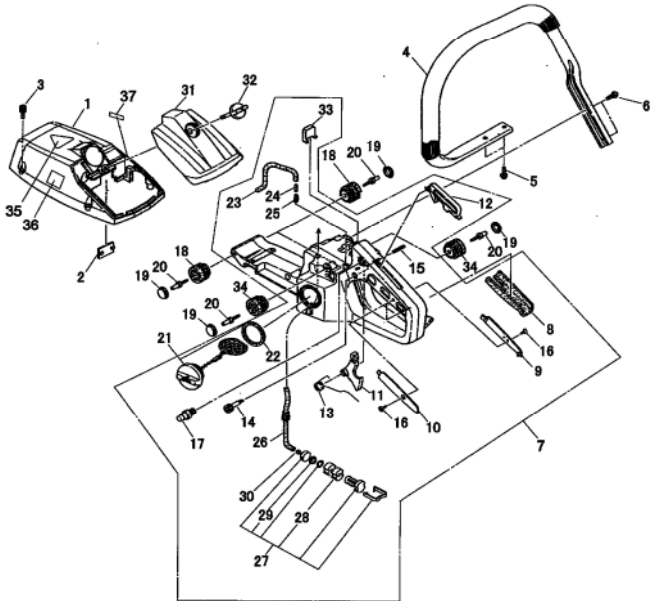
KEY	LV	PART NUMBER	Q'TY	DESCRIPTION	REMARKS	NOTE1	NOTE2
1		22160-21202	1	CRANK CASE M COMP			
2	•	22150-21220	1	PULSE JOINT			
3	•	22115-57120	1	VALVE OIL TANK			
4	•	12900-62010	1	BEARING		6201,C3	
5	•	22150-21250	1	SEAL,OIL			
6		22160-21302	1	OIL CAP ASSY			
7	•	22160-21351	1	GASKET CAP			
8		22160-21502	1	CRANK CASE C COMP			
9	•	72312-21520	2	BOLT BAR			
10	•	12900-62010	1	BEARING		6201,C3	
11	•	22150-21250	1	SEAL,OIL			
12	•	12492-50100	3	ROLLER		φ5xL10	
13		22157-21750	4	BOLT		M5x30	
14		22157-21760	1	SCREW PM			
15		22157-12130	2	BOLT		M5x18	
16		22160-21720	1	GASKET CASE			
17		72365-21310	1	SWITCH ASSY			
18		22160-22220	1	PLUG SWITCH			
19		22160-22250	1	STOPPER H			
20		22160-33730	1	SUPPORTER			
21		69026-21310	1	GROMMET			
22		72312-22260	1	GROMMET A			
23	•	22154-22130	1	NUT			
24	•	7236521320	1	PLATE			

3. COVER, HANDLE



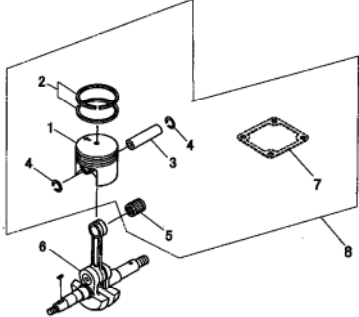
KEY	LV	PART NUMBER	Q'TY	DESCRIPTION	REMARKS	NOTE1	NOTE2
1		22160-31110	1	CYLINDER COVER			
2		22160-31120	1	PLUG			
3		22160-31150	3	BOLT SW			
4		72311-32110	1	FRONT HANDLE			
5		22160-32210	2	SCREW PC			
6		22160-32220	2	SCREW	M5*20		
7		22160-33104	1	REAR HANDLE SUB ASSY			
8	•	22160-33310	1	GRIP			
9	•	22160-33320	1	PLATE R			
10	•	22160-33330	1	PLATE L			
11	•	39309-32240	1	THROTTLE LEVER			
12	•	22160-33360	1	LOCK LEVER			
13	•	22160-33370	1	SPRING LEVER			
14	•	22160-33380	1	BOLT LEVER			
15	•	12420-40255	1	SPRING PIN		4x25	
16	•	11202-40120	2	SCREW HILO		4x12	
17	•	22160-33401	1	STOPPER ASSY			
18		22160-33710	3	CUSHION 27			
19		22160-33720	5	PLUG 27			
20		22160-33770	5	BOLT			
21	•	22160-33801	1	CAP ASSY			
22	•	22160-33821	1	GASKET			
23	•	22160-33910	1	PIPE BREATHER			
24	•	22157-33950	1	ELEMENT			
25	•	22160-33920	1	SPRING			
26	•	22160-34110	1	FUEL PIPE			

3. COVER, HANDLE



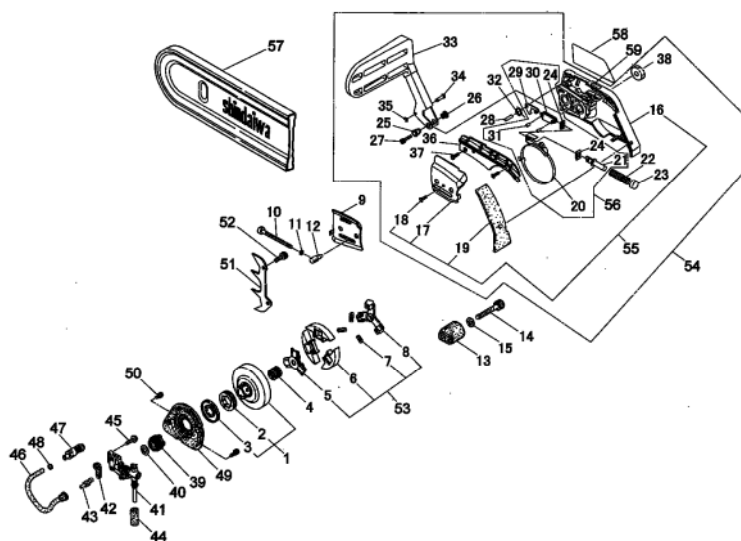
KEY	LV	PART NUMBER	Q'TY	DESCRIPTION	REMARKS	NOTE1	NOTE2
27	•	22115-85401	1	FUEL FILTER			
28	• •	22128-85421	2	ELEMENT, STRAINER			
29	• •	22118-85460	2	ELEMENT			
30	•	20020-85540	1	CLIP			
31		22157-82510	1	CLEANER COVER			
32		22155-82520	1	KNOB CLEANER COVER			
33	•	22160-33590	1	STOPPER R			
34		22160-97810	2	CUSHION 27			
35		19402-00083	1	LABEL CAUTION		PL	
36		19404-00036	1	LABEL DECIBEL		111dB(A)	
37		19401-00094	1	LABEL INST			

4. PISTON, CRANKSHAFT



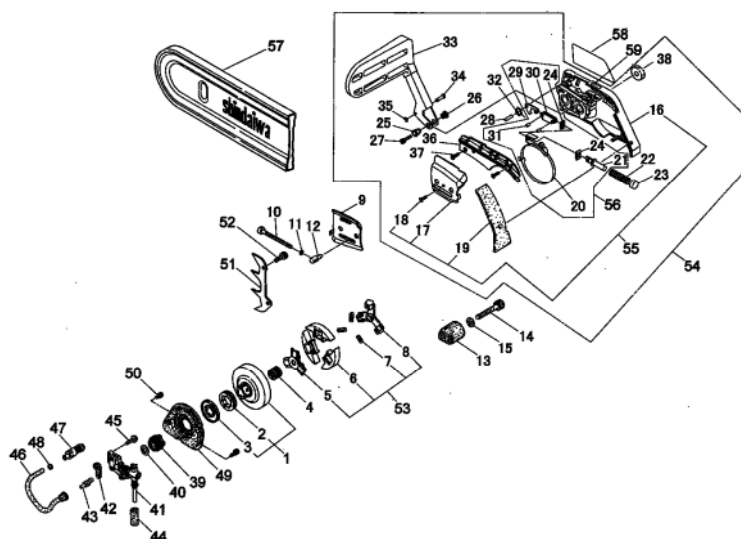
KEY	LV	PART NUMBER	Q'TY	DESCRIPTION	REMARKS	NOTE1	NOTE2
1	•	22157-41112	1	PISTON			
2	•	22157-41210	2	PISTON RING			
3	•	22157-41220	1	PISTON PIN			
4	•	22100-41230	2	SNAP RING			
5	•	22160-41240	1	BEARING			
6		22160-42002	1	CRANK SHAFT			
7	•	22160-12121	1	GASKET CYLINDER			
8		72365-98011	1	PISTON SET			

5. CLUTCH, CLUTCH COVER



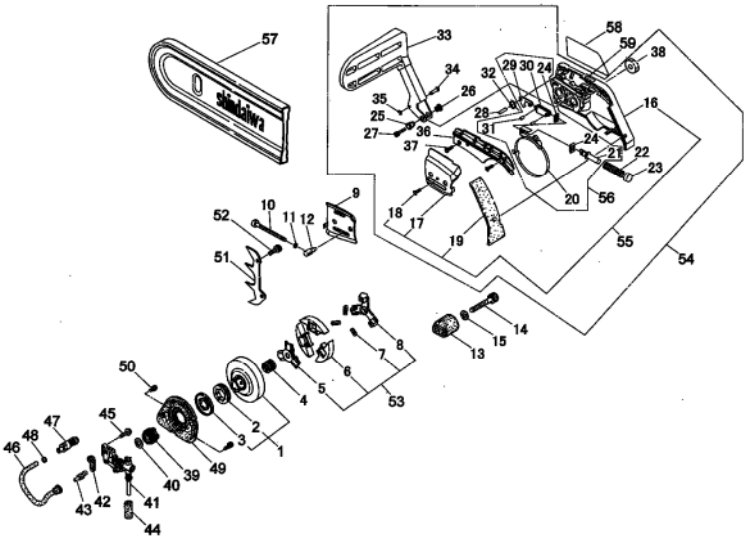
KEY	LV	PART NUMBER	Q'TY	DESCRIPTION	REMARKS	NOTE1	NOTE2
1		22160-51501	1	CLUTCH DRUM ASSY			
2	▪	22131-98120	1	RIM			
3	▪	22160-51530	1	COVER			
4		22100-51310	1	NEEDLE BEARING			
5	▪	22160-51210	1	CLUTCH BOSS A			
6	▪	72346-51220	3	CLUTCH SHOE			
7	▪	72346-51311	3	CLUTCH SPRING			
8	▪	22160-51240	1	CLUTCH BOSS B			
9		72316-54150	1	GUIDE PLATE C			
10		72316-53310	1	SLIDE SCREW			
11		72316-53320	1	SNAP RING			
12		22150-52440	1	TENSIONER,CHAIN			
13		22160-52511	1	CATCHER,CHAIN			
14		22155-12190	1	BOLT			
15		01611-05100	1	WASHER		5mm	
16	▪	72346-54112	1	CLUTCH COVER			
17	▪	72316-54160	1	GUIDE PLATE D			
18	▪	01270-04082	1	SCREW TAPPING		4x8	
19	▪	72316-54171	1	PROTECTOR			
20	▪	72345-54210	1	BRAKE BAND			
21	▪	72316-54220	1	HOLDER SPRING			
22	▪	17500-14002	1	COIL SPRING			
23	▪	72316-54240	1	STOPPER			
24	▪	72316-54310	2	ADJUST PLATE			
25	▪	72316-54520	1	HOLDER			
26	▪	72316-54530	1	NUT LEVER			

5. CLUTCH, CLUTCH COVER



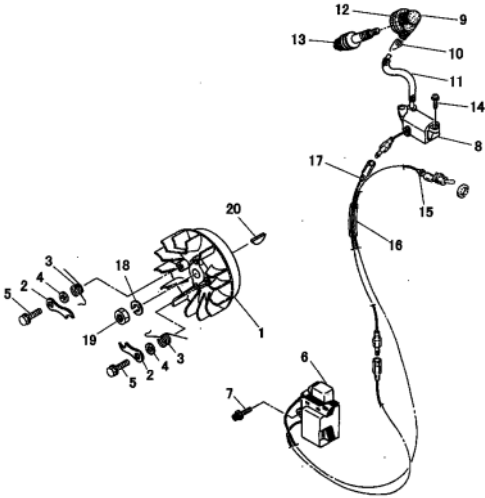
KEY	LV	PART NUMBER	Q'TY	DESCRIPTION	REMARKS	NOTE1	NOTE2
27	•	01020-04120	1	BOLT		M4x12	
28	•	12492-40140	1	ROLLER		N4X13.8F6 C3	
29	•	22173-54561	1	INNER LEVER			
30	•	72316-54570	1	TIE STRAP			
31	•	12492-40080	2	ROLLER		E4X8F6 C3	
32	•	72316-54580	1	SPRING LEVER			
33	•	72316-54511	1	LEVER			
34	•	72316-54540	1	PIN LEVER			
35	•	02434-30060	1	SNAP RING		3mm E	
36	•	72345-54611	1	COVER			
37	•	01270-04122	2	SCREW TAPPING		4x12	
38		22154-52410	2	NUT			
39		22154-55110	1	GEAR			
40		22154-55120	1	THRUST PLATE			
41		22160-55200	1	OIL PUMP ASSY			
42		22150-55411	1	GASKET PUMP			
43		22160-55420	1	ELBOW			
44		22155-55430	1	FILTER			
45		11205-04160	2	SCREW PM		M4x16	
46		22160-55310	1	OIL PIPE			
47		22169-57360	1	OIL FILTER			
48		22100-57370	1	CRIP OIL FILTER			
49		22160-56100	1	PUMP COVER SUB ASSY			
50		22160-56150	4	SCREW PM SW			
51		22160-52530	1	SPIKE			
52		22157-15330	2	BOLT			

5. CLUTCH, CLUTCH COVER



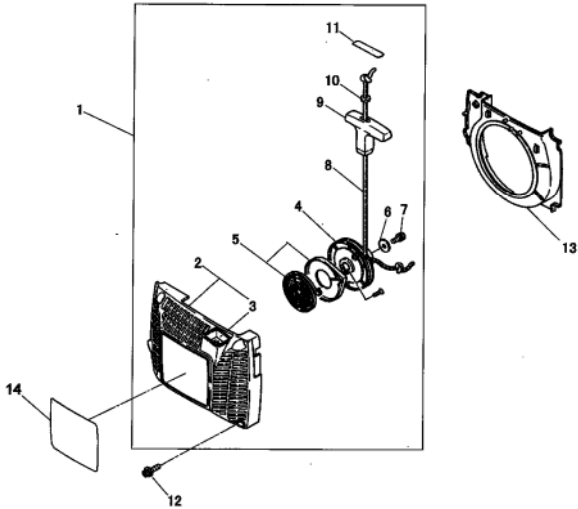
KEY	LV	PART NUMBER	Q'TY	DESCRIPTION	REMARKS	NOTE1	NOTE2
53		72346-51202	1	CLUTCH ASSY			
54		69026-53011	1	CLUTCH COVER SUBASSY			
55	•	72346-54192	1	CLUTCH COVER SUBASSY			
56	•	39020-53320	1	BRAKE BAND COMP			
57		19600-69900	1	CHAIN COVER		500mm	
58		69026-91331	1	LABEL TRADE			
59		19401-00093	1	LABEL INST			

6. MAGNETO



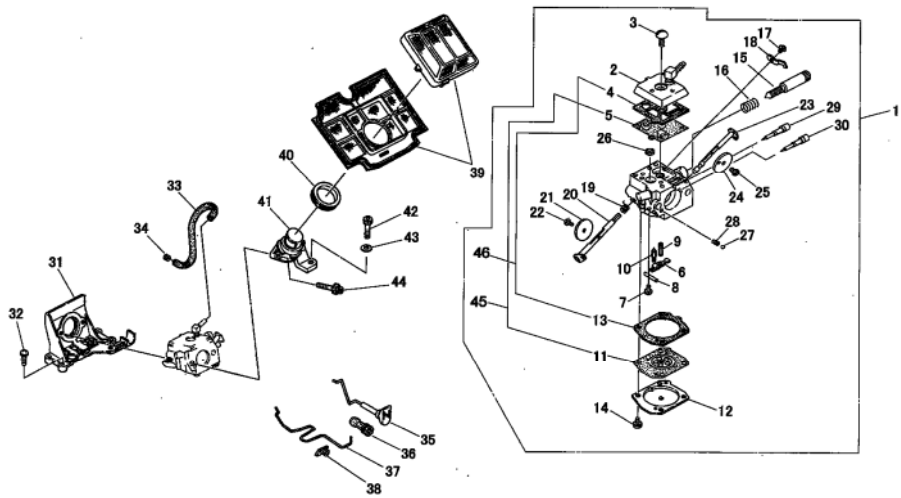
KEY	LV	PART NUMBER	Q'TY	DESCRIPTION	REMARKS	NOTE1	NOTE2
1		22160-71110	1	ROTOR			
2		22100-71410	2	RATCHET			
3		22100-71420	2	SPRING RATCHET			
4		22100-71430	2	WASHER			
5		22140-71440	2	BOLT			
6		22160-71511	1	EXCITE COIL			
7		11024-04200	2	BOLT SW		M4x20	
8		22160-71702	1	IGNITION COIL			
9		22160-72220	1	PLUG CAP			
10		22154-72230	1	TERMINAL, SPARK PLUG			
11		22160-72240	1	TUBE			
12		22160-72260	1	COVER, CAP			
13		13000-13507	1	SPARK PLUG BPMR7A		BPMR7A	
14		11205-04160	2	SCREW PM		M4x16	
15		22160-71520	1	CORD			
16		22160-71530	1	TUBE			
17		22160-71750	1	CORD			
18		01600-08201	1	SPRING WASHER		8mm	
19		22100-43231	1	NUT			
20		02403-03100	1	KEY	3*10	3x10	

7. RECOIL STARTER



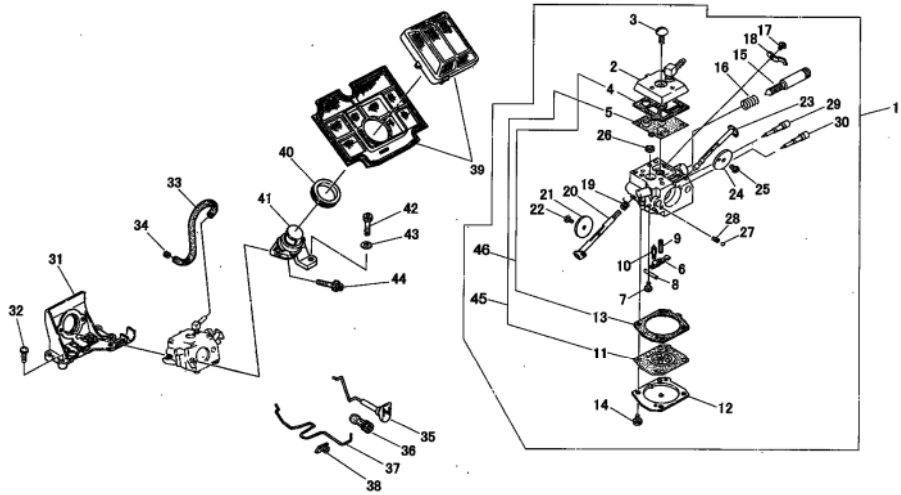
KEY	LV	PART NUMBER	Q'TY	DESCRIPTION	REMARKS	NOTE1	NOTE2
1		22160-75100	1	RECOIL STARETR			
2	•	22160-75210	1	RECOIL CASE			
3	•	22160-75220	1	ROPE GUIDE			
4	•	22160-75310	1	REEL			
5	•	22160-75410	1	RECOIL SPRING			
6	•	22160-75450	1	WASHER			
7	•	01020-05120	1	BOLT	M5*12	M5x12	
8	•	22160-75510	1	ROPE			
9	•	22150-75520	1	KNOB RECOIL			
10	•	22150-75530	1	STOPPER KNOB			
11	•	20010-75230	1	TAPE			
12		11060-04163	4	BOLT		M4x16	
13		22160-75613	1	AIR PLATE			
14		69026-91321	1	LABEL TRADE			

8. CARBURETOR



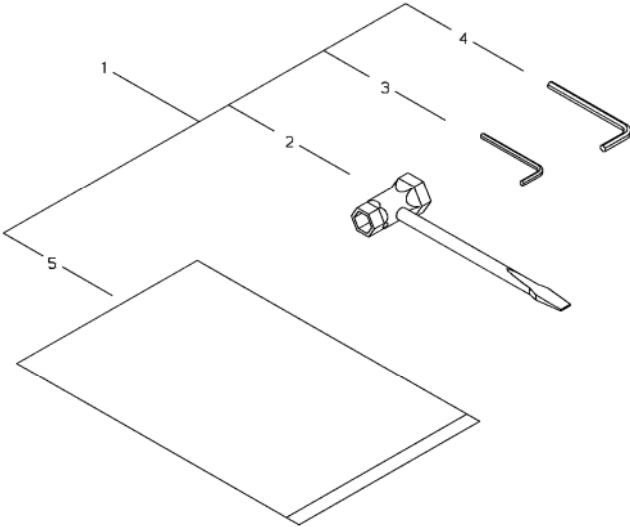
KEY	LV	PART NUMBER	Q'TY	DESCRIPTION	REMARKS	NOTE1	NOTE2
1		69026-81010	1	CARBURETOR ASSY			
2	▪	72365-81120	1	PUMP COVER ASSY			
3	▪	22100-81130	1	SCREW			
4	▪	22150-81140	1	GASKET PUMP			
5	▪	22150-81150	1	DIAPHRAGM PUMP			
6	▪	22160-81230	1	LEVER			
7	▪	22100-81240	1	SCREW			
8	▪	22100-81250	1	PIN			
9	▪	72342-81270	1	SPRING, METER. LEVER			
10	▪	20036-81440	1	VALVE			
11	▪	22150-81260	1	DIAPHRAGM ASSY			
12	▪	22150-81280	1	COVER DAIPHFRAGM			
13	▪	22150-81290	1	GASKET DIAPHRAGM			
14	▪	22100-81351	4	SCREW			
15	▪	22156-81410	1	IDLE SCREW			
16	▪	22156-81420	1	SPRING, IDLE ADJUST			
17	▪	20803-81150	1	SCREW			
18	▪	22160-81390	1	STOPPER			
19	▪	22150-81430	1	RETURN SPRING			
20	▪	22160-81371	1	SHAFT ASSY			
21	▪	22100-81340	1	THROTTLE VALVE			
22	▪	20803-81140	1	SCREW			
23	▪	22160-81740	1	SHAFT ASSY			
24	▪	22160-81710	1	CHOKE VALVE			
25	▪	20803-81150	1	SCREW			
26	▪	70030-81380	1	SCREEN			

8. CARBURETOR



KEY	LV	PART NUMBER	Q'TY	DESCRIPTION	REMARKS	NOTE1	NOTE2
27	•	22150-81720	1	BALL			
28	•	22150-81730	1	SPRING			
29	•	69022-81320	1	NEEDLE			
30	•	69026-81330	1	NEEDLE			
31		22160-82111	1	MOUNT			
32		11024-04160	4	BOLT SLPW		M4x16	
33		22160-82210	1	PULSE PIPE			
34		22150-82140	1	CLIP,PULSE			
35		22160-82311	1	CHOKE ROD			
36		22160-82321	1	GROMMET CHOKE			
37		22160-82353	1	THROTTLE ROD			
38		22160-82360	1	GROMMET ROD			
39		22173-82401	1	AIR CLEANER COMP			
40		22157-82431	1	GROMMET CLEANER			
41		22157-82451	1	ELBOW CARBURETOR			
42		22157-12130	1	BOLT			
43		01613-05080	1	WASHER		5mm	
44		11022-05500	2	BOLT SPW		M5x50	
45		22150-81940	1	DIAPHRAGM KIT			
46		22150-81930	1	GASKET KIT			

9. TOOL



KEY	LV	PART NUMBER	Q'TY	DESCRIPTION	REMARKS	NOTE1	NOTE2
1		69023-92310	1	TOOL SET			
2	▪	22000-91181	1	PLUG WRENCH			
3	▪	09026-03001	1	HEXA WRENCH 4MM		3mm M4	
4	▪	09026-04001	1	HEXA WRENCH	4MM M5ㇿ	4mm M5	
5	▪	19639-01100	1	POLY BAG		0.04*175*115	

Index

Patrs Number	Key No.	Patrs Number	Key No.	Patrs Number	Key No.
01020-04120	5 - 27	22100-81250	8 - 8	22157-41210	4 - 2
01020-05120	7 - 7	22100-81340	8 - 21	22157-41220	4 - 3
01270-04082	5 - 18	22100-81351	8 - 14	22157-82431	8 - 40
01270-04122	5 - 37	22115-14140	1 - 8	22157-82451	8 - 41
01600-08201	6 - 18	22115-57120	2 - 3	22157-82510	3 - 31
01611-05100	5 - 15	22115-85401	3 - 27	22160-12121	1 - 2
01613-05080	8 - 43	22118-85460	3 - 29	22160-12121	4 - 7
02403-03100	6 - 20	22128-85421	3 - 28	22160-12150	1 - 5
02434-30060	5 - 35	22131-98120	5 - 2	22160-12160	1 - 6
09026-03001	9 - 3	22140-71440	6 - 5	22160-12170	1 - 7
09026-04001	9 - 4	22150-21220	2 - 2	22160-15210	1 - 11
11022-05500	8 - 44	22150-21250	2 - 5	22160-15311	1 - 13
11024-04160	8 - 32	22150-21250	2 - 11	22160-21202	2 - 1
11024-04200	6 - 7	22150-52440	5 - 12	22160-21302	2 - 6
11060-04163	7 - 12	22150-55411	5 - 42	22160-21351	2 - 7
11202-40120	3 - 16	22150-75520	7 - 9	22160-21502	2 - 8
11203-04060	1 - 12	22150-75530	7 - 10	22160-21720	2 - 16
11205-04160	5 - 45	22150-81140	8 - 4	22160-22220	1 - 4
11205-04160	6 - 14	22150-81150	8 - 5	22160-22220	2 - 18
12420-40255	3 - 15	22150-81260	8 - 11	22160-22250	2 - 19
12492-40080	5 - 31	22150-81280	8 - 12	22160-31110	3 - 1
12492-40140	5 - 28	22150-81290	8 - 13	22160-31120	3 - 2
12492-50100	2 - 12	22150-81430	8 - 19	22160-31150	3 - 3
12900-62010	2 - 4	22150-81720	8 - 27	22160-32210	3 - 5
12900-62010	2 - 10	22150-81730	8 - 28	22160-32220	3 - 6
13000-13507	6 - 13	22150-81930	8 - 46	22160-33104	3 - 7
17500-14002	5 - 22	22150-81940	8 - 45	22160-33310	3 - 8
19401-00093	5 - 59	22150-82140	8 - 34	22160-33320	3 - 9
19401-00094	3 - 37	22154-22130	2 - 23	22160-33330	3 - 10
19402-00083	3 - 35	22154-52410	5 - 38	22160-33360	3 - 12
19404-00036	3 - 36	22154-55110	5 - 39	22160-33370	3 - 13
19600-69900	5 - 57	22154-55120	5 - 40	22160-33380	3 - 14
19639-01100	9 - 5	22154-72230	6 - 10	22160-33401	3 - 17
20010-75230	7 - 11	22155-12190	5 - 14	22160-33590	3 - 33
20020-85540	3 - 30	22155-55430	5 - 44	22160-33710	3 - 18
20036-81440	8 - 10	22155-82520	3 - 32	22160-33720	3 - 19
20803-81140	8 - 22	22156-81410	8 - 15	22160-33730	2 - 20
20803-81150	8 - 17	22156-81420	8 - 16	22160-33770	3 - 20
20803-81150	8 - 25	22157-12110	1 - 1	22160-33801	3 - 21
22000-91181	9 - 2	22157-12130	1 - 3	22160-33821	3 - 22
22100-41230	4 - 4	22157-12130	1 - 14	22160-33910	3 - 23
22100-43231	6 - 19	22157-12130	2 - 15	22160-33920	3 - 25
22100-51310	5 - 4	22157-12130	8 - 42	22160-34110	3 - 26
22100-57370	5 - 48	22157-15330	1 - 15	22160-41240	4 - 5
22100-71410	6 - 2	22157-15330	5 - 52	22160-42002	4 - 6
22100-71420	6 - 3	22157-21750	2 - 13	22160-51210	5 - 5
22100-71430	6 - 4	22157-21760	2 - 14	22160-51240	5 - 8
22100-81130	8 - 3	22157-33950	3 - 24	22160-51501	5 - 1
22100-81240	8 - 7	22157-41112	4 - 1	22160-51530	5 - 3

Index

Patrs Number	Key No.	Patrs Number	Key No.	Patrs Number	Key No.
22160-52511	5 - 13	70030-81380	8 - 26		
22160-52530	5 - 51	72311-32110	3 - 4		
22160-55200	5 - 41	72312-15100	1 - 9		
22160-55310	5 - 46	72312-15220	1 - 10		
22160-55420	5 - 43	72312-21520	2 - 9		
22160-56100	5 - 49	72312-22260	2 - 22		
22160-56150	5 - 50	72316-53310	5 - 10		
22160-71110	6 - 1	72316-53320	5 - 11		
22160-71511	6 - 6	72316-54150	5 - 9		
22160-71520	6 - 15	72316-54160	5 - 17		
22160-71530	6 - 16	72316-54171	5 - 19		
22160-71702	6 - 8	72316-54220	5 - 21		
22160-71750	6 - 17	72316-54240	5 - 23		
22160-72220	6 - 9	72316-54310	5 - 24		
22160-72240	6 - 11	72316-54511	5 - 33		
22160-72260	6 - 12	72316-54520	5 - 25		
22160-75100	7 - 1	72316-54530	5 - 26		
22160-75210	7 - 2	72316-54540	5 - 34		
22160-75220	7 - 3	72316-54570	5 - 30		
22160-75310	7 - 4	72316-54580	5 - 32		
22160-75410	7 - 5	72342-81270	8 - 9		
22160-75450	7 - 6	72345-54210	5 - 20		
22160-75510	7 - 8	72345-54611	5 - 36		
22160-75613	7 - 13	72346-51202	5 - 53		
22160-81230	8 - 6	72346-51220	5 - 6		
22160-81371	8 - 20	72346-51311	5 - 7		
22160-81390	8 - 18	72346-54112	5 - 16		
22160-81710	8 - 24	72346-54192	5 - 55		
22160-81740	8 - 23	72365-21310	2 - 17		
22160-82111	8 - 31	7236521320	2 - 24		
22160-82210	8 - 33	72365-81120	8 - 2		
22160-82311	8 - 35	72365-98011	4 - 8		
22160-82321	8 - 36				
22160-82353	8 - 37				
22160-82360	8 - 38				
22160-97810	3 - 34				
22169-57360	5 - 47				
22173-54561	5 - 29				
22173-82401	8 - 39				
39020-53320	5 - 56				
39309-32240	3 - 11				
69022-81320	8 - 29				
69023-92310	9 - 1				
69026-21310	2 - 21				
69026-53011	5 - 54				
69026-81010	8 - 1				
69026-81330	8 - 30				
69026-91321	7 - 14				
69026-91331	5 - 58				

YAMABIKO CORPORATION

7-2 SUEHIROCHO 1-CHOME, OHME, TOKYO 198-8760, JAPAN
PHONE: 81-428-32-6118. FAX: 81-428-32-6145.

shindaiwa[®]

EC1
No.