

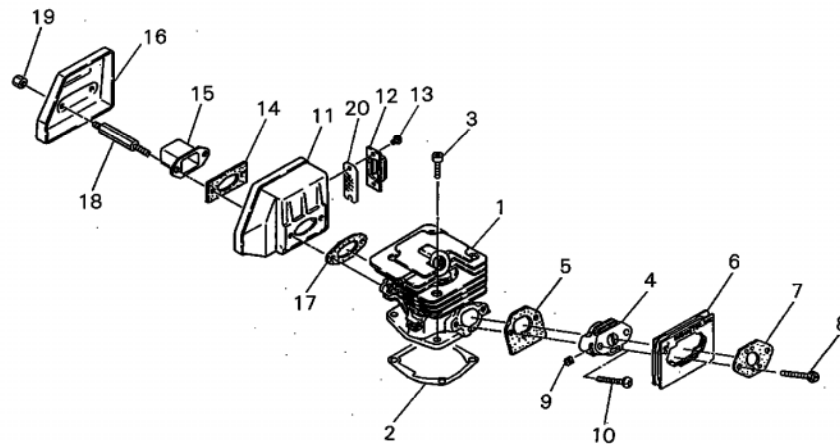
shindaiwa[®]

PARTS CATALOGUE

**CHAIN SAW
300S EMC**

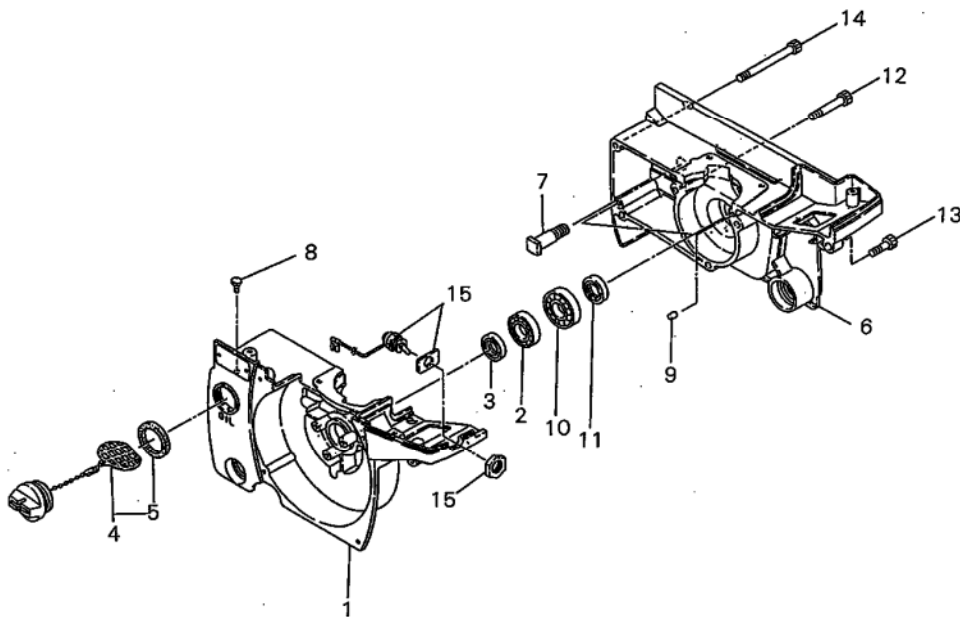
300S EMC

1. CYLINDER, MUFFLER



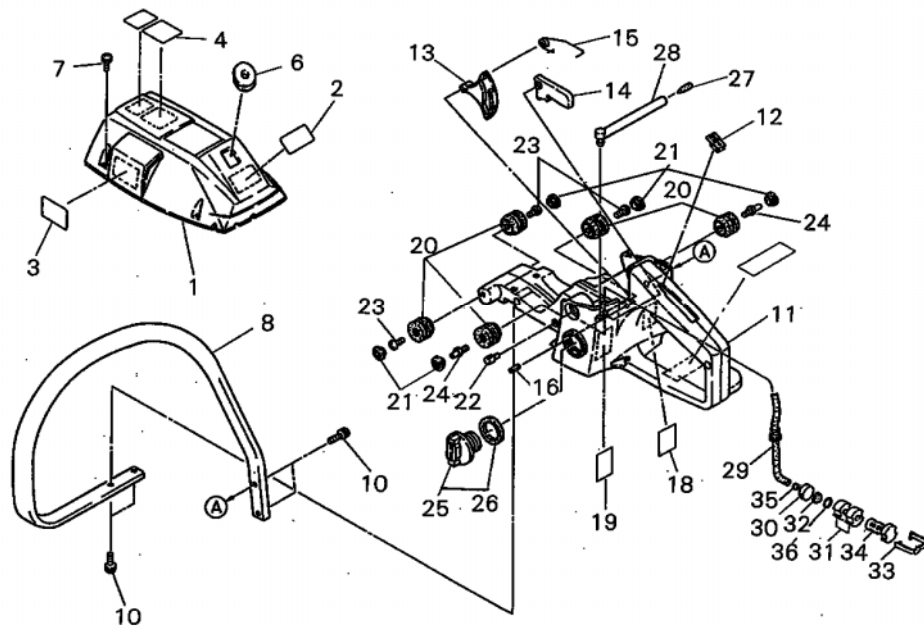
KEY	LV	PART NUMBER	Q'TY	DESCRIPTION	REMARKS	NOTE1	NOTE2
1		22154-12111	1	CYLINDER			
2		22154-12120	1	GASKET CYLINDER			
3		22154-12130	4	BOLT			
4		22166-12150	1	INSULATOR			
5		22154-12160	1	GASKET INSULATOR			
6		22137-12170	1	SEAL			
7		22154-12190	1	GASKET CARBURETOR			
8		11260-04163	2	SCREW ADHESIVE		M4x16	
9		22166-12210	2	NUT			
10		11260-04161	2	SCREW ADHESIVE		M4x16	
11		72288-15100	1	BASE MUFFLER ASSY			
11		22154-15110	1	BASE MUFFLER			
20		72288-15120	1	SCREEN			
12		22154-15130	1	TAIL PLATE			
13		11203-04060	2	SCREW PM		M4x6	
14		22154-15140	1	PLATE MUFFLER			
15		72303-15150	1	PIPE MUFFLER			
16		72303-15180	1	COVER MUFFLER			
17		22154-15211	1	GASKET MUFFLER			
18		72303-15410	2	BOLT			
19		20011-12260	2	NUT			
16		22154-21202	1	CRANK CASE M COMP			

2. CRANKCASE



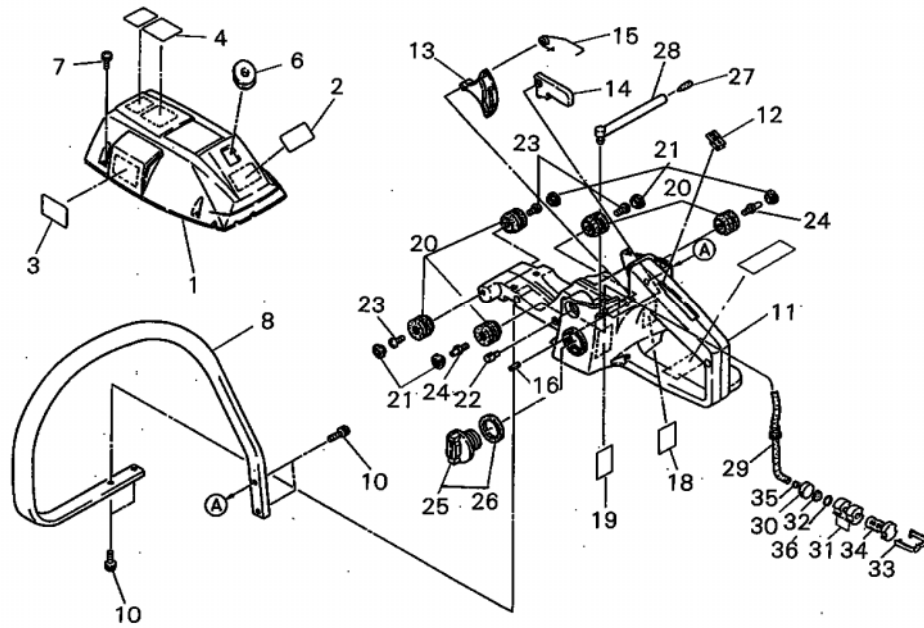
KEY	LV	PART NUMBER	Q'TY	DESCRIPTION	REMARKS	NOTE1	NOTE2
1	•	22154-21213	1	CRANK CASE M			
8	•	22115-57120	1	VALVE OIL TANK			
2	•	12900-60010	1	BALL BEARING			
3	•	22150-21250	1	SEAL,OIL			
4		22160-21302	1	OIL CAP ASSY			
5	•	22160-21351	1	GASKET CAP			
17		22154-21503	1	CRANK CASE C COMP			
6	•	22154-21513	1	CRANK CASE C			
7	•	22154-21520	1	BOLT BAR			
9	•	12492-40080	2	ROLLER			
10	•	12900-62010	1	BEARING			
11	•	22150-21250	1	SEAL,OIL			
12		11060-05300	3	BOLT ADHESIVE		M5x30	
13		11060-05182	1	BOLT ADHESIVE		M5x18	
14		11060-05450	2	BOLT ADHESIVE		M5x45	
15		22154-22101	1	SWITCH ASSY			
18		39035-21310	1	GASKET CASE			
19	•	22154-22130	1	NUT			
20	•	22154-22141	1	PLATE			

3. COVER, HANDLE



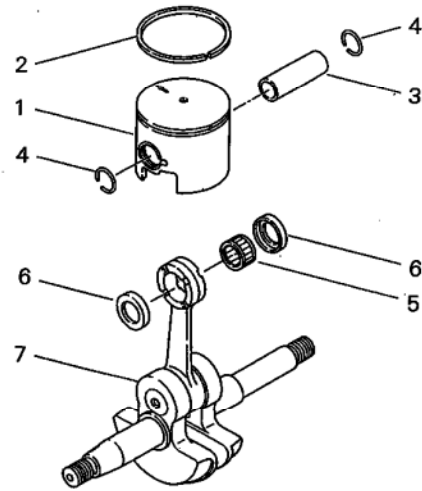
KEY	LV	PART NUMBER	Q'TY	DESCRIPTION	REMARKS	NOTE1	NOTE2
1		22154-31111	1	CYLINDER COVER			
2		72288-31120	1	CAUTION PLATE K			
3		72288-31130	1	CAUTION PLATE A			
4		72288-31142	1	CAUTION PLATE G			
6		22154-31160	1	GROMMET IDLE			
7		11206-04160	3	SCREW PM SPW		M4x16	
8		72296-32111	1	FRONT HANDLE			
10		11029-50210	4	BOLT HILO			
37		22137-33102	1	REAR HANDLE SUB ASSY			
11	•	72303-33201	1	REAR HANDLE			
12	•	22154-33310	1	SLIDE STOPPER			
13	•	22154-33320	1	THROTTLE LEVER			
14	•	22154-33330	1	LOCK LEVER			
15	•	17520-11300	1	COIL SPRING			
16	•	12420-40255	2	SPRING PIN		4x25	
18		72229-53130	1	CAUTION PLATE H			
19		72229-75180	1	CAUTION PLATE I			
20		22154-33731	5	CUSHION 22			
21		22154-33740	5	PLUG 22			
22		22154-33750	1	SUPPORTER			
23		22156-33750	3	BOLT HILO			
24		22154-33761	2	STOP BOLT 22			
25		22137-33800	1	FUEL CAP ASSY			
26	•	22160-21351	1	GASKET CAP			
38		22154-33900	1	BREATHER ASSY			
27	•	22155-33950	1	ELEMENT			

3. COVER, HANDLE



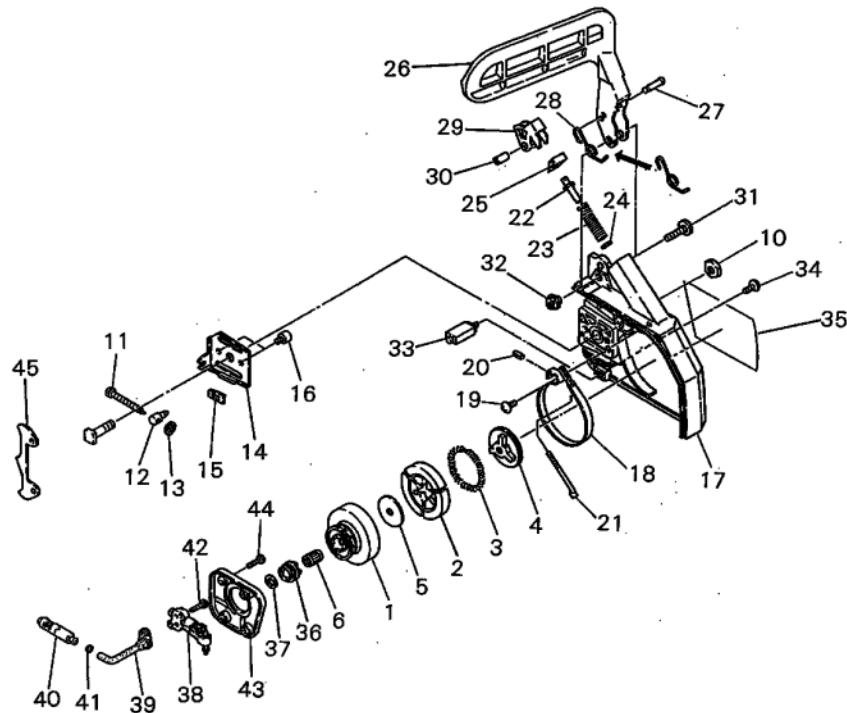
KEY	LV	PART NUMBER	Q'TY	DESCRIPTION	REMARKS	NOTE1	NOTE2
28	•	22154-33940	1	PIPE			
39		22159-34100	1	FUEL PIPE ASSY			
29		22159-34110	1	FUEL PIPE			
40	•	22115-85401	1	FUEL FILTER			
30	• •	22128-85410	1	FUEL LINE WEIGHT			
31	• •	22128-85421	2	ELEMENT, STRAINER			
32	• •	22118-85460	2	ELEMENT			
33	• •	22128-85440	1	CLIP FILTER			
34	• •	22128-85470	1	SLEEVE			
35	• •	20020-85540	1	CLIP			
36	• •	22128-85480	1	RING			

4. PISTON, CRANKSHAFT



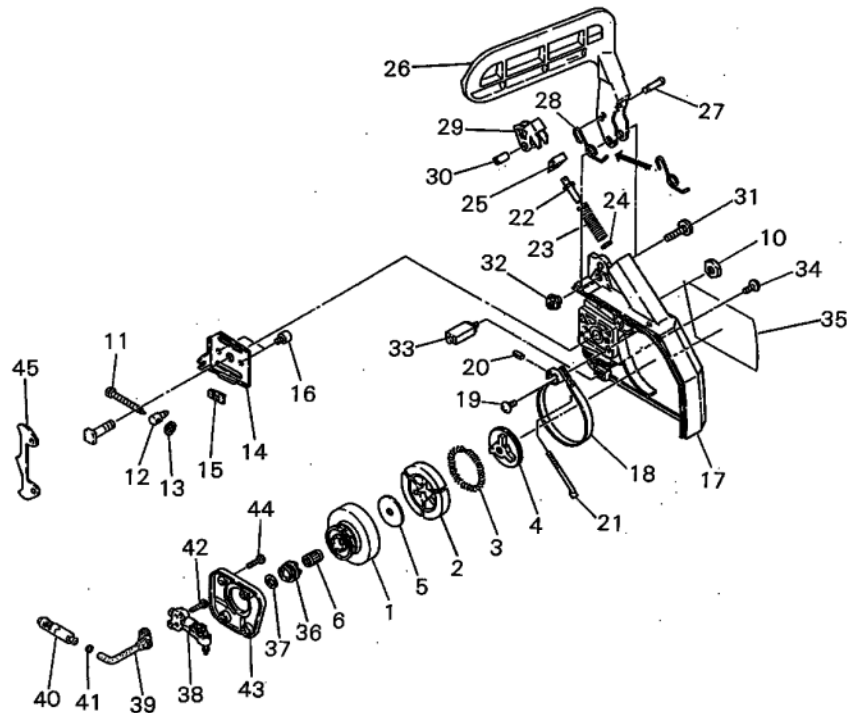
KEY	LV	PART NUMBER	Q'TY	DESCRIPTION	REMARKS	NOTE1	NOTE2
1		22154-41110	1	PISTON			
2		22100-41210	1	PISTON RING			
3		20010-41310	1	PISTON PIN			
4		22100-41230	2	SNAP RING			
5		20010-41330	1	NEEDLE BEARING			
6		22156-41340	2	THRUST WASHER			
7		22154-42000	1	CRANK SHAFT ASSY			

5. CLUTCH, CLUTCH COVER



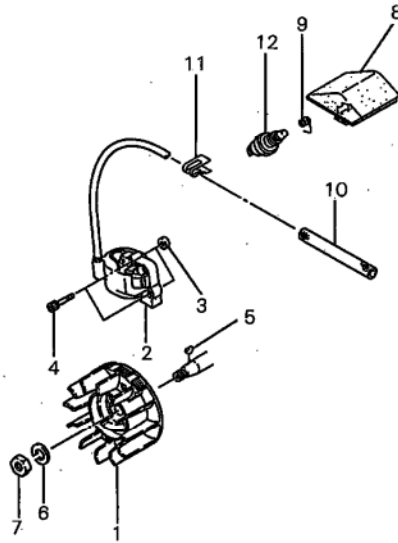
KEY	LV	PART NUMBER	Q'TY	DESCRIPTION	REMARKS	NOTE1	NOTE2
1		22163-51110	1	CLUTCH DRUM			
46		22154-51200	1	CLUTCH ASSY			
2	•	22154-51220	3	CLUTCH SHOE			
3	•	22102-51230	1	CLUTCH SPRING			
4	•	22154-51240	1	CLUTCH BOSS B			
5		22154-51250	1	CLUTCH BOSS A			
6		22102-51310	1	NEEDLE BEARING			
10		22154-52410	1	NUT			
11		22154-52421	1	SLIDE SCREW			
12		22150-52440	1	TENSIONER,CHAIN			
13		22154-52450	1	PUSH NUT			
14		22154-52460	1	MOUNT GUARD			
15		22154-52470	1	CHAIN PAT			
16		22154-52490	2	PIN BAR			
47		72303-54102	1	BRAKE ASSY			
17	•	22154-54111	1	CLUTCH COVER			
18	•	22156-54210	1	BRAKE BAND			
19	•	01275-05102	1	SCREW TRUSS T		5x10	
20	•	02427-40125	1	SPRING PIN		4x12	
21	•	22156-54310	1	ADJUST ROD			
22	•	22156-54320	1	ADJUST SCREW			
23	•	22156-54330	1	BRAKE SPRING			
24	•	01613-06100	1	WASHER		6mm	
25	•	22156-54410	1	BLOCK			
26	•	72288-54310	1	LEVER			
27	•	22156-54520	1	STOPPER PIN			

5. CLUTCH, CLUTCH COVER



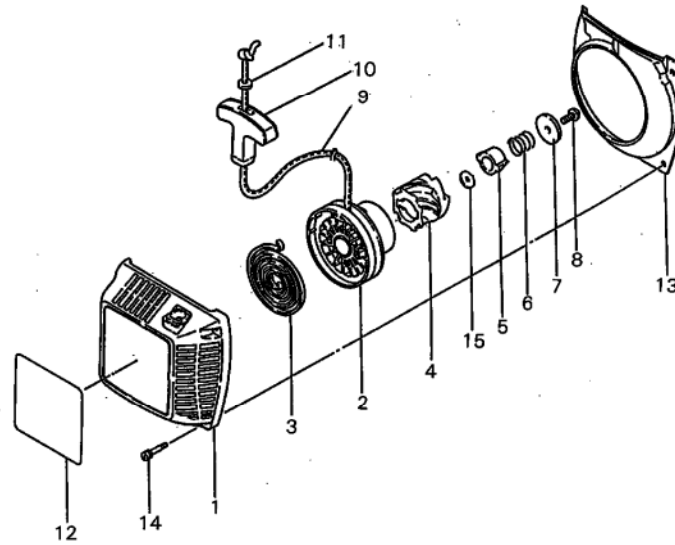
KEY	LV	PART NUMBER	Q'TY	DESCRIPTION	REMARKS	NOTE1	NOTE2
28	•	22154-54540	1	RELIEF SPRING			
29	•	72299-54560	1	LEVER COMP			
30	•	22156-54570	1	PIN LEVER			
31	•	22154-54580	1	BOLT LEVER			
32	•	22154-54590	1	NUT LEVER			
33	•	22154-54611	1	CHAIN CATCHER			
34	•	01275-03082	1	SCREW TRUSS T		3x8	
35	•	72303-54811	1	LABEL TRADE			
36		22154-55110	1	GEAR			
37		22154-55120	1	THRUST PLATE			
38		22197-55201	1	OIL PUMP ASSY			
48		22154-55301	1	OIL PIPE ASSY			
39	•	22154-55310	1	OIL PIPE			
40	•	22154-55330	1	OIL FILTER			
41	•	22154-85540	1	CLIP OIL			
42		11260-04120	2	スクリュートピーツ		M4x12	
43		22154-56110	1	PUMP COVER			
44		11260-04120	4	スクリュートピーツ		M4x12	
45		22154-52530	1	SPIKE			

6. MAGNETO



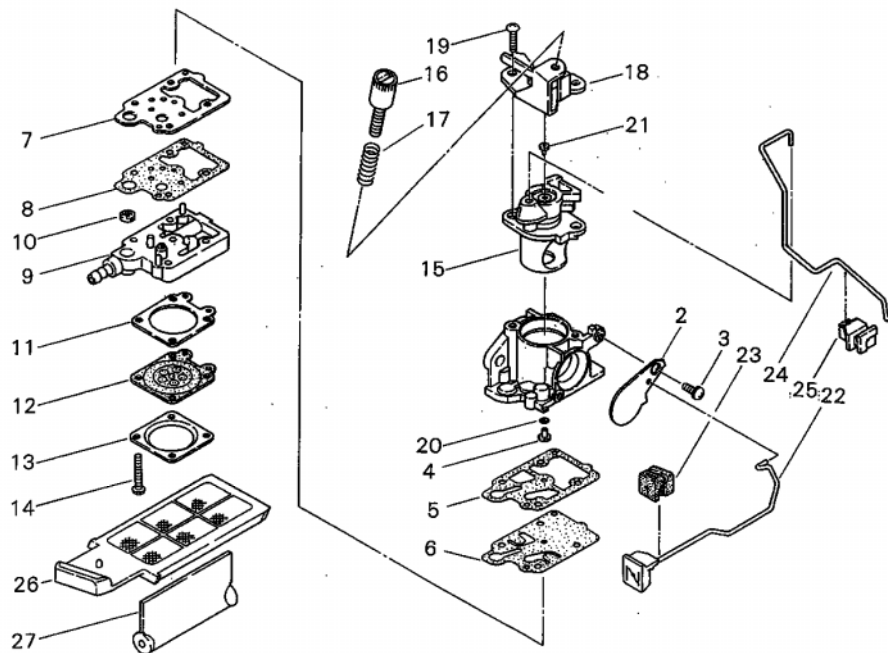
KEY	LV	PART NUMBER	Q'TY	DESCRIPTION	REMARKS	NOTE1	NOTE2
1		22154-71100	1	ROTOR			
2		20024-71610	1	COIL			
3		22154-71811	2	INSULATOR			
4		11060-04240	2	BOLT ADHESIVE		M4x24	
5		02403-03100	1	KEY	3*10	3x10 A	
6		01600-08201	1	SPRING WASHER		8mm	
7		22100-43231	1	NUT			
8		22154-72220	1	PLUG CAP			
9		22154-72230	1	TERMINAL SPARKPLUG			
10		70064-72110	1	TUBE			
11		22154-72240	1	CLIP			
12		13000-13507	1	SPARK PLUG BPMR7A		BPMR7A	
16		22154-75101	1	RECOIL STARETR			

7. RECOIL STARTER



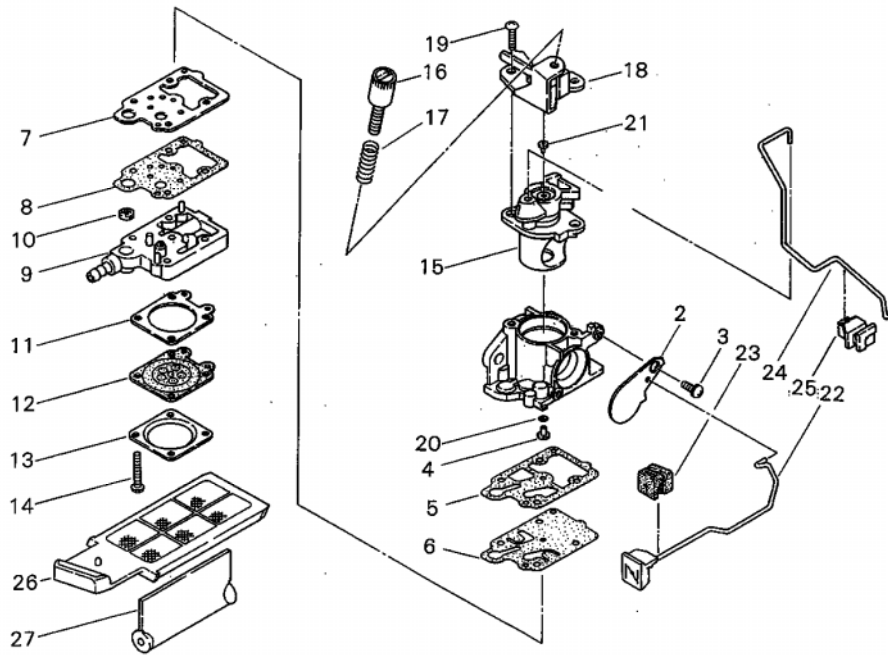
KEY	LV	PART NUMBER	Q'TY	DESCRIPTION	REMARKS	NOTE1	NOTE2
1	•	22154-75112	1	RECOIL CASE			
17	• •	22182-75120	1	GUIDE			
2	•	22154-75210	1	REEL			
3	•	22159-75310	1	RECOIL SPRING			
4	•	22154-75341	1	RATCHET			
5	•	22154-75353	1	GUIDE			
6	•	22154-75360	1	FRICTION SPRING			
15	•	22154-75371	1	THRUST WASHER			
7	•	22154-75380	1	WASHER			
8	•	20035-75170	1	SCREW			
9	•	22154-75410	1	ROPE			
10	•	22154-75420	1	KNOB RECOIL			
11	•	22154-75430	1	STOPPER KNOB			
12		72303-75442	1	LABEL TRADE			
13		22154-75610	1	AIR PLATE			
14		11206-04200	4	SCREW PM SPW		M4x20	

8. CARBURETOR



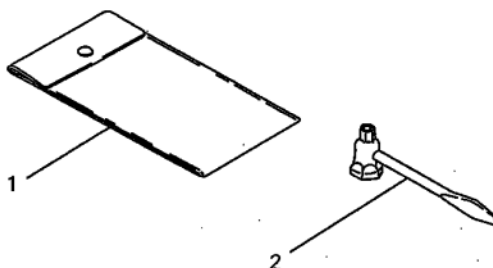
KEY	LV	PART NUMBER	Q'TY	DESCRIPTION	REMARKS	NOTE1	NOTE2
1		22137-81000	1	CARBURETOR ASSY			
2	•	22154-81120	1	CHOKE VALVE			
3	•	22154-81130	1	SCREW			
4	•	22137-81140	1	JET			
5	•	22154-81150	1	GASKET PUMP			
6	•	22154-81160	1	DIAPHRAGM PUMP			
7	•	22154-81170	1	PLATE PUMP			
8	•	22154-81180	1	GASKET PLATE			
9	•	22137-81190	1	PUMP BODY ASSY			
10	•	70030-81380	1	SCREEN			
11	•	22100-81290	1	GASKET, M. DIAPHRAGM			
12	•	22100-81260	1	DIAPHRAGM ASM			
13	•	22100-81280	1	COVER DIAPHRAGM			
14	•	70097-81140	4	SCREW			
15	•	22137-81230	1	THROTTLE VALVE			
16	•	22154-81410	1	IDLE SCREW			
17	•	22154-81420	1	SPRING IDLE			
18	•	22154-81430	1	BRACKET			
19	•	22154-81440	2	SCREW			
20	•	70097-81220	1	O-RING			
21	•	22154-81270	1	PLUG			
22		22137-82120	1	CHOKE ROD			
23		22137-82130	1	GROMMET CHOKE			
24		22154-82140	1	THROTTLE ROD			
25		22154-82150	1	GROMMET ROD			
26		22154-82310	1	AIR CLEANER			

8. CARBURETOR



KEY	LV	PART NUMBER	Q'TY	DESCRIPTION	REMARKS	NOTE1	NOTE2
27		22154-82320	1	SHUTTER			
28		22154-81910	1	GASKET KIT			
29		22154-81920	1	DIAPHRAGM KIT			

9. TOOL



KEY	LV	PART NUMBER	Q'TY	DESCRIPTION	REMARKS	NOTE1	NOTE2
3		72288-91000	1	TOOL SET			
1	•	19639-01100	1	POLY BAG			
2	•	22961-92310	1	PLUG WRENCH			

Index

Patrs Number	Key No.	Patrs Number	Key No.	Patrs Number	Key No.
01275-03082	5 - 34	22137-33800	3 - 25	22154-52490	5 - 16
01275-05102	5 - 19	22137-81000	8 - 1	22154-52530	5 - 45
01600-08201	6 - 6	22137-81140	8 - 4	22154-54111	5 - 17
01613-06100	5 - 24	22137-81190	8 - 9	22154-54540	5 - 28
02403-03100	6 - 5	22137-81230	8 - 15	22154-54580	5 - 31
02427-40125	5 - 20	22137-82120	8 - 22	22154-54590	5 - 32
11029-50210	3 - 10	22137-82130	8 - 23	22154-54611	5 - 33
11060-04240	6 - 4	22150-21250	2 - 3	22154-55110	5 - 36
11060-05182	2 - 13	22150-21250	2 - 11	22154-55120	5 - 37
11060-05300	2 - 12	22150-52440	5 - 12	22154-55301	5 - 48
11060-05450	2 - 14	22154-12111	1 - 1	22154-55310	5 - 39
11203-04060	1 - 13	22154-12120	1 - 2	22154-55330	5 - 40
11206-04160	3 - 7	22154-12130	1 - 3	22154-56110	5 - 43
11206-04200	7 - 14	22154-12160	1 - 5	22154-71100	6 - 1
11260-04120	5 - 42	22154-12190	1 - 7	22154-71811	6 - 3
11260-04120	5 - 44	22154-15110	1 - 11	22154-72220	6 - 8
11260-04161	1 - 10	22154-15130	1 - 12	22154-72230	6 - 9
11260-04163	1 - 8	22154-15140	1 - 14	22154-72240	6 - 11
12420-40255	3 - 16	22154-15211	1 - 17	22154-75101	6 - 16
12492-40080	2 - 9	22154-21202	1 - 16	22154-75112	7 - 1
12900-60010	2 - 2	22154-21213	2 - 1	22154-75210	7 - 2
12900-62010	2 - 10	22154-21503	2 - 17	22154-75341	7 - 4
13000-13507	6 - 12	22154-21513	2 - 6	22154-75353	7 - 5
17520-11300	3 - 15	22154-21520	2 - 7	22154-75360	7 - 6
19639-01100	9 - 1	22154-22101	2 - 15	22154-75371	7 - 15
20010-41310	4 - 3	22154-22130	2 - 19	22154-75380	7 - 7
20010-41330	4 - 5	22154-22141	2 - 20	22154-75410	7 - 9
20011-12260	1 - 19	22154-31111	3 - 1	22154-75420	7 - 10
20020-85540	3 - 35	22154-31160	3 - 6	22154-75430	7 - 11
20024-71610	6 - 2	22154-33310	3 - 12	22154-75610	7 - 13
20035-75170	7 - 8	22154-33320	3 - 13	22154-81120	8 - 2
22100-41210	4 - 2	22154-33330	3 - 14	22154-81130	8 - 3
22100-41230	4 - 4	22154-33731	3 - 20	22154-81150	8 - 5
22100-43231	6 - 7	22154-33740	3 - 21	22154-81160	8 - 6
22100-81260	8 - 12	22154-33750	3 - 22	22154-81170	8 - 7
22100-81280	8 - 13	22154-33761	3 - 24	22154-81180	8 - 8
22100-81290	8 - 11	22154-33900	3 - 38	22154-81270	8 - 21
22102-51230	5 - 3	22154-33940	3 - 28	22154-81410	8 - 16
22102-51310	5 - 6	22154-41110	4 - 1	22154-81420	8 - 17
22115-57120	2 - 8	22154-42000	4 - 7	22154-81430	8 - 18
22115-85401	3 - 40	22154-51200	5 - 46	22154-81440	8 - 19
22118-85460	3 - 32	22154-51220	5 - 2	22154-81910	8 - 28
22128-85410	3 - 30	22154-51240	5 - 4	22154-81920	8 - 29
22128-85421	3 - 31	22154-51250	5 - 5	22154-82140	8 - 24
22128-85440	3 - 33	22154-52410	5 - 10	22154-82150	8 - 25
22128-85470	3 - 34	22154-52421	5 - 11	22154-82310	8 - 26
22128-85480	3 - 36	22154-52450	5 - 13	22154-82320	8 - 27
22137-12170	1 - 6	22154-52460	5 - 14	22154-85540	5 - 41
22137-33102	3 - 37	22154-52470	5 - 15	22155-33950	3 - 27

Index

Patrs Number	Key No.	Patrs Number	Key No.	Patrs Number	Key No.
22156-33750	3 - 23				
22156-41340	4 - 6				
22156-54210	5 - 18				
22156-54310	5 - 21				
22156-54320	5 - 22				
22156-54330	5 - 23				
22156-54410	5 - 25				
22156-54520	5 - 27				
22156-54570	5 - 30				
22159-34100	3 - 39				
22159-34110	3 - 29				
22159-75310	7 - 3				
22160-21302	2 - 4				
22160-21351	2 - 5				
22160-21351	3 - 26				
22163-51110	5 - 1				
22166-12150	1 - 4				
22166-12210	1 - 9				
22182-75120	7 - 17				
22197-55201	5 - 38				
22961-92310	9 - 2				
39035-21310	2 - 18				
70030-81380	8 - 10				
70064-72110	6 - 10				
70097-81140	8 - 14				
70097-81220	8 - 20				
72229-53130	3 - 18				
72229-75180	3 - 19				
72288-15100	1 - 21				
72288-15120	1 - 20				
72288-31120	3 - 2				
72288-31130	3 - 3				
72288-31142	3 - 4				
72288-54310	5 - 26				
72288-91000	9 - 3				
72296-32111	3 - 8				
72299-54560	5 - 29				
72303-15150	1 - 15				
72303-15180	1 - 16				
72303-15410	1 - 18				
72303-33201	3 - 11				
72303-54102	5 - 47				
72303-54811	5 - 35				
72303-75442	7 - 12				

YAMABIKO CORPORATION

7-2 SUEHIROCHO 1-CHOME, OHME, TOKYO 198-8760, JAPAN
PHONE: 81-428-32-6118. FAX: 81-428-32-6145.

shindaiwa[®]

EMC
No.