

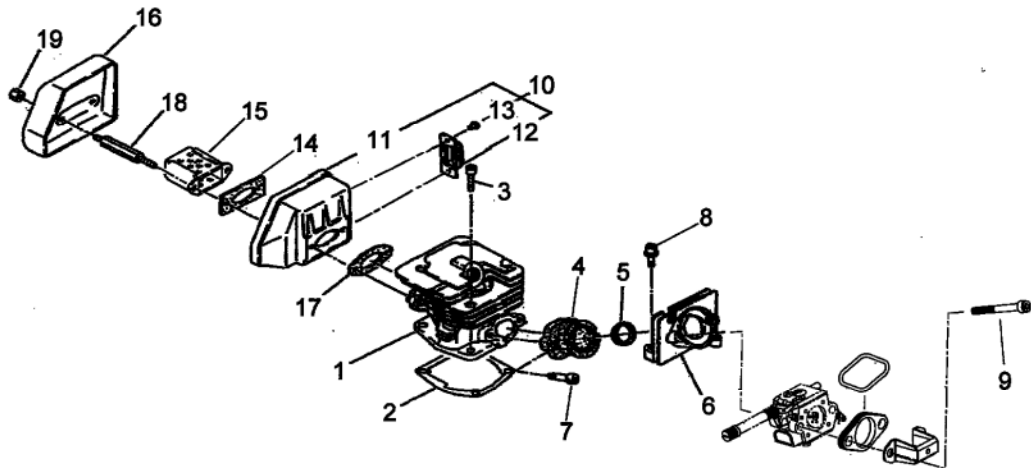
shindaiwa[®]

PARTS CATALOGUE

**CHAIN SAW
285S EC1**

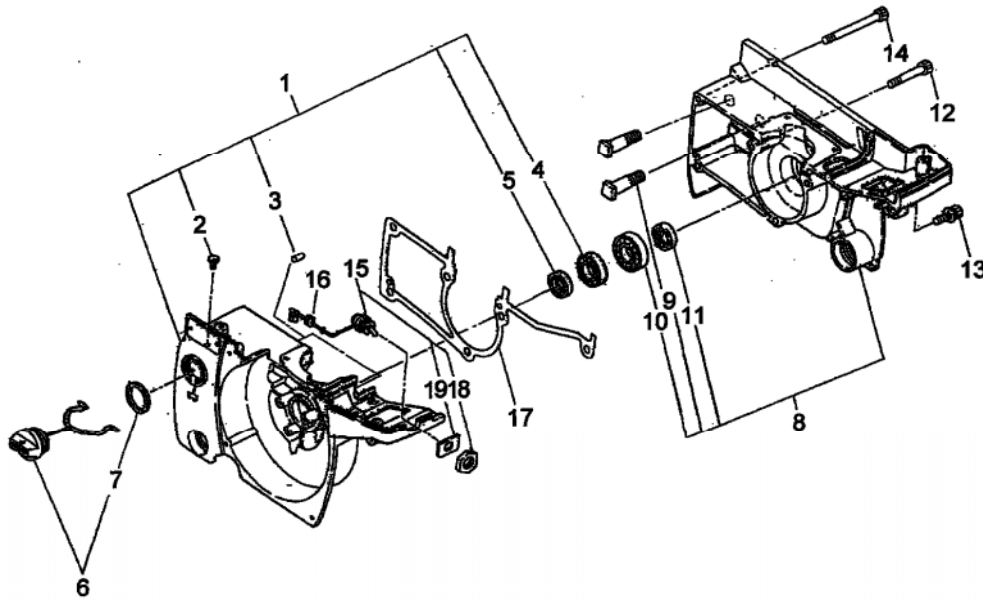
285S EC1

1. CYLINDER, MUFFLER



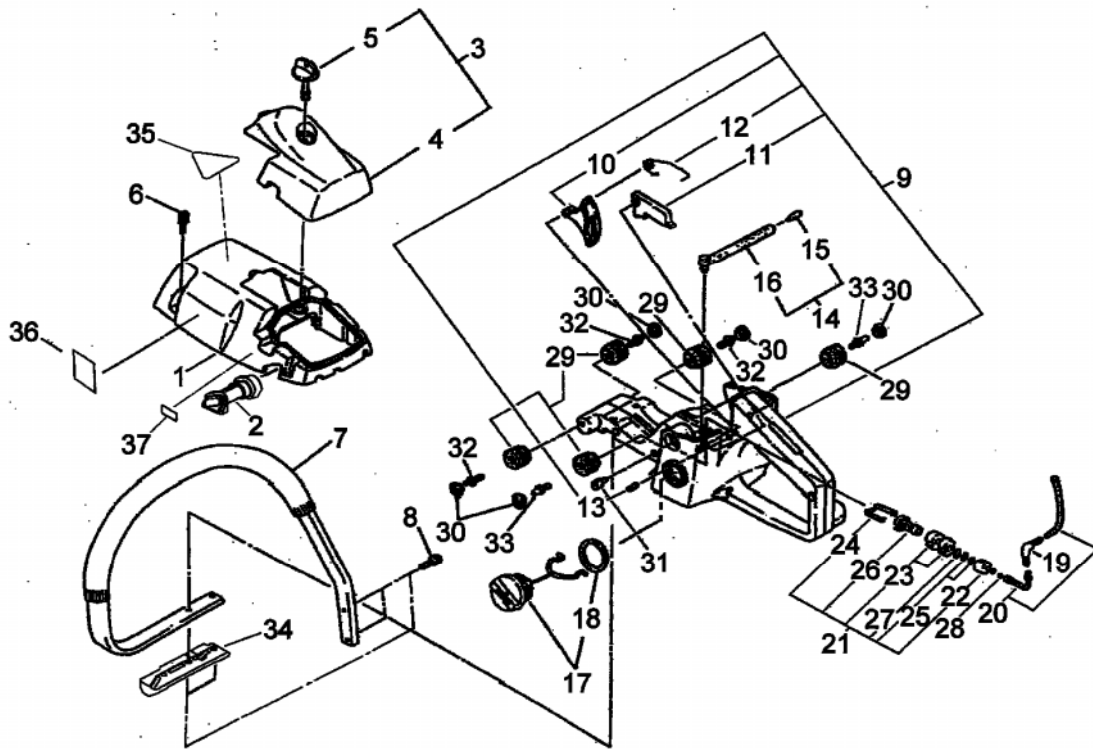
KEY	LV	PART NUMBER	Q'TY	DESCRIPTION	REMARKS	NOTE1	NOTE2
1		39300-12110	1	CYLINDER			
2		22154-12120	1	GASKET CYLINDER			
3		22154-12130	4	BOLT			
4		22156-12154	1	BOOT			
5		22156-14140	1	COLLAR			
6		22177-12170	1	BRACKET			
7		11060-04121	2	BOLT ADHEISIVE			
8		11060-04141	2	BOLT ADHESIVE			
9		11060-05500	2	BOLT ADHESIVE			
10		22154-15100	1	BASEMUFFLER SUB ASSY			
11		22154-15110	1	BASE MUFFLER			
12		22154-15130	1	TAIL PLATE			
13		11203-04060	2	SCREW PM			
14		22154-15140	1	PLATE MUFFLER			
15		22154-15150	1	PIPE MUFFLER			
16		72303-15180	1	COVER MUFFLER			
17		22154-15211	1	GASKET MUFFLER			
18		72303-15410	2	BOLT			
19		20011-12260	2	NUT			

2. CRANKCASE



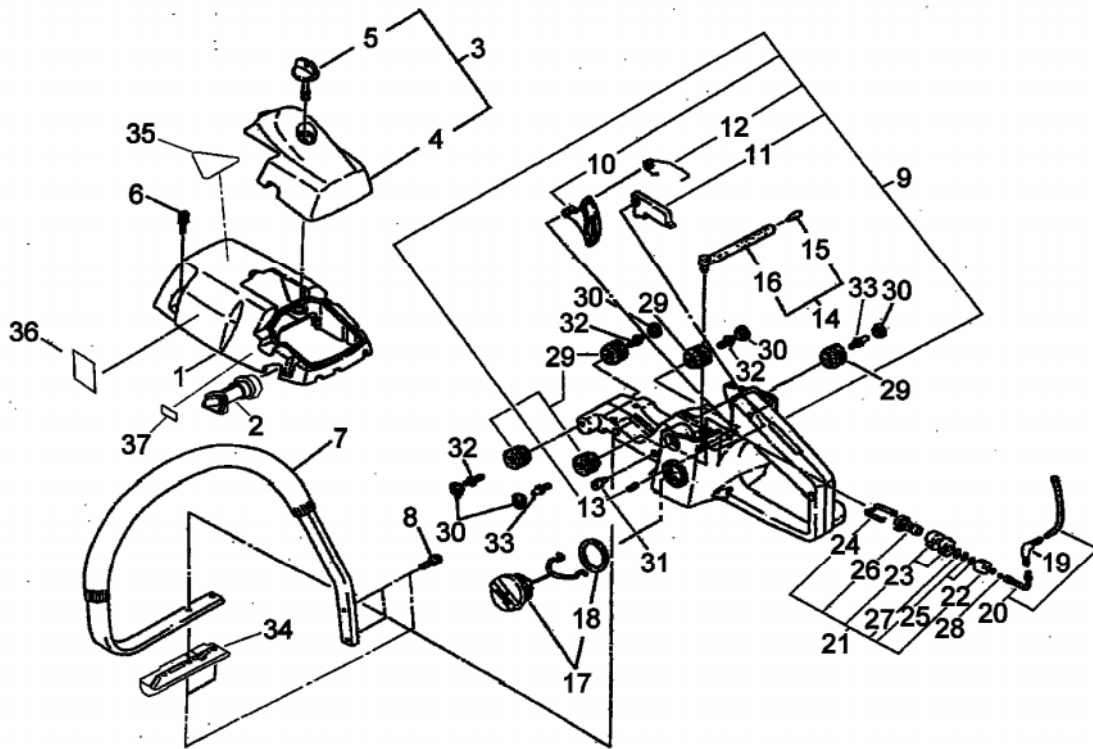
KEY	LV	PART NUMBER	Q'TY	DESCRIPTION	REMARKS	NOTE1	NOTE2
1		22165-21201	1	CRANK CASE M COMP			
2	•	22115-57120	1	VALVE OIL TANK			
3	•	12492-40080	2	ROLLER			
4	•	12900-60010	1	BALL BEARING			
5	•	22150-21250	1	SEAL,OIL			
6		72320-31403	1	CAP ASSY			
7	•	22160-21351	1	GASKET CAP			
8		22165-21502	1	CRANK CASE COMP			
9	•	22120-12260	2	BOLT BAR			
10	•	12900-62010	1	BEARING			
11	•	22150-21250	1	SEAL,OIL			
12		11060-05300	3	BOLT ADHESIVE			
13		11060-05182	1	BOLT ADHESIVE			
14		11060-05450	2	BOLT ADHESIVE			
15		22180-22100	1	SWITCH ASSY			
16	•	22156-22150	1	GROMMET			
17		39035-21310	1	GASKET CASE			
18	•	22154-22130	1	NUT			
19	•	2218022140	1	PLATE			

3. HANDLE



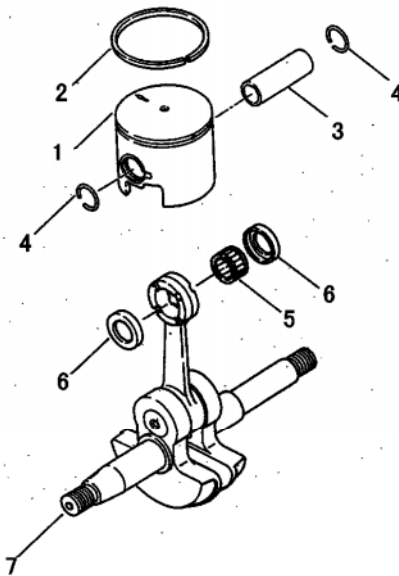
KEY	LV	PART NUMBER	Q'TY	DESCRIPTION	REMARKS	NOTE1	NOTE2
1		39006-31020	1	CYLINDER COVER			
2		69022-31310	1	GROMMET			
3		39006-31031	1	CLEANER BODY			
4	•	39006-31040	1	CLEANER COVER			
5	•	22155-82520	1	KNOB CLEANER COVER			
6		11060-04160	3	BOLT ADHESIVE			
7		22156-32111	1	FRONT HANDLE			
8		11044-04180	4	BOLT TAPPING			
9		69018-32030	1	REAR HANDLE SUB ASSY			
10	•	22154-33320	1	THROTTLE LEVER			
11	•	69018-32250	1	LOCK LEVER			
12	•	17520-11300	1	COIL SPRING			
13	•	12420-40255	2	SPRING PIN			
14		22154-33900	1	BREATHER ASSY			
15	•	22155-33950	1	ELEMENT			
16	•	22154-33940	1	PIPE			
17		22197-33802	1	CAP ASSY			
18	•	22160-21351	1	GASKET CAP			
19		22155-33930	1	JOINT			
20		22159-34110	1	FUEL PIPE			
21		22115-85401	1	FUEL FILTER			
22	•	22128-85410	1	FUEL LINE WEIGHT			
23	•	22128-85421	2	ELEMENT, STRAINER			
24	•	22128-85440	1	CLIP FILTER			
25	•	22118-85460	2	ELEMENT			
26	•	22128-85470	1	SLEEVE			

3. HANDLE



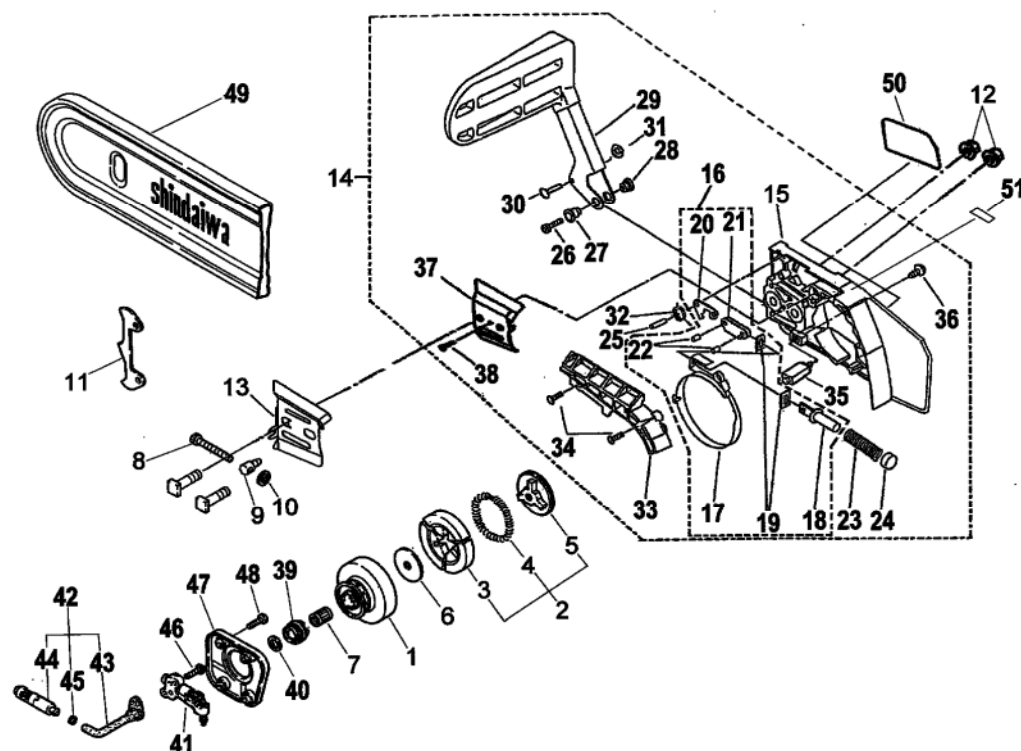
KEY	LV	PART NUMBER	Q'TY	DESCRIPTION	REMARKS	NOTE1	NOTE2
27		22128-85480	1	RING			
28		20020-85540	1	CLIP			
29		22154-33731	5	CUSHION 22			
30		22154-33740	5	PLUG 22			
31		22154-33750	1	SUPPORTER			
32		22156-33750	3	BOLT HILO			
33		22154-33761	2	STOP BOLT 22			
34		39300-34310	1	STAND			
35		19402-00083	1	LABEL CAUTION			
36		19404-00035	1	LABEL DECIBEL		110dB(A)	
37		19401-00094	1	LABEL INST			

4. PISTON



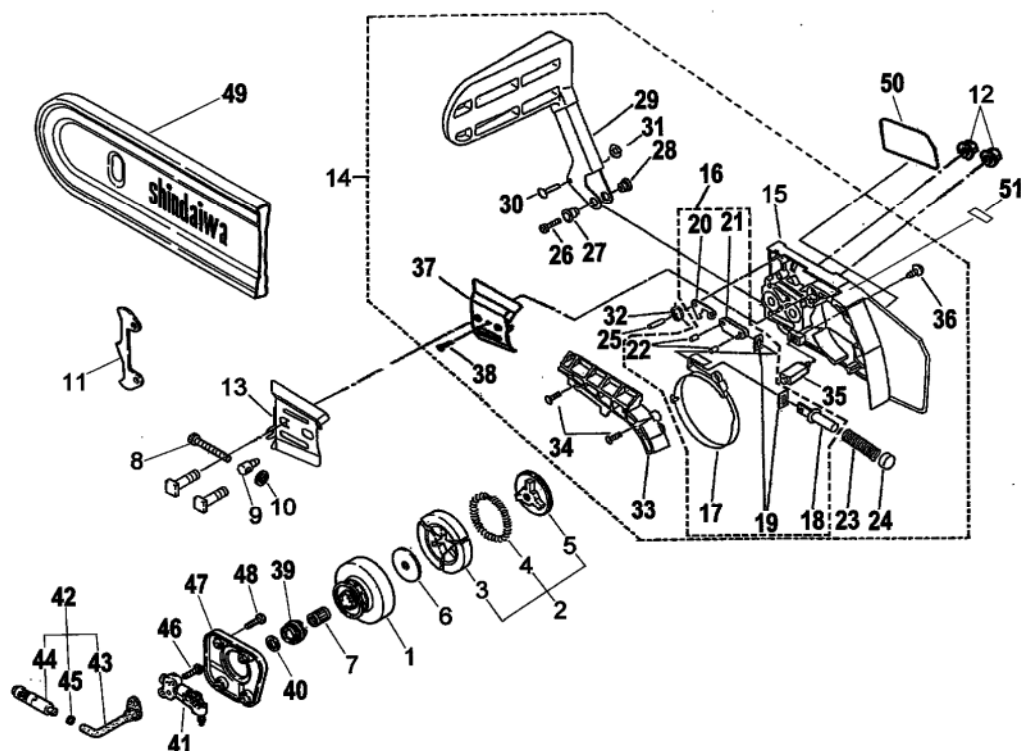
KEY	LV	PART NUMBER	Q'TY	DESCRIPTION	REMARKS	NOTE1	NOTE2
1		22154-41110	1	PISTON			
2		22100-41210	1	PISTON RING			
3		20010-41310	1	PISTON PIN			
4		22100-41230	2	SNAP RING			
5		20010-41330	1	NEEDLE BEARING			
6		22156-41340	2	THRUST WASHER			
7		22154-42000	1	CRANK SHAFT ASSY			

5. CLUTCH



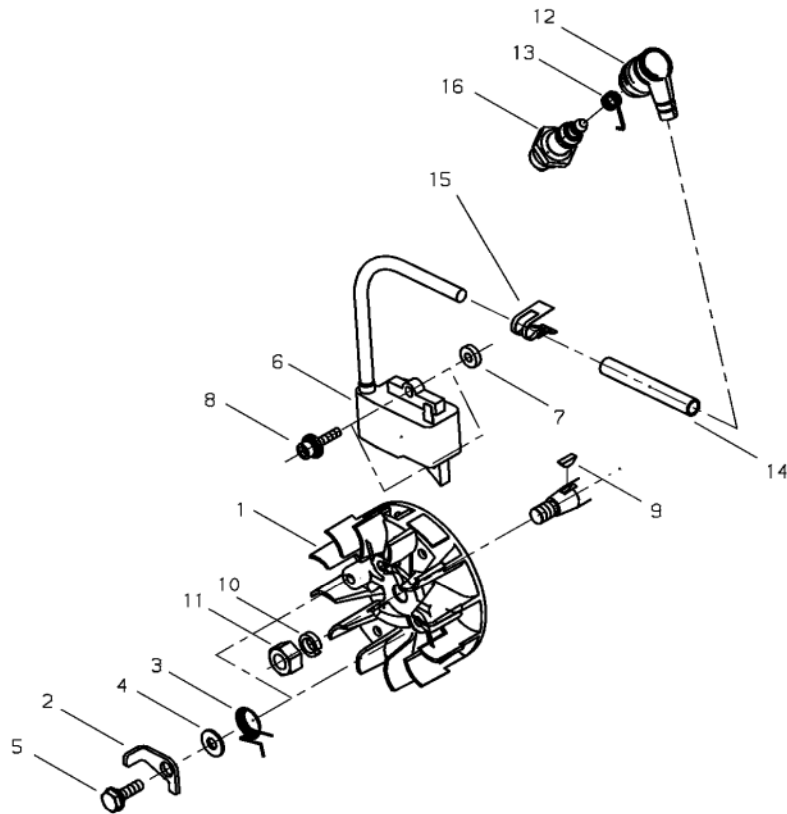
KEY	LV	PART NUMBER	Q'TY	DESCRIPTION	REMARKS	NOTE1	NOTE2
1		22163-51110	1	CLUTCH DRUM			
2		72348-51200	1	CLUTCH ASSY			
3	•	72348-51220	3	CLUTCH SHOE			
4	•	22102-51230	1	CLUTCH SPRING			
5	•	22154-51240	1	CLUTCH BOSS B			
6		22154-51250	1	CLUTCH BOSS A			
7		22102-51310	1	NEEDLE BEARING			
8		22154-52421	1	SLIDE SCREW			
9		22150-52440	1	TENSIONER,CHAIN			
10		22154-52450	1	PUSH NUT			
11		22154-52530	1	SPIKE			
12		22182-52411	2	NUT			
13		39300-52130	1	GUIDE PLATE			
14		69018-53012	1	CLUTCH COVER ASSY			
15	•	39006-53024	1	CLUTCH COVER			
16	•	39020-53320	1	BRAKE BAND COMP			
17	• •	72345-54210	1	BRAKE BAND			
18	• •	72316-54220	1	HOLDER SPRING			
19	• •	72316-54310	2	ADJUST PLATE			
20	• •	22173-54561	1	INNER LEVER			
21	• •	72316-54570	1	TIE STRAP			
22	• •	12492-40080	2	ROLLER			
23	•	72346-54230	1	BRAKE SPRING			
24	•	72316-54240	1	STOPPER			
25	•	12492-40140	1	ROLLER			
26	•	01020-04120	1	BOLT			

5. CLUTCH



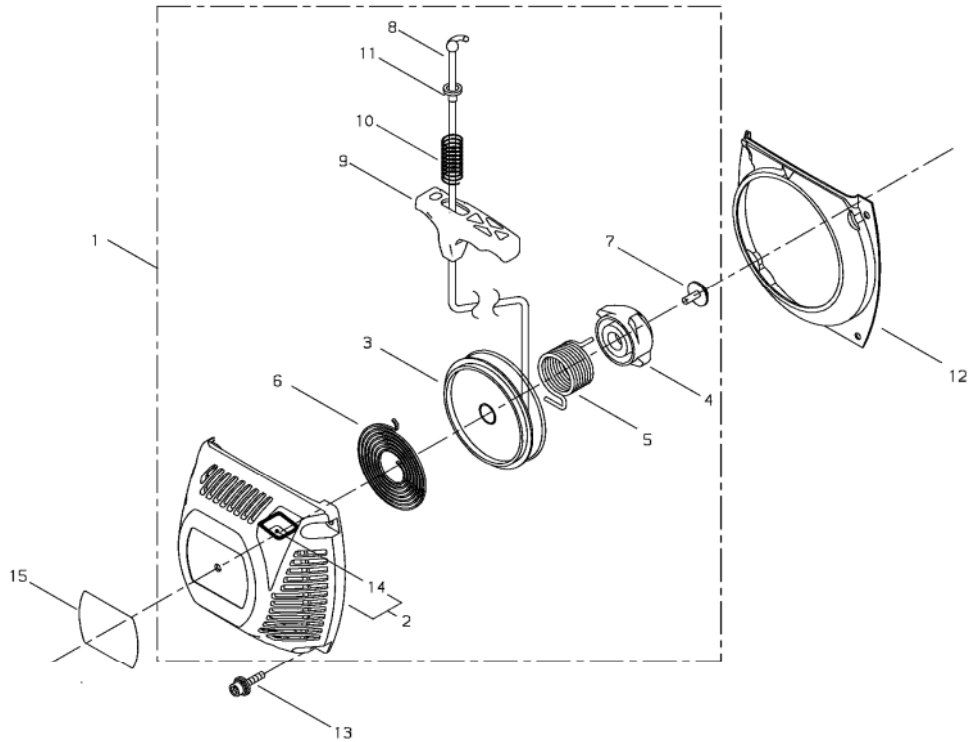
KEY	LV	PART NUMBER	Q'TY	DESCRIPTION	REMARKS	NOTE1	NOTE2
27	•	69018-53310	1	HOLDER			
28	•	39309-53320	1	NUT LEVER			
29	•	72316-54511	1	LEVER			
30	•	69018-53320	1	PIN LEVER			
31	•	23115-63160	1	NUT			
32	•	72316-54580	1	SPRING LEVER			
33	•	72327-54610	1	COVER			
34	•	01270-04122	2	SCREW TAPPING			
35	•	22154-54611	1	CHAIN CATCHER			
36	•	01275-03102	1	SCREW TRUSS T			
37	•	22159-54160	1	GUIDE PLATE B			
38	•	01270-04082	1	SCREW TAPPING			
39		22154-55110	1	GEAR			
40		22154-55120	1	THRUST PLATE			
41		22197-55201	1	OIL PUMP ASSY			
42		22154-55301	1	OIL PIPE ASSY			
43	•	22154-55310	1	OIL PIPE			
44	•	22154-55330	1	OIL FILTER			
45	•	22154-85540	1	CLIP OIL			
46		11260-04120	2	スクリュアド ヒース			
47		22154-56110	1	PUMP COVER			
48		11260-04120	4	スクリュアド ヒース			
49		19600-44100	1	CHAIN COVER			
50		69018-91321	1	LABEL TRADE			
51		19401-00093	1	LABEL INST			

6. MAGNETO



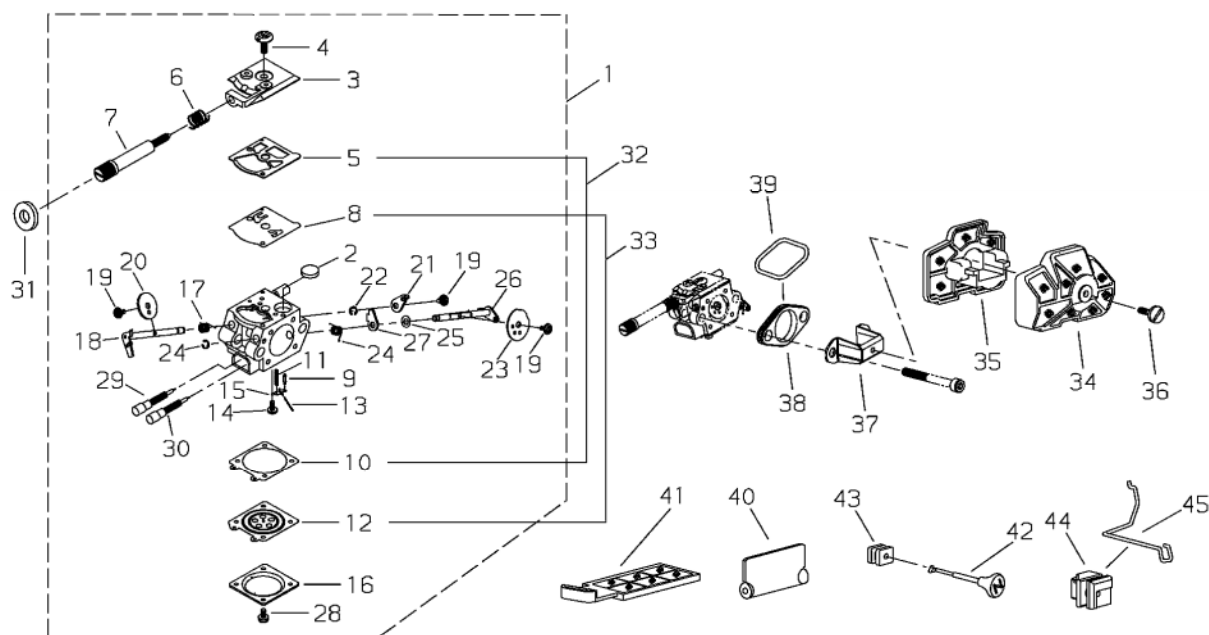
KEY	LV	PART NUMBER	Q'TY	DESCRIPTION	REMARKS	NOTE1	NOTE2
1		39300-71110	1	ROTOR			
2		22182-71412	2	PAWL			
3		22182-71421	2	SPRING RATCHET			
4		22182-71430	2	WASHER			
5		22182-71440	2	BOLT			
6		39300-71020	1	COIL ASSY			
7		22154-71811	2	INSULATOR			
8		11022-04200	2	BOLT SPW			
9		02403-03100	1	KEY	3*10		
10		01600-08201	1	SPRING WASHER			
11		22100-43231	1	NUT			
12		22160-72220	1	PLUG CAP			
13		22154-72230	1	TERMINAL, SPARKPLUG			
14		70064-72110	1	TUBE			
15		22154-72240	1	CLIP			
16		13000-13507	1	SPARK PLUG BPMR7A		BPMR7A	

7. RECOIL STARTER



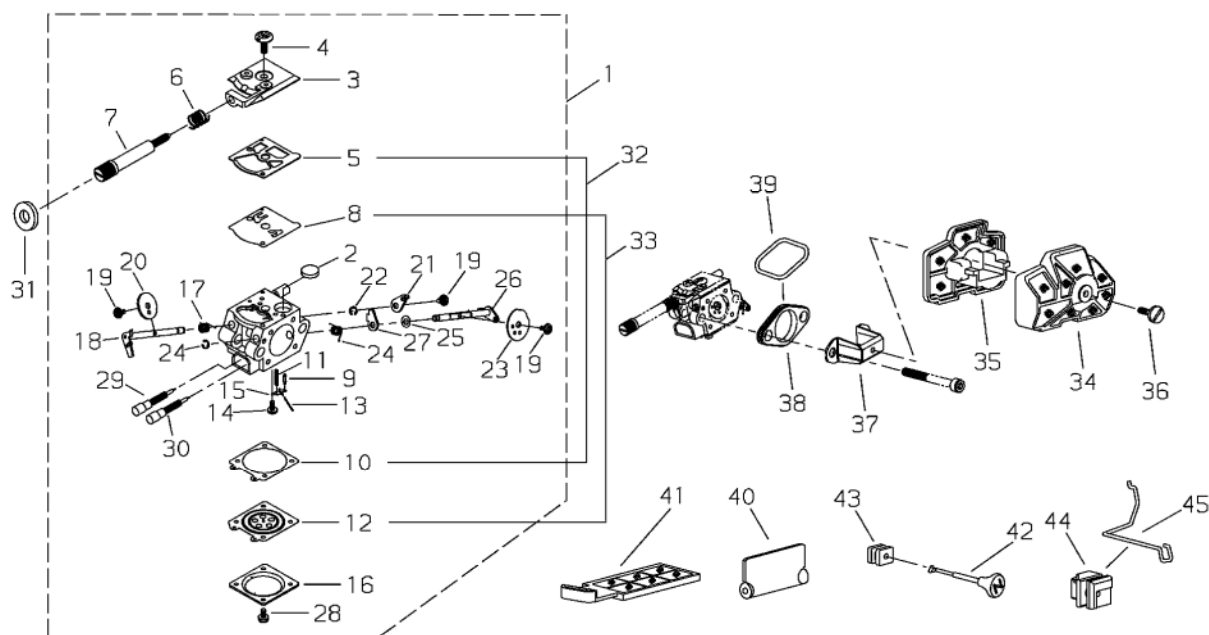
KEY	LV	PART NUMBER	Q'TY	DESCRIPTION	REMARKS	NOTE1	NOTE2
1		39300-75010	1	RECOIL STARTER ASSY			
2	•	39300-75110	1	STARTER CASE			
3	•	39300-75121	1	REEL			
4	•	39300-75311	1	CAM			
5	•	39300-75320	1	COIL SPRING			
6	•	39300-75130	1	RECOIL SPRING			
7	•	39300-75330	1	SCREW			
8	•	39300-75140	1	ROPE			
9	•	39300-75151	1	KNOB			
10	•	39300-75340	1	SPRING, COMPRESSION			
11	•	39300-75350	1	SPACER			
12		39300-75210	1	AIR PLATE			
13		11060-04200	4	BOLT ADHESIVE			
14	•	22182-75120	1	GUIDE			
15		69018-91331	1	LABEL TRADE			

8. CARBURETOR



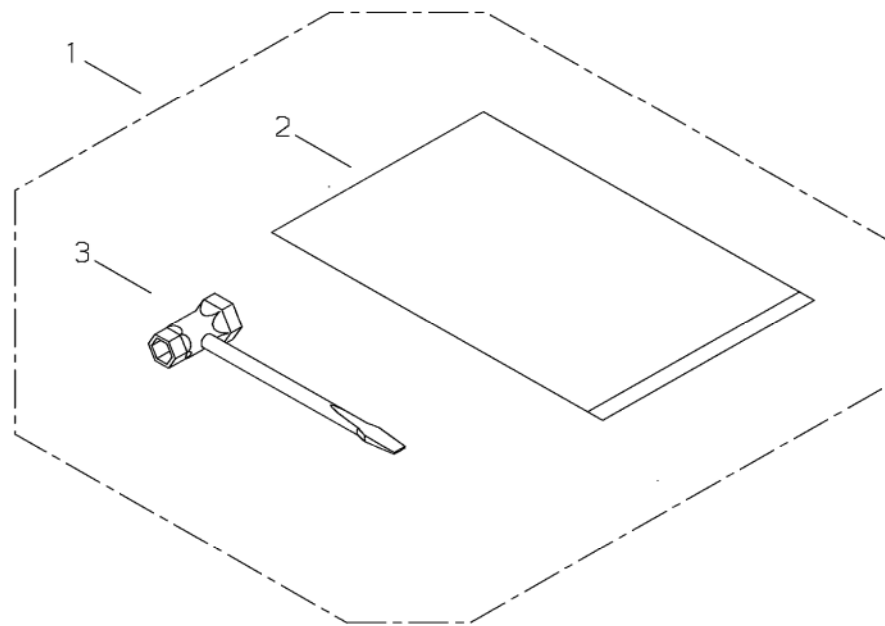
KEY	LV	PART NUMBER	Q'TY	DESCRIPTION	REMARKS	NOTE1	NOTE2
1		69022-81010	1	CARBURETOR ASSY			
2	•	70030-81380	1	SCREEN			
3	•	22156-81120	1	PUMP COVER ASSY			
4	•	22100-81130	1	SCREW			
5	•	22128-81140	1	GASKET, FUEL PUMP			
6	•	22156-81420	1	SPRING, IDLE ADJUST			
7	•	22156-81410	1	IDLE SCREW			
8	•	22128-81150	1	DIAPHRAGM PUMP			
9	•	20036-81440	1	VALVE			
10	•	39300-81320	1	GASKET			
11	•	72342-81270	1	SPRING, METER. LEVER			
12	•	22100-81260	1	DIAPHRAGM ASM			
13	•	22100-81250	1	PIN			
14	•	22100-81240	1	SCREW			
15	•	22100-81230	1	LEVER, METERING			
16	•	22100-81280	1	COVER DIAPHRAGM			
17	•	22100-81410	1	SPRING SHAFT			
18	•	69018-81310	1	SHAFT ASSY			
19	•	20803-81150	3	SCREW			
20	•	22164-81340	1	THROTTLE VALVE			
21	•	69018-81320	1	THROTTLE LEVER			
22	•	70030-81390	2	E-RING			
23	•	39007-81320	1	CHOKE VALVE			
24	•	22180-81460	1	SPRING			
25	•	20036-81185	1	WASHER			
26	•	22180-81740	1	SHAFT			

8. CARBURETOR



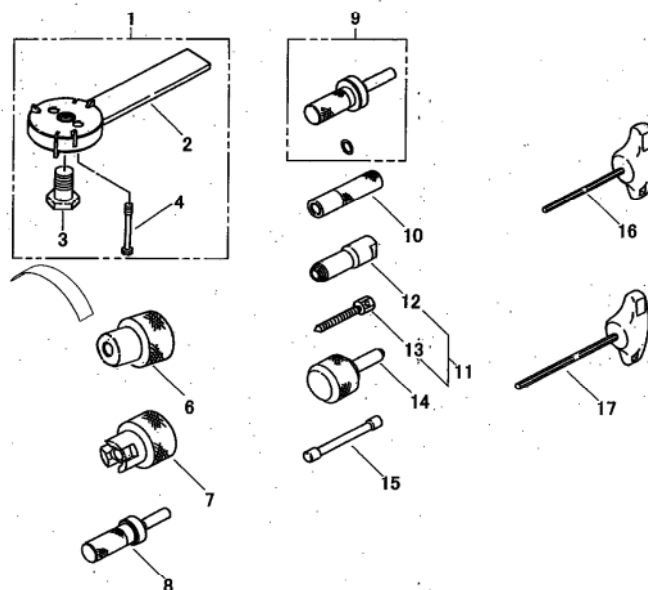
KEY	LV	PART NUMBER	Q'TY	DESCRIPTION	REMARKS	NOTE1	NOTE2
27	•	22180-81471	1	LEVER			
28	•	22100-81351	4	SCREW			
29	•	69022-81320	1	NEEDLE			
30	•	69022-81330	1	NEEDLE			
31		22156-81440	1	SEAL COLLAR			
32		39300-98320	1	GASKET SET			
33		22128-81910	1	DIAPHRAGM KIT			
34		69018-82323	1	AIR CLEANER UPPER		PA6	
35		69018-82333	1	AIR CLEANER LOWER		PA6	
36		69018-82361	1	SCREW			
37		69018-82340	1	BRACKET			
38		69018-82350	1	BRACKET			
39		02304-02242	1	O RING			
40		22154-82320	1	SHUTTER			
41		22154-82310	1	AIR CLEANER			
42		22180-82121	1	CHOKE ROD			
43		22180-82130	1	GROMMET CHOKE			
44		22154-82150	1	GROMMET ROD			
45		69018-83323	1	THROTTLE ROD			

9. TOOL



KEY	LV	PART NUMBER	Q'TY	DESCRIPTION	REMARKS	NOTE1	NOTE2
1		69022-92310	1	TOOL SET			
2	·	19639-01100	1	POLY BAG			
3	·	22000-91181	1	PLUG WRENCH			

10. OPTION TOOL



KEY	LV	PART NUMBER	Q'TY	DESCRIPTION	REMARKS	NOTE1	NOTE2
1		22154-96100	1	PULLER ASSY			
2	•	22154-96110	1	PULLER			
3	•	22100-96121	1	CENTER BOLT			
4	•	22102-96130	2	BOLT			
5		20000-96210	1	AIR GAP GAUGE			
6		22154-96220	1	SET GAUGE			
7		22154-96410	1	HOLDER			
8		22154-96420	1	ROD OIL SEAL			
9		22154-96430	1	ROD BEARING			
10		22154-96440	1	ROD OIL SEAL OUT			
11		22150-96600	1	PULLER M ASSY			
12	•	22150-96610	1	PULLER M			
13	•	22150-96620	1	BOLT			
14		22154-96460	1	PLUG BUSH			
15		22155-96240	1	PISTON STOPPER			
16		22155-96521	1	T WRENCH 4			
17		22155-96531	1	T WRENCH 5			

Index

Patrs Number	Key No.	Patrs Number	Key No.	Patrs Number	Key No.
01020-04120	5 - 26	22100-81250	8 - 13	22154-52530	5 - 11
01270-04082	5 - 38	22100-81260	8 - 12	22154-54611	5 - 35
01270-04122	5 - 34	22100-81280	8 - 16	22154-55110	5 - 39
01275-03102	5 - 36	22100-81351	8 - 28	22154-55120	5 - 40
01600-08201	6 - 10	22100-81410	8 - 17	22154-55301	5 - 42
02304-02242	8 - 39	22100-96121	10 - 3	22154-55310	5 - 43
02403-03100	6 - 9	22102-51230	5 - 4	22154-55330	5 - 44
11022-04200	6 - 8	22102-51310	5 - 7	22154-56110	5 - 47
11044-04180	3 - 8	22102-96130	10 - 4	22154-71811	6 - 7
11060-04121	1 - 7	22115-57120	2 - 2	22154-72230	6 - 13
11060-04141	1 - 8	22115-85401	3 - 21	22154-72240	6 - 15
11060-04160	3 - 6	22118-85460	3 - 25	22154-82150	8 - 44
11060-04200	7 - 13	22120-12260	2 - 9	22154-82310	8 - 41
11060-05182	2 - 13	22128-81140	8 - 5	22154-82320	8 - 40
11060-05300	2 - 12	22128-81150	8 - 8	22154-85540	5 - 45
11060-05450	2 - 14	22128-81910	8 - 33	22154-96100	10 - 1
11060-05500	1 - 9	22128-85410	3 - 22	22154-96110	10 - 2
11203-04060	1 - 13	22128-85421	3 - 23	22154-96220	10 - 6
11260-04120	5 - 46	22128-85440	3 - 24	22154-96410	10 - 7
11260-04120	5 - 48	22128-85470	3 - 26	22154-96420	10 - 8
12420-40255	3 - 13	22128-85480	3 - 27	22154-96430	10 - 9
12492-40080	2 - 3	22150-21250	2 - 5	22154-96440	10 - 10
12492-40080	5 - 22	22150-21250	2 - 11	22154-96460	10 - 14
12492-40140	5 - 25	22150-52440	5 - 9	22155-33930	3 - 19
12900-60010	2 - 4	22150-96600	10 - 11	22155-33950	3 - 15
12900-62010	2 - 10	22150-96610	10 - 12	22155-82520	3 - 5
13000-13507	6 - 16	22150-96620	10 - 13	22155-96240	10 - 15
17520-11300	3 - 12	22154-12120	1 - 2	22155-96521	10 - 16
19401-00093	5 - 51	22154-12130	1 - 3	22155-96531	10 - 17
19401-00094	3 - 37	22154-15100	1 - 10	22156-12154	1 - 4
19402-00083	3 - 35	22154-15110	1 - 11	22156-14140	1 - 5
19404-00035	3 - 36	22154-15130	1 - 12	22156-22150	2 - 16
19600-44100	5 - 49	22154-15140	1 - 14	22156-32111	3 - 7
19639-01100	9 - 2	22154-15150	1 - 15	22156-33750	3 - 32
20000-96210	10 - 5	22154-15211	1 - 17	22156-41340	4 - 6
20010-41310	4 - 3	22154-22130	2 - 18	22156-81120	8 - 3
20010-41330	4 - 5	22154-33320	3 - 10	22156-81410	8 - 7
20011-12260	1 - 19	22154-33731	3 - 29	22156-81420	8 - 6
20020-85540	3 - 28	22154-33740	3 - 30	22156-81440	8 - 31
20036-81185	8 - 25	22154-33750	3 - 31	22159-34110	3 - 20
20036-81440	8 - 9	22154-33761	3 - 33	22159-54160	5 - 37
20803-81150	8 - 19	22154-33900	3 - 14	22160-21351	2 - 7
22000-91181	9 - 3	22154-33940	3 - 16	22160-21351	3 - 18
22100-41210	4 - 2	22154-41110	4 - 1	22160-72220	6 - 12
22100-41230	4 - 4	22154-42000	4 - 7	22163-51110	5 - 1
22100-43231	6 - 11	22154-51240	5 - 5	22164-81340	8 - 20
22100-81130	8 - 4	22154-51250	5 - 6	22165-21201	2 - 1
22100-81230	8 - 15	22154-52421	5 - 8	22165-21502	2 - 8
22100-81240	8 - 14	22154-52450	5 - 10	22173-54561	5 - 20

Index

Patrs Number	Key No.	Patrs Number	Key No.	Patrs Number	Key No.
22177-12170	1 - 6	69018-81310	8 - 18		
22180-22100	2 - 15	69018-81320	8 - 21		
2218022140	2 - 19	69018-82323	8 - 34		
22180-81460	8 - 24	69018-82333	8 - 35		
22180-81471	8 - 27	69018-82340	8 - 37		
22180-81740	8 - 26	69018-82350	8 - 38		
22180-82121	8 - 42	69018-82361	8 - 36		
22180-82130	8 - 43	69018-83323	8 - 45		
22182-52411	5 - 12	69018-91321	5 - 50		
22182-71412	6 - 2	69018-91331	7 - 15		
22182-71421	6 - 3	69022-31310	3 - 2		
22182-71430	6 - 4	69022-81010	8 - 1		
22182-71440	6 - 5	69022-81320	8 - 29		
22182-75120	7 - 14	69022-81330	8 - 30		
22197-33802	3 - 17	69022-92310	9 - 1		
22197-55201	5 - 41	70030-81380	8 - 2		
23115-63160	5 - 31	70030-81390	8 - 22		
39006-31020	3 - 1	70064-72110	6 - 14		
39006-31031	3 - 3	72303-15180	1 - 16		
39006-31040	3 - 4	72303-15410	1 - 18		
39006-53024	5 - 15	72316-54220	5 - 18		
39007-81320	8 - 23	72316-54240	5 - 24		
39020-53320	5 - 16	72316-54310	5 - 19		
39035-21310	2 - 17	72316-54511	5 - 29		
39300-12110	1 - 1	72316-54570	5 - 21		
39300-34310	3 - 34	72316-54580	5 - 32		
39300-52130	5 - 13	72320-31403	2 - 6		
39300-71020	6 - 6	72327-54610	5 - 33		
39300-71110	6 - 1	72342-81270	8 - 11		
39300-75010	7 - 1	72345-54210	5 - 17		
39300-75110	7 - 2	72346-54230	5 - 23		
39300-75121	7 - 3	72348-51200	5 - 2		
39300-75130	7 - 6	72348-51220	5 - 3		
39300-75140	7 - 8				
39300-75151	7 - 9				
39300-75210	7 - 12				
39300-75311	7 - 4				
39300-75320	7 - 5				
39300-75330	7 - 7				
39300-75340	7 - 10				
39300-75350	7 - 11				
39300-81320	8 - 10				
39300-98320	8 - 32				
39309-53320	5 - 28				
69018-32030	3 - 9				
69018-32250	3 - 11				
69018-53012	5 - 14				
69018-53310	5 - 27				
69018-53320	5 - 30				

YAMABIKO CORPORATION

7-2 SUEHIROCHO 1-CHOME, OHME, TOKYO 198-8760, JAPAN
PHONE: 81-428-32-6118. FAX: 81-428-32-6145.

shindaiwa[®]

EC1
No.