

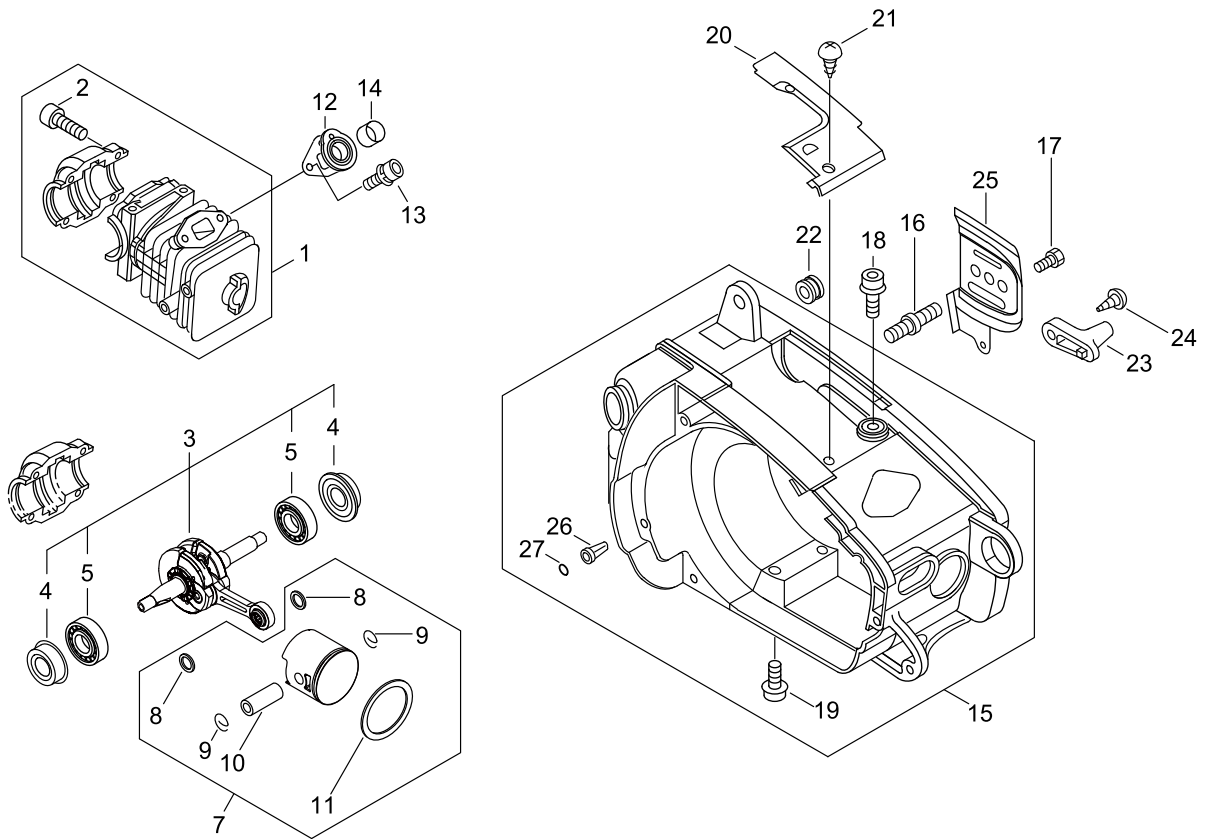
280TS

Published:11/23/2016

TABLE OF CONTENTS

| | |
|------------------------------------|----|
| CYLINDER, CRANKCASE, PISTON | 1 |
| MUFFLER | 3 |
| AIR CLEANER | 5 |
| MAGNETO..... | 7 |
| RECOIL STARTER..... | 9 |
| AUTO-OILER, FUEL PIPE | 11 |
| HANDLE..... | 13 |
| CLUTCH, SPROCKET, CHAIN BRAKE..... | 15 |
| ACCESSORIES | 17 |
| CARBURETOR..... | 19 |
| GUIDE BAR, CHAIN..... | 21 |

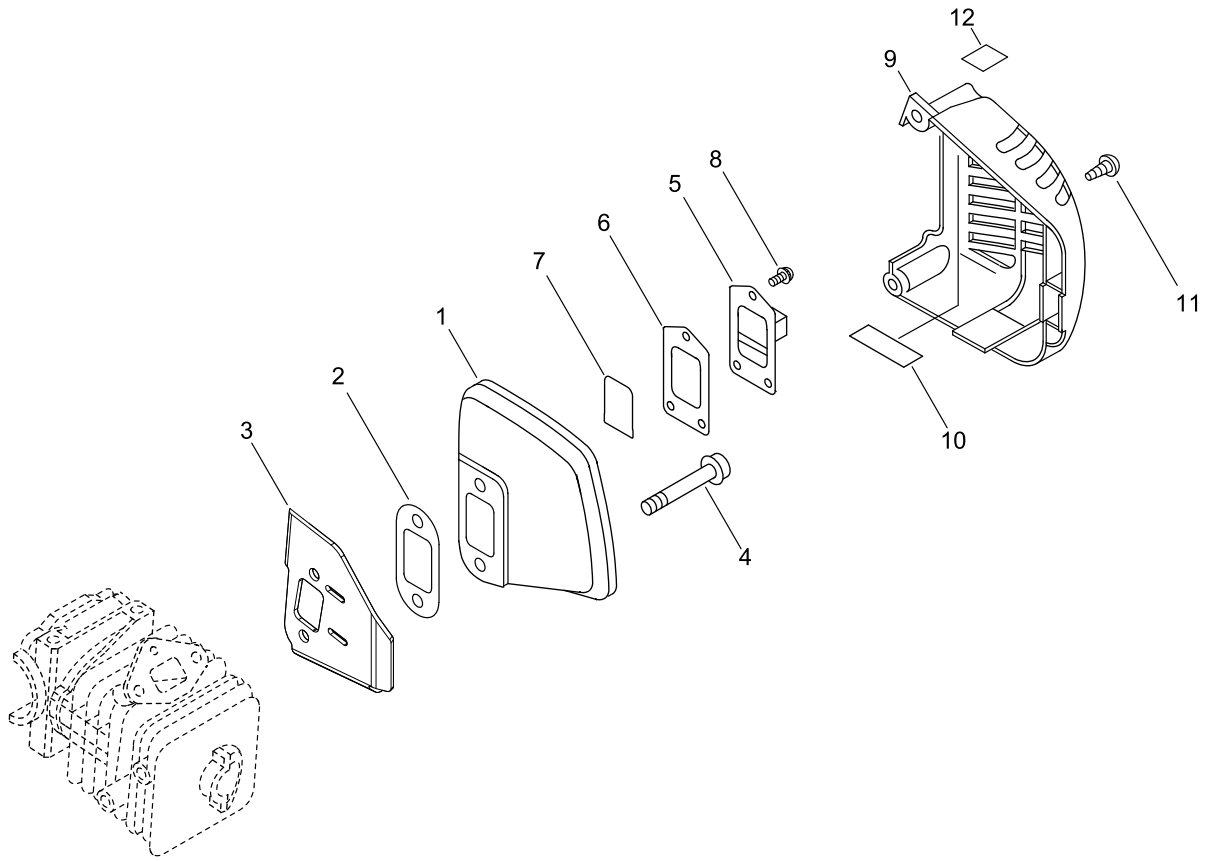
CYLINDER, CRANKCASE, PISTON



CYLINDER, CRANKCASE, PISTON

| KEY NO | LV(+) | Part No | Description | Qty | Standard |
|--------|-------|--------------|-------------------------|-----|-----------|
| 1 | | P021-044050 | CYLINDER KIT | 1 | CS-271T |
| 2 | + | 900162-05022 | BOLT, H.S. 5*22 | 4 | 5*22 W,SW |
| 3 | | P021-038072 | CRANKSHAFT ASY | 1 | |
| 4 | + | V505-000001 | SEAL,OIL | 2 | 12*28*6.5 |
| 5 | + | 900800-36001 | BEARING, BALL 6001 | 2 | 6001/C3 |
| 7 | | P021-044060 | PISTON KIT | 1 | CS-271T |
| 8 | + | 100014-11520 | SPACER, PISTON PIN | 2 | |
| 9 | + | 100015-04630 | CIRCLIP, PISTON PIN | 2 | |
| 10 | + | 100013-22330 | PIN, PISTON | 1 | |
| 11 | + | A101-000630 | RING, PISTON | 1 | |
| 12 | | A202-000001 | BELLOWS,INTAKE | 1 | |
| 13 | | 900162-04012 | BOLT, H.S. 4*12 | 2 | 4*12 W,SW |
| 14 | | V358-000021 | COLLAR,14 | 1 | |
| 15 | | P021-003418 | COVER ENGINE | 1 | |
| 19 | + | 900106-05025 | BOLT, H.S. 5*25 | 2 | 5*25 |
| 26 | + | 436114-13930 | VALVE, CHECK | 1 | |
| 27 | + | 900724-00004 | O-RING (S-4) | 1 | S-4 |
| 16 | | V225-000031 | BOLT,STUD 8 | 1 | M8 |
| 17 | | V202-000011 | BOLT,4 | 2 | 4*12 |
| 18 | | 900106-05016 | BOLT, H.S. 5*16 | 2 | 5*16 |
| 20 | | A127-000041 | COVER,DUST | 1 | |
| 21 | | 900253-04012 | SCREW | 2 | 4*12 |
| 22 | | 163911-30130 | PLUG | 1 | |
| 23 | | 433026-35430 | CATCHER, CHAIN | 1 | |
| 24 | | 900253-05020 | SCREW 5*20 | 1 | 5*20 |
| 25 | | C305-000023 | PLATE,SPROCKET GUARD | 1 | |

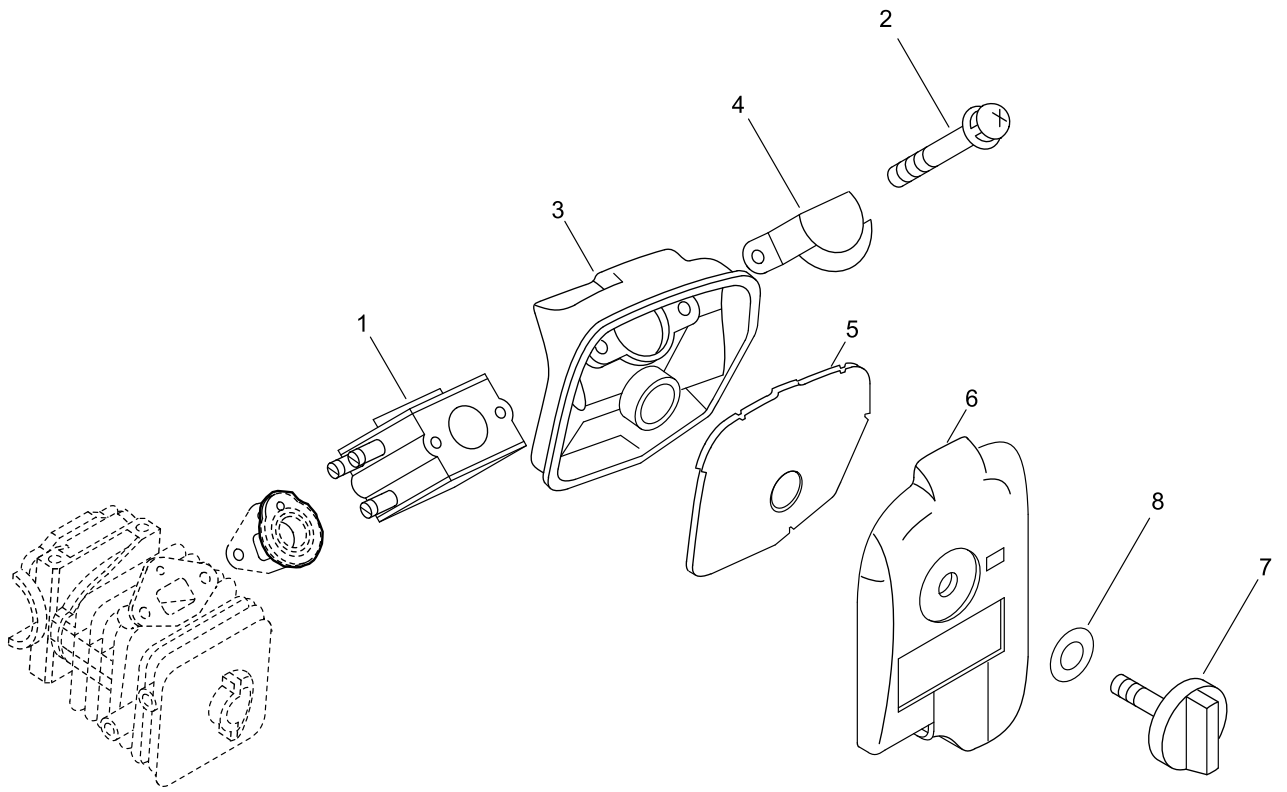
MUFFLER



MUFFLER

| KEY NO | LV(+) | Part No | Description | Qty | Standard |
|--------|-------|--------------|------------------|-----|-------------|
| 1 | | A300-001641 | MUFFLER, EXHAUST | 1 | |
| 2 | | V104-001860 | GASKET,EXHAUST | 1 | |
| 3 | | A312-000060 | PLATE, EXHUST | 1 | |
| 4 | | 91107-05045 | BOLT HSH FLANGE | 2 | M5*45 |
| 5 | | A313-001970 | GUIDE, EXHAUST | 1 | T0.6 |
| 6 | | V104-001850 | GASKET,EXHAUST | 1 | |
| 7 | | A310-000420 | SCREEN, ARRESTOR | 1 | |
| 8 | | 900242-04008 | SCREW | 3 | 4*8 |
| 9 | | A320-001070 | COVER,MUFFLER | 1 | |
| 10 | | V341-000180 | WASHER,SQUARE | 1 | 54*14 T0.15 |
| 11 | | 900253-04016 | SCREW 4*16 | 2 | 4*16 |
| 12 | | X505-007710 | LABEL,CAUTION | 1 | |

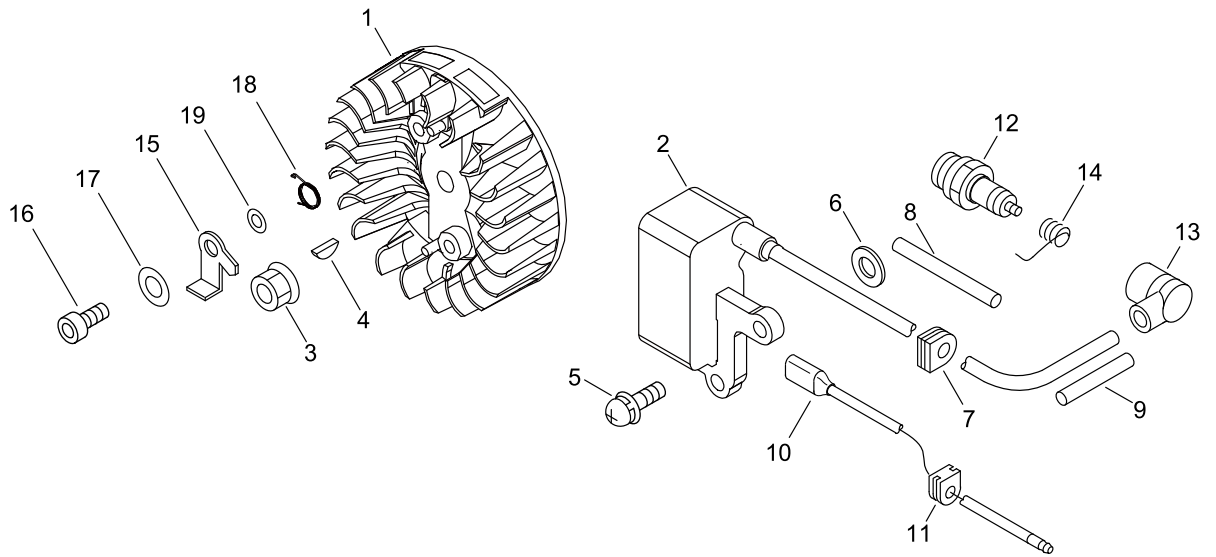
AIR CLEANER



AIR CLEANER

| KEY NO | LV(+) | Part No | Description | Qty | Standard |
|--------|-------|--------------|--------------------------|-----|----------|
| 1 | | A021-004200 | CARBURETOR, DIAPHRAGM | 1 | WT1091 |
| 2 | | 900238-05050 | SCREW 5*50 | 2 | 5*50 |
| 3 | | A225-000025 | CASE,CLEANER | 1 | |
| 4 | | A244-000000 | PLATE,PREVENT | 1 | |
| 5 | | A226-000051 | ELEMENT,AIR FILTER | 1 | |
| 6 | | A232-000241 | LID,CLEANER | 1 | |
| 7 | | A235-000090 | KNOB,CLEANER LID | 1 | |
| 8 | | 131925-02310 | WASHER,CIRCULAR 8 | 1 | |

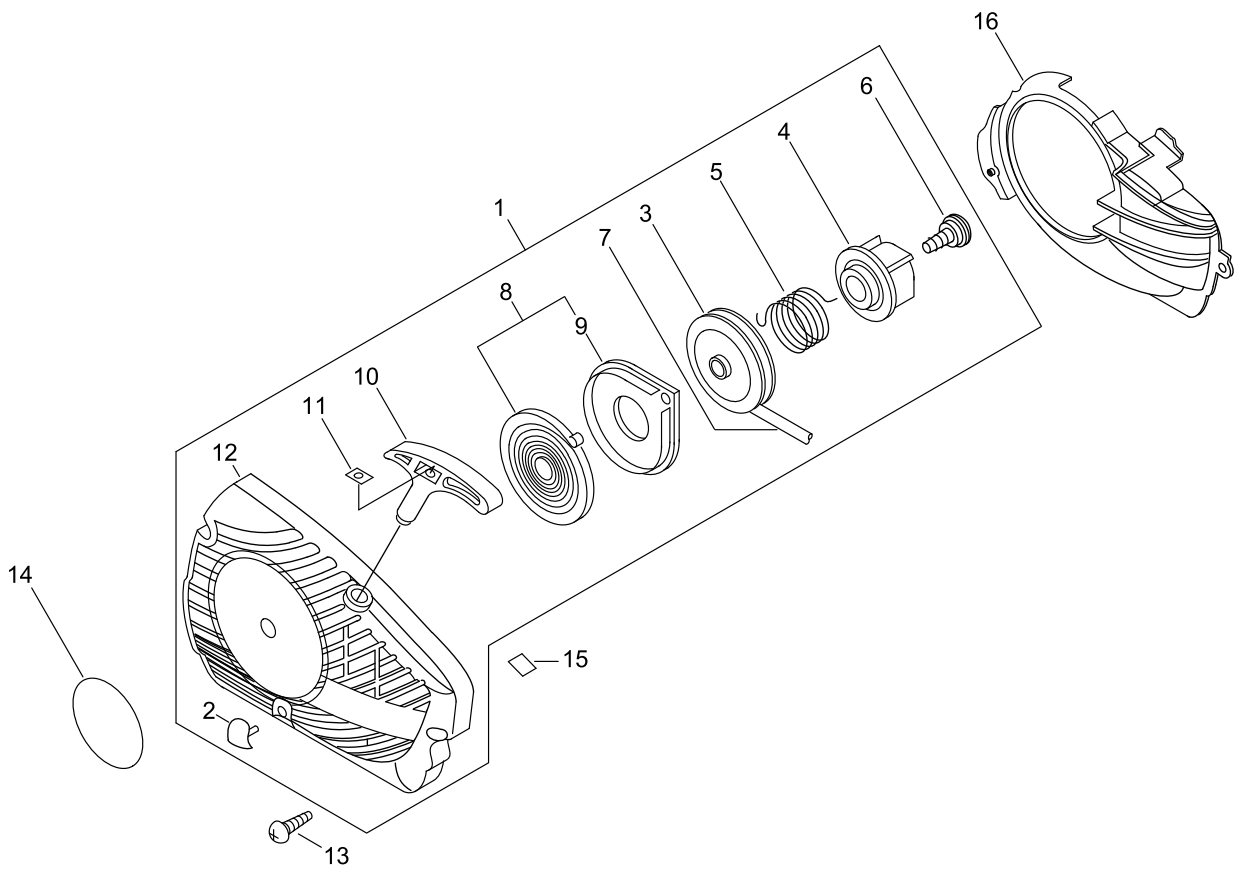
MAGNETO



MAGNETO

| KEY NO | LV(+) | Part No | Description | Qty | Standard |
|--------|-------|--------------|--------------------|-----|--------------------|
| 1 | | A409-001130 | ROTOR, MAGNETO | 1 | |
| 2 | | A411-001510 | COIL, IGNITION | 1 | |
| 3 | | 900515-00008 | NUT, FLANGE 8 | 1 | 8 |
| 4 | | 100142-12330 | KEY, WOODRUFF | 1 | |
| 5 | | 900238-05018 | SCREW 5*18 | 2 | 5*18 |
| 6 | | 150117-16430 | SPACER | 2 | |
| 7 | | 156110-04920 | BUSHING | 1 | |
| 8 | | V475-001900 | TUBE | 1 | 7*8.6*30 |
| 9 | | V475-003550 | TUBE | 1 | HST-10 7*8.6*50 |
| 10 | | V485-000140 | LEAD | 1 | |
| 11 | | 156114-07320 | GROMMET | 1 | |
| 12 | | A425-000000 | SPARKPLUG | 1 | BPMR8Y |
| 13 | | A427-000013 | CAP,SPARK PLUG | 1 | |
| 14 | | A426-000010 | TERMINAL,SPARKPLUG | 1 | |
| 15 | | A514-000020 | PAWL | 2 | |
| 16 | | V203-000080 | BOLT,5 | 2 | 5*14 |
| 17 | | 900603-00005 | WASHER 5 | 2 | 5.5*12*0.8 |
| 18 | | V452-000030 | SPRING,TORSION | 2 | |
| 19 | | 177247-04630 | SPACER, RATCHET | 2 | 5.2*8*2.1 |

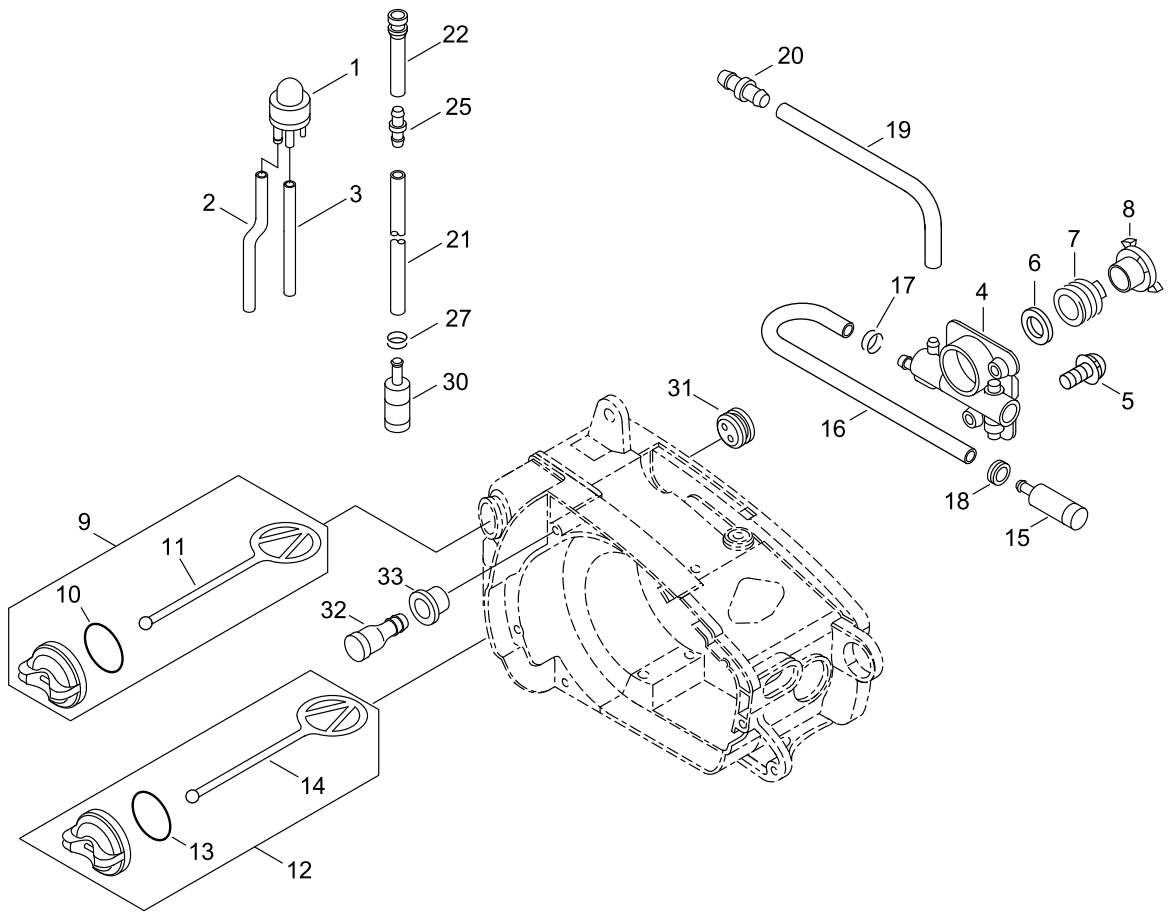
RECOIL STARTER



RECOIL STARTER

| KEY NO | LV(+) | Part No | Description | Qty | Standard |
|--------|-------|--------------|--------------------|-----|--------------------|
| 1 | | A051-002560 | STARTER,RECOIL | 1 | |
| 2 | + | V162-000180 | PLUG | 1 | |
| 3 | + | A506-000460 | REEL,ROPE | 1 | |
| 4 | + | A507-000110 | CATCHER,PAWL | 1 | |
| 5 | + | V452-001320 | SPRING,TORSION | 1 | |
| 6 | + | 177236-61830 | SCREW | 1 | |
| 7 | + | P022-006220 | ROPE | 1 | |
| 8 | + | P022-001330 | SPRING KIT, REWIND | 1 | |
| 9 | ++ | P022-033280 | SPRING CASE | 1 | |
| 10 | + | P022-001320 | GRIP, STARTER | 1 | |
| 11 | + | 177246-11120 | CLIP, STARTER ROPE | 1 | |
| 12 | + | P022-037540 | STARTER,RECOIL | 1 | |
| 13 | | 900256-04016 | SCREW 4*16 | 3 | 4*16 |
| 14 | | X503-012610 | LABEL,MODEL | 1 | 280TS SHINDAIWA |
| 15 | | X505-006921 | LABEL,CAUTION | 1 | 13000R/MIN |
| 16 | | A172-002040 | COVER,FAN | 1 | |

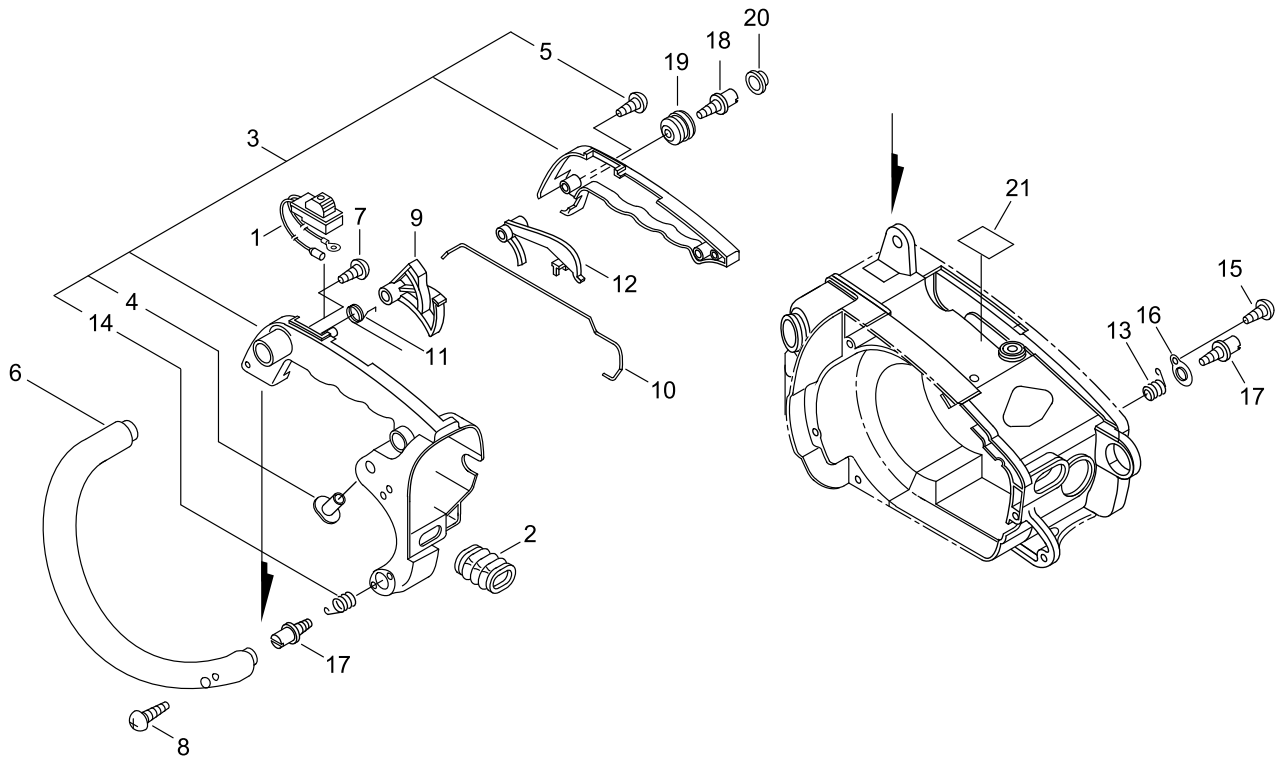
AUTO-OILER, FUEL PIPE



AUTO-OILER, FUEL PIPE

| KEY NO | LV(+) | Part No | Description | Qty | Standard |
|--------|-------|--------------|---------------------|-----|---------------|
| 1 | | 123181-39130 | PUMP, PRIMER | 1 | |
| 2 | | V471-001251 | PIPE | 1 | 2.4*5*258 |
| 3 | | V471-001261 | PIPE | 1 | 2.4*5*153 |
| 4 | | C022-000020 | AUTO-OILER ASSEMBLY | 1 | |
| 5 | | 900238-04012 | SCREW 4*12 | 2 | 4*12 |
| 6 | | V308-000030 | WASHER,CIRCULAR 11 | 1 | 10.5*17.4*1.8 |
| 7 | | V652-000030 | GEAR,WORM | 1 | |
| 8 | | V356-000290 | COLLAR,10 | 1 | |
| 9 | | P021-005601 | CAP ASY | 1 | |
| 10 | + | 900720-00018 | O-RING 18 | 1 | P-18 |
| 11 | + | A365-000050 | CONNECTOR,CAP | 1 | |
| 12 | | P021-005581 | OIL CAP ASY | 1 | |
| 13 | + | 900720-00018 | O-RING 18 | 1 | P-18 |
| 14 | + | A365-000050 | CONNECTOR,CAP | 1 | |
| 15 | | 436205-02832 | STRAINER, OIL | 1 | |
| 16 | | 132010-22130 | PIPE, FUEL | 1 | 3*6*150L NBR |
| 17 | | V490-001230 | CLIP | 1 | 6.5MM |
| 18 | | 132115-01461 | GROMMET | 1 | |
| 19 | | 132012-11960 | PIPE 3* 6* 45 | 1 | 3*6*45 NBR |
| 20 | | V187-000010 | NIPPLE | 1 | |
| 21 | | V471-001230 | PIPE | 1 | 3*5*210 NBR |
| 22 | | V470-000321 | PIPE | 1 | 10*6*L32 |
| 25 | | V186-000510 | JOINT,PIPE | 1 | |
| 27 | | V490-001240 | CLIP | 1 | 6MM |
| 30 | | 131205-14931 | STRAINER,FUEL | 1 | |
| 31 | | 132115-44330 | GROMMET | 1 | |
| 32 | | 131300-56431 | VENT ASSEMBLY, FUEL | 1 | |
| 33 | | V137-000000 | GROMMET,FUEL | 1 | |

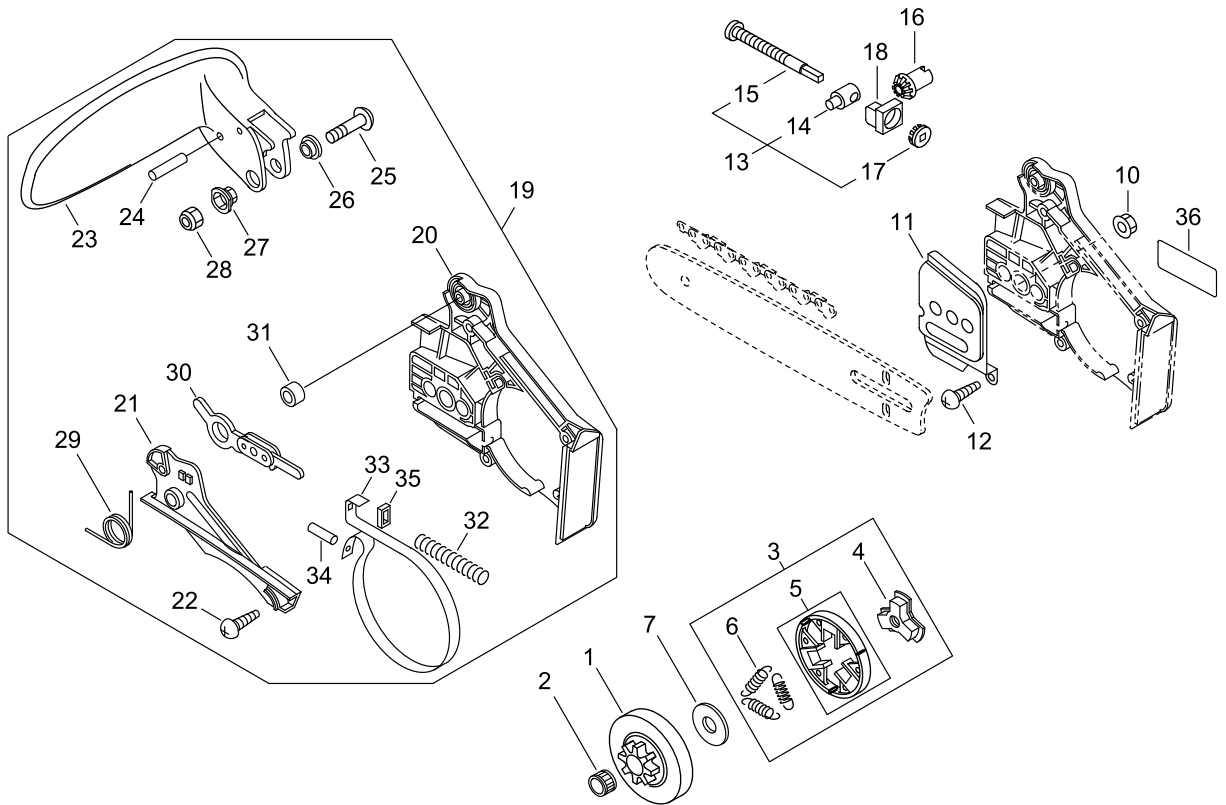
HANDLE



HANDLE

| KEY NO | LV(+) | Part No | Description | Qty | Standard |
|--------|-------|--------------|--------------------|-----|----------|
| 1 | | A440-000371 | SWITCH,ON OFF | 1 | |
| 2 | | A239-000000 | PIPE,INTAKE | 1 | |
| 3 | | P021-007355 | HANDLE SET, REAR | 1 | |
| 4 | + | 130020-33330 | NUT | 2 | |
| 5 | + | 900256-04016 | SCREW 4*16 | 4 | 4*16 |
| 14 | + | V450-000340 | SPRING,COMPRESSION | 1 | ES |
| 6 | | C400-000050 | HANDLE,FRONT | 1 | |
| 7 | | 900253-05020 | SCREW 5*20 | 1 | 5*20 |
| 8 | | 900256-04016 | SCREW 4*16 | 2 | 4*16 |
| 9 | | C450-000160 | TRIGGER,THROTTLE | 1 | |
| 10 | | C454-000051 | ROD,THROTTLE | 1 | |
| 11 | | V452-000010 | SPRING,TORSION | 1 | |
| 12 | | C460-000041 | LOCKOUT,THROTTLE | 1 | |
| 13 | | V450-000080 | SPRING,COMPRESSION | 1 | |
| 15 | | 900253-04012 | SCREW | 1 | 4*12 |
| 16 | | V150-003810 | PLATE,EYE | 1 | |
| 17 | | V202-000000 | BOLT,4 | 2 | |
| 18 | | V202-000020 | BOLT,4 | 1 | |
| 19 | | 100921-39131 | CUSHION | 1 | |
| 20 | | 100918-15130 | CAP | 1 | |
| 21 | | X505-002441 | LABEL,CAUTION | 1 | |

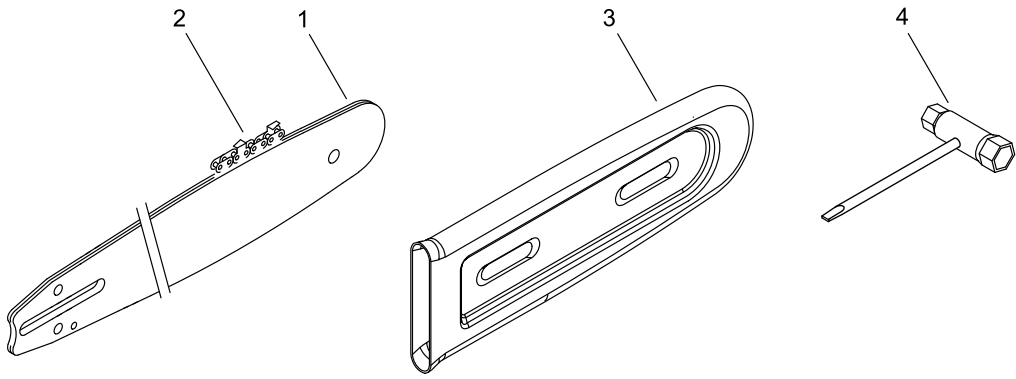
CLUTCH, SPROCKET, CHAIN BRAKE



CLUTCH, SPROCKET, CHAIN BRAKE

| KEY NO | LV(+) | Part No | Description | Qty | Standard |
|--------|-------|--------------|-------------------------|-----|---------------------|
| 1 | | A556-000091 | DRUM,CLUTCH | 1 | 3/8A |
| 2 | | V555-000170 | BEARING,NEEDLE 10 | 1 | 8E- KV10*13*12.8 |
| 3 | | A056-000030 | CLUTCH | 1 | |
| 4 | + | A552-000020 | HUB,CLUTCH | 1 | |
| 5 | + | P021-001950 | CLUTCH SHOE SET | 1 | |
| 6 | + | V451-000150 | SPRING,TENSION | 3 | |
| 7 | | A551-000010 | PLATE,CLUTCH | 1 | |
| 10 | | V265-000200 | NUT | 1 | M-8 |
| 11 | | C305-000031 | PLATE,SPROCKET GUARD | 1 | |
| 12 | | 900253-04012 | SCREW | 1 | 4*12 |
| 13 | | P021-000063 | TENSIONER,CHAIN ASY | 1 | |
| 14 | + | C309-000030 | TENSIONER,CHAIN | 1 | |
| 15 | + | V203-000021 | BOLT,5 | 1 | |
| 17 | + | V651-000011 | GEAR,BEVEL | 1 | |
| 16 | | V651-000001 | GEAR,BEVEL | 1 | |
| 18 | | V355-000800 | COLLAR,8 | 1 | |
| 19 | | P021-038491 | BRAKE,ASM CHAIN | 1 | |
| 20 | + | C300-000232 | GUARD,SPROCKET | 1 | |
| 21 | + | C345-000094 | COVER,BRAKE | 1 | |
| 22 | + | 900253-04012 | SCREW | 2 | 4*12 |
| 23 | + | C320-000034 | LEVER,BRAKE | 1 | |
| 24 | + | 900330-30260 | ROLLER 3*26 | 2 | 3*26 |
| 25 | + | 91318-05032 | SCREW | 1 | 5*32 |
| 26 | + | 433167-39130 | SPACER | 1 | |
| 27 | + | V353-000060 | COLLAR,5 | 1 | |
| 28 | + | 900562-50005 | LOCKNUT 5 | 1 | 5 |
| 29 | + | V452-000110 | SPRING,TORSION | 1 | |
| 30 | + | C334-000060 | CONNECTOR,BRAKE | 1 | |
| 31 | + | 433116-35430 | SPACER 8 | 1 | 8*12*9 |
| 32 | + | V450-000070 | SPRING,COMPRESSION | 1 | |
| 33 | + | C328-000020 | BAND,BRAKE | 1 | |
| 34 | + | 93050-30098 | ROLLER | 1 | F3*9.8 |
| 35 | + | V376-000450 | SPACER | 1 | |
| 36 | | X504-007920 | LABEL,BRAND | 1 | 280TS SHINDAIWA |

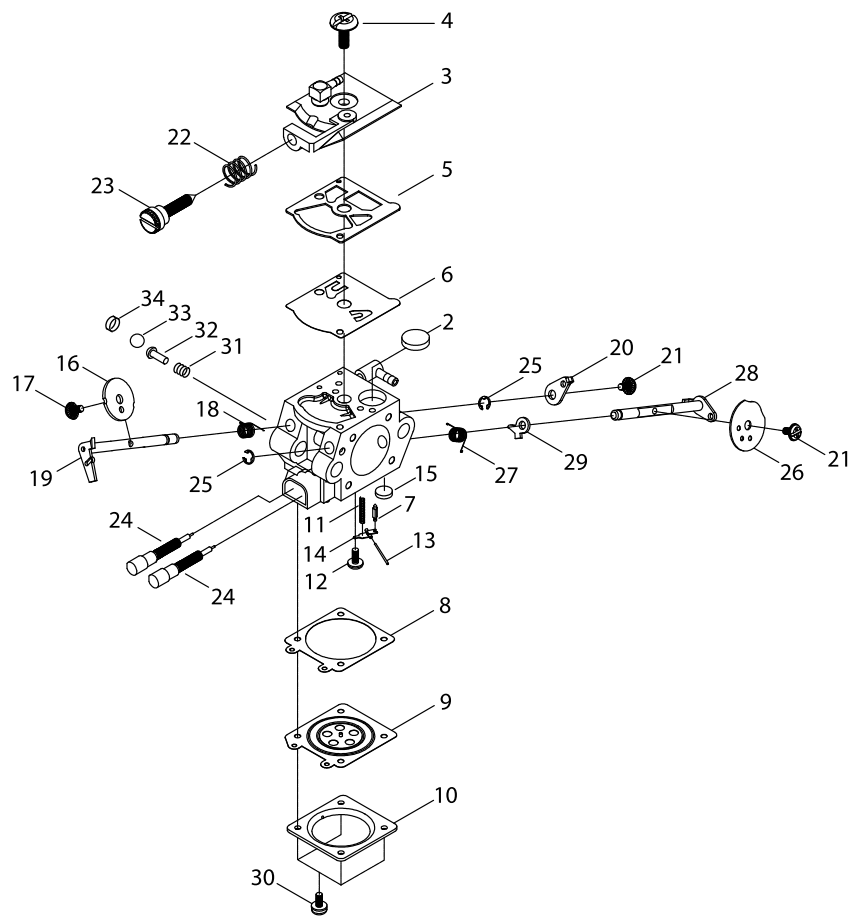
ACCESSORIES



ACCESSORIES

| KEY NO | LV(+) | Part No | Description | Qty | Standard |
|--------|-------|-------------|----------------|-----|----------------|
| 1 | | X121-000081 | BAR,GUIDE 25 | 1 | C25S91-40SL-ST |
| 2 | | X221-000100 | CHAIN,SAW | 1 | 91PX-40E |
| 3 | | X490-000540 | SCABBARD,CHAIN | 1 | |
| 4 | | X602-000080 | TOOL,WRENCH | 1 | 13*19 L180 |


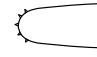
CARBURETOR



CARBURETOR

| KEY NO | LV(+) | Part No | Description | Qty | Standard |
|--------|-------|--------------|--------------------------|-----|----------|
| | | A021-004200 | CARBURETOR, DIAPHRAGM | 1 | WT1091 |
| 2 | + | P003-005040 | SCREEN,INLET | 1 | |
| 3 | + | 123124-24430 | COVER, FUEL PUMP | 1 | |
| 4 | + | 123110-03930 | SCREW, PUMP COVER | 1 | |
| 5 | + | 123125-15030 | GASKET, FUEL PUMP | 1 | |
| 6 | + | 123112-15030 | DIAPHRAGM, FUEL PUMP | 1 | |
| 7 | + | 123137-19830 | VALVE, INLET NEEDLE | 1 | |
| 8 | + | 123140-03930 | GASKET, M. DIAPHRAGM | 1 | |
| 9 | + | P003-001850 | DIAPHRAGM, METERING | 1 | |
| 10 | + | 123142-03930 | COVER, M. DIAPHRAGM | 1 | |
| 11 | + | 123122-03660 | SPRING, METER. LEVER | 1 | |
| 12 | + | 123139-03930 | SCREW, M. LEVER PIN | 1 | |
| 13 | + | 123138-03930 | PIN, METERING LEVER | 1 | |
| 14 | + | 123123-03930 | LEVER, METERING | 1 | |
| 15 | + | 123146-10631 | PLUG, WELCH | 1 | |
| 16 | + | 123116-05960 | VALVE, THROTTLE | 1 | |
| 17 | + | P003-002380 | SCREW | 1 | |
| 18 | + | 123113-37530 | SPRING, THROTTLE RTN | 1 | |
| 19 | + | P003-005350 | SHAFT ASSY, THROTTLE | 1 | |
| 20 | + | P003-000380 | THROTTLE, LEVER | 1 | |
| 21 | + | 123114-38830 | SCREW | 2 | |
| 22 | + | 123133-04260 | SPRING, IDLE ADJUST | 1 | |
| 23 | + | 123134-04260 | SCREW, IDLE ADJUST | 1 | |
| 24 | + | P003-004190 | NEEDLE | 2 | |
| 25 | + | 123127-15030 | RING | 2 | |
| 26 | + | P003-000410 | VALVE CHOKE | 1 | |
| 27 | + | P003-004780 | SPRING | 1 | |
| 28 | + | P003-005360 | SHAFT-CHOKE | 1 | |
| 29 | + | P003-001510 | LEVER-FAST IDLE | 1 | |
| 30 | + | 123130-02960 | SCREW | 4 | |
| 31 | + | 123186-09660 | SPRING, START VALVE | 1 | |
| 32 | + | 123185-09660 | PISTON ASSY | 1 | |
| 33 | + | 123136-09660 | BALL | 1 | |
| 34 | + | P003-005090 | PLUG CUP | 1 | |

GUIDE BAR, CHAIN

| Pitch ピッチ | Gauge ゲージ | Length 長さ | Guide Bar ガイドバー | | Saw Chain ソーチェン | | Hard Nose ハード ノーズ  | Sprocket Nose スプロケット ノーズ  |
|--------------|---------------|--------------|--------------------|----------------|--------------------|------------|---|--|
| | | | Key № | Type 形式 | Key № | Type 形式 | | |
| 3/8 9.53 | 0.050 1.27 | 25 | A1 | C25S91-40SL-ST | A2 | 91PX-40E | | ● |
| 3/8 9.53 | 0.050 1.27 | 30 | B1 | C30S91-47ML-ST | B2 | 91PX-47E | | ● |
| 1/4 6.35 | 0.050 1.27 | 25 | C1 | C25H25-60CL-ST | C2 | 25AP-60E | ● | |
| 1/4 6.35 | 0.050 1.27 | 25 | D1 | C25L25-60CA-SD | D2 | 25AP-60E | ● | |

GUIDE BAR, CHAIN

| KEY NO | LV(+) | Part No | Description | Qty | Standard |
|--------|-------|--------------|--------------|-----|----------------|
| A1 | | X121-000081 | BAR,GUIDE 25 | 1 | C25S91-40SL-ST |
| A2 | | X221-000100 | CHAIN,SAW | 1 | 91PX-40E |
| B1 | | X122-000172 | BAR,GUIDE 30 | 1 | C30S91-47ML-ST |
| B2 | | X222-000140 | CHAIN,SAW | 1 | 91PX-47E |
| C1 | | X101-000091 | BAR,GUIDE 25 | 1 | C25H25-60CL-ST |
| C2 | | 431610-10030 | CHAIN, SAW | 1 | 25AP-60E |
| D1 | | X101-000181 | BAR,GUIDE 25 | 1 | C25L25-60CA-SD |
| D2 | | 431610-10030 | CHAIN, SAW | 1 | 25AP-60E |

NUMERICAL PARTS INDEX

| Part No | Part description | Page | Part No | Part description | Page | Part No | Part description | Page |
|--------------|----------------------|------|--------------|--------------------------|------|-------------|-------------------------|------|
| 100013-22330 | PIN, PISTON | 2 | 433026-35430 | CATCHER, CHAIN | 2 | A244-000000 | PLATE,PREVENT | 6 |
| 100014-11520 | SPACER, PISTON PIN | 2 | 433116-35430 | SPACER 8 | 16 | A300-001641 | MUFFLER, EXHAUST | 4 |
| 100015-04630 | CIRCLIP, PISTON PIN | 2 | 433167-39130 | SPACER | 16 | A310-000420 | SCREEN, ARRESTOR | 4 |
| 100142-12330 | KEY, WOODRUFF | 8 | 436114-13930 | VALVE, CHECK | 2 | A312-000060 | PLATE, EXHUST | 4 |
| 100918-15130 | CAP | 14 | 436205-02832 | STRAINER, OIL | 12 | A313-001970 | GUIDE, EXHAUST | 4 |
| 100921-39131 | CUSHION | 14 | 900106-05016 | BOLT, H.S. 5*16 | 2 | A320-001070 | COVER,MUFFLER | 4 |
| 123110-03930 | SCREW, PUMP COVER | 20 | 900106-05025 | BOLT, H.S. 5*25 | 2 | A365-000050 | CONNECTOR,CAP | 12 |
| 123112-15030 | DIAPHRAGM, FUEL PUMP | 20 | 900162-04012 | BOLT, H.S. 4*12 | 2 | A409-001130 | ROTOR, MAGNETO | 8 |
| 123113-37530 | SPRING, THROTTLE RTN | 20 | 900162-05022 | BOLT, H.S. 5*22 | 2 | A411-001510 | COIL, IGNITION | 8 |
| 123114-38830 | SCREW | 20 | 900238-04012 | SCREW 4*12 | 12 | A425-000000 | SPARKPLUG | 8 |
| 123116-05960 | VALVE, THROTTLE | 20 | 900238-05018 | SCREW 5*18 | 8 | A426-000010 | TERMINAL,SPARKPLUG | 8 |
| 123122-03660 | SPRING, METER. LEVER | 20 | 900238-05050 | SCREW 5*50 | 6 | A427-000013 | CAP,SPARK PLUG | 8 |
| 123123-03930 | LEVER, METERING | 20 | 900242-04008 | SCREW | 4 | A440-000371 | SWITCH,ON OFF | 14 |
| 123124-24430 | COVER, FUEL PUMP | 20 | 900253-04012 | SCREW | 2 | A506-000460 | REEL,ROPE | 10 |
| 123125-15030 | GASKET, FUEL PUMP | 20 | 900253-04012 | SCREW | 14 | A507-000110 | CATCHER,PAWL | 10 |
| 123127-15030 | RING | 20 | 900253-04012 | SCREW | 16 | A514-000020 | PAWL | 8 |
| 123130-02960 | SCREW | 20 | 900253-04016 | SCREW 4*16 | 4 | A551-000010 | PLATE,CLUTCH | 16 |
| 123133-04260 | SPRING, IDLE ADJUST | 20 | 900253-05020 | SCREW 5*20 | 2 | A552-000020 | HUB,CLUTCH | 16 |
| 123134-04260 | SCREW, IDLE ADJUST | 20 | 900253-05020 | SCREW 5*20 | 14 | A556-000091 | DRUM,CLUTCH | 16 |
| 123136-09660 | BALL | 20 | 900256-04016 | SCREW 4*16 | 10 | C022-000020 | AUTO-OILER ASSEMBLY | 12 |
| 123137-19830 | VALVE, INLET NEEDLE | 20 | 900256-04016 | SCREW 4*16 | 14 | C300-000232 | GUARD,SPROCKET | 16 |
| 123138-03930 | PIN, METERING LEVER | 20 | 900330-30260 | ROLLER 3*26 | 16 | C305-000023 | PLATE,SPROCKET GUARD | 2 |
| 123139-03930 | SCREW, M. LEVER PIN | 20 | 900515-00008 | NUT, FLANGE 8 | 8 | C305-000031 | PLATE,SPROCKET GUARD | 16 |
| 123140-03930 | GASKET, M. DIAPHRAGM | 20 | 900562-50005 | LOCKNUT 5 | 16 | C309-000030 | TENSIONER,CHAIN | 16 |
| 123142-03930 | COVER, M. DIAPHRAGM | 20 | 900603-00005 | WASHER 5 | 8 | C320-000034 | LEVER,BRAKE | 16 |
| 123146-10631 | PLUG, WELCH | 20 | 900720-00018 | O-RING 18 | 12 | C328-000020 | BAND,BRAKE | 16 |
| 123181-39130 | PUMP, PRIMER | 12 | 900724-00004 | O-RING (S-4) | 2 | C334-000060 | CONNECTOR,BRAKE | 16 |
| 123185-09660 | PISTON ASSY | 20 | 900800-36001 | BEARING, BALL 6001 | 2 | C345-000094 | COVER,BRAKE | 16 |
| 123186-09660 | SPRING, START VALVE | 20 | 91107-05045 | BOLT HSH FLANGE | 4 | C400-000050 | HANDLE,FRONT | 14 |
| 130020-33330 | NUT | 14 | 91318-05032 | SCREW | 16 | C450-000160 | TRIGGER,THROTTLE | 14 |
| 131205-14931 | STRAINER,FUEL | 12 | 93050-30098 | ROLLER | 16 | C454-000051 | ROD,THROTTLE | 14 |
| 131300-56431 | VENT ASSEMBLY, FUEL | 12 | A021-004200 | CARBURETOR, DIAPHRAGM | 6 | C460-000041 | LOCKOUT,THROTTLE | 14 |
| 131925-02310 | WASHER,CIRCULAR 8 | 6 | A021-004200 | CARBURETOR, DIAPHRAGM | 20 | P003-000380 | THROTTLE, LEVER | 20 |
| 132010-22130 | PIPE, FUEL | 12 | A051-002560 | STARTER,RECOIL | 10 | P003-000410 | VALVE CHOKE | 20 |
| 132012-11960 | PIPE 3* 6* 45 | 12 | A056-000030 | CLUTCH | 16 | P003-001510 | LEVER-FAST IDLE | 20 |
| 132115-01461 | GROMMET | 12 | A101-000630 | RING, PISTON | 2 | P003-001850 | DIAPHRAGM, METERING | 20 |
| 132115-44330 | GROMMET | 12 | A127-000041 | COVER,DUST | 2 | P003-002380 | SCREW | 20 |
| 150117-16430 | SPACER | 8 | A172-002040 | COVER,FAN | 10 | P003-004190 | NEEDLE | 20 |
| 156110-04920 | BUSHING | 8 | A202-000001 | BELLOWS,INTAKE | 2 | P003-004780 | SPRING | 20 |
| 156114-07320 | GROMMET | 8 | A225-000025 | CASE,CLEANER | 6 | P003-005040 | SCREEN,INLET | 20 |
| 163911-30130 | PLUG | 2 | A226-000051 | ELEMENT,AIR FILTER | 6 | P003-005090 | PLUG CUP | 20 |
| 177236-61830 | SCREW | 10 | A232-000241 | LID,CLEANER | 6 | P003-005350 | SHAFT ASSY, THROTTLE | 20 |
| 177246-11120 | CLIP, STARTER ROPE | 10 | A235-000090 | KNOB,CLEANER LID | 6 | P003-005360 | SHAFT-CHOKE | 20 |
| 177247-04630 | SPACER, RATCHET | 8 | A239-000000 | PIPE,INTAKE | 14 | P021-000063 | TENSIONER,CHAIN ASY | 16 |
| 431610-10030 | CHAIN, SAW | 22 | | | | | | |

NUMERICAL PARTS INDEX

| Part No | Part description | Page | Part No | Part description | Page |
|-------------|--------------------|------|-------------|-------------------|------|
| P021-001950 | CLUTCH SHOE SET | 16 | V471-001251 | PIPE | 12 |
| P021-003418 | COVER ENGINE | 2 | V471-001261 | PIPE | 12 |
| P021-005581 | OIL CAP ASY | 12 | V475-001900 | TUBE | 8 |
| P021-005601 | CAP ASY | 12 | V475-003550 | TUBE | 8 |
| P021-007355 | HANDLE SET, REAR | 14 | V485-000140 | LEAD | 8 |
| P021-038072 | CRANKSHAFT ASY | 2 | V490-001230 | CLIP | 12 |
| P021-038491 | BRAKE,ASM CHAIN | 16 | V490-001240 | CLIP | 12 |
| P021-044050 | CYLINDER KIT | 2 | V505-000001 | SEAL,OIL | 2 |
| P021-044060 | PISTON KIT | 2 | V555-000170 | BEARING,NEEDLE 10 | 16 |
| P022-001320 | GRIP, STARTER | 10 | V651-000001 | GEAR,BEVEL | 16 |
| P022-001330 | SPRING KIT, REWIND | 10 | V651-000011 | GEAR,BEVEL | 16 |
| P022-006220 | ROPE | 10 | V652-000030 | GEAR,WORM | 12 |
| P022-033280 | SPRING CASE | 10 | X101-000091 | BAR,GUIDE 25 | 22 |
| P022-037540 | STARTER,RECOIL | 10 | X101-000181 | BAR,GUIDE 25 | 22 |
| V104-001850 | GASKET,EXHAUST | 4 | X121-000081 | BAR,GUIDE 25 | 18 |
| V104-001860 | GASKET,EXHAUST | 4 | X121-000081 | BAR,GUIDE 25 | 22 |
| V137-000000 | GROMMET,FUEL | 12 | X122-000172 | BAR,GUIDE 30 | 22 |
| V150-003810 | PLATE,EYE | 14 | X221-000100 | CHAIN,SAW | 18 |
| V162-000180 | PLUG | 10 | X221-000100 | CHAIN,SAW | 22 |
| V186-000510 | JOINT,PIPE | 12 | X222-000140 | CHAIN,SAW | 22 |
| V187-000010 | NIPPLE | 12 | X490-000540 | SCABBARD,CHAIN | 18 |
| V202-000000 | BOLT,4 | 14 | X503-012610 | LABEL,MODEL | 10 |
| V202-000011 | BOLT,4 | 2 | X504-007920 | LABEL,BRAND | 16 |
| V202-000020 | BOLT,4 | 14 | X505-002441 | LABEL,CAUTION | 14 |
| V203-000021 | BOLT,5 | 16 | X505-006921 | LABEL,CAUTION | 10 |
| V203-000080 | BOLT,5 | 8 | X505-007710 | LABEL,CAUTION | 4 |
| V225-000031 | BOLT,STUD 8 | 2 | X602-000080 | TOOL,WRENCH | 18 |
| V265-000200 | NUT | 16 | | | |
| V308-000030 | WASHER,CIRCULAR 11 | 12 | | | |
| V341-000180 | WASHER,SQUARE | 4 | | | |
| V353-000060 | COLLAR,5 | 16 | | | |
| V355-000800 | COLLAR,8 | 16 | | | |
| V356-000290 | COLLAR,10 | 12 | | | |
| V358-000021 | COLLAR,14 | 2 | | | |
| V376-000450 | SPACER | 16 | | | |
| V450-000070 | SPRING,COMPRESSION | 16 | | | |
| V450-000080 | SPRING,COMPRESSION | 14 | | | |
| V450-000340 | SPRING,COMPRESSION | 14 | | | |
| V451-000150 | SPRING,TENSION | 16 | | | |
| V452-000010 | SPRING,TORSION | 14 | | | |
| V452-000030 | SPRING,TORSION | 8 | | | |
| V452-000110 | SPRING,TORSION | 16 | | | |
| V452-001320 | SPRING,TORSION | 10 | | | |
| V470-000321 | PIPE | 12 | | | |
| V471-001230 | PIPE | 12 | | | |