

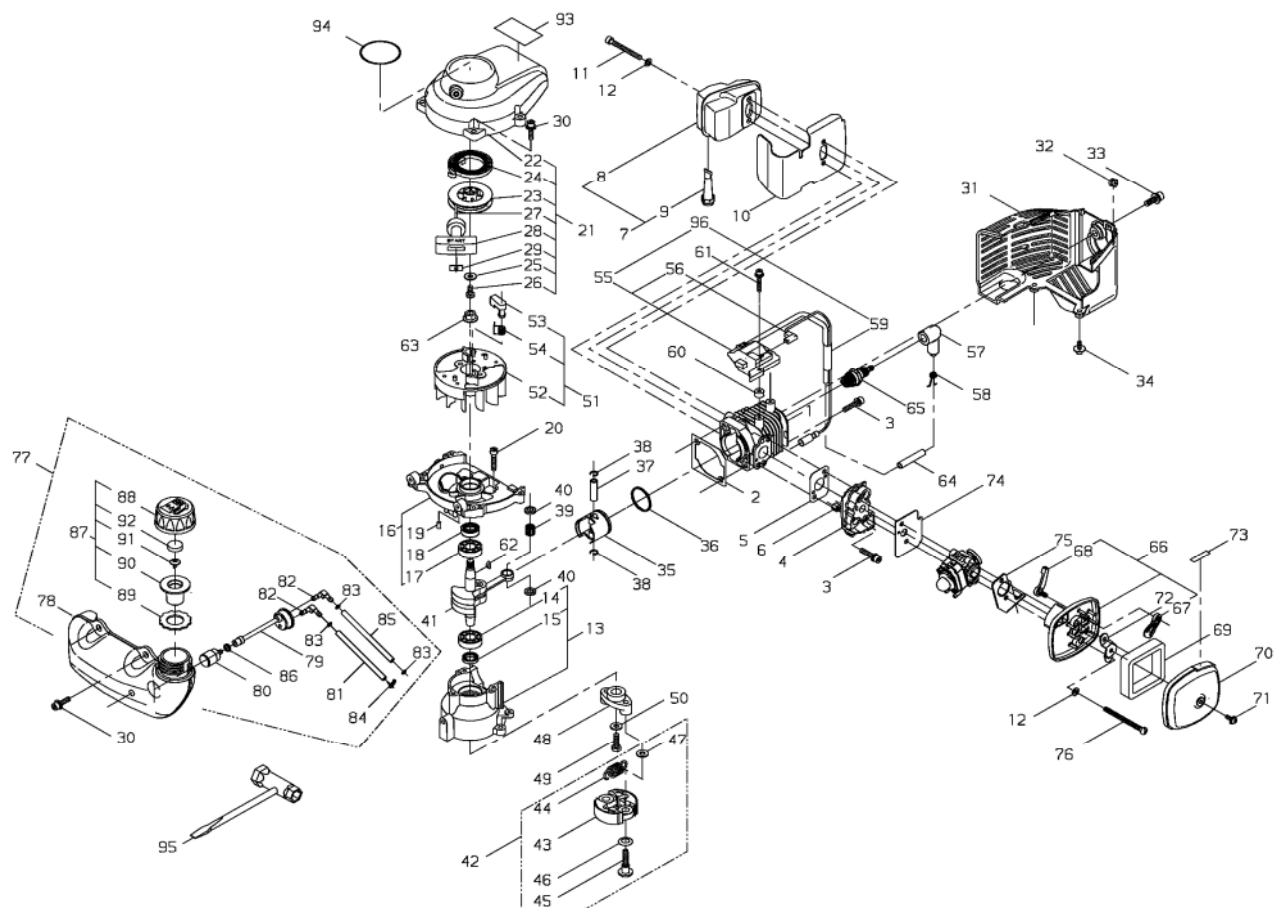
**shindaiwa<sup>®</sup>**

# **PARTS CATALOGUE**

## **HEDGE TRIMMER 22DH EPA2**

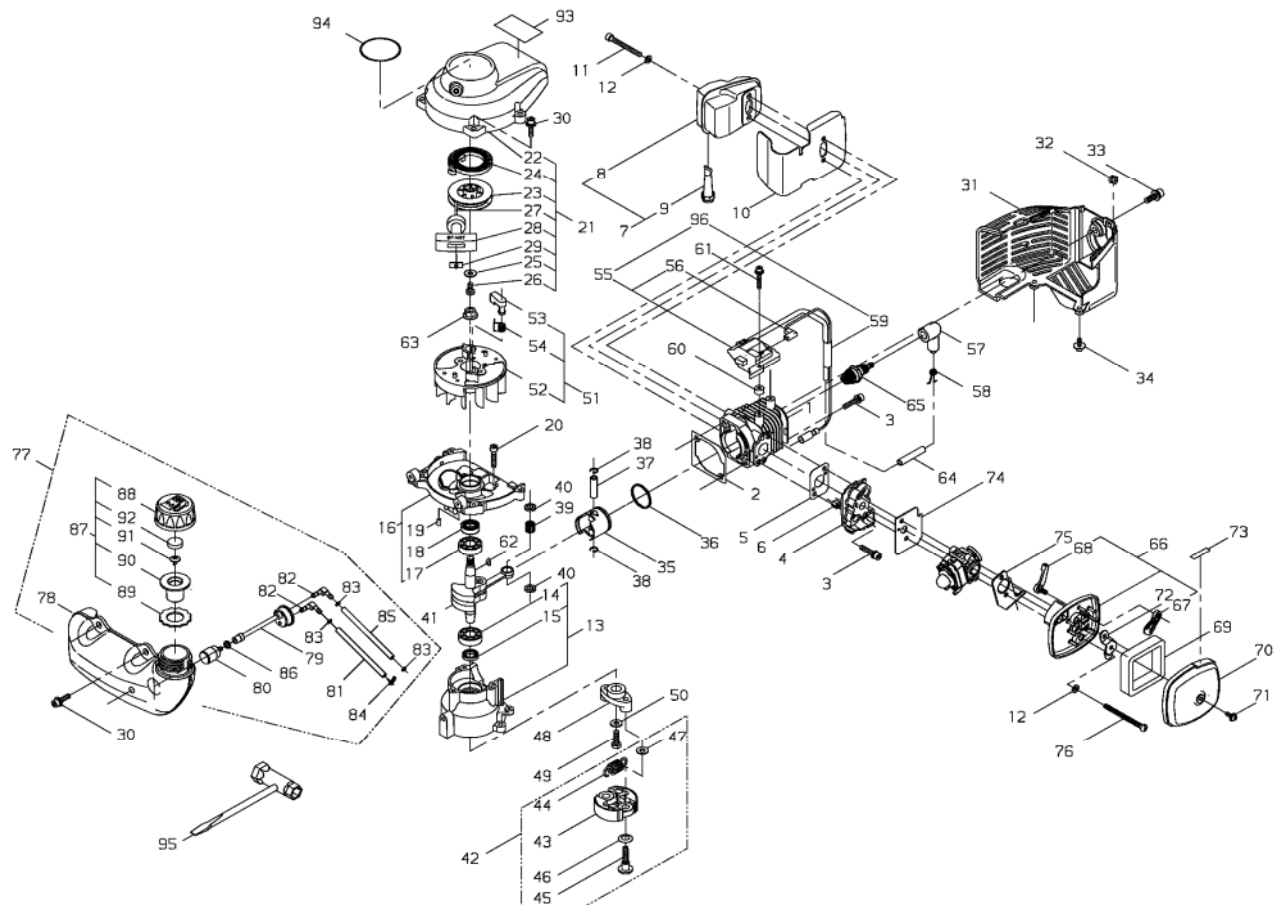
22DH EPA2

## 1. ENGINE



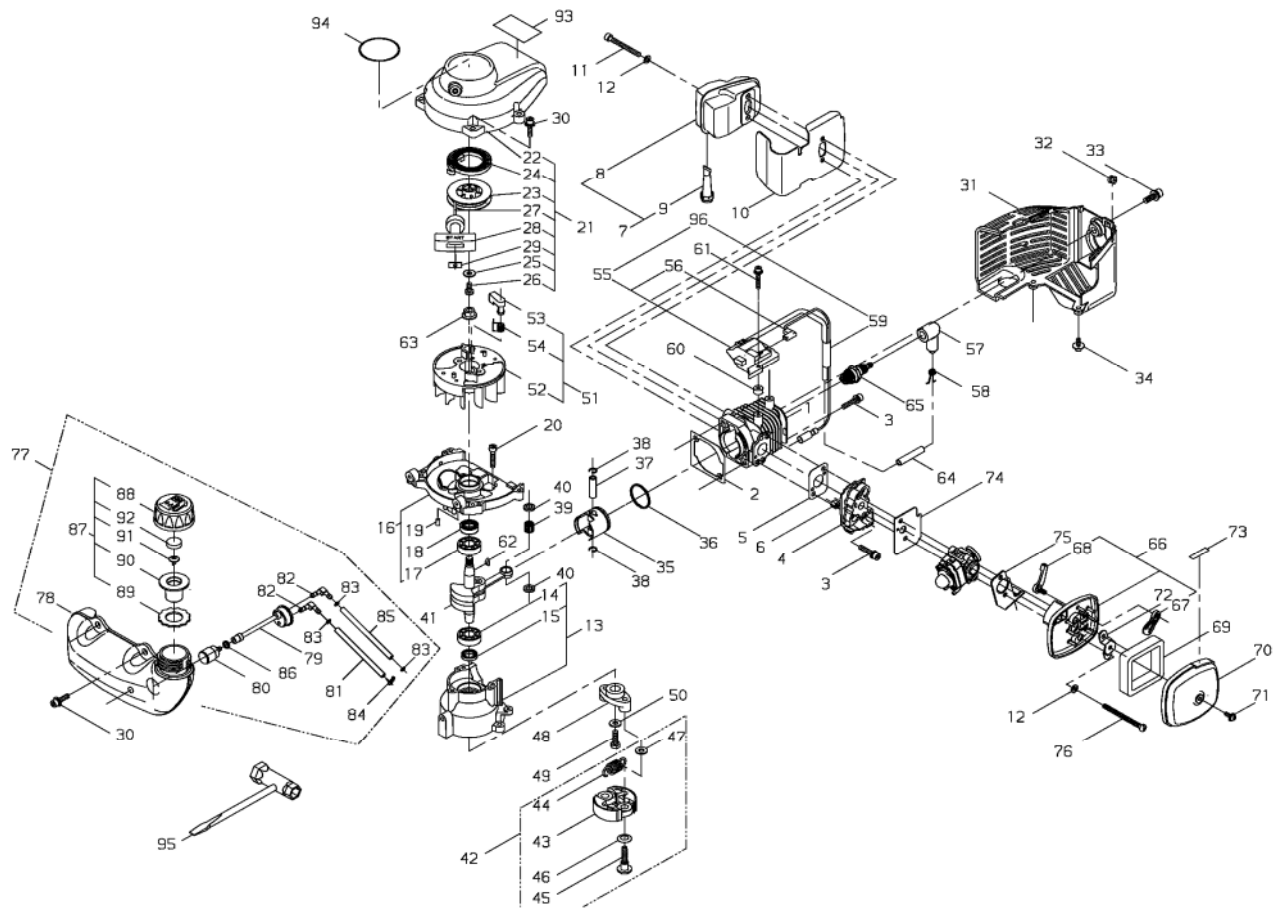
KEY	LV	PART NUMBER	Q'TY	DESCRIPTION	REMARKS	NOTE1	NOTE2
1		20142-12110	1	CYLINDER			
2		20870-12121	1	GASKET			
3		11022-05250	4	BOLT SPW		M5x25 (SW,PW)	
4		20140-12210	1	INSULATOR			
5		20140-12221	1	GASKET			
6		20011-12260	2	NUT			
7		67000-15010	1	MUFFLER ASSY			
8	▪	67000-15110	1	MUFFLER			
9	▪	67000-15340	1	SPARK ARRESTER			
10		68120-15210	1	GASKET			
11		01020-05400	2	BOLT		M5x40	
12		01610-05080	4	WASHER		5mm T:0.8 MFZN3-C	
13		62815-21310	1	CRANK CASE PTO COMP			
14		12900-60010	1	BALL BEARING			
15		22150-21250	1	SEAL OIL			
16		62815-21020	1	CRANK CASE M COMP			
17		12900-60010	1	BALL BEARING			
18		20000-21211	1	OIL SEAL			
19		12492-40080	2	ROLLER			
20		01020-05250	3	BOLT		M5x25	
21		68120-31010	1	FAN COVER ASSY			
22	▪	68120-31110	1	FAN COVER			
23	▪	70030-75120	1	REEL			
24	▪	70030-75130	1	RECOIL SPRING			

## 1. ENGINE



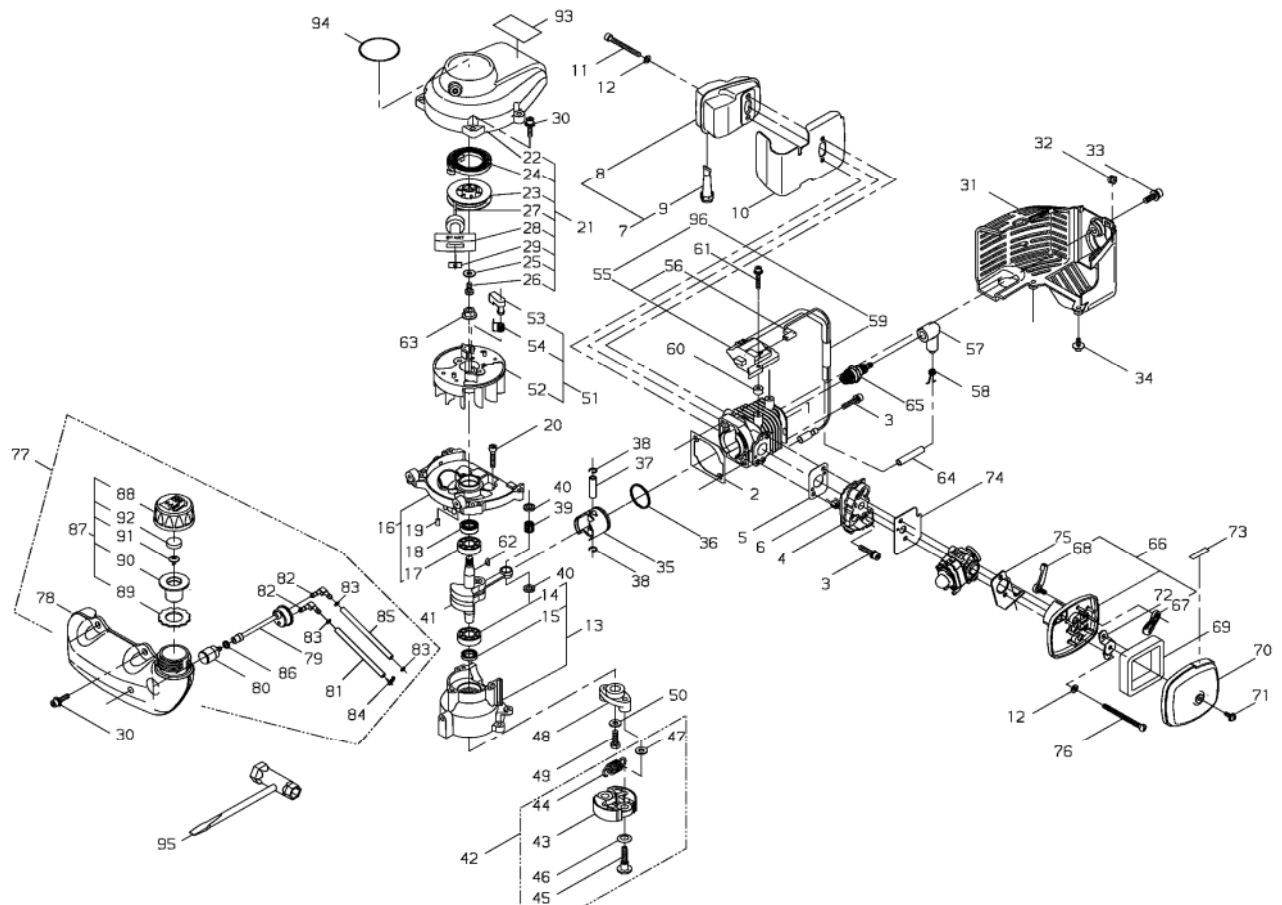
KEY	LV	PART NUMBER	Q'TY	DESCRIPTION	REMARKS	NOTE1	NOTE2
25	•	70030-75140	1	WASHER			
26	•	20035-75170	1	SCREW			
27	•	70030-75160	1	ROPE			
28	•	20010-75190	1	STARTER KNOB			
29	•	20010-75210	1	STOPPER			
30		11060-05202	7	BOLT ADHESIVE		M5x20	
31		68120-32110	1	CYLINDER COVER			
32		20011-72120	1	GROMMET			
33		11022-06160	1	BOLT SPW		M6x16	
34		11060-04163	2	BOLT		M4x16	
35		20142-41111	1	PISTON			
36		20142-41210	1	PISTON RING			
37		20142-41310	1	PISTON PIN			
38		70030-41320	2	RING,END			
39		20016-41330	1	NEEDLE BEARING			
40		20016-41340	2	THRUST WASHER			
41		68120-42010	1	CRANK SHAFT			
42		67000-51011	1	CLUTCH SHOE SET			
43	•	20035-51111	2	CLUTCH SHOE			
44	•	20035-51221	1	CLUTCH SPRING			
45	•	20142-51210	2	BOLT		M6	
46	•	20087-51231	2	SPRING PLATE			
47	•	22100-71430	2	WASHER			
48		20870-51211	1	CLUTCH BOSS			
49		20870-51220	1	BOLT		M6x18	
50		22100-71430	1	WASHER			

## 1. ENGINE



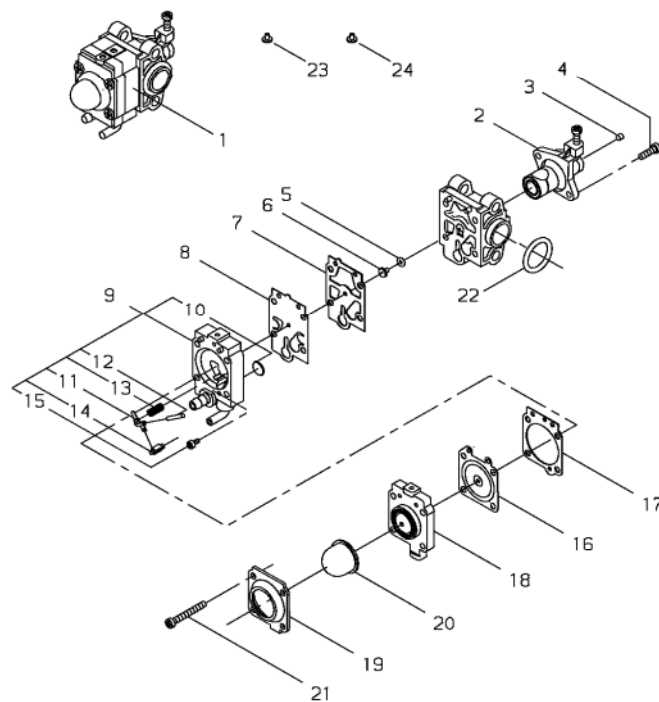
KEY	LV	PART NUMBER	Q'TY	DESCRIPTION	REMARKS	NOTE1	NOTE2
51		20870-71100	1	ROTOR SUB ASSY			
52	▪	20870-71110	1	ROTOR			
53	▪	20870-71120	1	RATCHET			
54	▪	20870-71130	1	COIL SPRING			
55	▪	68120-71021	1	COIL ASSY			
56	▪ ▪	20870-71222	1	CORD			
57		22102-72220	1	PLUG CAP			
58		20000-72230	1	SPRING SPARK PLUG			
59	▪	20016-71651	1	TUBE		φ8	
60		68120-71320	2	INSULATOR			
61		11024-04261	2	BOLT		M4x26	
62		02403-03100	1	KEY	3*10	3x10	
63		20035-71220	1	NUT			
64		70064-72111	1	TUBE		φ6	
65		13000-13406	1	SPARK PLUG BMR6A		BMR6A	
66		20140-81700	1	CLEANER BODY			
67	▪	20140-81720	1	CHOKE PLATE			
68	▪	20140-81730	1	CHOKE LEVER			
69		20140-82210	1	FILTER			
70		20140-81790	1	CLEANER COVER			
71		37019-82340	1	SCREW PM SLPW			
72		20018-81721	1	BACK PLATE			
73		19404-00008	1	LABEL CHOKE		25M	
74		68120-82310	1	GASKET			
75		68120-81310	1	CABLE HOLDER			
76		11203-05658	2	SCREW PM		M5x65	

## 1. ENGINE



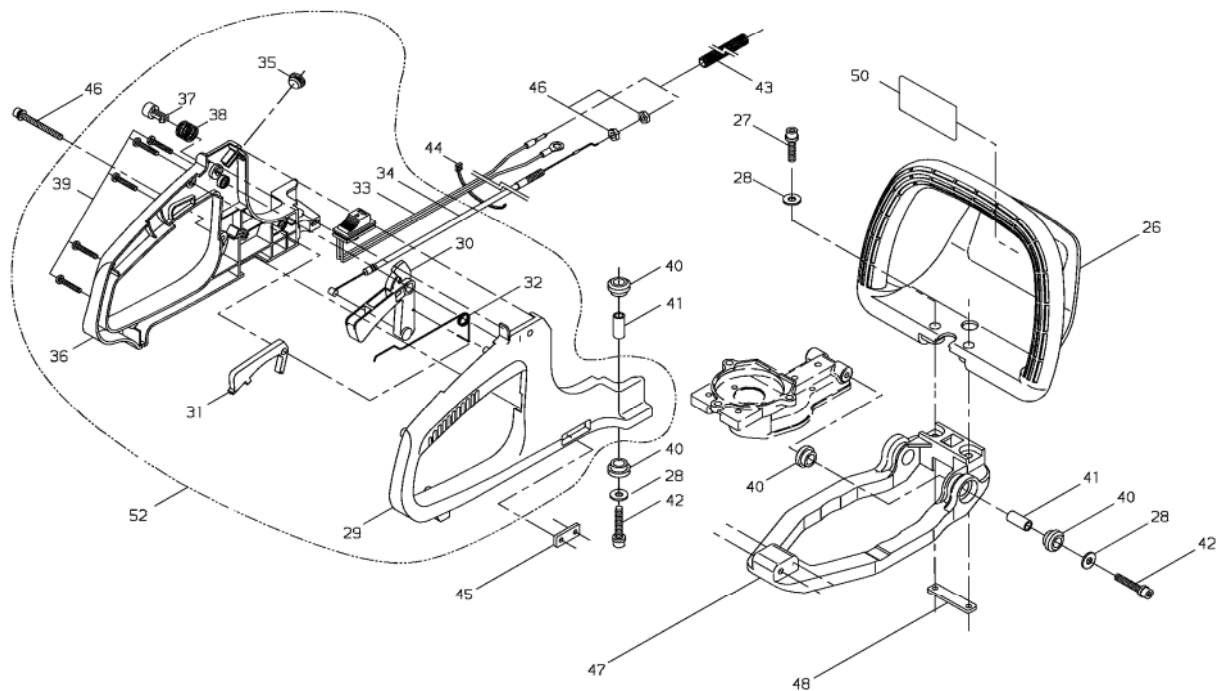
KEY	LV	PART NUMBER	Q'TY	DESCRIPTION	REMARKS	NOTE1	NOTE2
77		68120-85012	1	FUEL TANK ASSY			
78	•	68120-85110	1	FUEL TANK			
79	•	20870-85121	1	FUEL PIPE			
80	•	20016-85400	1	FUEL FILTER			
81	•	20870-85132	1	PIPE			
82	•	20087-85340	2	JOINT_PIPE			
83	•	20020-85540	3	CLIP			
84	•	37013-85310	1	CLIP			
85	•	68120-85330	1	PIPE			
86	•	20000-85350	1	CLAMP B			
87	•	20870-85151	1	FUEL CAP ASSY			
88	•	20870-85310	1	FUEL CAP			
89	•	20870-85160	1	GASKET			
90	•	20870-85170	1	HOLDER COMP			
91	•	20870-85320	1	VALVE FUEL			
92	•	20870-85210	1	SEAL,CIRCULAR			
93		19420-00050	1	LABEL TRADE			
94		68120-91020	1	LABEL TRADE			
95		22000-91181	1	PLUG WRENCH		13x19	
96		68120-98310	1	COIL SET			
		6812694010	1	MANUAL			
		68126-95010	0.5	PACKAGE			
		68120-95020	1	PAD			

## 2. CARBURETOR



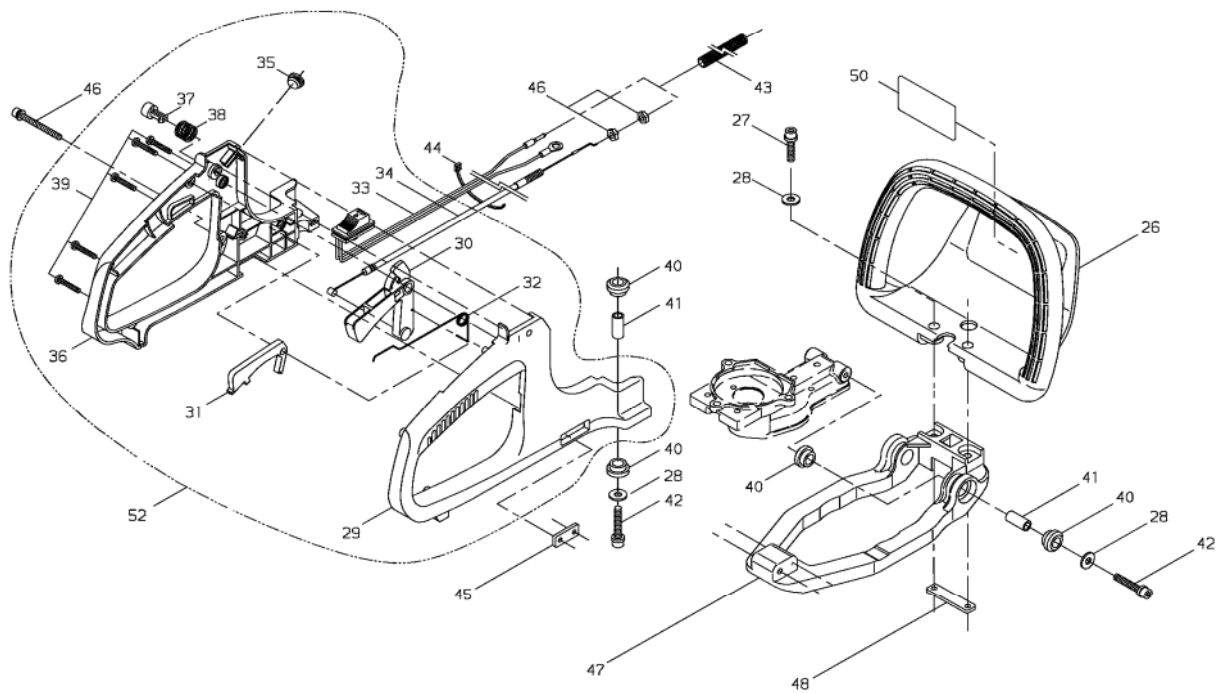
KEY	LV	PART NUMBER	Q'TY	DESCRIPTION	REMARKS	NOTE1	NOTE2
1		68120-81010	1	CABURETOR ASSY			
2	•	20016-81180	1	VALVE ASSY			
3	•	62074-81320	1	PLAG			
4	•	70064-81290	2	SCREW	M3*10		
5	•	70097-81220	1	O-RING			
6	•	70064-81230	1	MAIN JET			
7	•	70097-81310	1	GASKET,PUMP			
8	•	70097-81320	1	DIAPHRAGM			
9	• •	20016-81410	1	PUMP BODY COMP			
10	• •	70030-81380	1	SCREEN			
11	• •	22100-81230	1	LEVER, METERING			
12	• •	22100-81250	1	PIN			
13	• •	20016-81270	1	SPRING			
14	• •	20036-81440	1	VALVE			
15	• •	20016-81450	1	SCREW			
16	•	22100-81260	1	DIAPHRAGM ASM			
17	•	20016-81280	1	GASKET			
18	•	20016-81420	1	PUMP BASE COMP			
19	•	20016-81510	1	PUMP COVER			
20	•	20036-81670	1	PRIMER PUMP			
21	•	20016-81140	4	SCREW			
22	•	20016-81250	1	O RING			
23		68126-98320	1	MAIN JET		1000m	
24		68126-98330	1	MAIN JET		2000m	

## 3. GEAR CASE



KEY	LV	PART NUMBER	Q'TY	DESCRIPTION	REMARKS	NOTE1	NOTE2
1	•	68120-61110	1	GEAR CASE			
2		68120-61320	1	MAIN SHAFT			
3		02006-06001	2	BEARING	6001DDU	6001DDU	
4		02432-28120	1	SNAP RING			
5		68120-61120	1	CASE COVER			
6		68120-61130	1	CAM GEAR			
7		15401-10025	2	COLLAR			
8		68120-61160	1	CLUTCH DRUM			
9		68120-61170	2	ROD			
10		68120-61331	1	PLATE			
11		68120-61340	1	PACKING			
12		68120-61351	1	GASKET			
13		20870-61640	1	GREASE NIPPLE			
14		02430-12100	1	SNAP RING		M12	
15		01020-04100	7	BOLT		M4*10	
16		11060-06160	3	BOLT ADHESIVE		M6*16	
17		68120-62010	1	CUTTER ASSY			
18	•	18501-50000	1	GUIDE BAR			
19	•	18500-50100	2	BLADE			
20	•	20870-62110	4	BOLT		M6	
21	•	20870-62131	4	WASHER			
22	•	22011-97840	3	LOCK NUT			
23		68120-62331	1	HOLDER			
24		11526-05212	2	FLANGE NUT		M5 MFZN3-C	
25		22011-97840	1	LOCK NUT			
26		68120-64110	1	FRONT HANDLE			

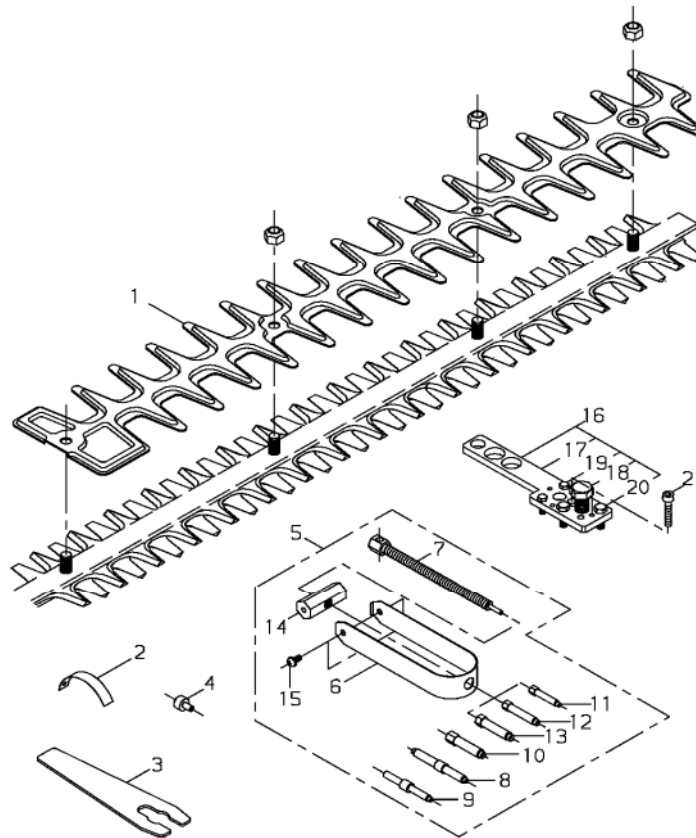
## 3. GEAR CASE



KEY	LV	PART NUMBER	Q'TY	DESCRIPTION	REMARKS	NOTE1	NOTE2
27		11020-06250	2	BOLT SW		M6*25 SPW	
28		23510-64210	6	WASHER			
29	•	62803-65114	1	RIGHT HANDLE			
30	•	62803-65312	1	THROTTLE LEVER			
31	•	62803-65322	1	LOCK LEVER			
32	•	62803-65350	1	COIL SPRING			
33	•	62803-65332	1	SWITCH			
34	•	68120-65320	1	THROTTLE CABLE			
35	•	22150-33630	1	PLUG			
36	•	62803-65124	1	LEFT HANDLE			
37	•	70871-65170	1	BUTTON			
38	•	70871-65180	1	COIL SPRING			
39	•	62803-65360	5	SCREW TAPPING			
40		68120-65330	8	CUSION			
41		15401-10200	4	COLLAR		MFZN3-C	
42		11020-06350	4	BOLT SW		M6*35	
43		20019-83140	1	TUBE			
44		15210-12305	1	BAND			
45		68120-65350	1	PLATE			
46		01501-06041	2	NUT	M6	M6 MFZN3-C	
47		68120-66310	1	STAY			
48		68120-66320	1	PLATE			
49		19402-00134	1	LABEL CAUTION			
50		19402-00158	1	LABEL CAUTION			
51		19601-01506	1	BLADE COVER			
52		68120-65013	1	REAR HANDLE ASSY			



## 4. OPTION



KEY	LV	PART NUMBER	Q'TY	DESCRIPTION	REMARKS	NOTE1	NOTE2
1		68122-62320	1	PROTECTOR			
2		20000-96210	1	AIR GAP GAUGE			
3		20000-96411	1	ROTOR SPANNER			
4		20021-96420	2	STOPPER			
5		20021-96601	1	PULLER ASSY			
6	•	20021-96611	1	PULLER			
7	•	20021-96621	1	BOLT			
8	•	20000-96631	1	GUIDE PIN			
9	•	20035-96630	1	GUIDE PIN			
10	•	20021-96630	1	GUIDE PIN			
11	•	20021-96650	1	PIN ADAPTER			
12	•	20021-96660	1	PIN ADAPTER			
13	•	20021-96670	1	PIN ADAPTER			
14	•	20000-96640	1	BOSS			
15	•	01211-06120	2	SCREW SW			
16		20000-96104	1	PULLER ASSY			
17	•	20000-96114	1	LEVER			
18	•	22100-96121	1	CENTER BOLT		M16	
19	•	20000-96130	3	BOLT			
20	•	20000-96140	2	BOLT			
21		01020-06350	2	BOLT		M6x35	

**Index**

<b>Patrs Number</b>	<b>Key No.</b>	<b>Patrs Number</b>	<b>Key No.</b>	<b>Patrs Number</b>	<b>Key No.</b>
01020-04100	3 - 15	20011-72120	1 - 32	20870-61640	3 - 13
01020-05250	1 - 20	20016-41330	1 - 39	20870-62110	3 - 20
01020-05400	1 - 11	20016-41340	1 - 40	20870-62131	3 - 21
01020-06350	4 - 21	20016-71651	1 - 59	20870-71100	1 - 51
01211-06120	4 - 15	20016-81140	2 - 21	20870-71110	1 - 52
01501-06041	3 - 46	20016-81180	2 - 2	20870-71120	1 - 53
01610-05080	1 - 12	20016-81250	2 - 22	20870-71130	1 - 54
02006-06001	3 - 3	20016-81270	2 - 13	20870-71222	1 - 56
02403-03100	1 - 62	20016-81280	2 - 17	20870-85121	1 - 79
02430-12100	3 - 14	20016-81410	2 - 9	20870-85132	1 - 81
02432-28120	3 - 4	20016-81420	2 - 18	20870-85151	1 - 87
11020-06250	3 - 27	20016-81450	2 - 15	20870-85160	1 - 89
11020-06350	3 - 42	20016-81510	2 - 19	20870-85170	1 - 90
11022-05250	1 - 3	20016-85400	1 - 80	20870-85210	1 - 92
11022-06160	1 - 33	20018-81721	1 - 72	20870-85310	1 - 88
11024-04261	1 - 61	20019-83140	3 - 43	20870-85320	1 - 91
11060-04163	1 - 34	20020-85540	1 - 83	22000-91181	1 - 95
11060-05202	1 - 30	20021-96420	4 - 4	22011-97840	3 - 22
11060-06160	3 - 16	20021-96601	4 - 5	22011-97840	3 - 25
11203-05658	1 - 76	20021-96611	4 - 6	22100-71430	1 - 47
11526-05212	3 - 24	20021-96621	4 - 7	22100-71430	1 - 50
12492-40080	1 - 19	20021-96630	4 - 10	22100-81230	2 - 11
12900-60010	1 - 14	20021-96650	4 - 11	22100-81250	2 - 12
12900-60010	1 - 17	20021-96660	4 - 12	22100-81260	2 - 16
13000-13406	1 - 65	20021-96670	4 - 13	22100-96121	4 - 18
15210-12305	3 - 44	20035-51111	1 - 43	22102-72220	1 - 57
15401-10025	3 - 7	20035-51221	1 - 44	22150-21250	1 - 15
15401-10200	3 - 41	20035-71220	1 - 63	22150-33630	3 - 35
18500-50100	3 - 19	20035-75170	1 - 26	23510-64210	3 - 28
18501-50000	3 - 18	20035-96630	4 - 9	37013-85310	1 - 84
19402-00134	3 - 49	20036-81440	2 - 14	37019-82340	1 - 71
19402-00158	3 - 50	20036-81670	2 - 20	62074-81320	2 - 3
19404-00008	1 - 73	20087-51231	1 - 46	62803-65114	3 - 29
19420-00050	1 - 93	20087-85340	1 - 82	62803-65124	3 - 36
19601-01506	3 - 51	20140-12210	1 - 4	62803-65312	3 - 30
20000-21211	1 - 18	20140-12221	1 - 5	62803-65322	3 - 31
20000-72230	1 - 58	20140-81700	1 - 66	62803-65332	3 - 33
20000-85350	1 - 86	20140-81720	1 - 67	62803-65350	3 - 32
20000-96104	4 - 16	20140-81730	1 - 68	62803-65360	3 - 39
20000-96114	4 - 17	20140-81790	1 - 70	62815-21020	1 - 16
20000-96130	4 - 19	20140-82210	1 - 69	62815-21310	1 - 13
20000-96140	4 - 20	20142-12110	1 - 1	67000-15010	1 - 7
20000-96210	4 - 2	20142-41111	1 - 35	67000-15110	1 - 8
20000-96411	4 - 3	20142-41210	1 - 36	67000-15340	1 - 9
20000-96631	4 - 8	20142-41310	1 - 37	67000-51011	1 - 42
20000-96640	4 - 14	20142-51210	1 - 45	68120-15210	1 - 10
20010-75190	1 - 28	20870-12121	1 - 2	68120-31010	1 - 21
20010-75210	1 - 29	20870-51211	1 - 48	68120-31110	1 - 22
20011-12260	1 - 6	20870-51220	1 - 49	68120-32110	1 - 31

**Index**

<b>Patrs Number</b>	<b>Key No.</b>	<b>Patrs Number</b>	<b>Key No.</b>	<b>Patrs Number</b>	<b>Key No.</b>
68120-42010	1 - 41				
68120-61110	3 - 1				
68120-61120	3 - 5				
68120-61130	3 - 6				
68120-61160	3 - 8				
68120-61170	3 - 9				
68120-61320	3 - 2				
68120-61331	3 - 10				
68120-61340	3 - 11				
68120-61351	3 - 12				
68120-62010	3 - 17				
68120-62331	3 - 23				
68120-64110	3 - 26				
68120-65013	3 - 52				
68120-65320	3 - 34				
68120-65330	3 - 40				
68120-65350	3 - 45				
68120-66310	3 - 47				
68120-66320	3 - 48				
68120-71021	1 - 55				
68120-71320	1 - 60				
68120-81010	2 - 1				
68120-81310	1 - 75				
68120-82310	1 - 74				
68120-85012	1 - 77				
68120-85110	1 - 78				
68120-85330	1 - 85				
68120-91020	1 - 94				
68120-95020	1 -				
68120-98310	1 - 96				
68122-62320	4 - 1				
6812694010	1 -				
68126-95010	1 -				
68126-98320	2 - 23				
68126-98330	2 - 24				
70030-41320	1 - 38				
70030-75120	1 - 23				
70030-75130	1 - 24				
70030-75140	1 - 25				
70030-75160	1 - 27				
70030-81380	2 - 10				
70064-72111	1 - 64				
70064-81230	2 - 6				
70064-81290	2 - 4				
70097-81220	2 - 5				
70097-81310	2 - 7				
70097-81320	2 - 8				
70871-65170	3 - 37				
70871-65180	3 - 38				

# YAMABIKO CORPORATION

7-2 SUEHIROCHO 1-CHOME, OHME, TOKYO 198-8760, JAPAN  
PHONE: 81-428-32-6118. FAX: 81-428-32-6145.

**shindaiwa<sup>®</sup>**

EPA2  
No.