



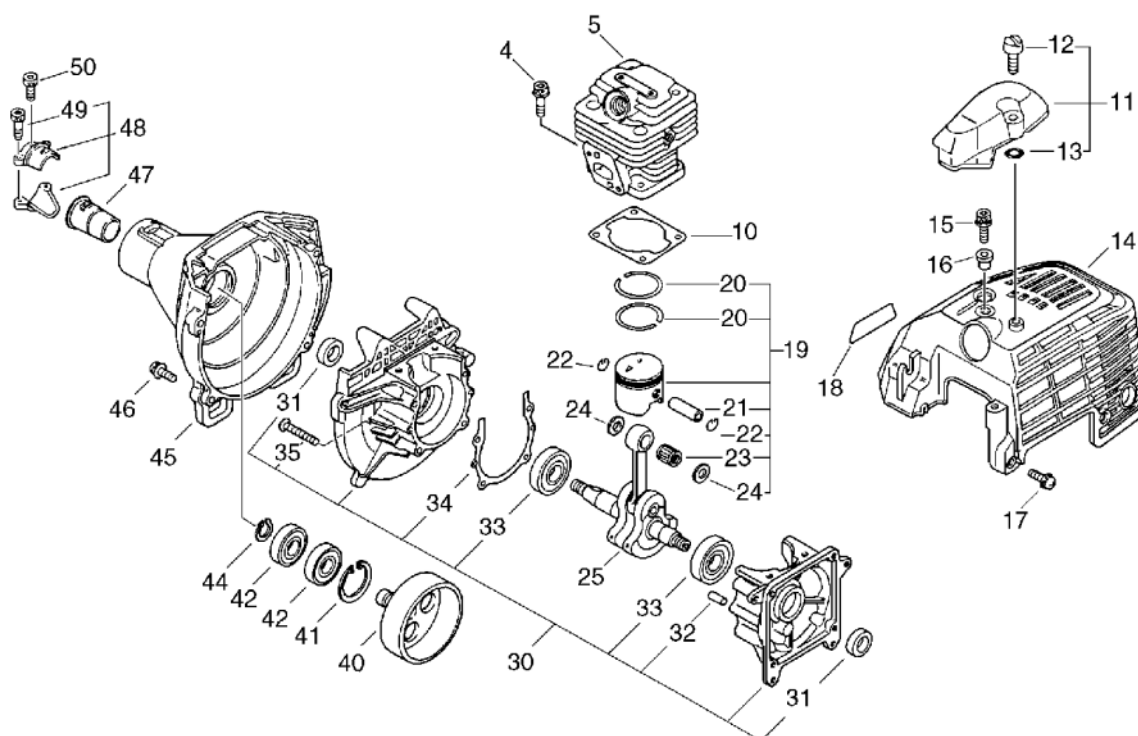
# **PARTS CATALOGUE**

## **GRASS-TRIMMER / BRUSHCUTTER**

**SRM-3155(SI),3605(SI)**

## 1. Cylinder, Crankcase, Piston, Fan Cover

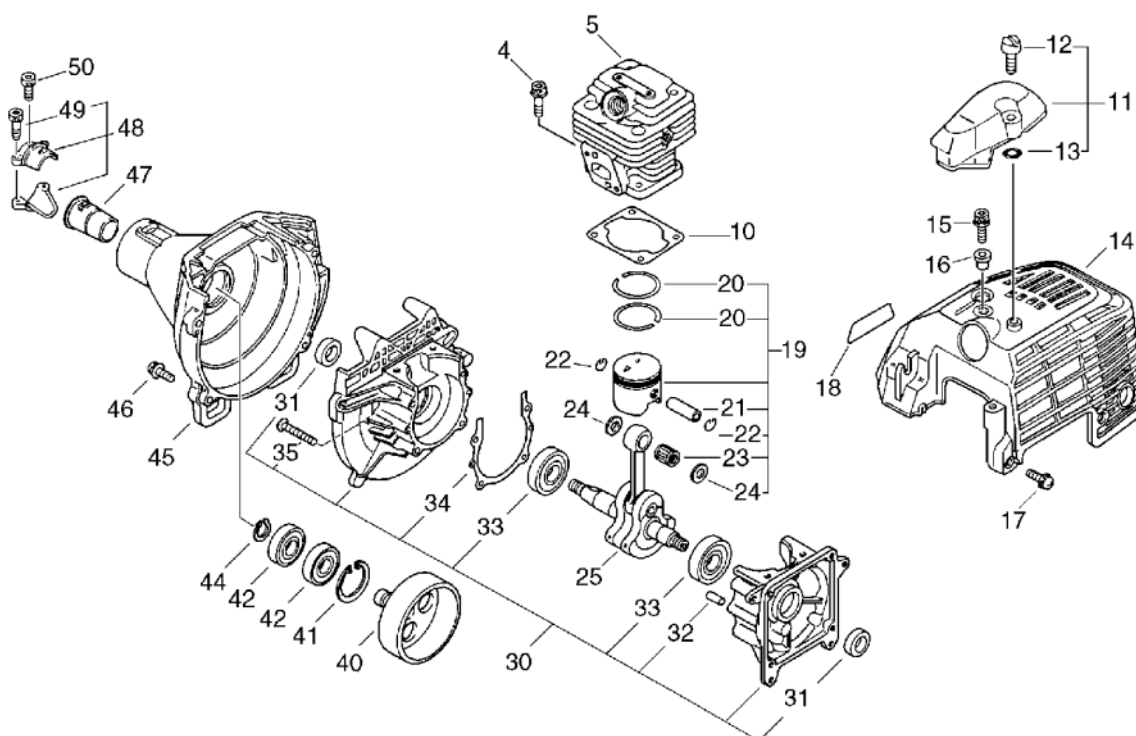
No.1



KEY	LV	PART NUMBER	Q'TY	DESCRIPTION	REMARKS	NOTE1	NOTE2
4		900162-05020	4	BOLT, H.S. 5*20	5*20 W,SW		
5		101034-55630	1	CYLINDER		SRM-3155/3155SI	
5		101034-55830	1	CYLINDER		Sus. by A310-000600	
5		A310-000600	1	CYLINDER		SRM-3605/3605SI	
5		A310-000601	1	CYLINDER		SRM-3605/3605SI	
10		101010-55430	1	GASKET, CYL. BASE			
11		159902-55230	1	GUARD KIT, TOP			
12	+	352325-55230	1	KNOB, FASTENER			
13	+	900720-00004	1	O-RING (P-4)	P-4		
14		101514-55630	1	COVER, CYLINDER			
15		900162-05020	1	BOLT, H.S. 5*20	5*20 W,SW		
16		101531-55230	1	COLLAR			
17		900162-05012	2	BOLT, H.S. 5*12	5*12 W,SW		
18		890112-56930	1	LABEL, MODEL		SRM-3155	
18		X503-003240	1	LABEL, MODEL	SRM-3155SI	SRM-3155SI	
18		890611-55830	1	LABEL, MODEL		SRM-3605	
18		X503-003210	1	LABEL, MODEL	SRM-3605S	SRM-3605SI	
19		100000-55430	1	PISTON KIT		Sus. by 100000-55431	
19		100000-55431	1	PISTON KIT		SRM-3155/3155SI	

# 1. Cylinder, Crankcase, Piston, Fan Cover

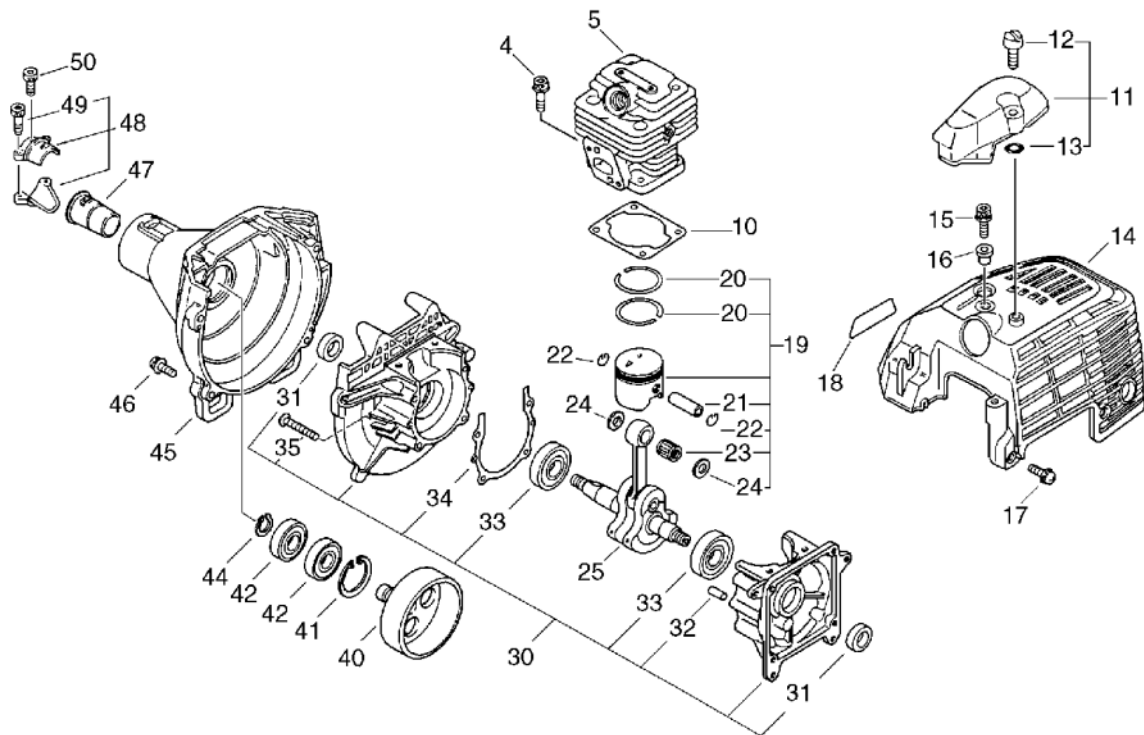
No.1



KEY	LV	PART NUMBER	Q'TY	DESCRIPTION	REMARKS	NOTE1	NOTE2
19		100000-55830	1	PISTON KIT		Sus. by P021-007410	
19		100000-55831	1	PISTON KIT		Sus. by P021-007410	
19		100000-55832	1	PISTON KIT		Sus. by P021-007410	
19		P021-007410	1	PISTON KIT		SRM-3605/3605SI	
20	+	100011-16131	2	RING, PISTON		SRM-3155/3155SI	
20	+	100011-42230	2	RING, PISTON		SRM-3605/3605SI	
21	+	100013-27430	1	PIN, PISTON			
22	+	100015-03930	2	CIRCLIP, PISTON PIN		Sus. by 100015-03931	
22	+	100015-03931	2	CIRCLIP, PISTON PIN			
23	+	100012-16131	1	BEARING, NEEDLE			
24	+	100014-53630	2	SPACER, PISTON PIN			
25		100100-55430	1	CRANKSHAFT ASSY			
30		100204-55430	1	CRANKCASE KIT			
31	+	100213-05530	2	OILSEAL	ISCD 12 22 7		
32	+	100215-03930	4	PIN, DOWEL			
33	+	900810-36201	2	BEARING, BALL 6201	6201/C3	Sus. by 94035-36201	
33	+	94035-36201	2	BEARING BALL	6201X3JR2C3		
34	+	100242-55430	1	GASKET, CRANKCASE			

**1. Cylinder, Crankcase, Piston, Fan Cover**

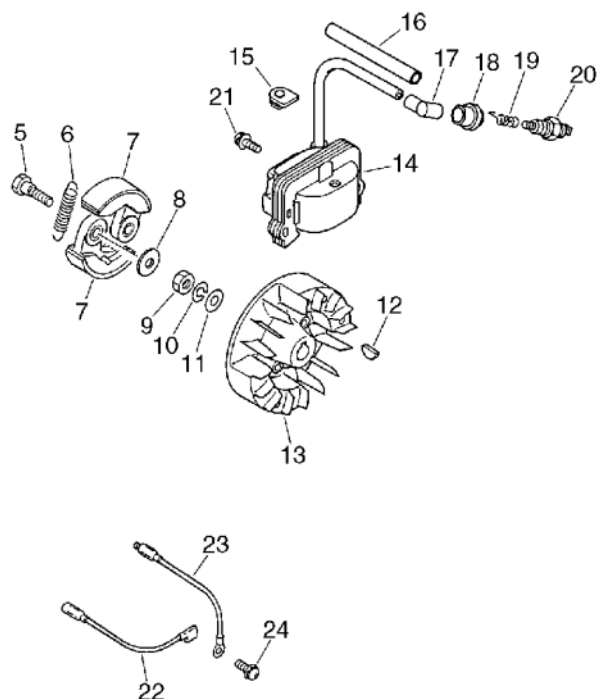
No.1



KEY	LV	PART NUMBER	Q'TY	DESCRIPTION	REMARKS	NOTE1	NOTE2
35	+	900162-05030	4	BOLT, H.S. 5*30	5*30 W,SW		
40		175005-49930	1	DRUM, CLUTCH			
41		900702-00028	1	CIRCLIP 28	CR-28		
42		900807-06001	2	BEARING, BALL 6001	6001V(LB)		
44		900701-00012	1	CIRCLIP 12	CS-12		
45		101511-55630	1	COVER, FAN			
46		900162-05020	4	BOLT, H.S. 5*20	5*20 W,SW		
47		610910-55630	1	CUSHION		Sus. by 610910-51830	
47		610910-51830	1	CUSHION			
48		610903-55630	1	HOLDER KIT			
49	+	900162-05025	2	BOLT, H.S. 5*25	5*25 W,SW		
50		900162-05012	1	BOLT, H.S. 5*12	5*12 W,SW		

**2. Magneto, Clutch**

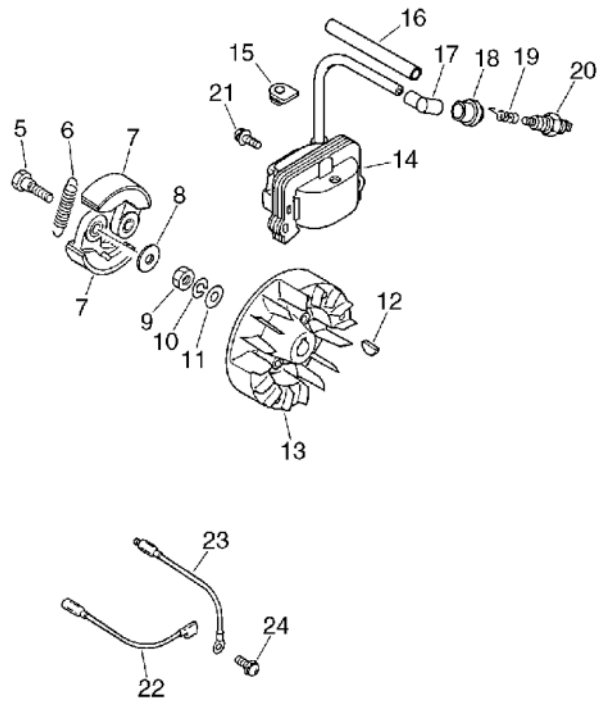
No.2



KEY	LV	PART NUMBER	Q'TY	DESCRIPTION	REMARKS	NOTE1	NOTE2
5		175046-46430	2	BOLT, CLUTCH			
6		175018-27931	1	SPRING, CLUTCH		Sus. by 175018-49932	
6		175018-27932	1	SPRING, CLUTCH		Sus. by 175018-49932	
6		175018-49931	1	SPRING, CLUTCH		Sus. by 175018-49932	
6		175018-49932	1	SPRING, CLUTCH		Sus. by 175018-49932	
7		175009-46431	2	SHOE, CLUTCH		Sus. by A553-000000	
7		A553-000000	2	ARM,CLUTCH			
8		175048-05530	2	WASHER (I)	6.2*19*1.0		
9		900502-00008	1	NUT 8 (3N)	3N8		
10		900605-00008	1	WASHER, SPRING 8	8		
11		900600-00008	1	WASHER 8	8		
12		100142-12330	1	KEY, WOODRUFF			
13		152801-55430	1	ROTOR, MAGNET			
14		152626-55430	1	COIL, IGNITION			
15		150112-44330	1	BUSHING			
16		150611-14530	1	TUBE 6*7*110	6*7*110		
17		159012-01620	1	CAP, SPARK PLUG			
18		159015-55230	1	COVER, PLUG CAP			
19		159011-03432	1	COIL, SPARK PLUG			
20		159010-10230	1	PLUG, SPARK (BPMR-7A)	BPMR-7A		
21		900162-05020	2	BOLT, H.S. 5*20	5*20 W,SW		
22		162010-55630	1	LEAD, GROUND	170L		

## 2. Magneto, Clutch

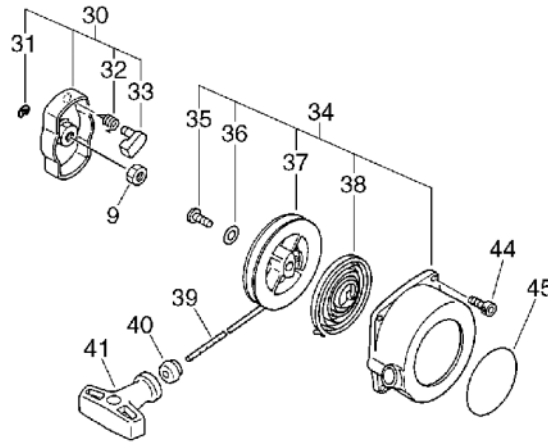
No.2



KEY	LV	PART NUMBER	Q'TY	DESCRIPTION	REMARKS	NOTE1	NOTE2
23		162014-52930	1	LEAD, GROUND			
24		900238-05010	1	SCREW 5*10	5*10		

**3. Starter(SRM-3155/3605)**

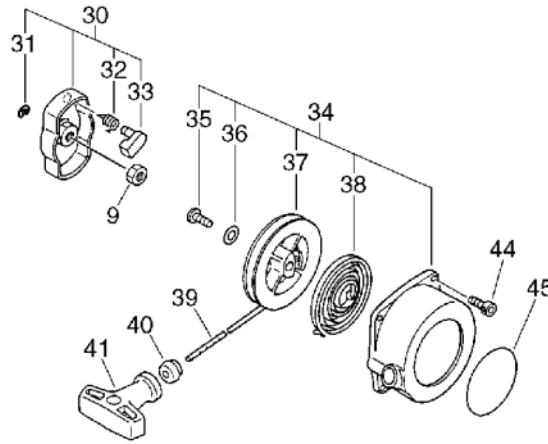
No.3



KEY	LV	PART NUMBER	Q'TY	DESCRIPTION	REMARKS	NOTE1	NOTE2
9		900502-00008	1	NUT 8 (3N)	3N8	SRM-3155/3605	
30		177202-41030	1	PAWL ASSY, STARTER		SRM-3155/3605	
31	+	900700-00004	1	E-RING 4	CE-4	SRM-3155/3605	
32	+	177234-40630	1	SPRING, RETURN		SRM-3155/3605	
33	+	177218-40630	1	PAWL, STARTER	WHITE	SRM-3155/3605	
34		177200-55630	1	STARTER ASSY		Sus. by 177200-55631	
34		177200-55631	1	STARTER ASSY		SRM-3155/3605	
35	+	177236-40630	1	SCREW		SRM-3155/3605	
36	+	177214-41030	1	WASHER		SRM-3155/3605	
37	+	177215-43130	1	DRUM, STARTER		SRM-3155/3605	
38	+	177220-40630	1	SPRING, REWIND		SRM-3155/3605	
39	+	177226-01110	1	ROPE, STARTER	4.0*880	SRM-3155/3605	
40	+	177227-42030	1	GUIDE, ROPE		SRM-3155/3605	

**3. Starter(SRM-3155/3605)**

No.3

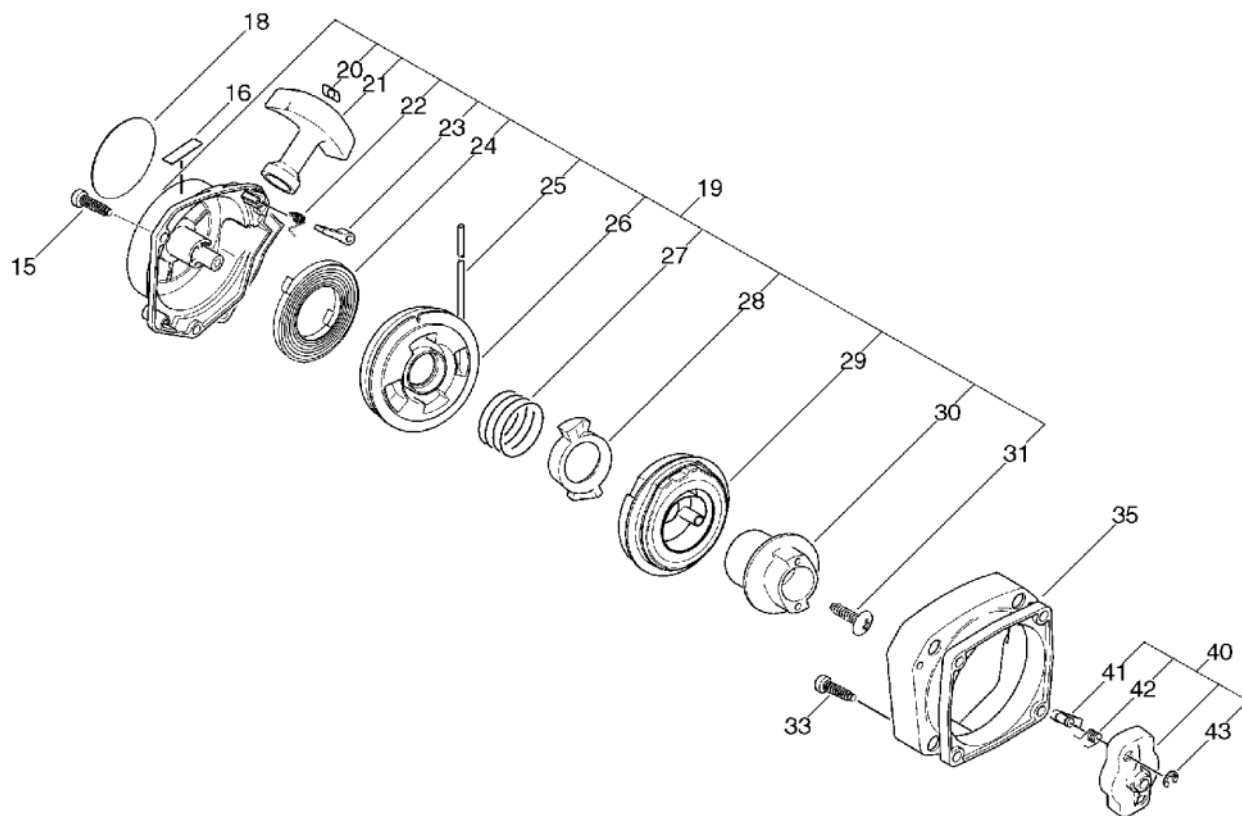


KEY	LV	PART NUMBER	Q'TY	DESCRIPTION	REMARKS	NOTE1	NOTE2
41	+	177228-11120	1	GRIP, STARTER		Sus. by 177228-27030	
41	+	177228-27030	1	GRIP, STARTER		SRM-3155/3605	
44		900162-04014	4	BOLT, H.S. 4*14	4*14 W,SW	SRM-3155/3605	
45		890118-49330	1	LABEL, ECHO		SRM-3155/3605	



## 4. Starter(SRM-3155SI/3605SI)

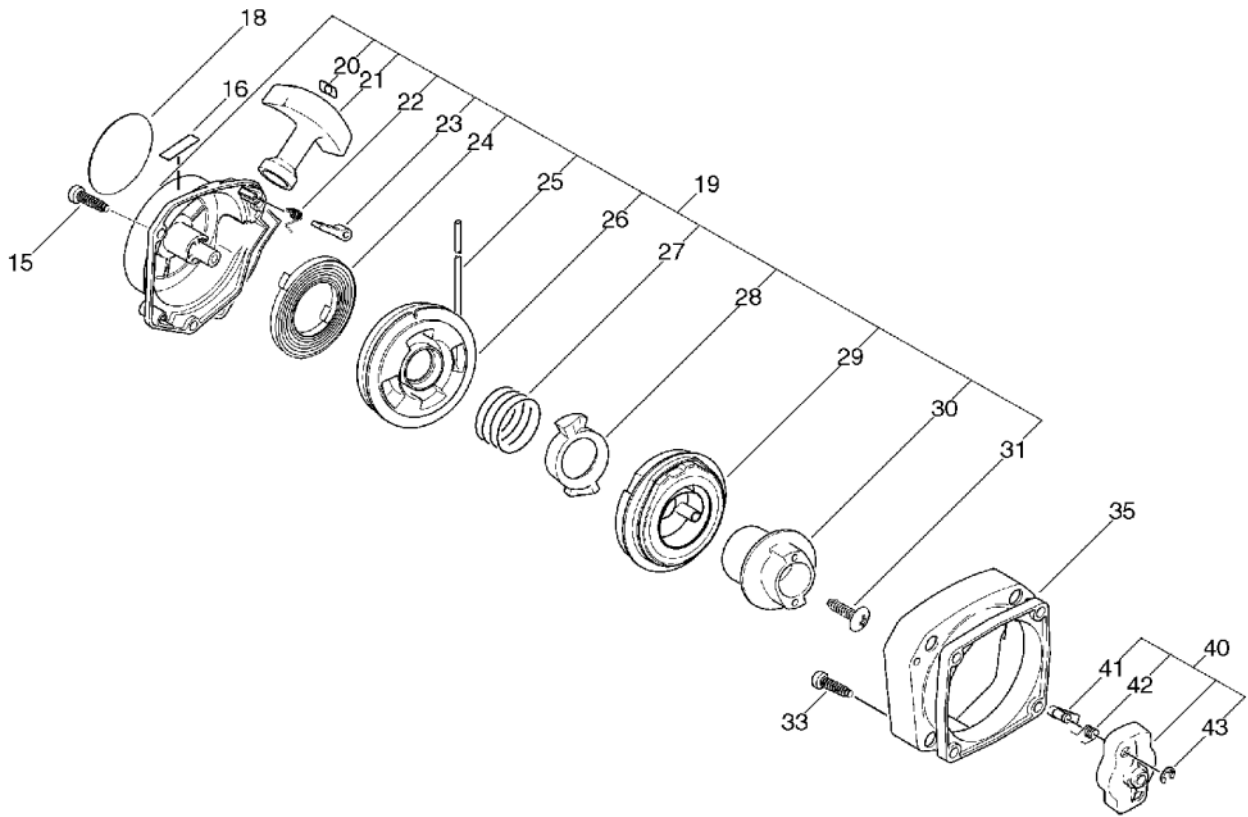
No.4



KEY	LV	PART NUMBER	Q'TY	DESCRIPTION	REMARKS	NOTE1	NOTE2
15		900253-05020	3	SCREW 5*20	5*20	SRM-3155SI/3605SI	
16		X505-000620	1	LABEL,CAUTION		SRM-3155SI/3605SI	
18		X502-000031	1	LABEL,ECHO		Sus. by X502-000032	
18		X502-000032	1	LABEL,ECHO		SRM-3155SI/3605SI	
19		A051-000310	1	STARTER,RECOIL		SRM-3155SI/3605SI	
20	+	177246-11120	1	CLIP, STARTER ROPE		SRM-3155SI/3605SI	
21	+	177228-27030	1	GRIP, STARTER		SRM-3155SI/3605SI	
22	+	P022-004610	2	SPRING, RETURN		SRM-3155SI/3605SI	
23	+	P022-004620	2	PAWL, STARTER		SRM-3155SI/3605SI	
24	+	P022-004680	1	SPRING, SPIRAL		SRM-3155SI/3605SI	
25	+	P022-004600	1	ROPE,STARTER	3.0*920	SRM-3155SI/3605SI	
26	+	P022-004690	1	REEL,ROPE		SRM-3155SI/3605SI	
27	+	P022-004660	1	SPRING, RETURN		SRM-3155SI/3605SI	

4. Starter(SRM-3155SI/3605SI)

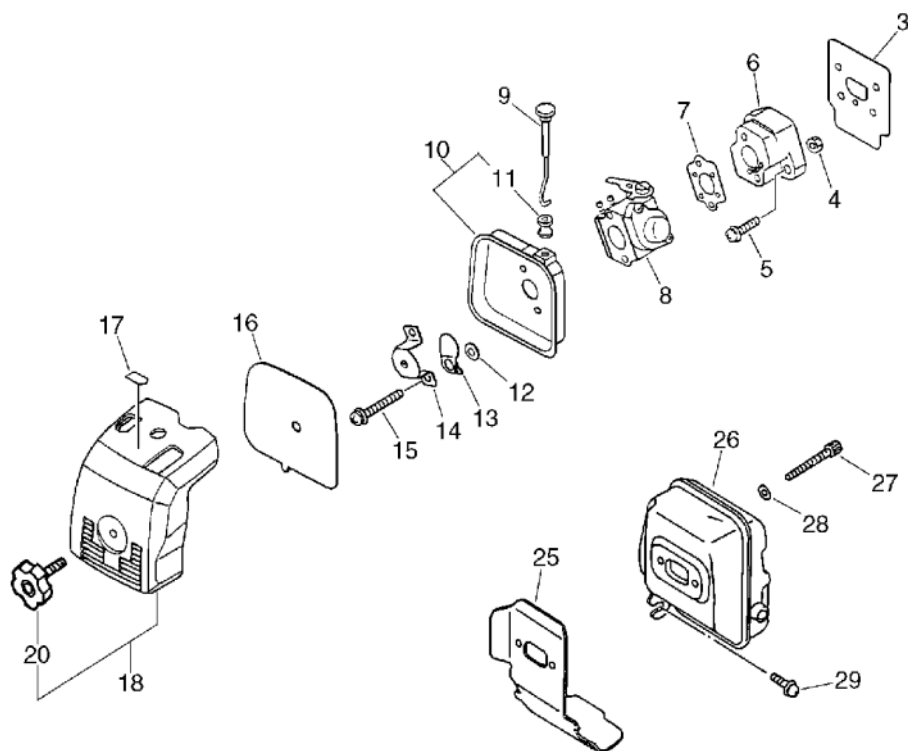
No.4



KEY	LV	PART NUMBER	Q'TY	DESCRIPTION	REMARKS	NOTE1	NOTE2
28	+	P022-004670	1	PAWL, STARTER		SRM-3155SI/3605SI	
29	+	P022-004730	1	COMPLETE,SPRING		SRM-3155SI/3605SI	
30	+	P022-004720	1	PLATE,CAM		SRM-3155SI/3605SI	
31	+	P022-004630	1	SCREW		SRM-3155SI/3605SI	
33		900162-04014	4	BOLT, H.S. 4*14	4*14 W,SW	SRM-3155SI/3605SI	
35		V376-000280	1	SPACER		SRM-3155SI/3605SI	
40		A052-000100	1	PULLEY,ASM STARTER		SRM-3155SI/3605SI	
41	+	177218-40630	2	PAWL, STARTER	WHITE	SRM-3155SI/3605SI	
42	+	177234-40630	2	SPRING, RETURN		SRM-3155SI/3605SI	
43	+	P022-002100	2	E-RING	4	SRM-3155SI/3605SI	

## 5. Air Cleaner, Muffler

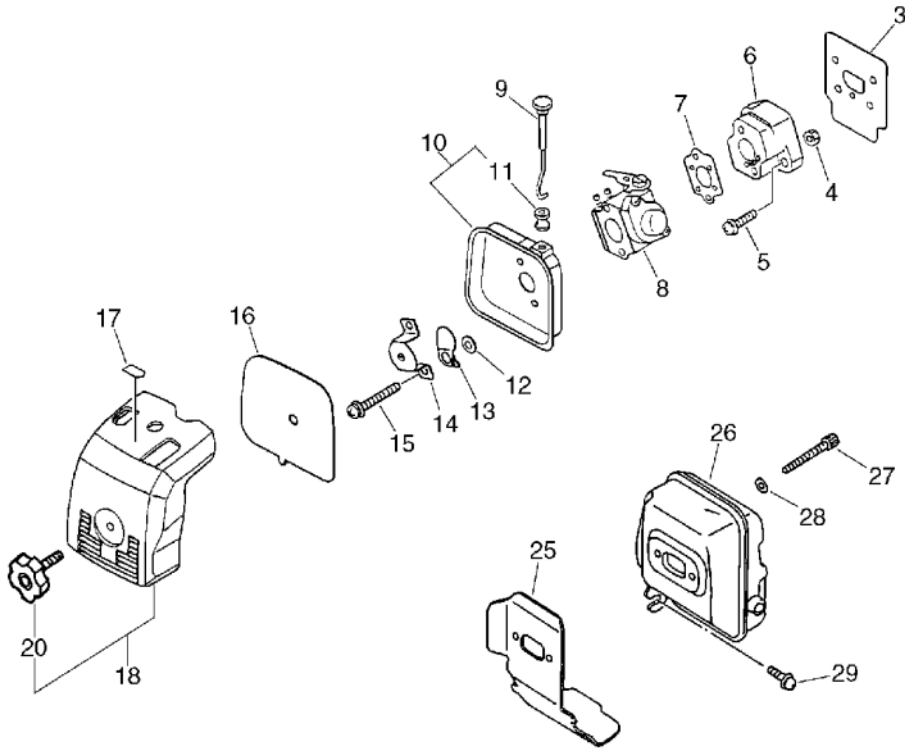
No.5



KEY	LV	PART NUMBER	Q'TY	DESCRIPTION	REMARKS	NOTE1	NOTE2
3		130016-55430	1	GASKET, INTAKE			
4		900500-00005	2	NUT 5	5		
5		900162-05025	2	BOLT, H.S. 5*25	5*25 W,SW		
6		130017-55630	1	INSULATOR			
7		130010-05960	1	GASKET, INTAKE			
8		123000-55630	1	CARBURETOR WT-344	WT-344		
9		178510-51730	1	ROD, CHOKE			
10		130301-51730	1	CASE, AIR CLEANER			
11	+	178810-05230	1	GROMMET			
12		178516-00830	1	SPACER	5.2*8*0.8T		
13		178515-05060	1	SHUTTER, CHOKE			
14		129011-52130	1	PLATE		Sus. by 129011-52131	
14		129011-52131	1	PLATE			
15		900162-05057	2	BOLT, H.S. 5*57	5*57 W,SW		
16		130310-51730	1	FILTER, AIR			
17		890121-47530	1	LABEL, CHOKE			
18		130302-52130	1	COVER ASSY, AIR CLN.		Sus. by 130302-52131	
18		130302-52131	1	COVER ASY, A. CLEANER			
20	+	130406-52130	1	KNOB, FASTENER		Sus. by 130406-52131	
20	+	130406-52131	1	KNOB, FASTENER			
25		145510-55430	1	GASKET, MUFFLER			
26		145610-55230	1	MUFFLER			
27		900105-05060	2	BOLT, H.S. 5*60	5*60		

# 5. Air Cleaner, Muffler

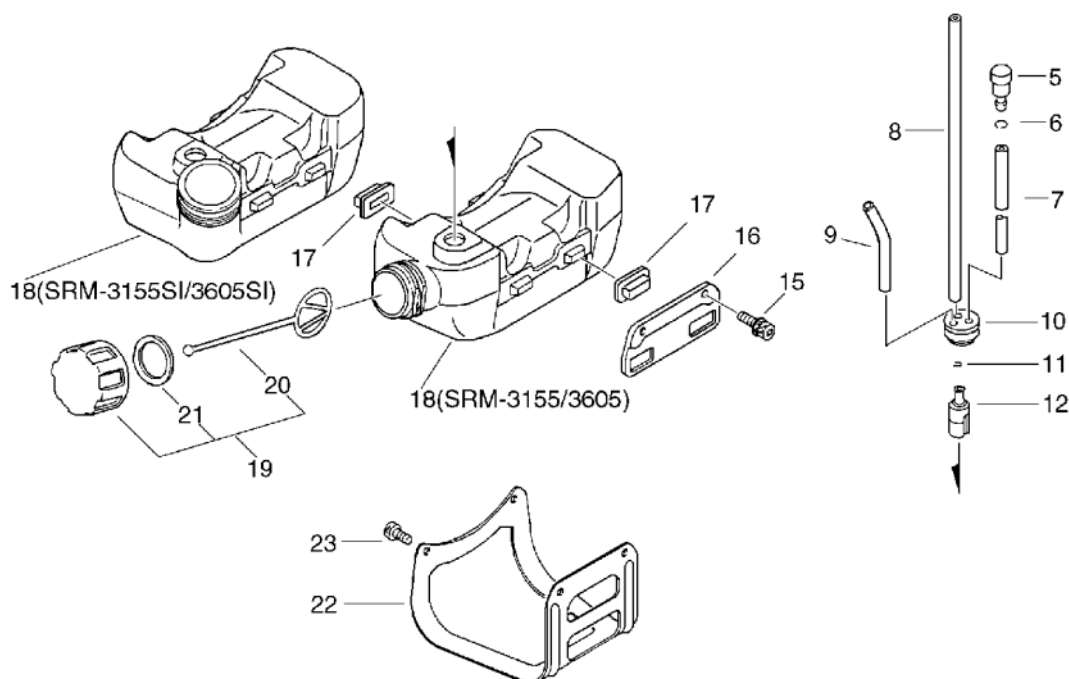
No.5



KEY	LV	PART NUMBER	Q'TY	DESCRIPTION	REMARKS	NOTE1	NOTE2
28		900600-00005	2	WASHER 5	5		
29		900162-05012	1	BOLT, H.S. 5*12	5*12 W,SW		

## 6. Fuel Tank

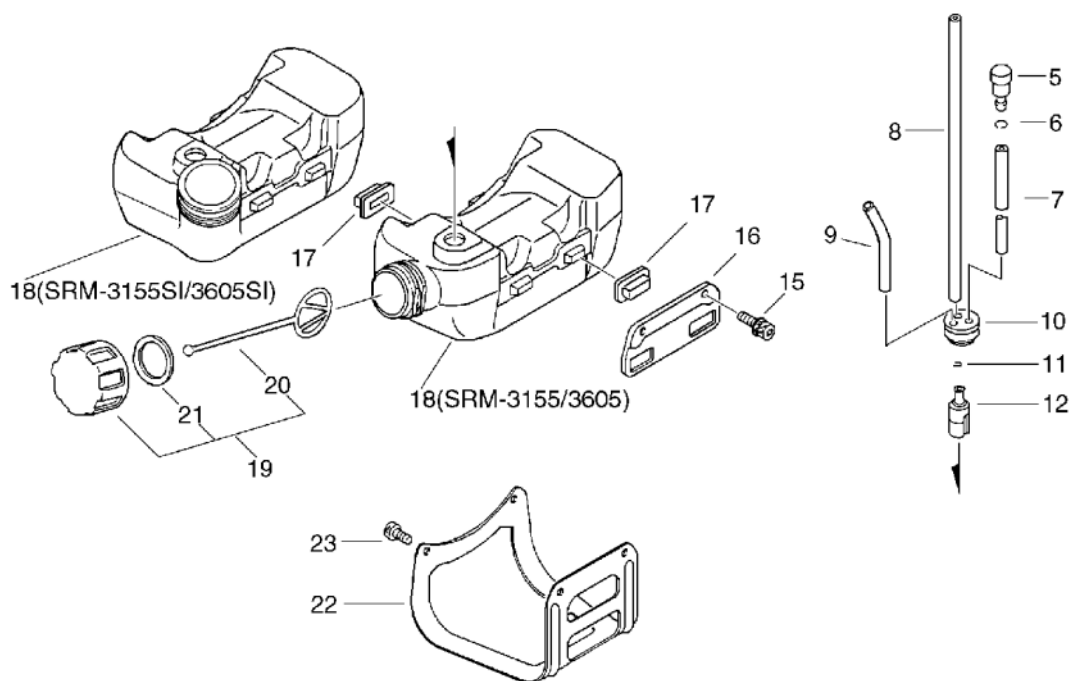
No.6



KEY	LV	PART NUMBER	Q'TY	DESCRIPTION	REMARKS	NOTE1	NOTE2
5		131300-56430	1	VALVE, CHECK			
6		130111-00530	1	CLIP	5.5		
7		437210-11131	1	PIPE 3*5*90 NBR	3*5*90 NBR	Sus. by V471-001210	
7		V471-001210	1	PIPE	3*5*90 NBR		
8		132010-13930	1	PIPE, FUEL	3*5*180L NBR	Sus. by V471-001190	
8		V471-001190	1	PIPE	3*5*180 NBR		
9		132010-56330	1	PIPE 3*6*90	3*6*90 YL		
10		132115-46730	1	GROMMET, FUEL			
11		132013-09820	1	CLIP	6MM		
12		131205-14930	1	STRAINER, FUEL			
15		900162-05020	2	BOLT, H.S. 5*20	5*20 W, SW		
16		131910-55430	1	BRACKET, FUEL TANK			
17		131920-55430	4	CUSHION, FUEL TANK			
18		131010-55430	1	TANK, FUEL		Sus. by 131010-64930	
18		131010-58130	1	TANK, FUEL		Sus. by 131010-64930	
18		131010-64930	1	TANK, FUEL		SRM-3155/3605	
18		A350-000170	1	TANK, FUEL		Sus. by A350-000171	
18		A350-000171	1	TANK, FUEL		SRM-3155SI/3605SI	
19		131004-55530	1	CAP ASSY, FUEL TANK			

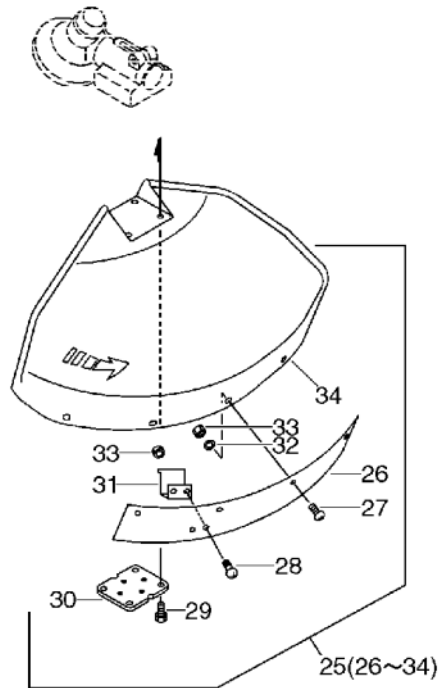
# 6. Fuel Tank

No.6



KEY	LV	PART NUMBER	Q'TY	DESCRIPTION	REMARKS	NOTE1	NOTE2
20	+	131051-56030	1	CLIP, FUEL CAP	100L		
21	+	131016-55830	1	GASKET, FUEL CAP			
22		305110-55630	1	STAND			
23		900162-05012	2	BOLT, H.S. 5*12	5*12 W,SW		

# 7. Shield(Sr/Nr 029420(SRM-3155)/D.S. Sr/Nr 023799(SRM-3605) a No.7

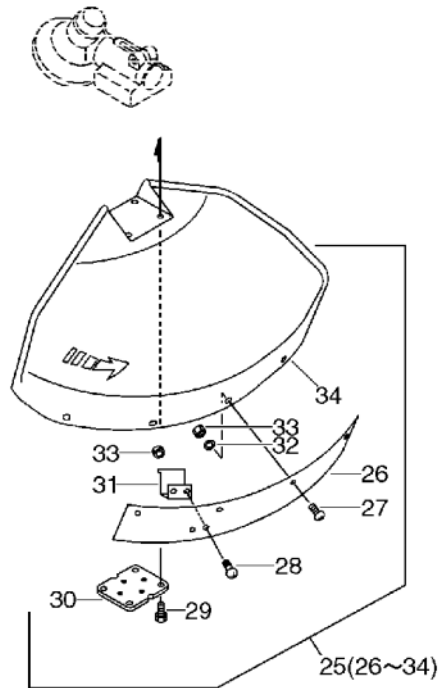


KEY	LV	PART NUMBER	Q'TY	DESCRIPTION	REMARKS	NOTE1	NOTE2
25		699000-52930	1	SHIELD ASSY		Sus. by 699000-52931	
25		699000-52931	1	SHIELD ASY		Sr/Nr 029420 and before/SRM-3155	
25		699000-52931	1	SHIELD ASY		Drive Shaft Sr/Nr 023799 and before/SRM-3605	
26	+	699013-52130	1	PLATE, SHIELD		Sr/Nr 029420 and before/SRM-3155	
26	+	699013-52130	1	PLATE, SHIELD		Drive Shaft Sr/Nr 023799 and before/SRM-3605	
27	+	900162-05018	4	BOLT, H.S. 5*18	5*18 W,SW	Sr/Nr 029420 and before/SRM-3155	
27	+	900162-05018	4	BOLT, H.S. 5*18	5*18 W,SW	Drive Shaft Sr/Nr 023799 and before/SRM-3605	
28	+	900162-05014	2	BOLT, H.S. 5*14	5*14 W,SW	Sr/Nr 029420 and before/SRM-3155	

and before)



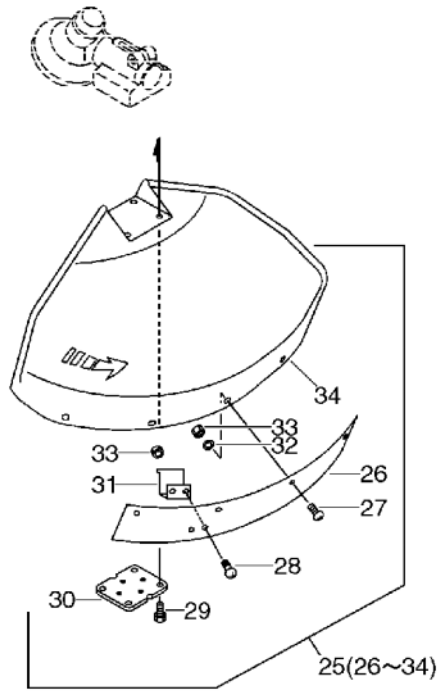
7. Shield(Sr/Nr 029420(SRM-3155)/D.S. Sr/Nr 023799(SRM-3605) a No.7



KEY	LV	PART NUMBER	Q'TY	DESCRIPTION	REMARKS	NOTE1	NOTE2
28	+	900162-05014	2	BOLT, H.S. 5*14	5*14 W,SW	Drive Shaft Sr/Nr 023799 and before/SRM-3605	
29	+	900162-05025	4	BOLT, H.S. 5*25	5*25 W,SW		
30	+	699013-56830	1	PLATE, SHIELD			
31	+	699016-52130	1	KNIFE, CORD		Sus. by 699016-54530	
31	+	699016-54530	1	KNIFE		Sr/Nr 029420 and before/SRM-3155	
31	+	699016-54530	1	KNIFE		Drive Shaft Sr/Nr 023799 and before/SRM-3605	
32	+	900603-00005	4	WASHER 5	5.5*12*0.8	Sr/Nr 029420 and before/SRM-3155	
32	+	900603-00005	4	WASHER 5	5.5*12*0.8	Drive Shaft Sr/Nr 023799 and before/SRM-3605	
33	+	900500-00005	6	NUT 5	5	Sr/Nr 029420 and before/SRM-3155	

and before)

7. Shield(Sr/Nr 029420(SRM-3155)/D.S. Sr/Nr 023799(SRM-3605) a No.7



KEY	LV	PART NUMBER	Q'TY	DESCRIPTION	REMARKS	NOTE1	NOTE2
33	+	900500-00005	6	NUT 5	5	Drive Shaft Sr/Nr 023799 and before/SRM-3605	
34	+	699010-52930	1	SHIELD, BLADE		Sus. by 699010-52931	
34	+	699010-52931	1	SHIELD, BLADE		Sr/Nr 029420 and before/SRM-3155	
34	+	699010-52931	1	SHIELD, BLADE		Drive Shaft Sr/Nr 023799 and before/SRM-3605	

and before)

**Index**

<b>Patrs Number</b>	<b>Key No.</b>	<b>Patrs Number</b>	<b>Key No.</b>	<b>Patrs Number</b>	<b>Key No.</b>
100000-55430	1 - 19	132013-09820	6 - 11	610910-55630	1 - 47
100000-55431	1 - 19	132115-46730	6 - 10	699000-52930	7 - 25
100000-55830	1 - 19	145510-55430	5 - 25	699000-52931	7 - 25
100000-55831	1 - 19	145610-55230	5 - 26	699000-52931	7 - 25
100000-55832	1 - 19	150112-44330	2 - 15	699010-52930	7 - 34
100011-16131	1 - 20	150611-14530	2 - 16	699010-52931	7 - 34
100011-42230	1 - 20	152626-55430	2 - 14	699010-52931	7 - 34
100012-16131	1 - 23	152801-55430	2 - 13	699013-52130	7 - 26
100013-27430	1 - 21	159010-10230	2 - 20	699013-52130	7 - 26
100014-53630	1 - 24	159011-03432	2 - 19	699013-56830	7 - 30
100015-03930	1 - 22	159012-01620	2 - 17	699016-52130	7 - 31
100015-03931	1 - 22	159015-55230	2 - 18	699016-54530	7 - 31
100100-55430	1 - 25	159902-55230	1 - 11	699016-54530	7 - 31
100142-12330	2 - 12	162010-55630	2 - 22	890112-56930	1 - 18
100204-55430	1 - 30	162014-52930	2 - 23	890118-49330	3 - 45
100213-05530	1 - 31	175005-49930	1 - 40	890121-47530	5 - 17
100215-03930	1 - 32	175009-46431	2 - 7	890611-55830	1 - 18
100242-55430	1 - 34	175018-27931	2 - 6	900105-05060	5 - 27
101010-55430	1 - 10	175018-27932	2 - 6	900162-04014	3 - 44
101034-55630	1 - 5	175018-49931	2 - 6	900162-04014	4 - 33
101034-55830	1 - 5	175018-49932	2 - 6	900162-05012	1 - 17
101511-55630	1 - 45	175046-46430	2 - 5	900162-05012	1 - 50
101514-55630	1 - 14	175048-05530	2 - 8	900162-05012	5 - 29
101531-55230	1 - 16	177200-55630	3 - 34	900162-05012	6 - 23
123000-55630	5 - 8	177200-55631	3 - 34	900162-05014	7 - 28
129011-52130	5 - 14	177202-41030	3 - 30	900162-05014	7 - 28
129011-52131	5 - 14	177214-41030	3 - 36	900162-05018	7 - 27
130010-05960	5 - 7	177215-43130	3 - 37	900162-05018	7 - 27
130016-55430	5 - 3	177218-40630	3 - 33	900162-05020	1 - 4
130017-55630	5 - 6	177218-40630	4 - 41	900162-05020	1 - 15
130111-00530	6 - 6	177220-40630	3 - 38	900162-05020	1 - 46
130301-51730	5 - 10	177226-01110	3 - 39	900162-05020	2 - 21
130302-52130	5 - 18	177227-42030	3 - 40	900162-05020	6 - 15
130302-52131	5 - 18	177228-11120	3 - 41	900162-05025	1 - 49
130310-51730	5 - 16	177228-27030	3 - 41	900162-05025	5 - 5
130406-52130	5 - 20	177228-27030	4 - 21	900162-05025	7 - 29
130406-52131	5 - 20	177234-40630	3 - 32	900162-05030	1 - 35
131004-55530	6 - 19	177234-40630	4 - 42	900162-05057	5 - 15
131010-55430	6 - 18	177236-40630	3 - 35	900238-05010	2 - 24
131010-58130	6 - 18	177246-11120	4 - 20	900253-05020	4 - 15
131010-64930	6 - 18	178510-51730	5 - 9	900500-00005	5 - 4
131016-55830	6 - 21	178515-05060	5 - 13	900500-00005	7 - 33
131051-56030	6 - 20	178516-00830	5 - 12	900500-00005	7 - 33
131205-14930	6 - 12	178810-05230	5 - 11	900502-00008	2 - 9
131300-56430	6 - 5	305110-55630	6 - 22	900502-00008	3 - 9
131910-55430	6 - 16	352325-55230	1 - 12	900600-00005	5 - 28
131920-55430	6 - 17	437210-11131	6 - 7	900600-00008	2 - 11
132010-13930	6 - 8	610903-55630	1 - 48	900603-00005	7 - 32
132010-56330	6 - 9	610910-51830	1 - 47	900603-00005	7 - 32

**Index**

<b>Patrs Number</b>	<b>Key No.</b>	<b>Patrs Number</b>	<b>Key No.</b>	<b>Patrs Number</b>	<b>Key No.</b>
900605-00008	2 - 10				
900700-00004	3 - 31				
900701-00012	1 - 44				
900702-00028	1 - 41				
900720-00004	1 - 13				
900807-06001	1 - 42				
900810-36201	1 - 33				
94035-36201	1 - 33				
A051-000310	4 - 19				
A052-000100	4 - 40				
A310-000600	1 - 5				
A310-000601	1 - 5				
A350-000170	6 - 18				
A350-000171	6 - 18				
A553-000000	2 - 7				
P021-007410	1 - 19				
P022-002100	4 - 43				
P022-004600	4 - 25				
P022-004610	4 - 22				
P022-004620	4 - 23				
P022-004630	4 - 31				
P022-004660	4 - 27				
P022-004670	4 - 28				
P022-004680	4 - 24				
P022-004690	4 - 26				
P022-004720	4 - 30				
P022-004730	4 - 29				
V376-000280	4 - 35				
V471-001190	6 - 8				
V471-001210	6 - 7				
X502-000031	4 - 18				
X502-000032	4 - 18				
X503-003210	1 - 18				
X503-003240	1 - 18				
X505-000620	4 - 16				

# YAMABIKO CORPORATION

7-2 SUEHIROCHO 1-CHOME, OHME, TOKYO 198-8760, JAPAN  
PHONE: 81-428-32-6118. FAX: 81-428-32-6145.



(SI)  
No.