

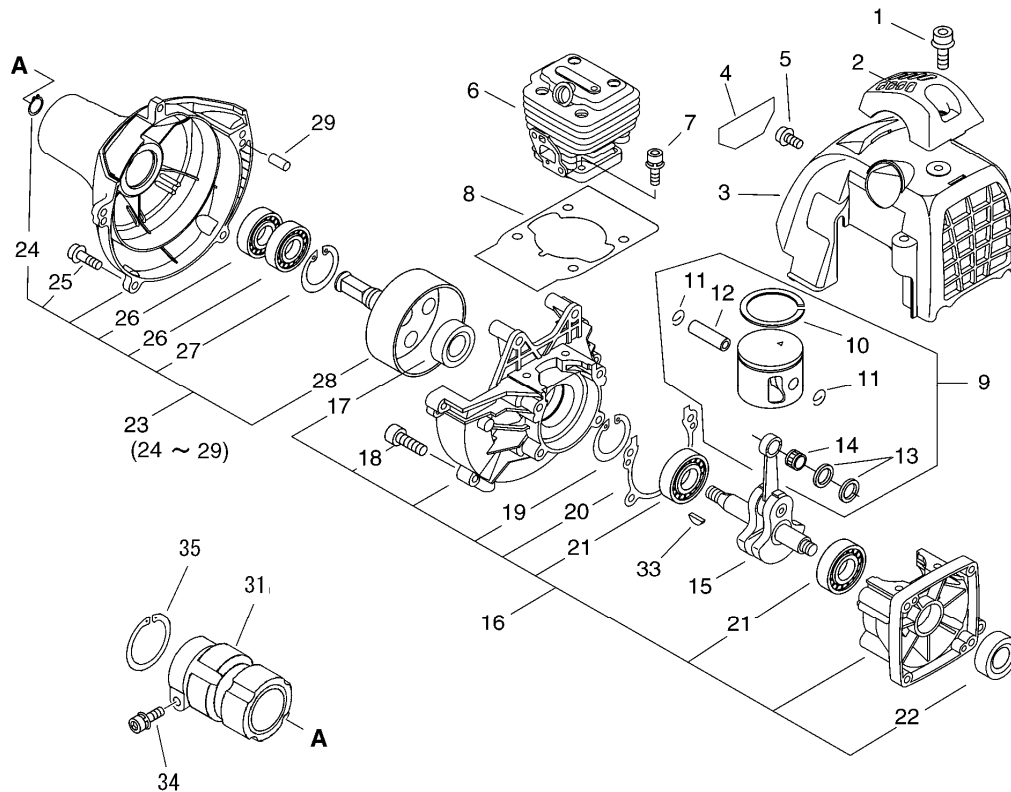


# **PARTS CATALOGUE**

## **GRASS-TRIMMER / BRUSHCUTTER**

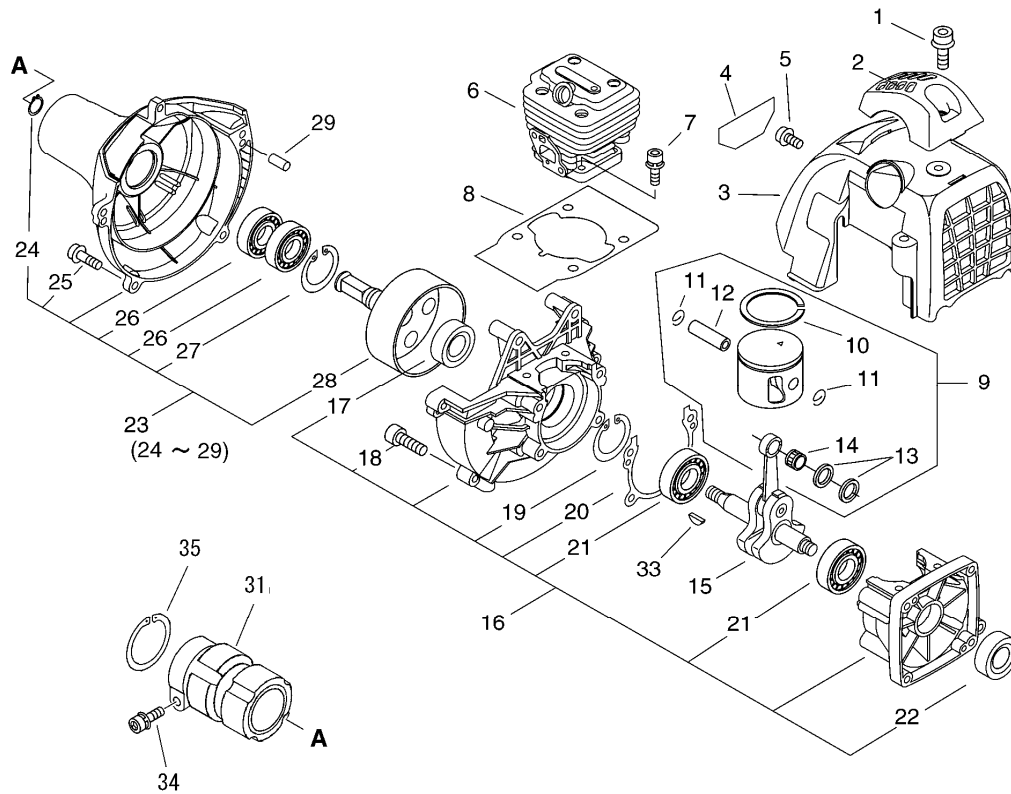
### **SRM-300ES(37)**

# 1. Cylinder, Crankcase, Piston, Fan Cover



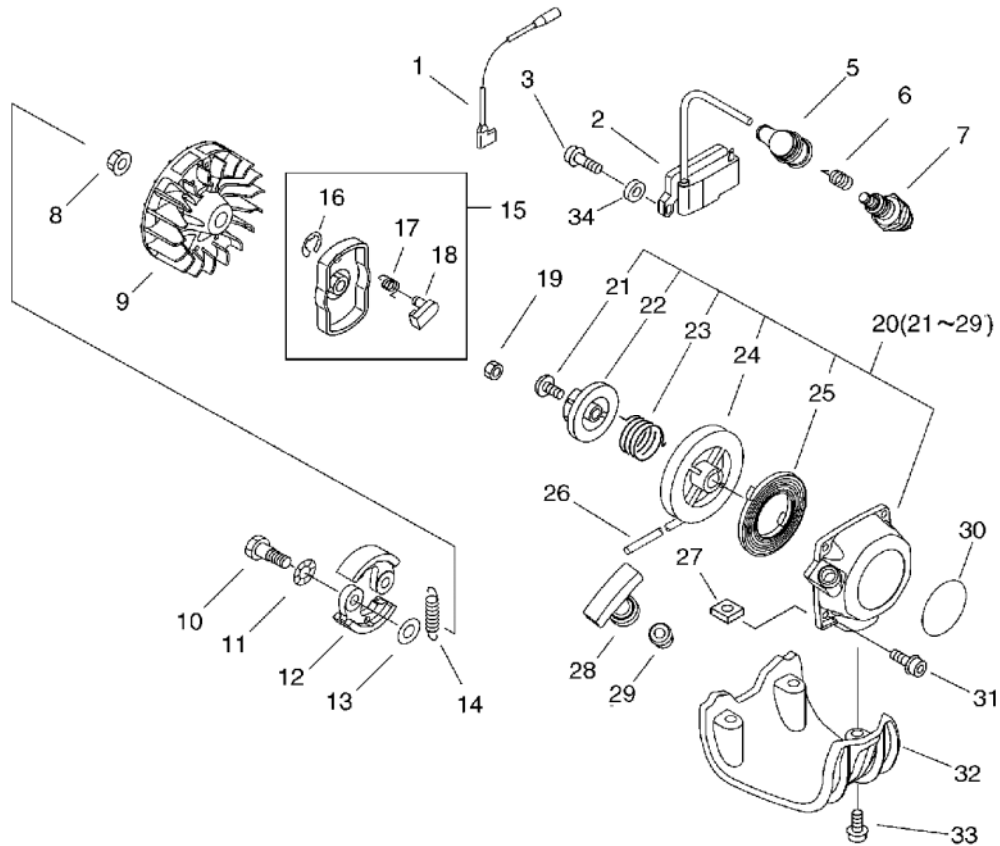
KEY	LV	PART NUMBER	Q'TY	DESCRIPTION	REMARKS	NOTE1	NOTE2
1		V203-000290	1	BOLT,5			
2		A162-000110	1	GUARD, TOP			
3		A160-000800	1	COVER, CYLINDER			
4		X547-000940	1	LABEL, ECHO	SRM-300ES		
5		91121-05010	2	BOLT, FLANGE	10.9 SILVER		
6		A130-000800	1	CYLINDER			
7		91128-05025	4	BOLT HSH			
8		V100-000201	1	GASKET, CYL			
9		P021-010730	1	PISTON KIT			
10	+	A101-000170	1	RING, PISTON	34*1.5*1.5		
11	+	100015-03931	2	CIRCLIP, PISTON PIN			
12	+	100013-35430	1	PIN, PISTON	6*9*27.8		
13	+	V306-000200	2	WASHER, CIRCULAR 8	9.2*14*T0.5		
14	+	100012-16131	1	BEARING, NEEDLE			
15		A011-000470	1	CRANKSHAFT, ASY	SCM415HK		
16		P021-010741	1	CRANKCASE KIT			
17	+	100212-03930	1	OILSEAL	ISCX12*32*5.5		
18	+	91128-05028	4	BOLT HSH			
19	+	900702-00032	1	CIRCLIP 32	CR-32		
20	+	V102-000030	1	GASKET, CRANKCASE	T:0.5		
21	+	94035-36201	2	BEARING BALL	6201X3JR2C3		
22	+	V505-000020	1	SEAL, OIL 12	12*22*7		
23		P021-014330	1	COVER ASY, FAN			
24	+	900701-00012	1	CIRCLIP 12	CS-12		
25	+	900106-05020	4	BOLT, H.S. 5*20	5*20		

# 1. Cylinder, Crankcase, Piston, Fan Cover



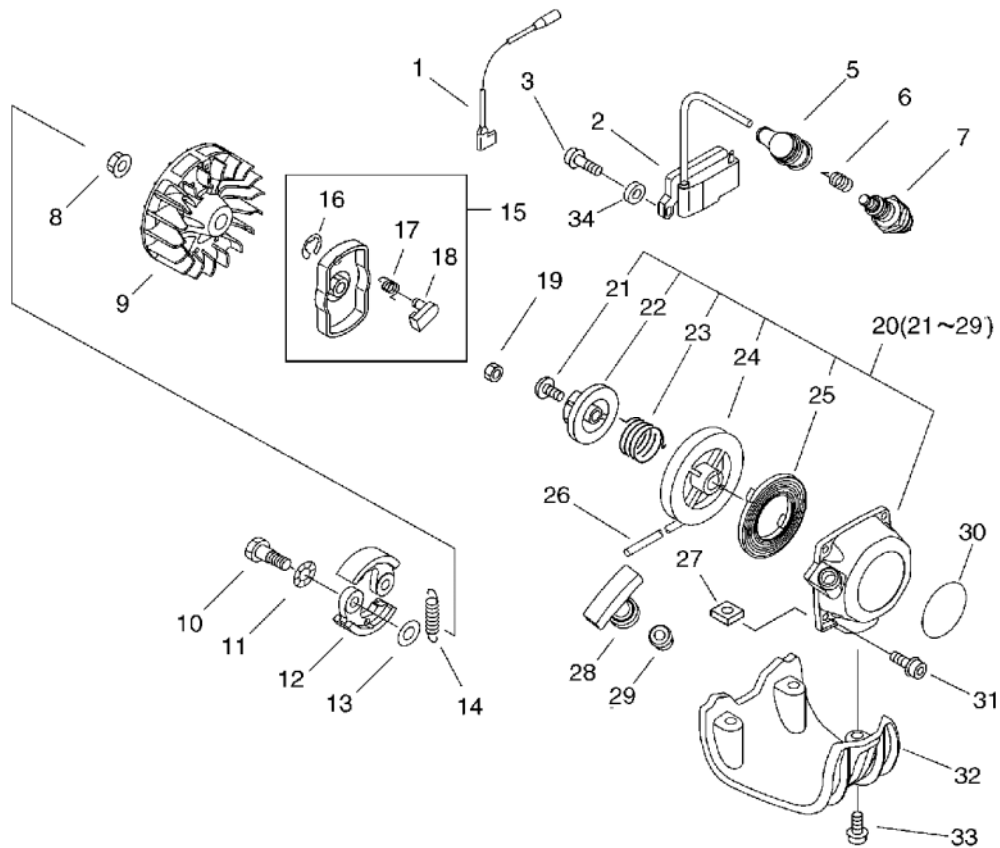
KEY	LV	PART NUMBER	Q'TY	DESCRIPTION	REMARKS	NOTE1	NOTE2
26	+	900807-06001	2	BEARING, BALL 6001	6001V(LB)		
27	+	900702-00028	1	CIRCLIP 28	CR-28		
28	+	A556-000420	1	DRUM, CLUTCH			
29	+	100215-03930	2	PIN, DOWEL			
30		P021-013900	1	FIXTURE, MAIN PIPE			
31	+	V420-001400	1	CUSHION			
32		900106-05025	2	BOLT, H.S. 5*25	5*25		
33		100142-12330	1	KEY, WOODRUFF			

## 2. Starter, Magneto



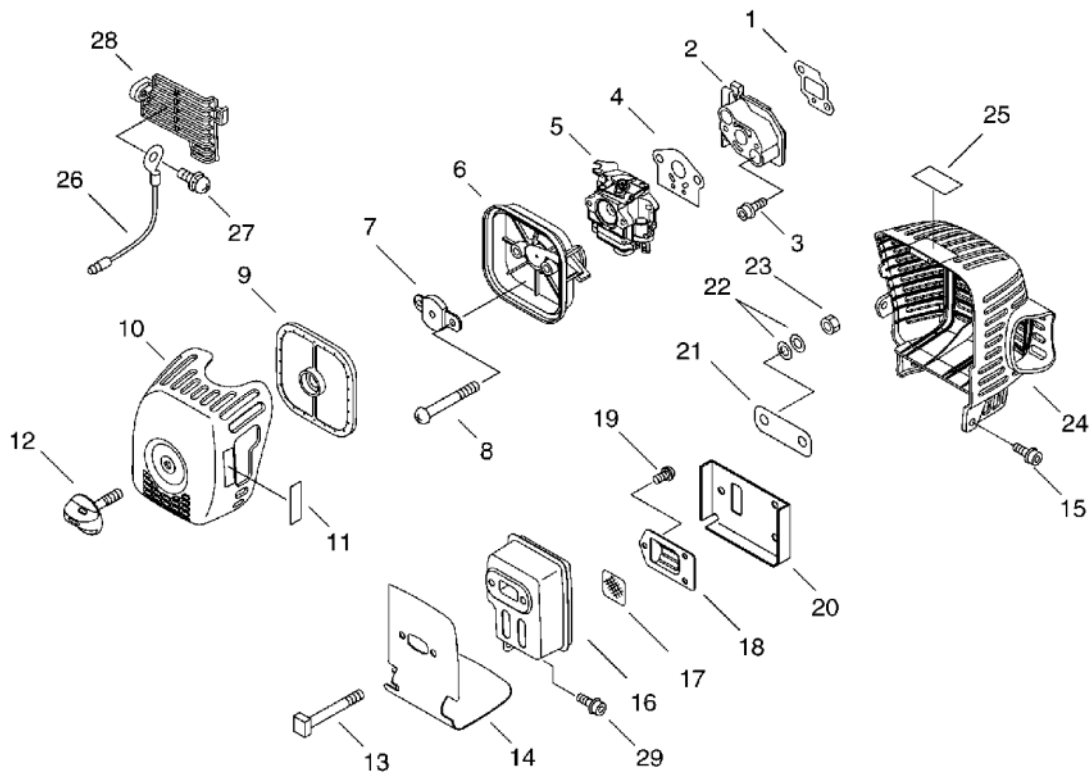
KEY	LV	PART NUMBER	Q'TY	DESCRIPTION	REMARKS	NOTE1	NOTE2
1		V485-000810	1	LEAD	L215		
2		A411-000310	1	COIL, IGNITION		Sus. by A411-000311	
2		A411-000311	1	COIL, IGNITION			
3		900162-05020	2	BOLT, H.S. 5*20	5*20 W,SW		
5		159012-03433	1	CAP, SPARK PLUG			
6		159011-03432	1	COIL, SPARK PLUG			
7		A425-000000	1	SPARKPLUG	BPMR8Y		
8		900515-00008	1	NUT, FLANGE 8	8		
9		A409-000290	1	ROTOR, MAGNETO			
10		175046-56030	2	SHAFT, CLUTCH			
11		175049-56030	2	WASHER	8.5*16*0.5		
12		A553-000050	2	ARM, CLUTCH			
13		175048-05530	2	WASHER (I)	6.2*19*1.0		
14		A566-000020	1	SPRING, CLUTCH			
15		A052-000180	1	PULLEY,ASM STARTER			
16	+	P022-002100	1	E-RING	4		
17	+	P022-006510	1	SPRING, RETURN			
18	+	P022-006850	1	PAWL, STARTER			
19		900502-00008	1	NUT 8 (3N)	3N8		
20		A051-001210	1	STARTER,RECOIL ASY			
21	+	177236-61830	1	SCREW			
22	+	P022-008280	1	PLATE, CAM			
23	+	P022-008270	1	SPRING,DAMPER			
24	+	A506-000030	1	REEL,ROPE			
25	+	177220-40630	1	SPRING, REWIND			

## 2. Starter, Magneto



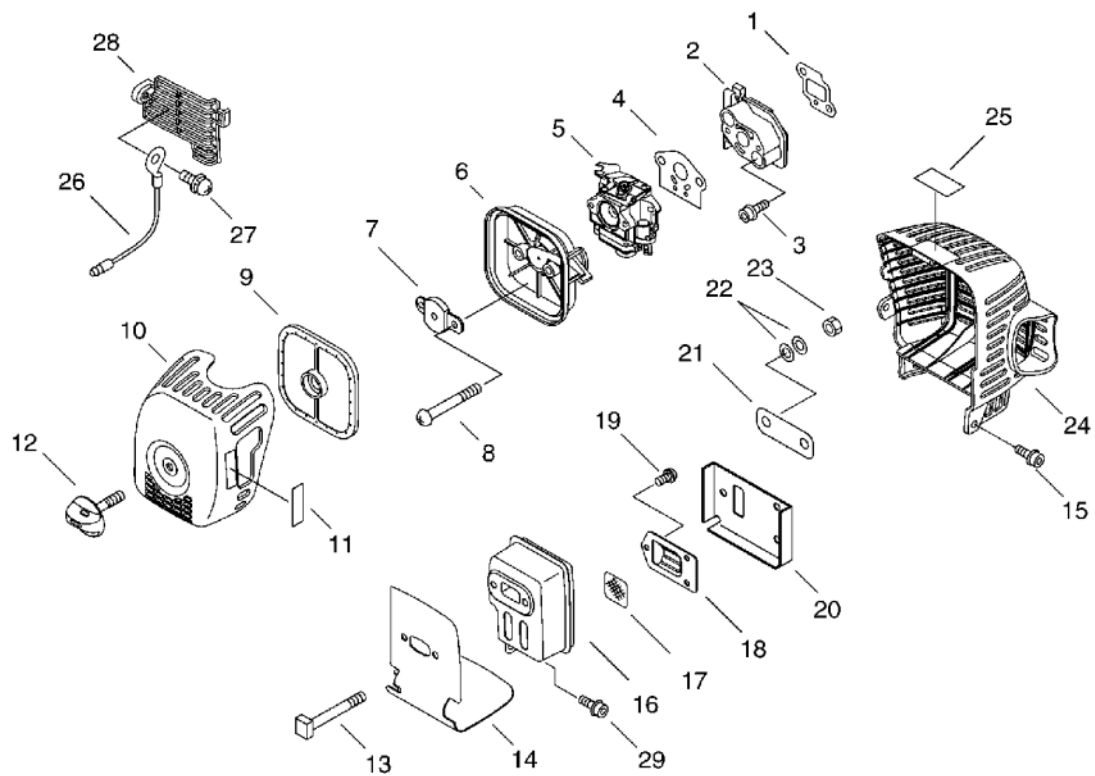
KEY	LV	PART NUMBER	Q'TY	DESCRIPTION	REMARKS	NOTE1	NOTE2
26	+	P022-022110	1	ROPE, STARTER			
27	+	P022-022010	1	NUT			
28	+	177228-27030	1	GRIP, STARTER			
29	+	177227-42030	1	GUIDE, ROPE			
30		X502-000330	1	LABEL,ECHO	ECHO		
31		V203-000280	4	BOLT,5			
32		A175-000040	2	STAND			
33		91121-05020	3	BOLT, FLANGE	10.9 SILVER		
34		V323-000070	2	WASHER,CIRCULAR 5	5.2*10*3		

### 3. Air Cleaner, Carburetor, Muffler



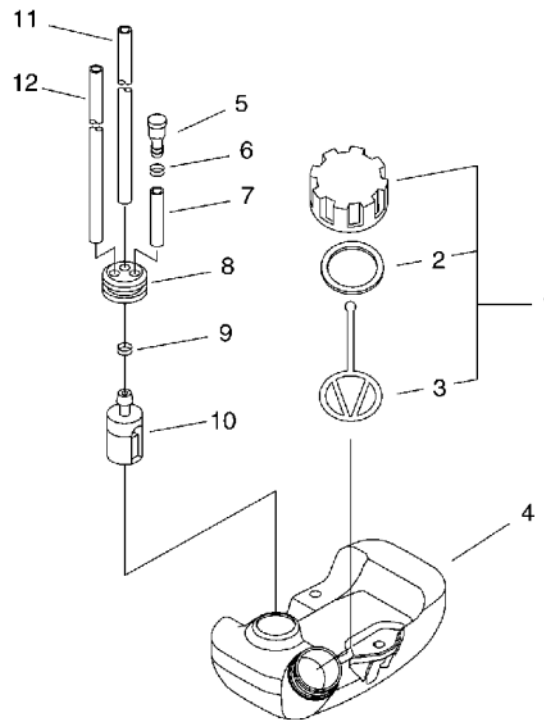
KEY	LV	PART NUMBER	Q'TY	DESCRIPTION	REMARKS	NOTE1	NOTE2
1		V103-000380	1	GASKET,INTAKE	T0.5		
2		A200-000270	1	INSULATOR, INTAKE	PM9685L		
3		900106-05030	2	BOLT, H.S.H. 5*30	5*30		
4		V103-000160	1	GASKET,INTAKE			
5		A021-001340	1	CARBURETOR,DIAPHRAGM	WYK-233A		
6		P021-013820	1	CASE, AIR CLEANER			
7		A244-000070	1	PLATE,PREVENT			
8		900242-05060	2	SCREW 5*60	5*60		
9		A226-000350	1	ELEMENT, AIR FILTER			
10		A232-000360	1	LID,CLEANER	ID #1320		
11		890332-52730	1	LABEL, CHOKE			
12		V299-000250	1	KNOB,FASTENER			
13		V203-000120	2	BOLT,5	L=60		
14		V104-000810	1	GASKET,EXHAUST	NP7002 T:1.0		
15		V203-000280	1	BOLT,5			
16		A300-000640	1	MUFFLER, EXHAUST	CAT25X26DEF STAY		
17		145862-40630	1	SCREEN, MUFFLER			
18		A313-000860	1	GUIDE, EXHAUST			
19		91367-04010	3	SCREW	4*10/SW(SUS)		
20		V104-000790	1	GASKET,EXHAUST			
21		V150-001760	1	PLATE,EYE			
22		92280-05000	2	WASHER, NORD-LOCK	NL5 5.4*9*1.8		
23		900500-00005	2	NUT 5	5		
24		A320-000400	1	COVER,MUFFLER			

### 3. Air Cleaner, Carburetor, Muffler



KEY	LV	PART NUMBER	Q'TY	DESCRIPTION	REMARKS	NOTE1	NOTE2
25		X505-002310	1	LABEL,CAUTION	HOT CAUTION		
26		162014-27230	1	LEAD, GROUND			
27		900242-05010	1	SCREW 5*10	5*10		
28		A127-000150	1	COVER,DUST			
29		900106-05016	1	BOLT, H.S. 5*16	5*16		

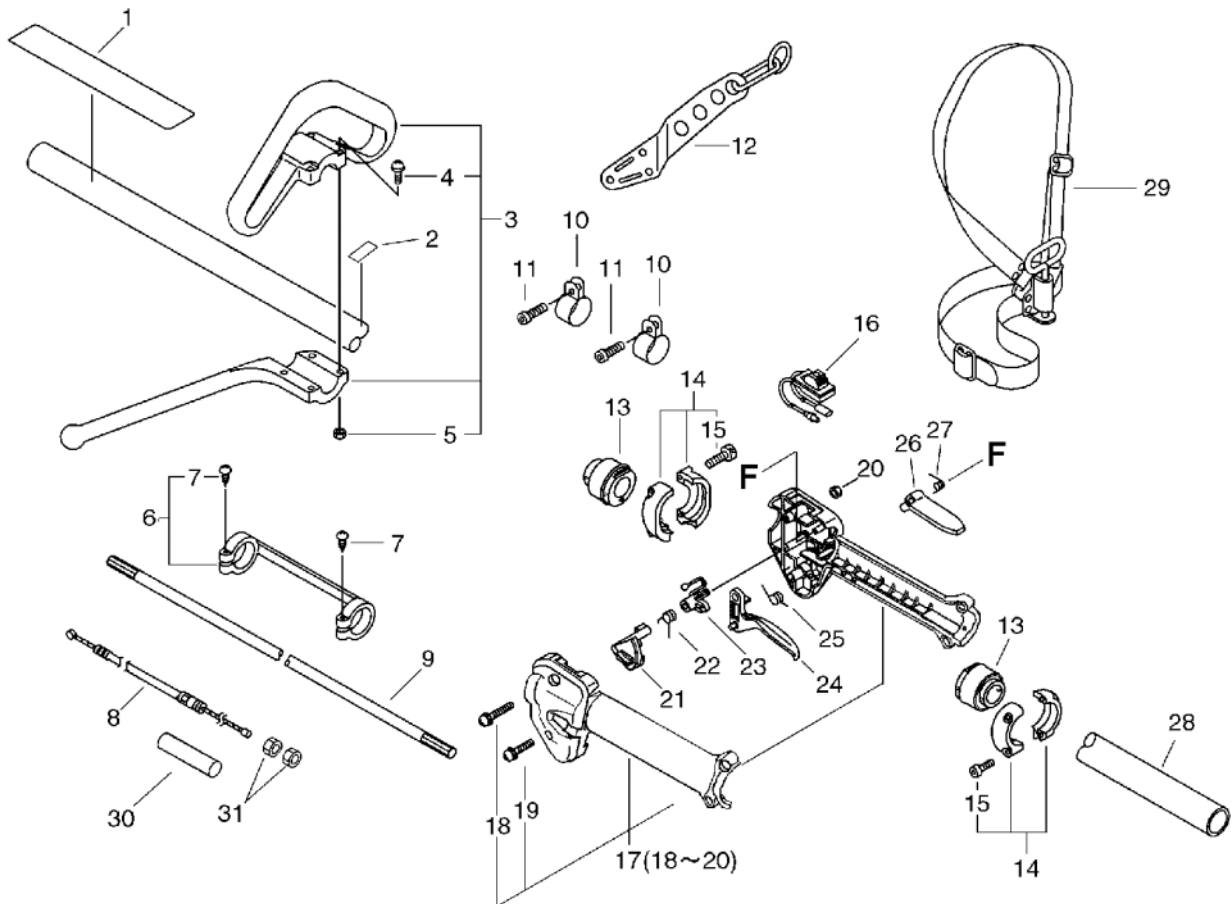
## 4. Fuel Tank



KEY	LV	PART NUMBER	Q'TY	DESCRIPTION	REMARKS	NOTE1	NOTE2
1		P021-012210	1	CAP,FUEL ASY			
2	+	131016-55830	1	GASKET, FUEL CAP			
3	+	A365-000060	1	CONNECTOR,CAP	L=123		
4		A350-000500	1	TANK, FUEL			
5		A356-000030	1	VALVE,CHECK			
6		132013-26630	1	CLIP	6.5MM		
7		V471-000110	1	PIPE	3*6*115		
8		132115-55930	1	GROMMET, FUEL			
9		132013-09820	1	CLIP	6MM		
10		131205-19830	1	STRAINER, FUEL		Sus. by 131205-19831	
10		131205-19831	1	STRAINER, FUEL			
11		V470-000580	1	PIPE	3*5*195		
12		132012-56030	1	PIPE	3*6*80 YL		

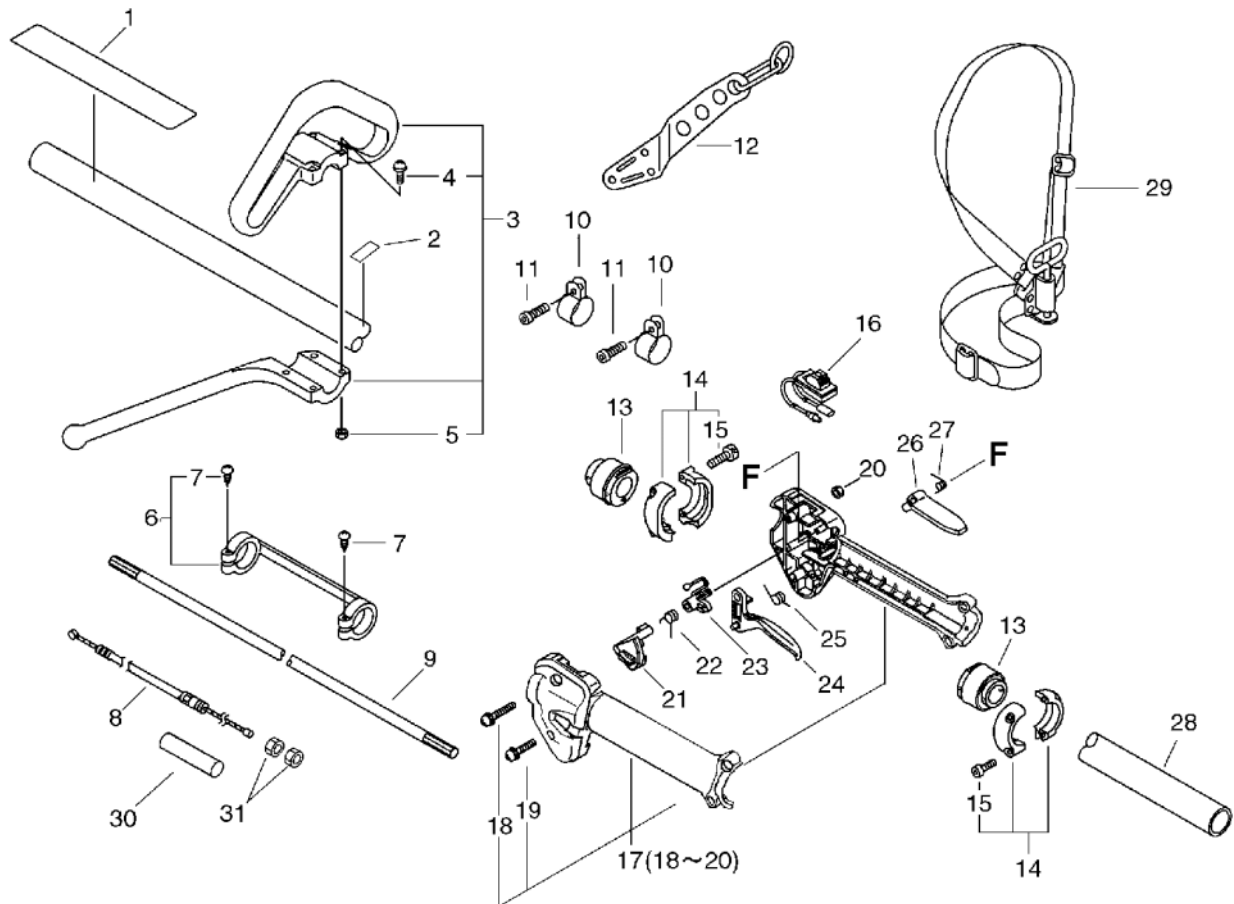


## 5. L-Handle



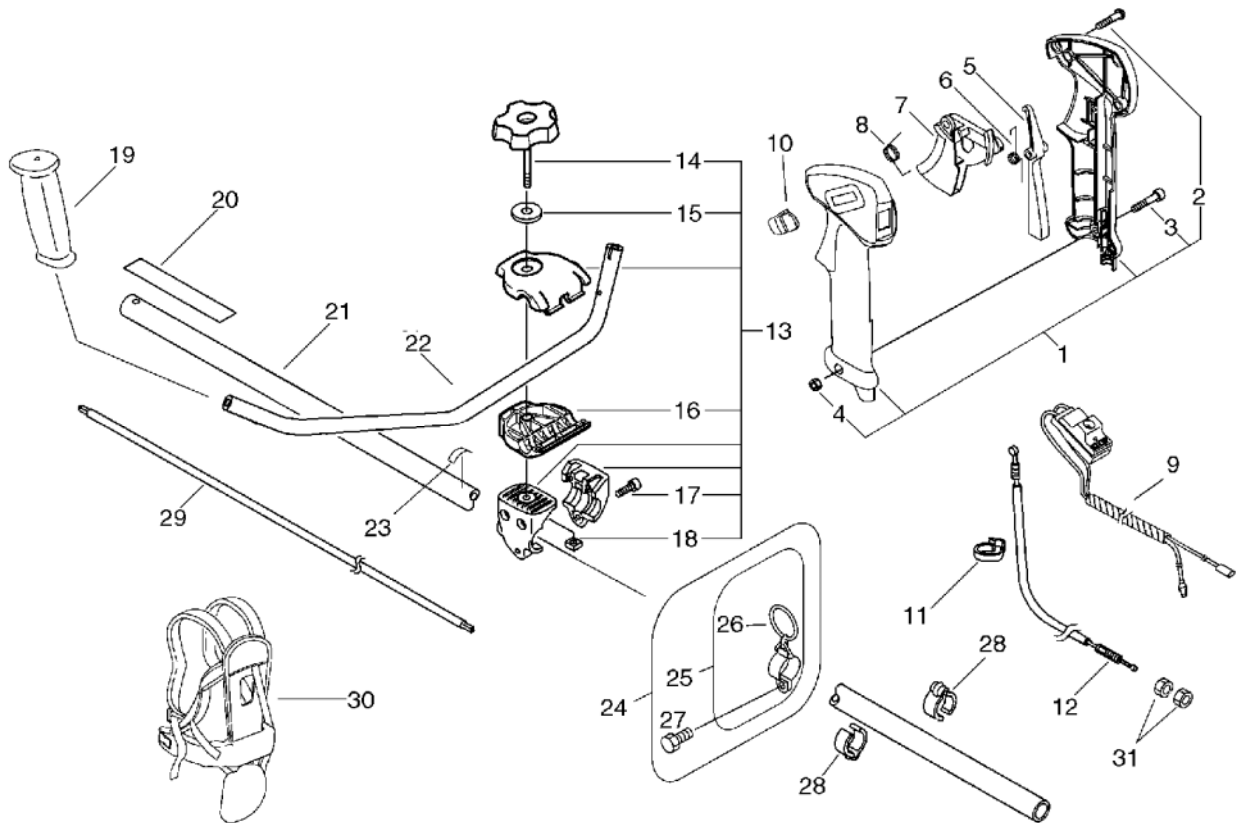
KEY	LV	PART NUMBER	Q'TY	DESCRIPTION	REMARKS	NOTE1	NOTE2
1		890617-43130	1	LABEL,CAUTION			
2		890152-04930	1	LABEL, CAUTION			
3		P021-013540	1	FRONT HANDLE ASY			
4	+	91118-05035	4	BOLT			
5	+	900500-00005	4	NUT 5	5		
6		610281-54130	1	COLLER		Sus. by 610281-54131	
6		610281-54131	1	COLLER			
7	+	900253-04025	2	SCREW 4*25	4*25		
8		V430-002070	1	CABLE,BOWDEN			
9		C504-000050	1	SHAFT,DRIVE	7*1540		
10		V495-001010	2	BAND			
11		91118-05014	2	BOLT			
12		C624-000020	1	HANGER,HARNES			
13		V420-000960	2	CUSHION			
14		P021-012630	1	BRACKET ASM. HANDLE			
15	+	91118-05025	4	BOLT	CM-5*25		
16		163400-49330	1	SWITCH, IGNITION			
17		P021-013560	1	BRACKET SET,THROTTLE			
18	+	91118-05035	1	BOLT			
19	+	91118-05025	3	BOLT	CM-5*25		
20		900500-00005	4	NUT 5	5		
21		C461-000010	2	LATCH,THROTTLE			
22		V452-000120	1	SPRING,TORSION			
23		C461-000000	1	LATCH,THROTTLE			
24		C450-000110	1	TRIGGER,THROTTLE			

## 5. L-Handle



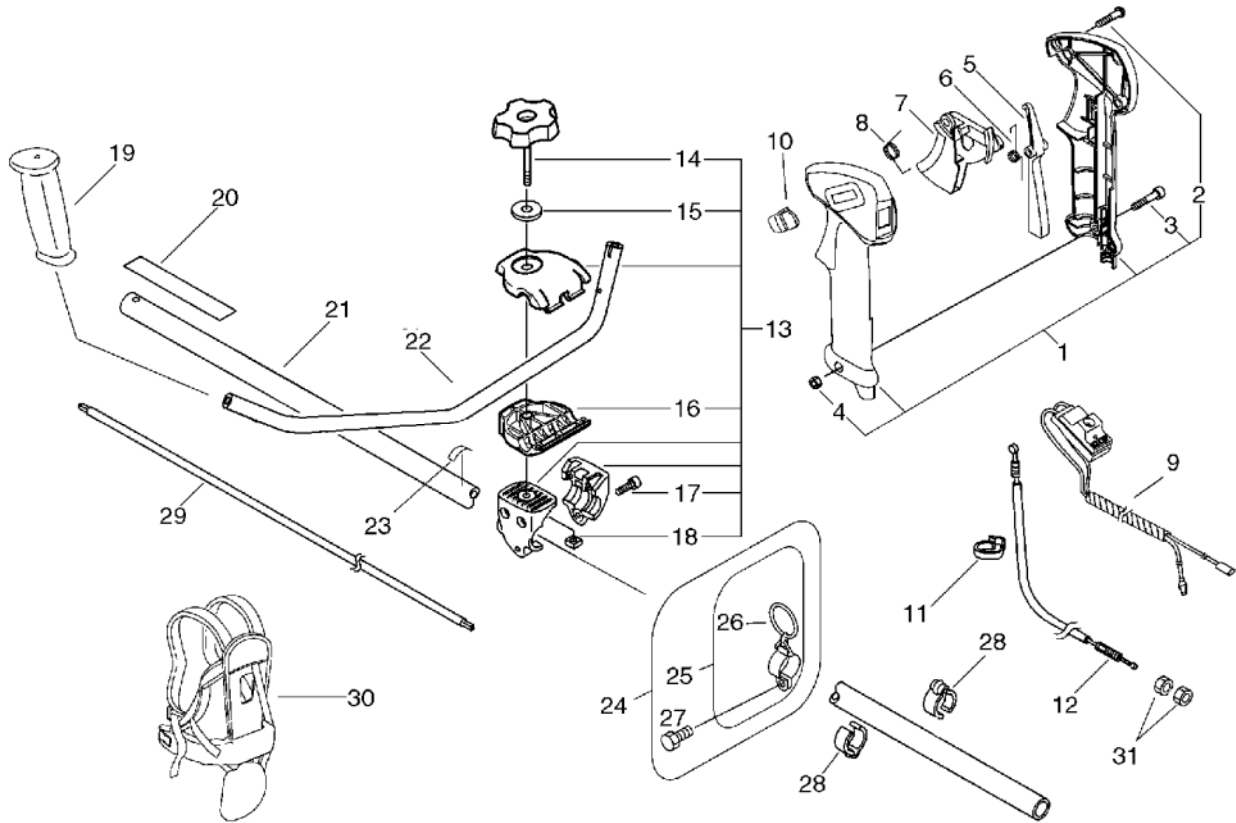
KEY	LV	PART NUMBER	Q'TY	DESCRIPTION	REMARKS	NOTE1	NOTE2
25		178043-42230	1	SPRING, THR. RETURN			
26		178090-52632	1	LOCKOUT, T. CONTROL			
27		178013-52630	1	SPRING, THR. LOCK			
28		C050-000870	1	PIPE, MAIN			
29		301001-46731	1	HARNESS, SHOULDER	L1910,L1550		
30		V475-000850	1	TUBE	7*200		
31		900502-00006	2	NUT 6 (3N)	3N6		

## 6. U-Handle



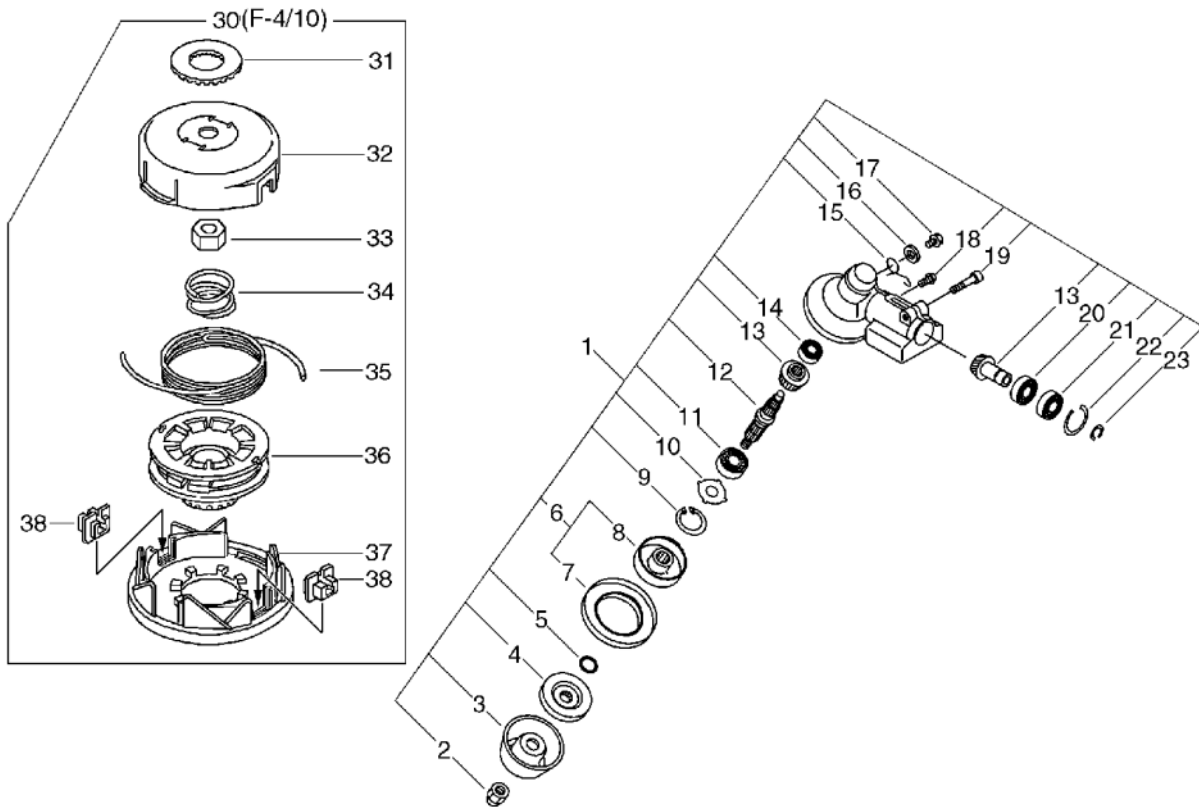
KEY	LV	PART NUMBER	Q'TY	DESCRIPTION	REMARKS	NOTE1	NOTE2
1		P021-014090	1	GRIP ASY,F-HANDLE			
2	+	900256-04016	3	SCREW 4*16	4*16		
3	+	91119-05030	1	BOLT			
4	+	900500-00005	1	NUT 5	5		
5		C460-000110	1	LOCKOUT, THROTTLE		Sus. by C460-000111	
5		C460-000111	1	LOCKOUT, THROTTLE	70MM		
6		V452-000350	1	SPRING,TORSION			
7		C450-000270	1	CONTROL, THROTTLE			
8		V452-000360	1	SPRING,TORSION			
9		P021-042300	1	SWITCH,ON OFF			
10		C463-000020	1	KNOB, LATCH			
11		159112-09961	1	CLIP			
12		V430-002080	1	CABLE,BOWDEN			
13		P021-012820	1	FIXTURE,ASY HANDLE	SRM-2655SI		
14	+	V299-000110	1	KNOB,FASTENER			
15	+	605014-54230	1	WASHER			
16	+	C423-000030	1	FIXTURE,HANDLE			
17	+	91118-05030	3	BOLT			
18	+	900565-50008	1	NUT	8*1.25		
19		C403-000031	1	GRIP,HANDLE			
20		890617-43130	1	LABEL,CAUTION			
21		C050-000870	1	PIPE, MAIN			
22		C400-000211	1	HANDLE,FRONT			
23		890152-04930	1	LABEL, CAUTION			
24		P021-013580	1	RING, HARNESS KIT			

## 6. U-Handle



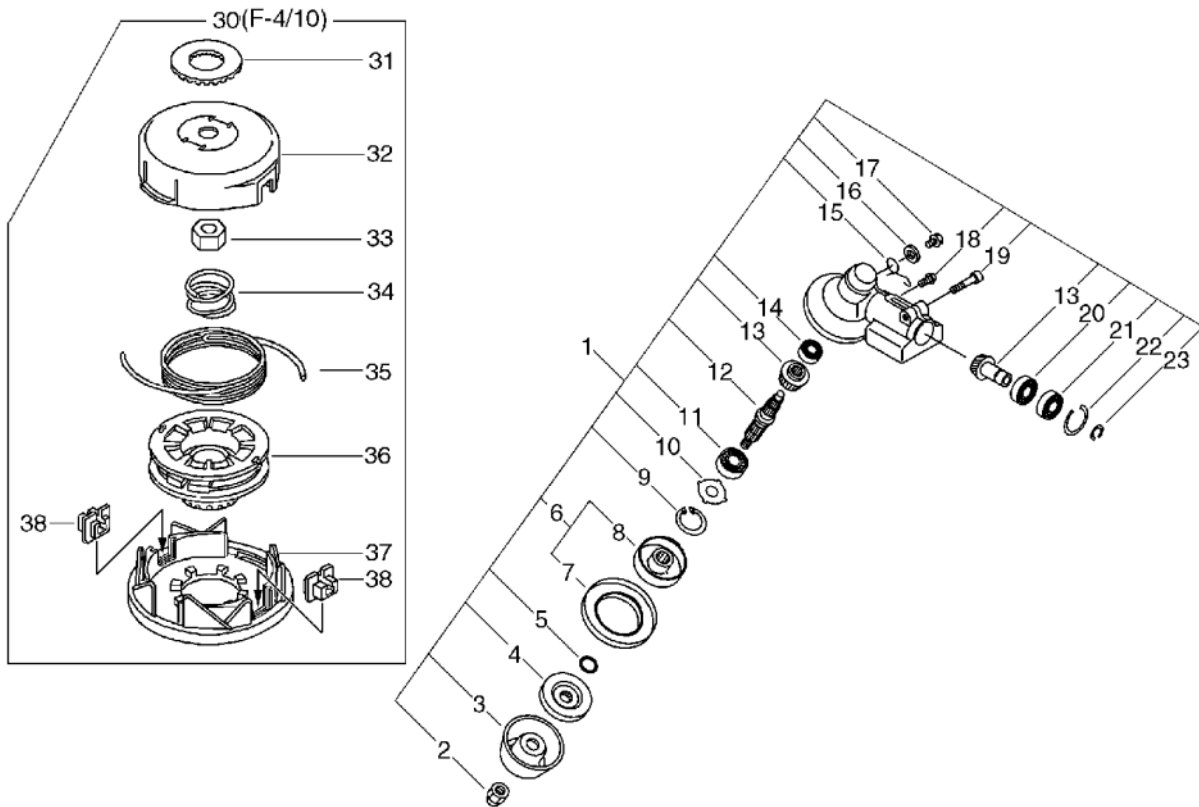
KEY	LV	PART NUMBER	Q'TY	DESCRIPTION	REMARKS	NOTE1	NOTE2
25	+	301200-21330	1	HOOK ASS'Y			
26	++	301015-05330	1	HOOK, BAND			
27	+	91121-05012	1	BOLT, FLANGE	10.9 SILVER		
28		224924-52130	2	CLIP	25MM		
29		C504-000050	1	SHAFT,DRIVE	7*1540		
30		C062-000181	1	HARNESS,SHOULDER			
31		900502-00006	2	NUT 6 (3N)	3N6		

## 7. L-Gear Case



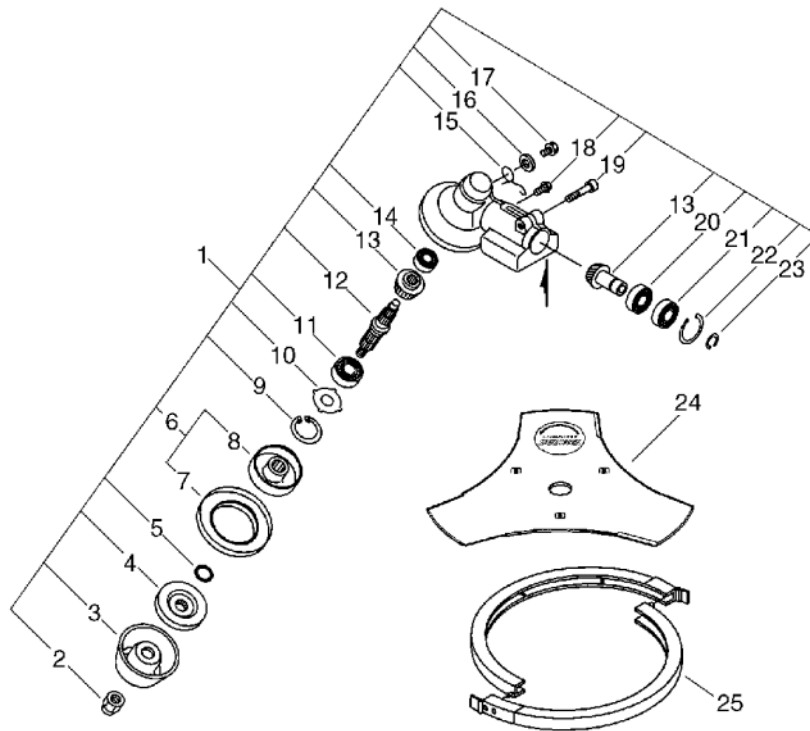
KEY	LV	PART NUMBER	Q'TY	DESCRIPTION	REMARKS	NOTE1	NOTE2
1		P021-012600	1	CASE,GEAR		Sus. by P021-012601	
1		P021-012601	1	CASE,GEAR			
2	+	610320-52130	1	NUT 10			
3	+	699229-56830	1	PLATE, COVER			
4	+	610314-52130	1	PLATE, ADAPTER (L)			
5	+	900720-00012	1	O-RING 12	P-12		
6	+	C535-000001	1	FIXTURE,BLADE			
7	++	610352-56830	1	PLATE, CUP			
8	++	C535-000011	1	FIXTURE,BLADE			
9	+	900702-00032	1	CIRCLIP 32	CR-32		
10	+	610444-56830	1	WASHER			
11	+	900812-06201	1	BEARING, BALL 6201	6201DDU(LLU)		
12	+	610310-56830	1	SHAFT, P.T.O.		Sus. by 610310-56831	
12	+	610310-56831	1	SHAFT, P.T.O.			
13	+	V000-000040	1	GEAR SET, BEVEL			
14	+	900810-00626	1	BEARING, BALL 626	626		
15	+	610473-52131	1	SPRING			
16	+	900603-50008	1	WASHER	8.5*18*0.8T		
17	+	610434-50031	1	BOLT 8* 8	M8*8		
18	+	900242-05010	1	SCREW 5*10	5*10		
19	+	91118-06025	1	BOLT			
20	+	900855-06900	1	BEARING, BALL 6900	6900		
21	+	900858-06900	1	BEARING, BALL 6900Z	6900Z		
22	+	900702-00022	1	CIRCLIP 22	CR-22		

## 7. L-Gear Case



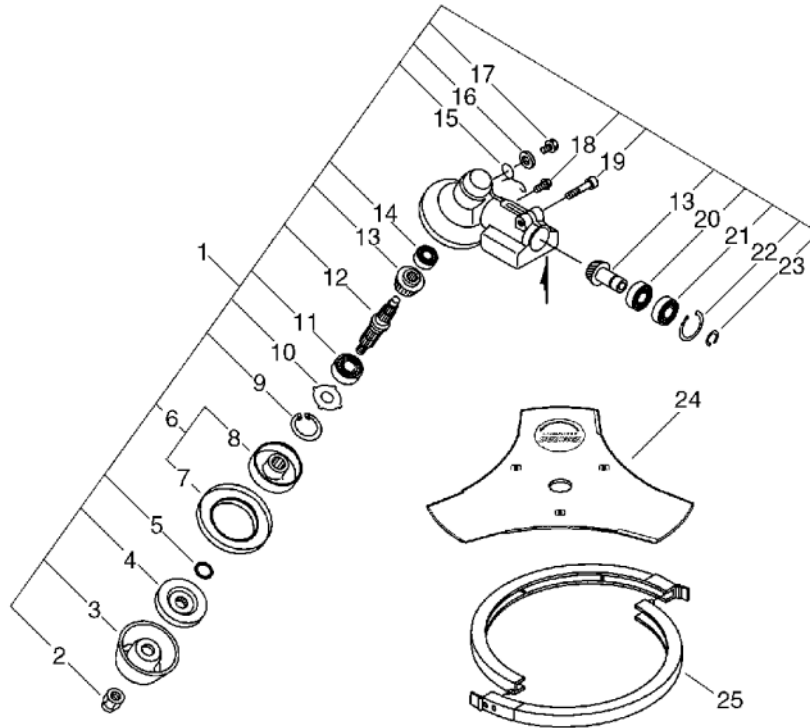
KEY	LV	PART NUMBER	Q'TY	DESCRIPTION	REMARKS	NOTE1	NOTE2
23	+	900706-00010	1	CIRCLIP 10	WR-10		
30		X047-000270	1	CUTTER,ASM LINE	F4/10 M10L		
31	+	V332-000000	1	WASHER,CIRCULAR 24			
32	+	P022-003310	1	HOUSING			
33	+	P022-001220	1	NUT			
34	+	P022-001250	1	SPRING	DS-3/10		
35	+	P022-006190	1	NYLON CODE	3.0*2M		
36	+	P022-001260	1	BOBBIN	DS-3/10		
37	+	P022-003330	1	COVER			
38	+	P022-000710	2	EYELET	T4		

## 8. U-Gear Case



KEY	LV	PART NUMBER	Q'TY	DESCRIPTION	REMARKS	NOTE1	NOTE2
1		P021-012600	1	CASE,GEAR		Sus. by P021-012601	
1		P021-012601	1	CASE,GEAR			
2	+	610320-52130	1	NUT 10			
3	+	699229-56830	1	PLATE, COVER			
4	+	610314-52130	1	PLATE, ADAPTER (L)			
5	+	900720-00012	1	O-RING 12	P-12		
6	+	C535-000001	1	FIXTURE,BLADE			
7	+	610352-56830	1	PLATE, CUP			
8	+	C535-000011	1	FIXTURE,BLADE			
9	+	900702-00032	1	CIRCLIP 32	CR-32		
10	+	610444-56830	1	WASHER			
11	+	900812-06201	1	BEARING, BALL 6201	6201DDU(LLU)		
12	+	610310-56830	1	SHAFT, P.T.O.		Sus. by 610310-56831	
12	+	610310-56831	1	SHAFT, P.T.O.			
13	+	V000-000040	1	GEAR SET, BEVEL			
14	+	900810-00626	1	BEARING, BALL 626	626		
15	+	610473-52131	1	SPRING			
16	+	900603-50008	1	WASHER	8.5*18*0.8T		
17	+	610434-50031	1	BOLT 8* 8	M8*8		
18	+	900242-05010	1	SCREW 5*10	5*10		
19	+	91118-06025	1	BOLT			
20	+	900855-06900	1	BEARING, BALL 6900	6900		
21	+	900858-06900	1	BEARING, BALL 6900Z	6900Z		
22	+	900702-00022	1	CIRCLIP 22	CR-22		

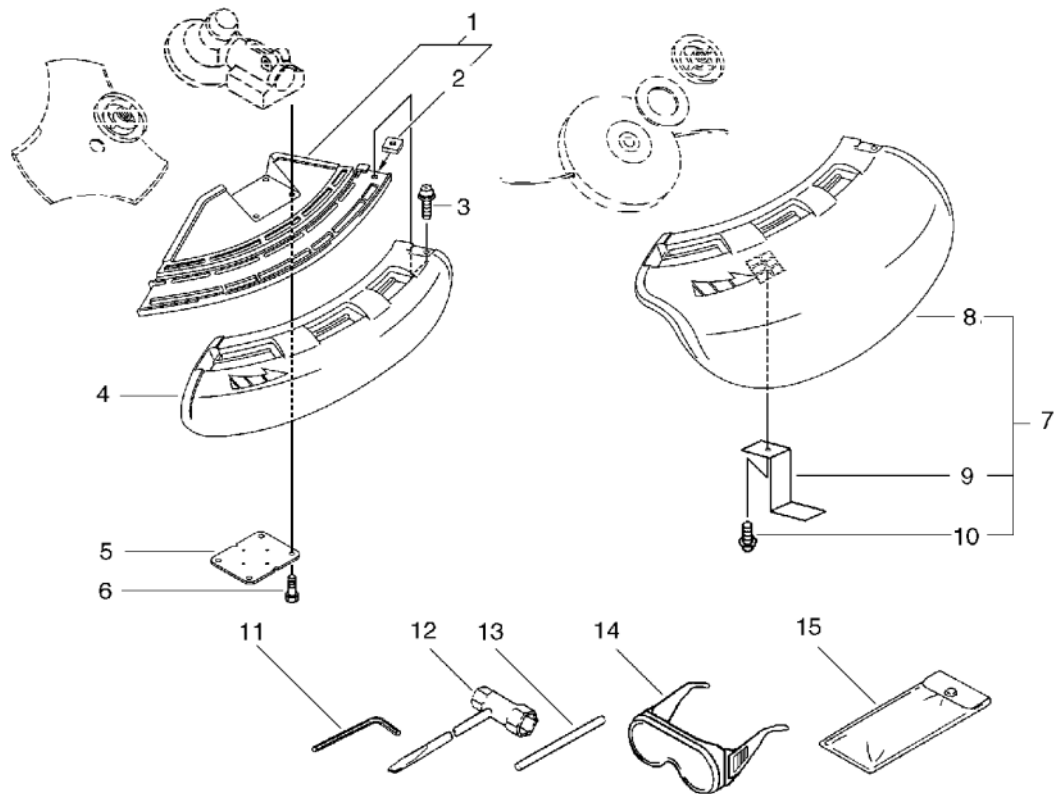
## 8. U-Gear Case



KEY	LV	PART NUMBER	Q'TY	DESCRIPTION	REMARKS	NOTE1	NOTE2
23	+	900706-00010	1	CIRCLIP 10	WR-10		
24		X405-000001	1	SAW,BUSH CUTTER	3*255*25.4*T2.0		
25		P021-007470	1	SCABBARD,BLADE			

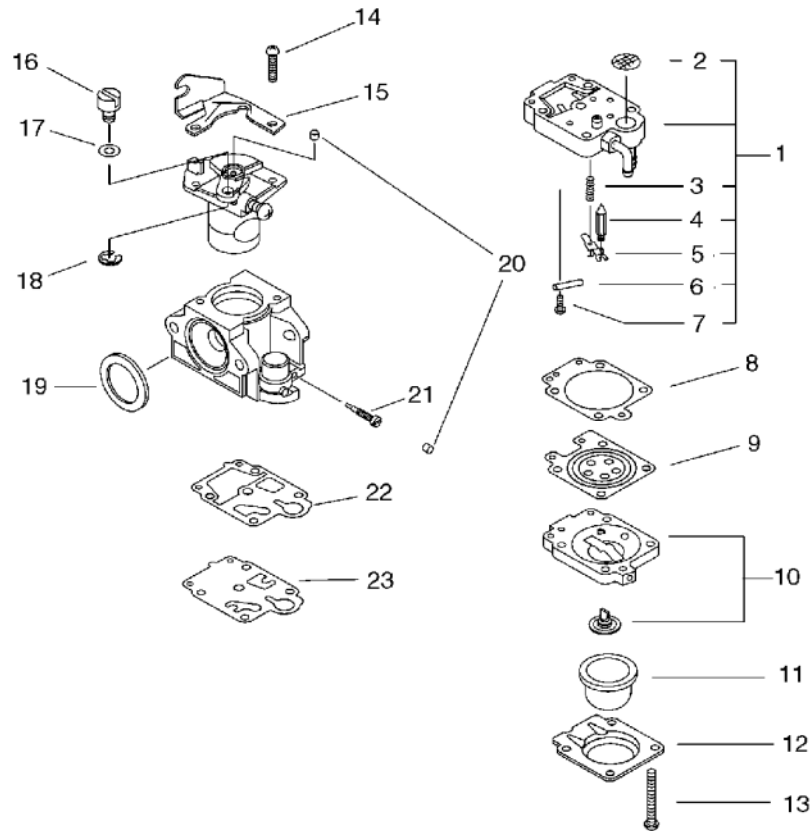


## 9. Blade Shield, Tools



KEY	LV	PART NUMBER	Q'TY	DESCRIPTION	REMARKS	NOTE1	NOTE2
1		C550-000100	1	SHIELD, BLADE			
2	+	900565-00005	1	NUT	5		
3		91118-05018	1	BOLT	CM-5*18		
4		C550-000090	1	SHIELD, BLADE			
5		699013-56830	1	PLATE, SHIELD			
6		91118-05025	4	BOLT	CM-5*25		
7		P021-013770	1	SHIELD KIT			
8	+	C550-000080	1	SHIELD, BLADE			
9	+	C554-000030	1	KNIFE, CORD	17INCH		
10	+	900252-05012	1	SCREW 5*12	5*12		
11		895610-00130	1	L-WRENCH (4MM)			
12		X602-000020	1	TOOL, WRENCH	17*19 L200		
13		897518-01131	1	LOCKING TOOL			
14		P021-002861	1	GOGGLES			
15		898510-07130	1	BAG, TOOL			

## 10. Carburettor



KEY	LV	PART NUMBER	Q'TY	DESCRIPTION	REMARKS	NOTE1	NOTE2
		A021-001340	1	CARBURETOR,DIAPHRAGM	WYK-233A		
1	+	P003-000440	1	BODY ASY, PUMP			
2	++	123126-10631	1	SCREEN, INLET			
3	++	P003-000450	1	SPRING, METER. LEVER			
4	++	123137-19830	1	VALVE, INLET NEEDLE			
5	++	123123-03930	1	LEVER, METERING			
6	++	123138-03930	1	PIN, METERING LEVER			
7	++	123139-05560	1	SCREW, M. LEVER PIN			
8	+	123140-05560	1	GASKET, M. DIAPHRAGM			
9	+	P003-001850	1	DIAPHRAGM, METERING			
10	+	123180-05560	1	BODY, AIR PURGE			
11	+	123181-40630	1	PUMP, PRIMER			
12	+	123142-05560	1	COVER, PRIMER PUMP			
13	+	123110-05560	4	SCREW, PUMP COVER			
14	+	123114-40630	2	SCREW			
15	+	P003-000180	1	BRACKET CABLE			
16	+	123172-45130	1	SWIVEL			
17	+	123149-54230	1	WASHER			
18	+	123173-07930	1	CLIP			
19	+	123143-12110	1	RING, PACKING			
20	+	A259-000000	2	CAP,LIMITER	WALBRO 88-265		
21	+	P003-001130	1	NEEDLE, HIGH SPEED			
22	+	P003-000100	1	GASKET, PUMP			
23	+	123112-40630	1	DIAPHRAGM, PUMP			

**Index**

<b>Patrs Number</b>	<b>Key No.</b>	<b>Patrs Number</b>	<b>Key No.</b>	<b>Patrs Number</b>	<b>Key No.</b>
100012-16131	1 - 14	605014-54230	6 - 15	900515-00008	2 - 8
100013-35430	1 - 12	610281-54130	5 - 6	900565-00005	9 - 2
100015-03931	1 - 11	610281-54131	5 - 6	900565-50008	6 - 18
100142-12330	1 - 33	610310-56830	7 - 12	900603-50008	7 - 16
100212-03930	1 - 17	610310-56830	8 - 12	900603-50008	8 - 16
100215-03930	1 - 29	610310-56831	7 - 12	900701-00012	1 - 24
123110-05560	10 - 13	610310-56831	8 - 12	900702-00022	7 - 22
123112-40630	10 - 23	610314-52130	7 - 4	900702-00022	8 - 22
123114-40630	10 - 14	610314-52130	8 - 4	900702-00028	1 - 27
123123-03930	10 - 5	610320-52130	7 - 2	900702-00032	1 - 19
123126-10631	10 - 2	610320-52130	8 - 2	900702-00032	7 - 9
123137-19830	10 - 4	610352-56830	7 - 7	900702-00032	8 - 9
123138-03930	10 - 6	610352-56830	8 - 7	900706-00010	7 - 23
123139-05560	10 - 7	610434-50031	7 - 17	900706-00010	8 - 23
123140-05560	10 - 8	610434-50031	8 - 17	900720-00012	7 - 5
123142-05560	10 - 12	610444-56830	7 - 10	900720-00012	8 - 5
123143-12110	10 - 19	610444-56830	8 - 10	900807-06001	1 - 26
123149-54230	10 - 17	610473-52131	7 - 15	900810-00626	7 - 14
123172-45130	10 - 16	610473-52131	8 - 15	900810-00626	8 - 14
123173-07930	10 - 18	699013-56830	9 - 5	900812-06201	7 - 11
123180-05560	10 - 10	699229-56830	7 - 3	900812-06201	8 - 11
123181-40630	10 - 11	699229-56830	8 - 3	900855-06900	7 - 20
131016-55830	4 - 2	890152-04930	5 - 2	900855-06900	8 - 20
131205-19830	4 - 10	890152-04930	6 - 23	900858-06900	7 - 21
131205-19831	4 - 10	890332-52730	3 - 11	900858-06900	8 - 21
132012-56030	4 - 12	890617-43130	5 - 1	91118-05014	5 - 11
132013-09820	4 - 9	890617-43130	6 - 20	91118-05018	9 - 3
132013-26630	4 - 6	895610-00130	9 - 11	91118-05025	5 - 15
132115-55930	4 - 8	897518-01131	9 - 13	91118-05025	5 - 19
145862-40630	3 - 17	898510-07130	9 - 15	91118-05025	9 - 6
159011-03432	2 - 6	900106-05016	3 - 29	91118-05030	6 - 17
159012-03433	2 - 5	900106-05020	1 - 25	91118-05035	5 - 4
159112-09961	6 - 11	900106-05025	1 - 32	91118-05035	5 - 18
162014-27230	3 - 26	900106-05030	3 - 3	91118-06025	7 - 19
163400-49330	5 - 16	900162-05020	2 - 3	91118-06025	8 - 19
175046-56030	2 - 10	900242-05010	3 - 27	91119-05030	6 - 3
175048-05530	2 - 13	900242-05010	7 - 18	91121-05010	1 - 5
175049-56030	2 - 11	900242-05010	8 - 18	91121-05012	6 - 27
177220-40630	2 - 25	900242-05060	3 - 8	91121-05020	2 - 33
177227-42030	2 - 29	900252-05012	9 - 10	91128-05025	1 - 7
177228-27030	2 - 28	900253-04025	5 - 7	91128-05028	1 - 18
177236-61830	2 - 21	900256-04016	6 - 2	91367-04010	3 - 19
178013-52630	5 - 27	900500-00005	3 - 23	92280-05000	3 - 22
178043-42230	5 - 25	900500-00005	5 - 5	94035-36201	1 - 21
178090-52632	5 - 26	900500-00005	5 - 20	A011-000470	1 - 15
224924-52130	6 - 28	900500-00005	6 - 4	A021-001340	10 -
301001-46731	5 - 29	900502-00006	5 - 31	A021-001340	3 - 5
301015-05330	6 - 26	900502-00006	6 - 31	A051-001210	2 - 20
301200-21330	6 - 25	900502-00008	2 - 19	A052-000180	2 - 15

**Index**

<b>Patrs Number</b>	<b>Key No.</b>	<b>Patrs Number</b>	<b>Key No.</b>	<b>Patrs Number</b>	<b>Key No.</b>
A101-000170	1 - 10	P003-000100	10 - 22	V203-000120	3 - 13
A127-000150	3 - 28	P003-000180	10 - 15	V203-000280	2 - 31
A130-000800	1 - 6	P003-000440	10 - 1	V203-000280	3 - 15
A160-000800	1 - 3	P003-000450	10 - 3	V203-000290	1 - 1
A162-000110	1 - 2	P003-001130	10 - 21	V299-000110	6 - 14
A175-000040	2 - 32	P003-001850	10 - 9	V299-000250	3 - 12
A200-000270	3 - 2	P021-002861	9 - 14	V306-000200	1 - 13
A226-000350	3 - 9	P021-007470	8 - 25	V323-000070	2 - 34
A232-000360	3 - 10	P021-010730	1 - 9	V332-000000	7 - 31
A244-000070	3 - 7	P021-010741	1 - 16	V420-000960	5 - 13
A259-000000	10 - 20	P021-012210	4 - 1	V420-001400	1 - 31
A300-000640	3 - 16	P021-012600	7 - 1	V430-002070	5 - 8
A313-000860	3 - 18	P021-012600	8 - 1	V430-002080	6 - 12
A320-000400	3 - 24	P021-012601	7 - 1	V452-000120	5 - 22
A350-000500	4 - 4	P021-012601	8 - 1	V452-000350	6 - 6
A356-000030	4 - 5	P021-012630	5 - 14	V452-000360	6 - 8
A365-000060	4 - 3	P021-012820	6 - 13	V470-000580	4 - 11
A409-000290	2 - 9	P021-013540	5 - 3	V471-000110	4 - 7
A411-000310	2 - 2	P021-013560	5 - 17	V475-000850	5 - 30
A411-000311	2 - 2	P021-013580	6 - 24	V485-000810	2 - 1
A425-000000	2 - 7	P021-013770	9 - 7	V495-001010	5 - 10
A506-000030	2 - 24	P021-013820	3 - 6	V505-000020	1 - 22
A553-000050	2 - 12	P021-013900	1 - 30	X047-000270	7 - 30
A556-000420	1 - 28	P021-014090	6 - 1	X405-000001	8 - 24
A566-000020	2 - 14	P021-014330	1 - 23	X502-000330	2 - 30
C050-000870	5 - 28	P021-042300	6 - 9	X505-002310	3 - 25
C050-000870	6 - 21	P022-000710	7 - 38	X547-000940	1 - 4
C062-000181	6 - 30	P022-001220	7 - 33	X602-000020	9 - 12
C400-000211	6 - 22	P022-001250	7 - 34		
C403-000031	6 - 19	P022-001260	7 - 36		
C423-000030	6 - 16	P022-002100	2 - 16		
C450-000110	5 - 24	P022-003310	7 - 32		
C450-000270	6 - 7	P022-003330	7 - 37		
C460-000110	6 - 5	P022-006190	7 - 35		
C460-000111	6 - 5	P022-006510	2 - 17		
C461-000000	5 - 23	P022-006850	2 - 18		
C461-000010	5 - 21	P022-008270	2 - 23		
C463-000020	6 - 10	P022-008280	2 - 22		
C504-000050	5 - 9	P022-022010	2 - 27		
C504-000050	6 - 29	P022-022110	2 - 26		
C535-000001	7 - 6	V000-000040	7 - 13		
C535-000001	8 - 6	V000-000040	8 - 13		
C535-000011	7 - 8	V100-000201	1 - 8		
C535-000011	8 - 8	V102-000030	1 - 20		
C550-000080	9 - 8	V103-000160	3 - 4		
C550-000090	9 - 4	V103-000380	3 - 1		
C550-000100	9 - 1	V104-000790	3 - 20		
C554-000030	9 - 9	V104-000810	3 - 14		
C624-000020	5 - 12	V150-001760	3 - 21		

# YAMABIKO CORPORATION

7-2 SUEHIROCHO 1-CHOME, OHME, TOKYO 198-8760, JAPAN  
PHONE: 81-428-32-6118. FAX: 81-428-32-6145.

