



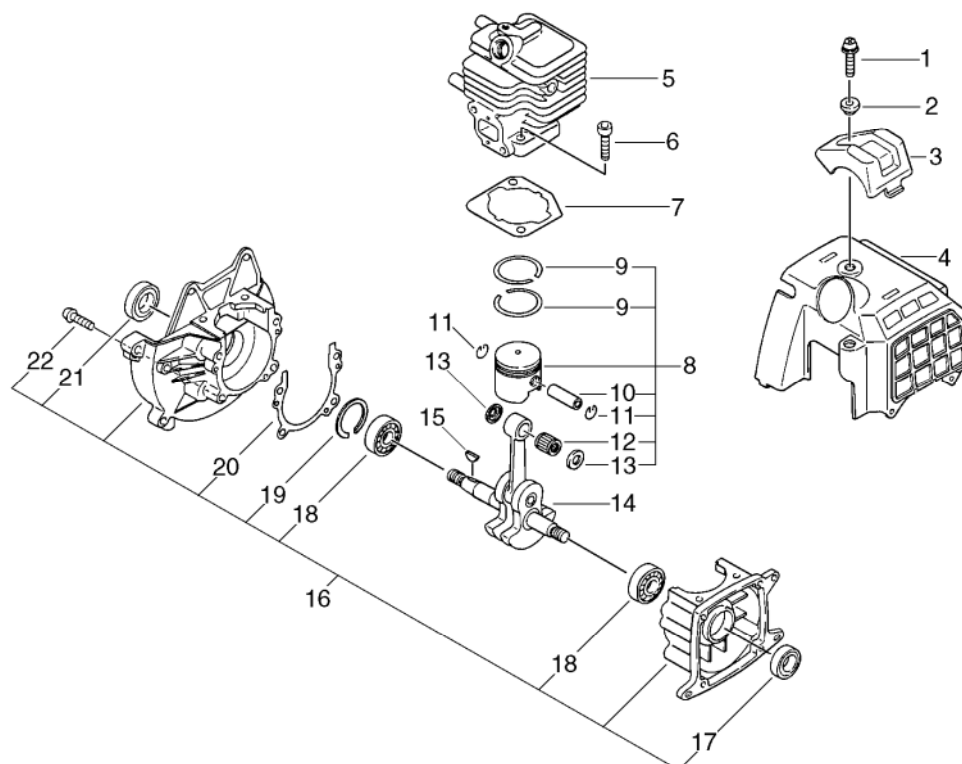
# **PARTS CATALOGUE**

## **GRASS-TRIMMER / BRUSHCUTTER**

### **SRM-270/U(20)**

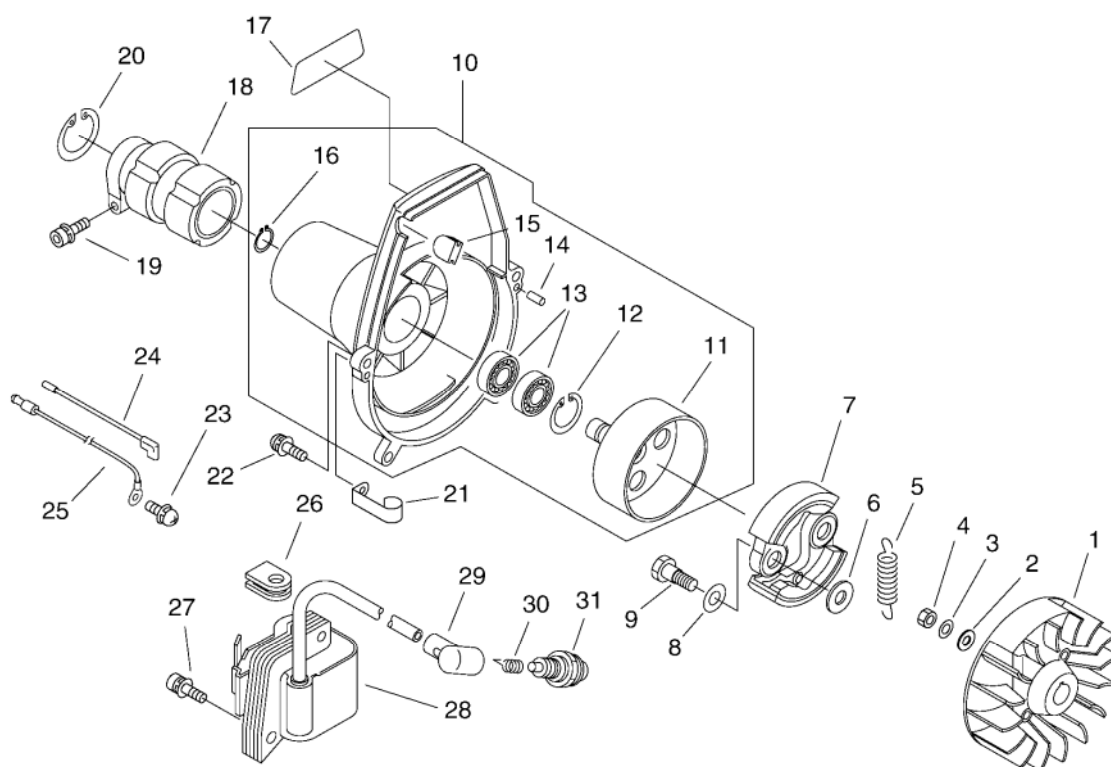
**20000001 -**

# 1. CYLINDER, CRANKCASE, PISTON



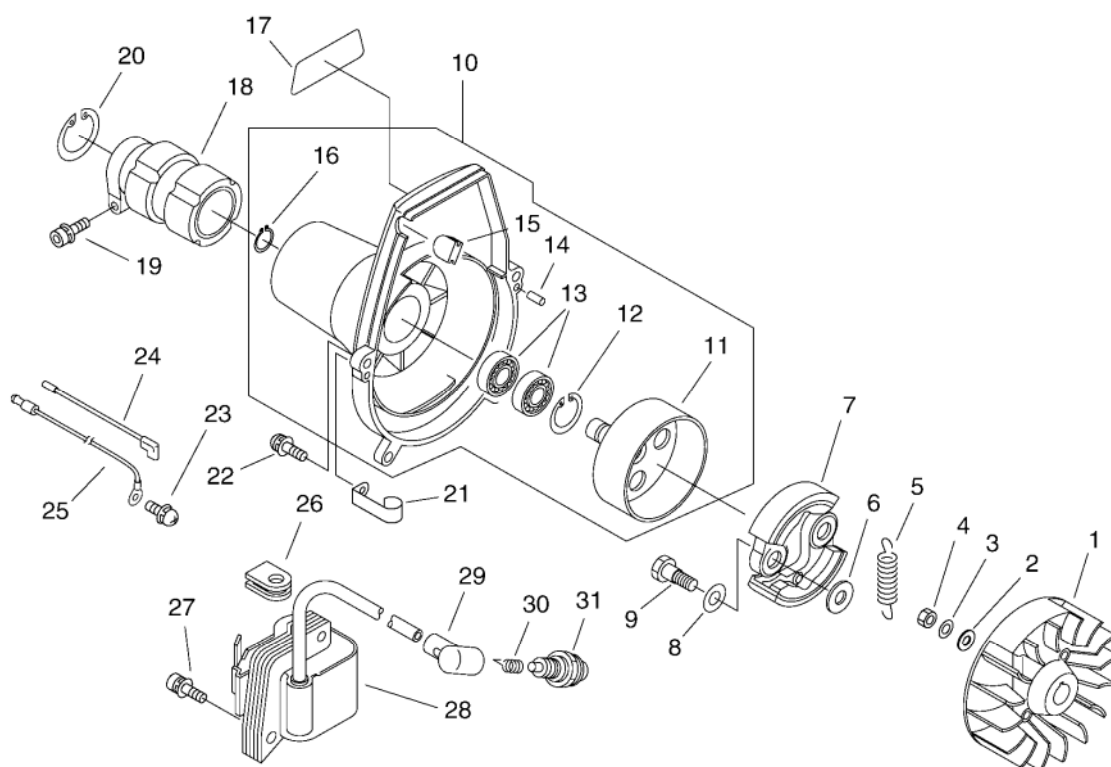
KEY	LV	PART NUMBER	Q'TY	DESCRIPTION	REMARKS	NOTE1	NOTE2
1		91121-05020	1	BOLT, FLANGE	10.9 SILVER		
2		V353-000020	1	COLLAR,5	12*5.5*4.5L		
3		159905-55930	1	GUARD, TOP			
4		A160-000220	1	COVER,CYLINDER			
5		101034-56532	1	CYLINDER			
6		900162-05022	4	BOLT, H.S. 5*22	5*22 W,SW		
7		101010-56030	1	GASKET, CYL. BASE			
8		P021-000371	1	PISTON KIT			
9	+	A101-000010	2	RING,PISTON			
10	+	V606-000000	1	PIN,ENG 8	5*8*28		
11	+	100015-04630	2	CIRCLIP, PISTON PIN			
12	+	V553-000020	1	BEARING,NEEDLE 8	KBK8X11X8.8X4		
13	+	100014-55930	2	SPACER, PISTON PIN			
14		100100-56033	1	CRANKSHAFT			
15		100142-12330	1	KEY, WOODRUFF			
16		100204-56232	1	CRANKCASE KIT			
17	+	100213-05530	1	OILSEAL	ISCD 12 22 7		
18	+	900800-36001	2	BEARING, BALL 6001	6001/C3		
19	+	900702-00028	1	CIRCLIP 28	CR-28		
20	+	100242-55930	1	GASKET, CRANKCASE			
21	+	100212-28230	1	OILSEAL ISCD 12*28*7	ISCD 12*28*7		
22	+	900162-05025	4	BOLT, H.S. 5*25	5*25 W,SW		

## 2. MAGNETO



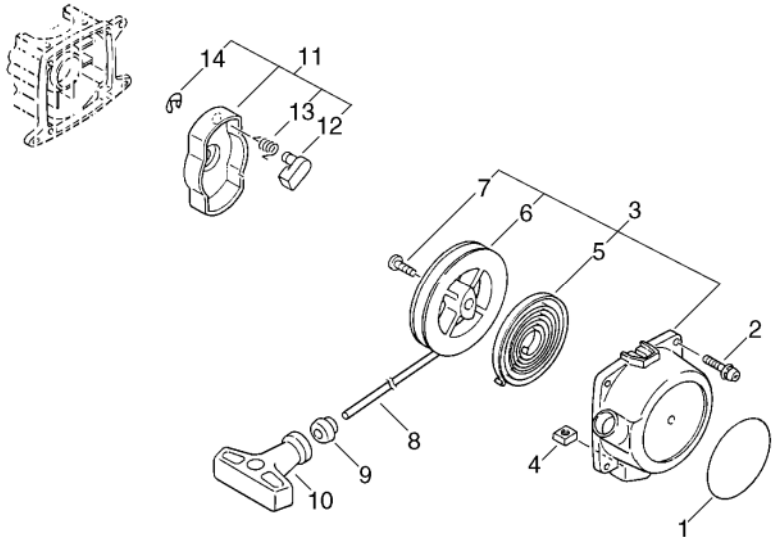
KEY	LV	PART NUMBER	Q'TY	DESCRIPTION	REMARKS	NOTE1	NOTE2
1		152801-55930	1	ROTOR, MAGNET			
2		900600-00008	1	WASHER 8	8		
3		900605-00008	1	WASHER, SPRING 8	8		
4		900502-00008	1	NUT 8 (3N)	3N8		
5		175018-05533	1	SPRING, CLUTCH			
6		175048-05530	2	WASHER (I)	6.2*19*1.0		
7		175009-55931	2	SHOE, CLUTCH			
8		175049-56030	2	WASHER	8.5*16*0.5		
9		175046-56030	2	SHAFT, CLUTCH			
10		101503-56032	1	COVER ASY, FAN			
11	+	A556-000560	1	DRUM, CLUTCH			
12	+	900702-00026	1	CIRCLIP 26	CR-26		
13	+	900807-06000	2	BEARING, BALL 6000LB	6000LB/2A		
14	+	100215-03930	2	PIN, DOWEL			
15	+	101538-28230	1	GROMMET, PLUG			
16	+	900701-00010	1	CIRCLIP 10	CS-10		
17		X547-000950	1	LABEL, ECHO	ECHO+SRM-270		
18		610922-55931	1	HOLDER, MAIN PIPE			
19		91118-05028	1	BOLT	CM-5*28		
20		900702-00042	1	CIRCLIP 42	CR-42		
21		178111-06230	1	CLIP			
22		91118-05018	2	BOLT			
23		900242-05010	1	SCREW 5*10			
24		162010-56430	1	LEAD, GROUND	145L		
25		162014-52930	1	LEAD, GROUND			
26		156112-40630	1	GROMMET			

## 2. MAGNETO



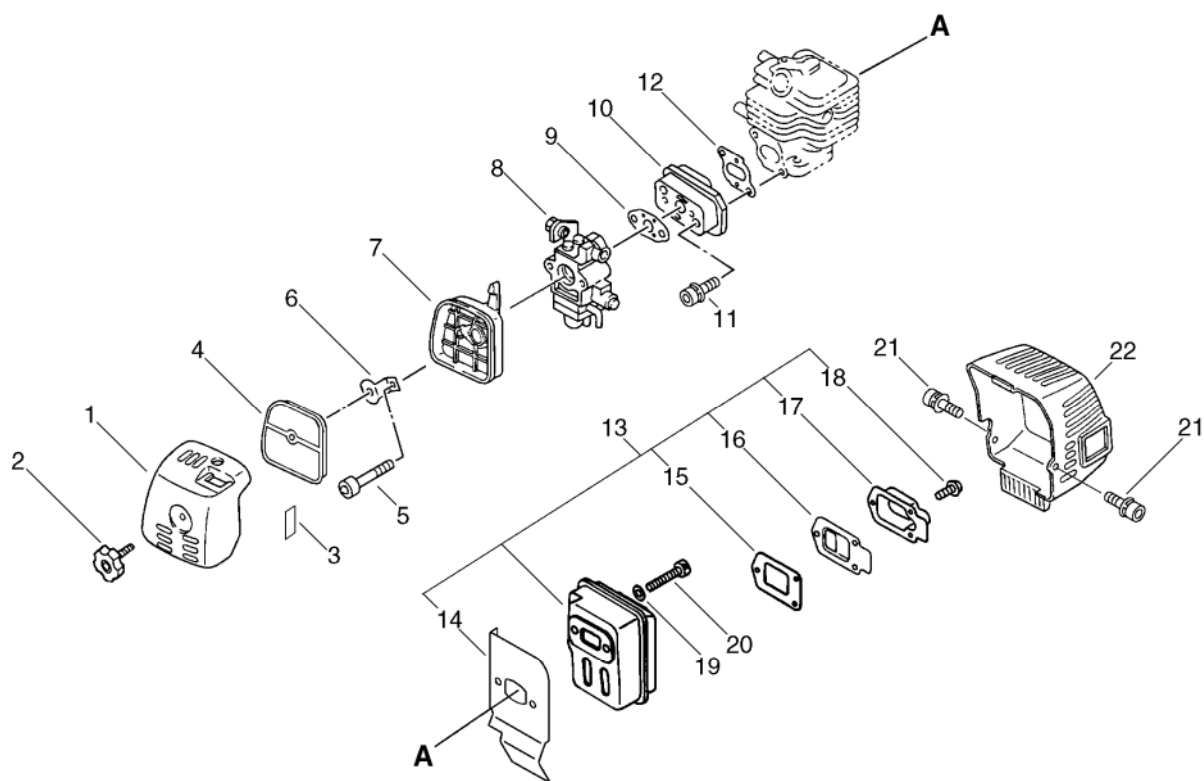
KEY	LV	PART NUMBER	Q'TY	DESCRIPTION	REMARKS	NOTE1	NOTE2
27		900162-05022	2	BOLT, H.S. 5*22	5*22 W,SW		
28		152626-56032	1	COIL, IGNITION			
29		159012-03433	1	CAP, SPARK PLUG			
30		159011-03432	1	COIL, SPARK PLUG			
31		159010-10630	1	PLUG, SPARK (BPM-7A)	BPM-7A		

3. RECOIL STARTER



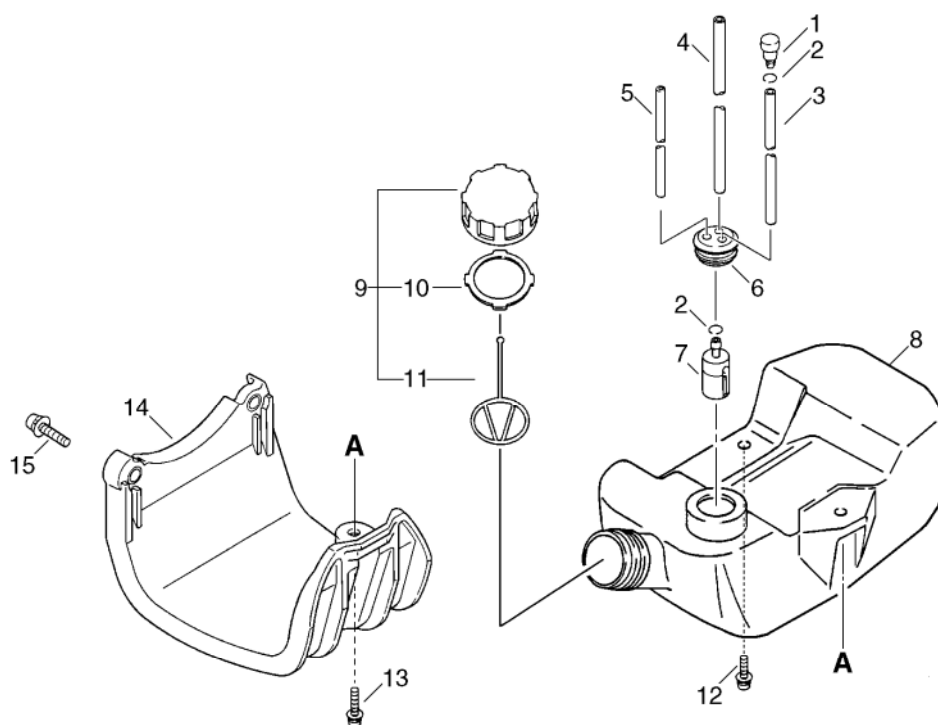
KEY	LV	PART NUMBER	Q'TY	DESCRIPTION	REMARKS	NOTE1	NOTE2
1		X502-000330	1	LABEL,ECHO	ECHO		
2		91118-04014	4	BOLT	CM-4*14		
4		900502-00008	1	NUT 8 (3N)	3N8		
3		177200-55931	1	STARTER ASY			
5	+	177220-40630	1	SPRING, REWIND			
6	+	177215-40630	1	DRUM, STARTER			
7	+	177236-44330	1	SCREW			
8	+	177226-61830	1	ROPE, STARTER	3*800		
9	+	177227-42030	1	GUIDE, ROPE			
10	+	177228-27030	1	GRIP, STARTER			
11		177202-40630	1	PAWL ASSY, STARTER			
12	+	177218-40630	1	PAWL, STARTER	WHITE		
13	+	177234-40630	1	SPRING, RETURN			
14	+	900700-00004	1	E-RING 4	CE-4		

## 4. AIR CLEANER, MUFFLER



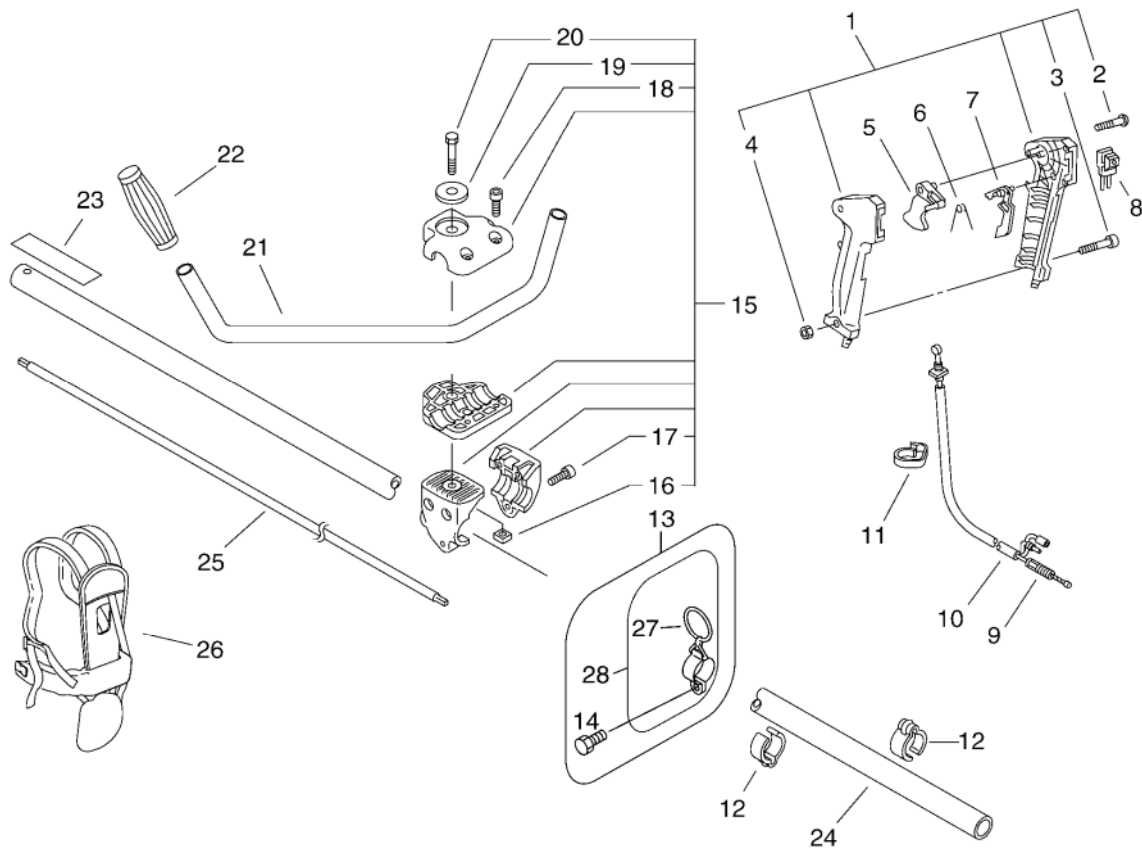
KEY	LV	PART NUMBER	Q'TY	DESCRIPTION	REMARKS	NOTE1	NOTE2
1		130313-57732	1	LID, CLEANER	ID#3410		
2		130406-52131	1	KNOB, FASTENER			
3		890332-52730	1	LABEL, CHOKE			
4		130310-51830	1	FILTER, AIR			
5		900242-05055	2	SCREW 5*55 (W/W.SW)	5*55		
6		129011-57731	1	PLATE, PRVENT			
7		130307-57730	1	CASE, AIR CLEANER			
8		123000-57731	1	CARBURETOR	WYJ-192A		
9		130010-13410	1	GASKET, INTAKE			
10		130017-56431	1	INSULATOR			
11		900162-05025	2	BOLT, H.S. 5*25	5*25 W, SW		
12		130010-55930	1	GASKET, INTAKE			
13		145802-65831	1	MUFFLER ASY			
14	+	145510-55932	1	GASKET, MUFFLER			
15	+	145866-42031	1	GASKET, MUFFLER LID			
16	+	145876-42030	1	LID, MUFFLER (B)			
17	+	145818-52130	1	GUIDE, EXHAUST			
18	+	900238-04010	3	SCREW 4*10	4*10		
19		900600-00005	2	WASHER 5	5		
20		900105-05055	2	BOLT, H.S. 5*55	5*55		
21		91118-05012	2	BOLT	CM-5*12		
22		145621-57731	1	COVER, MUFFLER			

## 5. FUEL TANK



KEY	LV	PART NUMBER	Q'TY	DESCRIPTION	REMARKS	NOTE1	NOTE2
1		131300-56431	1	VENT ASSEMBLY, FUEL			
2		132013-26630	2	CLIP	6.5MM		
3		437217-20760	1	PIPE 3*6*100	3*6*100 NBR		
4		132010-52030	1	PIPE	3*6*170 NBR		
5		437215-20760	1	PIPE 3*6*60	3*6*60 YL		
6		132115-55930	1	GROMMET, FUEL			
7		131205-19831	1	STRAINER, FUEL			
8		131005-56532	1	TANK, FUEL			
9		131004-55530	1	CAP ASSY, FUEL TANK			
10	+	131016-55830	1	GASKET, FUEL CAP			
11	+	131051-56030	1	CLIP, FUEL CAP	100L		
12		900239-05016	2	SCREW 5*16	5*16		
13		900244-05020	1	SCREW	5*20		
14		305110-57733	1	STAND			
15		91118-05022	2	BOLT			

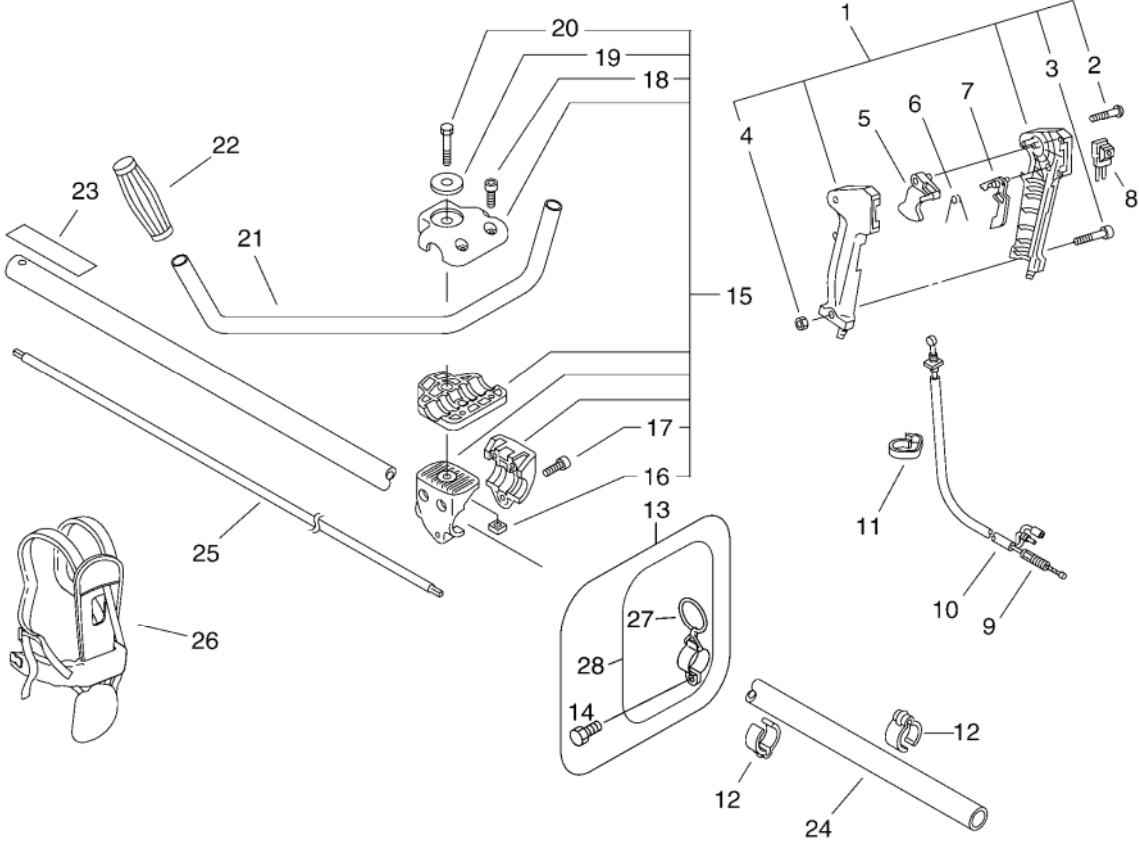
## 6. HANDLE



KEY	LV	PART NUMBER	Q'TY	DESCRIPTION	REMARKS	NOTE1	NOTE2
1		351102-47530	1	GRIP ASSY, F-HANDLE			
2	+	900246-03025	4	SCREW 3*25	3*25		
3	+	900220-05030	1	SCREW 5*30	5*30		
4	+	900500-00005	1	NUT 5	5		
5		178010-05960	1	CONTROL, THROTTLE			
6		178013-35631	1	SPRING, THR. LOCK			
7		178012-05960	1	LOCKOUT, THROTTLE			
8		163401-43130	1	SWITCH, IGNITION			
9		178001-59230	1	CABLE, THROTTLE			
10		V475-000000	1	TUBE	7*790		
11		159112-09961	1	CLIP			
12		224924-52130	2	CLIP	25MM		
13		P021-013000	1	RING, HARNESS ASSY	SRM-2655SI		
14	+	91119-05012	1	BOLT			
27	++	301015-05330	1	HOOK, BAND			
28	+	301200-21330	1	HOOK ASS'Y			
15		P021-012791	1	FIXTURE,ASY HANDLE	SRM-270U		
16	+	900565-50008	1	NUT			
17	+	91118-05030	3	BOLT			
18	+	91118-05020	2	BOLT	CM-5*20		
19	+	605014-54230	1	WASHER			
20	+	351421-52130	1	BOLT			
21		C400-000211	1	HANDLE,FRONT			
22		351311-02330	1	GRIP, HANDLE			
23		890617-43130	1	LABEL,CAUTION			
24		610206-23030	1	HOUSING ASS'Y, D.SFT			

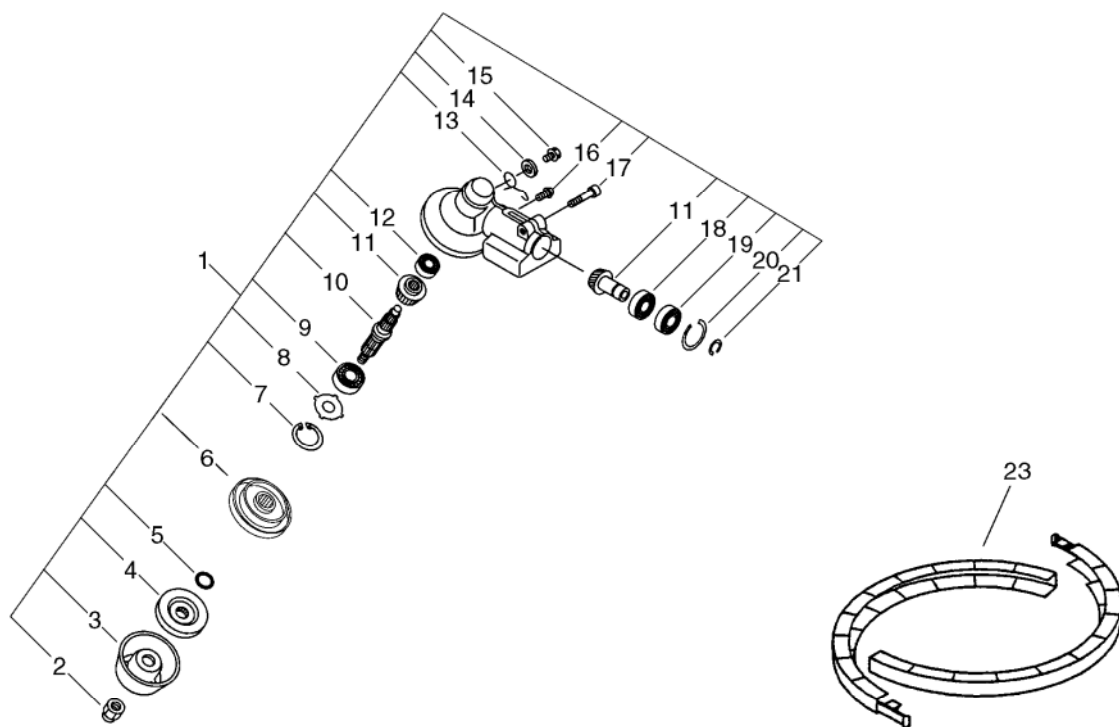


6. HANDLE



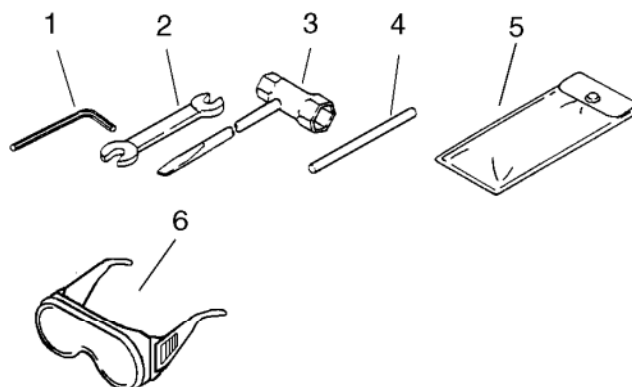
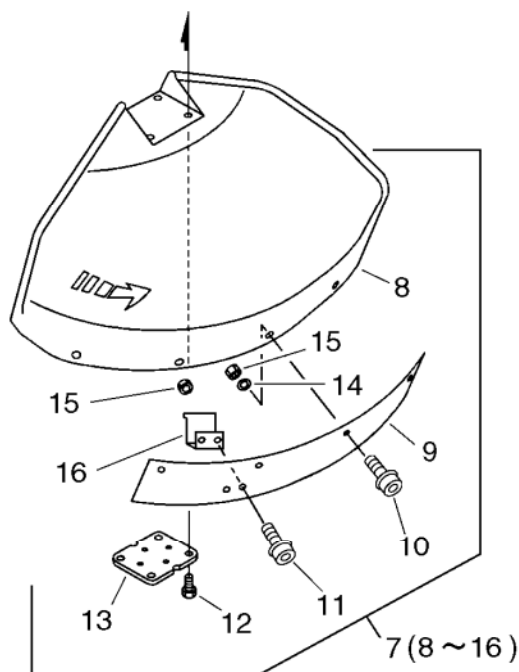
KEY	LV	PART NUMBER	Q'TY	DESCRIPTION	REMARKS	NOTE1	NOTE2
25		610011-25530	1	SHAFT, DRIVE			
26		C062-000192	1	HARNES,SHOULDER			

## 7. GEAR CASE



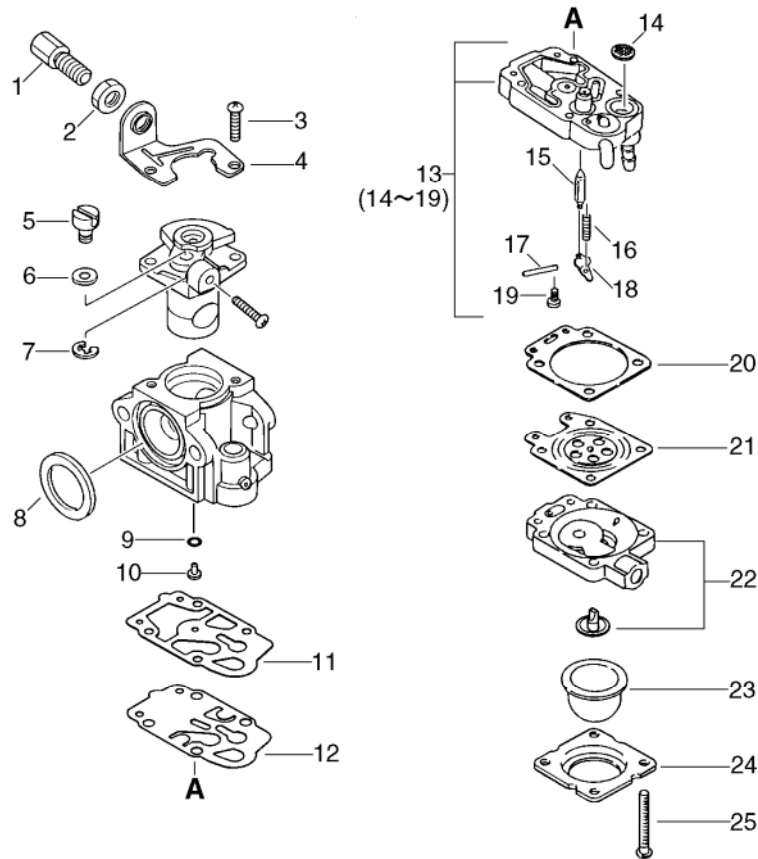
KEY	LV	PART NUMBER	Q'TY	DESCRIPTION	REMARKS	NOTE1	NOTE2
1		P021-012604	1	CASE,GEAR			
2	+	610320-52130	1	NUT 10			
3	+	699229-56830	1	PLATE, COVER			
4	+	610314-52130	1	PLATE, ADAPTER (L)			
5	+	900720-00012	1	O-RING 12	P-12		
6	+	610313-52932	1	FIXTURE, BLADE			
7	+	900702-00032	1	CIRCLIP 32	CR-32		
8	+	610444-56830	1	WASHER			
9	+	900812-06201	1	BEARING, BALL 6201	6201DDU(LLU)		
10	+	610310-56831	1	SHAFT, P.T.O.			
11	+	610300-25531	1	GEAR SET	7S		
12	+	94060-00626	1	BEARING, BALL			
13	+	V452-001310	1	SPRING, TORSION			
14	+	900603-50008	1	WASHER	8.5*18*0.8T		
15	+	610434-50031	1	BOLT 8*8	M8*8		
16	+	900242-05010	1	SCREW 5*10			
17	+	91118-06025	1	BOLT			
18	+	94060-06900	1	BEARING BALL	WEAPON BB6900		
19	+	94063-06900	1	BEARING BALL	WEAPON BB6900Z		
20	+	900702-00022	1	CIRCLIP 22	CR-22		
21	+	900706-00010	1	CIRCLIP 10	WR-10		
23		P021-007470	1	SCABBARD, BLADE			

## 8. BLADE COVER



KEY	LV	PART NUMBER	Q'TY	DESCRIPTION	REMARKS	NOTE1	NOTE2
1		X605-000100	1	TOOL,L WRENCH	4MM M5㉿		
2		895112-00330	1	SPANNER 8*10			
3		X602-000020	1	TOOL,WRENCH	17*19 L200		
4		X606-000080	1	TOOL,BAR	5*120		
5		898510-39130	1	BAG, TOOL			
6		X690-000050	1	GOGGLE	GOGGLE + NOTE		
7		P021-012621	1	SHIELD ASY			
8	+	699010-52931	1	SHIELD,BLADE			
9	+	699013-52130	1	PLATE, SHIELD			
10	+	91118-05018	4	BOLT			
11	+	91118-05014	2	BOLT			
12	+	V203-001980	4	BOLT,5			
13	+	C552-000200	1	PLATE, SHIELD			
14	+	900603-00005	4	WASHER 5	5.5*12*0.8		
15	+	900500-00005	6	NUT 5	5		
16	+	699016-54530	1	KNIFE			

## 9. CARBURETOR



KEY	LV	PART NUMBER	Q'TY	DESCRIPTION	REMARKS	NOTE1	NOTE2
		123000-57731	1	CARBURETOR	WYJ-192A		
1	+	123161-56431	1	SCREW, ADJUSTER			
2	+	123153-56430	1	NUT, ADJUSTER			
3	+	123114-40630	2	SCREW			
4	+	123128-54230	1	BRACKET, IDLE ADJUST			
5	+	123172-45130	1	SWIVEL			
6	+	123149-54230	1	WASHER			
7	+	123173-07930	1	CLIP			
8	+	123143-12110	1	RING, PACKING			
9	+	123183-40630	1	O-RING			
10	+	P003-000520	1	JET			
11	+	123125-40630	1	GASKET, PUMP			
12	+	123112-40630	1	DIAPHRAGM, PUMP			
13	+	123179-05560	1	BODY ASSY, PUMP			
14	++	123126-10631	1	SCREEN, INLET			
15	++	123137-19830	1	VALVE, INLET NEEDLE			
16	++	123122-05560	1	SPRING, METER. LEVER			
17	++	123138-03930	1	PIN, METERING LEVER			
18	++	123123-03930	1	LEVER, METERING			
19	++	123139-05560	1	SCREW, M. LEVER PIN			
20	+	123140-05560	1	GASKET, M. DIAPHRAGM			
21	+	P003-000090	1	METERING, DIAPHRAGM			
22	+	123180-05560	1	BODY, AIR PURGE			
23	+	123181-40630	1	PUMP, PRIMER			
24	+	123142-05560	1	COVER, PRIMER PUMP			
25	+	123110-05560	4	SCREW, PUMP COVER			

**Index**

<b>Patrs Number</b>	<b>Key No.</b>	<b>Patrs Number</b>	<b>Key No.</b>	<b>Patrs Number</b>	<b>Key No.</b>
100014-55930	1 - 13	131051-56030	5 - 11	351421-52130	6 - 20
100015-04630	1 - 11	131205-19831	5 - 7	437215-20760	5 - 5
100100-56033	1 - 14	131300-56431	5 - 1	437217-20760	5 - 3
100142-12330	1 - 15	132010-52030	5 - 4	605014-54230	6 - 19
100204-56232	1 - 16	132013-26630	5 - 2	610011-25530	6 - 25
100212-28230	1 - 21	132115-55930	5 - 6	610206-23030	6 - 24
100213-05530	1 - 17	145510-55932	4 - 14	610300-25531	7 - 11
100215-03930	2 - 14	145621-57731	4 - 22	610310-56831	7 - 10
100242-55930	1 - 20	145802-65831	4 - 13	610313-52932	7 - 6
101010-56030	1 - 7	145818-52130	4 - 17	610314-52130	7 - 4
101034-56532	1 - 5	145866-42031	4 - 15	610320-52130	7 - 2
101503-56032	2 - 10	145876-42030	4 - 16	610434-50031	7 - 15
101538-28230	2 - 15	152626-56032	2 - 28	610444-56830	7 - 8
123000-57731	4 - 8	152801-55930	2 - 1	610922-55931	2 - 18
123000-57731	9 -	156112-40630	2 - 26	699010-52931	8 - 8
123110-05560	9 - 25	159010-10630	2 - 31	699013-52130	8 - 9
123112-40630	9 - 12	159011-03432	2 - 30	699016-54530	8 - 16
123114-40630	9 - 3	159012-03433	2 - 29	699229-56830	7 - 3
123122-05560	9 - 16	159112-09961	6 - 11	890332-52730	4 - 3
123123-03930	9 - 18	159905-55930	1 - 3	890617-43130	6 - 23
123125-40630	9 - 11	162010-56430	2 - 24	895112-00330	8 - 2
123126-10631	9 - 14	162014-52930	2 - 25	898510-39130	8 - 5
123128-54230	9 - 4	163401-43130	6 - 8	900105-05055	4 - 20
123137-19830	9 - 15	175009-55931	2 - 7	900162-05022	1 - 6
123138-03930	9 - 17	175018-05533	2 - 5	900162-05022	2 - 27
123139-05560	9 - 19	175046-56030	2 - 9	900162-05025	1 - 22
123140-05560	9 - 20	175048-05530	2 - 6	900162-05025	4 - 11
123142-05560	9 - 24	175049-56030	2 - 8	900220-05030	6 - 3
123143-12110	9 - 8	177200-55931	3 - 3	900238-04010	4 - 18
123149-54230	9 - 6	177202-40630	3 - 11	900239-05016	5 - 12
123153-56430	9 - 2	177215-40630	3 - 6	900242-05010	2 - 23
123161-56431	9 - 1	177218-40630	3 - 12	900242-05010	7 - 16
123172-45130	9 - 5	177220-40630	3 - 5	900242-05055	4 - 5
123173-07930	9 - 7	177226-61830	3 - 8	900244-05020	5 - 13
123179-05560	9 - 13	177227-42030	3 - 9	900246-03025	6 - 2
123180-05560	9 - 22	177228-27030	3 - 10	900500-00005	6 - 4
123181-40630	9 - 23	177234-40630	3 - 13	900500-00005	8 - 15
123183-40630	9 - 9	177236-44330	3 - 7	900502-00008	2 - 4
129011-57731	4 - 6	178001-59230	6 - 9	900502-00008	3 - 4
130010-13410	4 - 9	178010-05960	6 - 5	900565-50008	6 - 16
130010-55930	4 - 12	178012-05960	6 - 7	900600-00005	4 - 19
130017-56431	4 - 10	178013-35631	6 - 6	900600-00008	2 - 2
130307-57730	4 - 7	178111-06230	2 - 21	900603-00005	8 - 14
130310-51830	4 - 4	224924-52130	6 - 12	900603-50008	7 - 14
130313-57732	4 - 1	301015-05330	6 - 27	900605-00008	2 - 3
130406-52131	4 - 2	301200-21330	6 - 28	900700-00004	3 - 14
131004-55530	5 - 9	305110-57733	5 - 14	900701-00010	2 - 16
131005-56532	5 - 8	351102-47530	6 - 1	900702-00022	7 - 20
131016-55830	5 - 10	351311-02330	6 - 22	900702-00026	2 - 12

**Index**

<b>Patrs Number</b>	<b>Key No.</b>	<b>Patrs Number</b>	<b>Key No.</b>	<b>Patrs Number</b>	<b>Key No.</b>
900702-00028	1 - 19				
900702-00032	7 - 7				
900702-00042	2 - 20				
900706-00010	7 - 21				
900720-00012	7 - 5				
900800-36001	1 - 18				
900807-06000	2 - 13				
900812-06201	7 - 9				
91118-04014	3 - 2				
91118-05012	4 - 21				
91118-05014	8 - 11				
91118-05018	2 - 22				
91118-05018	8 - 10				
91118-05020	6 - 18				
91118-05022	5 - 15				
91118-05028	2 - 19				
91118-05030	6 - 17				
91118-06025	7 - 17				
91119-05012	6 - 14				
91121-05020	1 - 1				
94060-00626	7 - 12				
94060-06900	7 - 18				
94063-06900	7 - 19				
A101-000010	1 - 9				
A160-000220	1 - 4				
A556-000560	2 - 11				
C062-000192	6 - 26				
C400-000211	6 - 21				
C552-000200	8 - 13				
P003-000090	9 - 21				
P003-000520	9 - 10				
P021-000371	1 - 8				
P021-007470	7 - 23				
P021-012604	7 - 1				
P021-012621	8 - 7				
P021-012791	6 - 15				
P021-013000	6 - 13				
V203-001980	8 - 12				
V353-000020	1 - 2				
V452-001310	7 - 13				
V475-000000	6 - 10				
V553-000020	1 - 12				
V606-000000	1 - 10				
X502-000330	3 - 1				
X547-000950	2 - 17				
X602-000020	8 - 3				
X605-000100	8 - 1				
X606-000080	8 - 4				
X690-000050	8 - 6				

# YAMABIKO CORPORATION

7-2 SUEHIROCHO 1-CHOME, OHME, TOKYO 198-8760, JAPAN  
PHONE: 81-428-32-6118. FAX: 81-428-32-6145.



11Fb  
No. 03-282